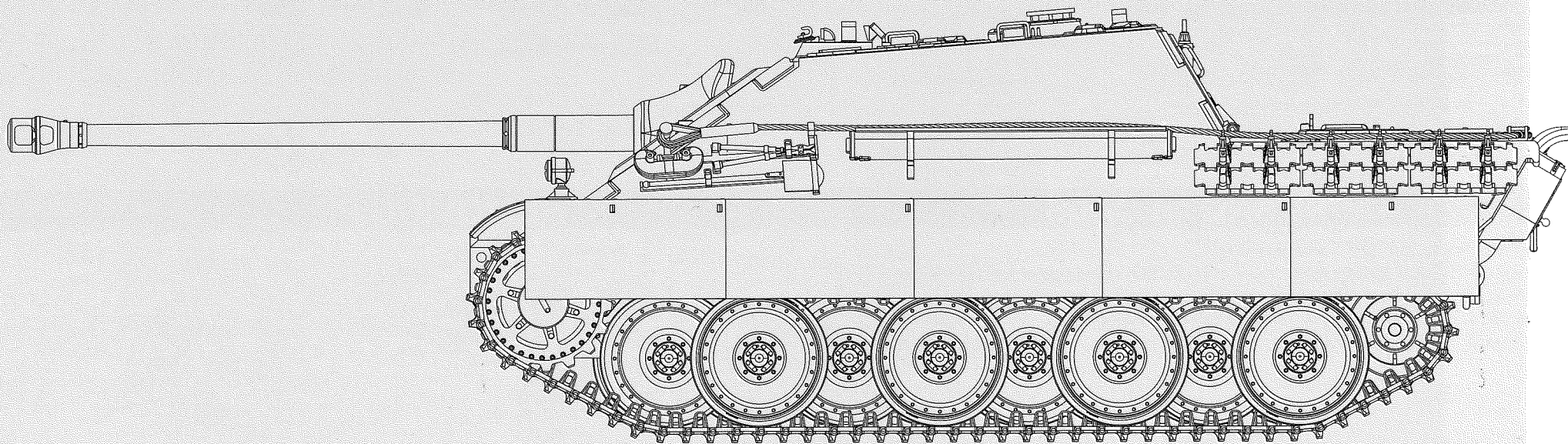


GERMAN TANK DESTROYER Sd.Kfz.173

# JAGDPANTHER G1



The 8.8cm Panzerjäger Panther Sd.Kfz. 173, or Jagdpanther, was a heavy tank destroyer based on the chassis of the Panzer V Panther and was armed with the same long-barreled 8.8 cm gun as the Tiger II or 'King Tiger', and a single 7.92 mm MG-34 machine gun in the front glacis plate for local defense. The Jagdpanther had a good power-to-weight ratio and a powerful main gun, which enabled it to destroy any Allied tank. Based on the existing Panther chassis, the vehicle did not suffer too many mechanical problems, and had an upgraded transmission and final drive to counter the Panther's main weakness. The Jagdpanther was powered by the 700hp Maybach HL230 P30 V-12 petrol engine and a 7 speed forward, 1-speed reverse transmission system with a maximum speed of 46 km/h (28.6 mph) and a range of about 200 kilometers (99 miles). It was manned by a crew of five: a driver, radio-operator, commander, gunner and a loader.

Two main variants can be distinguished, the earlier (1944 model) G1 with a small internally-bolted main gun mantlet and a modified Panther A engine deck, and the later (1945 model) G2 with a larger, externally-bolted mantlet and a modified Panther G engine deck, though late G1s also had a larger mantlet. Early Jagdpanthers had two vision openings for the driver, whereas late versions had only one. The main gun originally had a monobloc gun barrel, but later versions were equipped with the PaK 43/4 gun with a two-part barrel. Early G1s (to September 1944) were given a distinctive pattern of Zimmerit anti-magnetic mine coating.

A total of 415 Jagdpanthers were produced from January 1944 by three manufacturers; MIAG produced 270 from January 1944 until the end of the war; Maschinenfabrik Niedersachsen-Hannover (MNH) produced 112 from November 1944; Maschinenbau und Bahnbedarf (MBA) produced 37 vehicles from December 1944.

# READ BEFORE ASSEMBLY

## CAUTION

- Read carefully and fully understand the instructions before commencing assembly. A supervising adult should also read the instructions if a child assembles the model.
- When assembling this kit, tools including knives used. Extra care should be taken to avoid personal injury.
- Keep out of reach of small children. Children must not be allowed to suck any part, or pull vinyl bag over their heads.



Optional



Remove



Instant Glue for Metal



Drill

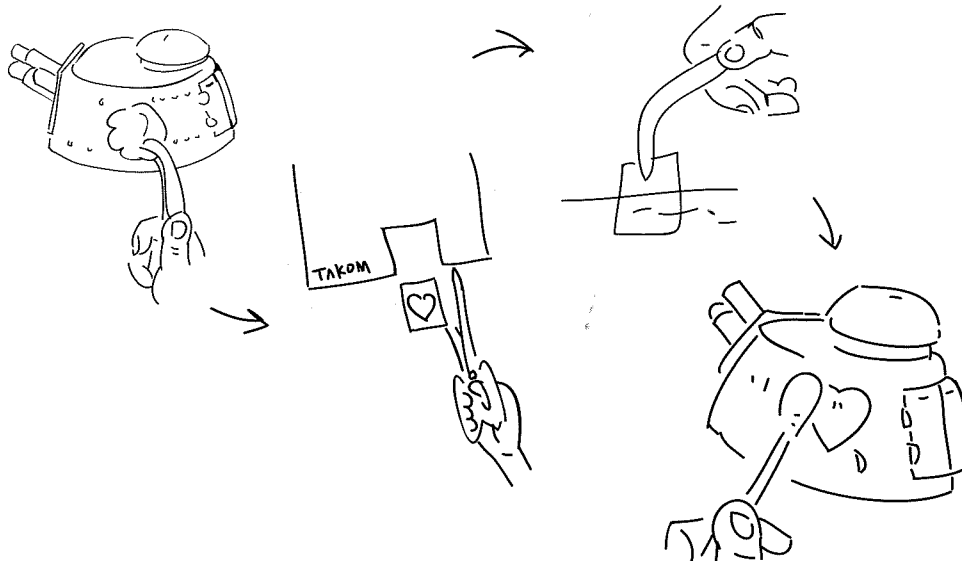
## PAINTS REQUIRED

Color info and profiles by Mig Jimenez

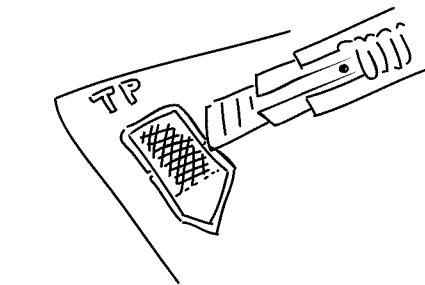
A.MIG.008 Rubber & Tires	A.MIG.009 Dark Tracks	A.MIG.010 Light Wood	A.MIG.011 Dark Rust
A.MIG.012 Gun Metal	A.MIG.013 Crystal Periscope Green	A.MIG.014 Olivgrun Opt.2	A.MIG.015 Dunkelgelb Mid wor
A.MIG.016 Schokobraun	A.MIG.017 Old Wood	A.MIG.018 Medium Rust	A.MIG.019 New Wood
A.MIG.020 Dunkelgrau	A.MIG.021 Olivgrun Opt.1		

## APPLYING DECALS

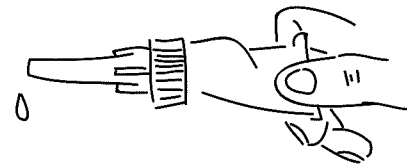
1. Clean the model surface with a wet cloth.
2. Cut out each decal design from sheet, and dip it in tepid water for 15~20 sec.
3. Hold the backing sheet edge and slide decal onto the model.
4. Move decal into position by wetting decal with finger.
5. Press decal gently down with a soft cloth until excess water and air bubbles are gone.



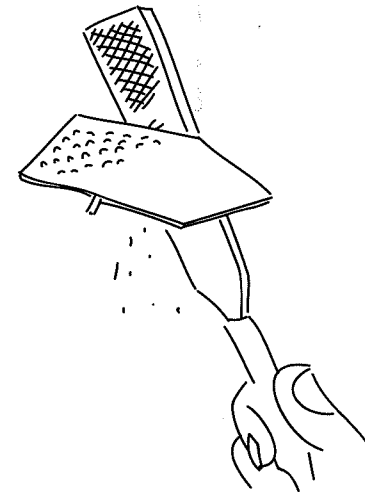
## REMOVING PE



Be careful not to hurt when removing PE parts.

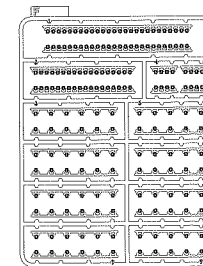
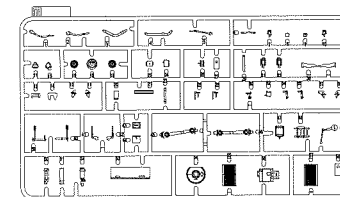
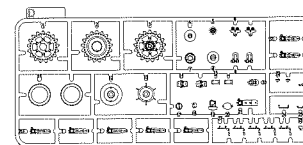
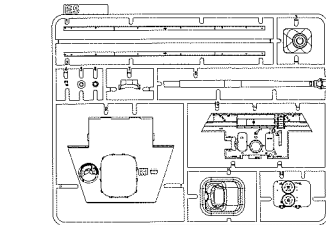
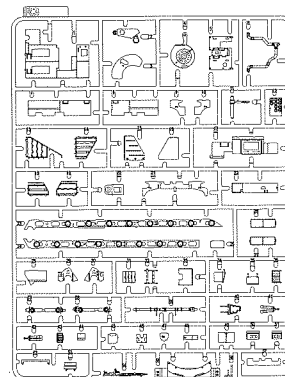
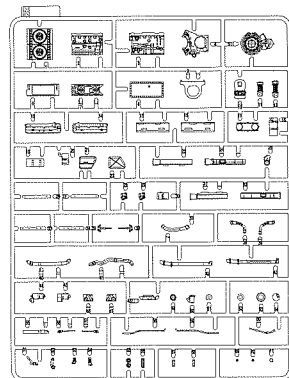
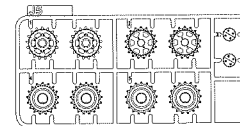
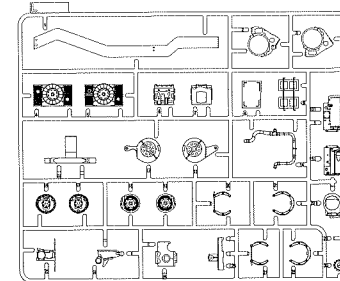
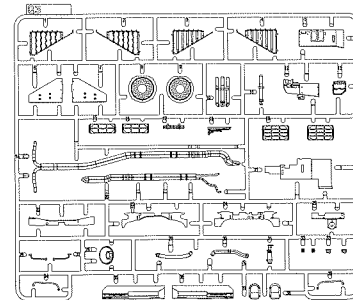
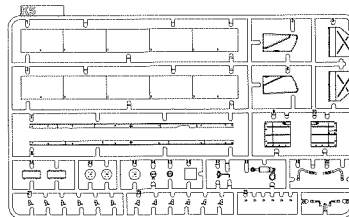
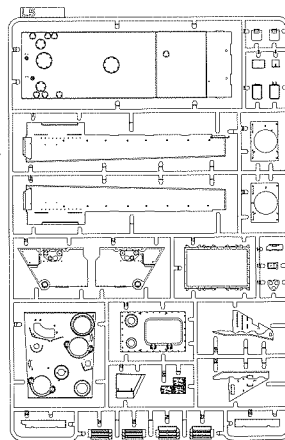
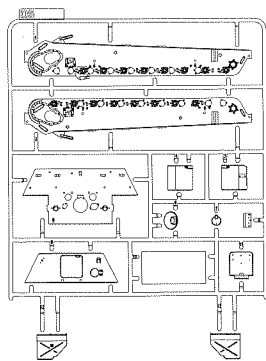


Secure using instant glue (not included).

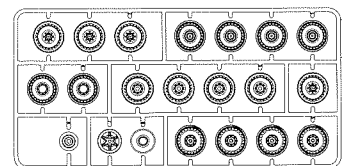


Finish using file.

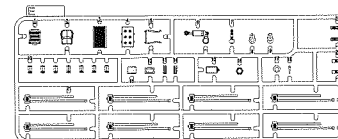
# PARTS



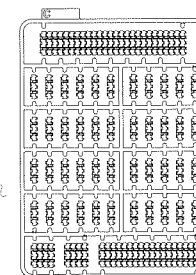
X2



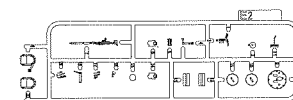
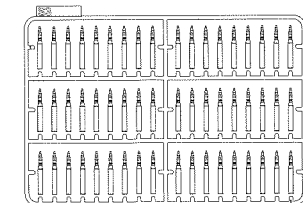
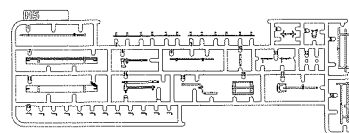
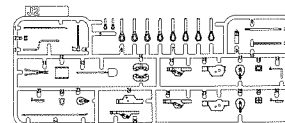
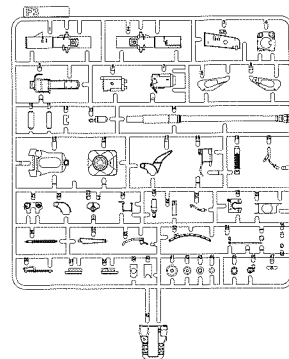
X2



X2

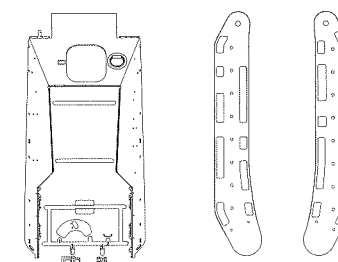
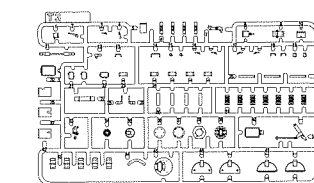


X2



113 123 233 332  
 113 123 233 332  
 314 + + + + +  
 314 + + + + + 113 + 123  
 + + + + + + + + + + +  
 \* 233 \* 332 \* 314 \* + + +

Cable



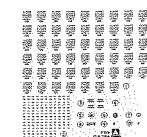
M14

Z1

Z2

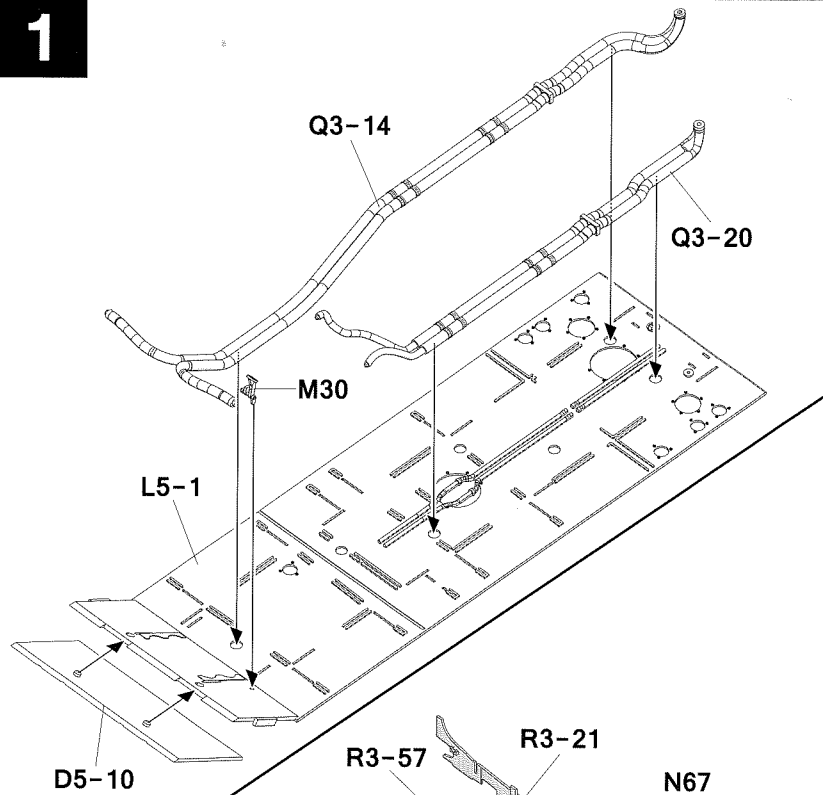


TP

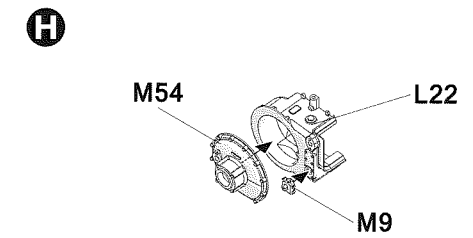
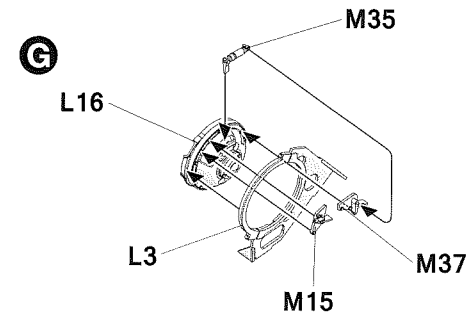
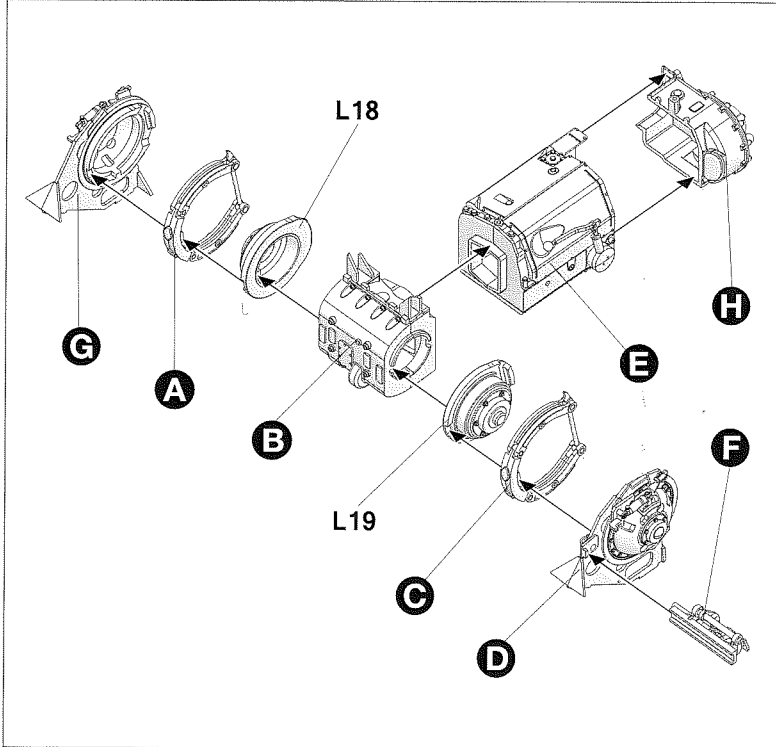
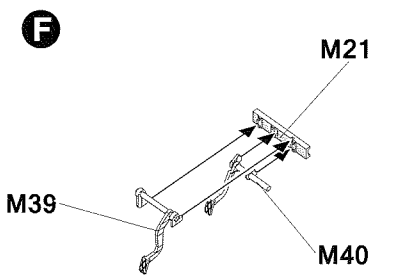
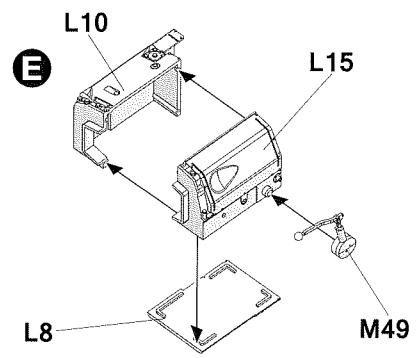
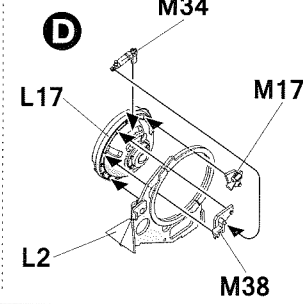
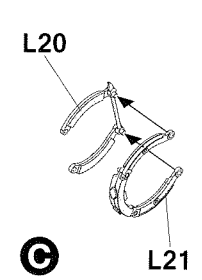
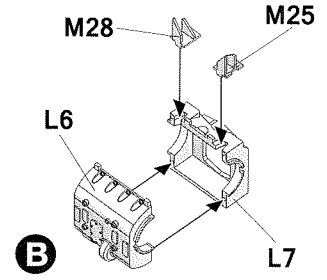
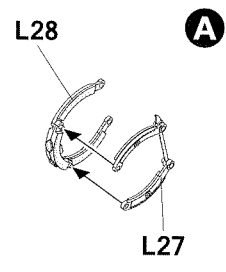
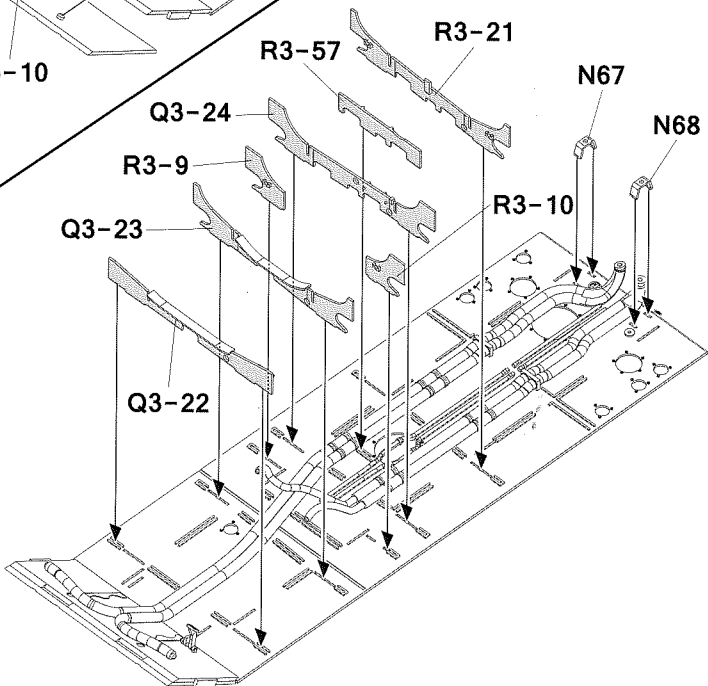


Decal

1

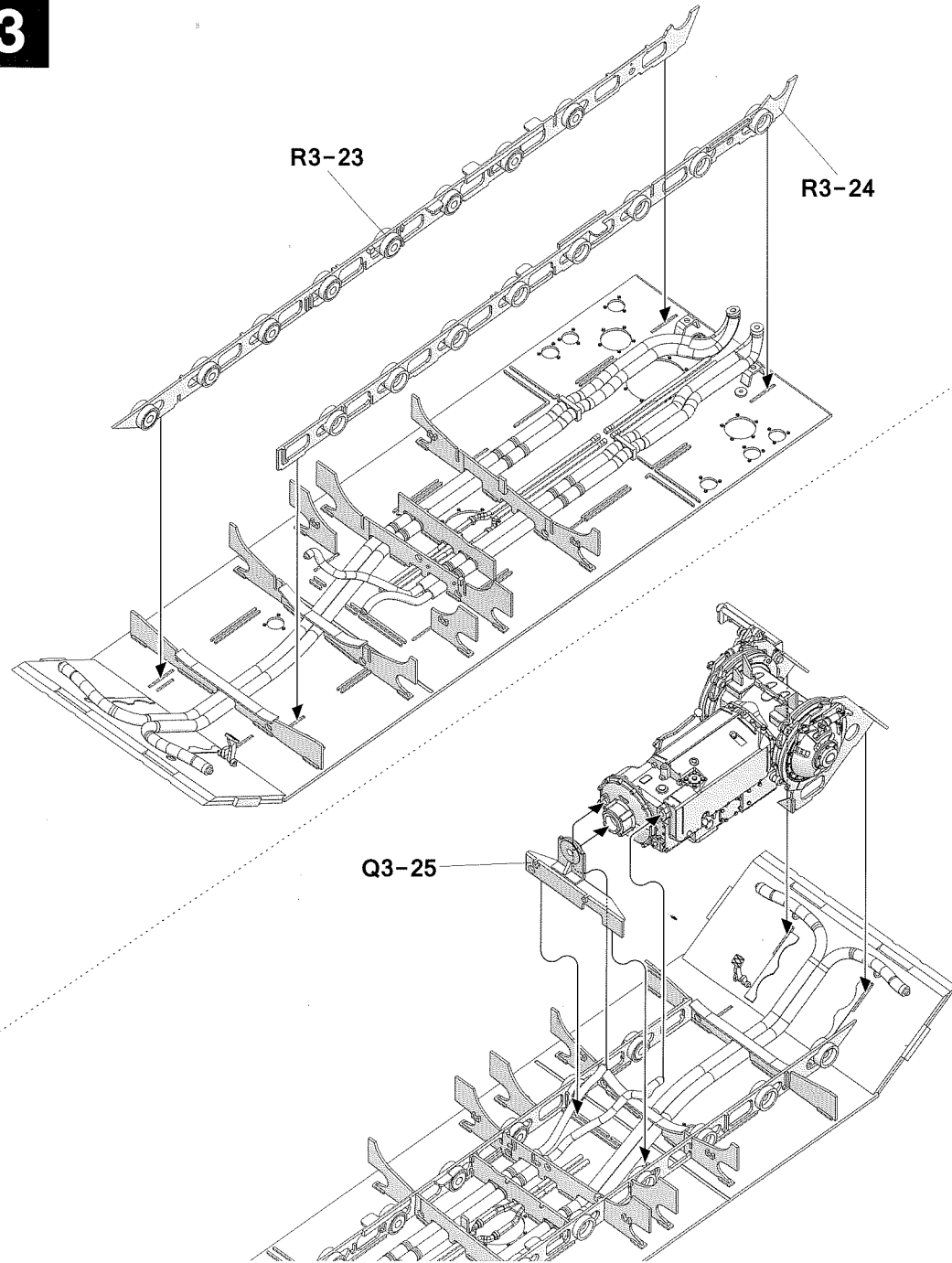


2

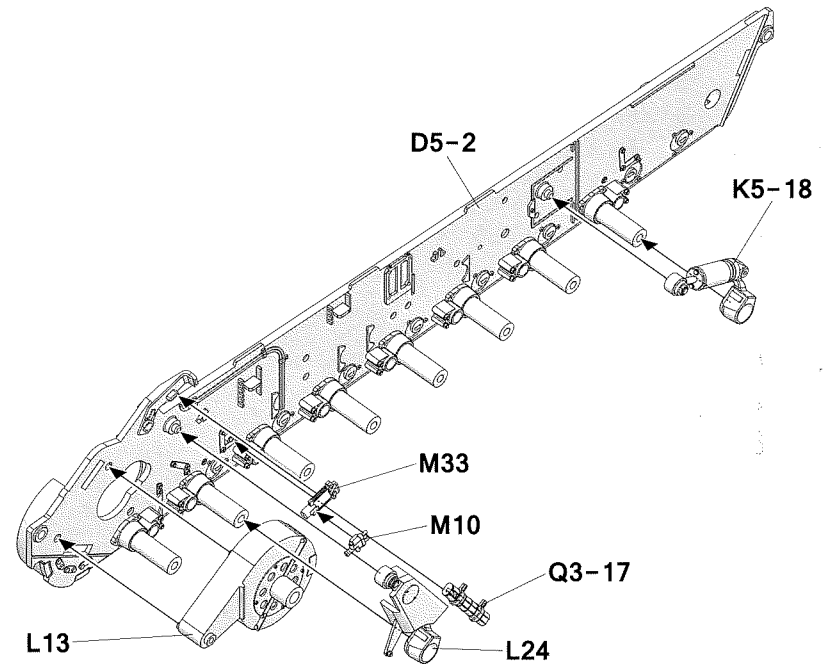


3

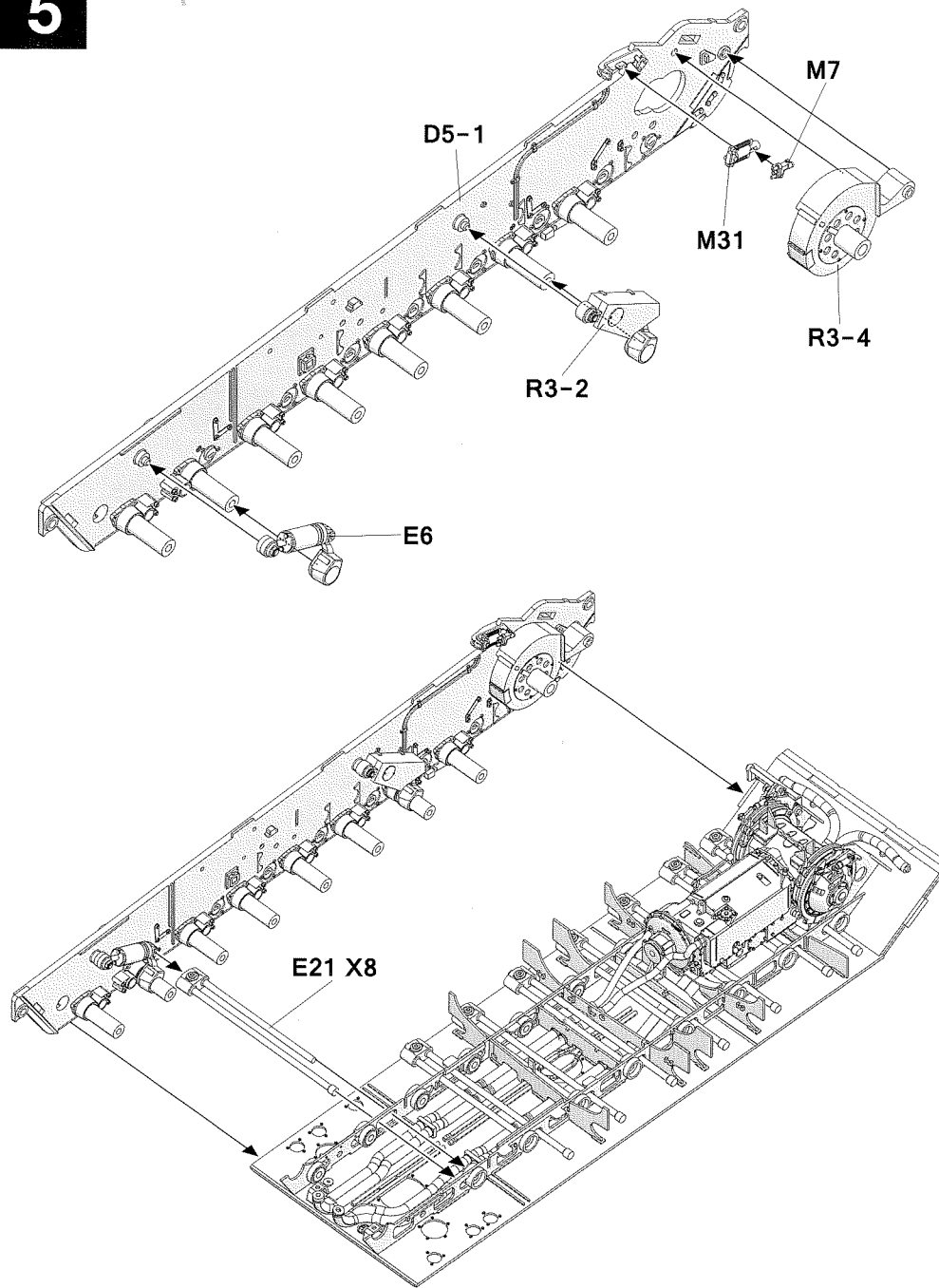
3



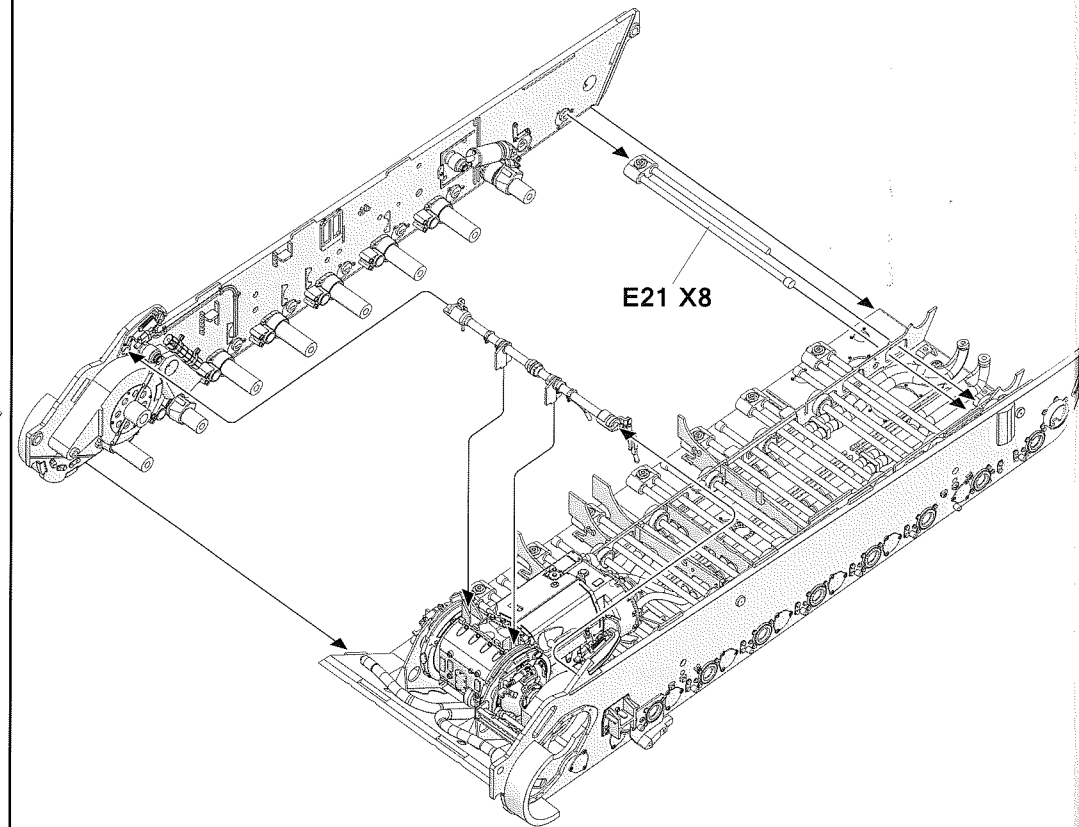
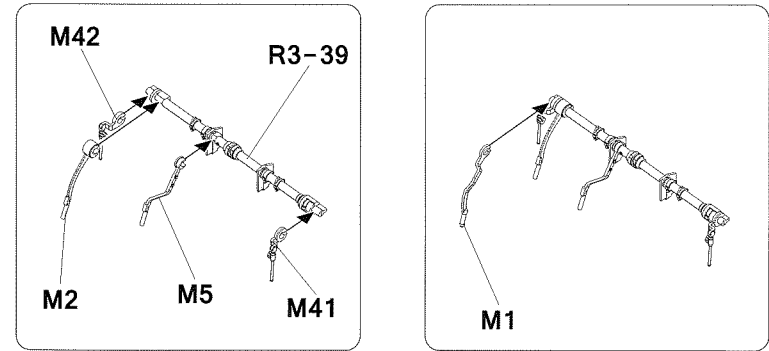
4



5

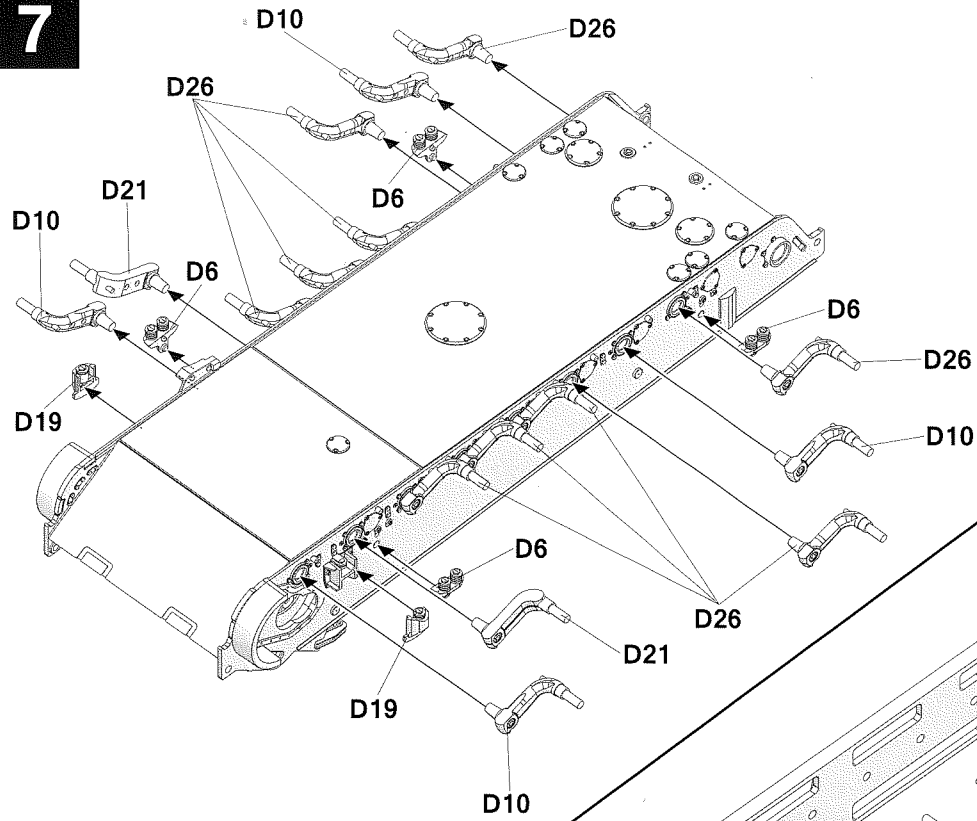


6

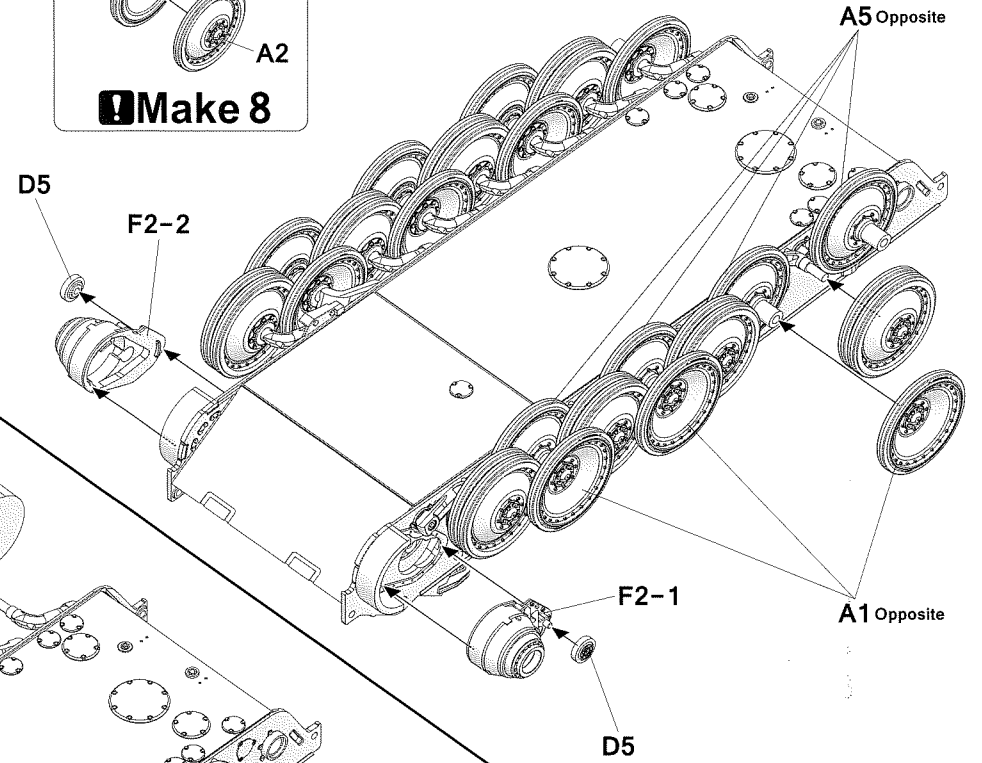
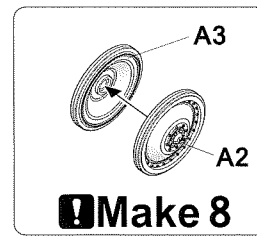


5

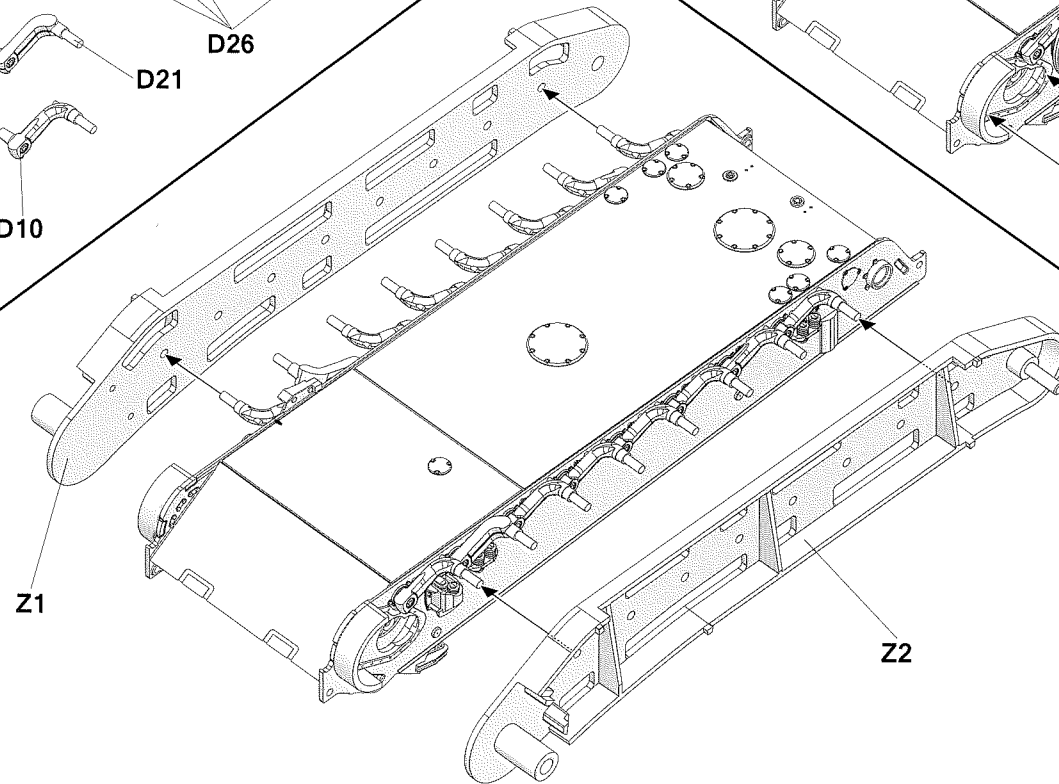
7



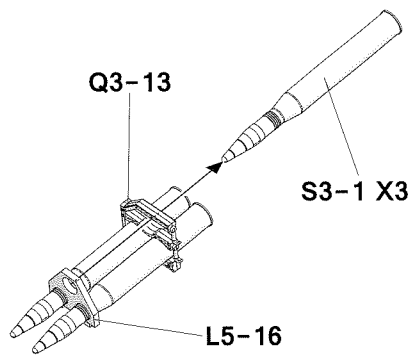
9



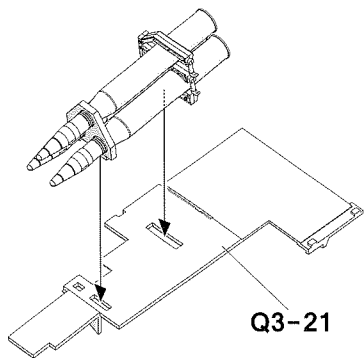
8



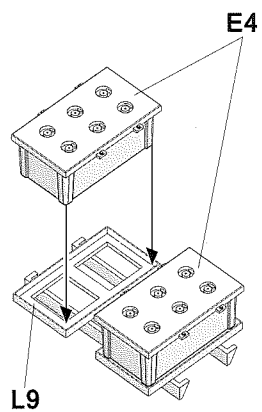
6



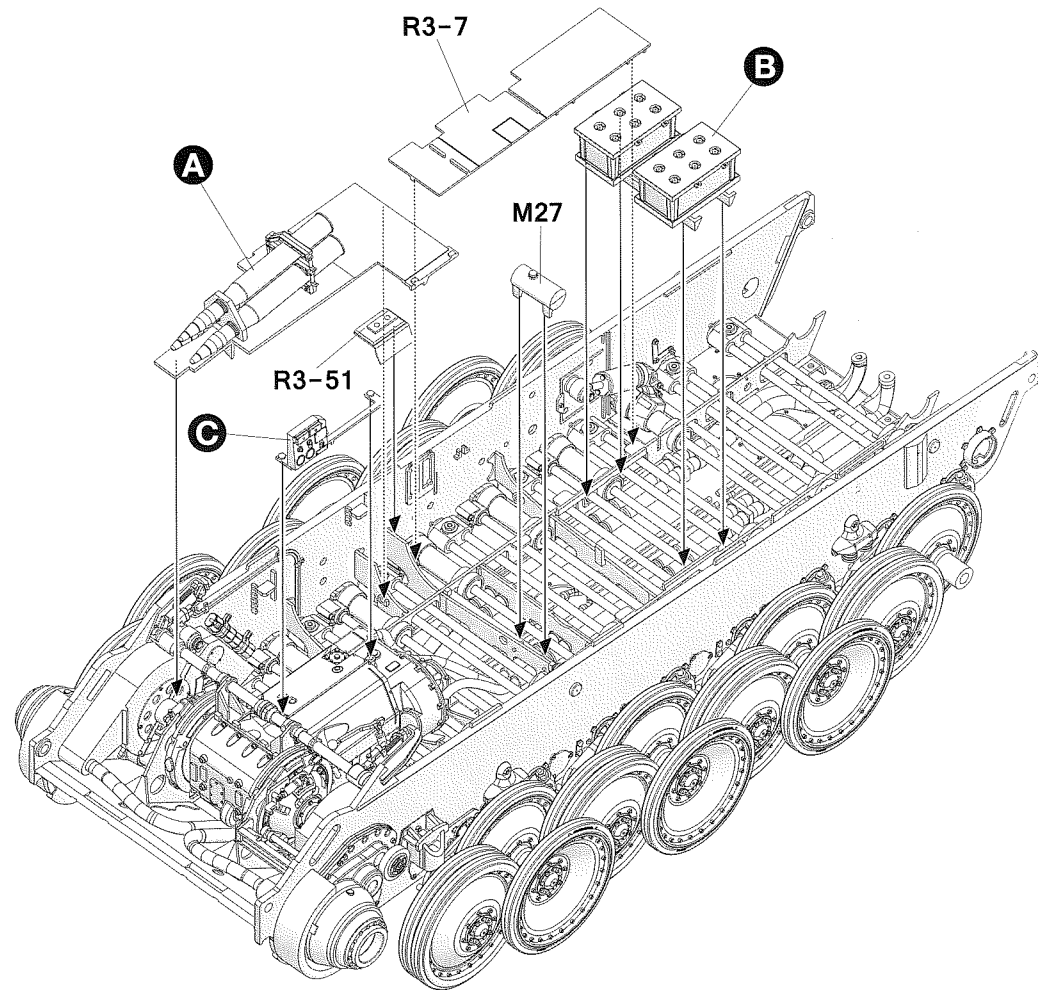
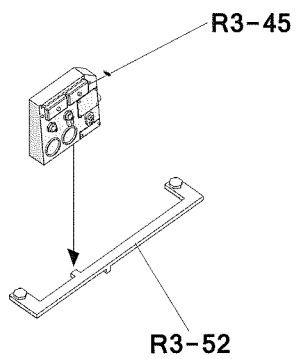
A



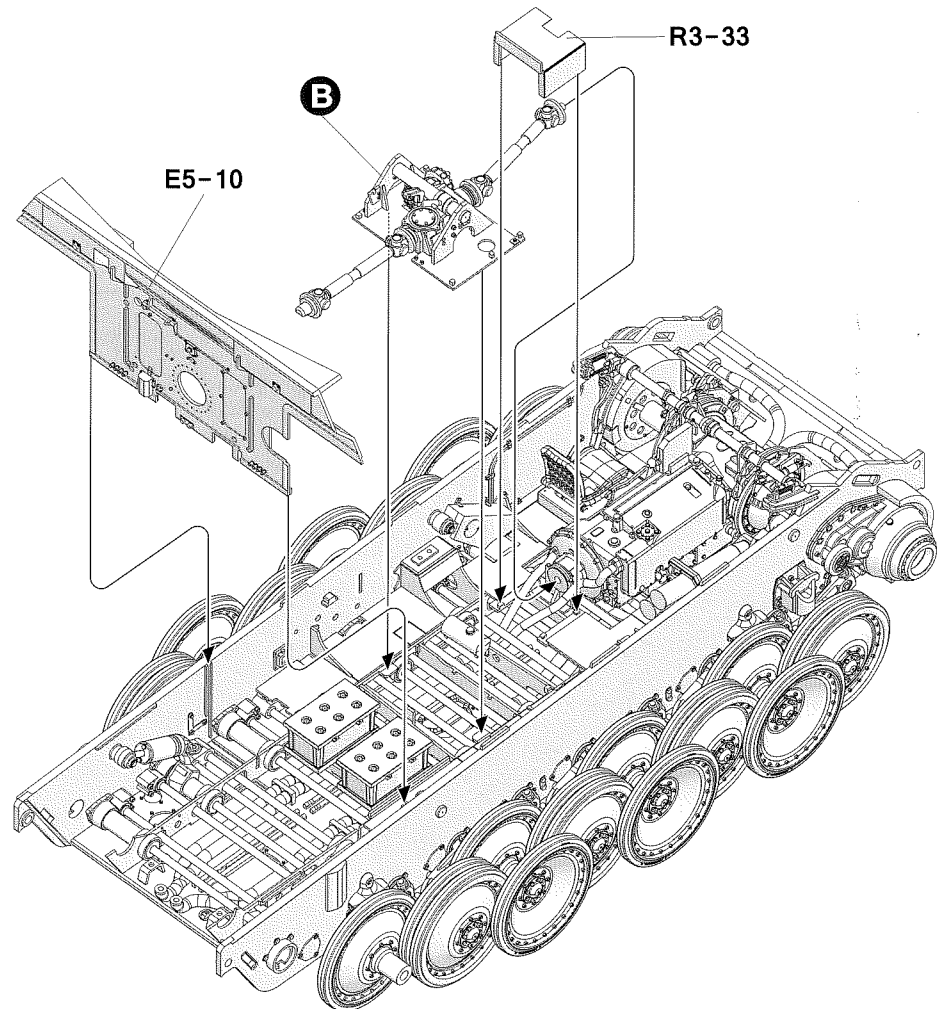
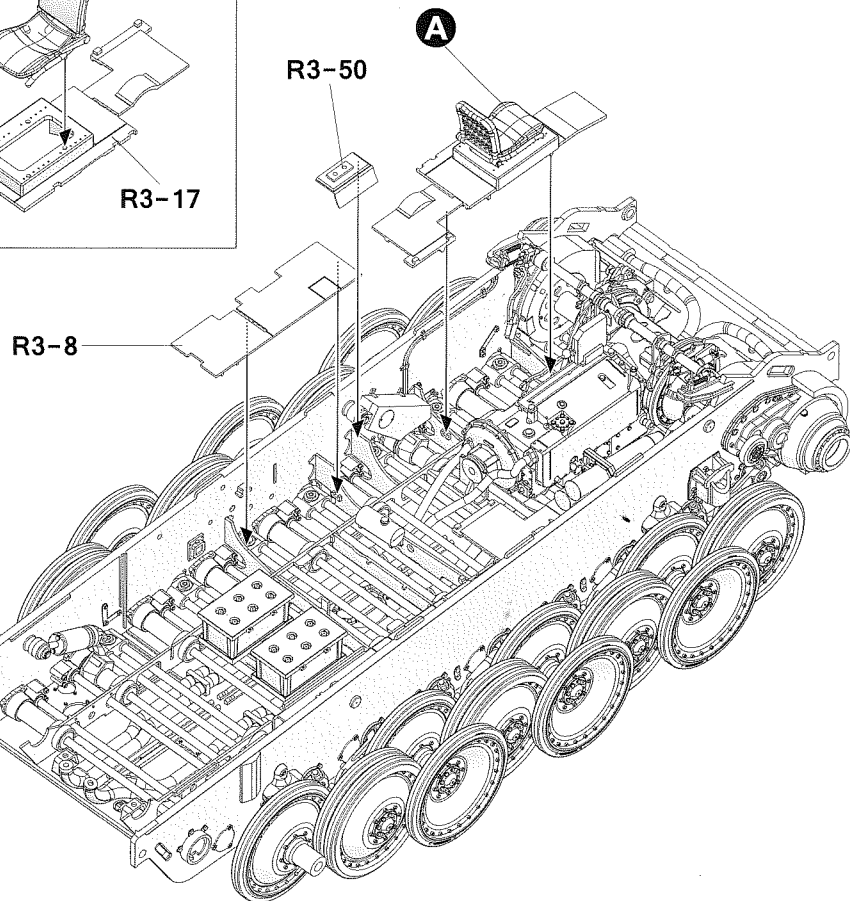
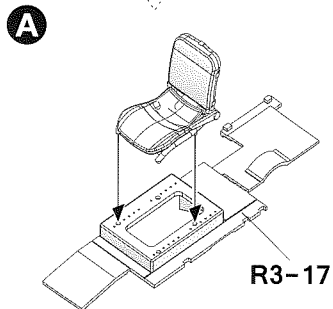
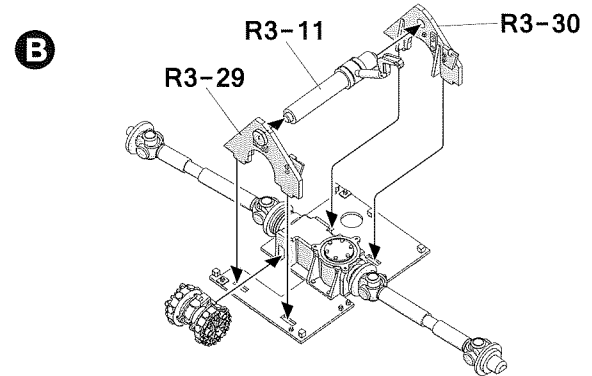
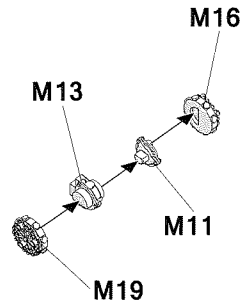
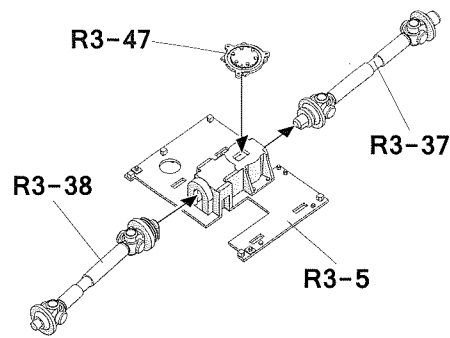
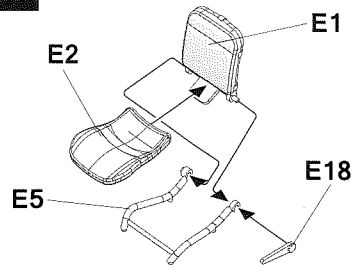
B



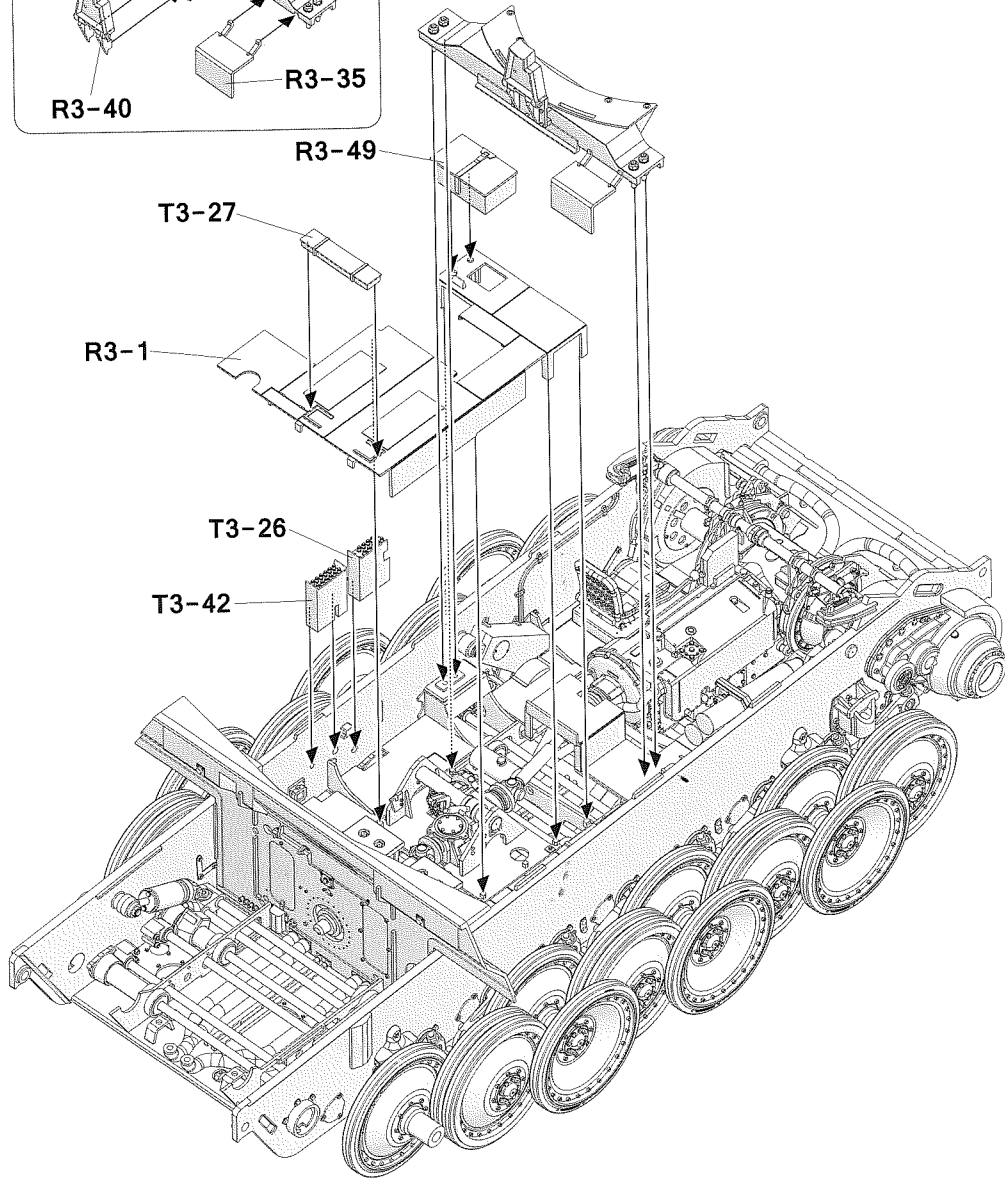
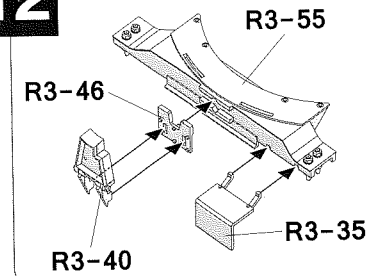
C



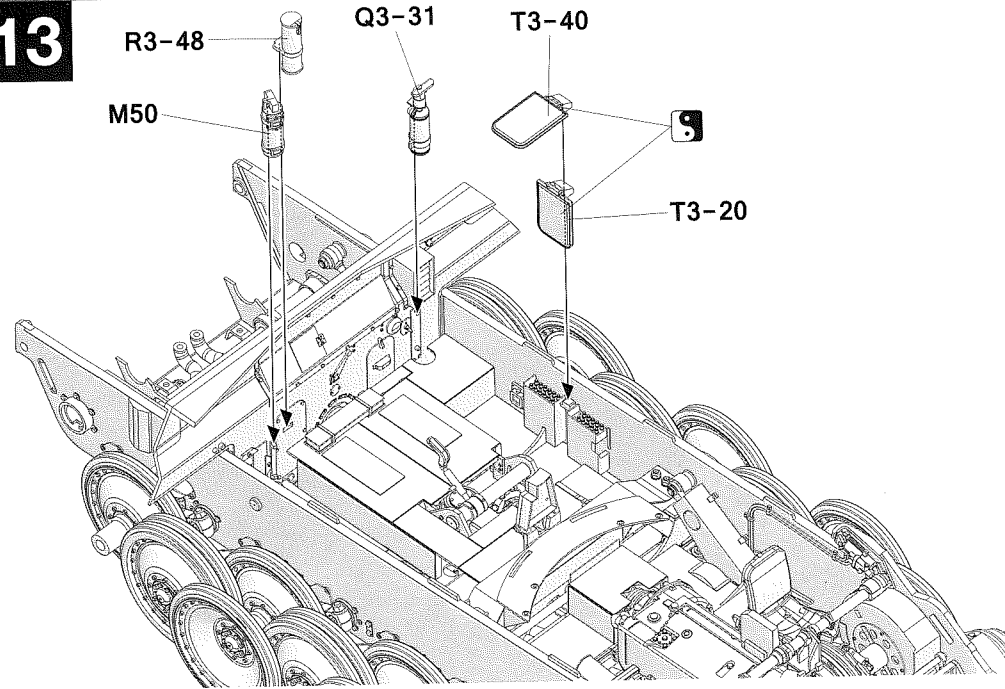




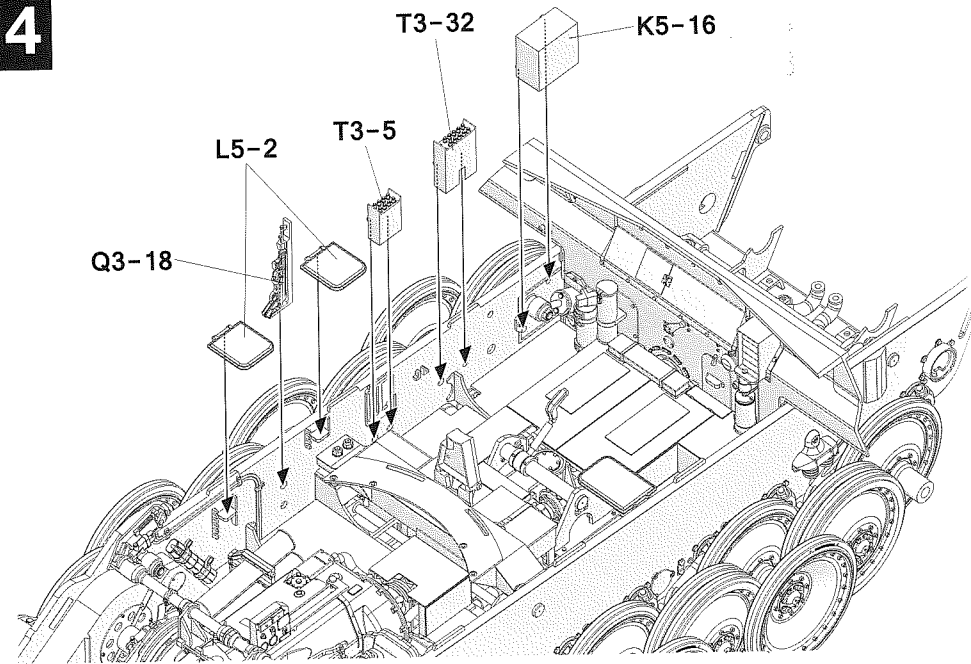
12



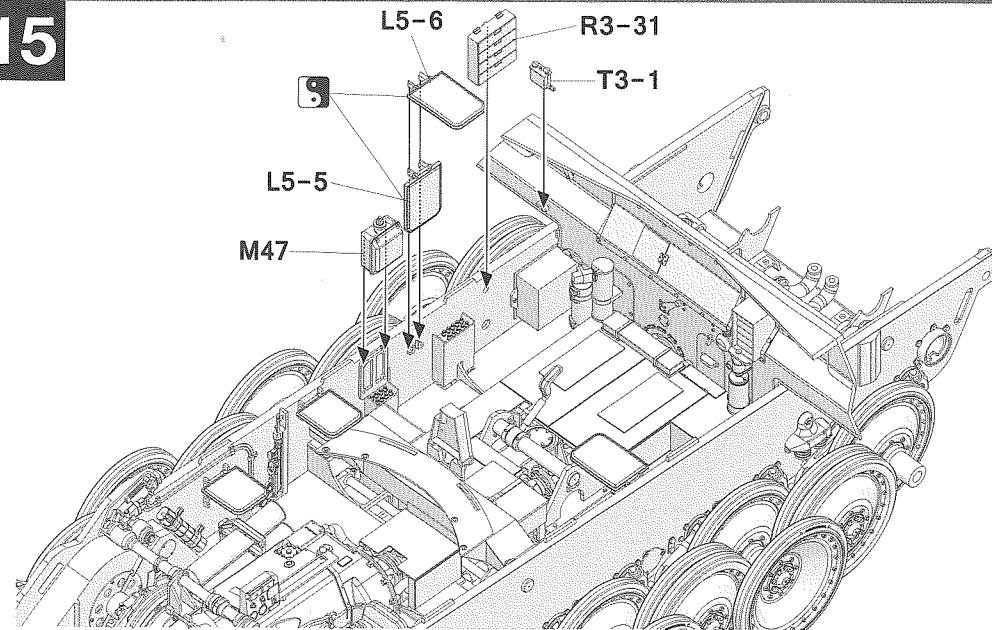
13



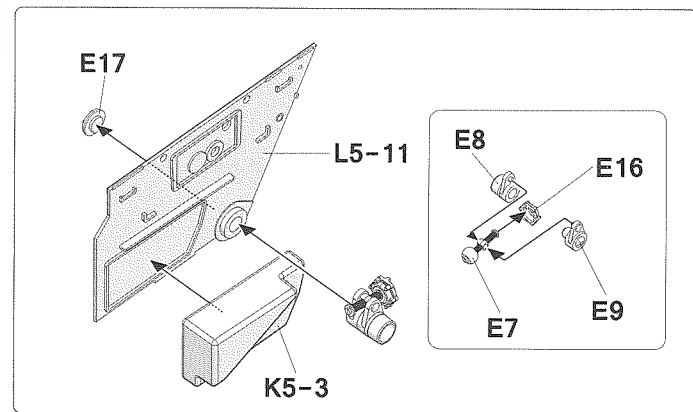
14



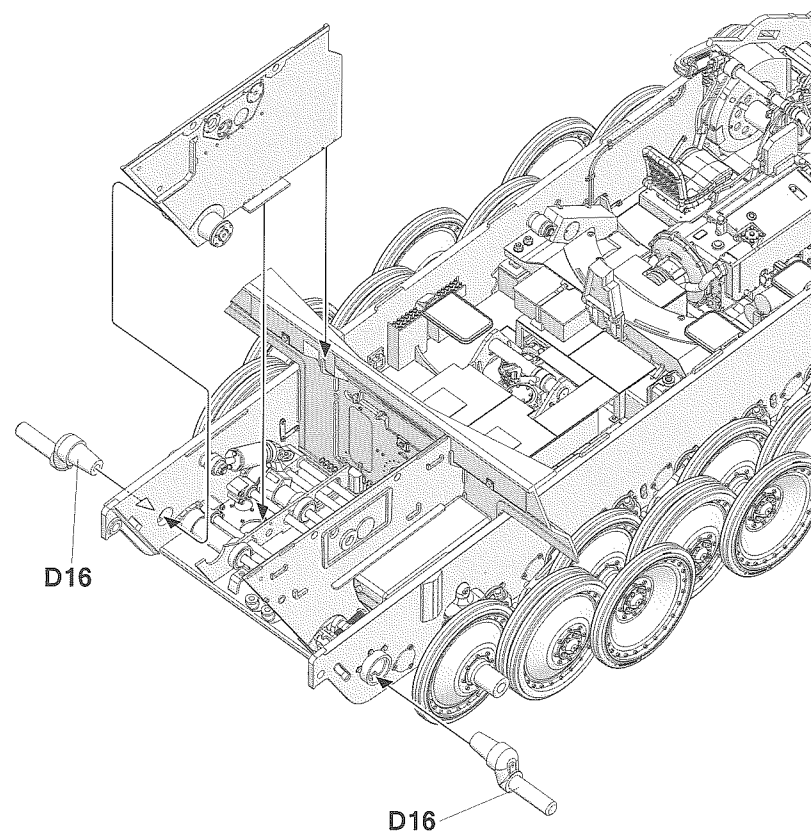
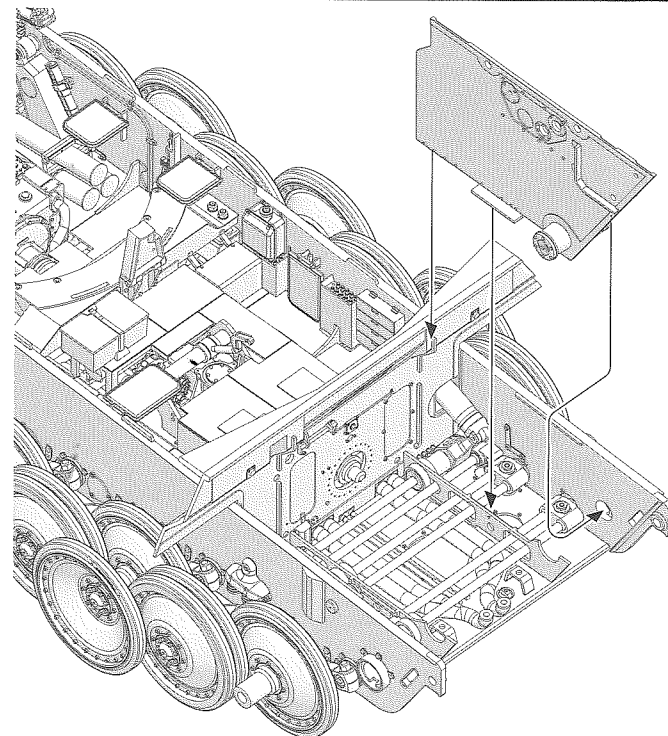
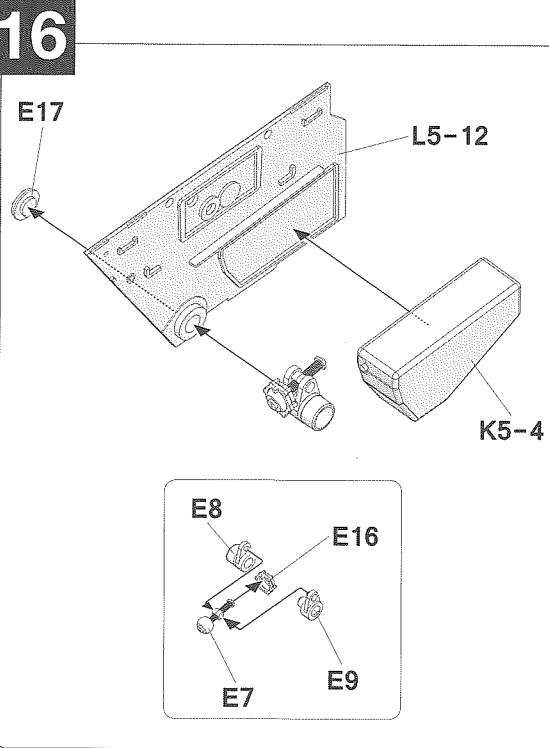
15

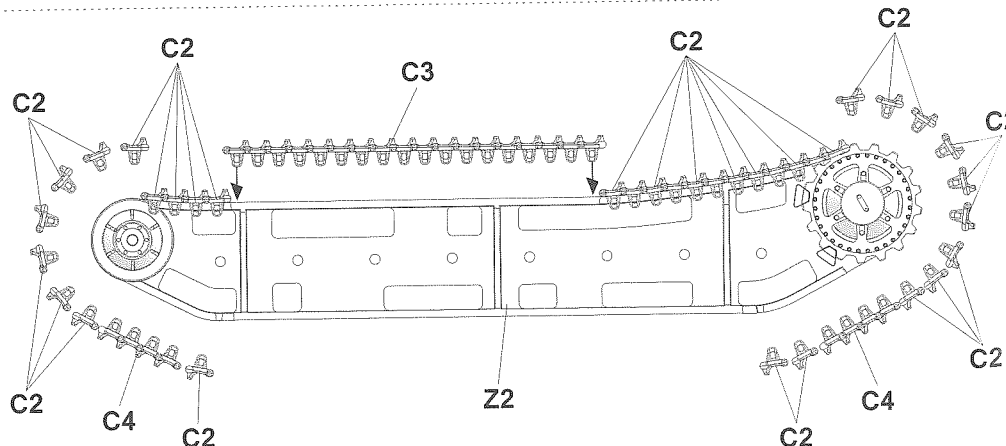
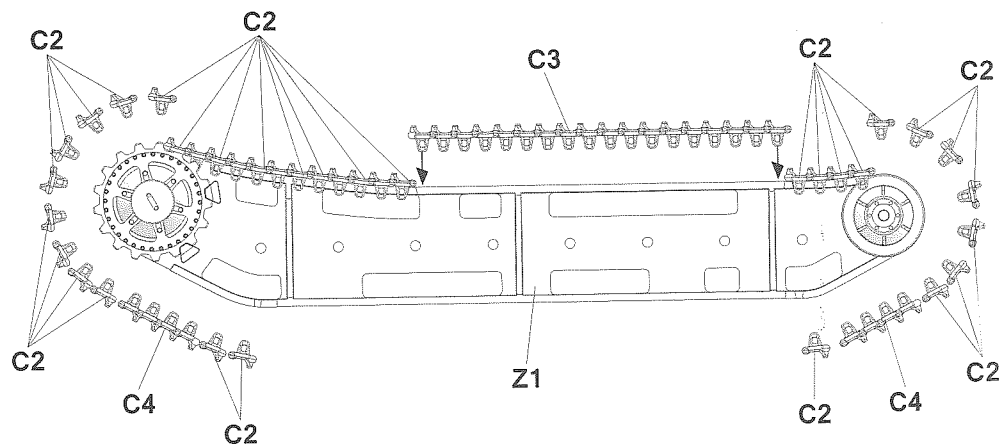
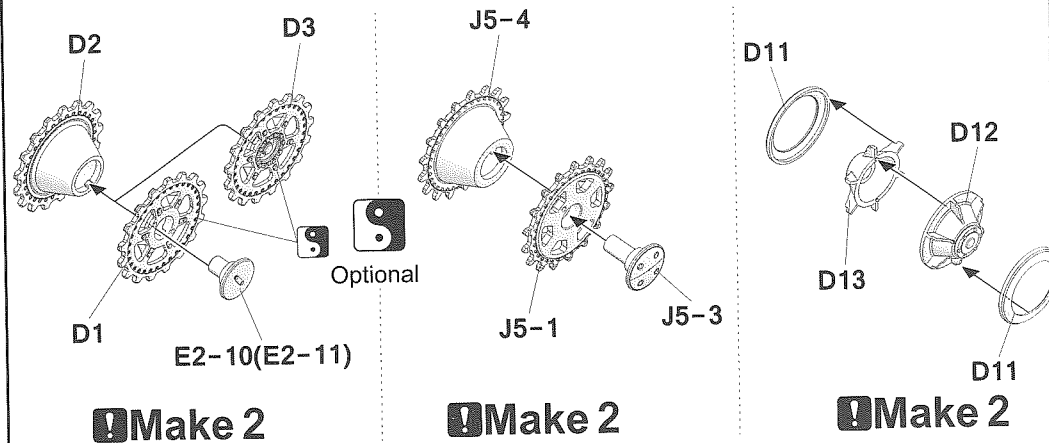
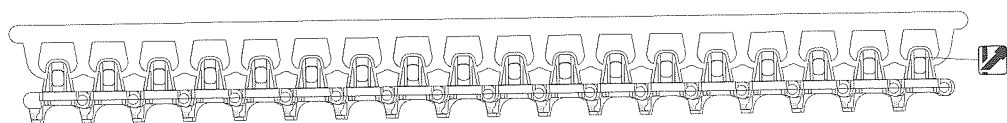
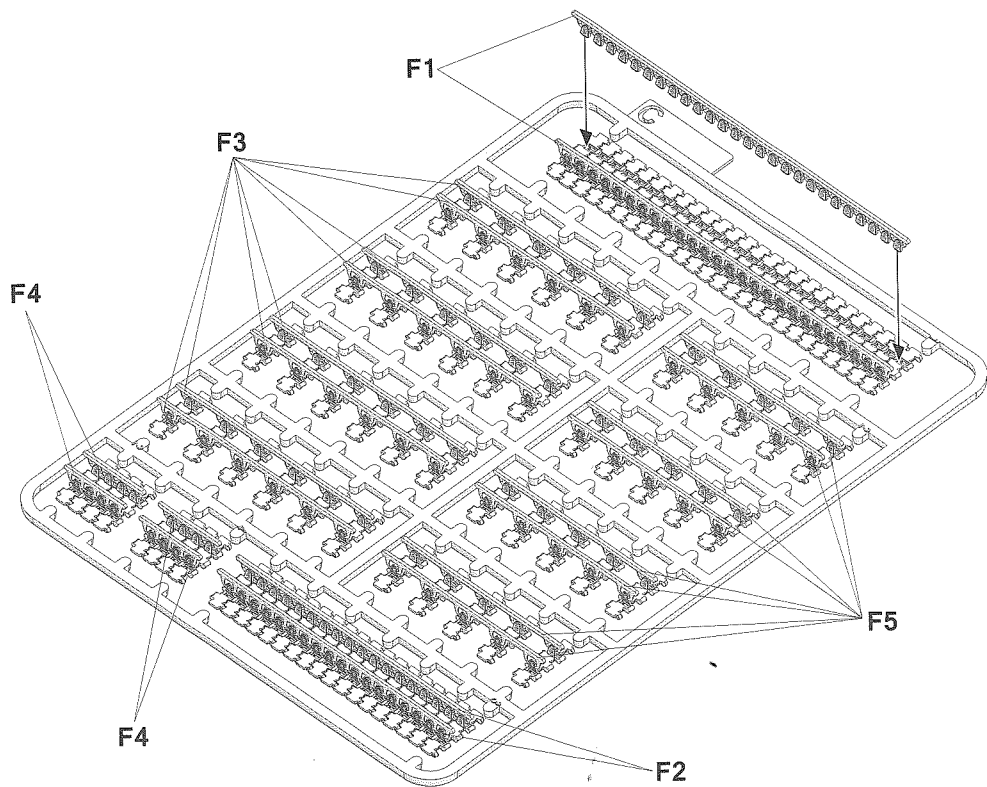
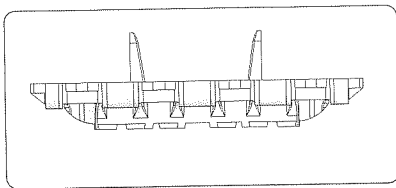


17

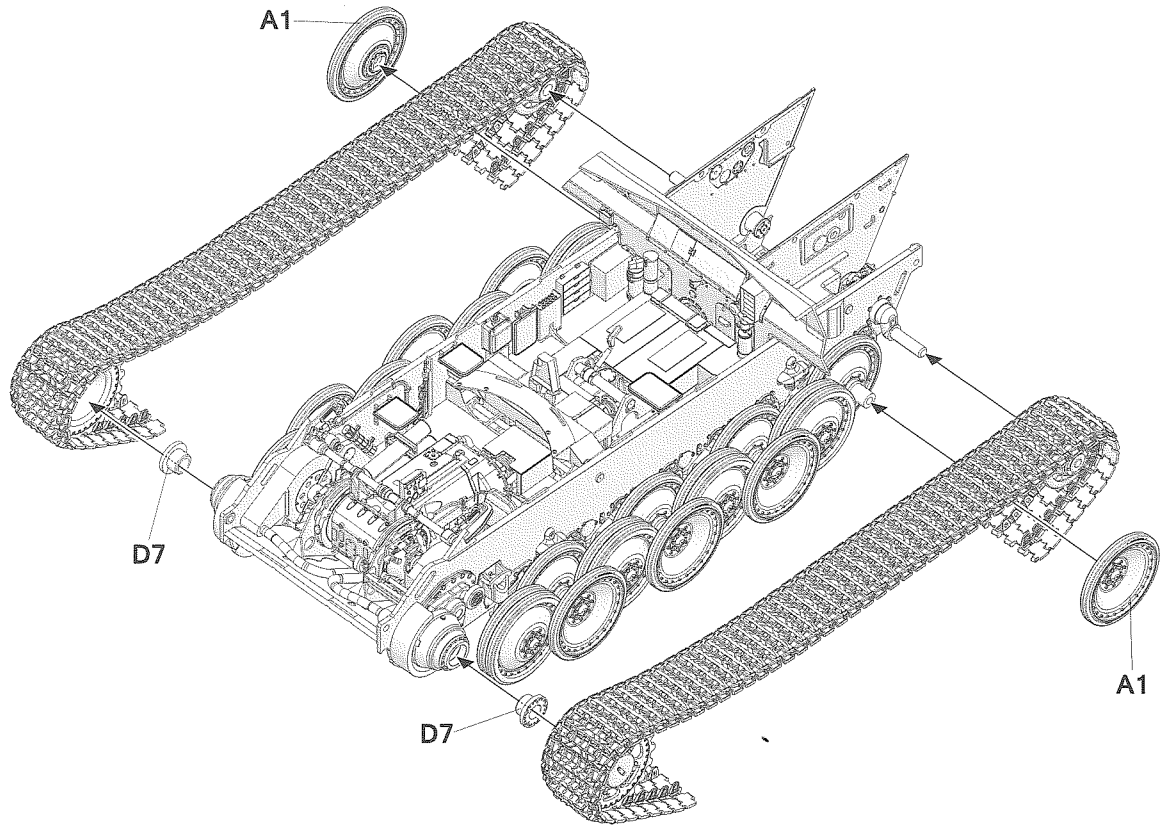


16

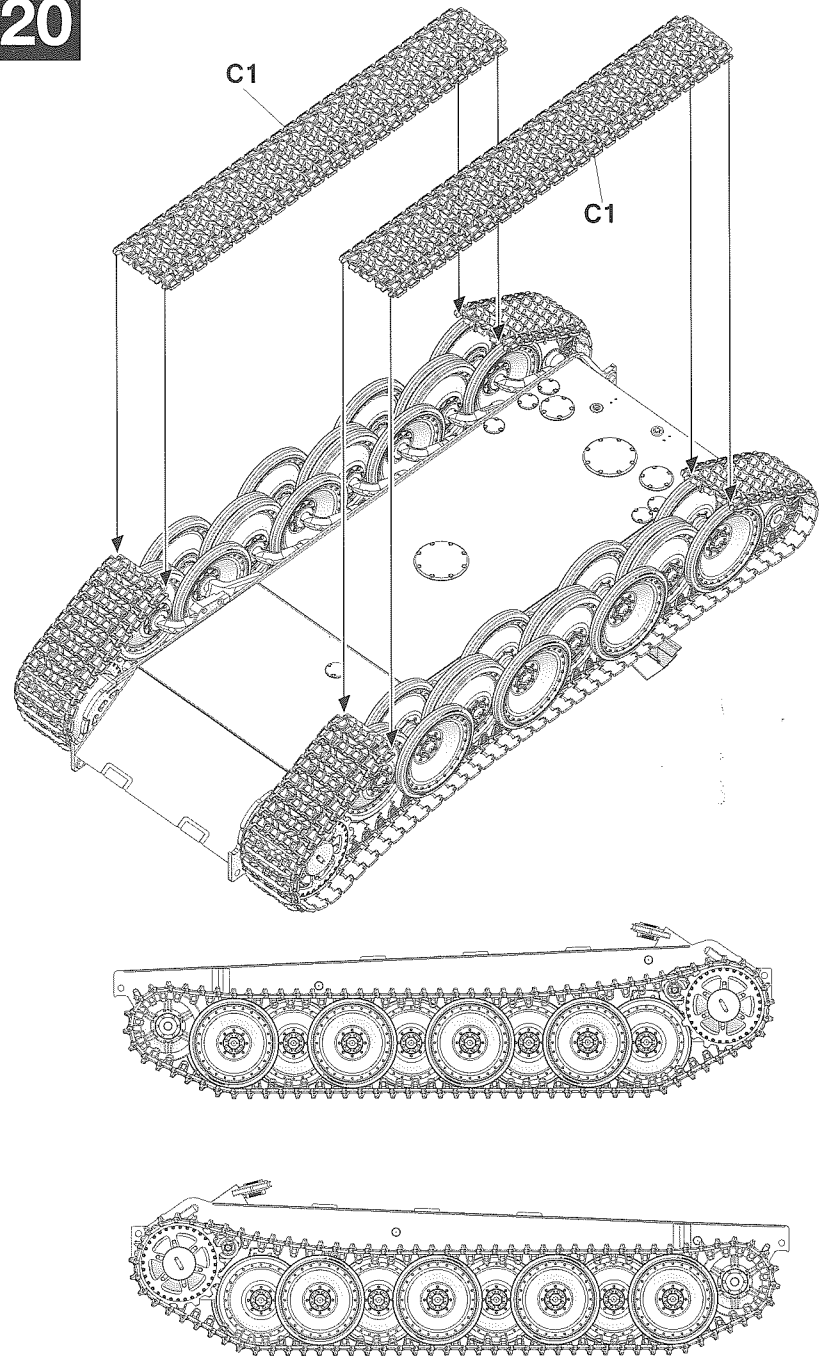


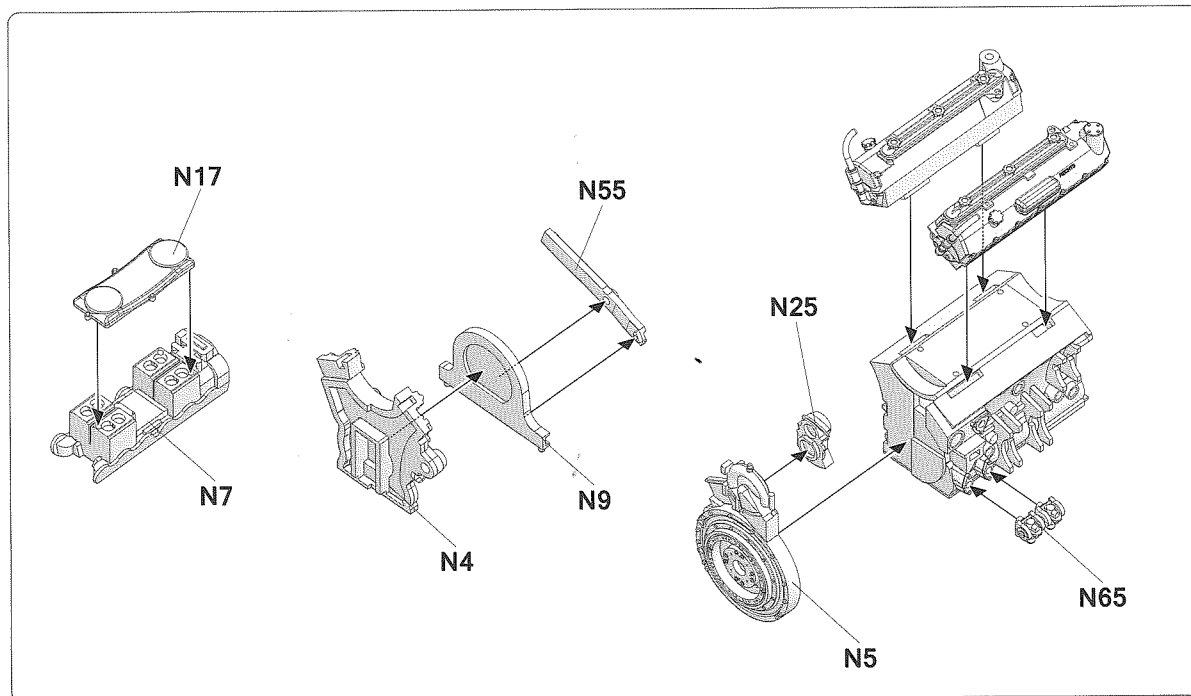
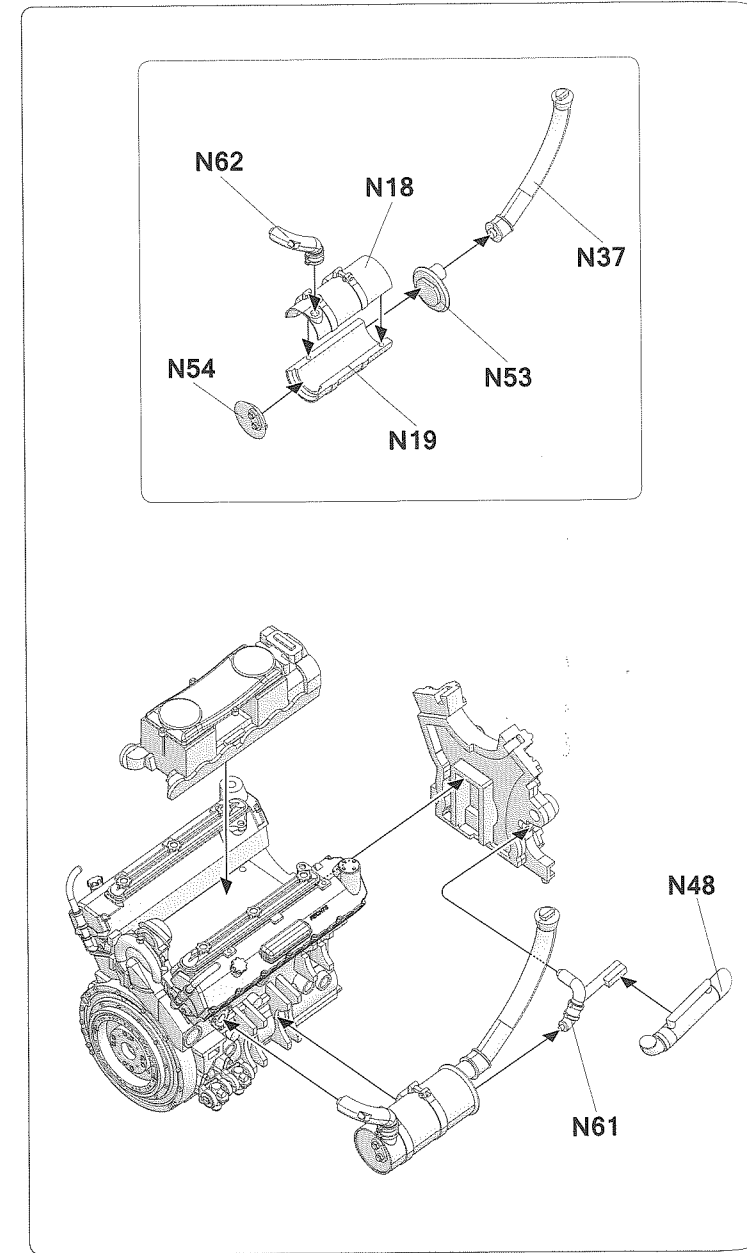
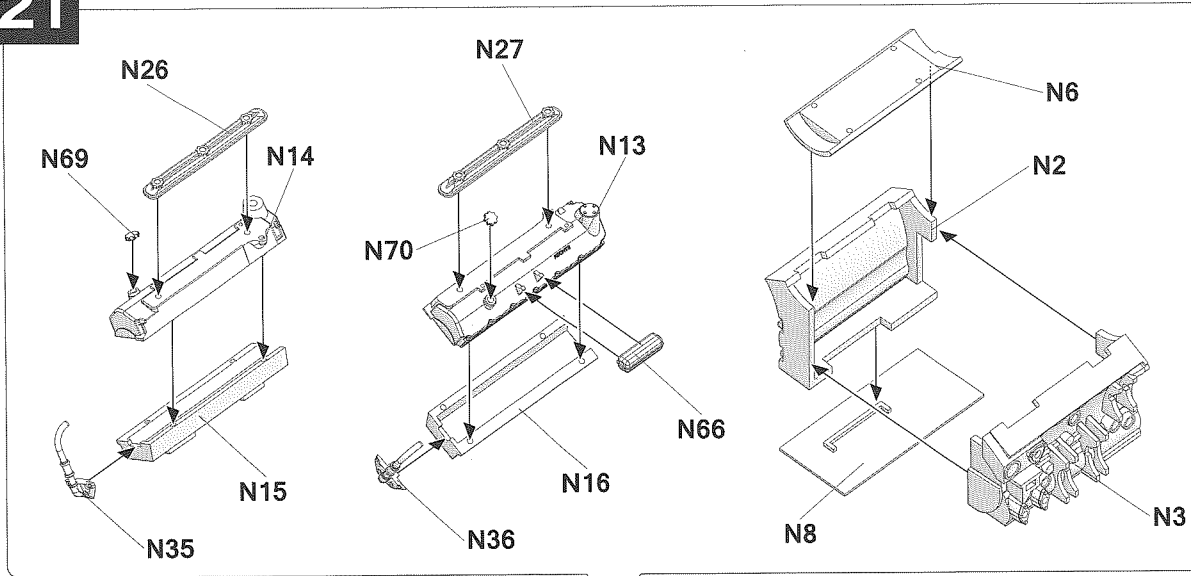


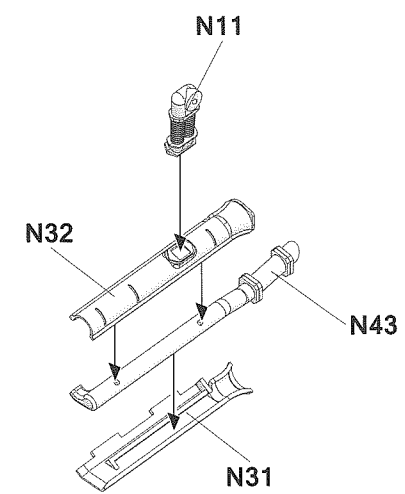
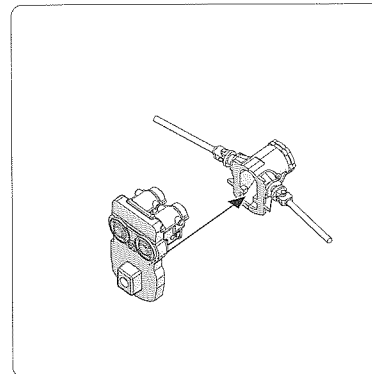
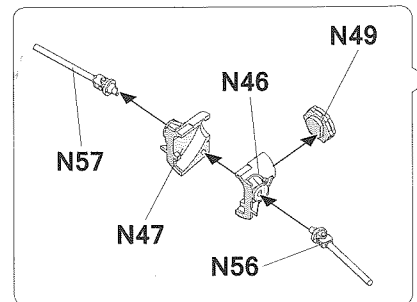
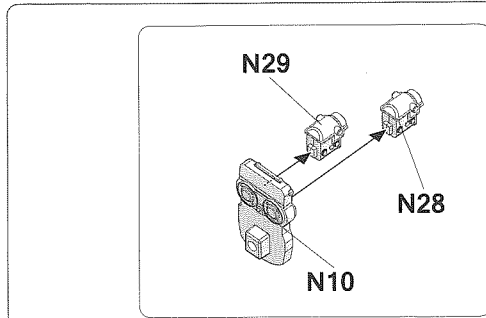
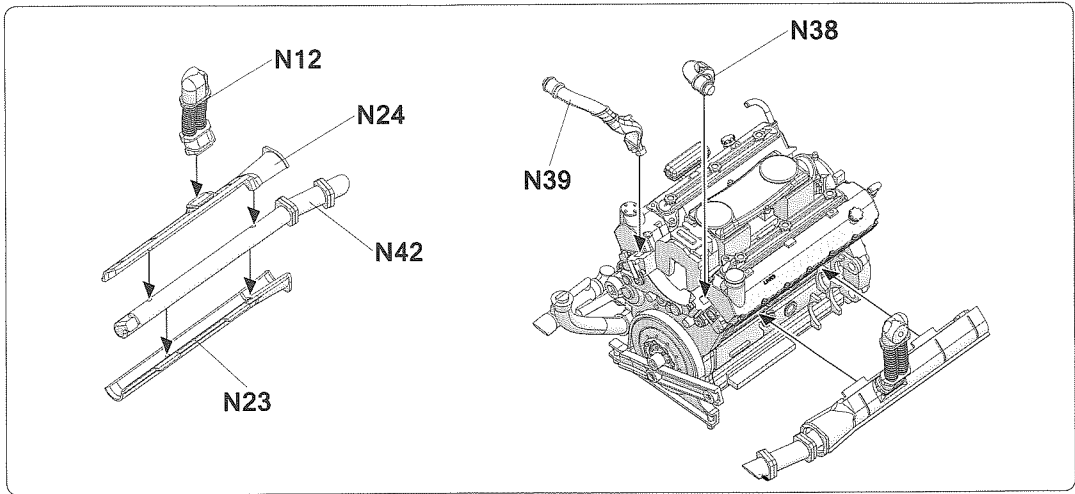
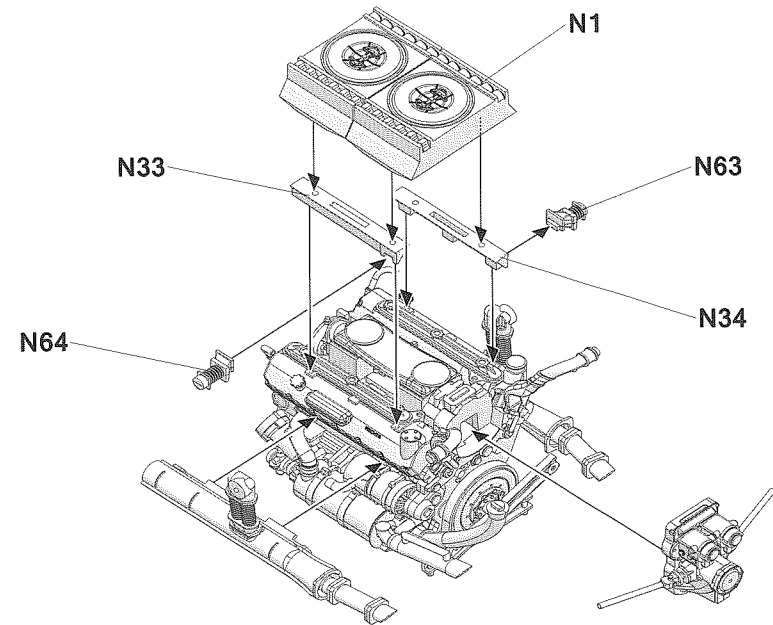
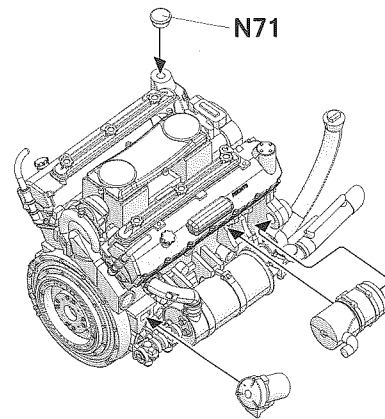
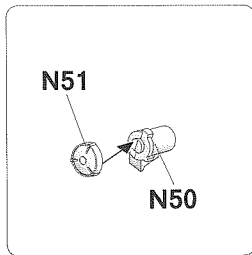
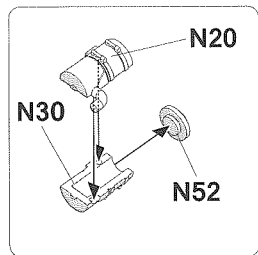
19



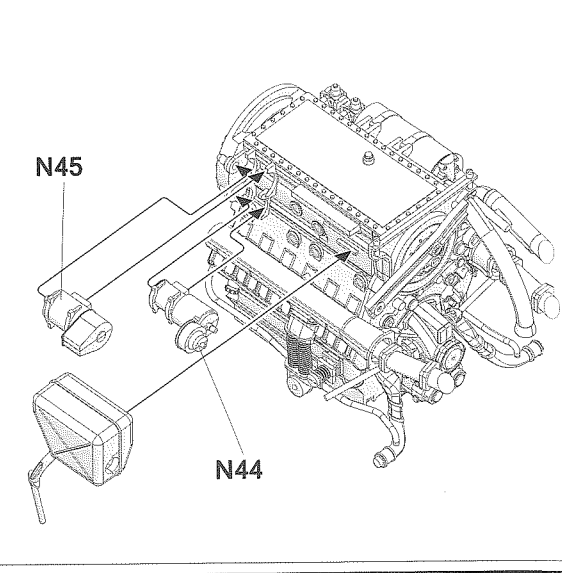
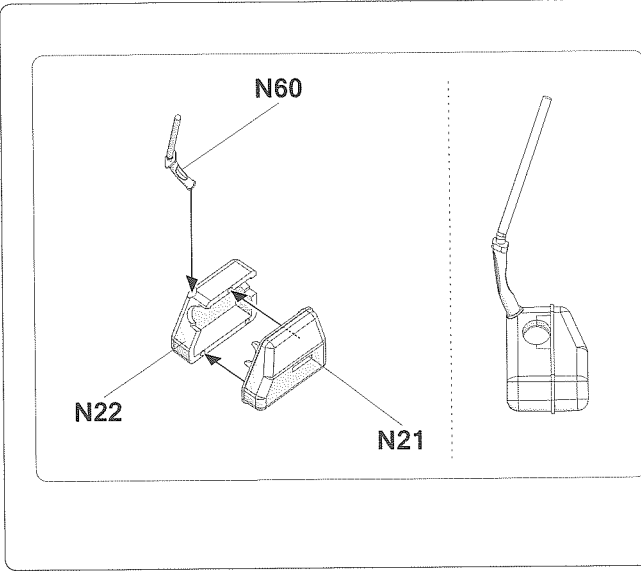
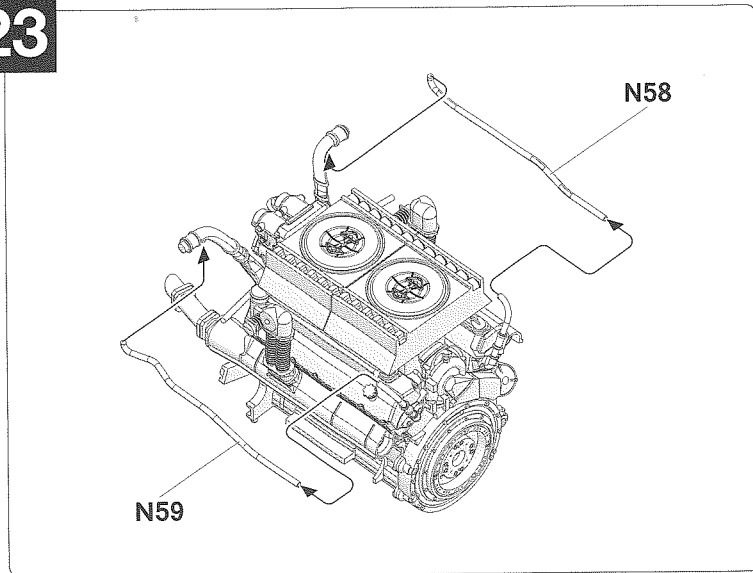
20



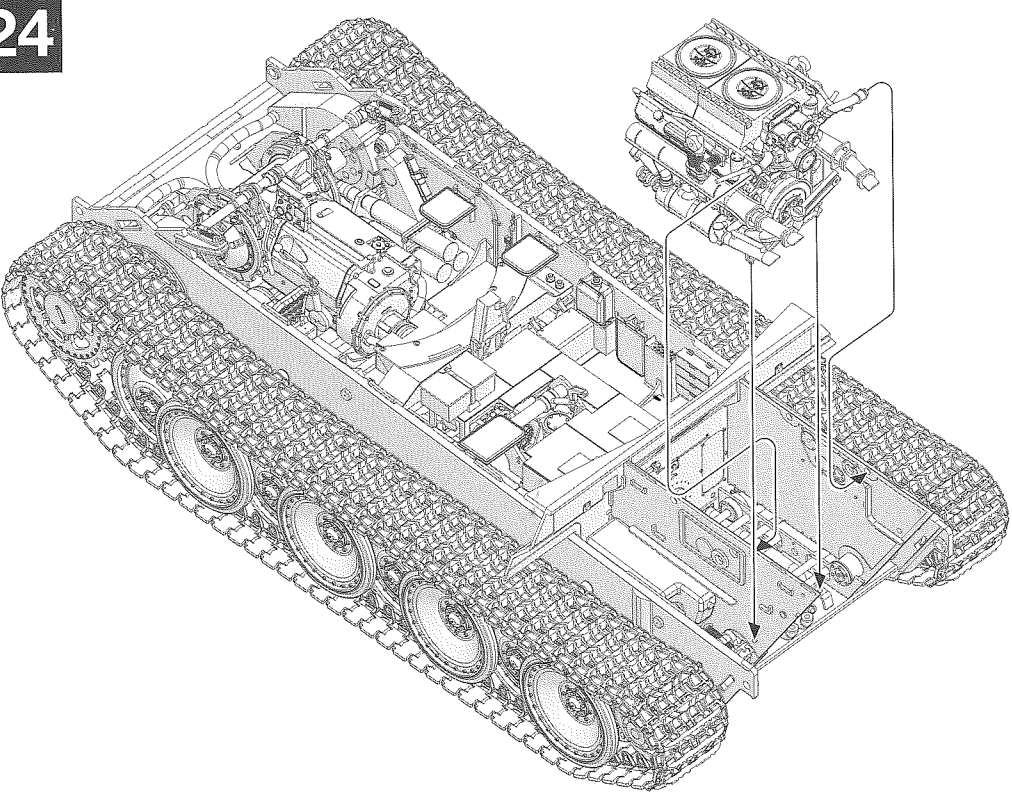




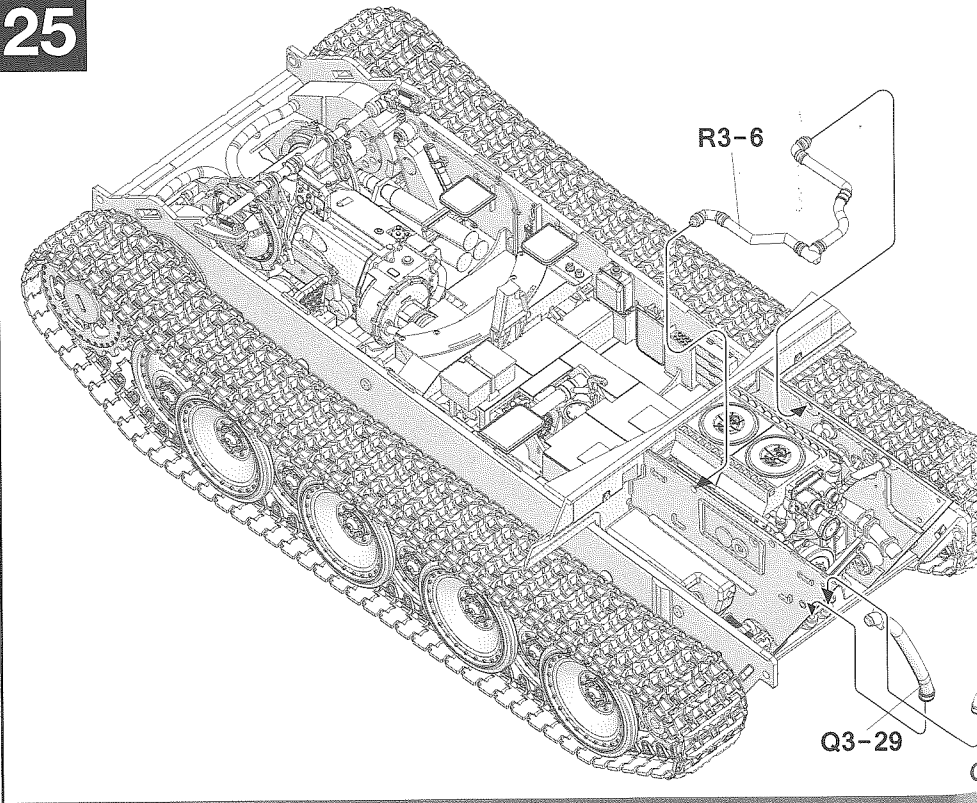
23



24

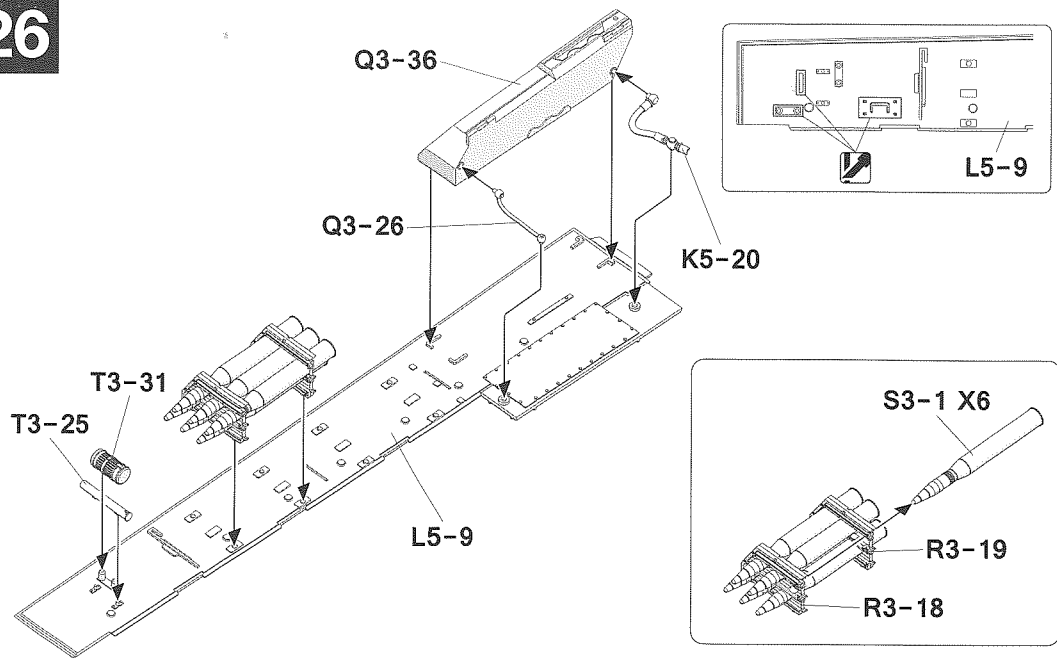


25

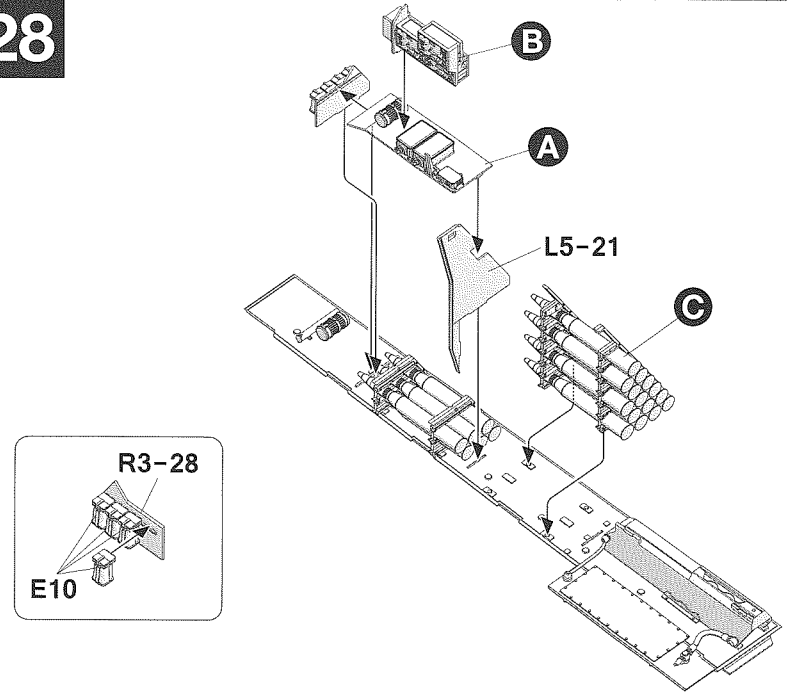




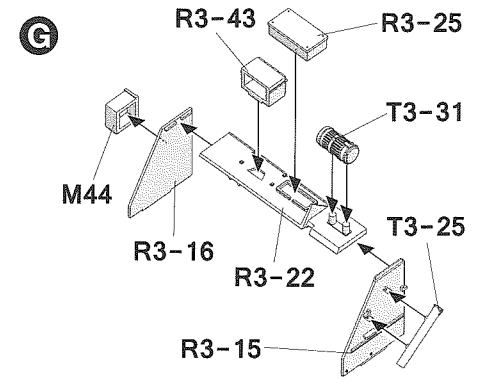
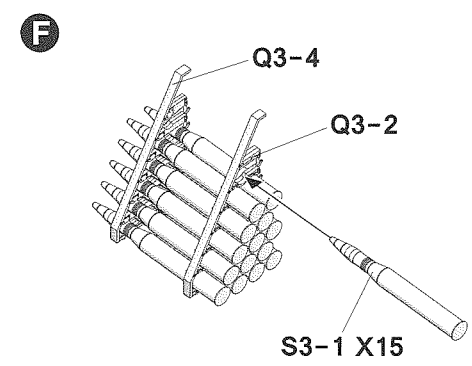
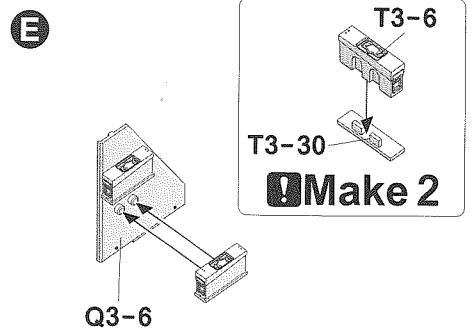
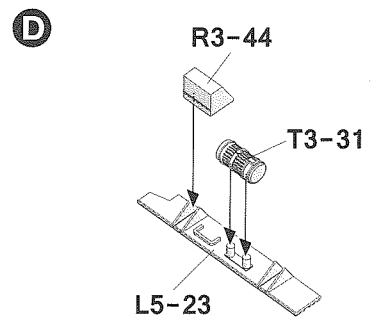
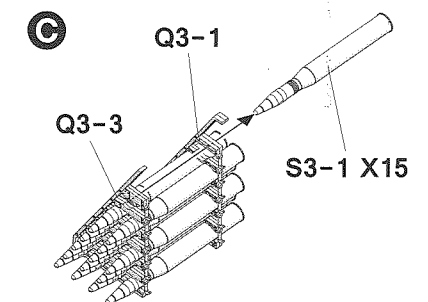
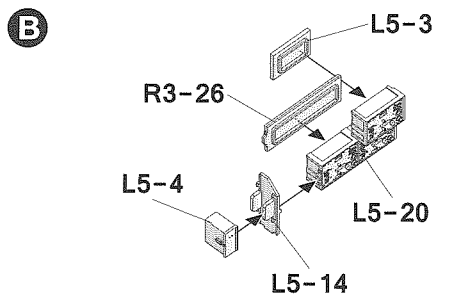
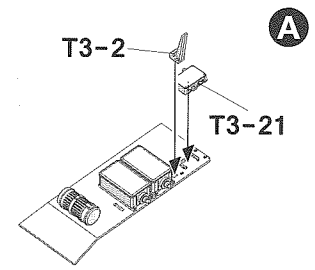
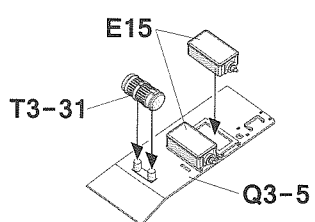
26



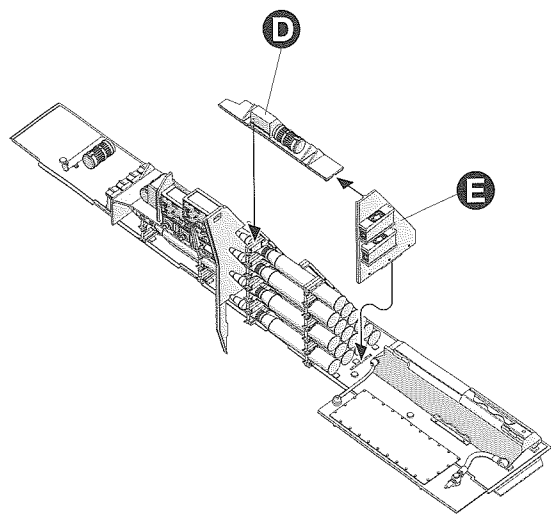
28



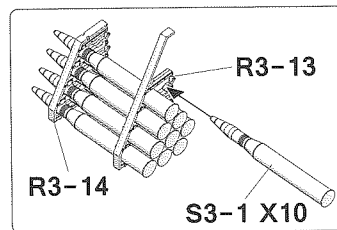
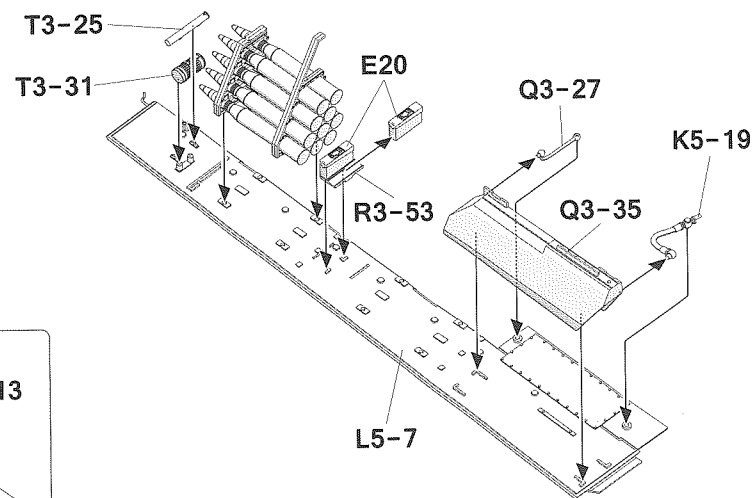
27



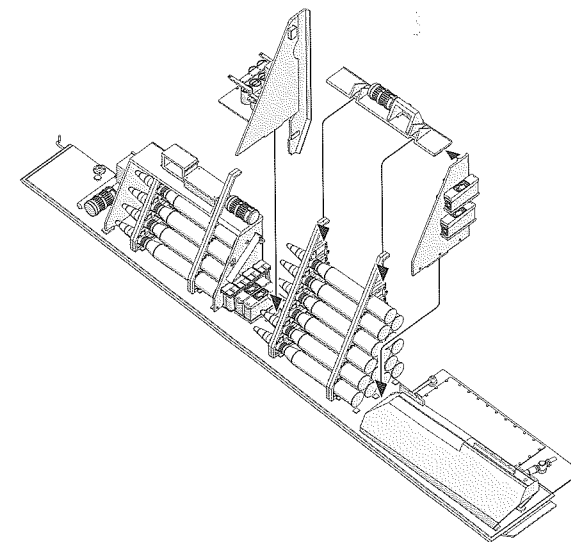
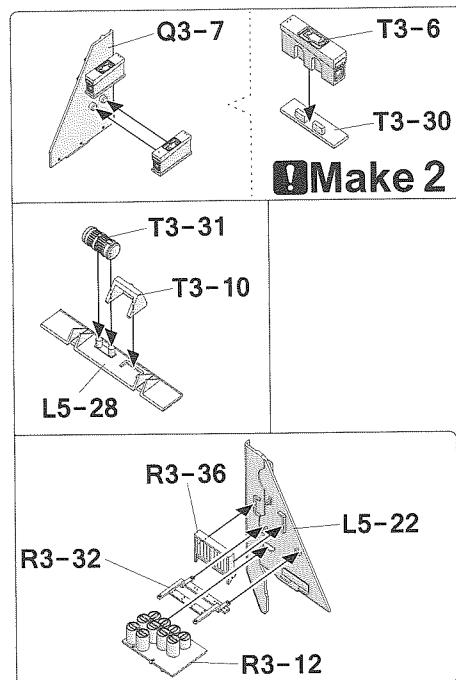
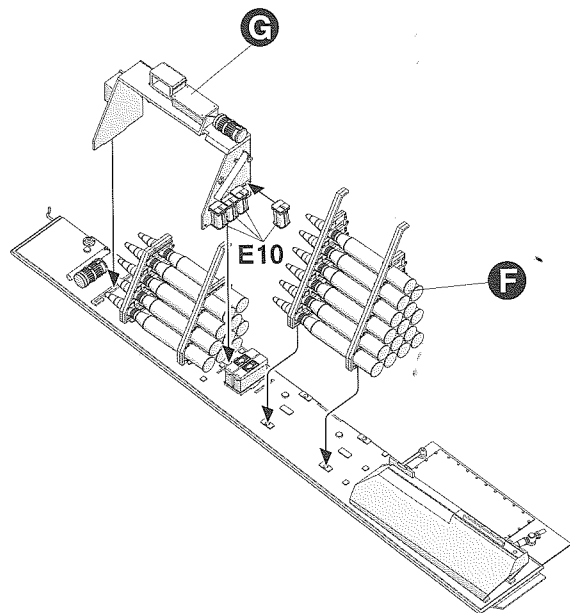
29

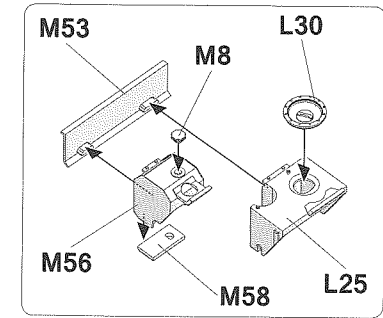
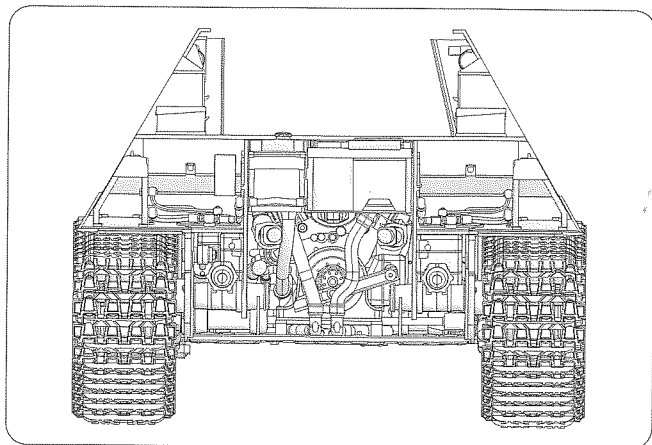
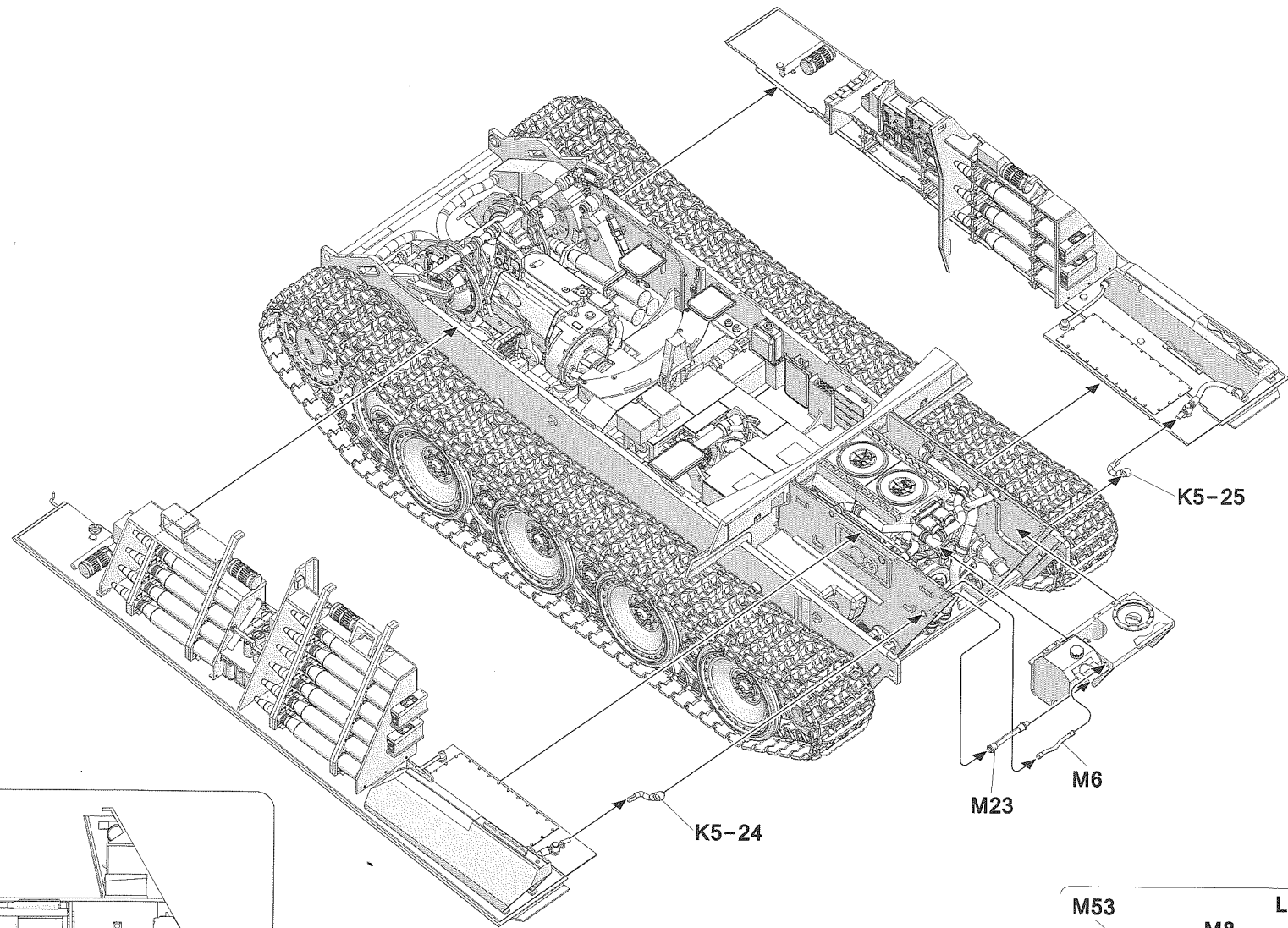


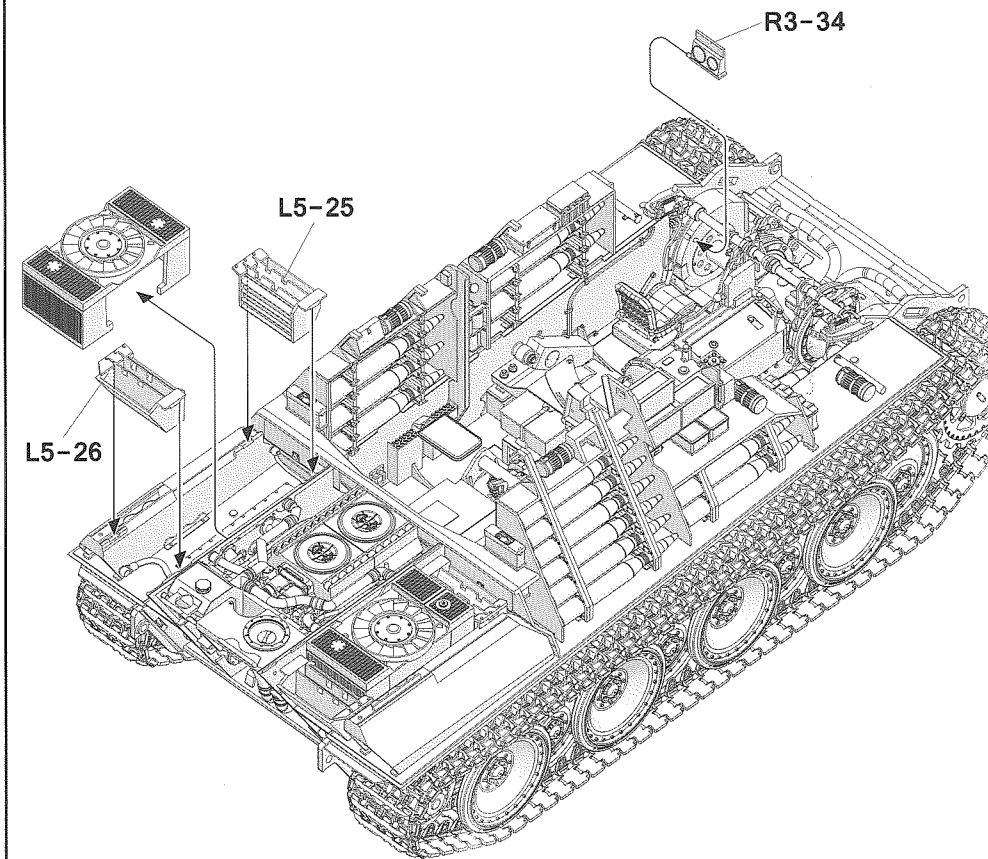
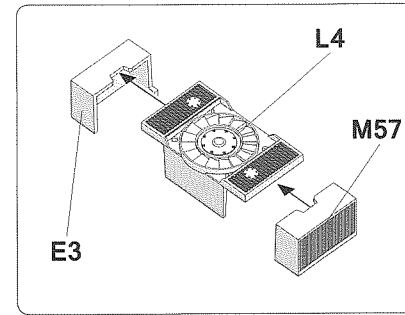
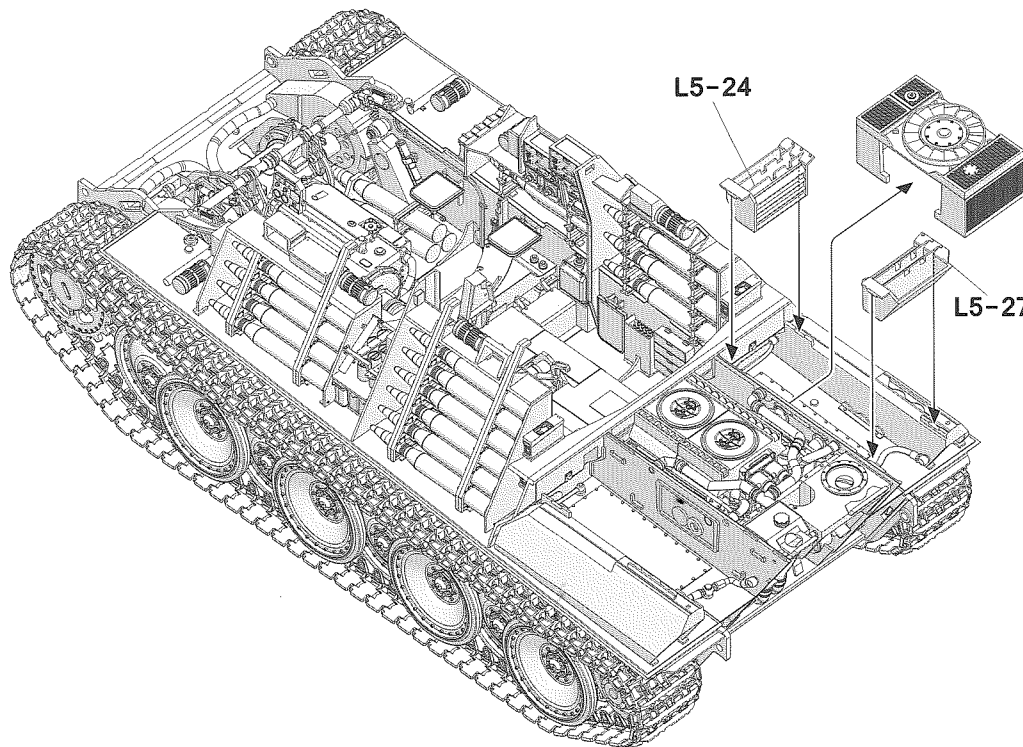
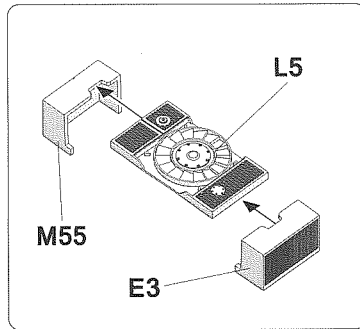
30

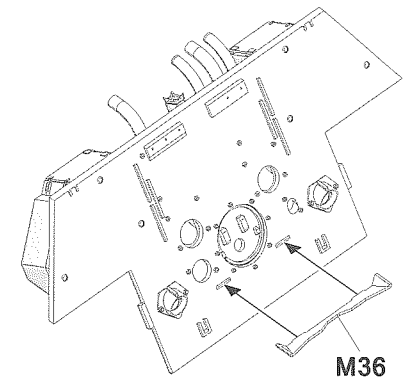
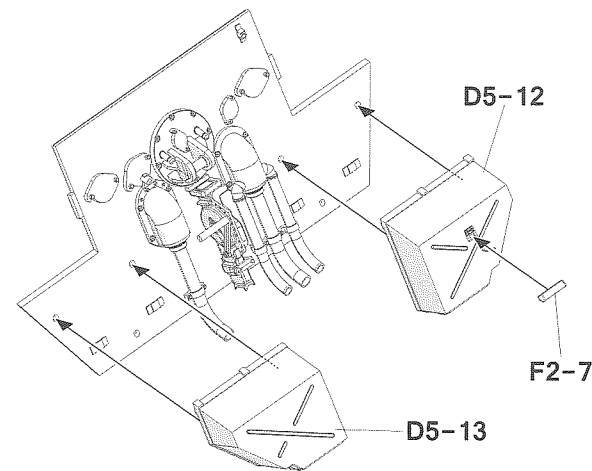
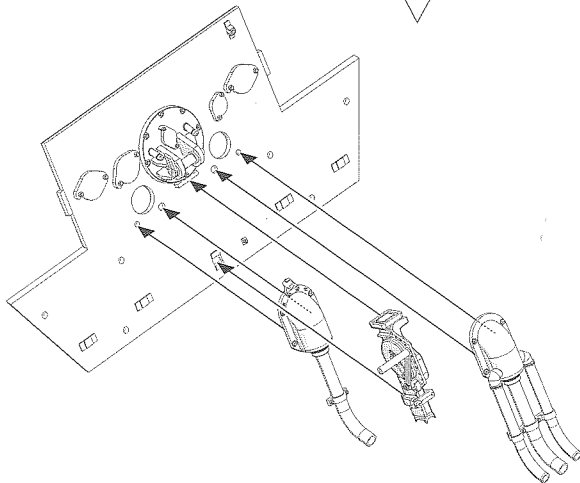
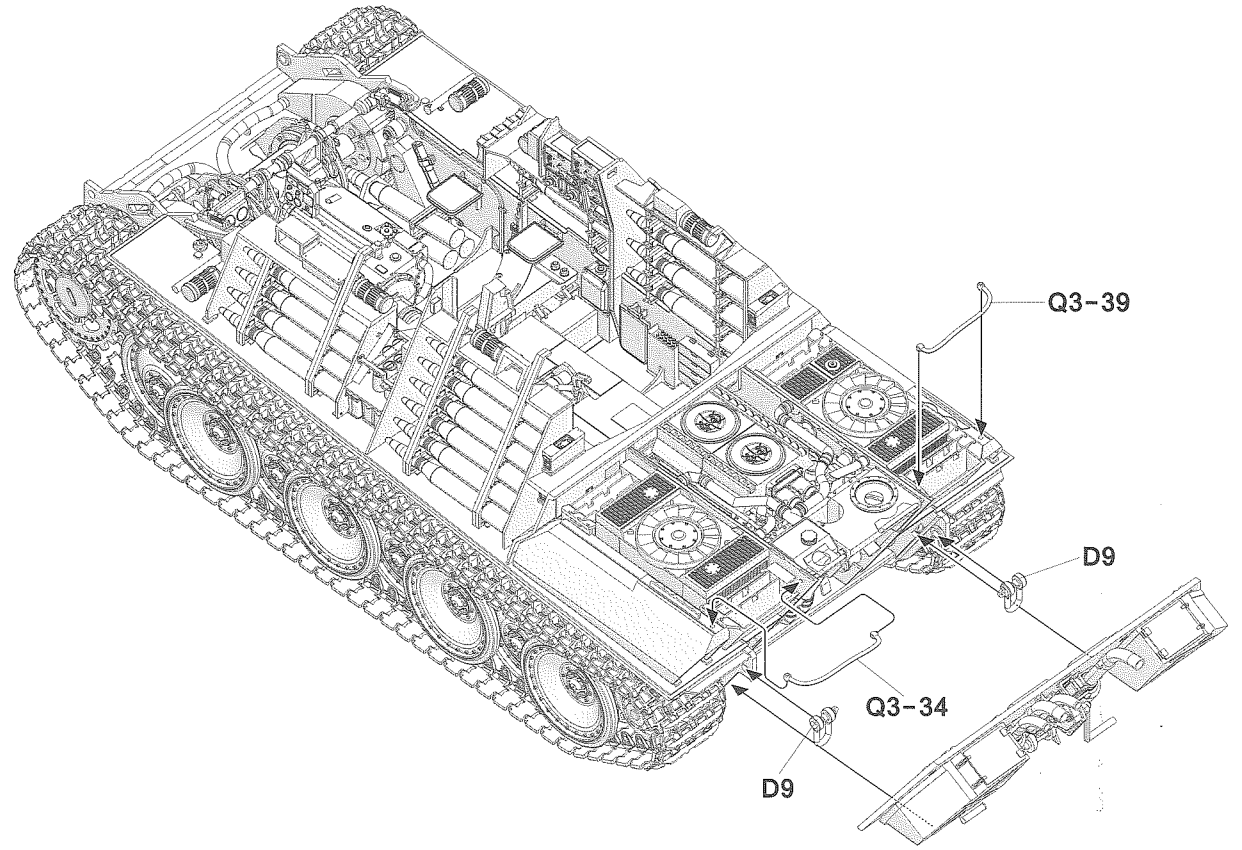
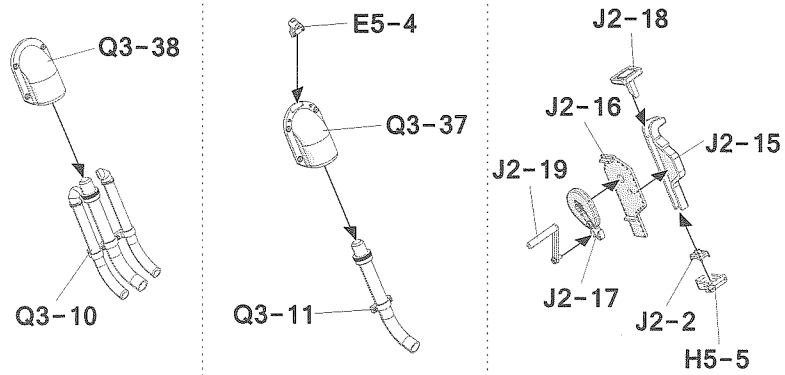
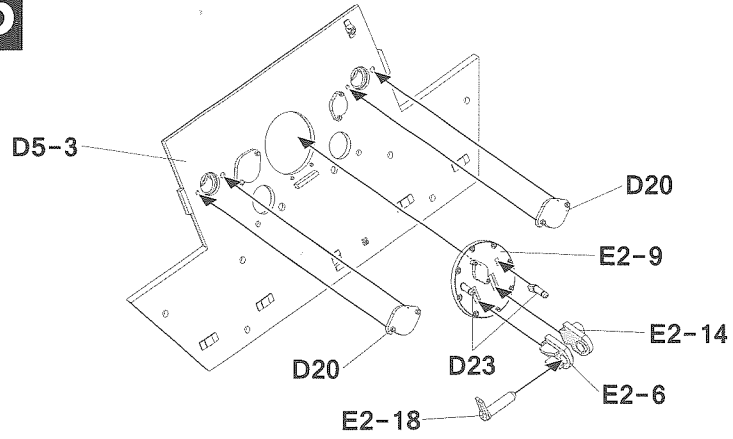


31

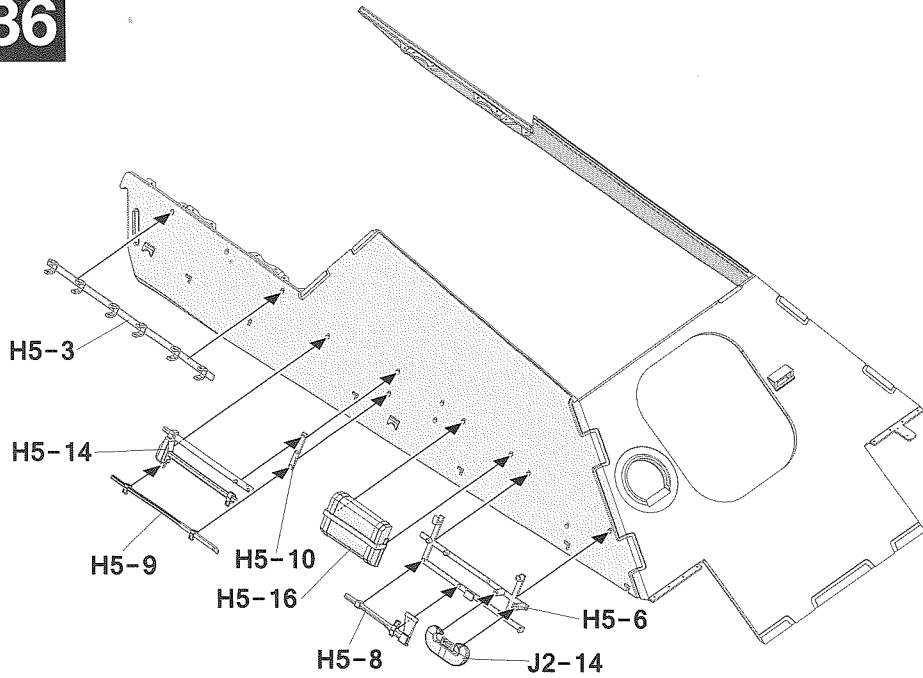




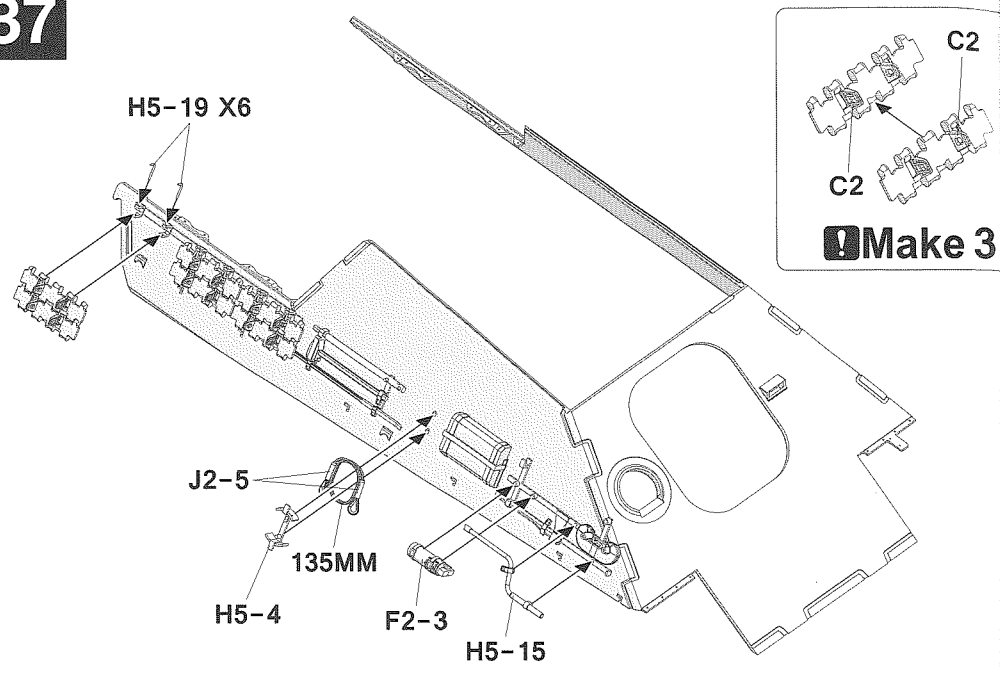




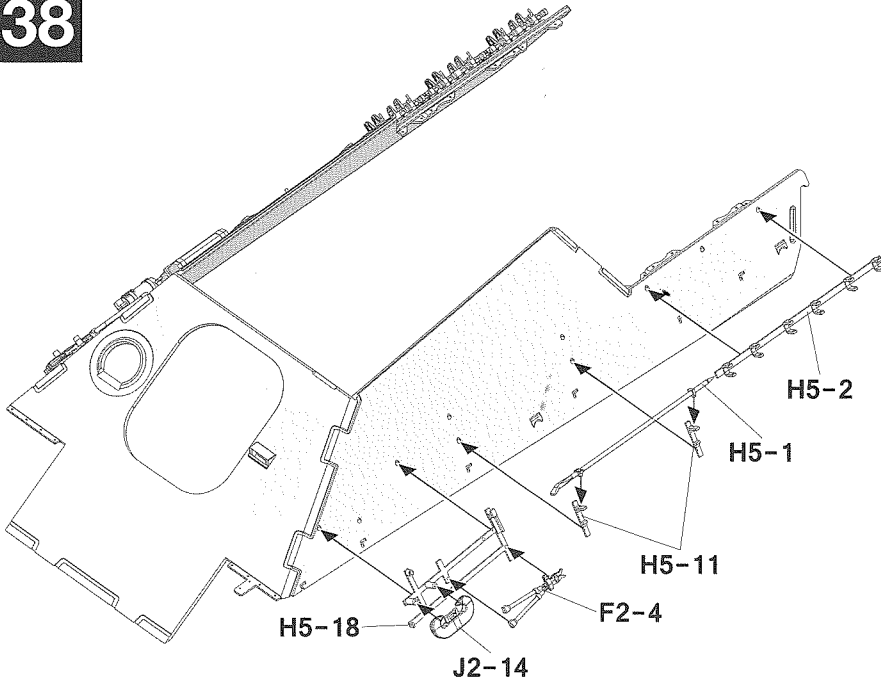
36



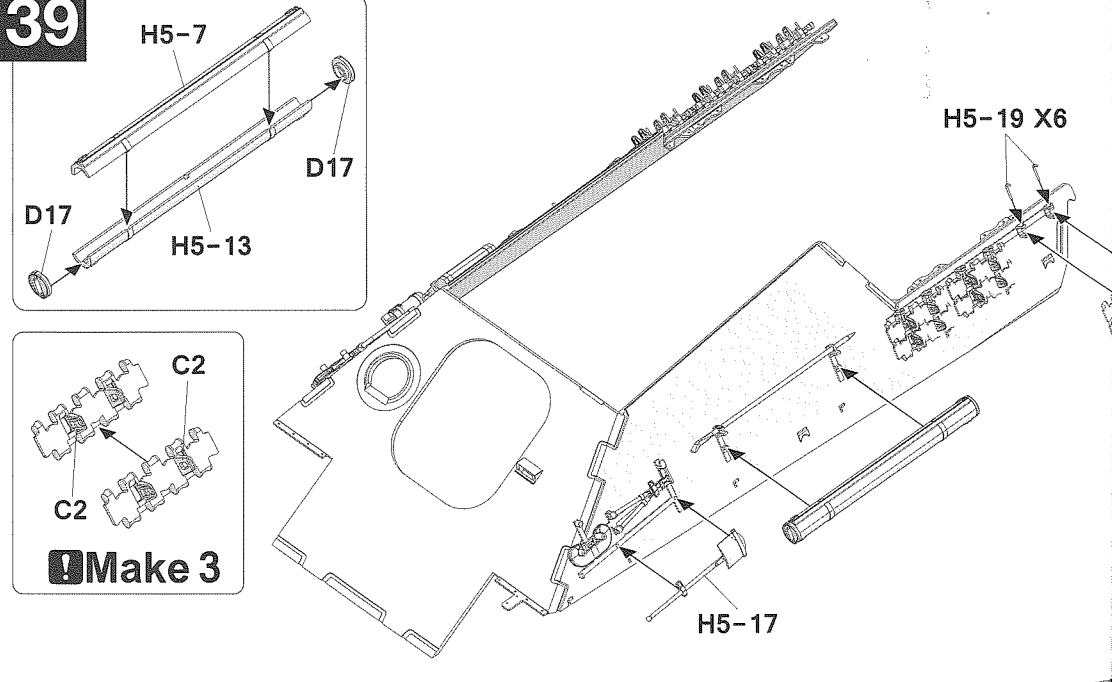
37



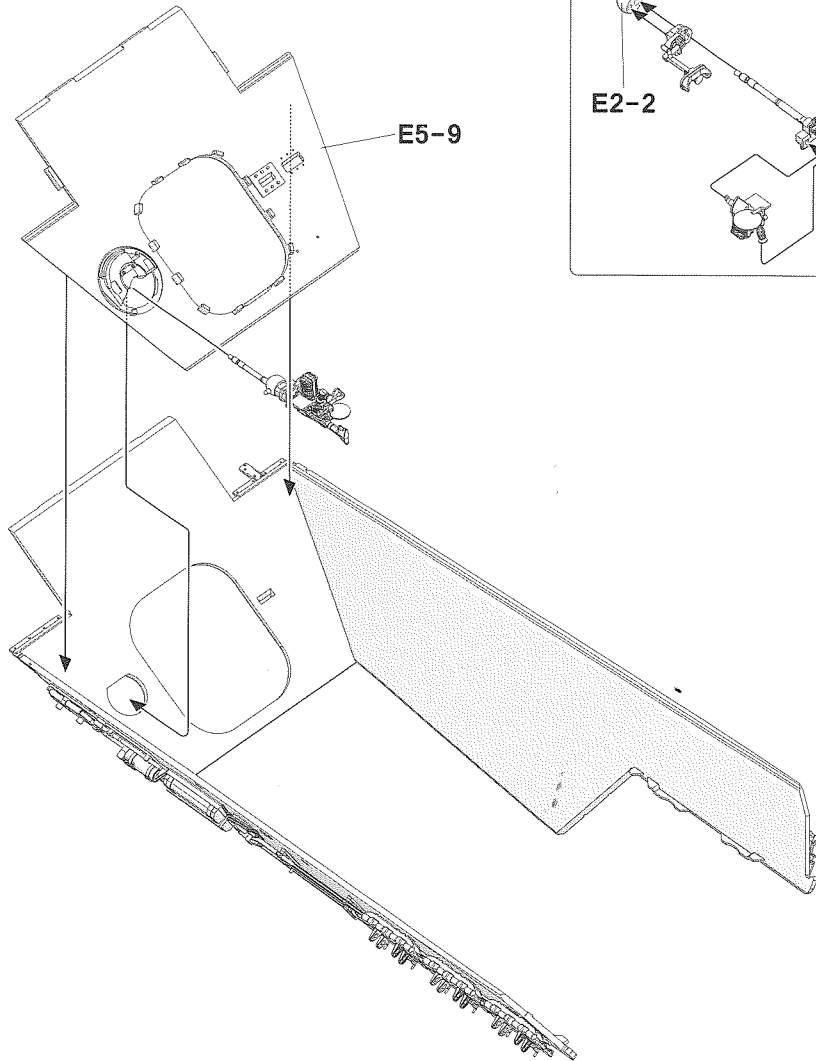
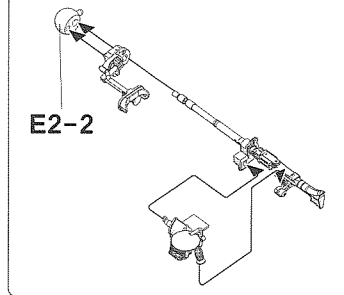
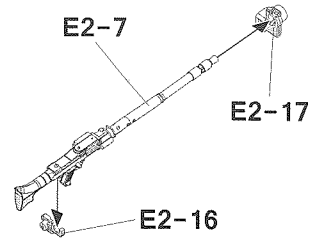
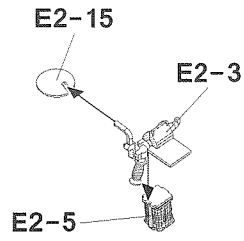
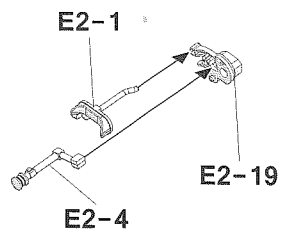
38



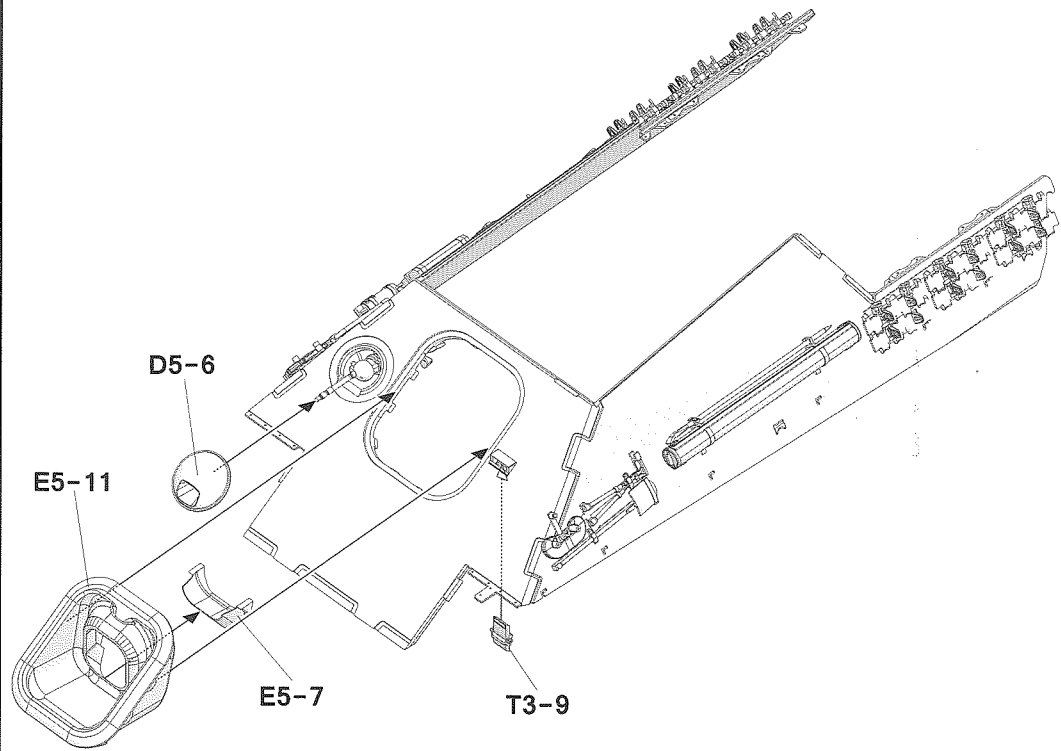
39

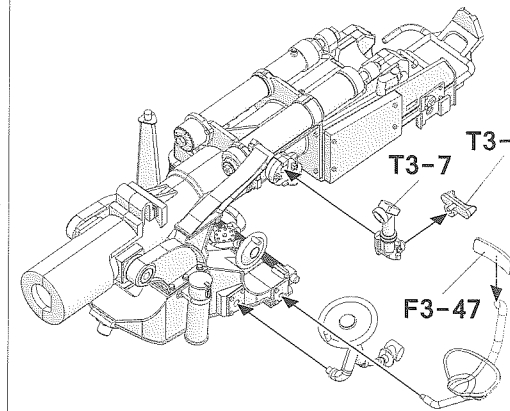
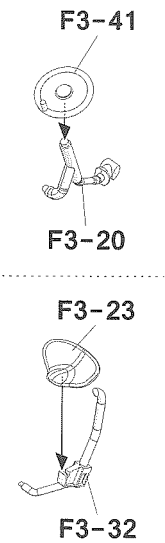
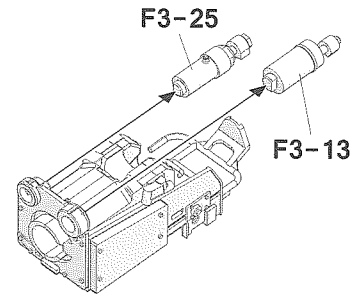
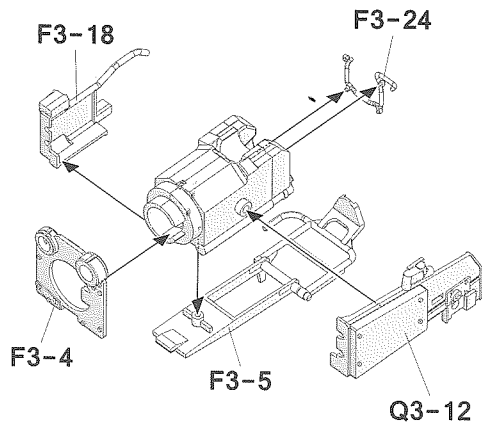
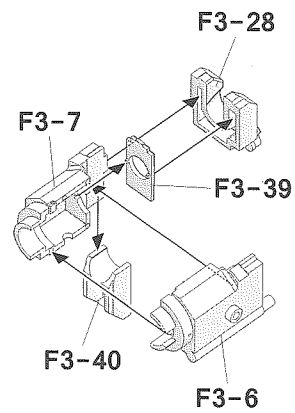
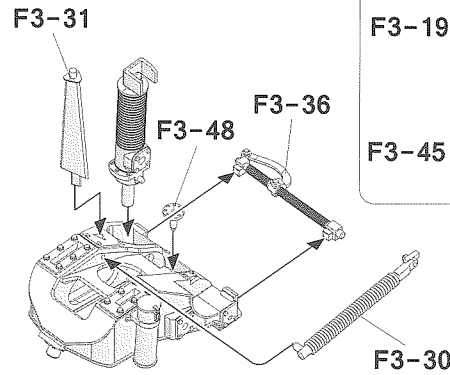
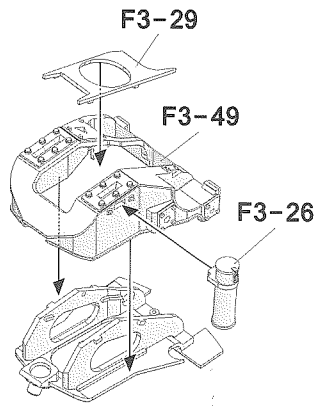
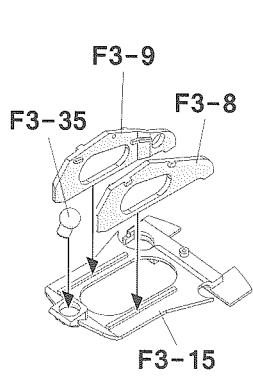
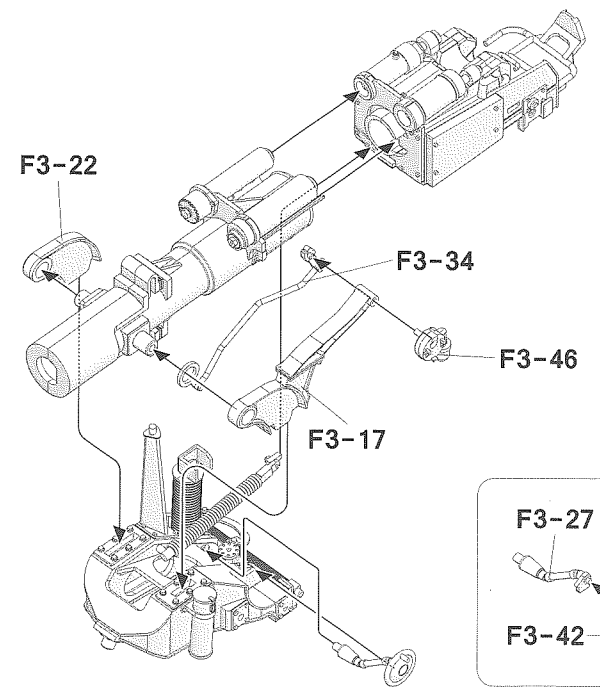
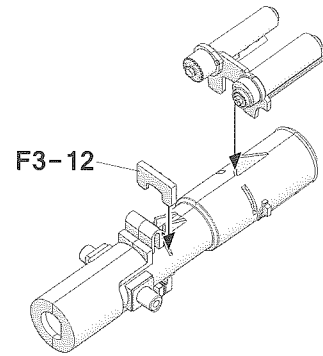
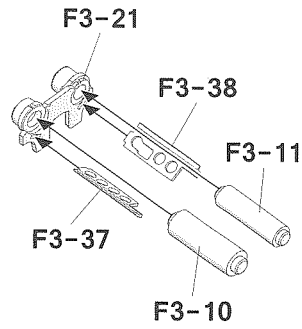
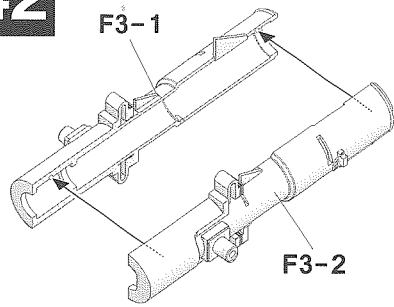


40



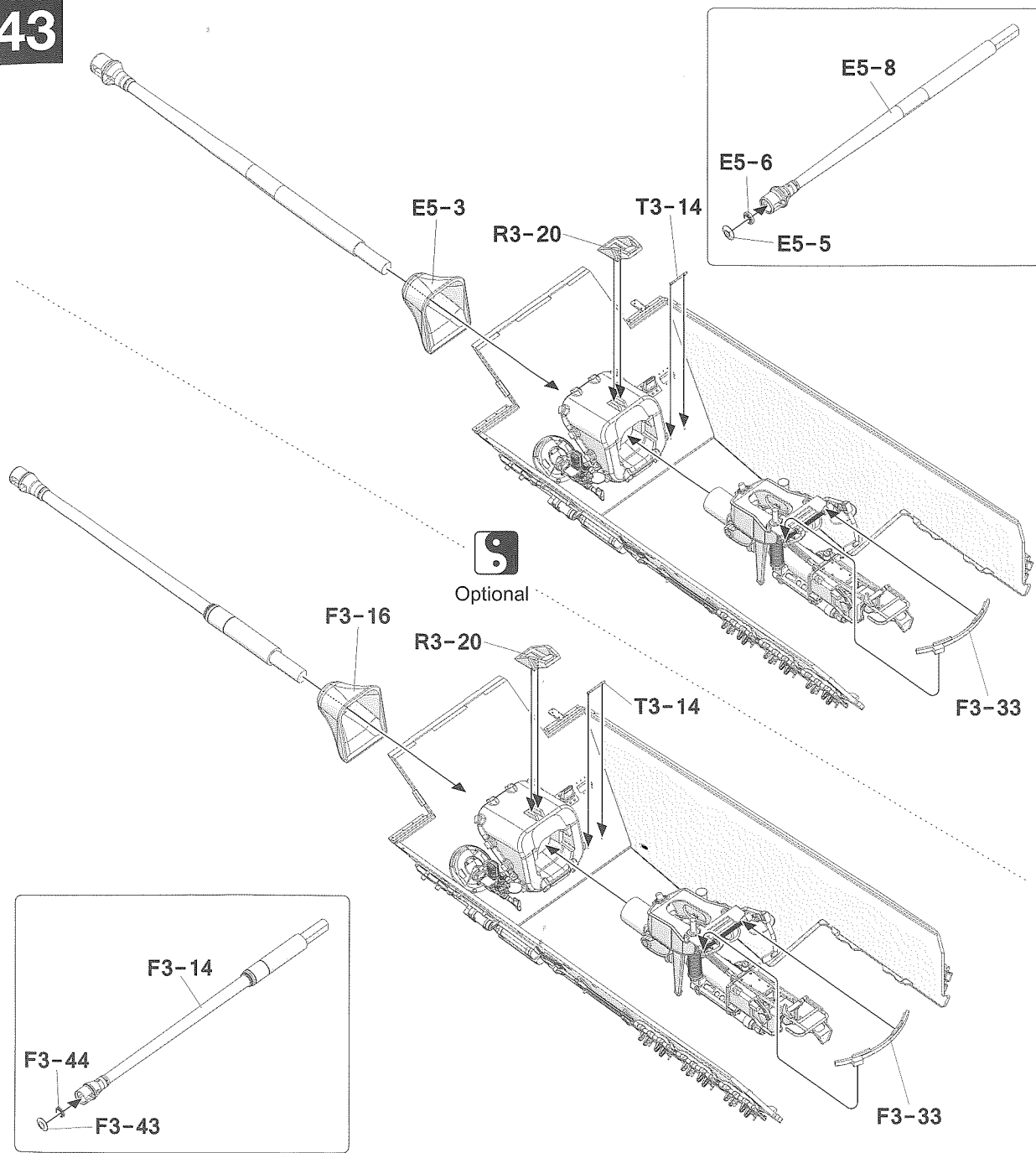
41



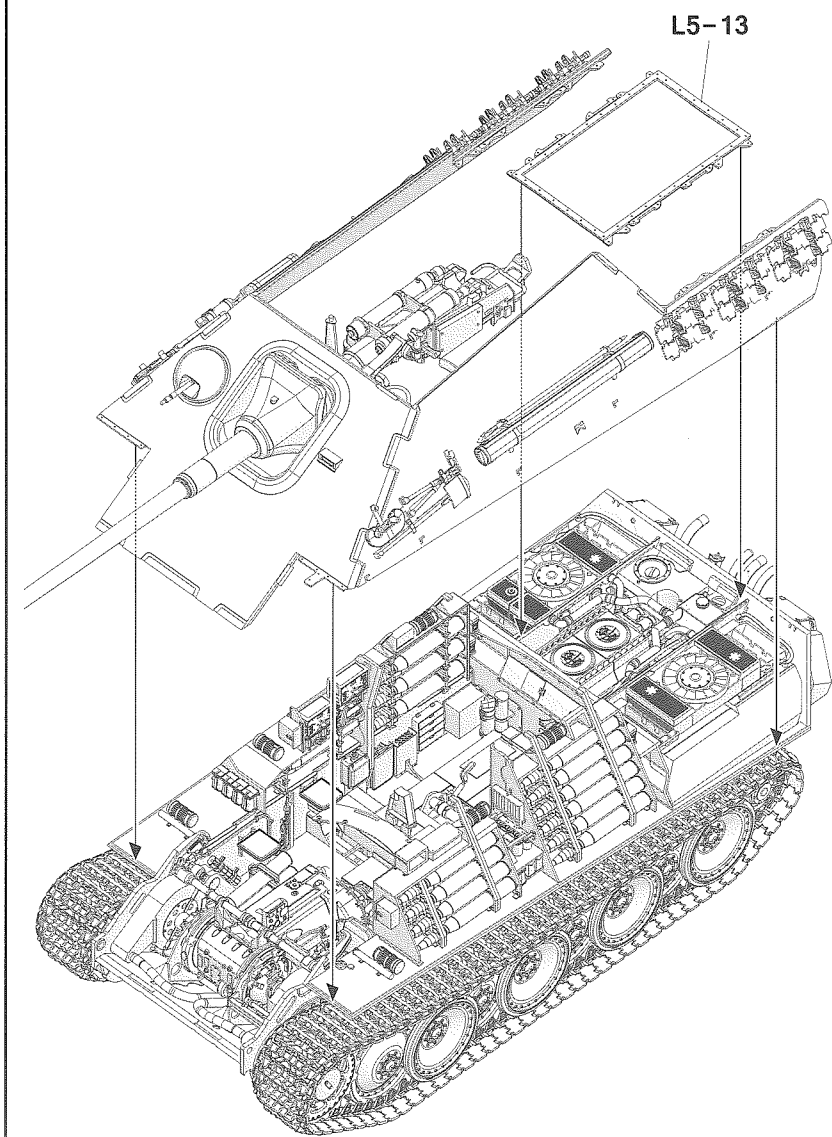


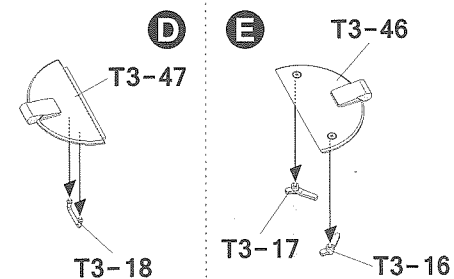
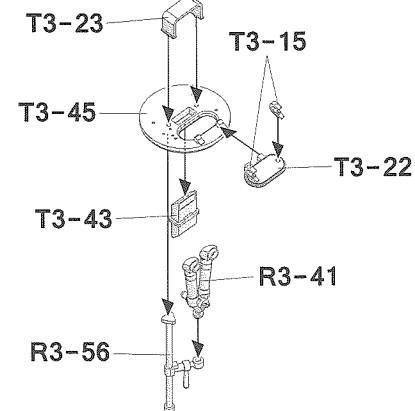
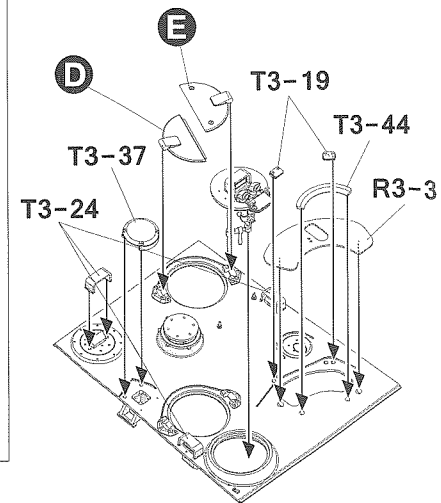
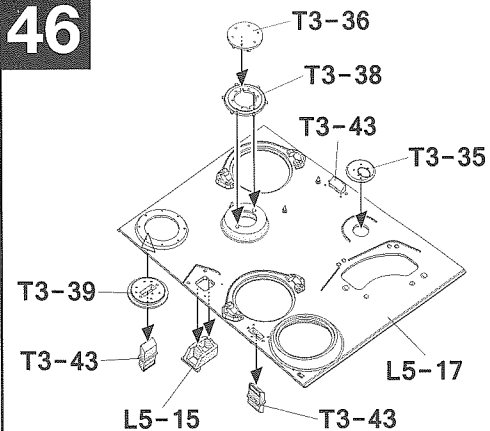
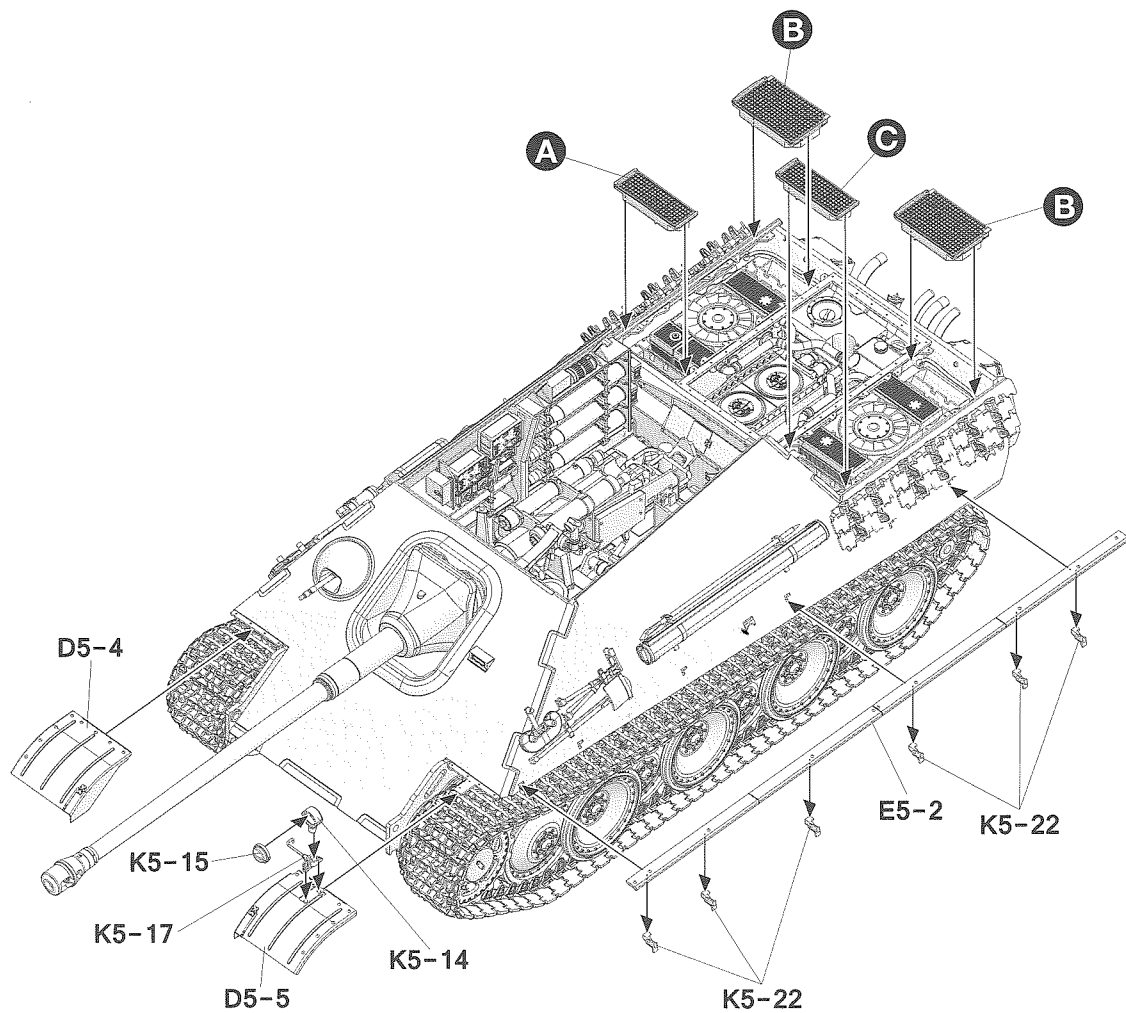
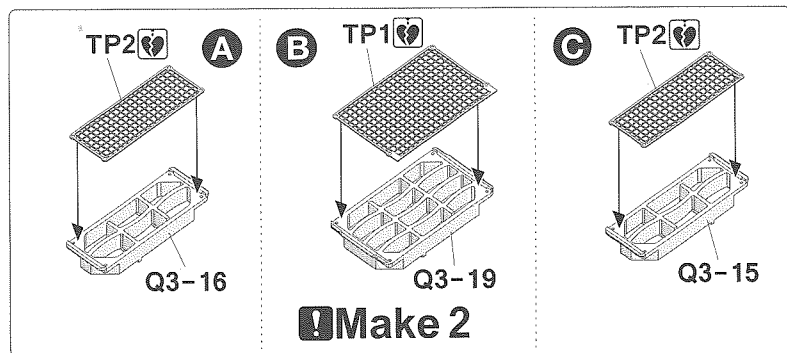


43



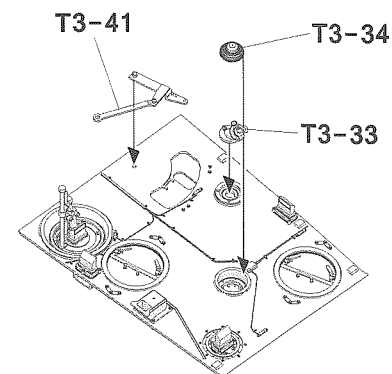
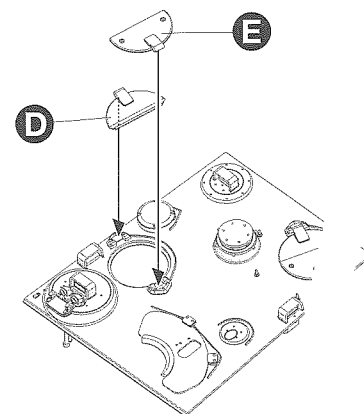
44



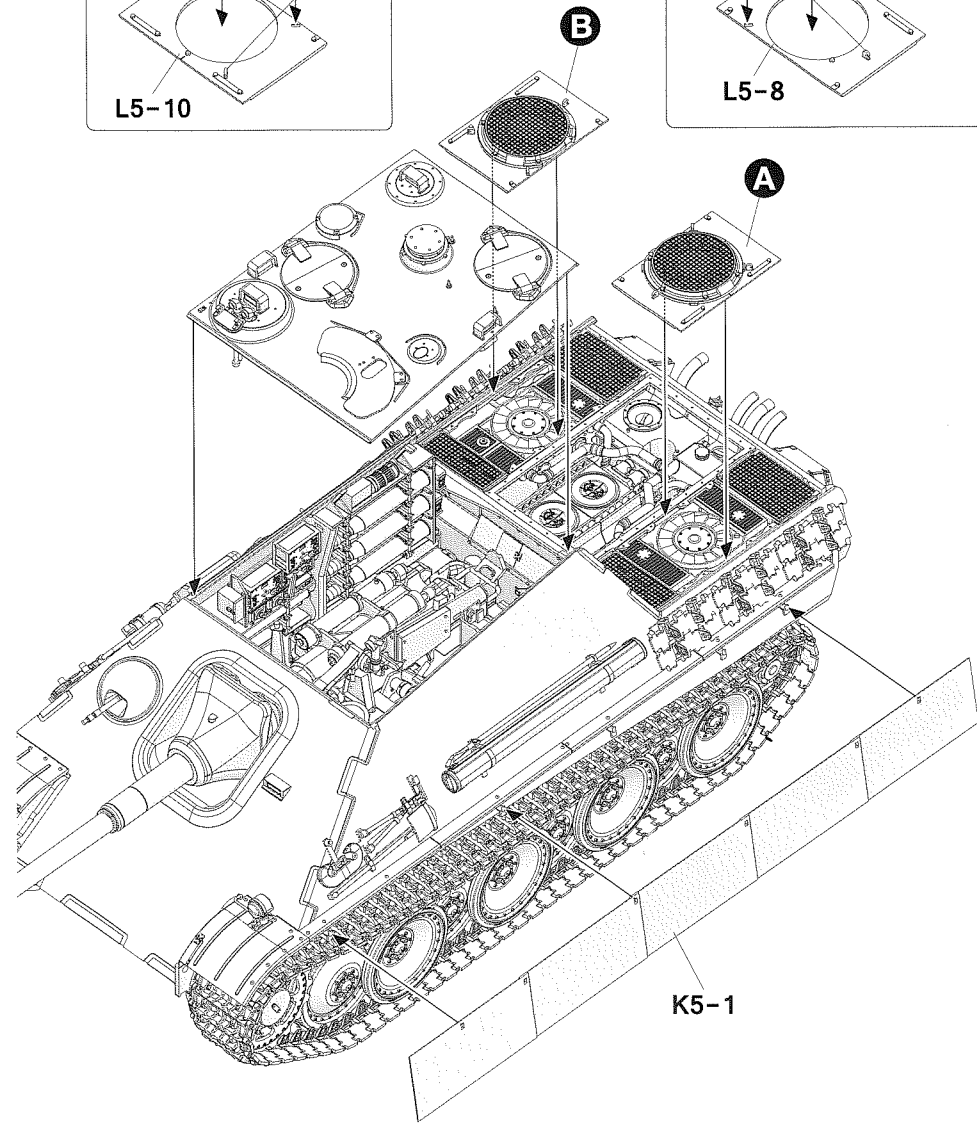
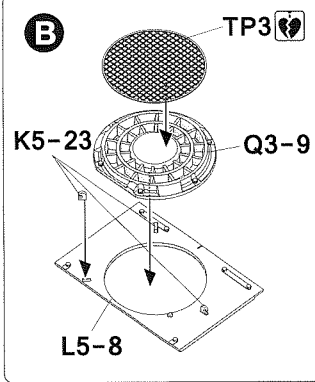
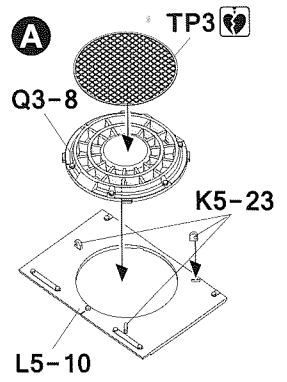


**Make 2**

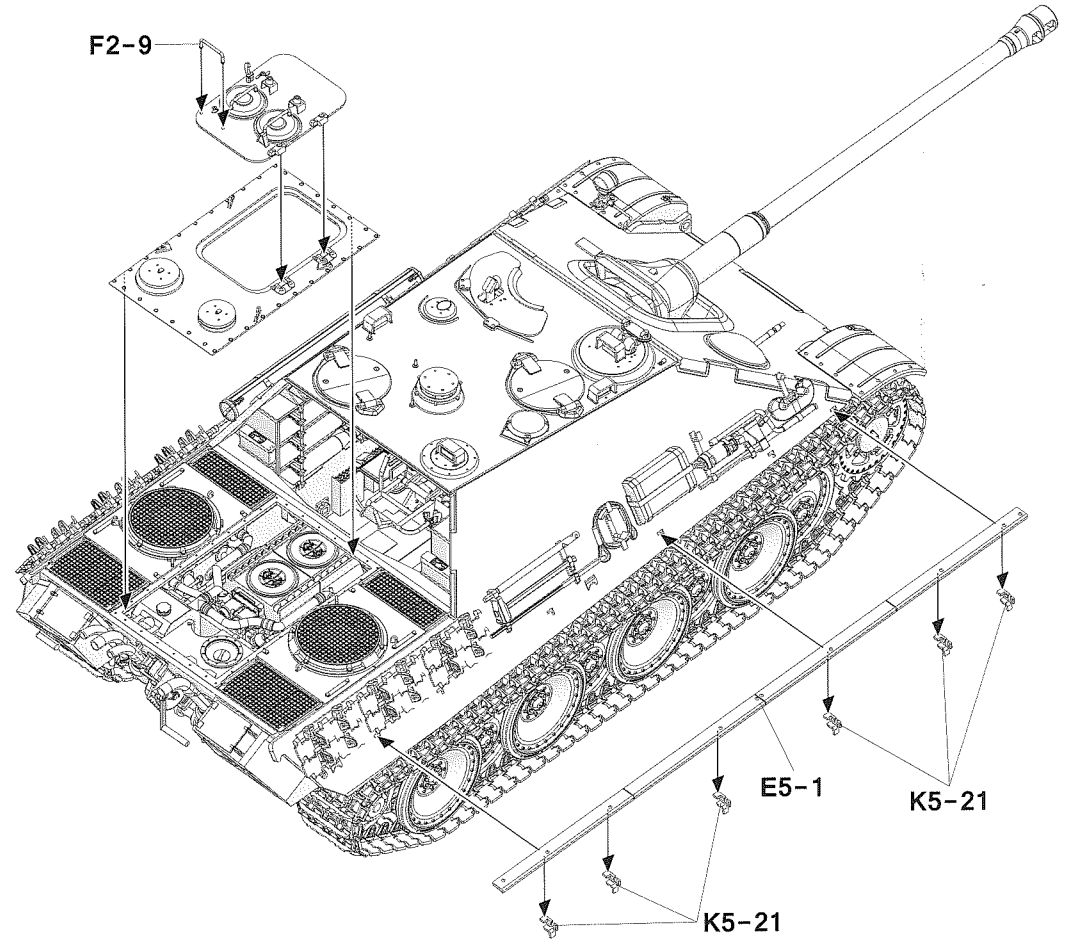
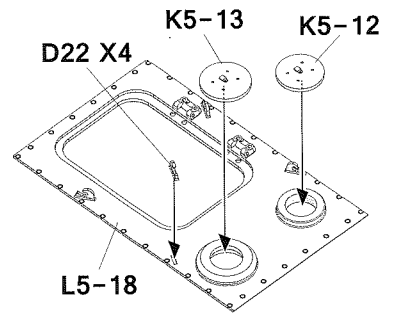
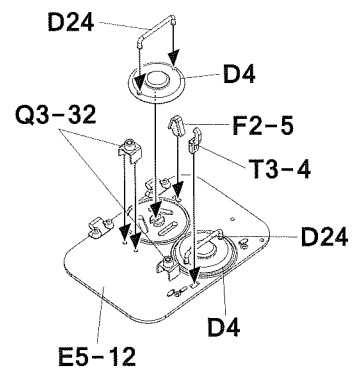
**Make 2**

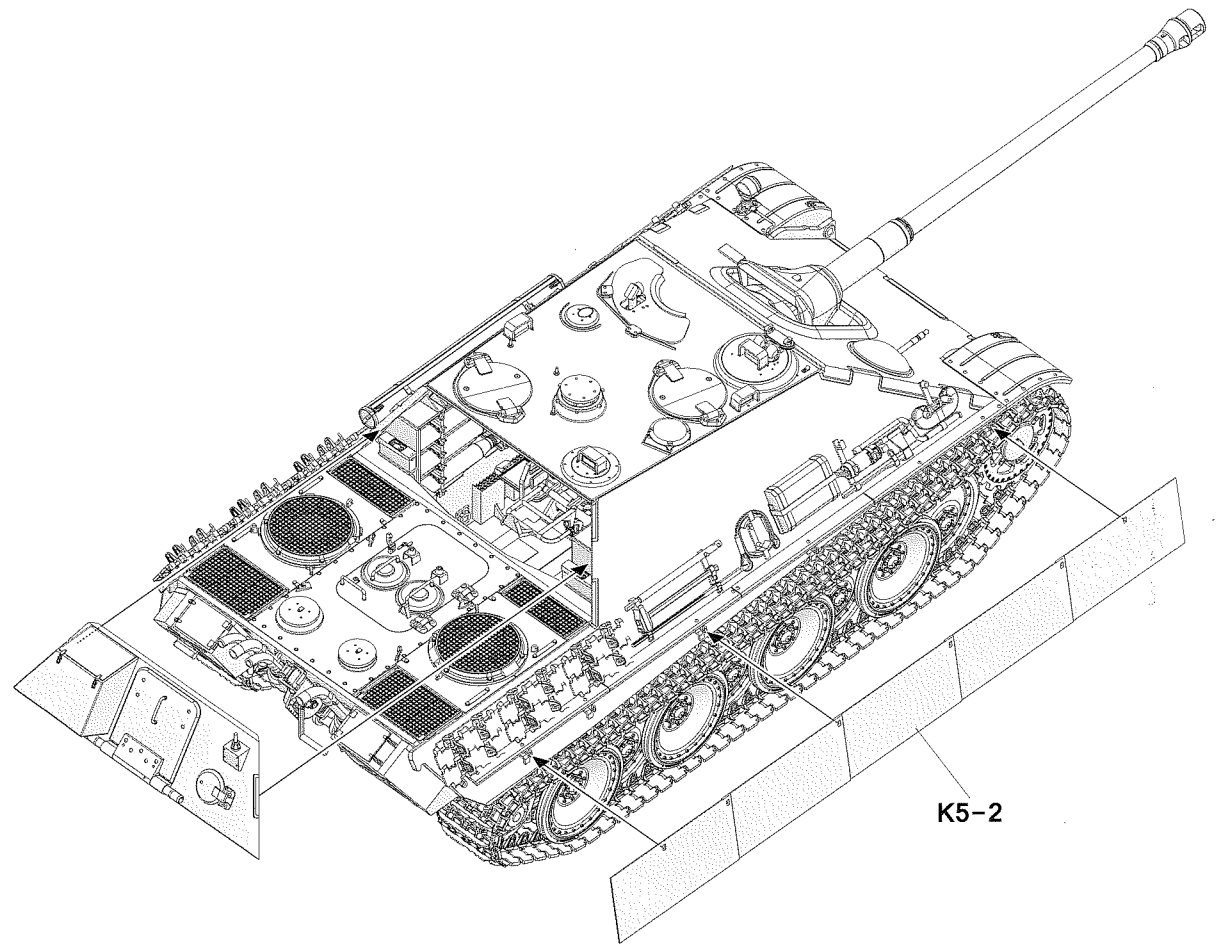
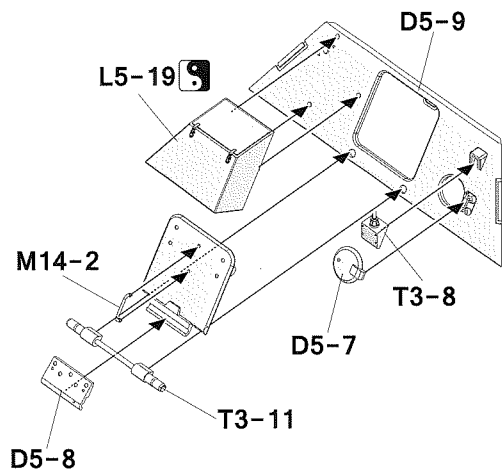
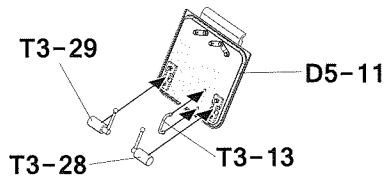
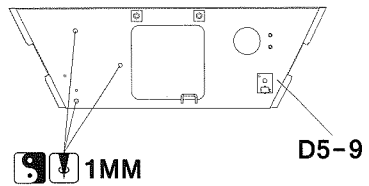


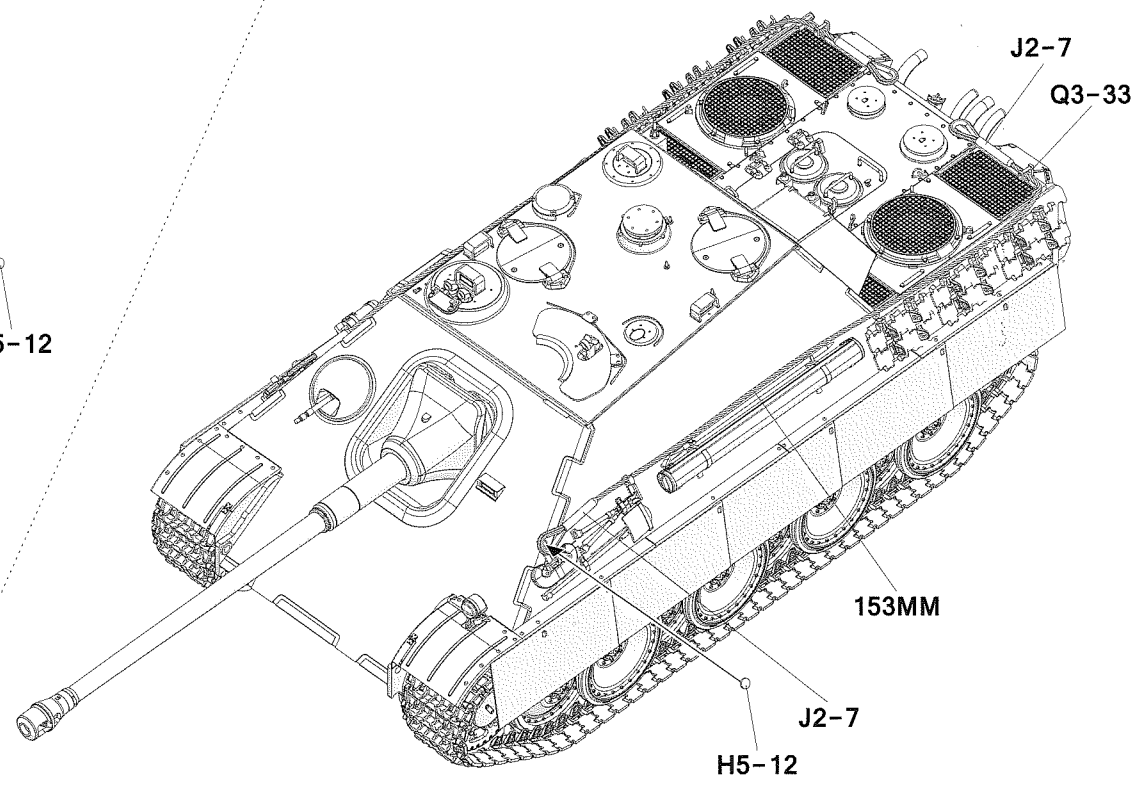
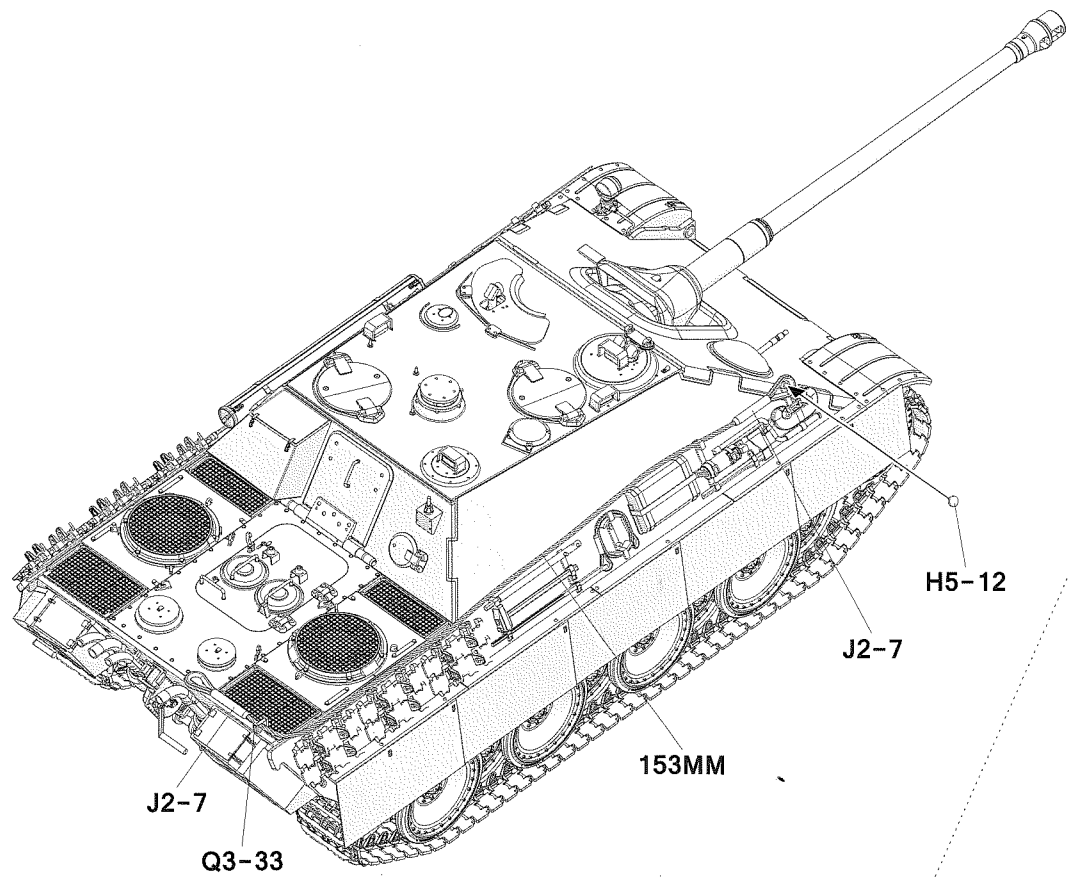
47



48









# Jagdpanther Ausf.G1



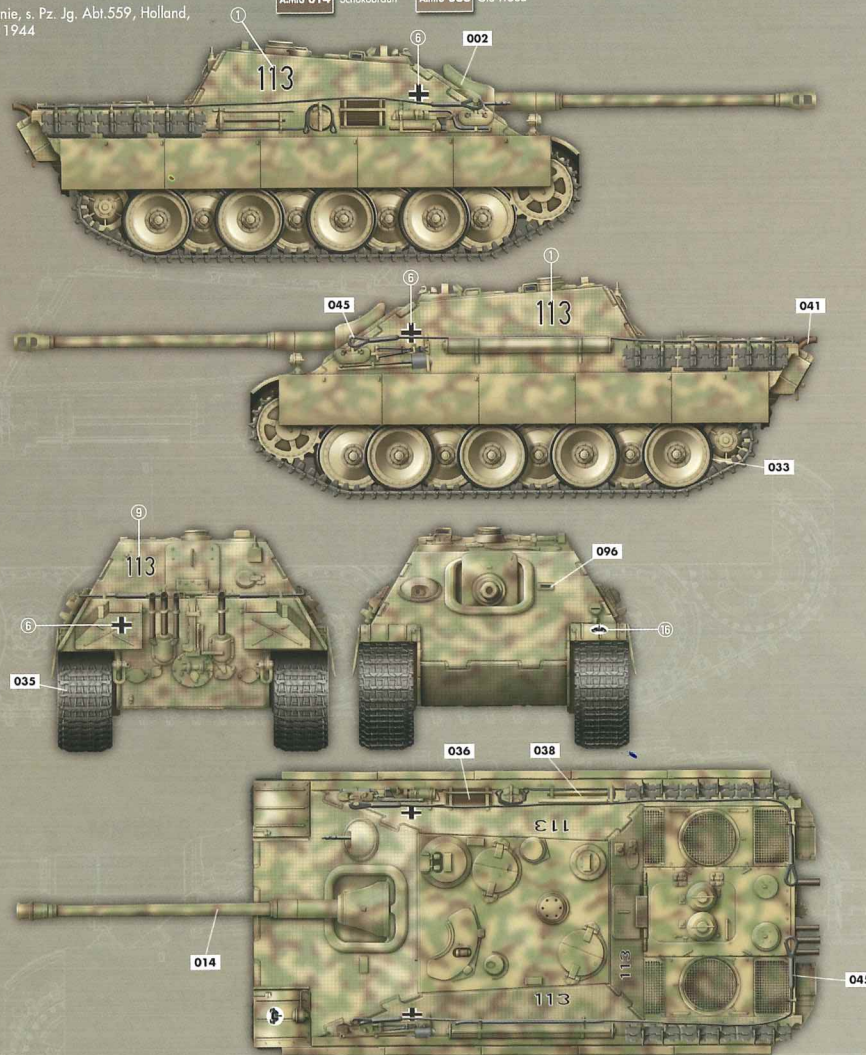
## Painting and Marking Guide

**TAKOM** Ref: 2125

Jagdpanther Ausf.G1 Mid/Late Production.

I Kompanie, s. Pz. Jg. Abt.559, Holland, Summer 1944

- A.MIG 033** Rubber & Tires
- A.MIG 035** Dark Tracks
- A.MIG 038** Light Wood
- A.MIG 041** Dark Rust
- A.MIG 045** Gun Metal
- A.MIG 096** Crystal Periscope Green
- A.MIG 002** Olivgrün Opt.2
- A.MIG 010** Dunkelgelb Mid war
- A.MIG 014** Schokobraun
- A.MIG 036** Old Wood



### WEATHERING STEPS WITH AMMO PRODUCTS

- |   |  |  |   |
|---|--|--|---|
| <p><b>1</b> GENERAL WASH<br/>A.MIG-1008 Dark Wash</p> <p><b>2</b> FILTER<br/>A.MIG-1510 Tan for 3 Tone Camo</p> | <p><b>3</b> STREAKING<br/>A.MIG-1203 Streaking Grime</p> <p><b>4</b> TRACK WASH<br/>A.MIG-1002 Tracks Wash</p> | <p><b>5</b> RUST<br/>A.MIG-1254 Streakingbrusher Rust</p> <p><b>6</b> DUST<br/>A.MIG-3012 Sand</p> | <p><b>7</b> MUD &amp; SPLASHES<br/>A.MIG-1701 Thick Soil / A.MIG-1751 Dry Steppe</p> <p><b>8</b> GREASE &amp; OIL<br/>A.MIG-1408 Fresh Engine Oil</p> |
|---|--|--|---|



# Jagdpanther Ausf.G1



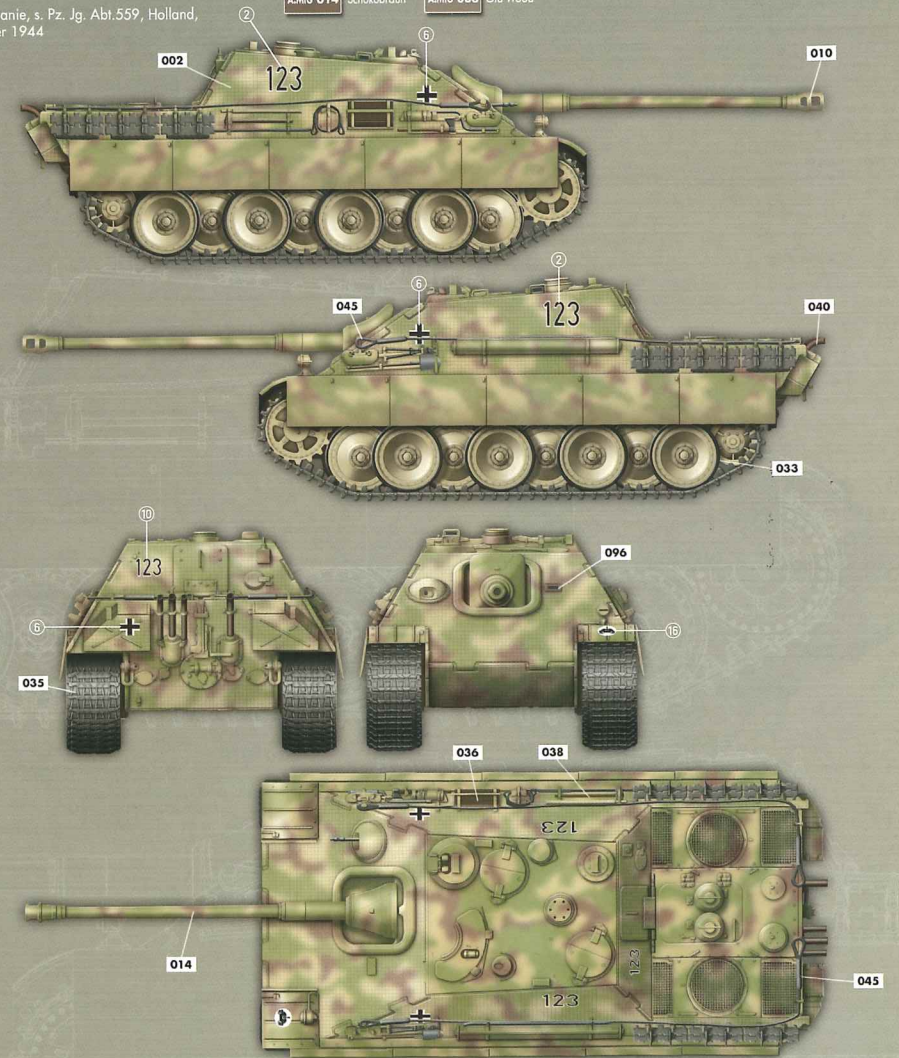
## Painting and Marking Guide

**TAKOM** Ref: 2125

Jagdpanther Ausf.G1 Mid/Late Production.

I Kompanie, s. Pz. Jg. Abt.559, Holland, Summer 1944

- A.MIG 033** Rubber & Tires
- A.MIG 035** Dark Tracks
- A.MIG 038** Light Wood
- A.MIG 040** Medium Rust
- A.MIG 045** Gun Metal
- A.MIG 096** Crystal Periscope Green
- A.MIG 002** Olivgrün Opt.2
- A.MIG 010** Dunkelgelb Mid war
- A.MIG 014** Schokobraun
- A.MIG 036** Old Wood



### WEATHERING STEPS WITH AMMO PRODUCTS

- |  |   |  |   |
|--|---|--|---|
| <p><b>1</b> GENERAL WASH<br/>A.MIG-1005 Dark Brown Wash for Green vehicles</p> <p><b>2</b> FILTER<br/>A.MIG-1510 Tan for 3 Tone Camo</p> | <p><b>3</b> STREAKING<br/>A.MIG-1253 Streakingbrusher Grime</p> <p><b>4</b> TRACK WASH<br/>A.MIG-1002 Tracks Wash</p> | <p><b>5</b> RUST<br/>A.MIG-3510 Rust</p> <p><b>6</b> DUST<br/>A.MIG-3011 Airfield Dust</p> | <p><b>7</b> MUD &amp; SPLASHES<br/>A.MIG-1704 Heavy Earth / A.MIG-1753 Turned Dirt</p> <p><b>8</b> GREASE &amp; OIL<br/>A.MIG-1408 Fresh Engine Oil</p> |
|--|---|--|---|

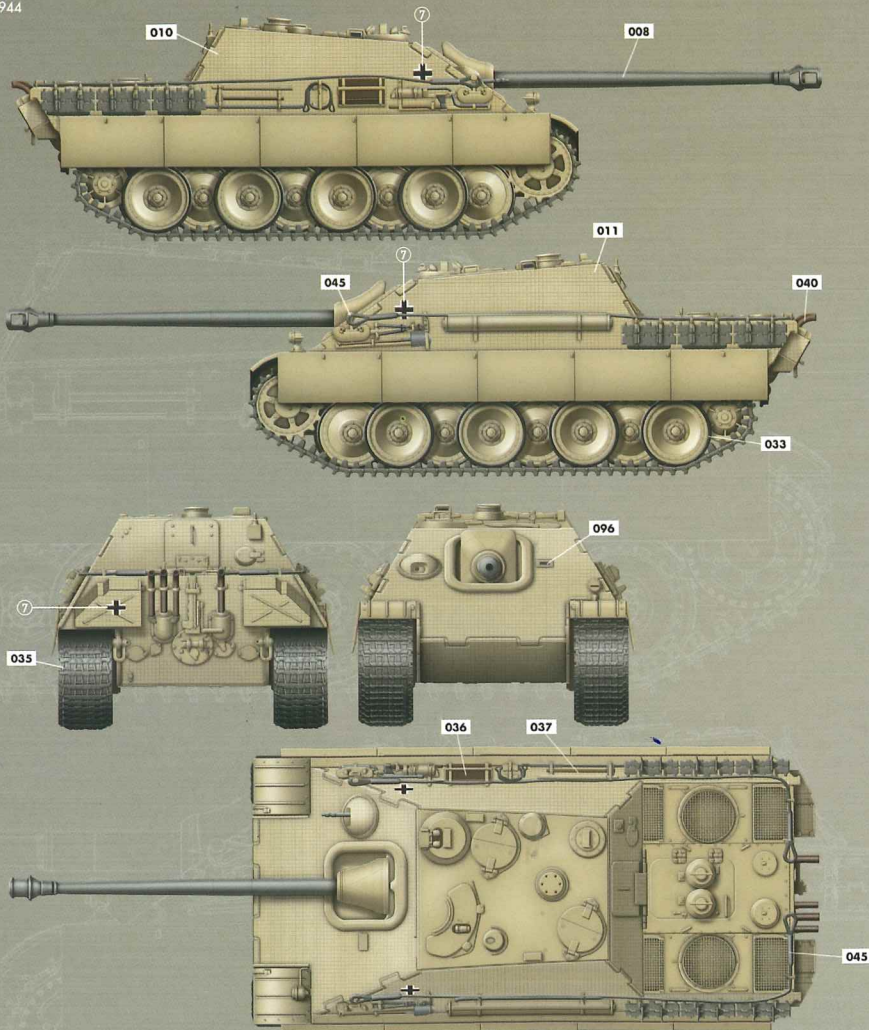
## Painting and Marking Guide

**TAKOM** Ref: 2125

Jagdpanther Ausf.G1 Mid/Late Production.

I Kompanie, s. Pz. Jg. Abt.654, France, Spring 1944

- A.MIG 033** Rubber & Tires
- A.MIG 035** Dark Tracks
- A.MIG 037** New Wood
- A.MIG 040** Medium Rust
- A.MIG 045** Gun Metal
- A.MIG 096** Crystal Periscope Green
- A.MIG 010** Dunkelgelb Mid war
- A.MIG 036** Old Wood
- A.MIG 008** Dunkelgrau



### WEATHERING STEPS WITH AMMO PRODUCTS

- |  |  |   |   |
|--|--|---|---|
| <p><b>1 GENERAL WASH</b><br/>A.MIG-1000 Brown Wash for Dark Yellow</p> <p><b>2 FILTER</b><br/>A.MIG-1511 Brown for Dark Yellow</p> | <p><b>3 STREAKING</b><br/>A.MIG-1203 Streaking Grime</p> <p><b>4 TRACK WASH</b><br/>A.MIG-1002 Tracks Wash</p> | <p><b>5 RUST</b><br/>A.MIG-1254 Streakingbrusher Rust</p> <p><b>6 DUST</b><br/>A.MIG-3011 Airfield Dust</p> | <p><b>7 MUD &amp; SPLASHES</b><br/>A.MIG-1704 Heavy Earth / A.MIG-1753 Turned Dirt</p> <p><b>8 GREASE &amp; OIL</b><br/>A.MIG-1408 Fresh Engine Oil</p> |
|--|--|---|---|

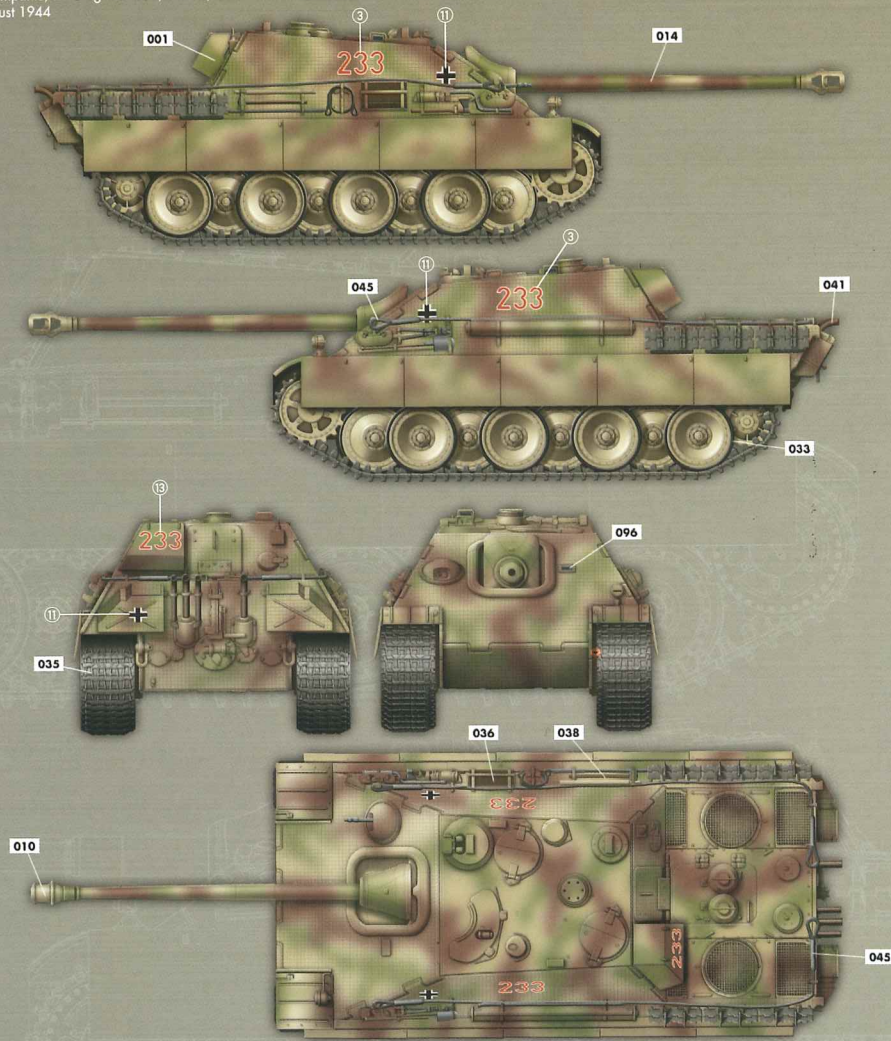
## Painting and Marking Guide

**TAKOM** Ref: 2125

Jagdpanther Ausf.G1 Mid/Late Production.

II Kompanie, s. Pz. Jg. Abt.654, France, August 1944

- A.MIG 033** Rubber & Tires
- A.MIG 035** Dark Tracks
- A.MIG 038** Light Wood
- A.MIG 041** Dark Rust
- A.MIG 045** Gun Metal
- A.MIG 096** Crystal Periscope Green
- A.MIG 001** Olivgrün Opt.I
- A.MIG 010** Dunkelgelb Mid war
- A.MIG 014** Schokobraun
- A.MIG 036** Old Wood



### WEATHERING STEPS WITH AMMO PRODUCTS

- |  |   |   |  |
|--|---|---|--|
| <p><b>1 GENERAL WASH</b><br/>A.MIG-1000 Brown Wash for Dark Yellow</p> <p><b>2 FILTER</b><br/>A.MIG-1510 Ten for 3 Tone Camo</p> | <p><b>3 STREAKING</b><br/>A.MIG-1253 Streakingbrusher Grime</p> <p><b>4 TRACK WASH</b><br/>A.MIG-1002 Tracks Wash</p> | <p><b>5 RUST</b><br/>A.MIG-1253 Streaking Rust Effects</p> <p><b>6 DUST</b><br/>A.MIG-3013 Rubble</p> | <p><b>7 MUD &amp; SPLASHES</b><br/>A.MIG-1703 Mire Ground / A.MIG-1752 Loose Ground</p> <p><b>8 GREASE &amp; OIL</b><br/>A.MIG-1408 Fresh Engine Oil</p> |
|--|---|---|--|

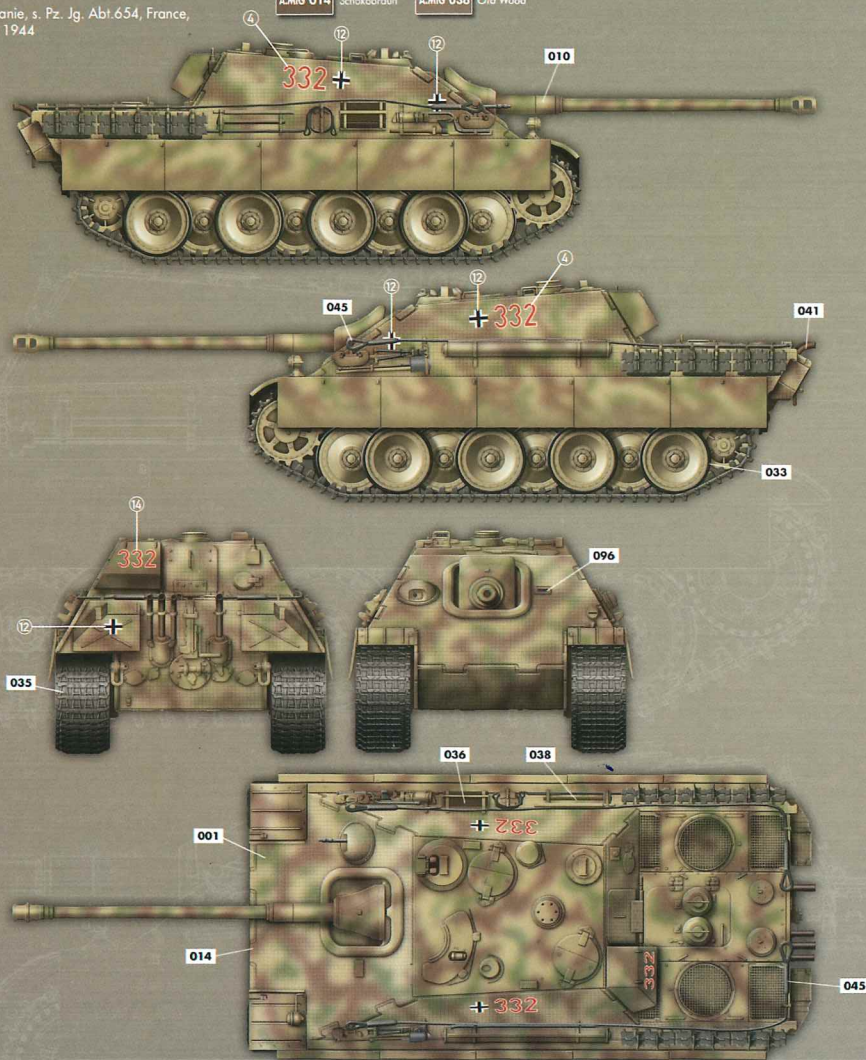
## Painting and Marking Guide

**TAKOM** Ref: 2125

Jagdpanther Ausf.G1 Mid/Late Production.

III Kompanie, s. Pz. Jg. Abt.654, France, Summer 1944

- A.MIG 033** Rubber & Tires
- A.MIG 035** Dark Tracks
- A.MIG 038** Light Wood
- A.MIG 041** Dark Rust
- A.MIG 045** Gun Metal
- A.MIG 096** Crystal Periscope Green
- A.MIG 001** Olivgrün Opt.1
- A.MIG 010** Dunkelgelb Mid war
- A.MIG 014** Schokobraun
- A.MIG 036** Old Wood



### WEATHERING STEPS WITH AMMO PRODUCTS

- |   |  |   |   |
|---|--|---|---|
| <p><b>1</b> GENERAL WASH<br/>A.MIG-1008 Dark Wash</p> <p><b>2</b> FILTER<br/>A.MIG-1510 Tan for 3 Tone Camo</p> | <p><b>3</b> STREAKING<br/>A.MIG-1256 Streakingbrusher Green-Gray Grime</p> <p><b>4</b> TRACK WASH<br/>A.MIG-1002 Tracks Wash</p> | <p><b>5</b> RUST<br/>A.MIG-1204 Streaking Rust Effects</p> <p><b>6</b> DUST<br/>A.MIG-3004 Europe Earth</p> | <p><b>7</b> MUD &amp; SPLASHES<br/>A.MIG-1104 Heavy Earth / A.MIG-1753 Turned Dirt</p> <p><b>8</b> GREASE &amp; OIL<br/>A.MIG-1408 Fresh Engine Oil</p> |
|---|--|---|---|

## Painting and Marking Guide

**TAKOM** Ref: 2125

Jagdpanther Ausf.G1 Mid/Late Production.

III Kompanie, s. Pz. Jg. Abt.654, France, Summer 1944

- A.MIG 033** Rubber & Tires
- A.MIG 035** Dark Tracks
- A.MIG 037** New Wood
- A.MIG 040** Medium Rust
- A.MIG 045** Gun Metal
- A.MIG 096** Crystal Periscope Green
- A.MIG 002** Olivgrün Opt.2
- A.MIG 010** Dunkelgelb Mid war
- A.MIG 014** Schokobraun
- A.MIG 036** Old Wood



### WEATHERING STEPS WITH AMMO PRODUCTS

- |  |   |   |  |
|--|---|---|--|
| <p><b>1</b> GENERAL WASH<br/>A.MIG-1005 Dark Brown Wash for Green vehicles</p> <p><b>2</b> FILTER<br/>A.MIG-1510 Tan for 3 Tone Camo</p> | <p><b>3</b> STREAKING<br/>A.MIG-1206 Dark Streaking Grime</p> <p><b>4</b> TRACK WASH<br/>A.MIG-1002 Tracks Wash</p> | <p><b>5</b> RUST<br/>A.MIG-3510 Rust</p> <p><b>6</b> DUST<br/>A.MIG-3004 Europe Earth</p> | <p><b>7</b> MUD &amp; SPLASHES<br/>A.MIG-1705 Wet Mud / A.MIG-1754 Damp Earth</p> <p><b>8</b> GREASE &amp; OIL<br/>A.MIG-1408 Fresh Engine Oil</p> |
|--|---|---|--|



# PANTHER Ausf.D Sd.Kfz.171 LATE Production w/Zimmerit



- ▲ DETAILED STATIC DISPLAY PLASTIC MODEL
- ▲ TRACK ASSEMBLY IS AIDED WITH THE USE OF A JIG
- ▲ LINK & LENGTH STYLE TRACKS INCLUDED
- ▲ ALL HATCHES CAN BE BUILT IN OPEN OR CLOSED POSITION
- ▲ PE INCLUDED
- ▲ 5 TYPES OF MARKINGS
- ▲ FIGURE NOT INCLUDED



JASON 2018

Zimmerit Pattern  
created by  
**JASON**  
Designed by  
T-Rex Studio  
in China

1/35  
No.2104

- ▲ THIS IS NOT A TOY
- ▲ READY TO ASSEMBLE PRECISION MODEL KIT
- ▲ INTENDED FOR COLLECTORS OF AGE 14 YEARS AND ABOVE
- ▲ MODEL MAY VARY FROM IMAGE ON BOX
- ▲ CEMENT AND PAINT NOT INCLUDED

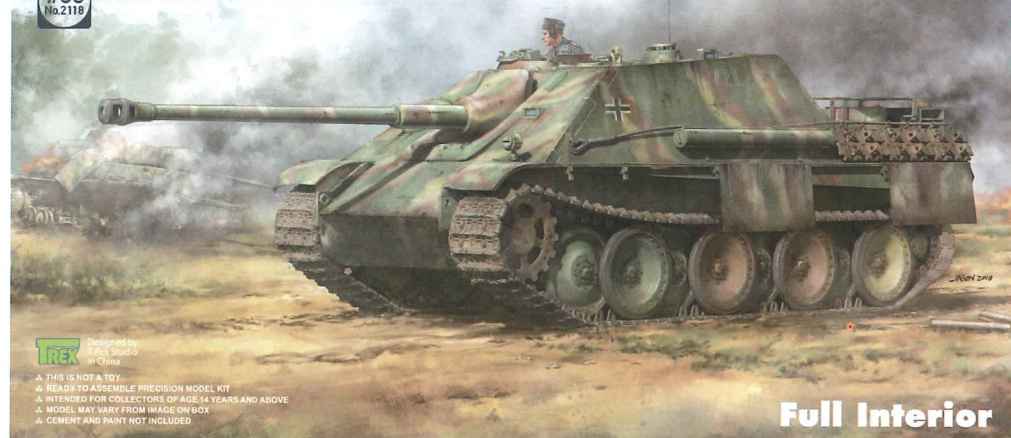
**Full Interior**

# GERMAN TANK DESTROYER Sd.Kfz.173 JAGDPANTHER G2



- ▲ DETAILED STATIC DISPLAY PLASTIC MODEL
- ▲ TRACK ASSEMBLY IS AIDED WITH THE USE OF A JIG
- ▲ LINK & LENGTH STYLE TRACKS INCLUDED
- ▲ ALL HATCHES CAN BE BUILT IN OPEN OR CLOSED POSITION
- ▲ PE INCLUDED
- ▲ 6 TYPES OF MARKINGS
- ▲ FIGURE NOT INCLUDED

1/35  
No.2118



JASON 2018

TREX Designed by  
T-Rex Studio  
in China

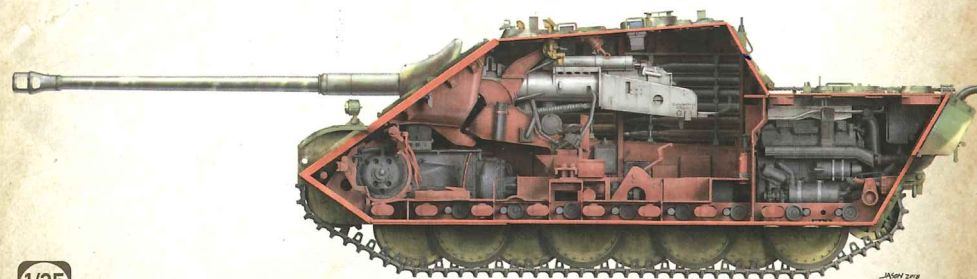
- ▲ THIS IS NOT A TOY
- ▲ READY TO ASSEMBLE PRECISION MODEL KIT
- ▲ INTENDED FOR COLLECTORS OF AGE 14 YEARS AND ABOVE
- ▲ MODEL MAY VARY FROM IMAGE ON BOX
- ▲ CEMENT AND PAINT NOT INCLUDED

**Full Interior**

# JAGDPANTHER G1

## GERMAN TANK DESTROYER

Late Production  
Sd.Kfz.173



JASON 2018

1/35  
No.2106

TREX Designed by  
T-Rex Studio  
in China

- ▲ THIS IS NOT A TOY
- ▲ READY TO ASSEMBLE PRECISION MODEL KIT
- ▲ INTENDED FOR COLLECTORS OF AGE 14 YEARS AND ABOVE
- ▲ MODEL MAY VARY FROM IMAGE ON BOX
- ▲ CEMENT AND PAINT NOT INCLUDED

**Full Interior**

- ▲ DETAILED STATIC DISPLAY PLASTIC MODEL
- ▲ TRACK ASSEMBLY IS AIDED WITH THE USE OF A JIG
- ▲ LINK & LENGTH STYLE TRACKS INCLUDED
- ▲ ALL HATCHES CAN BE BUILT IN OPEN OR CLOSED POSITION
- ▲ PE INCLUDED
- ▲ 4 TYPES OF MARKINGS



# BERGEPANTHER

## Ausf.D

Umbau Seibert 1945



- ▲ THIS IS NOT A TOY
- ▲ DETAILED STATIC DISPLAY PLASTIC MODEL
- ▲ TRACK ASSEMBLY IS AIDED WITH THE USE OF A JIG
- ▲ LINK & LENGTH STYLE TRACKS INCLUDED
- ▲ ALL HATCHES CAN BE BUILT IN OPEN OR CLOSED POSITION
- ▲ PE INCLUDED
- ▲ 4 TYPES OF MARKINGS

TREX Designed by  
T-Rex Studio  
in China



JASON 2018

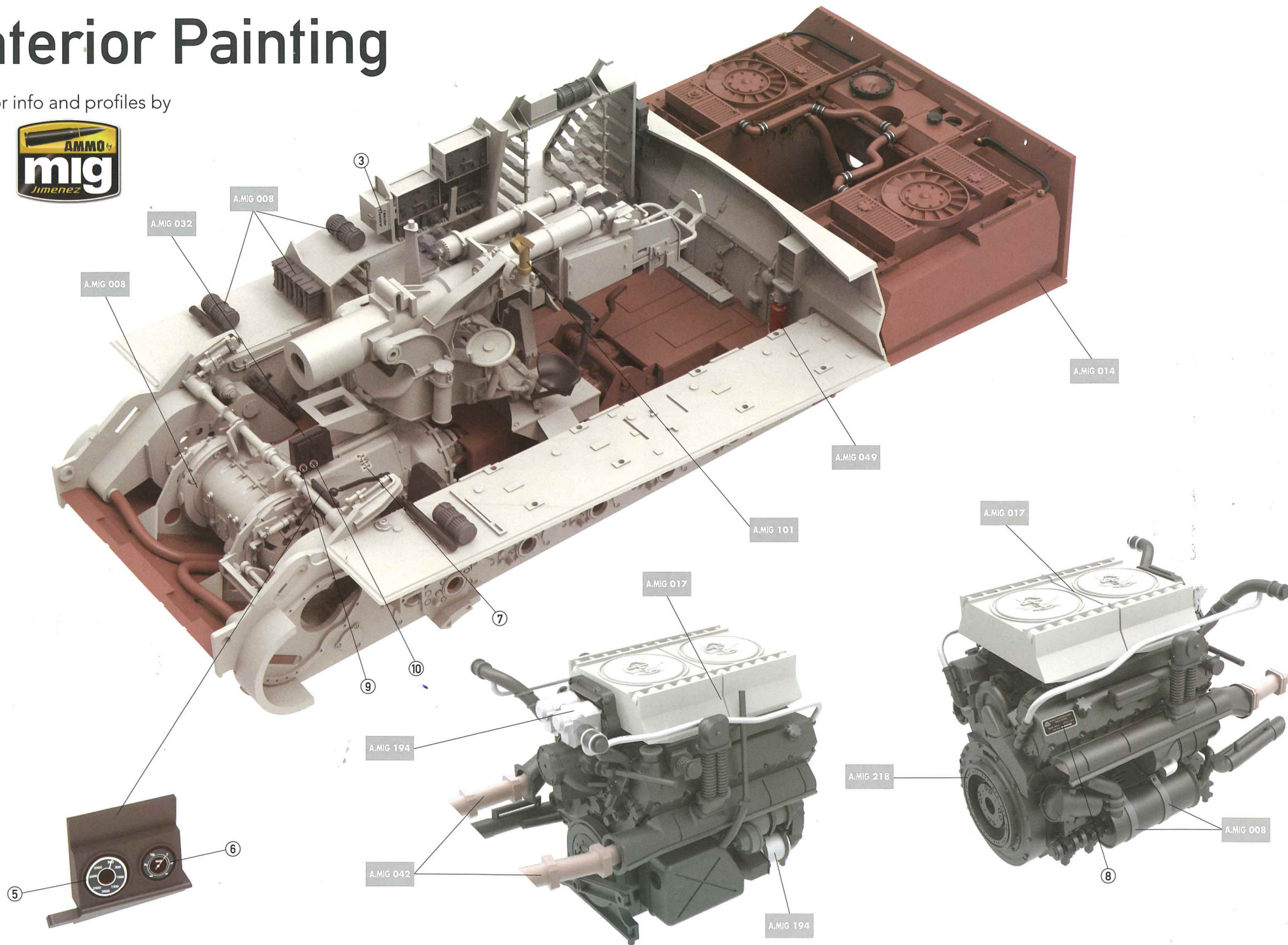
1/35  
No.2102

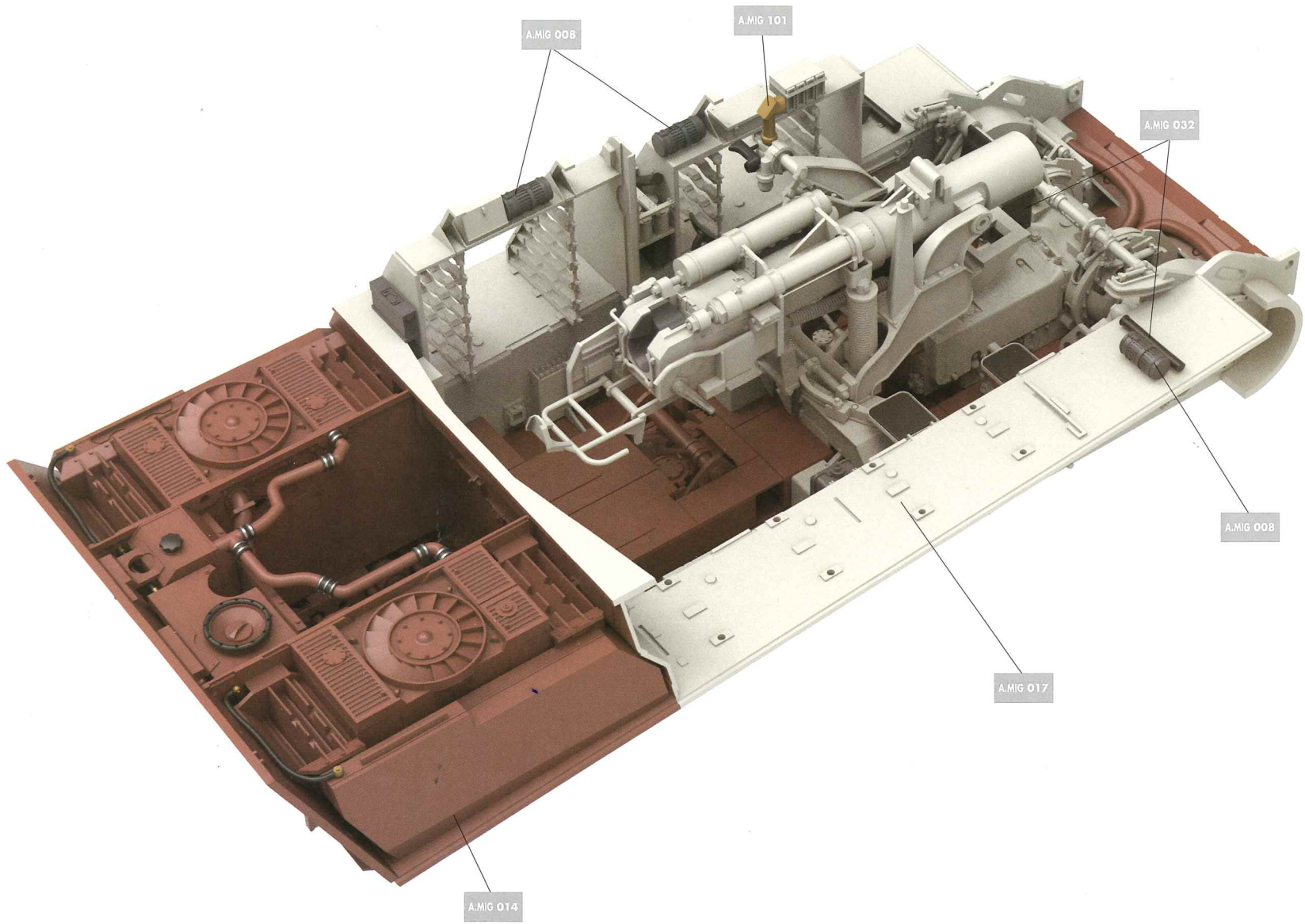
- ▲ READY TO ASSEMBLE PRECISION MODEL KIT
- ▲ INTENDED FOR COLLECTORS OF AGE 14 YEARS AND ABOVE
- ▲ CEMENT AND PAINT NOT INCLUDED
- ▲ MODEL MAY VARY FROM IMAGE ON BOX

**Full Interior Kit**

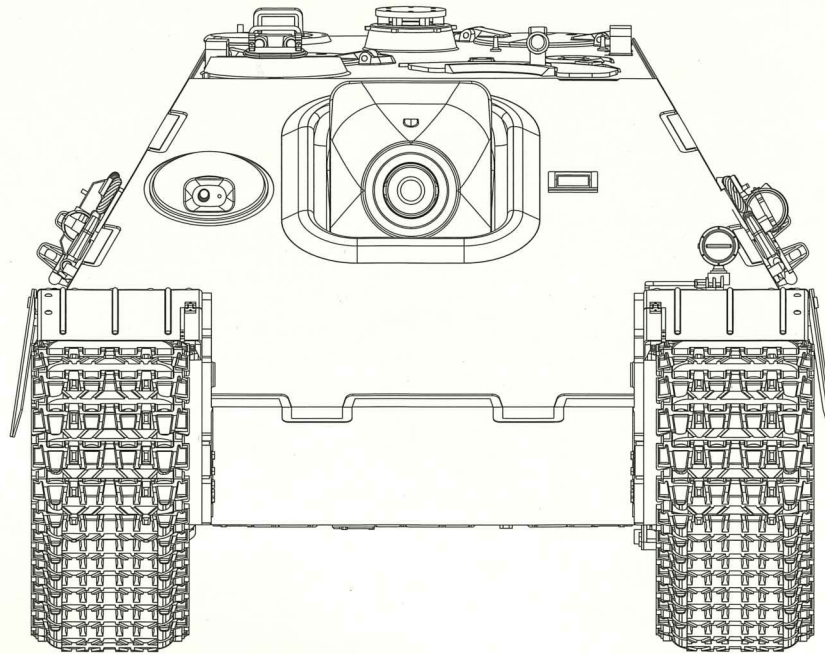
# Interior Painting

Color info and profiles by





2019/2125



You can find TAKOM on Facebook.com