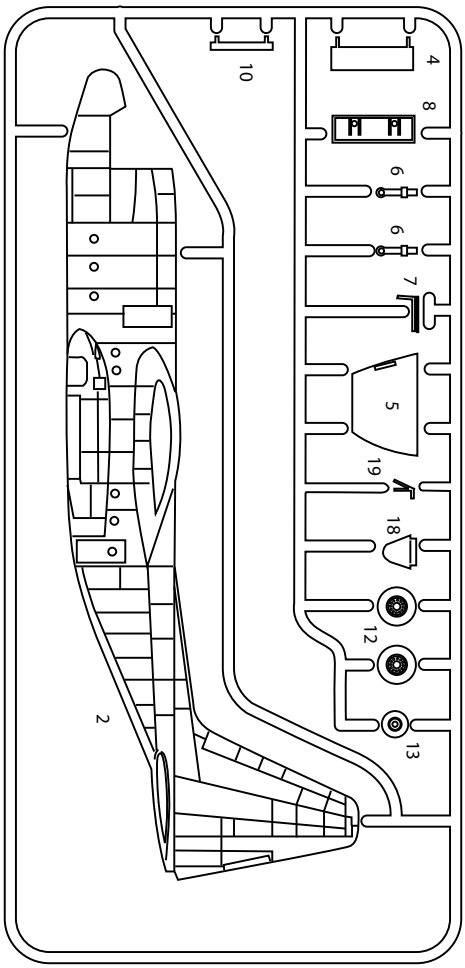
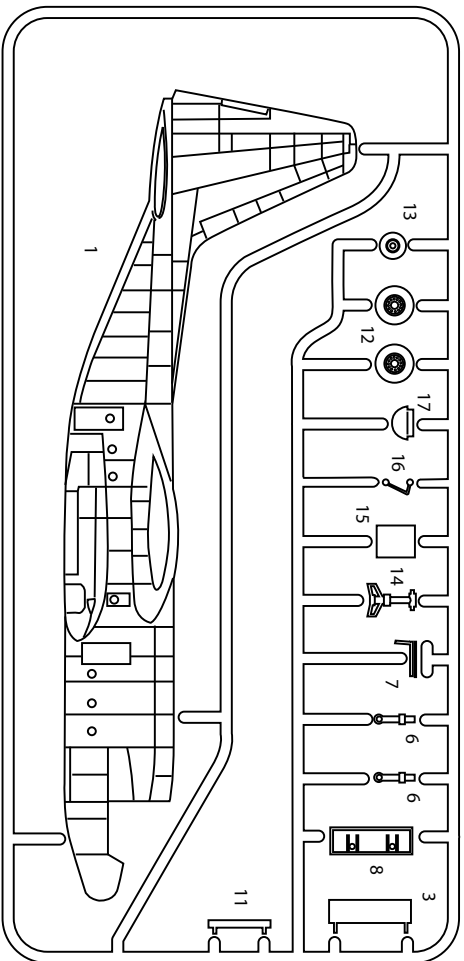
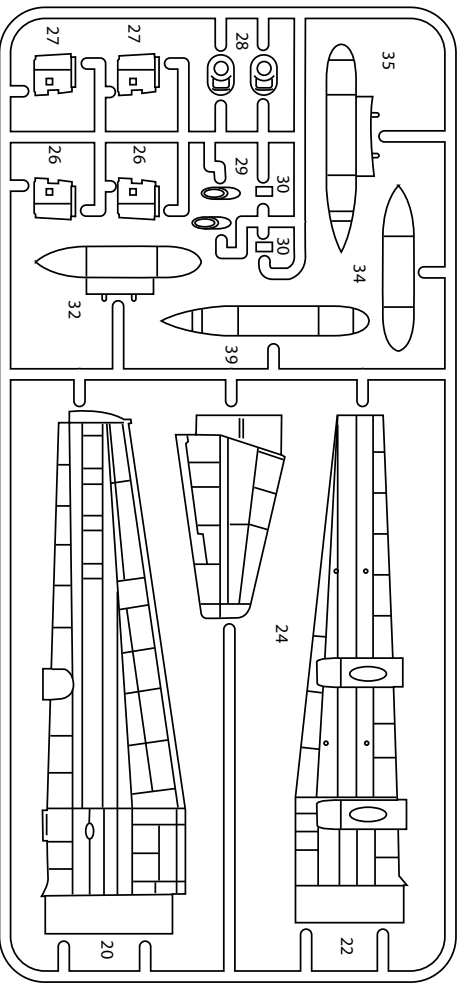
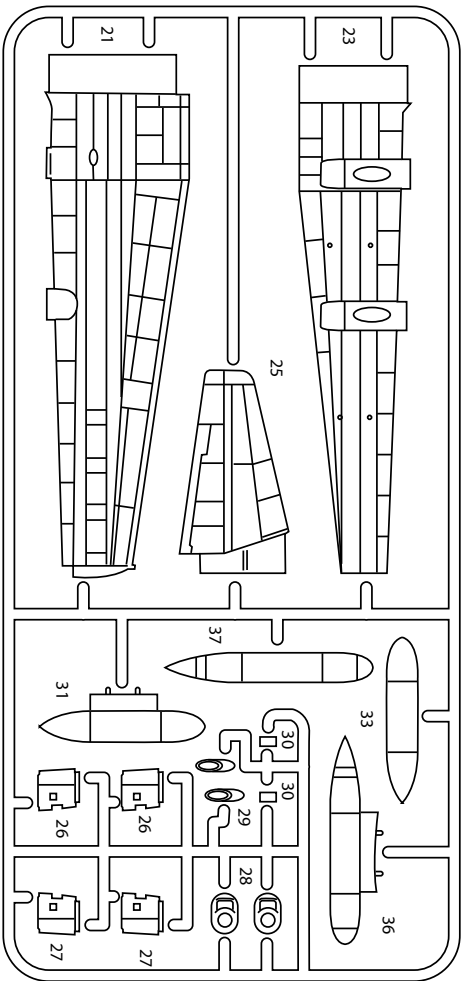


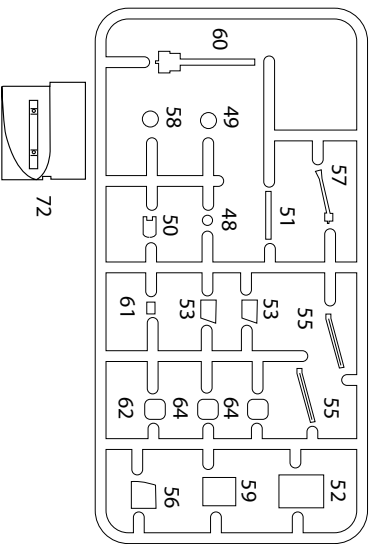
'A' FUSELAGE PARTS SPRUES



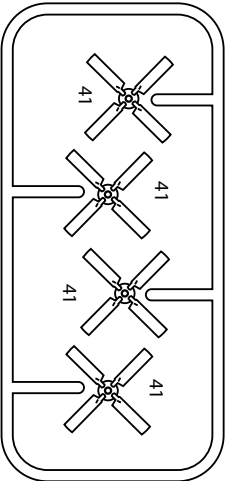
'B' WING / ENGINE / TANK PARTS SPRUE



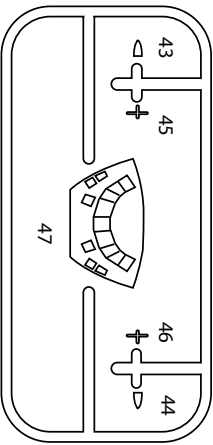
'G' GUNSHIP PARTS SPRUE



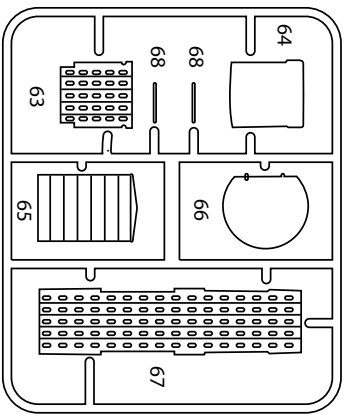
'E' PROPELLER SPRUE



'C' CLEAR PARTS SPRUE



INTERIOR PARTS SPRUE





Cement  
Coller  
Kleben  
Pegar  
Incollare  
Colar  
Kleven



DO NOT Cement  
Ne pas Coller  
Nicht Kleben  
No Pegar  
Non Incollare  
Nao Colar  
Niet Kleven



Cut away  
Couper  
Scheiden  
Cortar  
Tagliere  
Cortar  
Snijden



Optional parts  
Choix  
Auswahlmöglichkeit  
Eleccion  
Scelta  
Opaco  
Keuze



Repeat operation  
R peeter l' op ration  
Vorgang wiederholen  
Repitir la operacion  
Ripetere  
Repitir a opera ao  
Herhalen

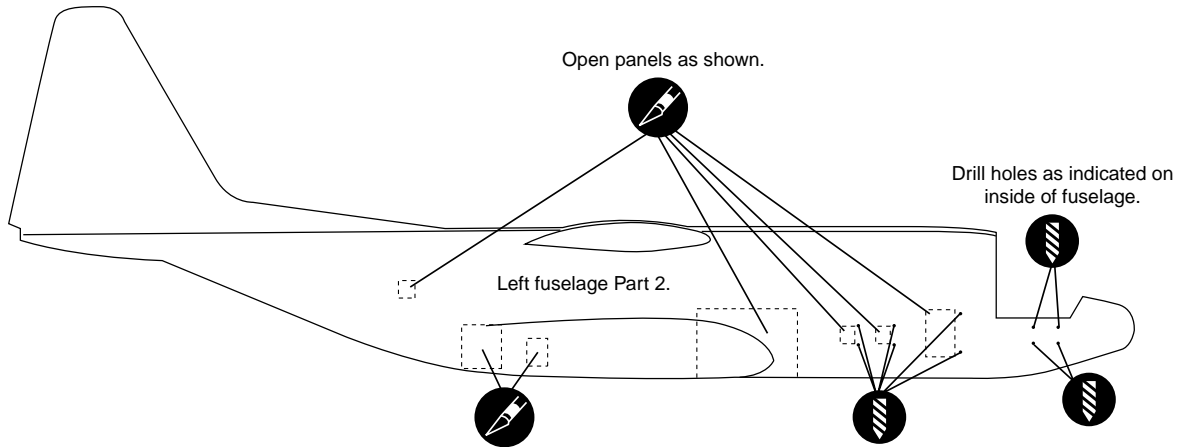


Symmetrical assembly

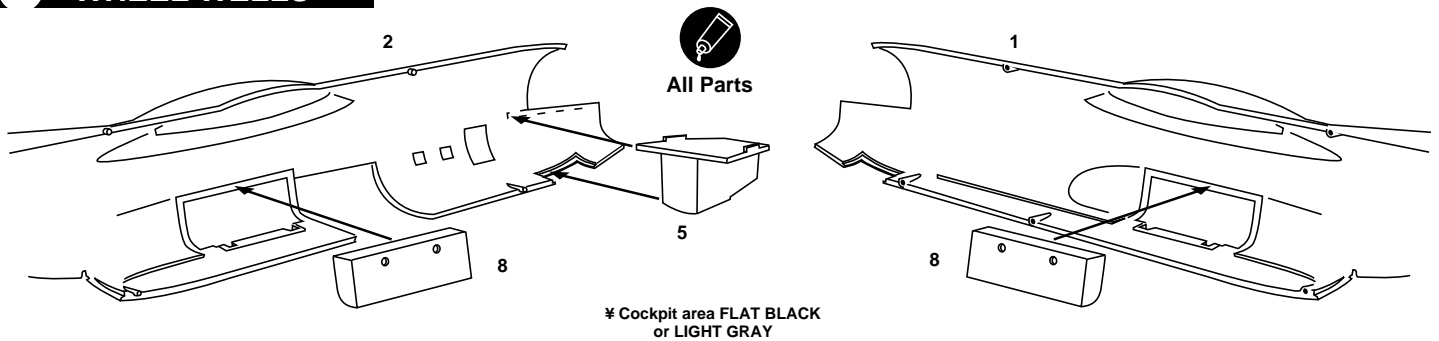


Drill hole

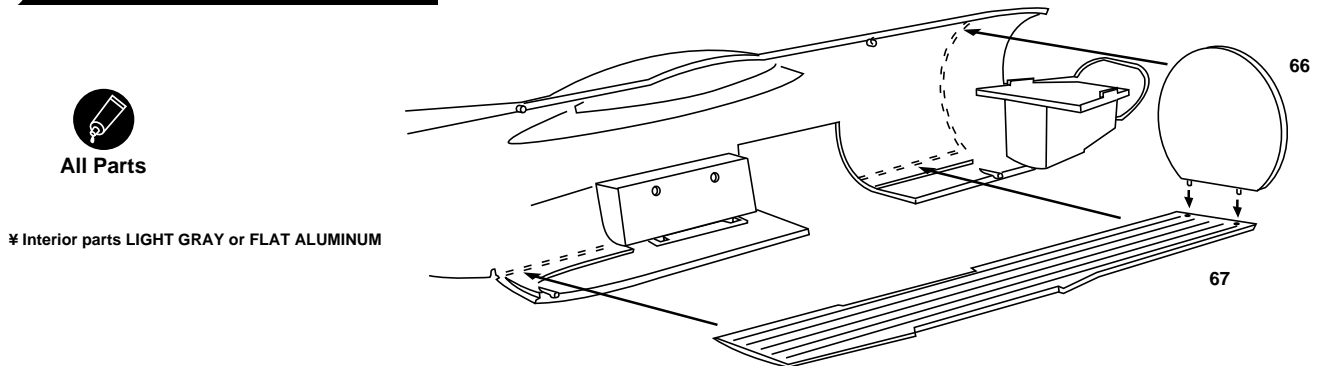
## AC-130H ONLY



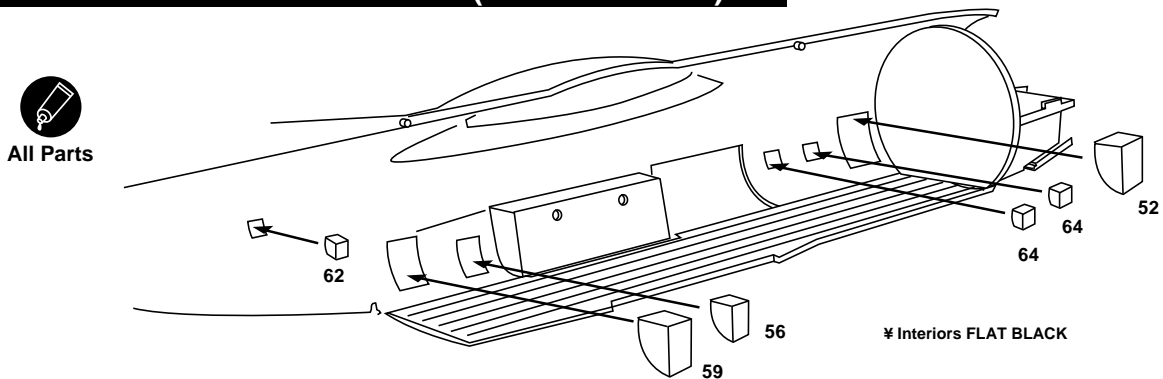
### 1 WHEEL WELLS



### 2 INTERIOR ASSEMBLY



### 3 ARMAMENT INTERIOR PARTS (AC-130H ONLY)

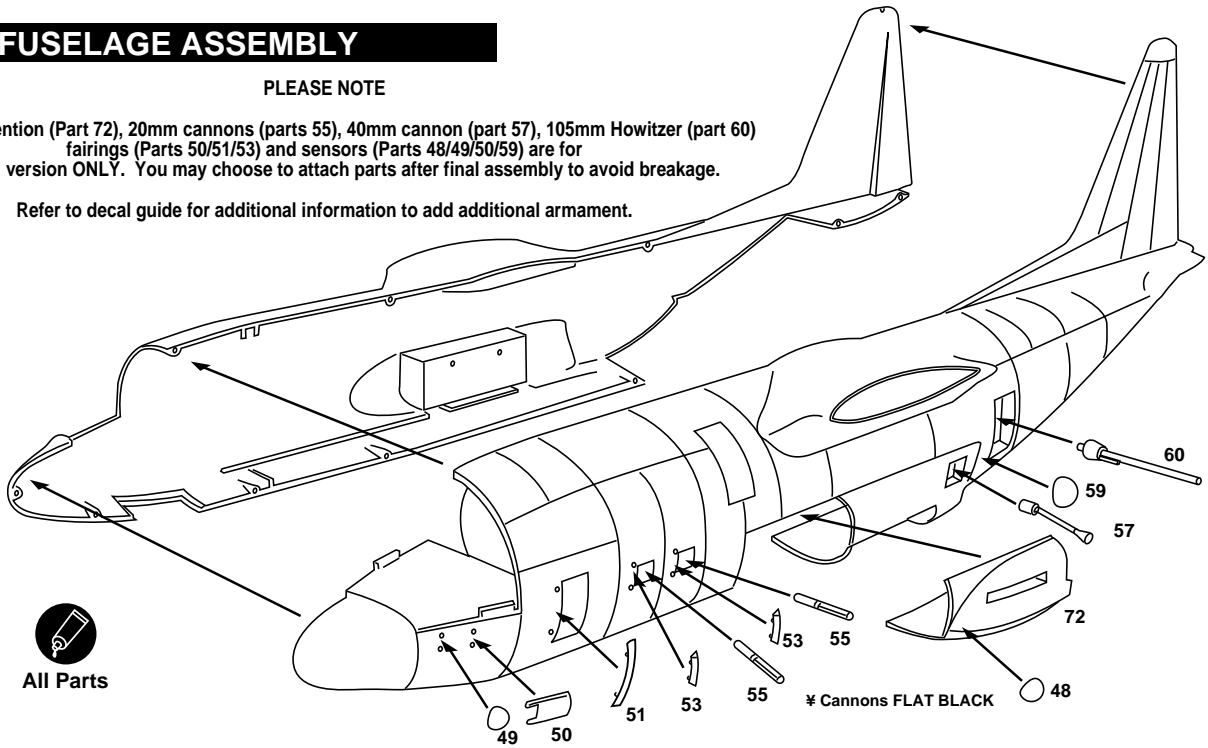


## 4 FUSELAGE ASSEMBLY

PLEASE NOTE

Sponson extension (Part 72), 20mm cannons (parts 55), 40mm cannon (part 57), 105mm Howitzer (part 60) fairings (Parts 50/51/53) and sensors (Parts 48/49/50/59) are for AC-130H version ONLY. You may choose to attach parts after final assembly to avoid breakage.

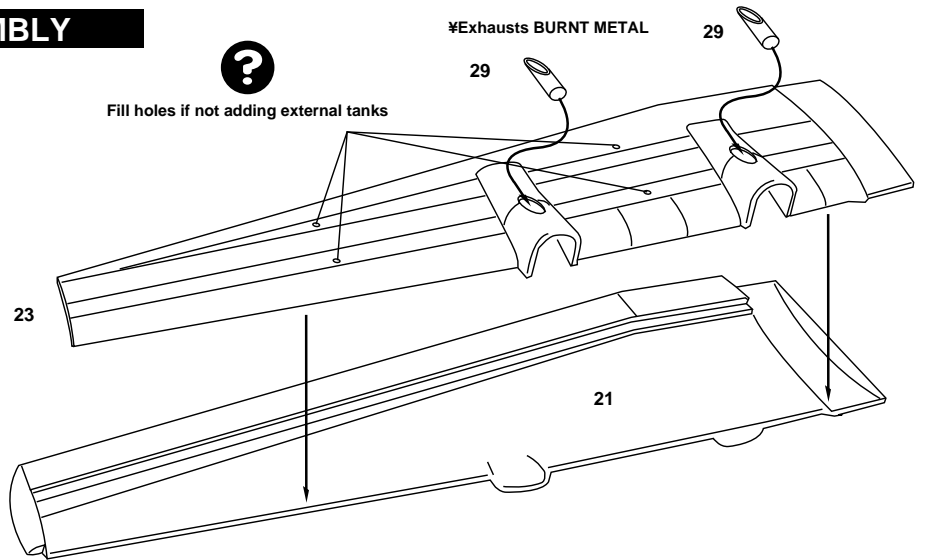
Refer to decal guide for additional information to add additional armament.



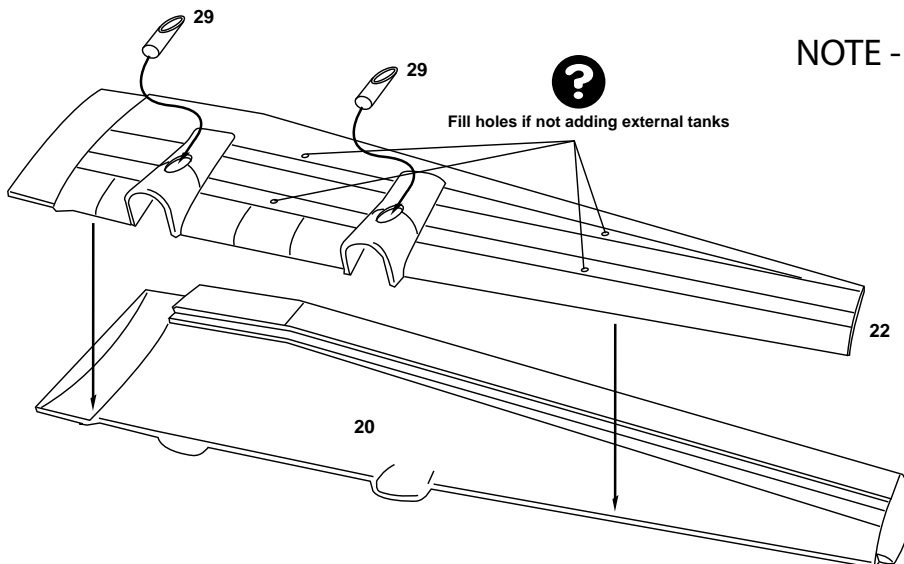
## 5 WING / EXHAUST ASSEMBLY

All Parts

LEFT WING



NOTE - Parts are shown upside down.

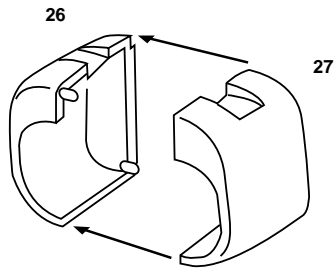


RIGHT WING

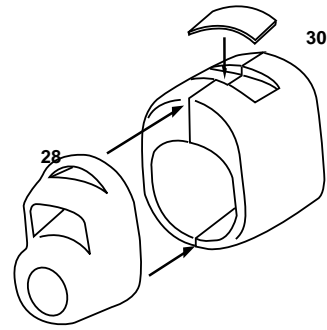
## 6 NACELLE ASSEMBLY

NOTE - Parts are shown upside down for clarity.

4



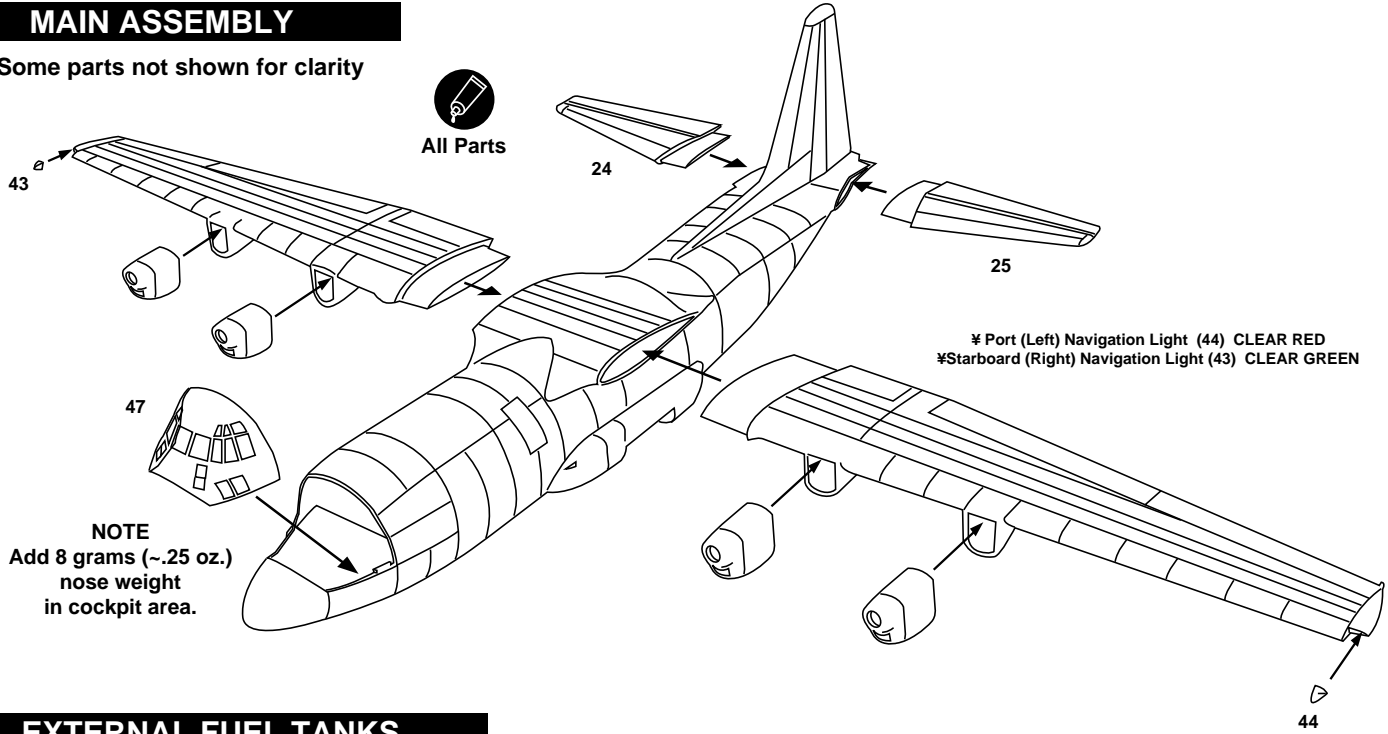
All Parts



## 7 MAIN ASSEMBLY

Some parts not shown for clarity

All Parts



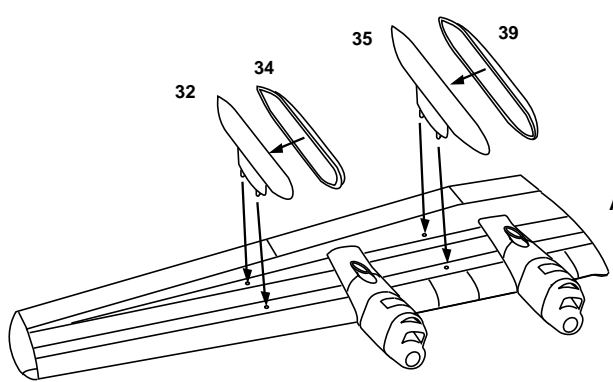
Port (Left) Navigation Light (44) CLEAR RED  
Starboard (Right) Navigation Light (43) CLEAR GREEN

NOTE  
Add 8 grams (~.25 oz.)  
nose weight  
in cockpit area.

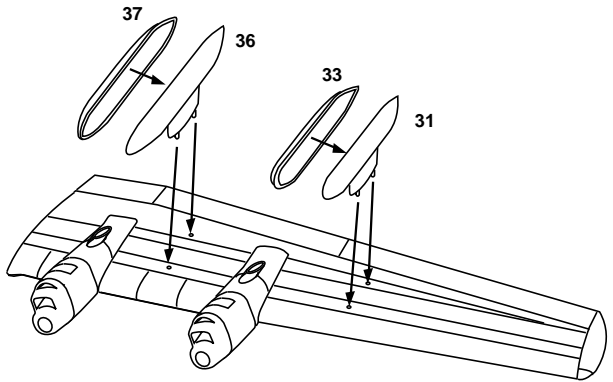
## 8 EXTERNAL FUEL TANKS

?

All Parts



LEFT WING



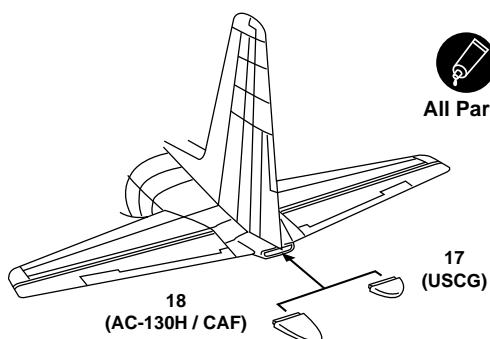
RIGHT WING

NOTE - Parts are shown upside down.

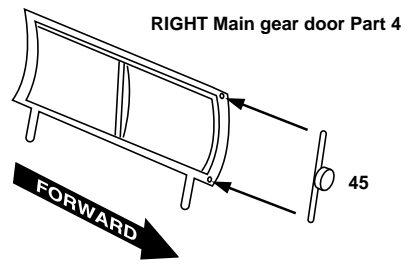
## 9 BEAVER TAIL

## 10 LANDING LIGHTS

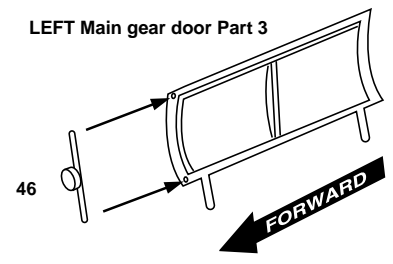
All Parts



18  
(AC-130H / CAF)



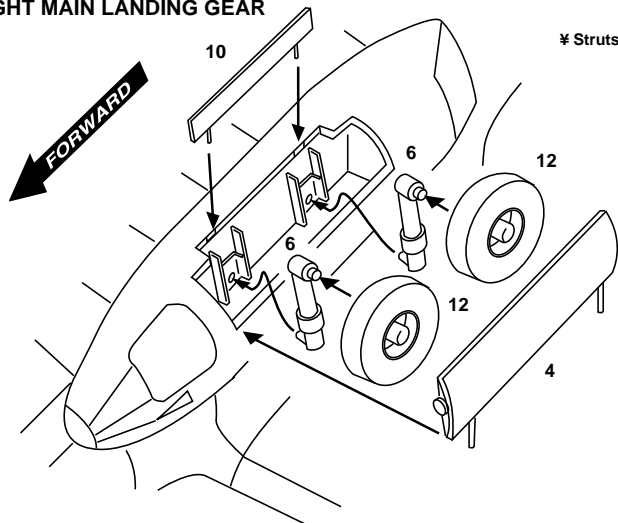
RIGHT Main gear door Part 4



LEFT Main gear door Part 3

# 11 MAIN LANDING GEAR

RIGHT MAIN LANDING GEAR

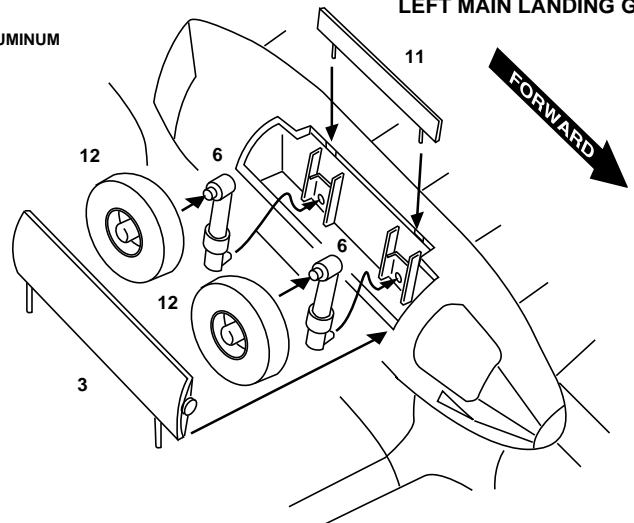


≠ Struts / Hubs / Interiors ALUMINUM  
≠ Tires FLAT BLACK



All Parts

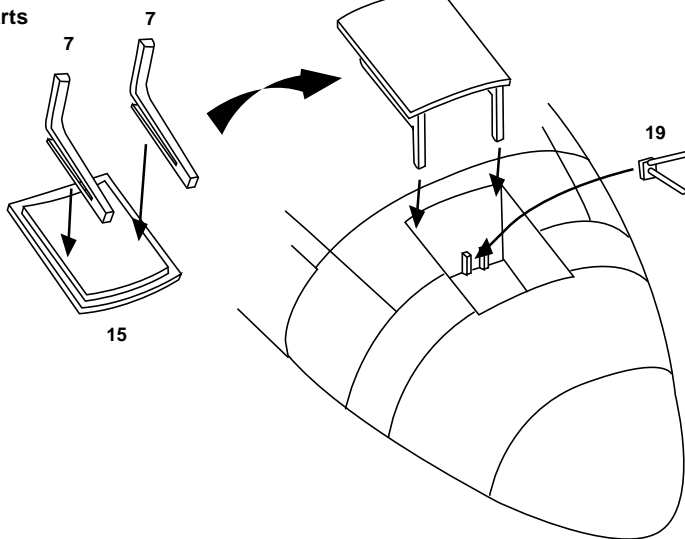
LEFT MAIN LANDING GEAR



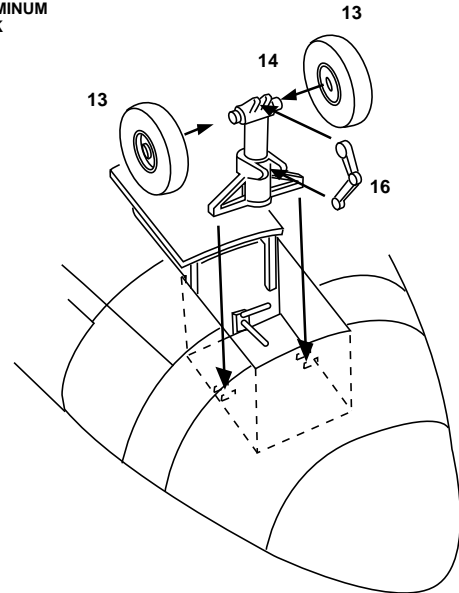
# 12 NOSE LANDING GEAR



All Parts



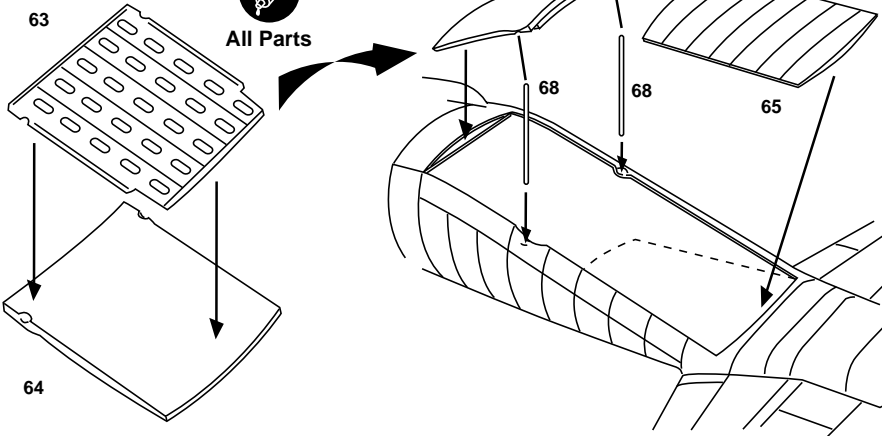
≠ Strut / Hubs / Interior ALUMINUM  
≠ Wheels FLAT BLACK



# 13 CARGO HATCH



All Parts



≠ Interior parts LIGHT GRAY or ALUMINUM

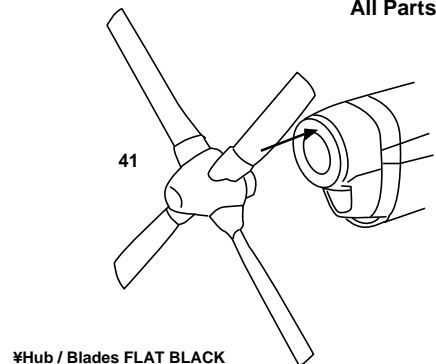
# 14 PROPELLERS



4



All Parts



≠ Hub / Blades FLAT BLACK

Your Minicraft model kit contains high-quality waterslide decals. These decals adhere best to a glossy surface, so it is recommended that you apply a clear gloss coat over your painted model.

Use a sharp scissors or knife to cut individual decals from the carrier sheet. Do not cut into the clear film surrounding the individual decals.

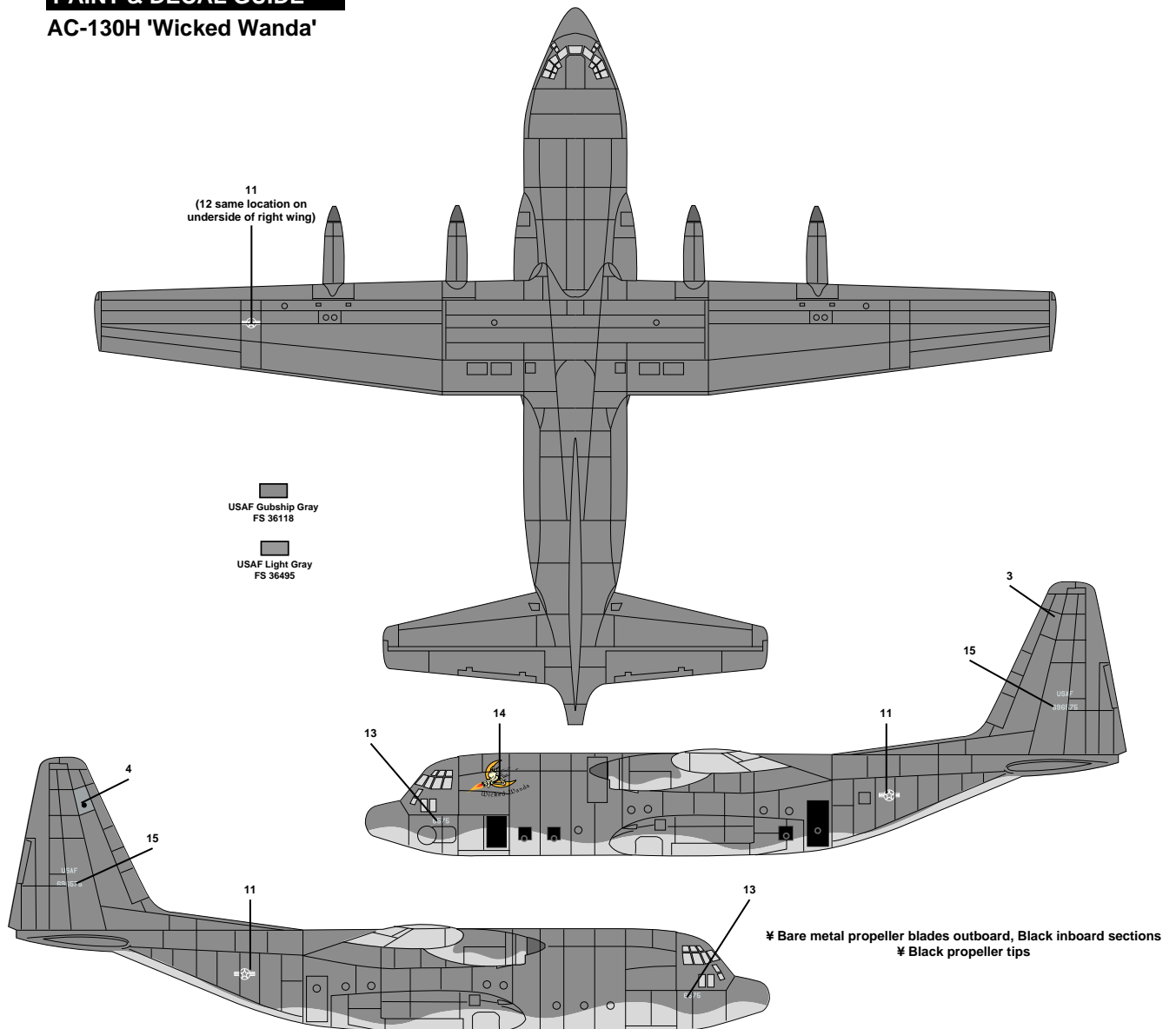
It is recommended that you apply one decal at a time.

Place the decal section in warm water; when first inserted in the water your decal will curl. After approximately ten seconds, the decal will uncurl. Remove from water and lay on paper towel. After approximately 10-20 seconds the decal will slide freely from the backing paper. Use a small brush to help slide the decal from the backing paper and into position on the model. Carefully blot excess water from the decal, using care not to move the decal or tear it.

If you choose to use a setting solution, apply a thin coat over the decal following the manufacturer's instruction.

## PAINT & DECAL GUIDE

### AC-130H 'Wicked Wanda'

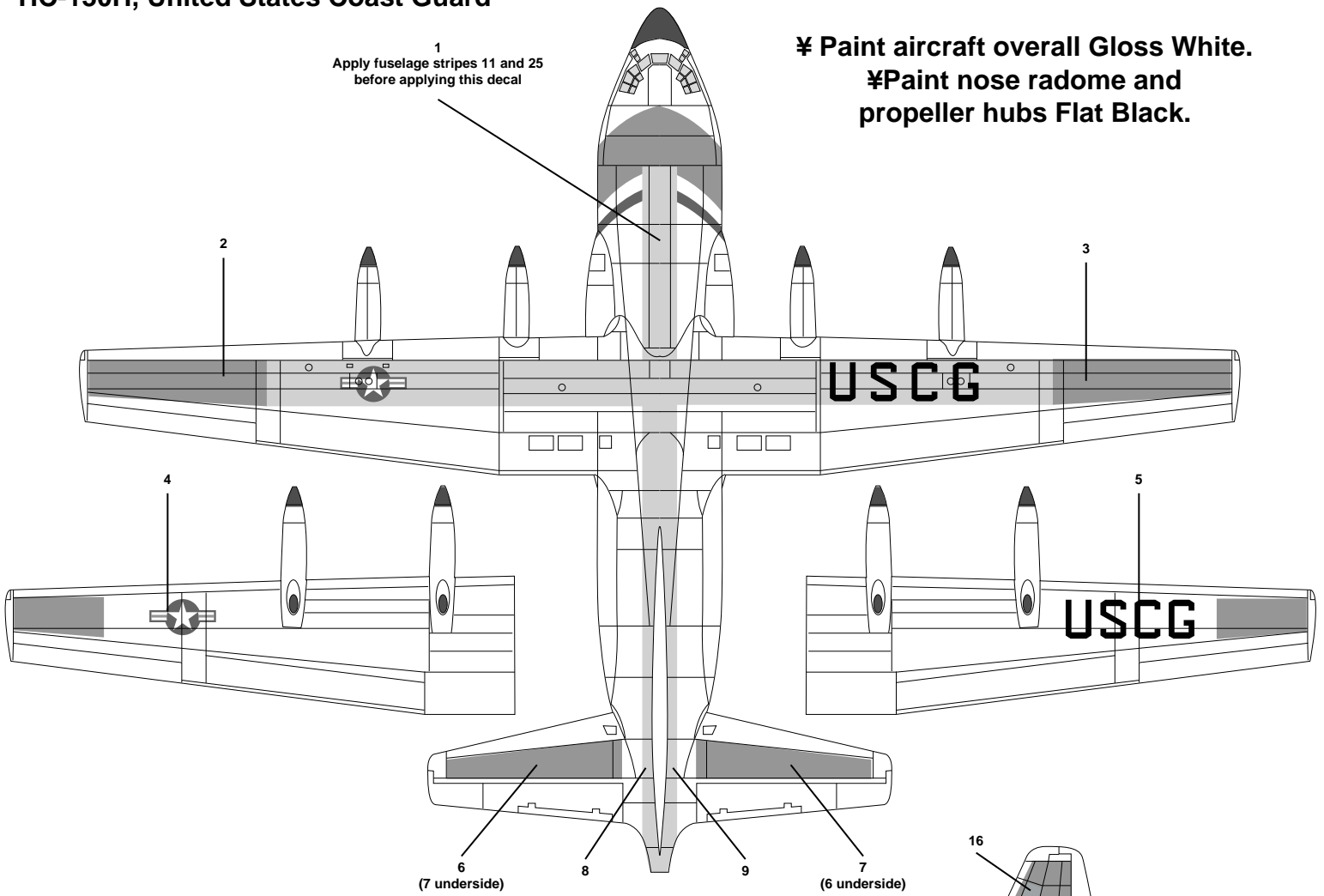


# PAINT & DECAL GUIDE

## HC-130H, United States Coast Guard

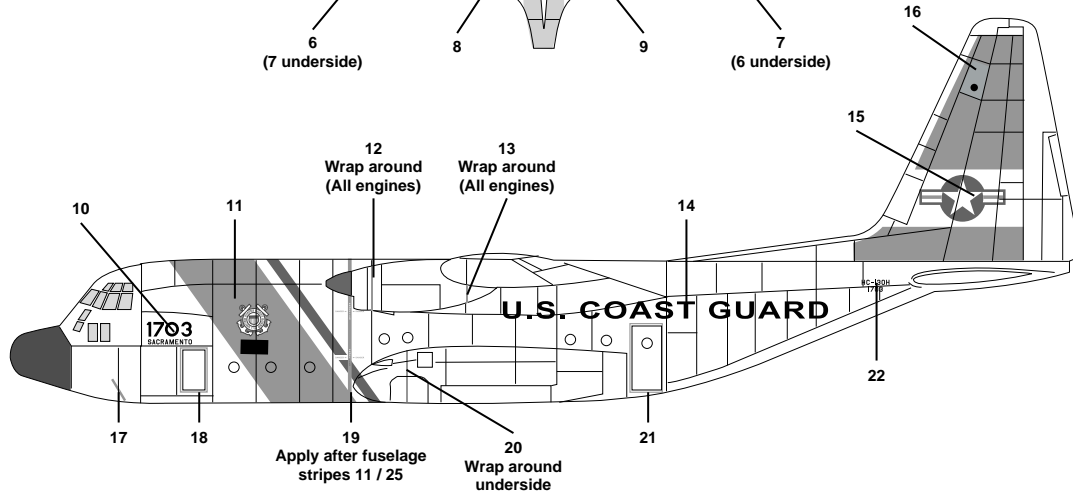
≠ Paint aircraft overall Gloss White.  
 ≠ Paint nose radome and propeller hubs Flat Black.

1  
 Apply fuselage stripes 11 and 25  
 before applying this decal



6  
 (7 underside)

7  
 (6 underside)

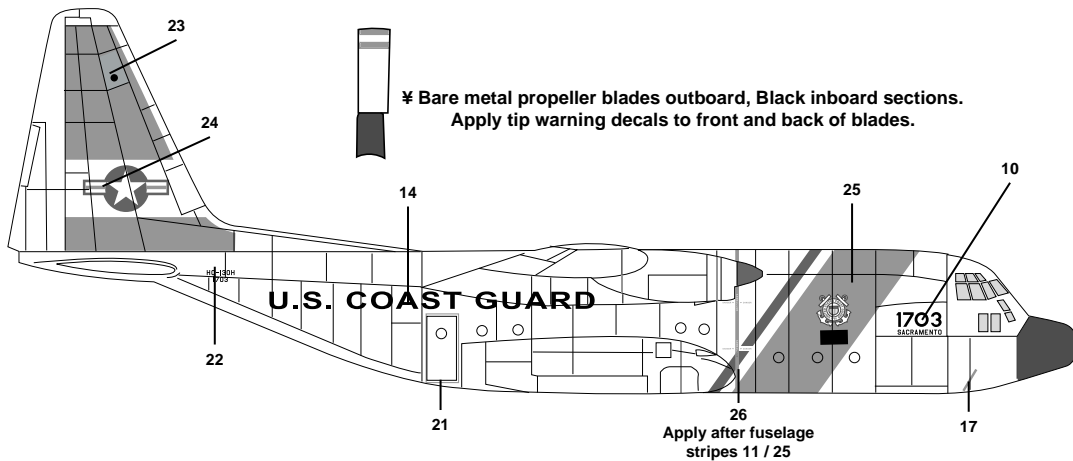


12  
 Wrap around  
 (All engines)

13  
 Wrap around  
 (All engines)

19  
 Apply after fuselage  
 stripes 11 / 25

20  
 Wrap around  
 underside

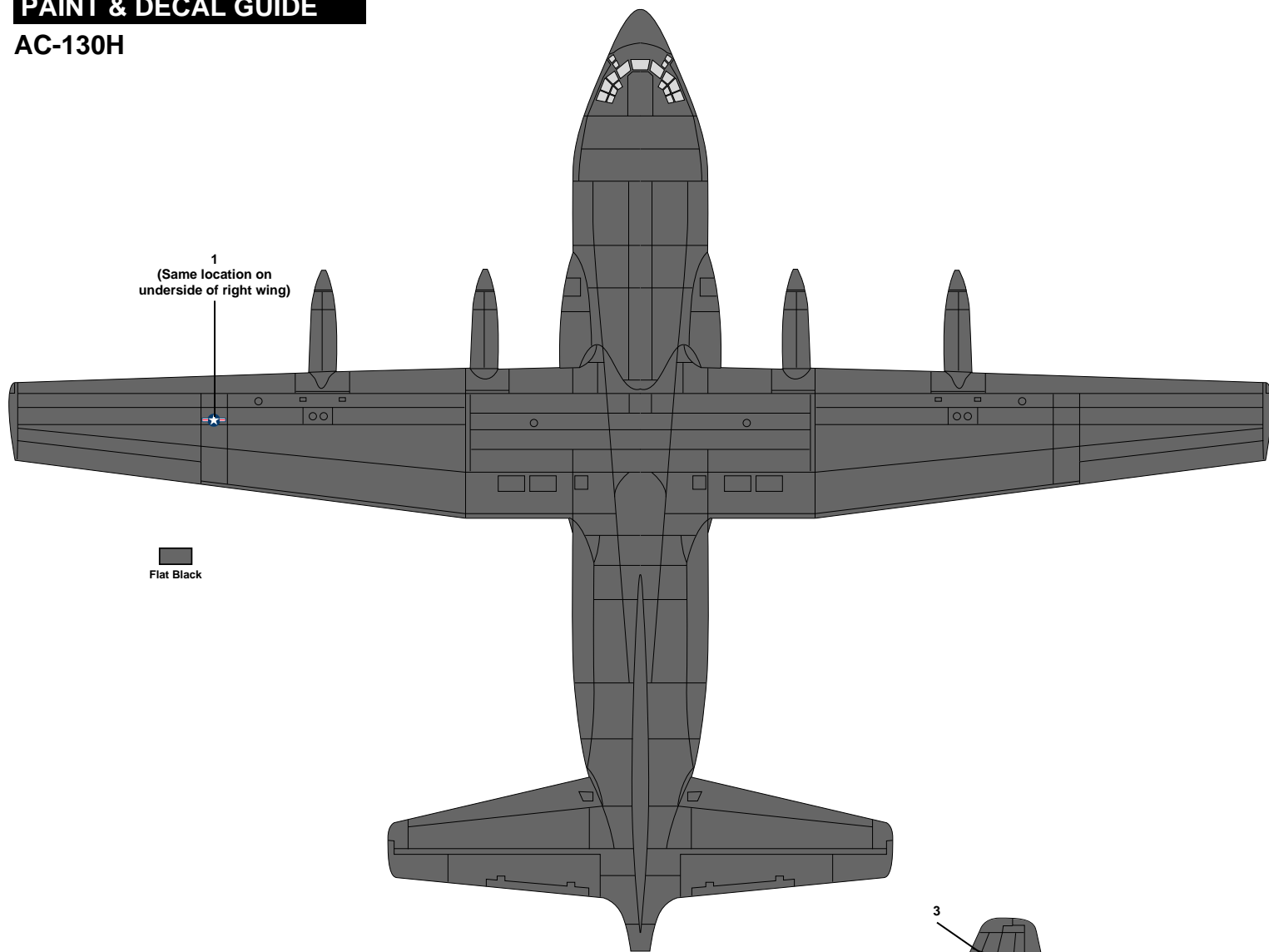


≠ Bare metal propeller blades outboard, Black inboard sections.  
 Apply tip warning decals to front and back of blades.

26  
 Apply after fuselage  
 stripes 11 / 25

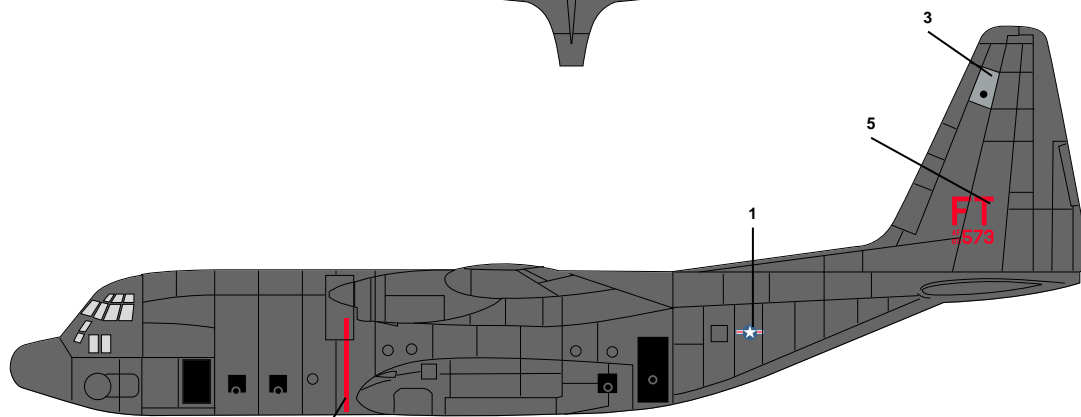
# PAINT & DECAL GUIDE

## AC-130H

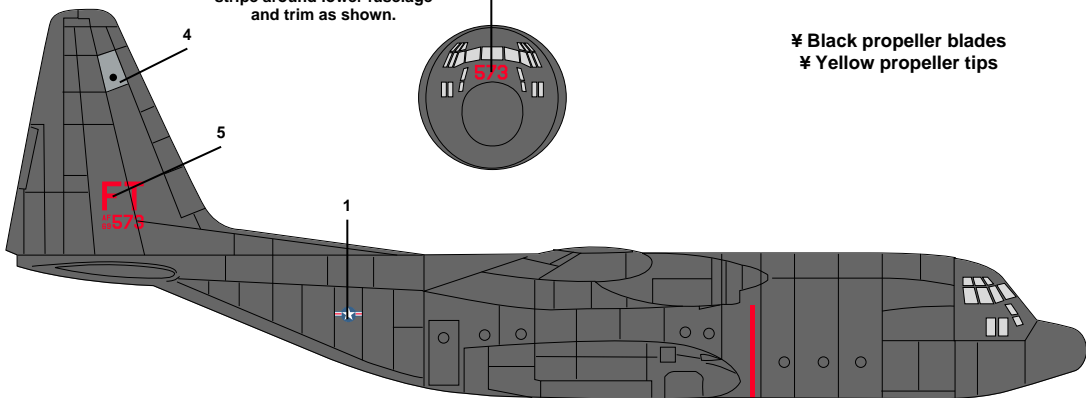


1  
(Same location on  
underside of right wing)

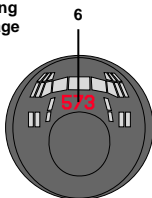
Flat Black



Wrap Red propeller warning  
stripe around lower fuselage  
and trim as shown.



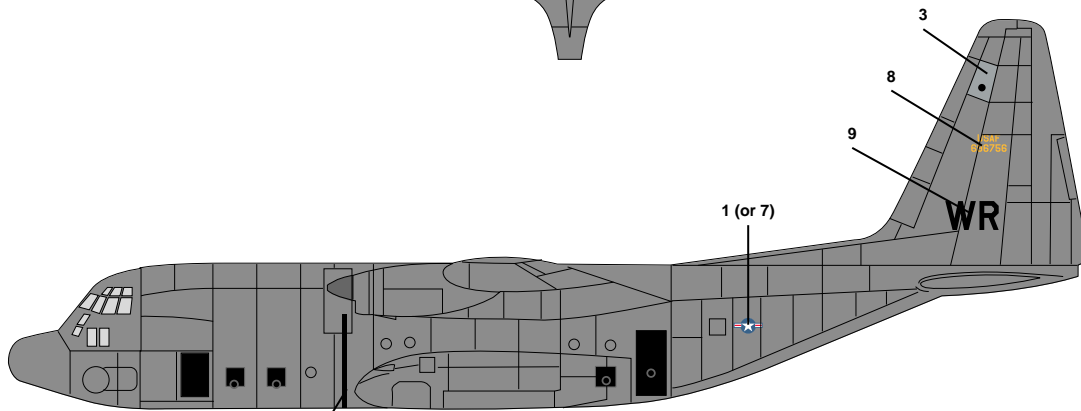
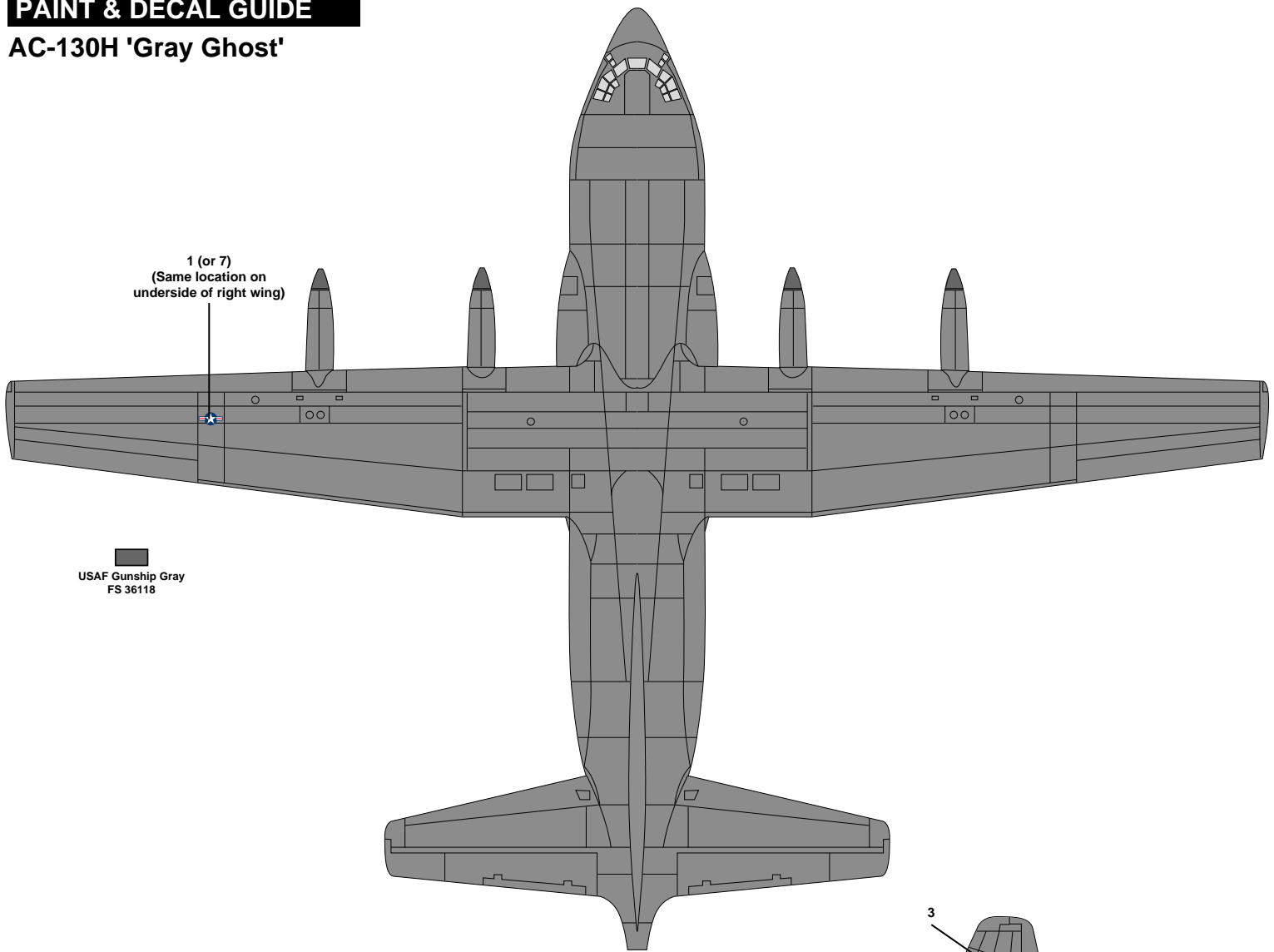
✂ Black propeller blades  
✂ Yellow propeller tips



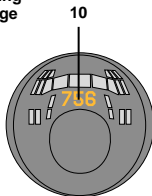
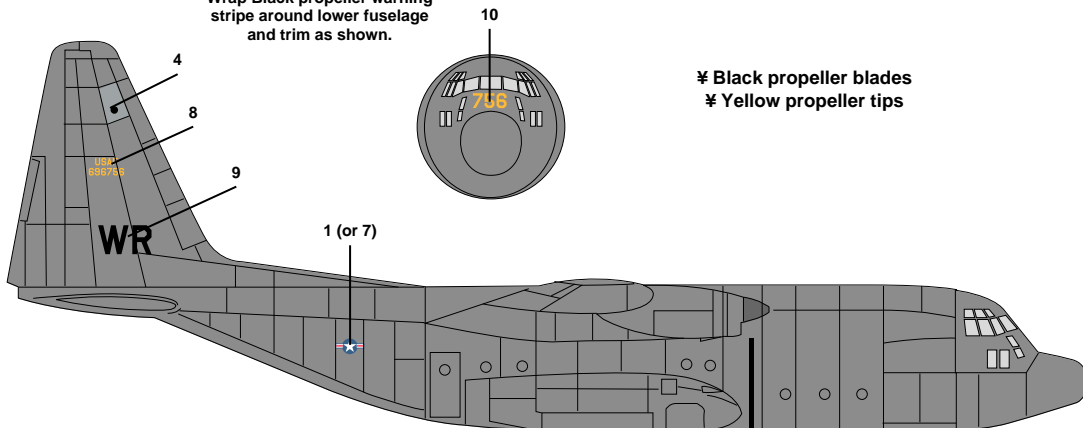


# PAINT & DECAL GUIDE

## AC-130H 'Gray Ghost'



Wrap Black propeller warning  
stripe around lower fuselage  
and trim as shown.



¥ Black propeller blades  
¥ Yellow propeller tips

# PAINT & DECAL GUIDE

## 424 Squadron, Canadian Air Force

