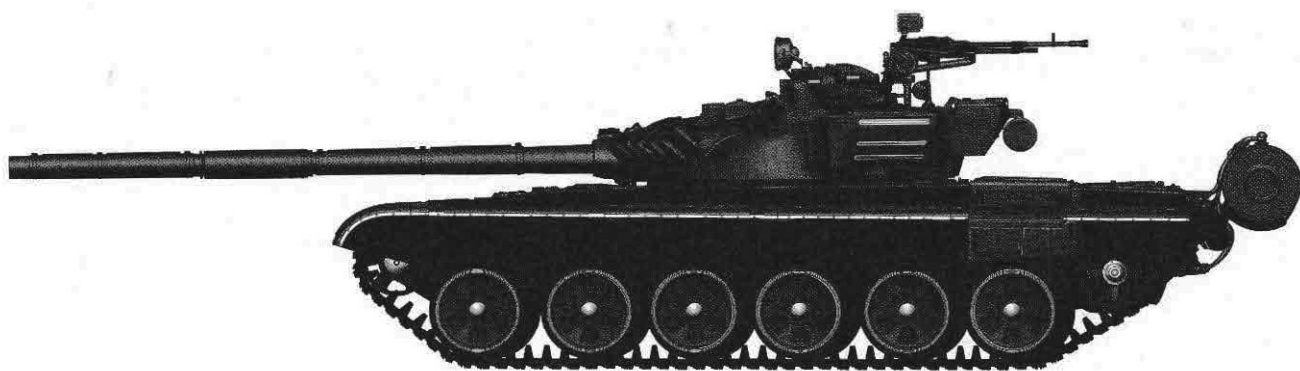


1/35 SCALE

ITEM NO.:09547



# Russian T-72A Mod1983 MBT

## 俄罗斯T-72A Mod1983主战坦克

### READ BEFORE ASSEMBLY:

- Study and understand these instructions thoroughly before beginning assembly
- When needed, remove photo-etch parts carefully using a modeling knife or photo etch sprue cutter, being careful not to damage or lose small parts.
- Take extra care in handling photo etch parts in order to avoid injury
- Apply instant cement sparingly to photo etch parts where instructed
- Tools recommended(not included in kit):Plastic and instant cements, sprue cutters,long nose pliers,modeling knife, small files, tweezers, pin vise & scissors. Soft cloth and sandpaper will also assist in construction
- Glue and paint are not included in the kit. Use plastic cement and hobby paints only. Color guide for purchasing paint is included in the kit.

### 装配之前仔细阅读

- 小心用模型锉刀锉平所有零件表面的注射浇口。
- 小心用刀片切下蚀刻片零件，不要遗失小零件。
- 用强力快干胶水粘合蚀刻片零件和金属轴。过量快干胶水使用可能导致可动零件会粘住，小心涂胶。
- 取蚀刻片时应特别注意安全，防止利边划伤手指。
- 某些零件表面需贴上水贴纸，请选择在装配的同时进行。
- 推荐模型工具(自备)：胶水，水口剪刀，长咀钳，刀片，锉刀，镊子，钳，钻，剪刀，瞬间快干胶。
- 软布同砂纸同时也应该是必备工具。
- 请使用塑料胶水和油漆，模型内不含。



配置  
Weight



使用强力胶  
Cyanoacrylate glue



钻孔  
Make hole



切除  
Cut / Remove



贴纸  
Decal



锉平  
File / Sand



选择  
Option



不涂胶水  
No cement



弯曲  
Bend



先装  
Install it first

### 水贴纸的使用:

- 1.从水贴纸上剪下印花;
- 2.将印花放入温水中浸10秒,然后放在干净布上。
- 3.拿着印花纸板将印花移到模型上;
- 4.手指蘸水将印花移到适当的位置;
- 5.用软布轻压印花直至水干, 气泡消失

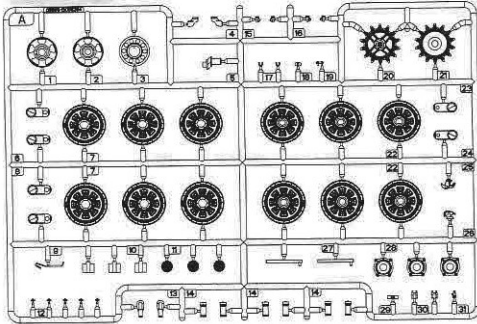
### DECAL APPLICATION

- 1.Cut decals from sheet as needed
- 2.Dip the decal in warm water for about 10 seconds and then place on soft clean cloth.
- 3.Hold the decal backing sheet edge and gently slide the decal onto the model in its proper position.

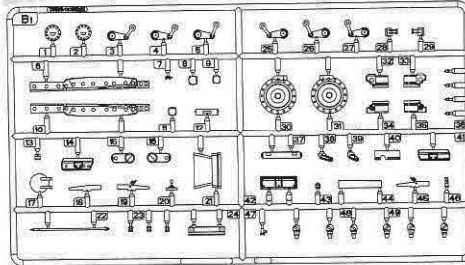
- 4.While still wet,decal can be adjusted for better fit on model by dampening it gently with your finger.
- 5.When placed in the proper position,gently press decal down with a soft cloth until excess water and air bubbles are gone.
- 6.Allow decal to dry completely before handling model

# 部品图 Parts

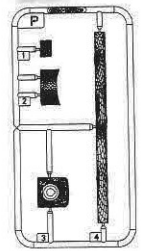
**Ax2**



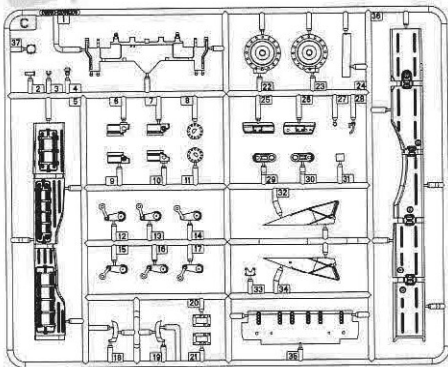
**B**



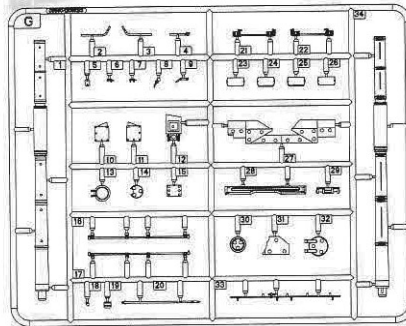
**P**



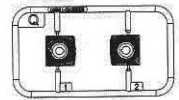
**C**



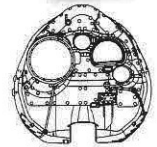
**G**



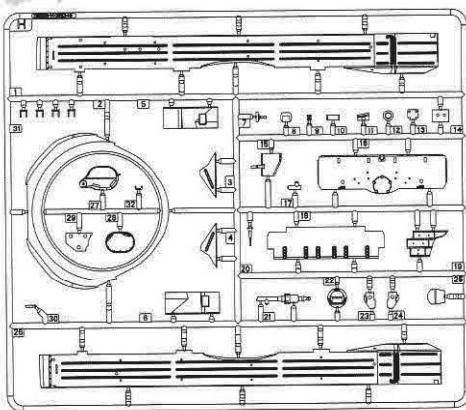
**Q**



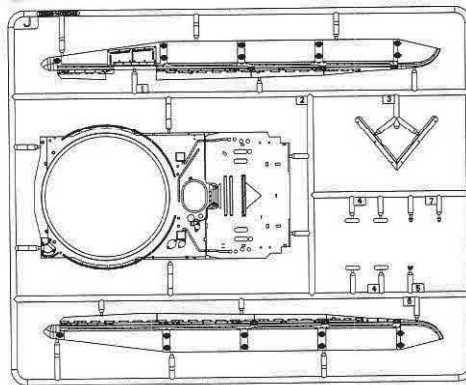
《炮塔》  
Turret



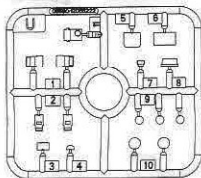
**H**



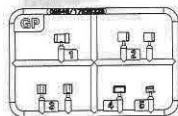
**J**



**U**



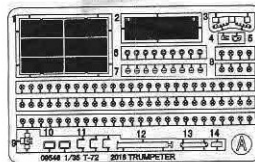
**GP**



《铜丝》  
Copper wire



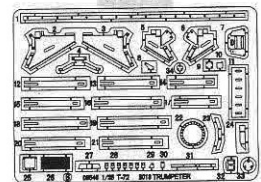
《蚀刻片-A》  
PE-A x2



《软管》  
Vinyl tubing



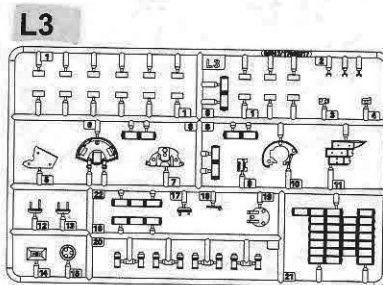
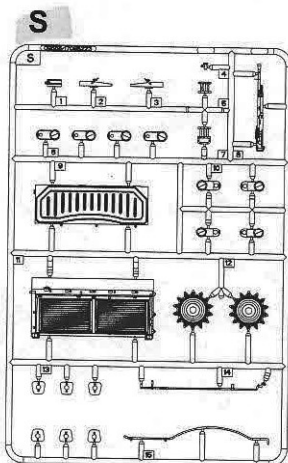
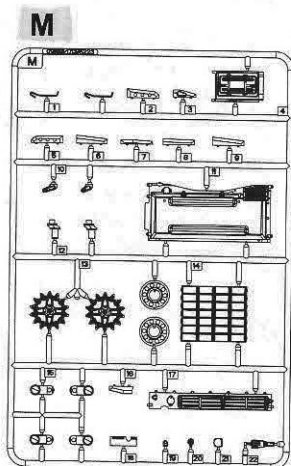
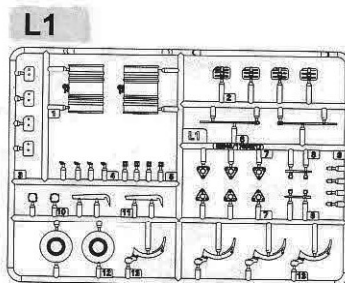
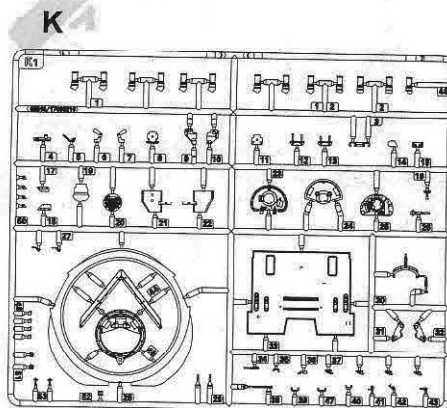
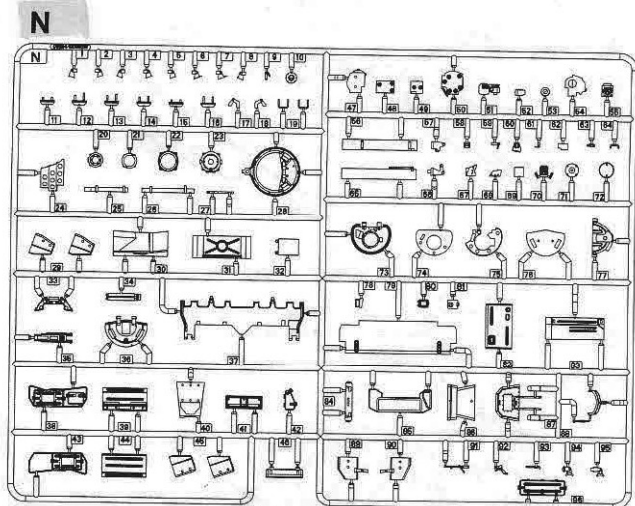
《蚀刻片-B》  
PE-B



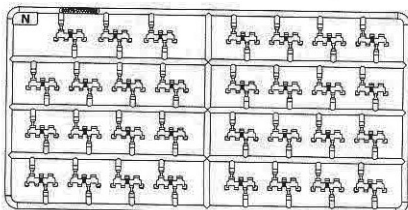
《铜缆》  
Brass wire



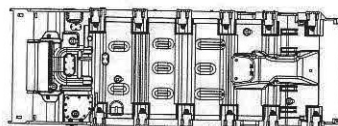
# 部品图 Parts



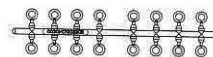
《履带》Nx7  
Track



《车底》  
Lower hull

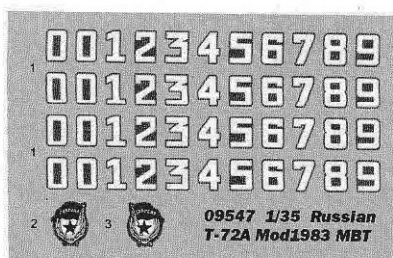
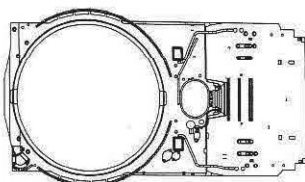


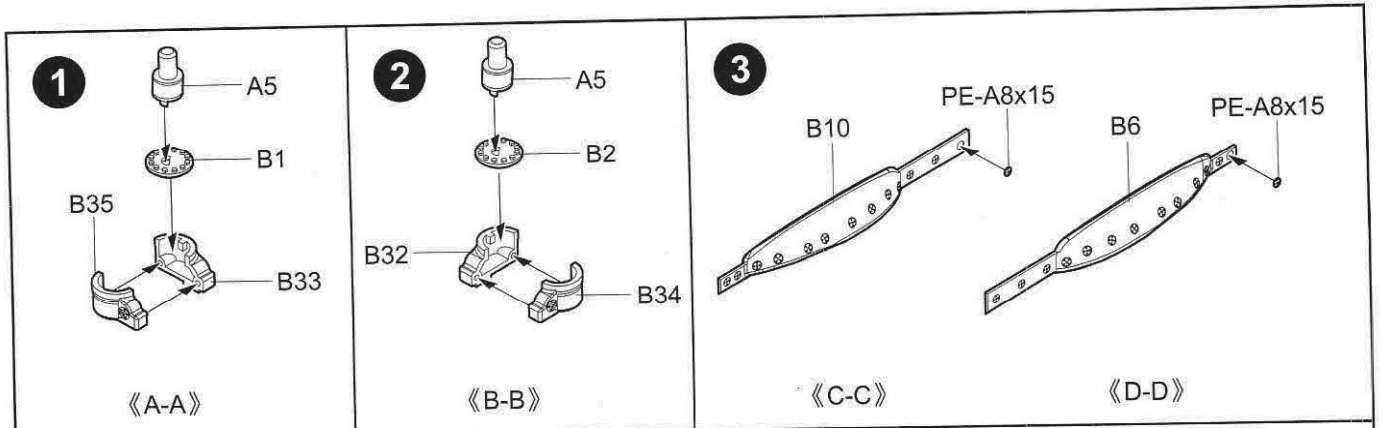
《轮塞》  
Poly cap



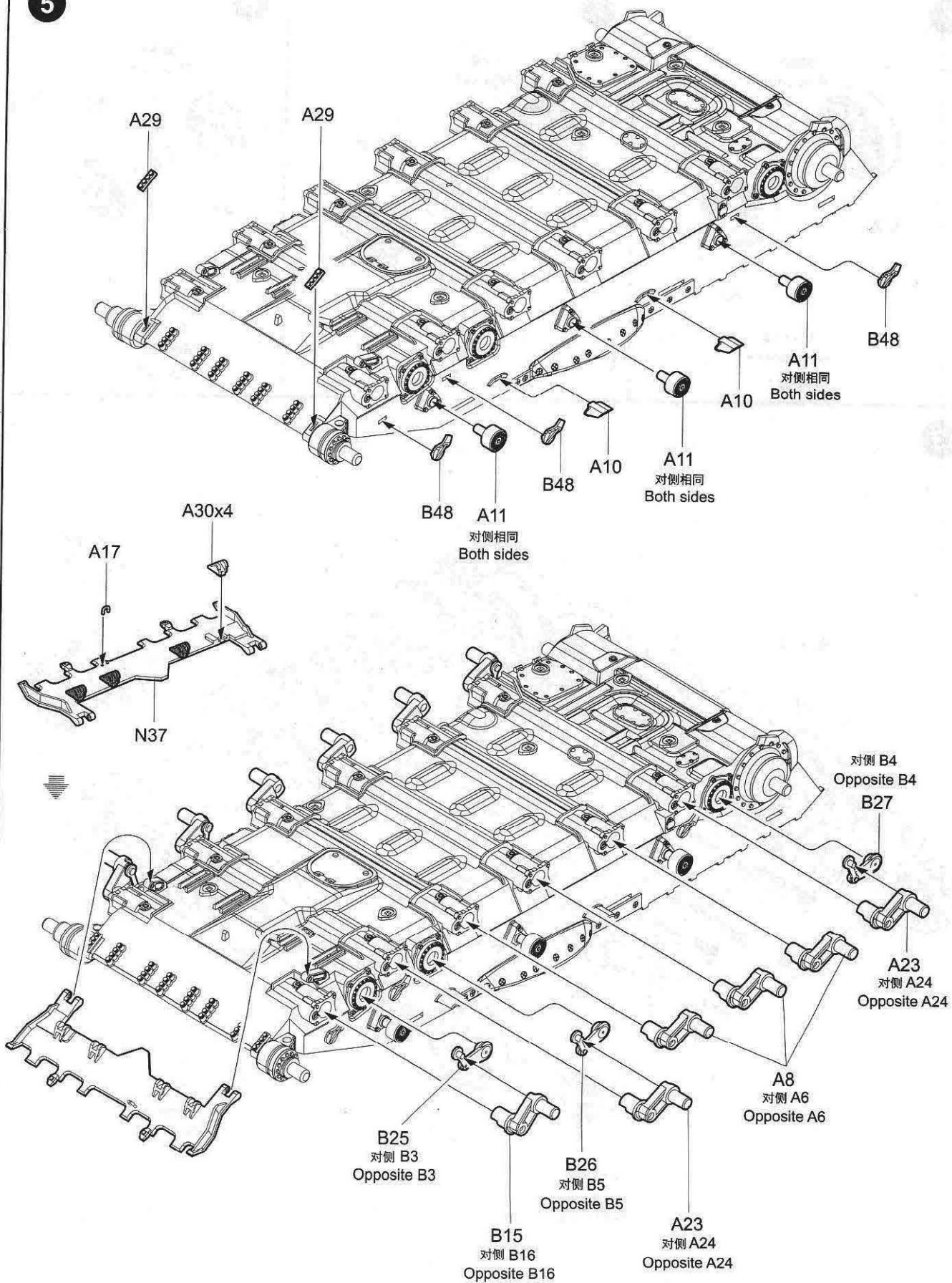
《水贴》  
Decal

**R2**

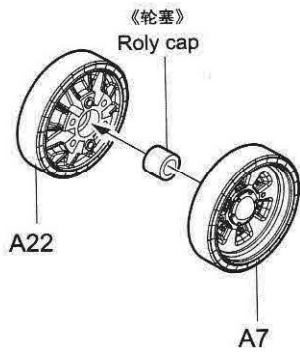




5

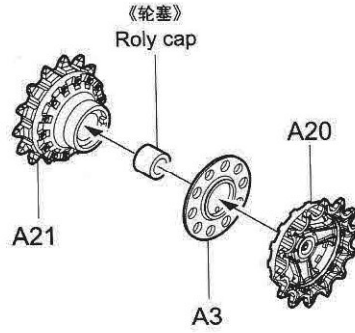


6



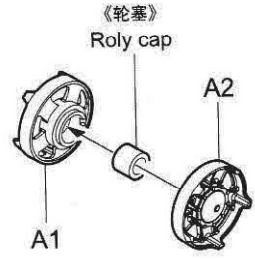
制作12组  
Make twelve  
《E-E》

7



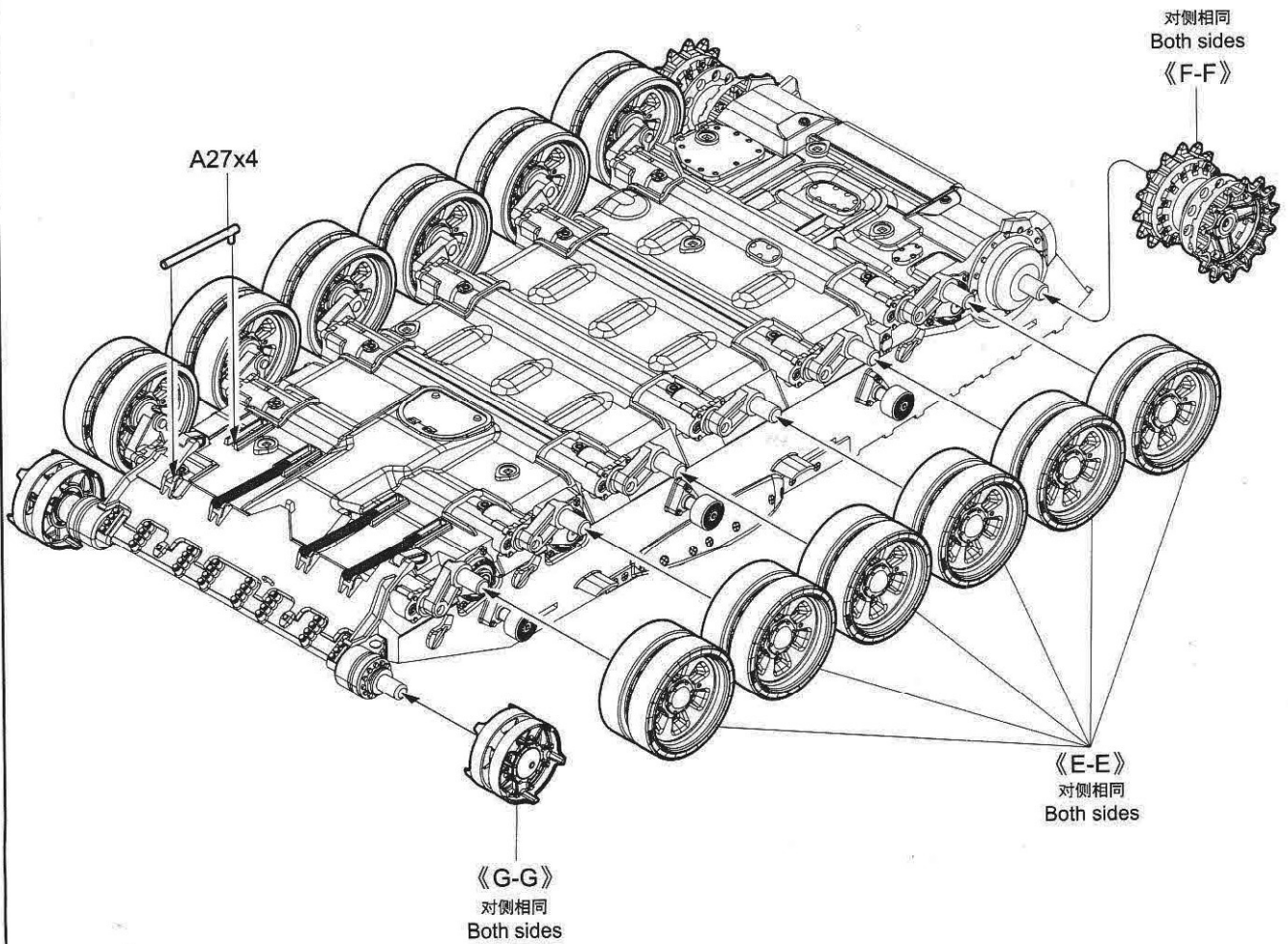
制作2组  
Make two  
《F-F》

8

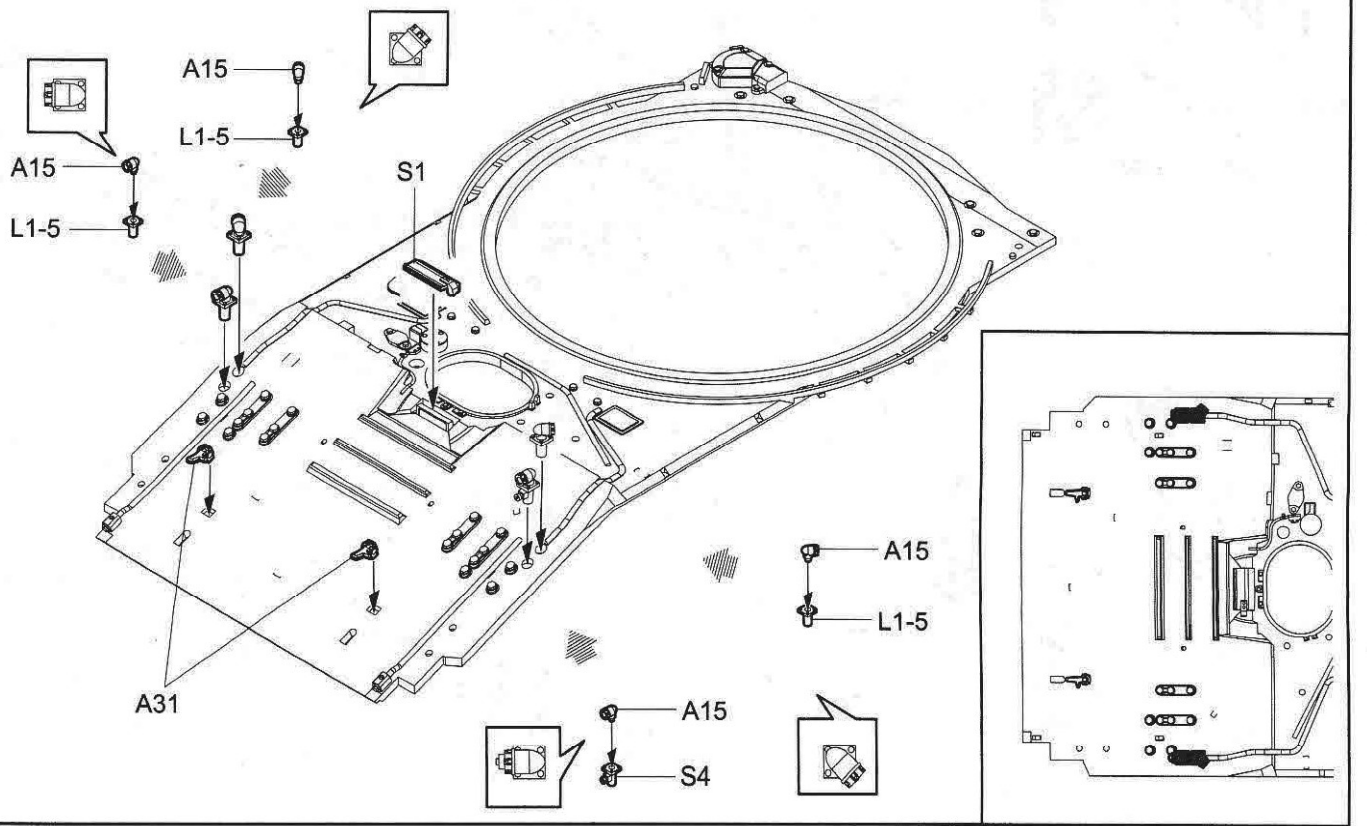
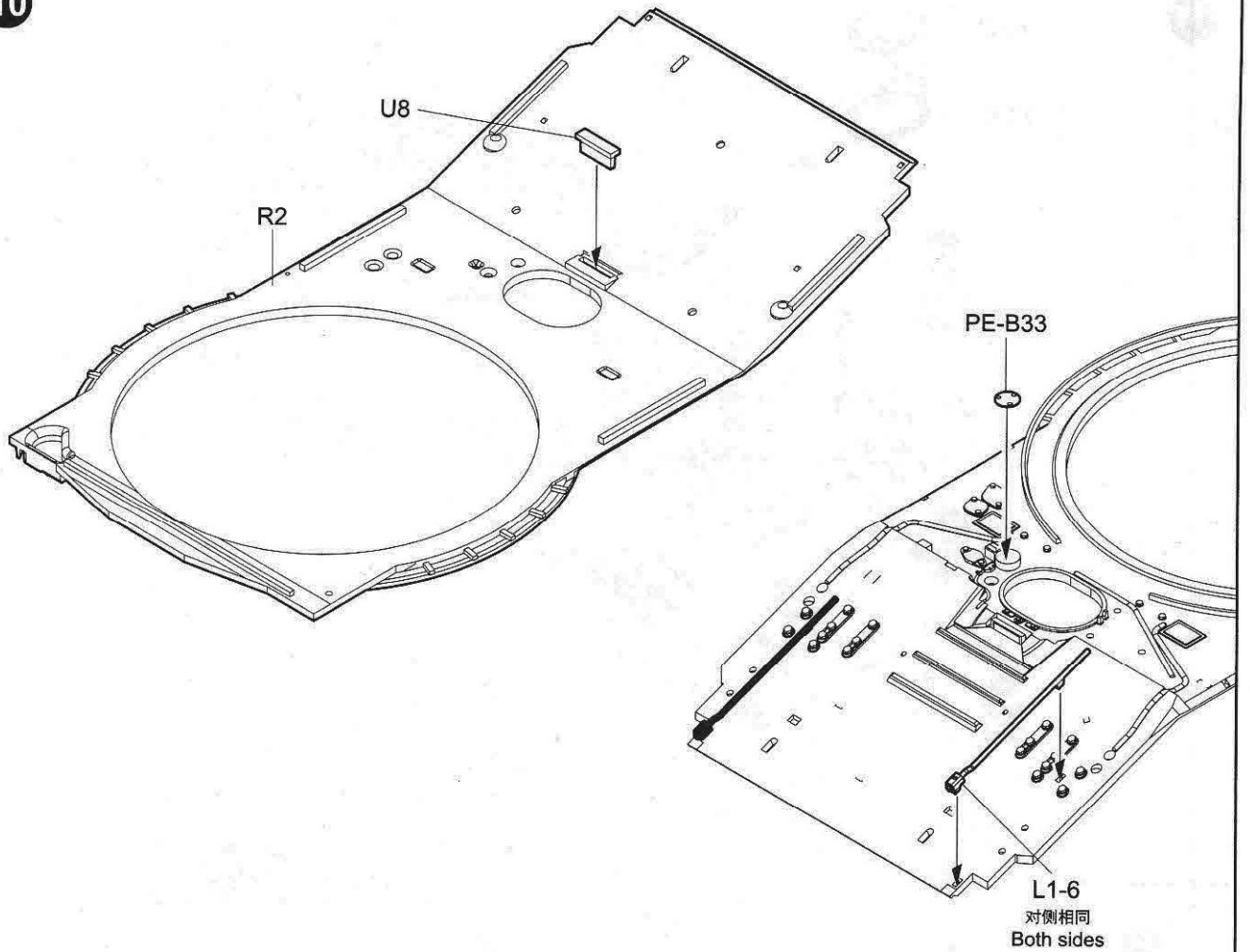


制作2组  
Make two  
《G-G》

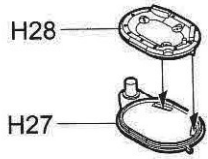
9



10



11



弯曲  
Bend  
PE-B27

A26

PE-A14  
弯曲  
Bend  
A26

PE-A7x4  
L3-5

M20

K44

B7

K51

G20

J5

M21

S5

B8

U9

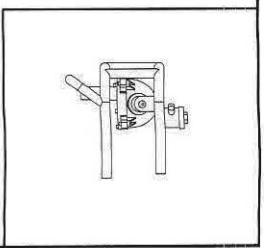
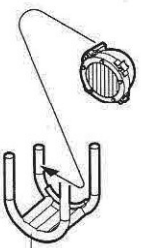
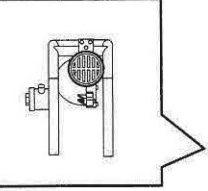
L1-4

S7

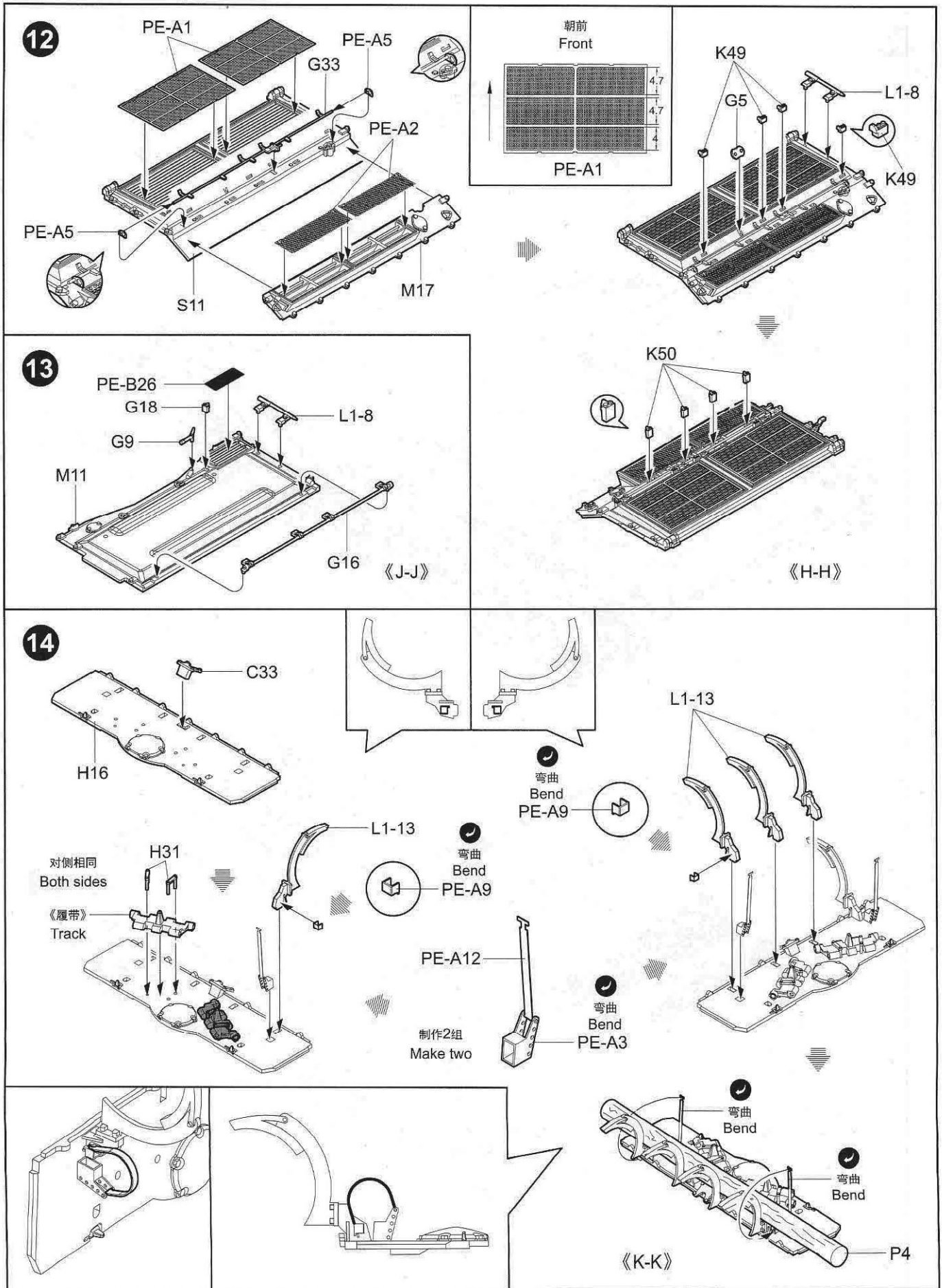
K51

U4

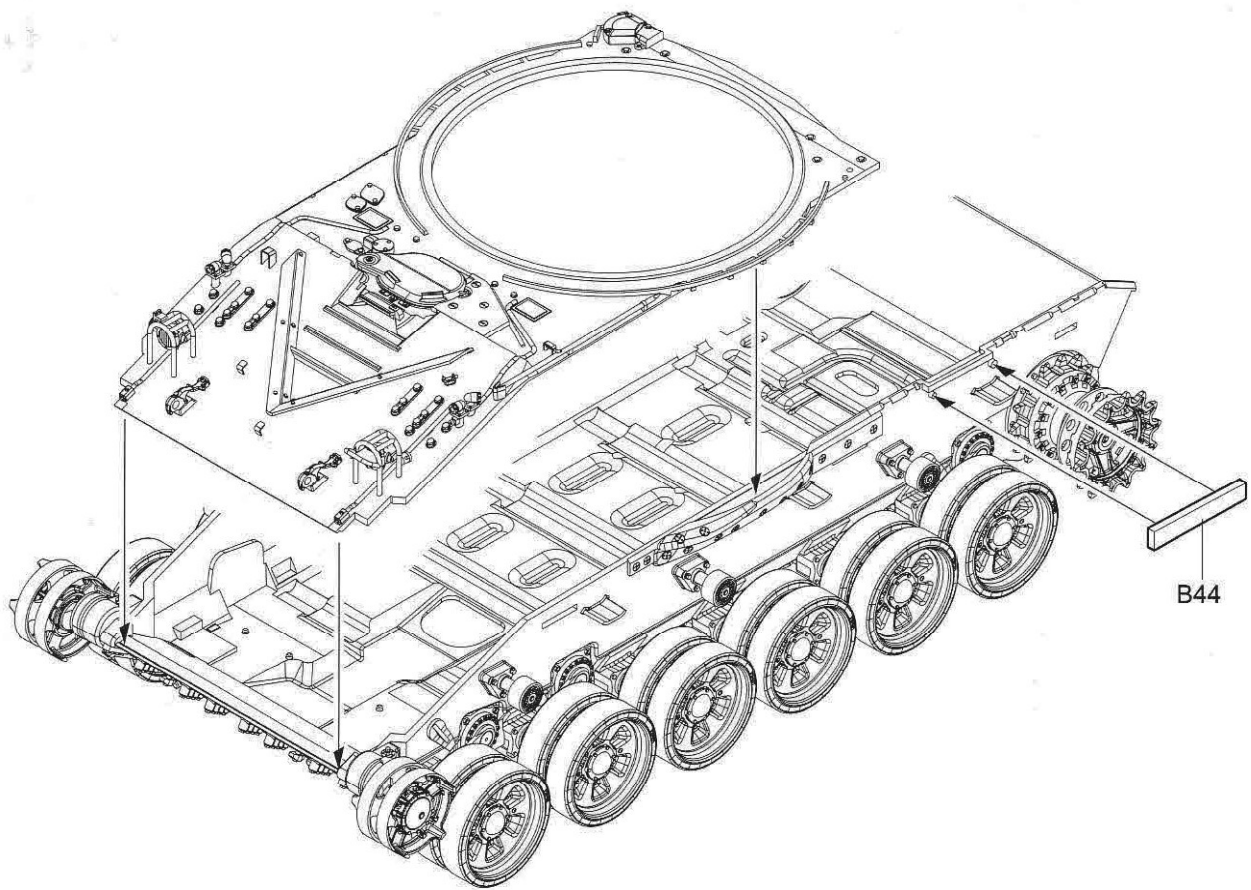
L1-4



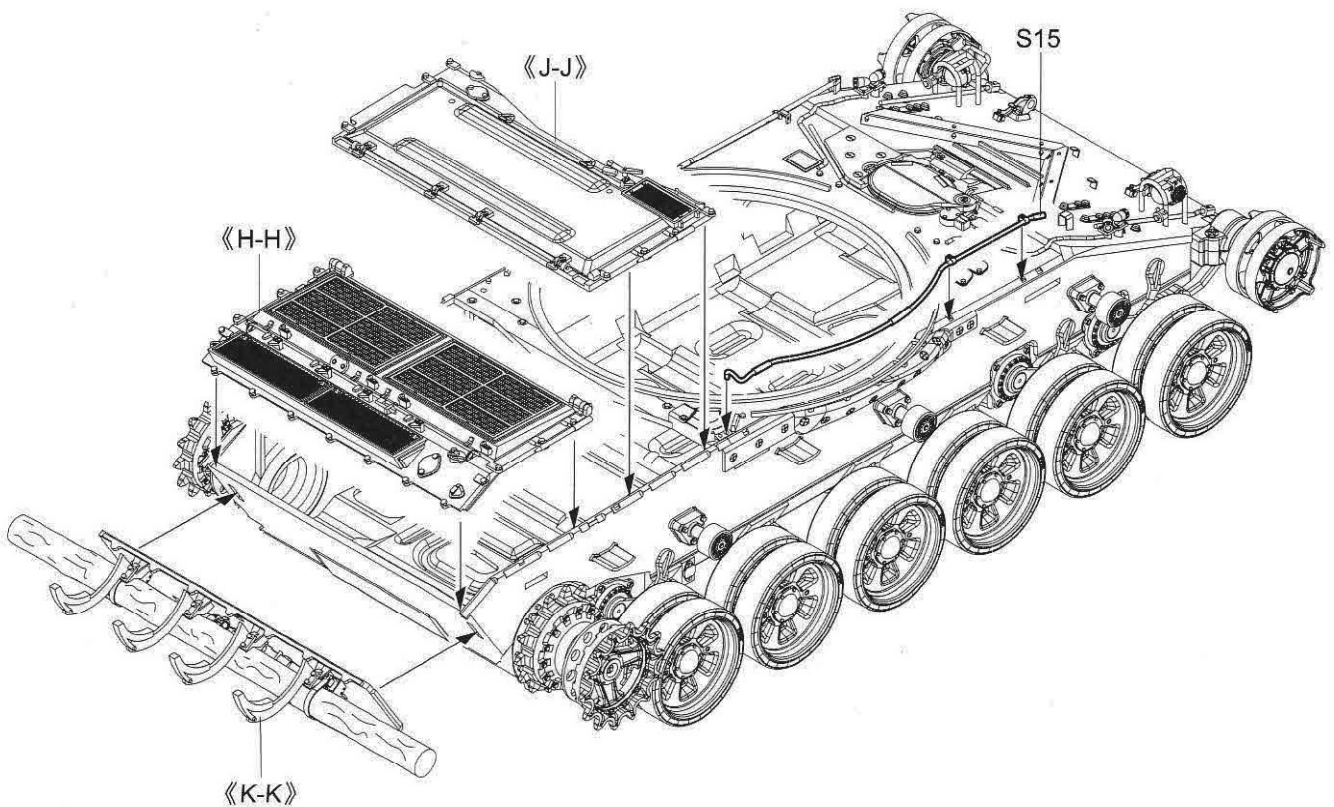




15



B44



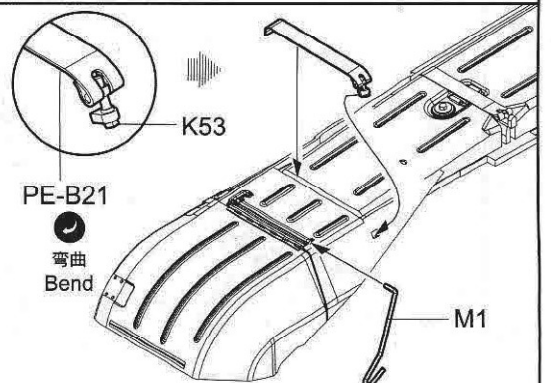
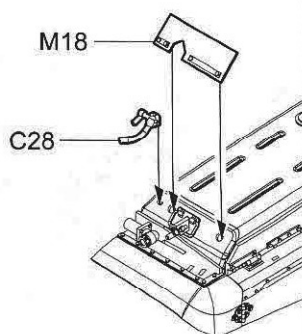
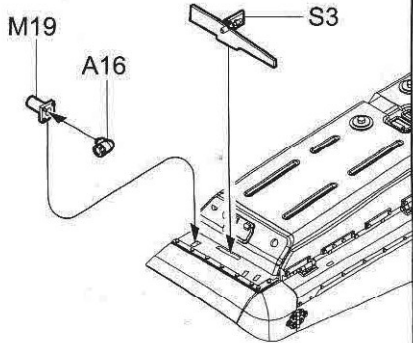
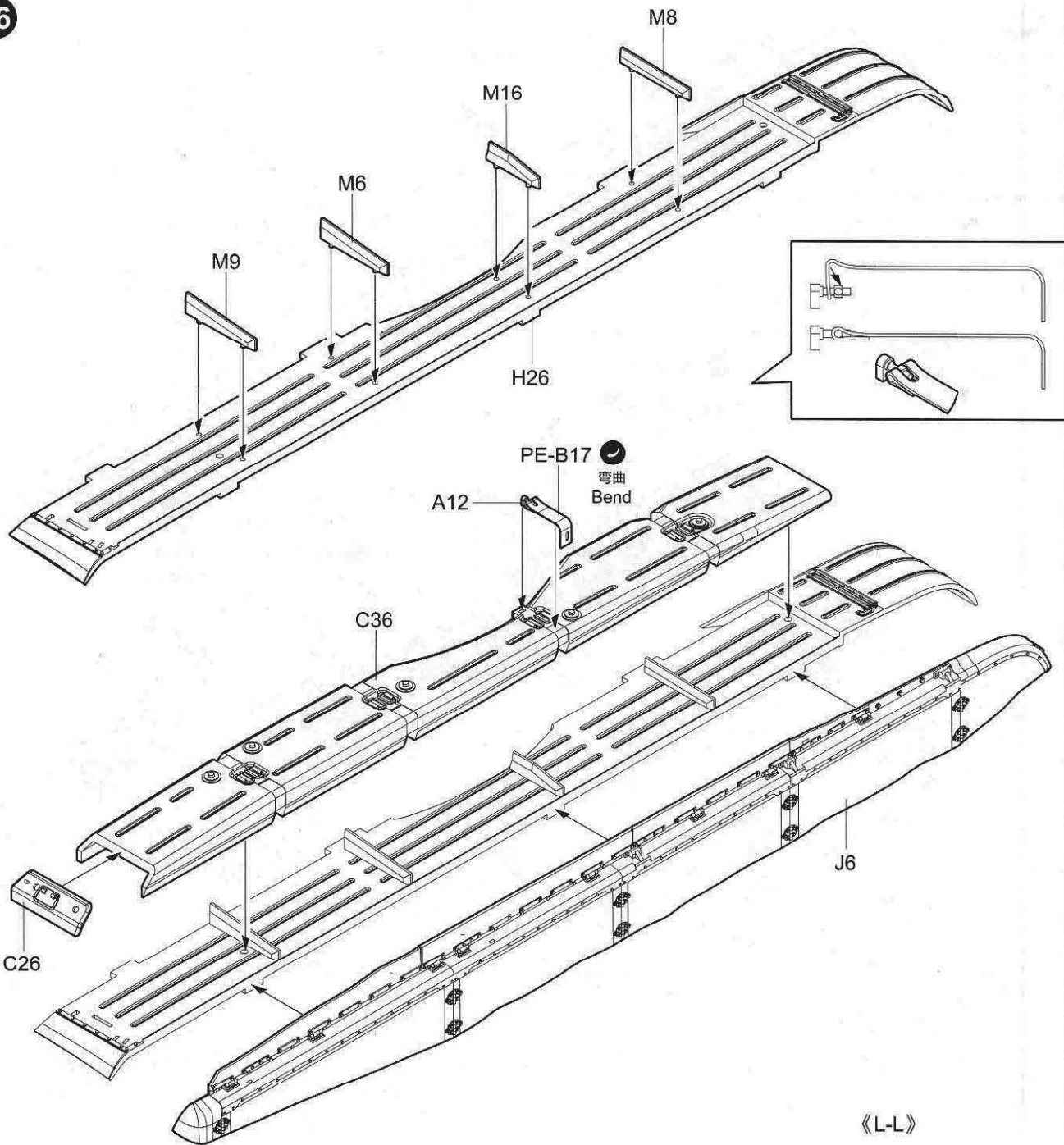
S15

《J-J》

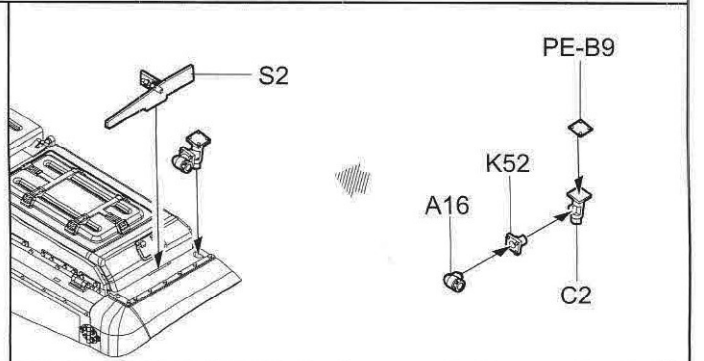
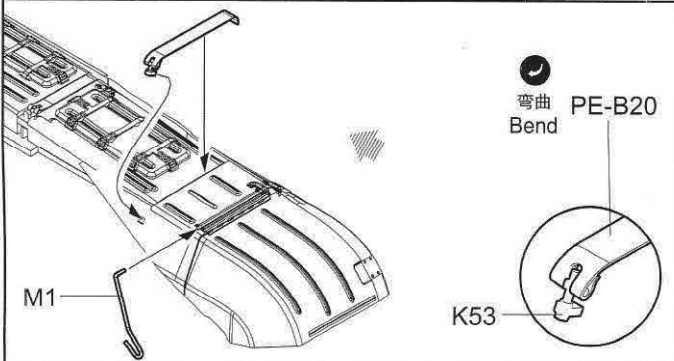
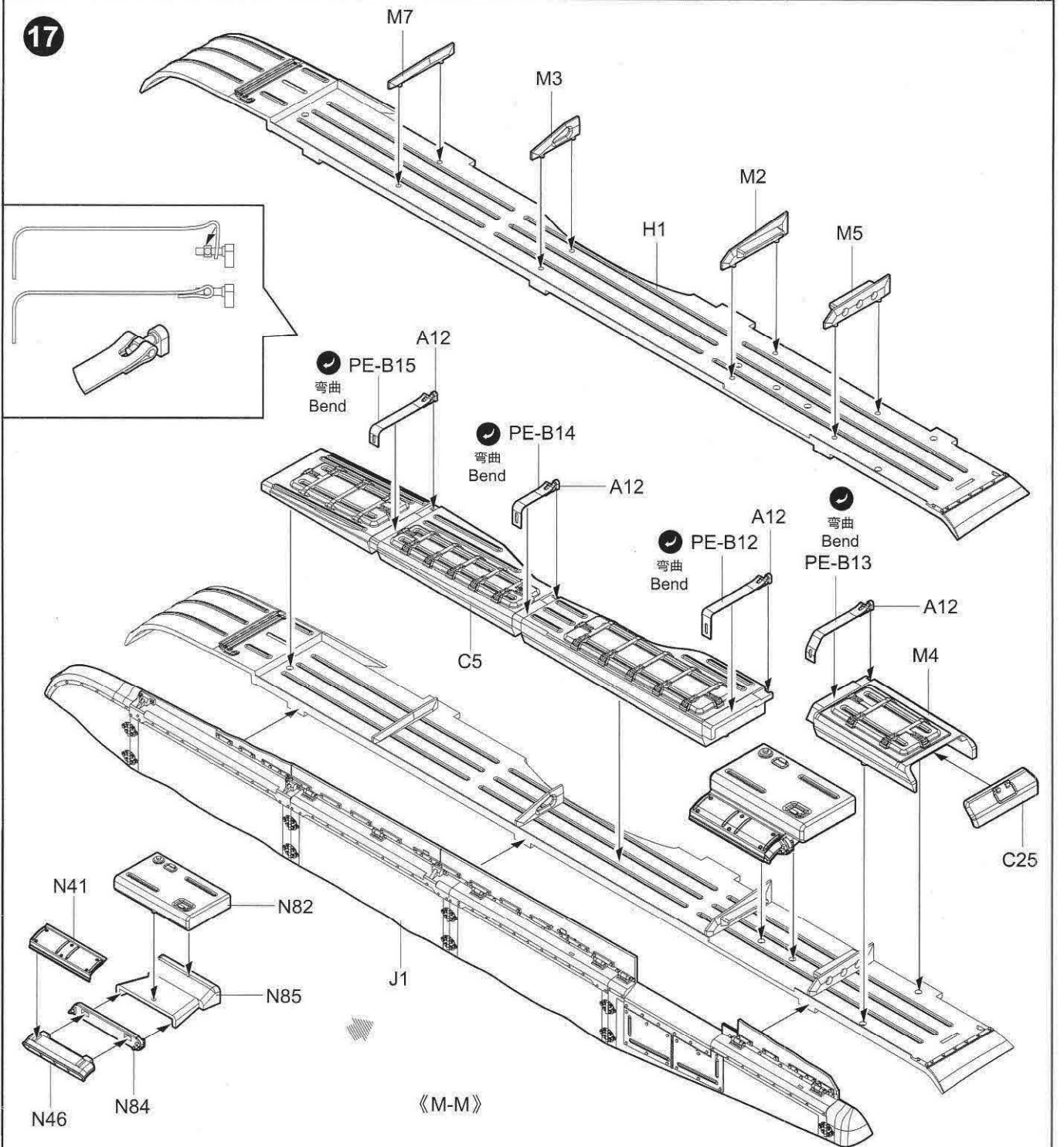
《H-H》

《K-K》

16

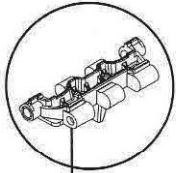


17

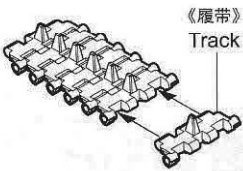


18

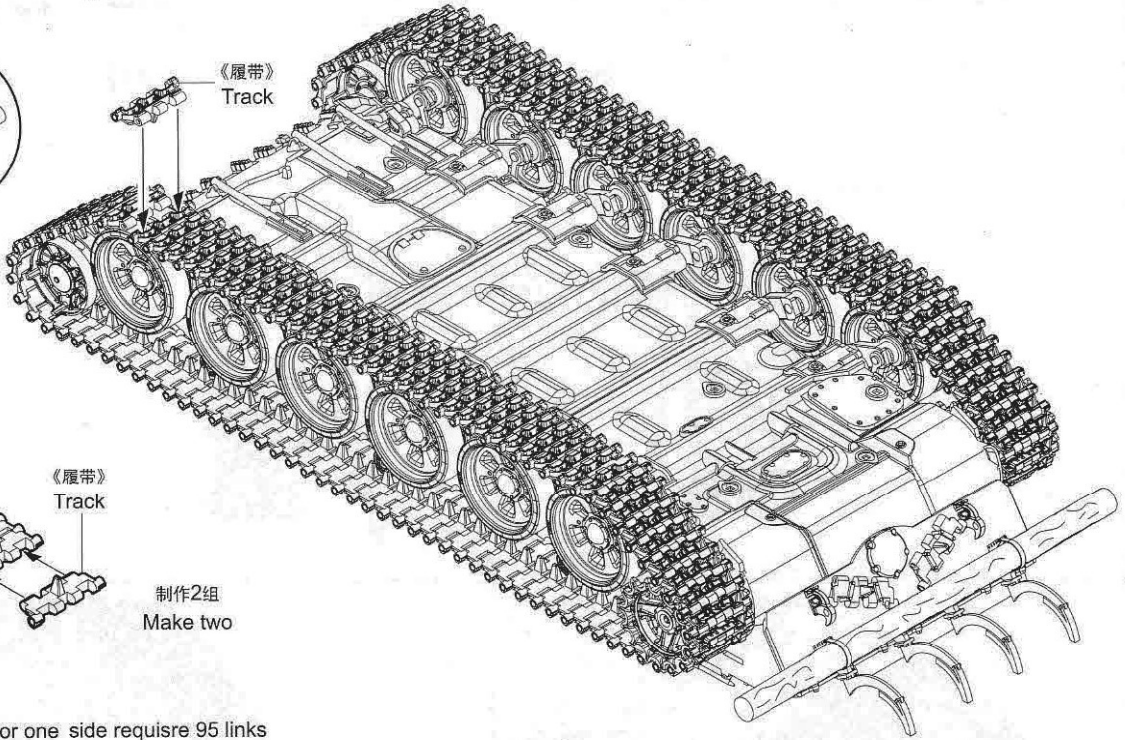
履带组装  
Track assembly



注意方向  
Notice way

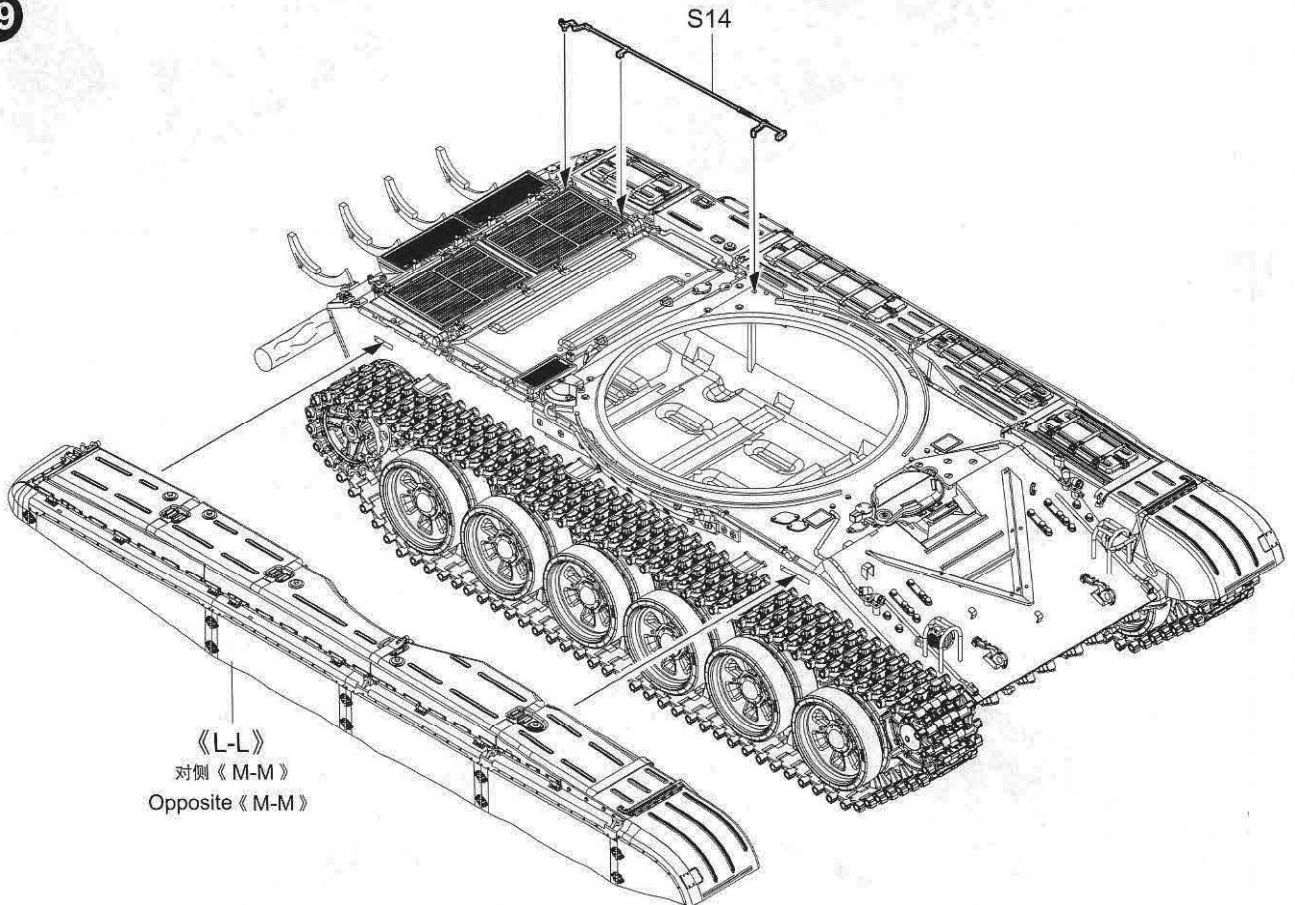


制作2组  
Make two

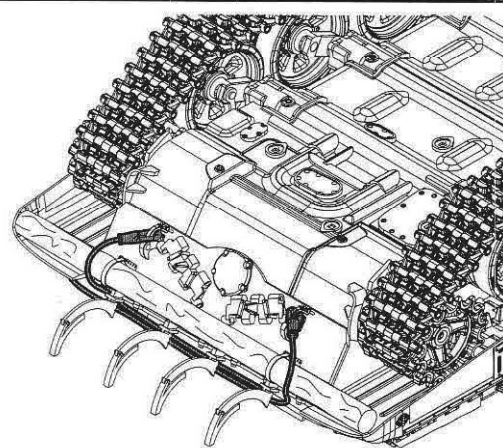
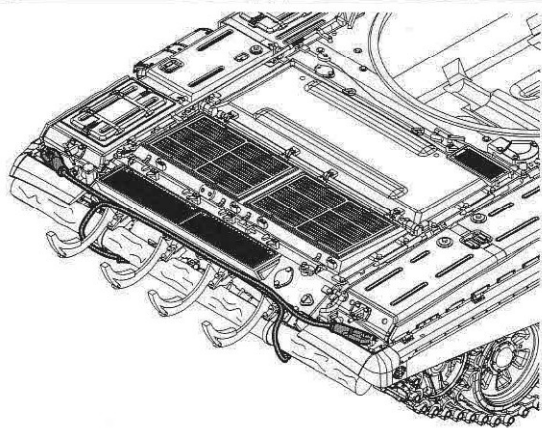
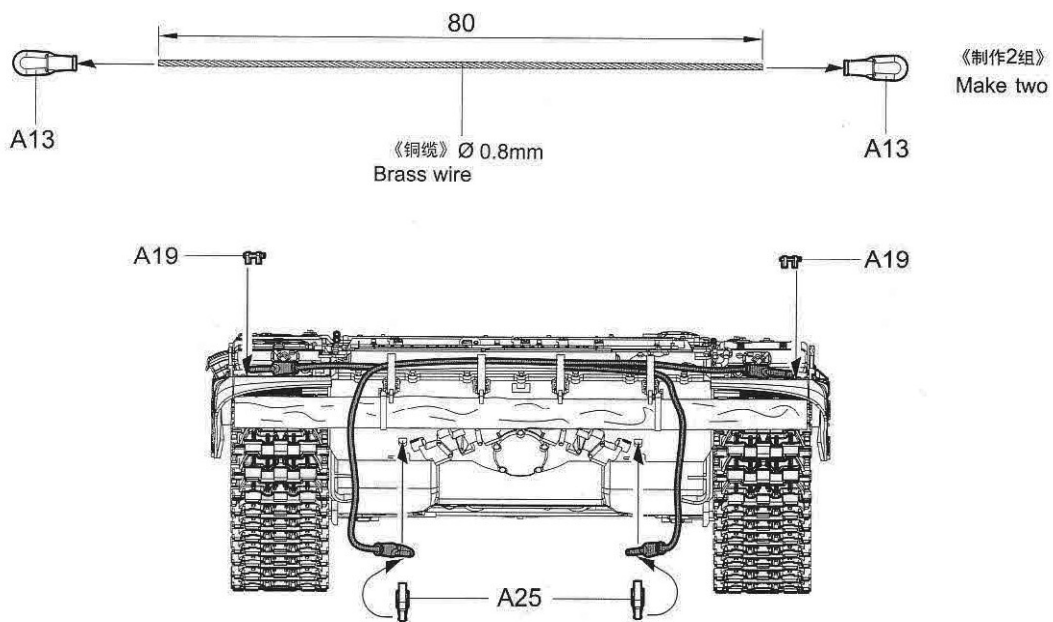


单侧履带约需95节  
Complete track for one side requirse 95 links

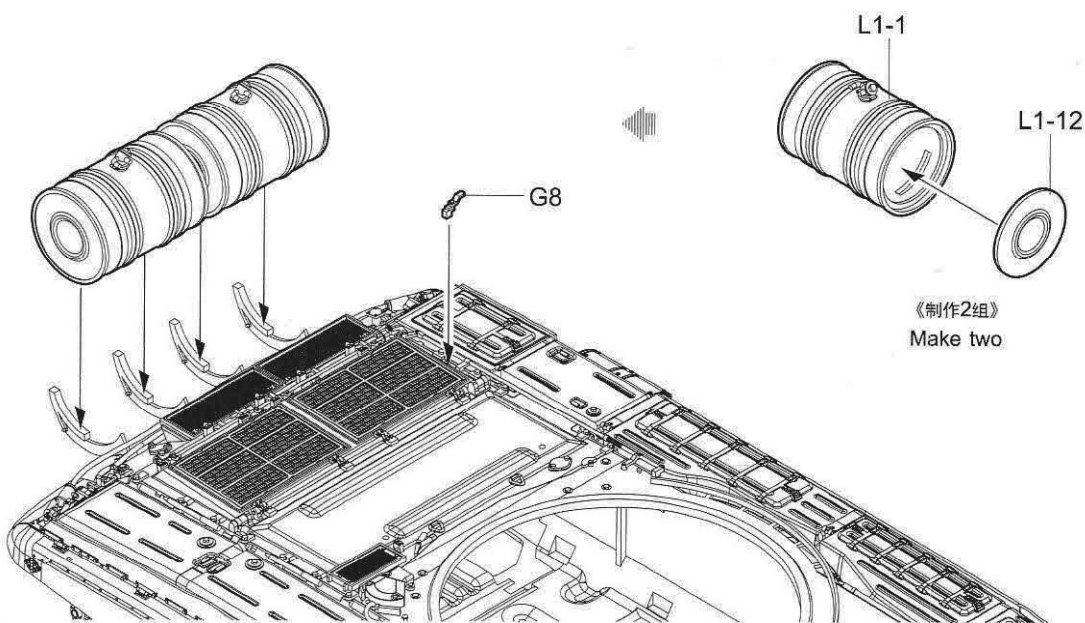
19



20



21



22

装配软管前请先穿入铜丝，使之保持弯曲状态。  
 Before you set up the vinyl tubing, please get through the copper-wire, so that it remains bend shape.

2.5 2.5

《铜丝》  
Copper-wire

《软管》  
Vinyl tubing

《软管》 $\varnothing$  1.2x35mm  
Vinyl tubing

《软管》 $\varnothing$  1.2x30mm  
Vinyl tubing

《软管》 $\varnothing$  1.2x60mm  
Vinyl tubing

PE-A13 弯曲  
Bend

PE-A4 弯曲  
Bend

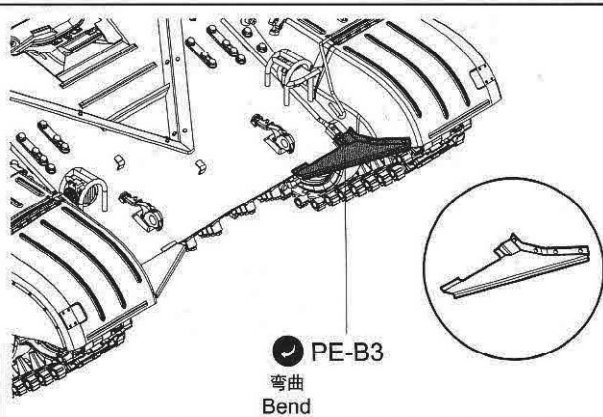
S9  
弯曲  
Bend  
PE-A4

PE-B11  
弯曲  
Bend

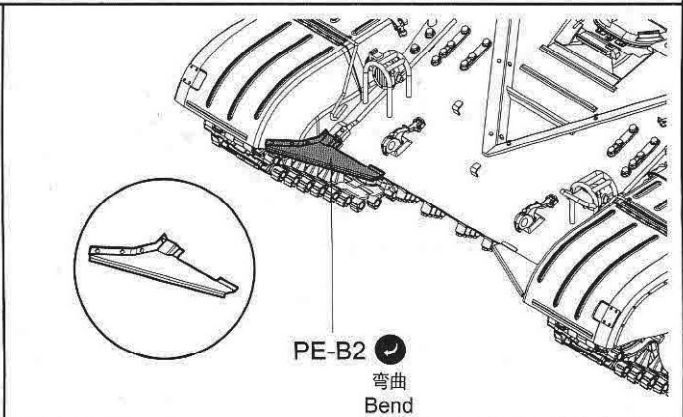
PE-B19  
弯曲  
Bend

PE-B16  
弯曲  
Bend

PE-B18  
弯曲  
Bend

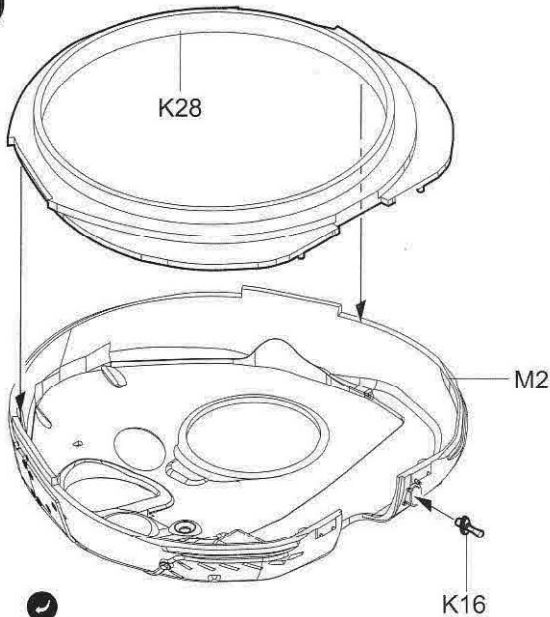


PE-B3  
弯曲  
Bend

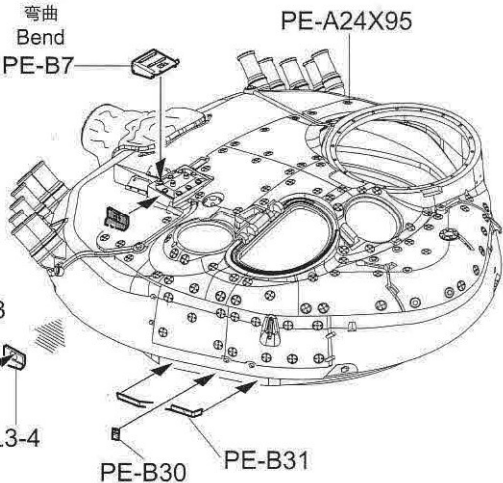


PE-B2  
弯曲  
Bend

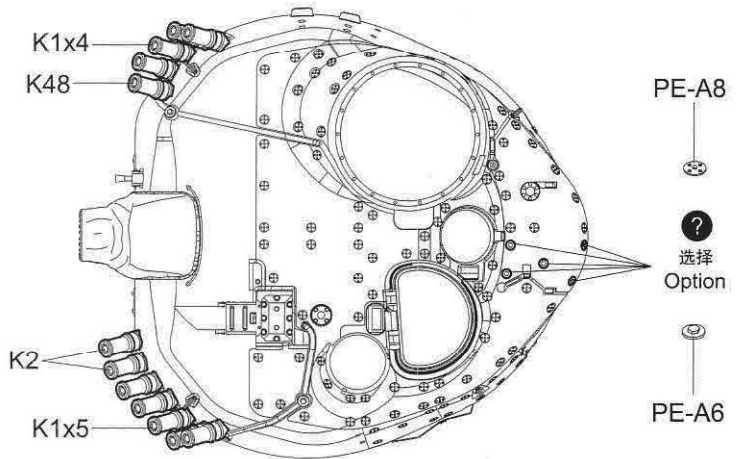
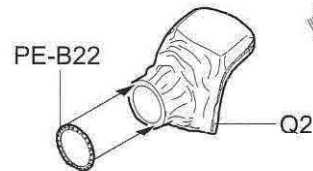
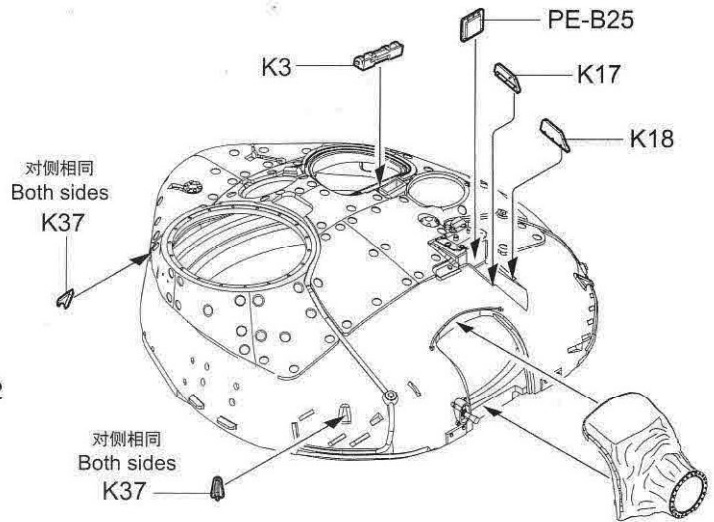
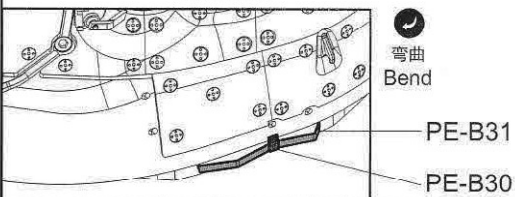
23



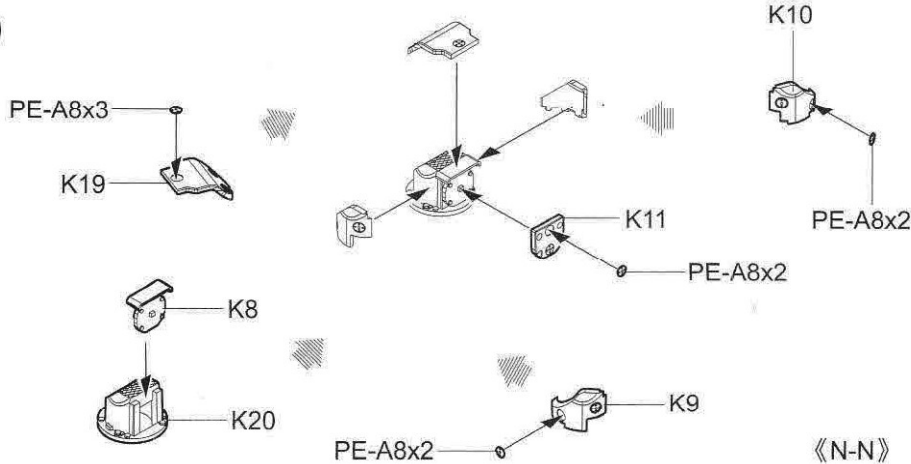
弯曲 Bend



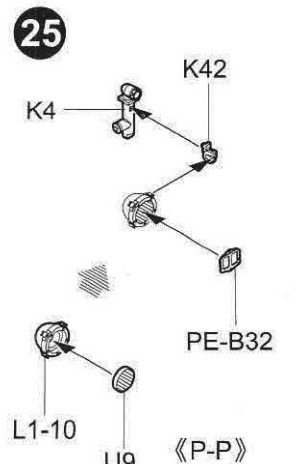
弯曲 Bend



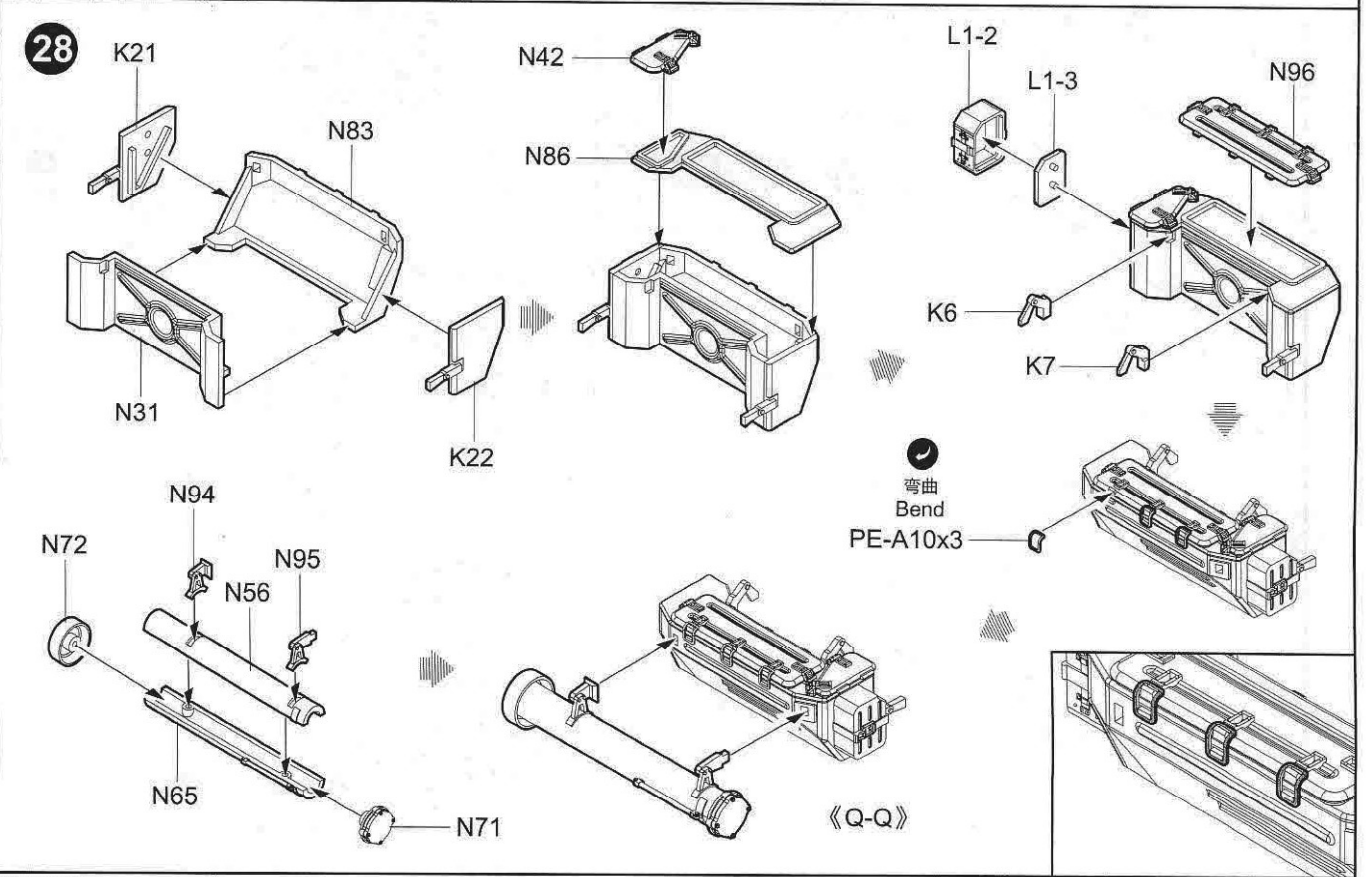
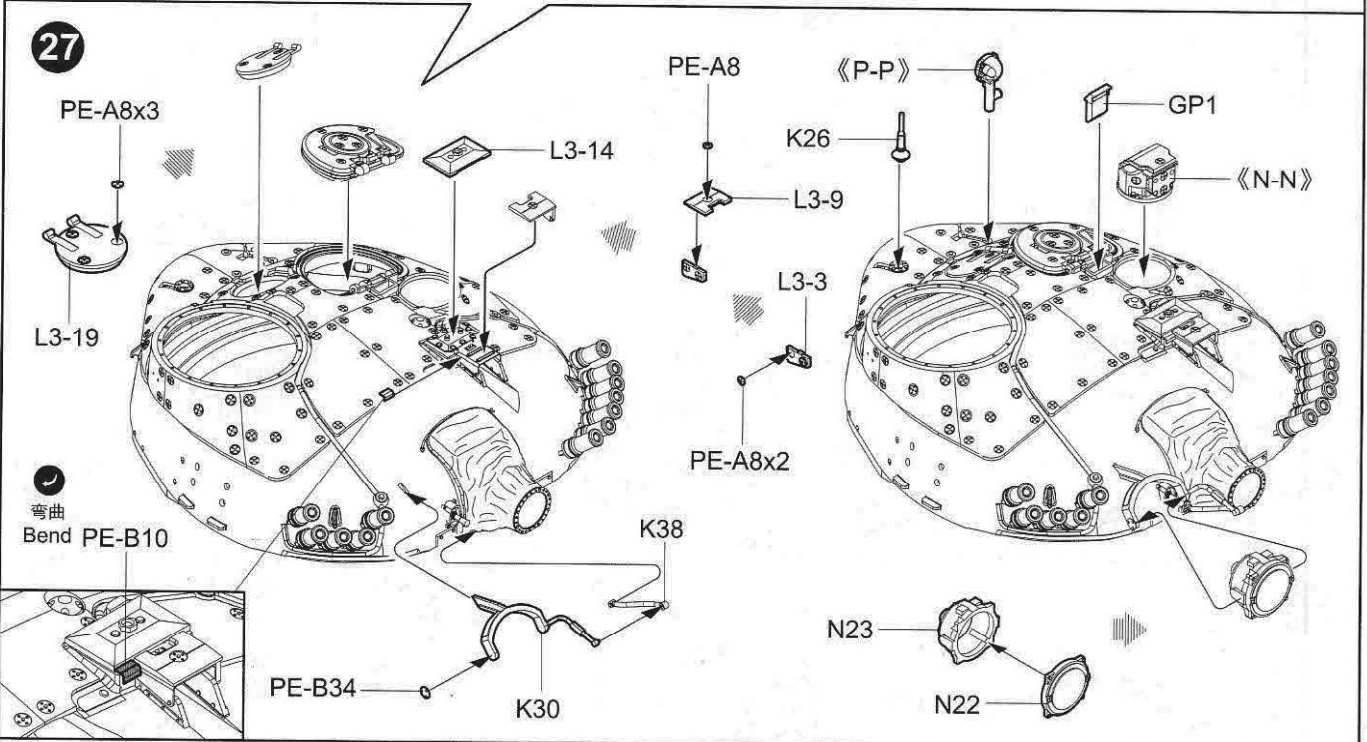
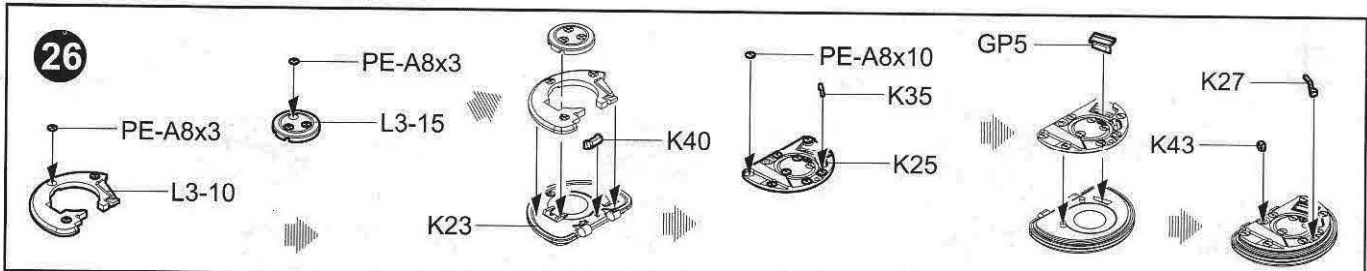
24



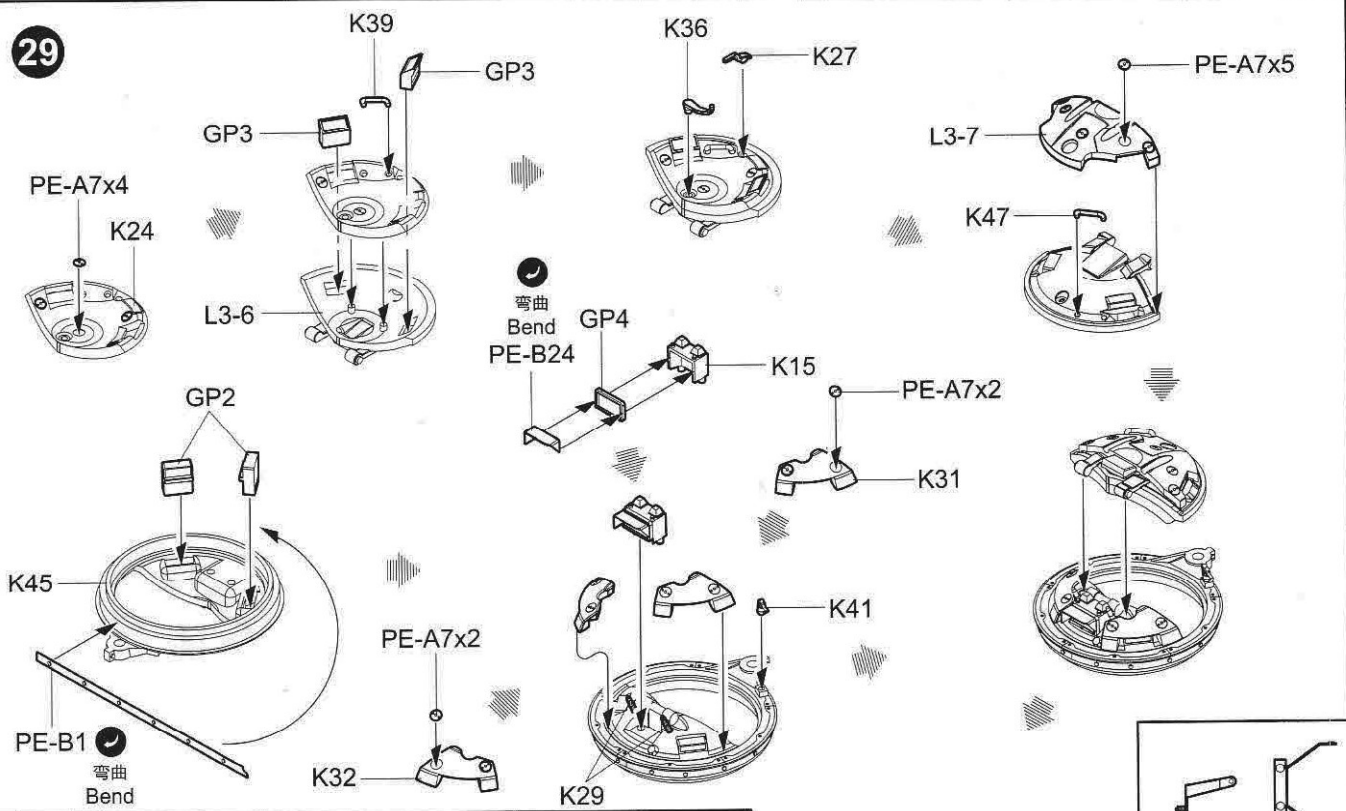
25



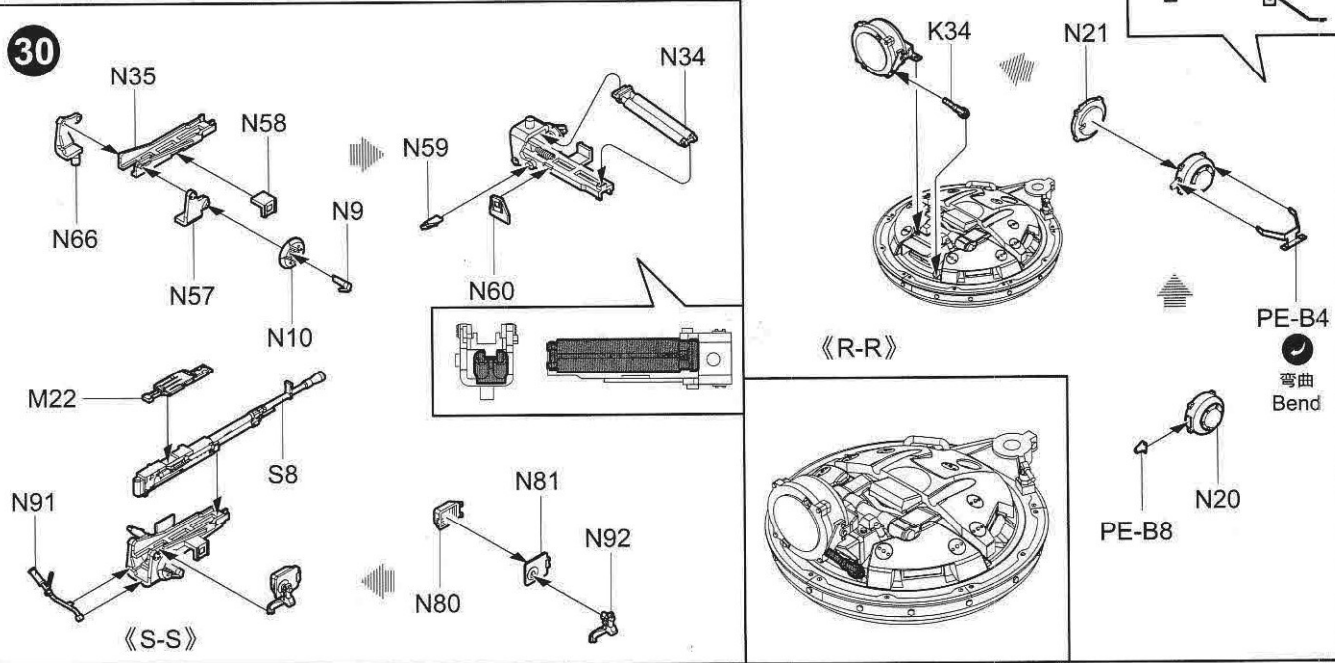




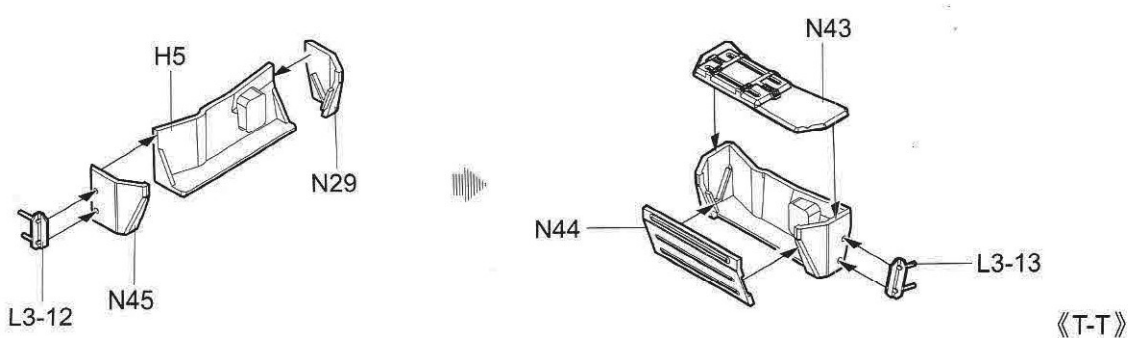
29



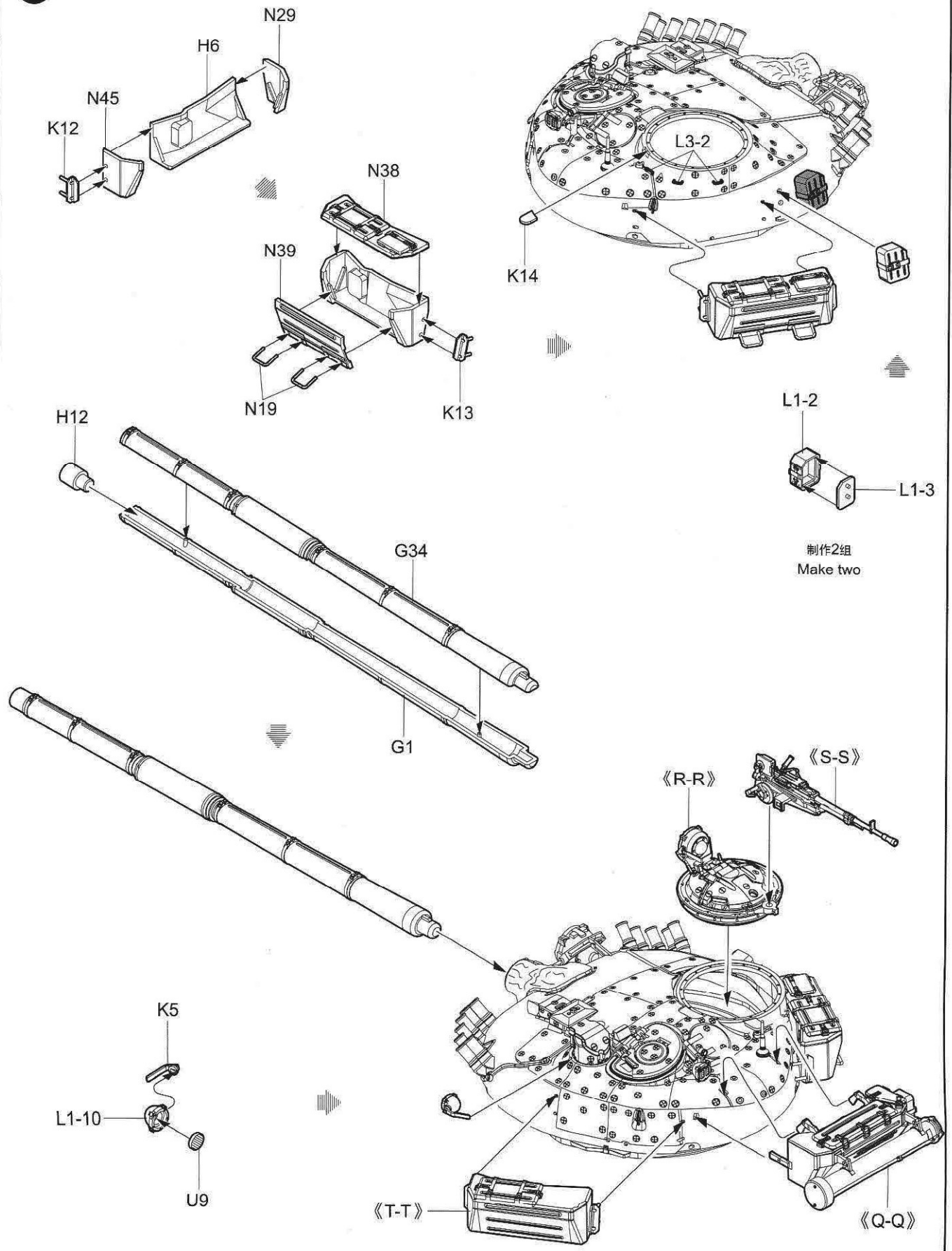
30



31



32



33

