

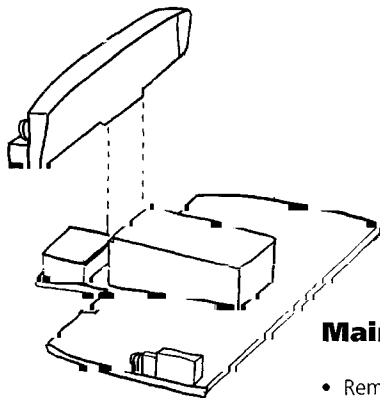
# CH-53D Cockpit Details

For the Revell 1/48 CH-53 kit

CEC48034

Fit and location of most parts are self-evident.—  
always measure twice and cut once! TEST FIT!

Use superglue or 5 minute epoxy for best results

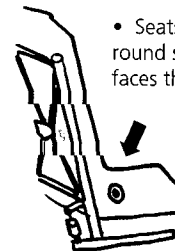
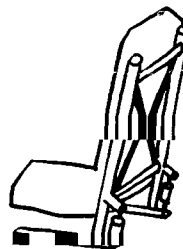


## Main Cockpit Assembly

- Remove cockpit floor from kit part. Our floor is a direct replacement for the removed part.
- Sand the Cutting Edge floor down to approximately 1/16" thick—the pedal holes will be open.
- Use the kit rudder pedals and collectives.
- Trim the overhead console to fit inside the canopy.

## Seat Assembly

- Glue the seat support rails to the seat back in the appropriate places.



- Seats are "handed;" the round seat adjuster knob faces the center console.