

RCAF "I WING" MK6 SABRE

#72.10 1/72 SCALE
DECAL SET #48.10 1/48 SCALE
#32.3 1/32 SCALE

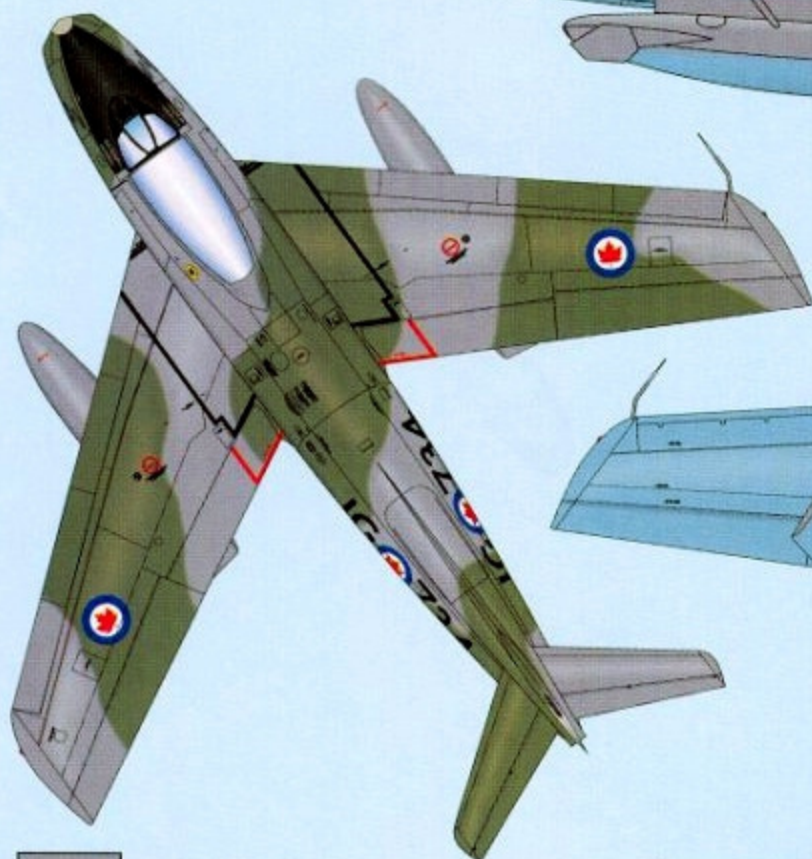
**Leading
Edge** MODELS

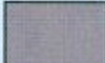
*Limited Edition Model Decal
(Short Production Runs)*

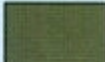


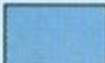
Complete markings for one aircraft
including all stencils.
Optional markings from 410, 439
and 441 squadrons.

RCAF SABRES
#1 FIGHTER WING
MARVILLE, FRANCE
1955-63



 DARK SEA GREY

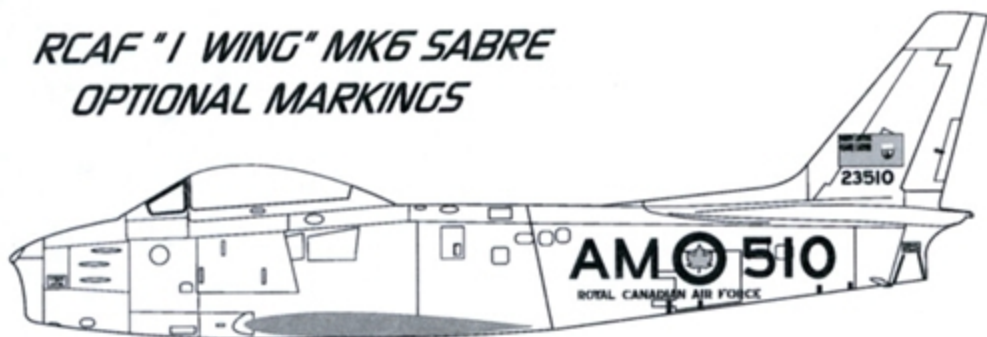
 DARK GREEN

 PRU BLUE

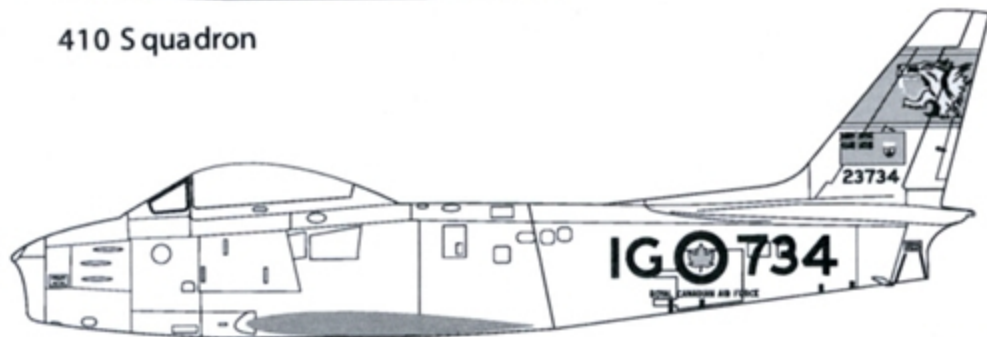
Colour match
information inside.

NOTE: Camouflage pattern is representative
of the "in service" scheme worn after repaint in Europe.

**RCAF "1 WING" MK6 SABRE
OPTIONAL MARKINGS**

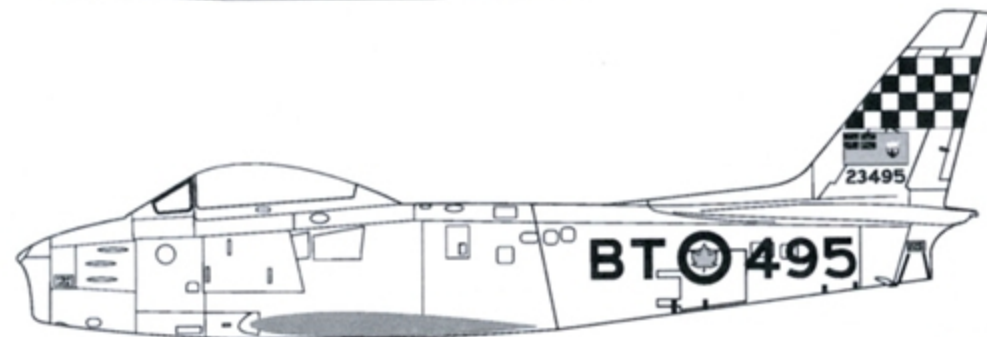
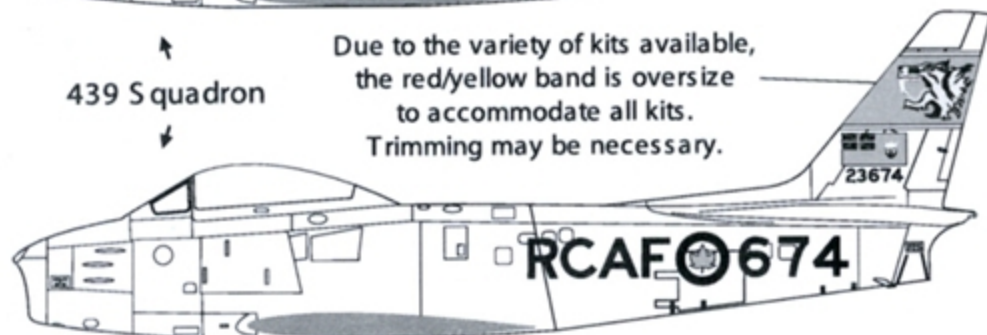


410 S Squadron



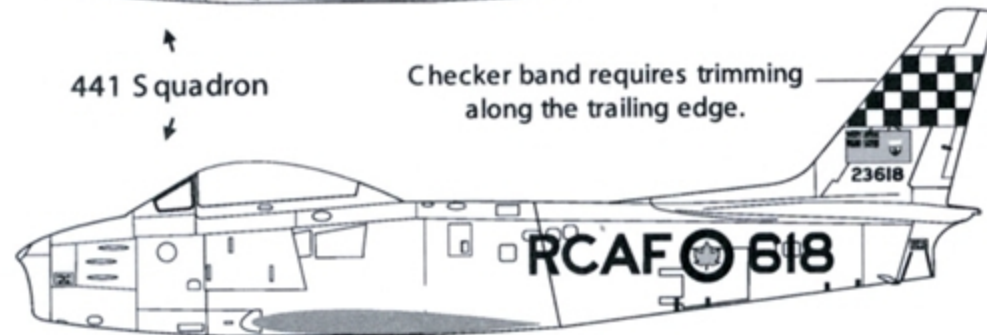
439 S Squadron

Due to the variety of kits available,
the red/yellow band is oversize
to accommodate all kits.
Trimming may be necessary.

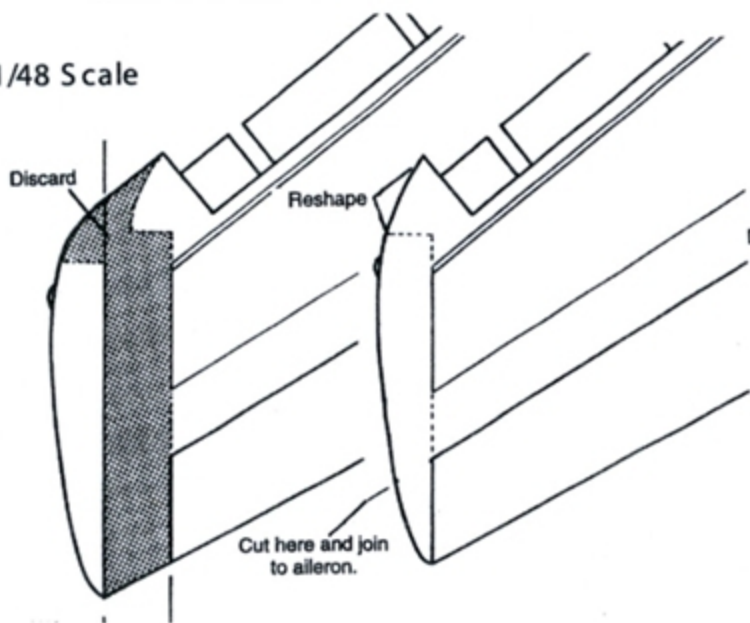


441 S Squadron

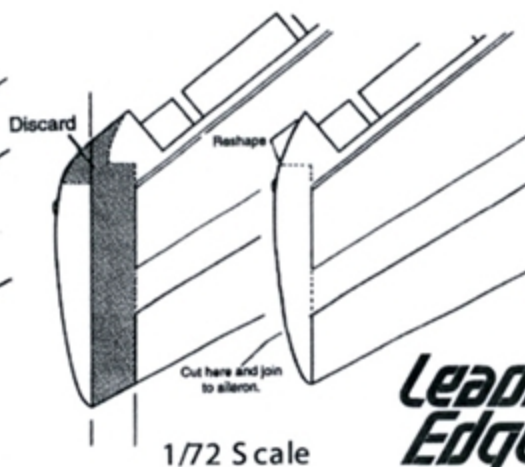
Checker band requires trimming
along the trailing edge.



1/48 Scale



Drawings to shorten wing if using
an F-86F-40 "long wing" model kit.

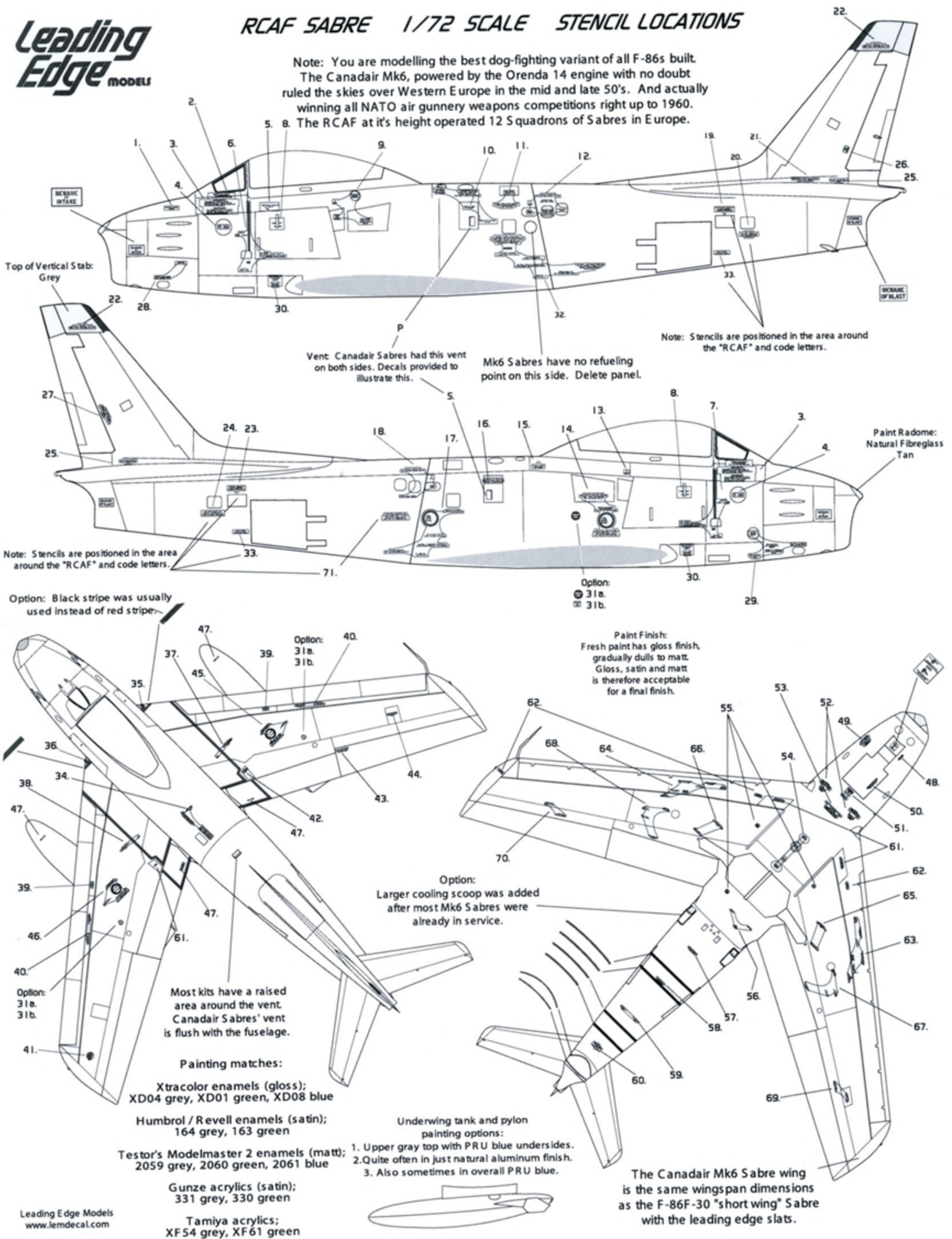


1/72 Scale

RCAF SABRE 1/72 SCALE STENCIL LOCATIONS

Note: You are modelling the best dog-fighting variant of all F-86s built. The Canadair Mk6, powered by the Orenda 14 engine with no doubt ruled the skies over Western Europe in the mid and late 50's. And actually winning all NATO air gunnery weapons competitions right up to 1960.

5. B. The RCAF at it's height operated 12 S squadrons of Sabres in Europe.



Top of Vertical Stab: Grey

Note: Stencils are positioned in the area around the "RCAF" and code letters.

Vent: Canadair Sabres had this vent on both sides. Decals provided to illustrate this. Mk6 Sabres have no refueling point on this side. Delete panel.

Note: Stencils are positioned in the area around the "RCAF" and code letters.

Option: Black stripe was usually used instead of red stripe.

Paint Finish: Fresh paint has gloss finish, gradually dulls to matt. Gloss, satin and matt is therefore acceptable for a final finish.

Option: Larger cooling scoop was added after most Mk6 Sabres were already in service.

Most kits have a raised area around the vent. Canadair Sabres' vent is flush with the fuselage.

- Painting matches:
- Xtracolor enamels (gloss); XD04 grey, XD01 green, XD08 blue
 - Humbrol / Revell enamels (satin); 164 grey, 163 green
 - Testor's Modelmaster 2 enamels (matt); 2059 grey, 2060 green, 2061 blue
 - Gunze acrylics (satin); 331 grey, 330 green
 - Tamiya acrylics; XF54 grey, XF61 green

- Underwing tank and pylon painting options:
1. Upper gray top with PRU blue undersides.
 2. Quite often in just natural aluminum finish.
 3. Also sometimes in overall PRU blue.

The Canadair Mk6 Sabre wing is the same wingspan dimensions as the F-86F-30 "short wing" Sabre with the leading edge slats.