

1/72 Scale

ITEM No.:87247



Rafale M

ラファール M

法国阵风M型战斗机

PLEASE READ BEFORE OPERATION!

- * Tools recommended as below: (Not included)
Adhesives; Paints; Side Cutters; Sharp Edged Pliers; Modeling Knife; Modeling File; Nippers; Drill; Scissors; Sand Paper; Soft Cloth; Cyanoacrylate Glue.
- * Make sure to read this instruction listed below before assembling.
- * The kit contains the small parts, they can be dangerous if swallowed by mistake, so keep them away from reach of children.
- * Cut the all parts off carefully and remove the waste parts into the garbage can.
- * More caution and care should be needed for cutting and handling the photo etched parts.
- * Make attention that some parts should be attached the decal when assembled.
- * During assembling, please tear up and throw away the plastic bags, or may cause the dangerous if wearing over head by children's mistake.
- * When using the adhesives and paints, please do not use them in the closed room or near the fire, also must be very careful to protect your eyes, face and clothes.
- * Adult supervised when assembled by children under 14 years old.

装配前请仔细阅读:

- * 推荐使用的模型工具(请自备):
专用模型胶水, 专用模型油漆, 水口剪刀, 长咀钳, 刀片, 锉刀, 镊子钳, 钻, 剪刀, 软布, 砂纸, 瞬间快干胶等。
- * 用水口剪刀或刀片小心切下所有塑胶零件和蚀刻片零件, 不要遗失小零件。
- * 切取蚀刻片时应特别注意防止利边划伤手指。
- * 用模型锉刀小心锉平所有零件表面的注射浇口。
- * 用适量的强力快干胶水粘合蚀刻片零件和金属轴, 切忌过量, 否则可能导致可动零件被粘住。
- * 注意某些零件表面需在装配时同步贴水上贴纸。
- * 制作时应远离幼儿并将包装袋及时收妥, 谨防小孩玩耍而引起意外。

 Using CA super glue
使用强力胶

 weight
配重

 make hole
钻孔

 cut / remove
切除

 option
选择

 no cement
不涂胶水

 decal
贴纸

 bend
弯曲

 repair
填补

The method to apply the decals

1. Cut off the decal from the decal paper and put it into the warm water 40°C for 10 seconds.
2. Take the decal from the water and put it on a piece of clean cloth.
3. Remove the decal slowly from the paper to the targeted location by a wet finger.
4. Use a piece of dry and soft cloth to press it gently on the decal until it getting dry and no bubble existing.

水贴纸的使用方法:

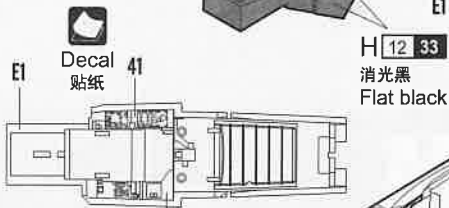
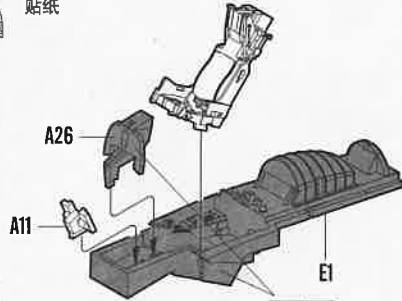
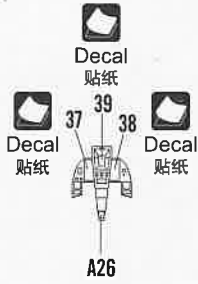
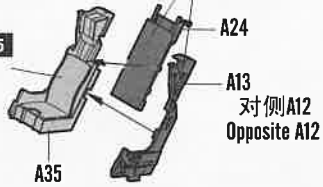
- 一. 把相关的印花从水贴上剪下, 放入40°C左右的温水中浸10秒。
- 二. 然后将印花放在干净的布上。
- 三. 拿上印花纸板, 手指蘸水将印花移到适当的位置。
- 四. 用软干布轻压印花直至水干, 气泡消失。

87247

1
STEP

H 12 33
消光黑
Flat black

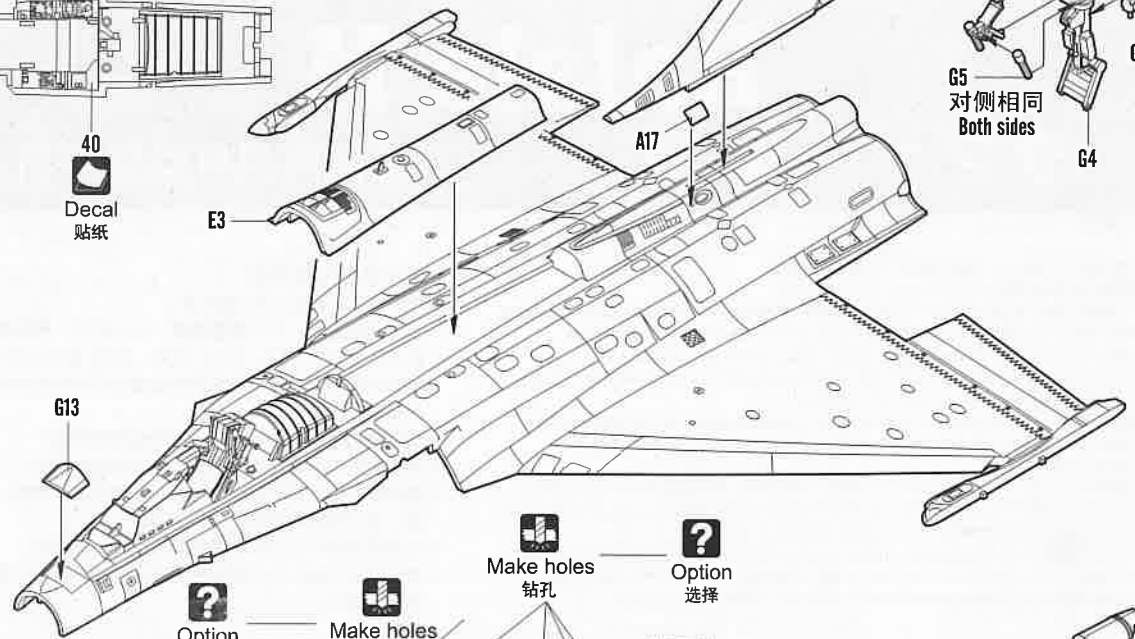
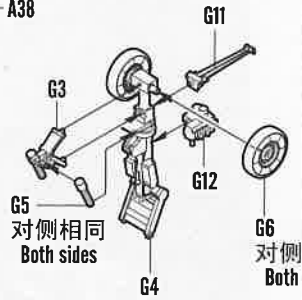
H 81 55
卡其色
Khaki



40
Decal 贴纸

E3

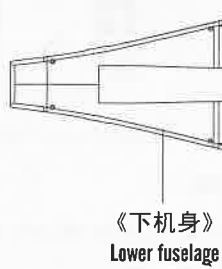
《上机身》
Upper fuselage



?
Option
选择

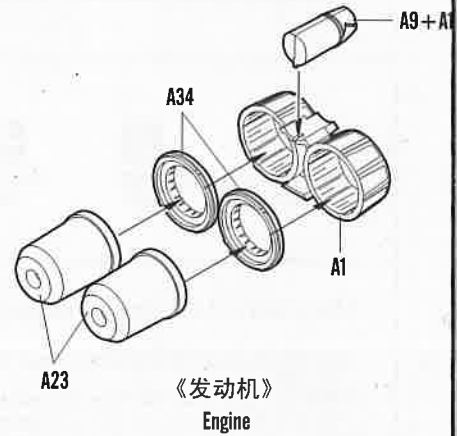
?
Make holes
钻孔

?
Make holes
钻孔
Option
选择

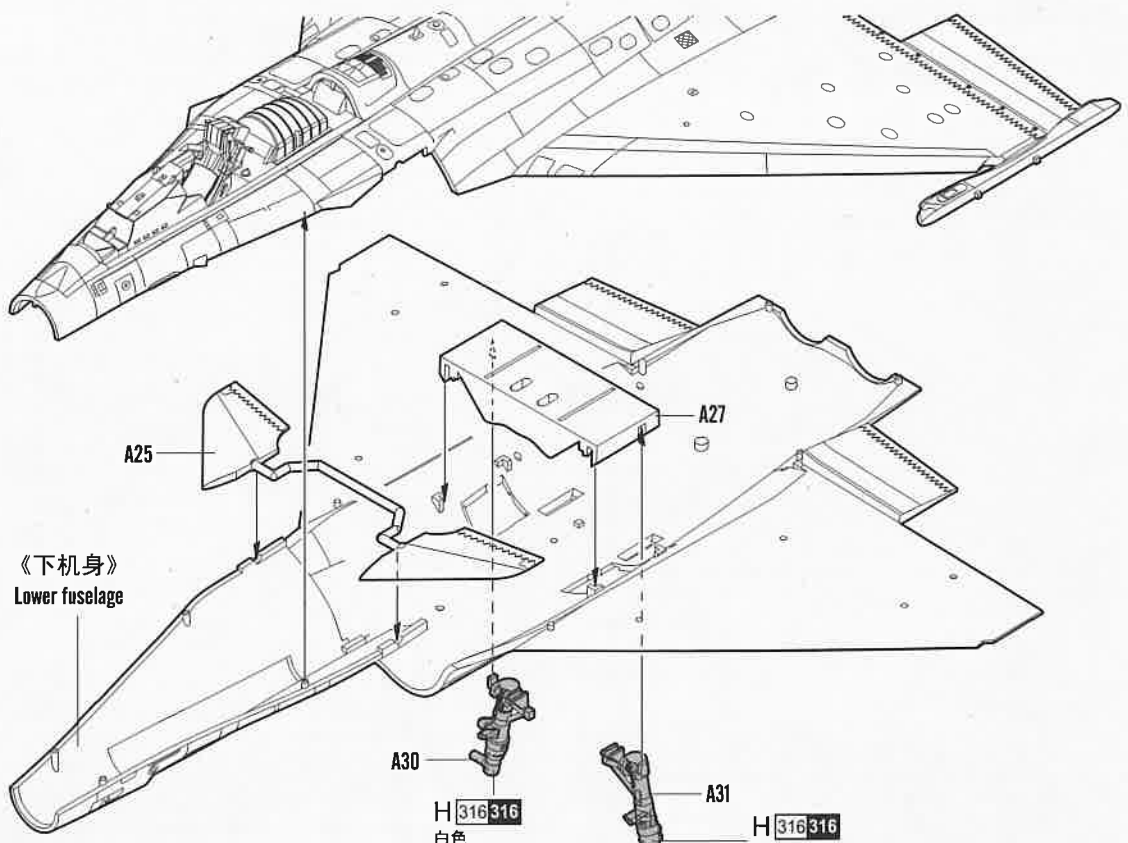


?
Option
选择

?
Make holes
钻孔



2
STEP



《下机身》
Lower fuselage

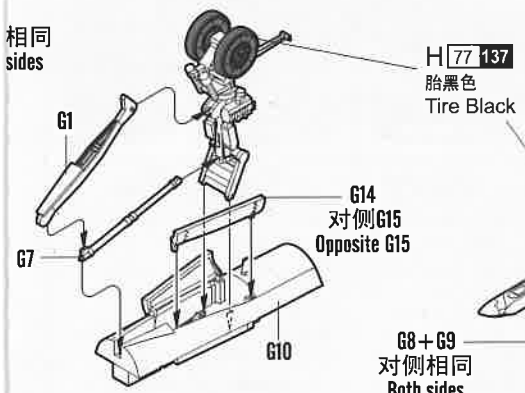
A30

H 316316
白色
White Insignia

A31

H 316316
白色
White Insignia

相同
sides

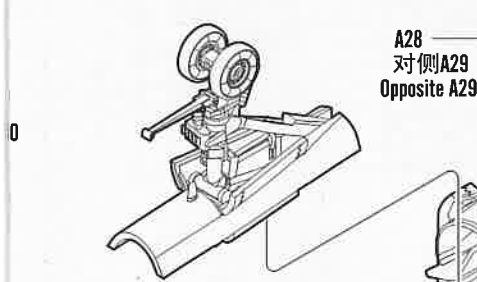


H 77 137
胎黑色
Tire Black

对侧A22
Opposite A22
A21

对侧A8
Opposite A8
A7

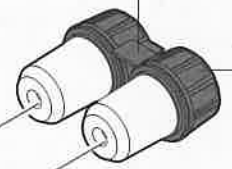
《发动机》
Engine



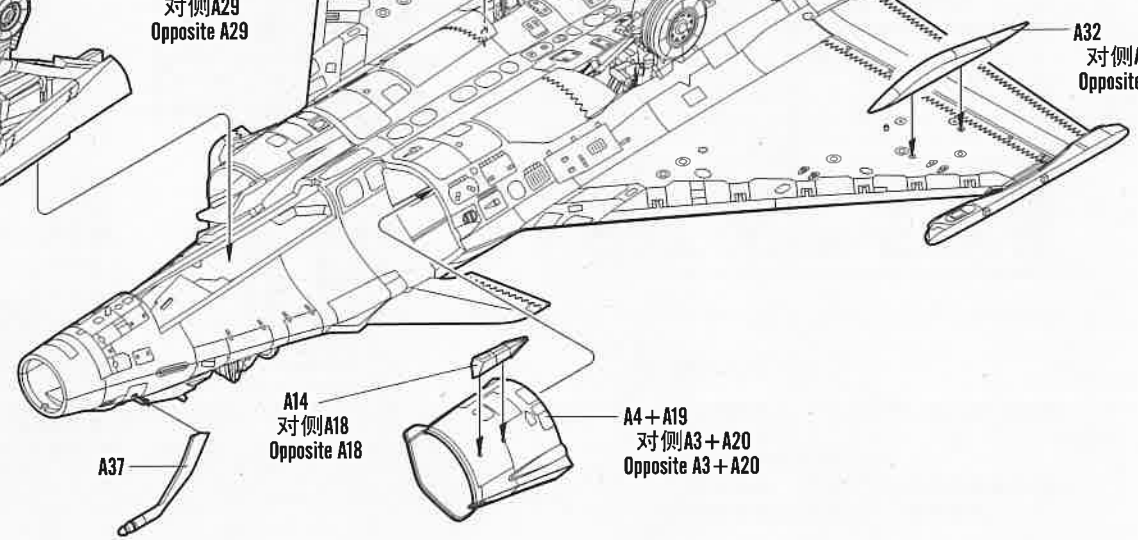
G8+G9
对侧相同
Both sides

A28
对侧A29
Opposite A29

对侧A6
Opposite A6
A5



A16



A32
对侧A33
Opposite A33

A14
对侧A18
Opposite A18

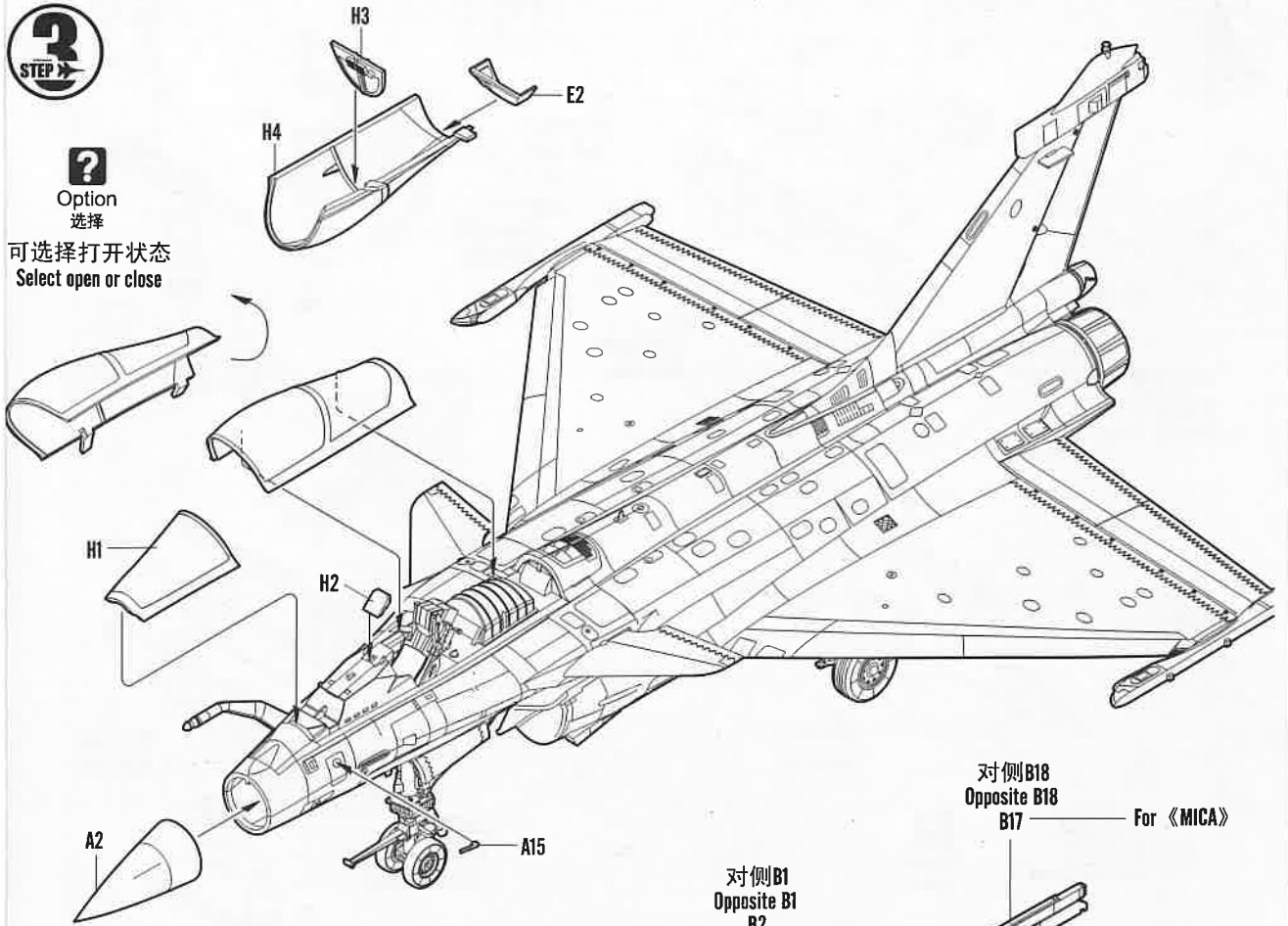
A4+A19
对侧A3+A20
Opposite A3+A20

3
STEP

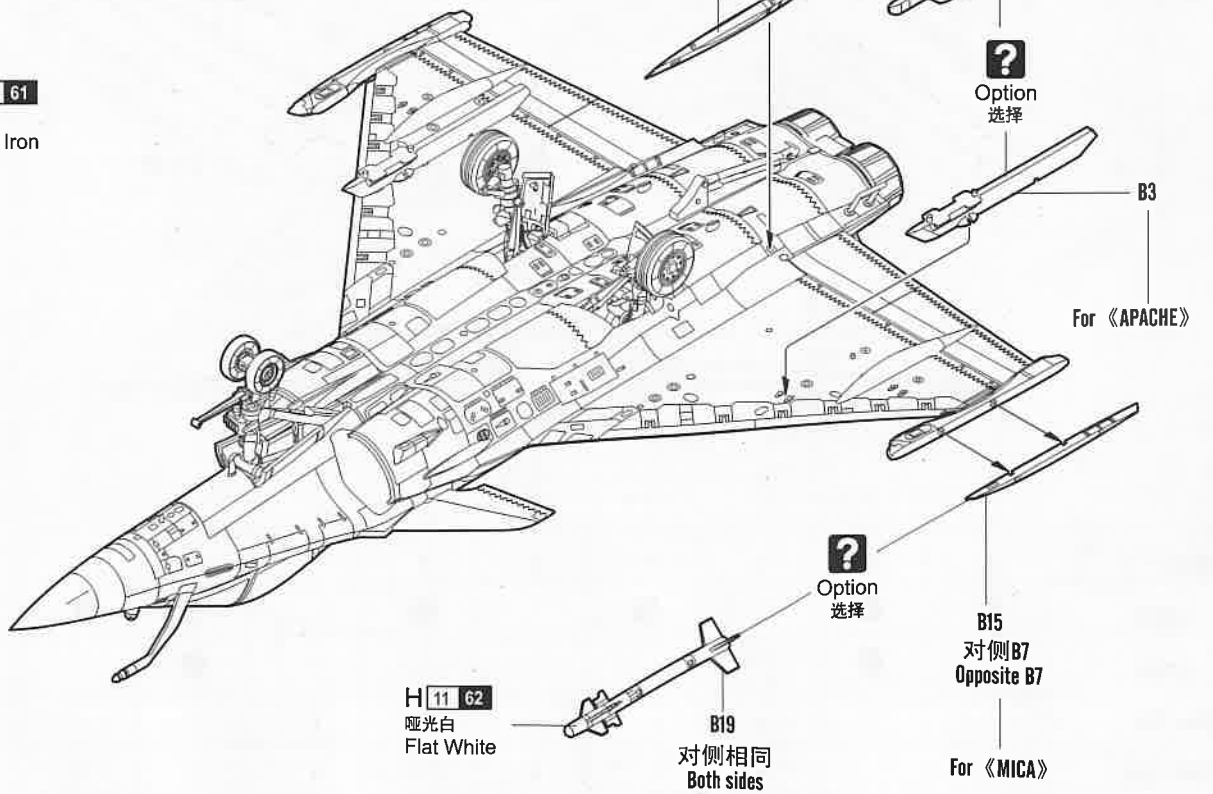
?

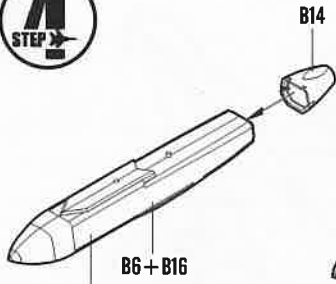
Option
选择

可选择打开状态
Select open or close



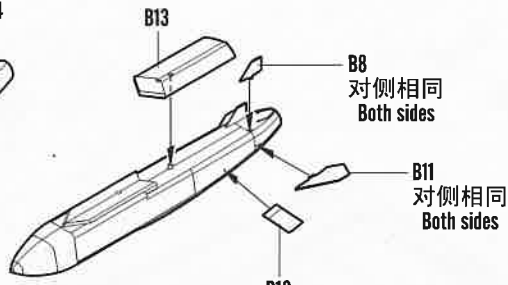
H 76 61
烧铁色
Burnt Iron





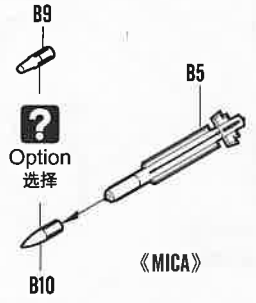
H 58 27
机体内部色
Interior Green

制作2组
Make two



《APACHE》

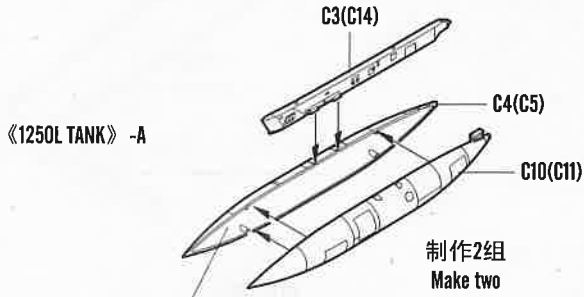
对侧相同
Both sides



Option
选择

《MICA》

制作4组
Make four

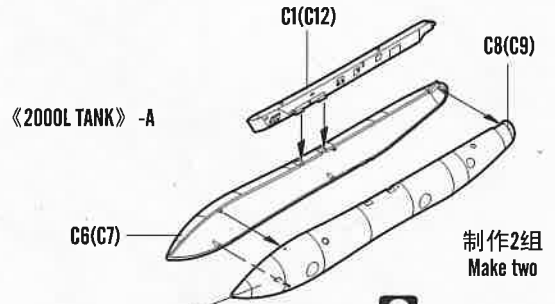


《1250L TANK》 -A

制作2组
Make two

H 58 27
机体内部色
Interior Green

Option
选择

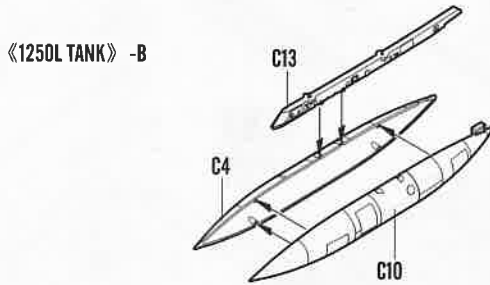


《2000L TANK》 -A

制作2组
Make two

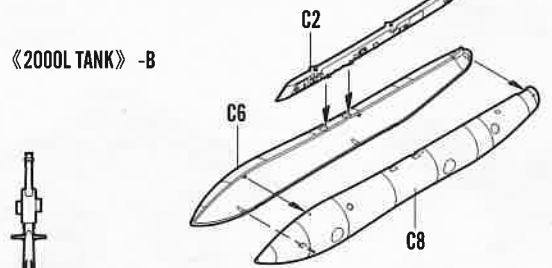
H 58 27
机体内部色
Interior Green

Option
选择



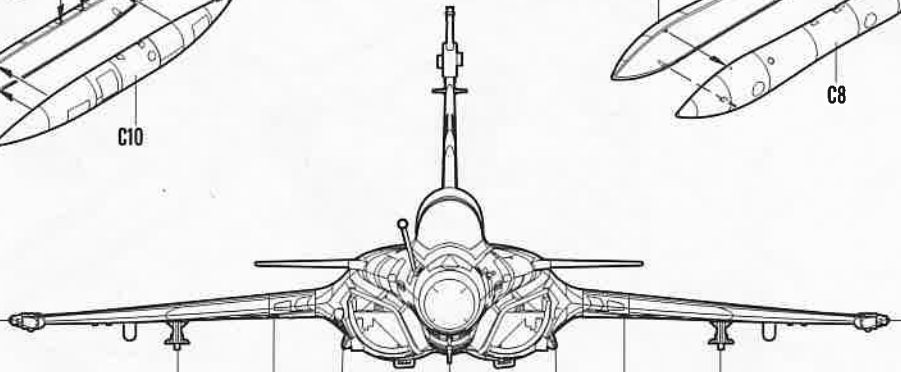
《1250L TANK》 -B

C10



《2000L TANK》 -B

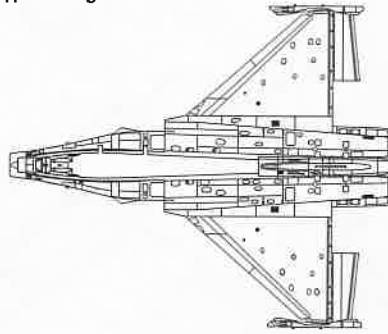
C8



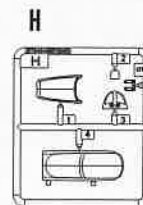
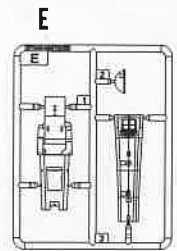
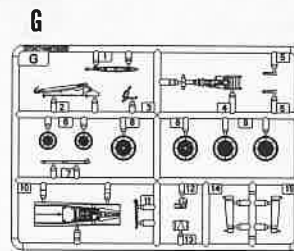
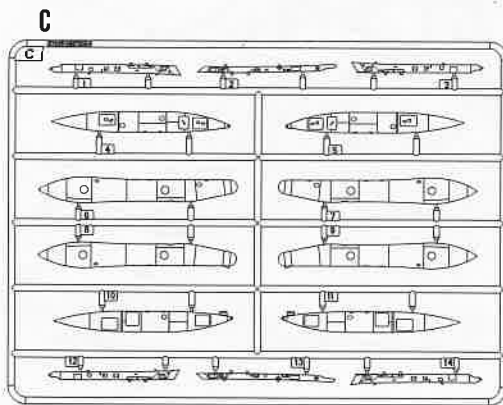
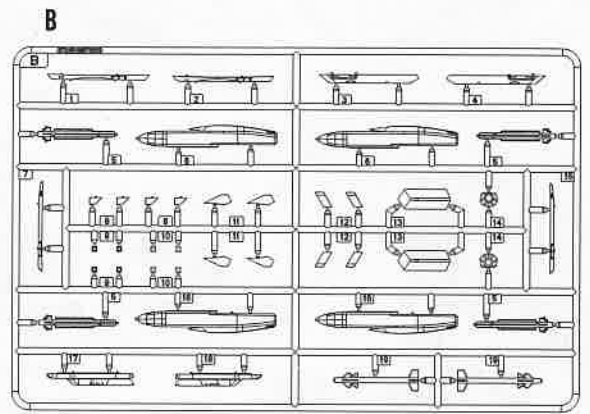
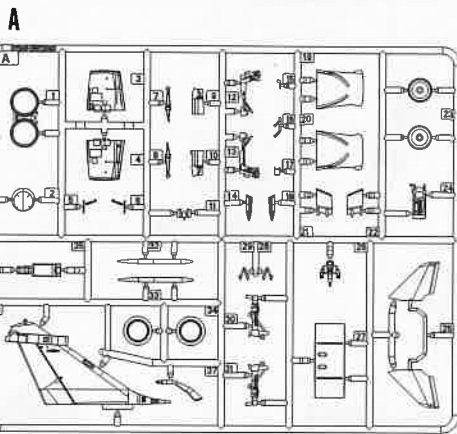
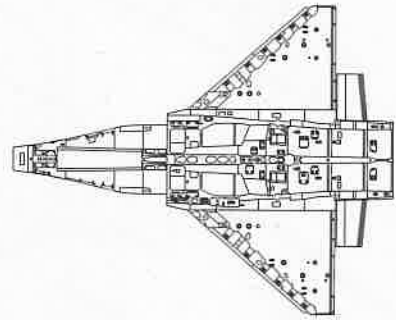
Name \ No	1	2	3	4	5	6	7	8	9
MICA	●	●		●		●		●	●
APACHE		●						●	
1250L TANK			A		B		A		
2000L TANK			A		B		A		

部品图 Parts

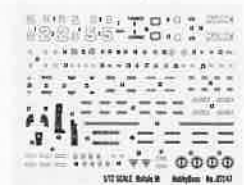
《上机身》
Upper fuselage



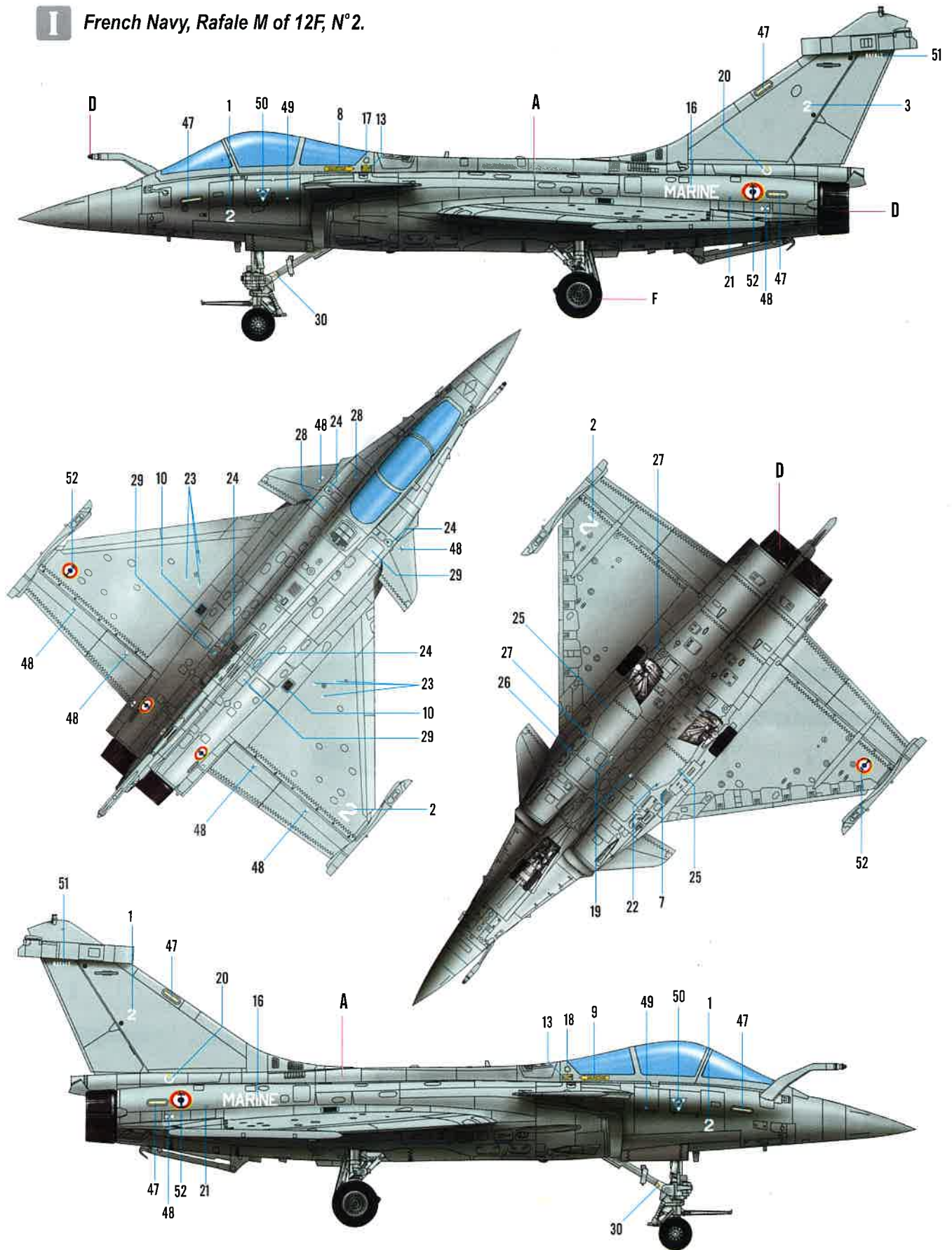
《下机身》
Lower fuselage



水贴纸
Decal



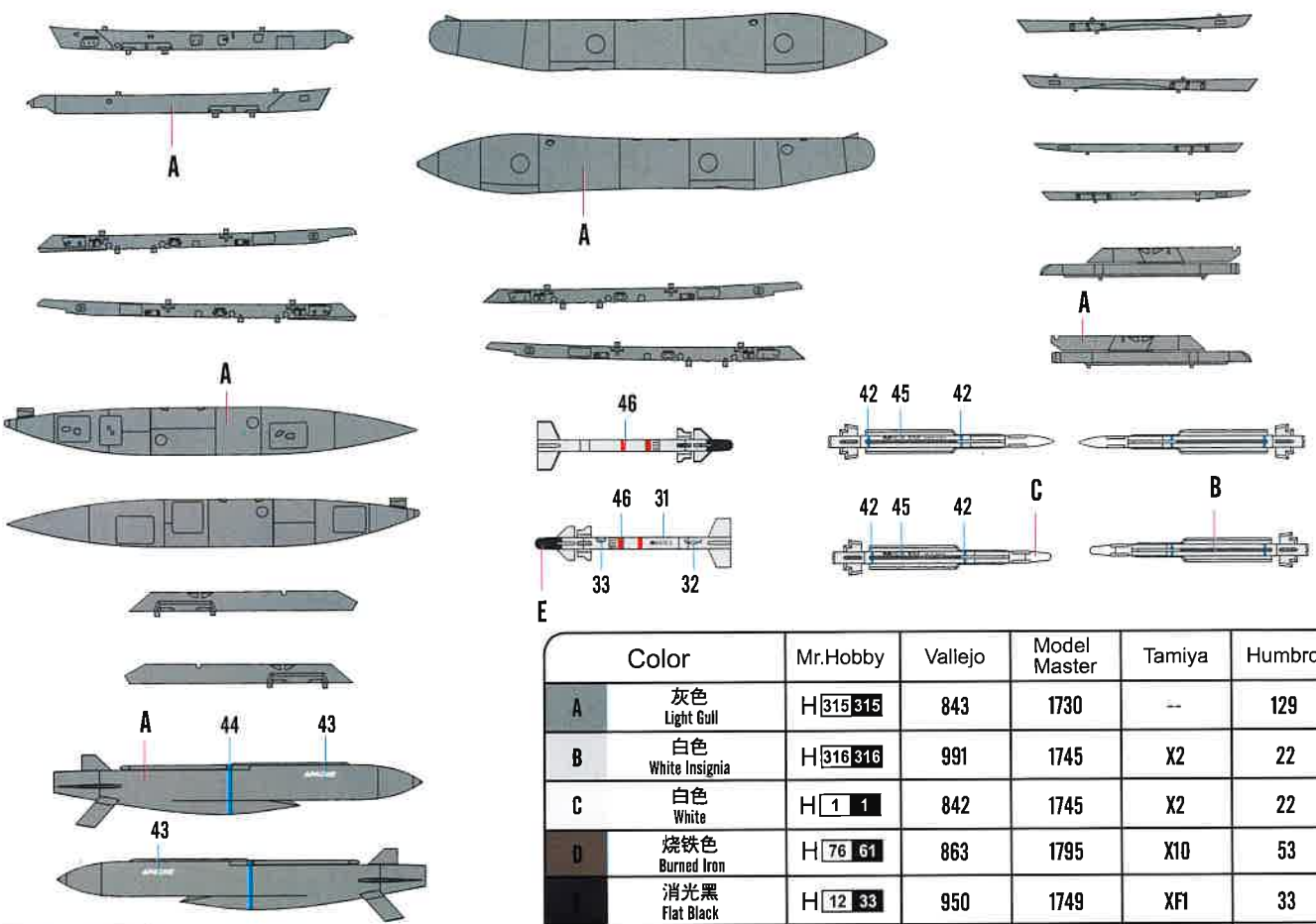
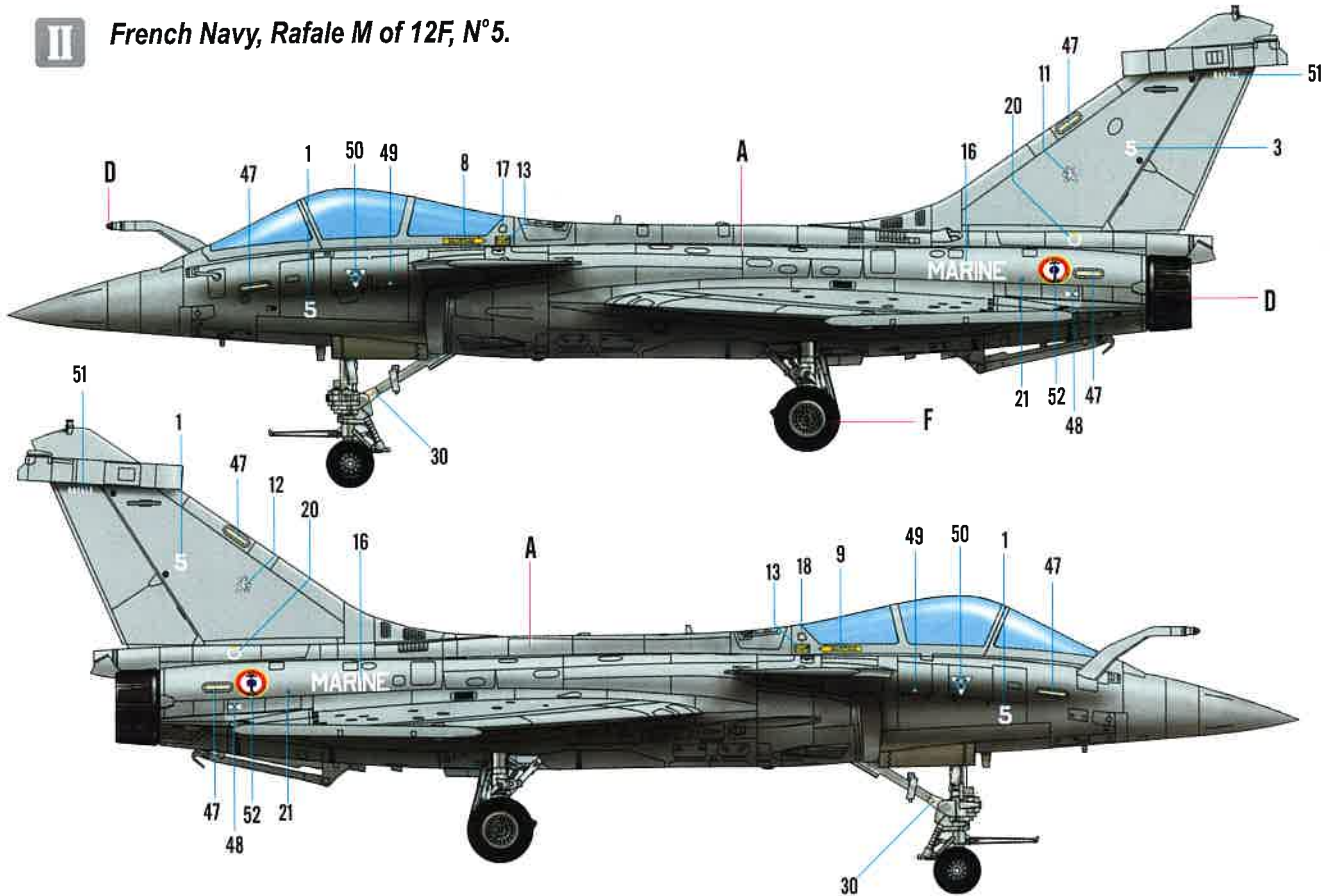
I French Navy, Rafale M of 12F, N°2.



NO..87247

※ Some paints may not be available in your country. Please check your local hobby shop for substitute

II French Navy, Rafale M of 12F, N°5.



	Color	Mr.Hobby	Vallejo	Model Master	Tamiya	Humbrol
A	灰色 Light Gull	H 315 315	843	1730	--	129
B	白色 White Insignia	H 316 316	991	1745	X2	22
C	白色 White	H 1 1	842	1745	X2	22
D	烧铁色 Burned Iron	H 76 61	863	1795	X10	53
	消光黑 Flat Black	H 12 33	950	1749	XF1	33
	胎黑色 Tyre Black	H 77 137	--	--	--	--

NO.:87247

Some paints may not be available in your country. Please check your local hobby shop for substitute