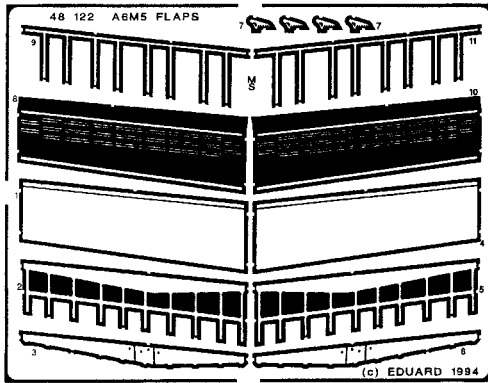








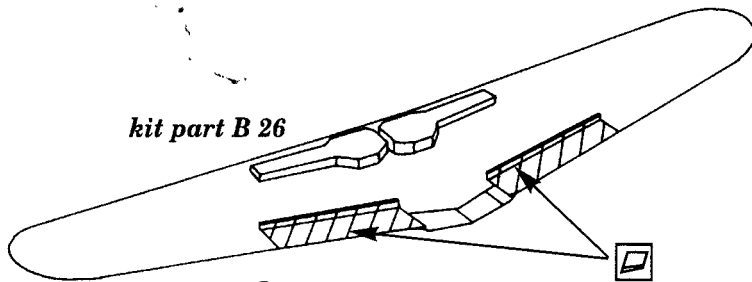
A6M5 LANDING FLAPS

48 122

1/48 scale detail set for TAMIYA kit



-  OPPOSITE SIDE
-  REMOVE
-  BEND
-  REPLACE



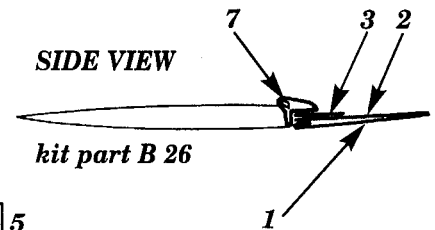
kit part B 26

STEP ONE

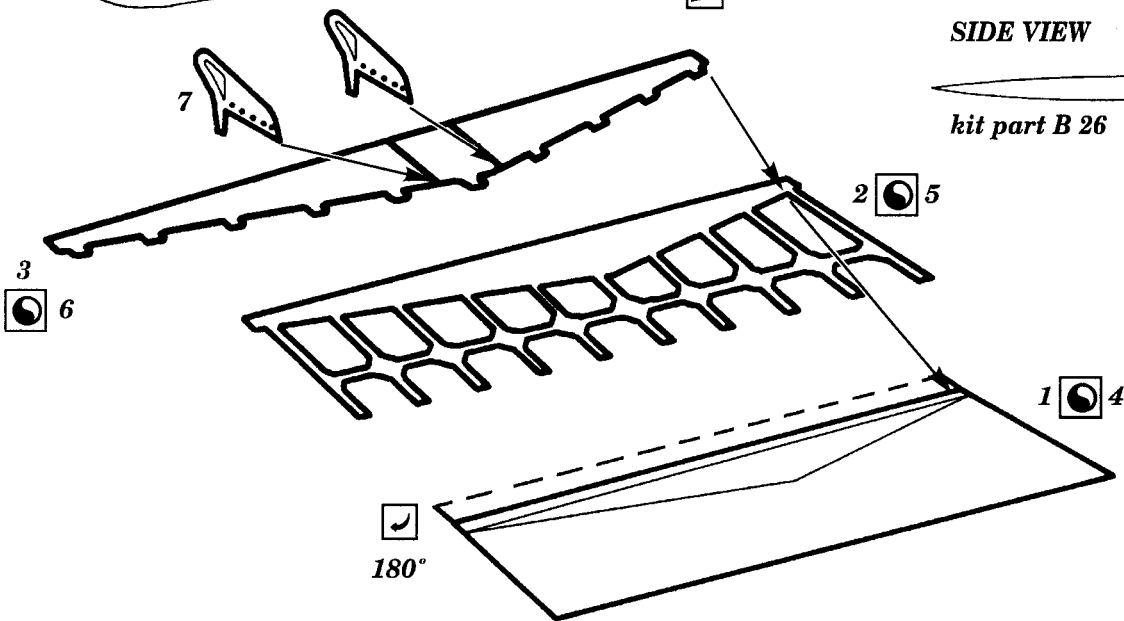


kit part B 26

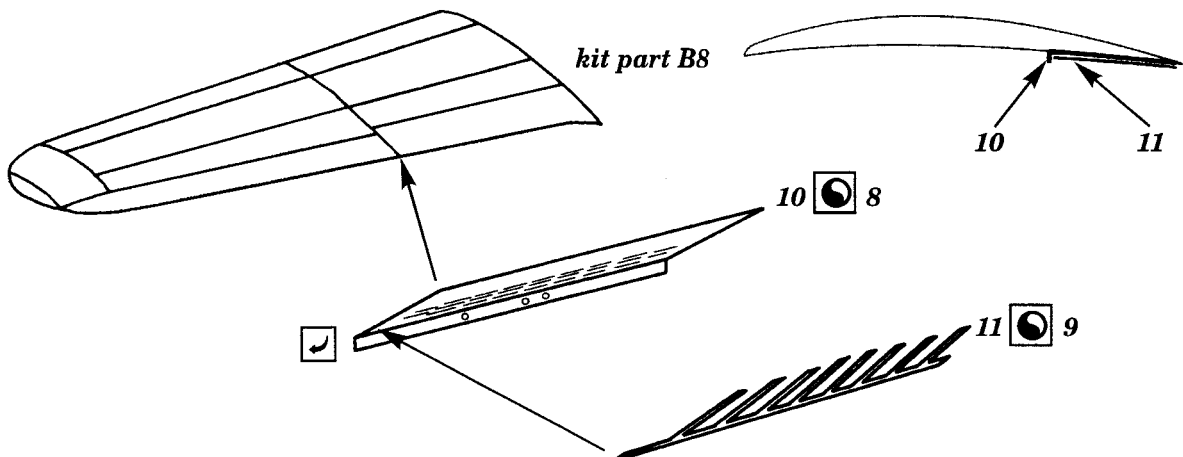
SIDE VIEW



kit part B 26



SIDE VIEW



kit part B 8

10

10

11

11