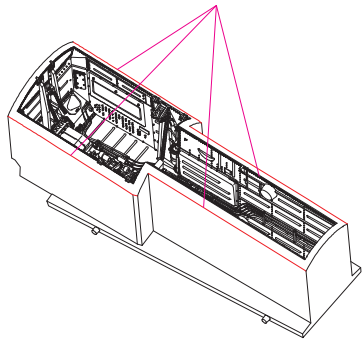
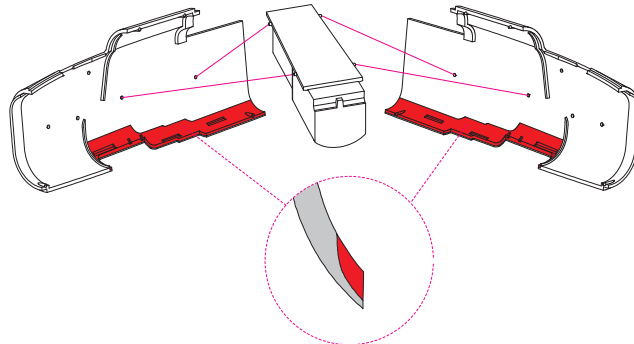


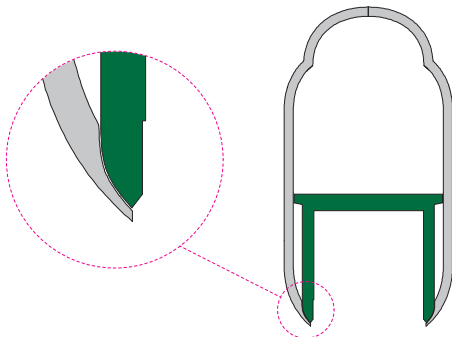
2 ROUND OFF THE RIBS OF THE CHASSIS RESIN NICHE



3 ICM KIT PART A11 & A12



REDUCE THE THICKNESS OF THE PLASTIC AS SHOWN IN THE EXAMPLE



● ICM KIT PART
● RESIN PART

