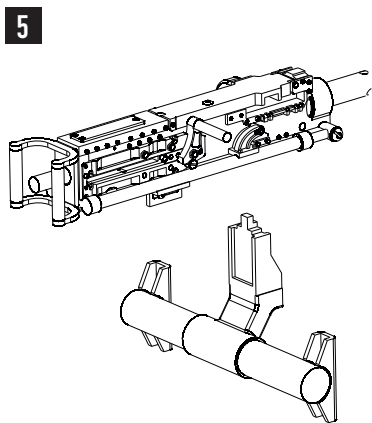
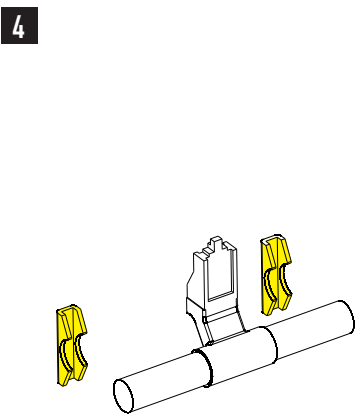
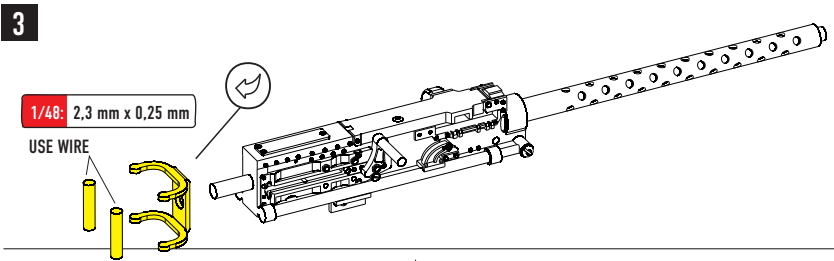
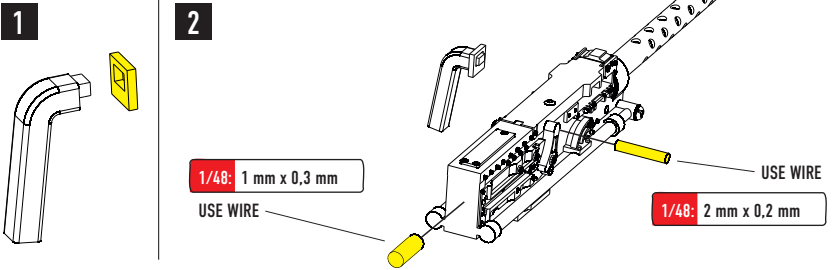


**WINDOW MACHINE GUN**

○ RESIN PARTS      ● PHOTO ETCHED PARTS



## WINDOW MACHINE GUN

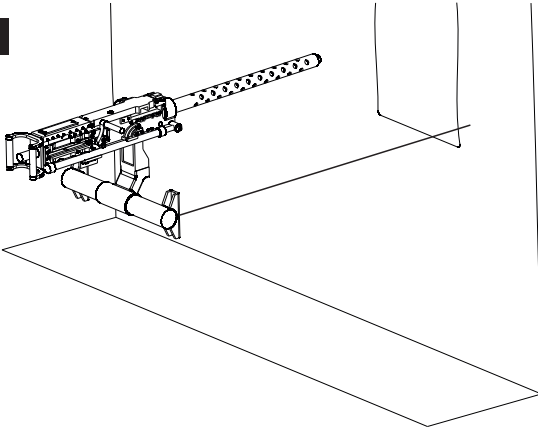


RESIN PARTS



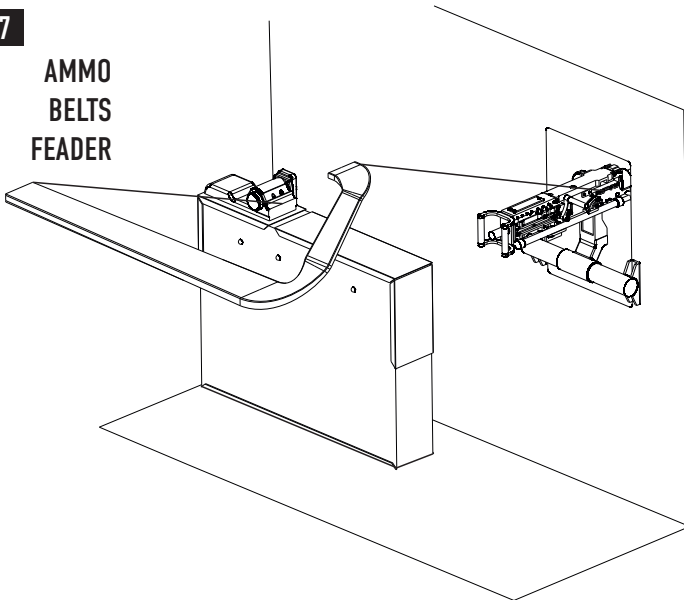
PHOTO ETCHED PARTS

6



7

AMMO  
BELTS  
FEADER



## BACK RAMP MACHINE GUN

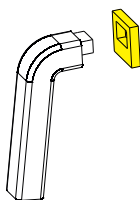


RESIN PARTS



PHOTO ETCHED PARTS

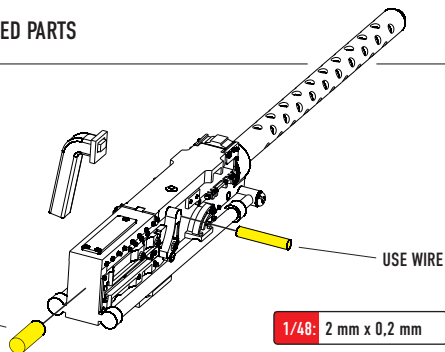
1



2

1/48: 1 mm x 0,3 mm

USE WIRE



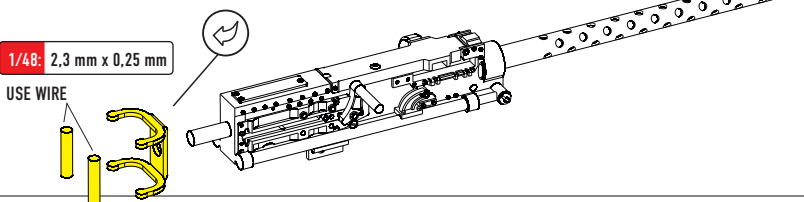
USE WIRE

1/48: 2 mm x 0,2 mm

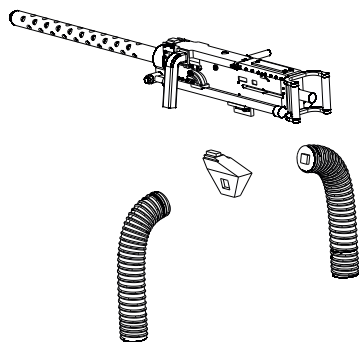
3

1/48: 2,3 mm x 0,25 mm

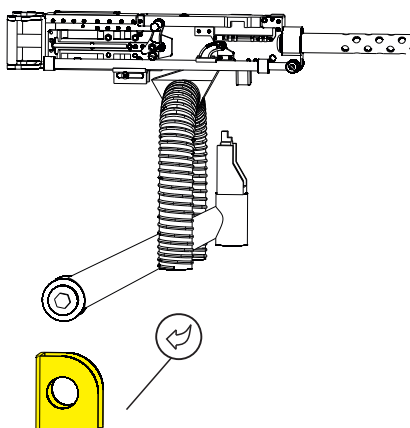
USE WIRE



4



5

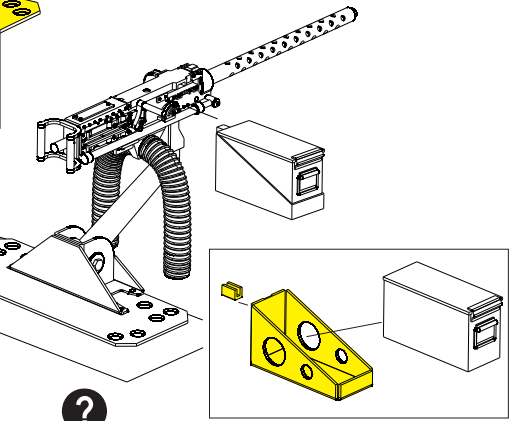
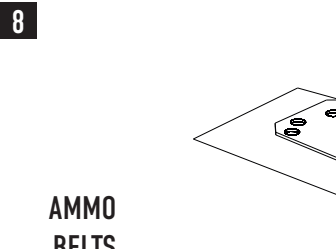
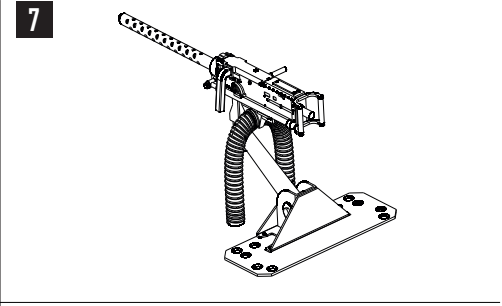
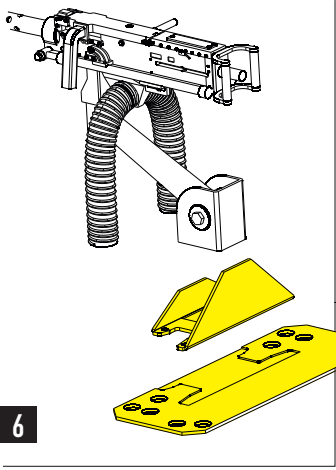


e-mail: [info@reskit.com.ua](mailto:info@reskit.com.ua)

[WWW.RESKIT.COM.UA](http://WWW.RESKIT.COM.UA)

**BACK RAMP MACHINE GUN**

○ RESIN PARTS    ● PHOTO ETCHED PARTS



**AMMO  
 BELTS  
 FEEDER**

