



# US B-24D Liberator

## B-24D リベレーター 美国B-24D“解放者”轰炸机

PLEASE READ BEFORE OPERATION  
\* Tools recommended as before. (Not included)  
Adhesives: Plastic, Solu Cutters, Sharp Edged Pliers, Modeling Knife, Modeling File, Higners, Dark Sealers, Sand Paper, Soft Clay, Cyanoacrylate Glue.

The kit contains the small parts, they can be damaged if handled by mistake, so keep them away from reach of children.  
\* Cut the all parts of carefully and remove the waste parts into the garbage can.  
\* Make caution and care should be needed for cutting and handling the photo-etched parts.  
\* During assembling, please tear up and throw away the plastic bags, or may cause the damage if wrong over head by children's mistake.  
\* When using the adhesives and paints, please do not use them in the closed room or near the fire, also must be very careful to protect your eyes face and clothes.  
\* Adult supervised when assembled by children under 14 years old.

说明书中含有重要信息，应保留。 Please Keep instruction since it contains important information.

装配前请仔细阅读： \* 推荐使用的工具(自备)： \* 专用模型油漆： \* 水口剪、长电剪、刀片、锥刀、橡皮、砂纸、薄快干胶等。  
\* 清水口剪刀片小心取下所有胶零件和金属零件，不要遗失小零件。  
\* 切割薄片时特别注意防止划伤手指。  
\* 注意某些零件表面在装配时同步涂上水贴。  
\* 制作时请正确区分零件并标注及时收装，谨防小漏胶装。  
\* 所有零件请在干燥环境下存放，切勿受潮。

The method to apply the decals  
1. Cut off the decal from the decal paper and put it into the warm water 40℃ for 10 seconds.  
2. Take the decal from the water and put it on a piece of clean cloth.  
3. Remove the decal slowly from the paper to the targeted location by a wet cloth.  
4. Use a piece of dry and soft cloth to press it gently on the decal until it getting dry and no bubble existing.  
水贴纸的使用方法：  
一 把相关的印花从水贴纸上取下，放入40℃左右的温水中浸泡10秒。  
二 取出后将印花放在干净的布上。  
三 拿干净湿布，将印花慢慢从印花纸移到适当的位置。  
四 用软干布轻压印花直至水干，气泡消失。

- |     |    |    |    |    |      |    |    |    |    |    |
|-----|----|----|----|----|------|----|----|----|----|----|
| 强力胶 | 配重 | 钻孔 | 切除 | 选择 | 不涂胶水 | 水贴 | 弯曲 | 填补 | 先装 | 锉平 |
|-----|----|----|----|----|------|----|----|----|----|----|

### 部品图

Parts diagrams 1 through 5 showing exploded views and sub-assemblies of the fuselage, wings, and landing gear.

不用零件: PE-47 PE-48 PE-49 PE-50 PE-51 PE-52 PE-53 PE-54 PE-55 PE-56 PE-57 PE-58 PE-59  
 Usual parts: 84 85 828 827 826 825 824 823 822 821 820 819 818 817 816 815 814 813 812 811 810 809 808 807 806 805 804 803 802 801 800 799 798 797 796 795 794 793 792 791 790 789 788 787 786 785 784 783 782 781 780 779 778 777 776 775 774 773 772 771 770 769 768 767 766 765 764 763 762 761 760 759 758 757 756 755 754 753 752 751 750 749 748 747 746 745 744 743 742 741 740 739 738 737 736 735 734 733 732 731 730 729 728 727 726 725 724 723 722 721 720 719 718 717 716 715 714 713 712 711 710 709 708 707 706 705 704 703 702 701 700 699 698 697 696 695 694 693 692 691 690 689 688 687 686 685 684 683 682 681 680 679 678 677 676 675 674 673 672 671 670 669 668 667 666 665 664 663 662 661 660 659 658 657 656 655 654 653 652 651 650 649 648 647 646 645 644 643 642 641 640 639 638 637 636 635 634 633 632 631 630 629 628 627 626 625 624 623 622 621 620 619 618 617 616 615 614 613 612 611 610 609 608 607 606 605 604 603 602 601 600 599 598 597 596 595 594 593 592 591 590 589 588 587 586 585 584 583 582 581 580 579 578 577 576 575 574 573 572 571 570 569 568 567 566 565 564 563 562 561 560 559 558 557 556 555 554 553 552 551 550

Parts diagrams 6 through 11 showing the assembly of the fuselage panels, including color-coding and specific assembly instructions.

Parts diagrams 12 through 15 showing the assembly of the cockpit area, including the pilot's seat and instrument panel.

Parts diagrams 16 through 18 showing the assembly of the fuselage floor and lower structure.

Parts diagrams 19 through 21 showing the assembly of the wing structure and internal bracing.

Parts diagrams 22 through 24 showing the assembly of the wing leading edge and ailerons.

Parts diagrams 25 through 27 showing the assembly of the tail section and vertical stabilizer.

Parts diagrams 28 through 30 showing the assembly of the landing gear and landing gear doors.

Parts diagrams 31 through 33 showing the assembly of the engine nacelles and propellers.

Parts diagrams 34 through 36 showing the assembly of the landing gear doors and their operation.

Parts diagrams 37 through 39 showing the assembly of the engine exhaust systems.

Parts diagrams 40 through 42 showing the assembly of the engine cowling and propeller hubs.

Parts diagrams 43 through 45 showing the assembly of the engine cowling and propeller hubs.

Parts diagrams 46 through 48 showing the assembly of the engine cowling and propeller hubs.

Parts diagrams 49 through 51 showing the assembly of the engine cowling and propeller hubs.

Parts diagrams 52 through 54 showing the assembly of the engine cowling and propeller hubs.

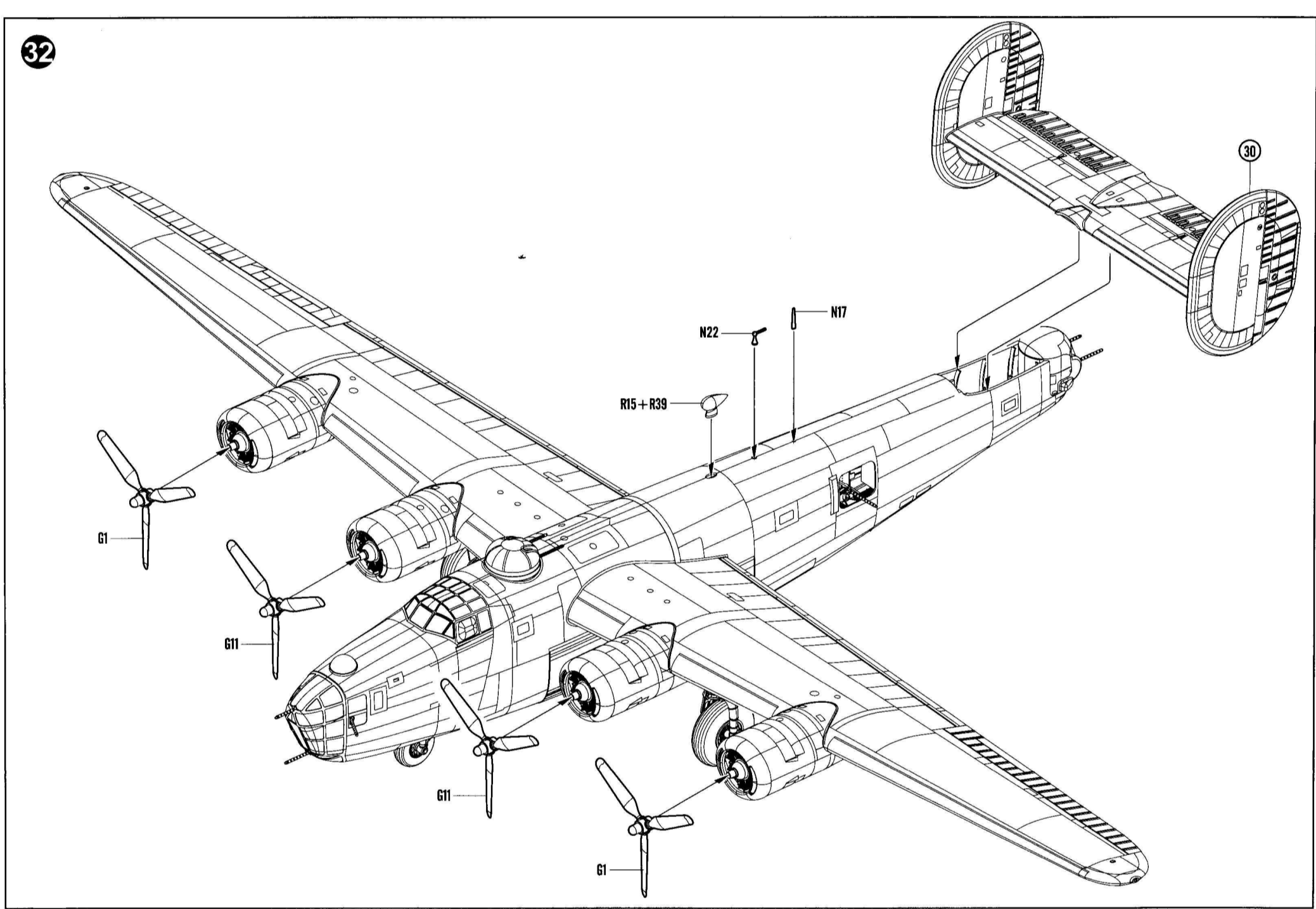
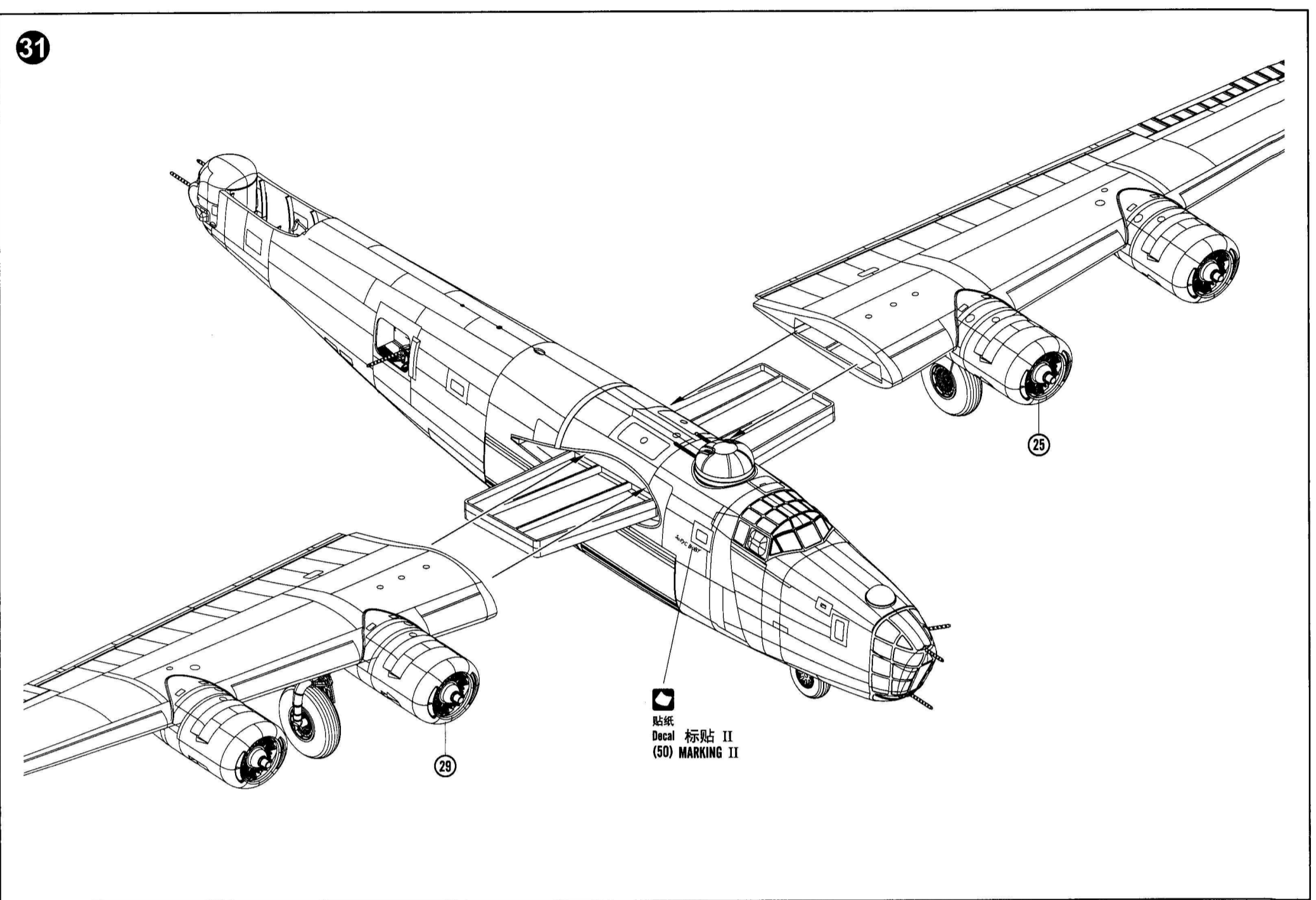
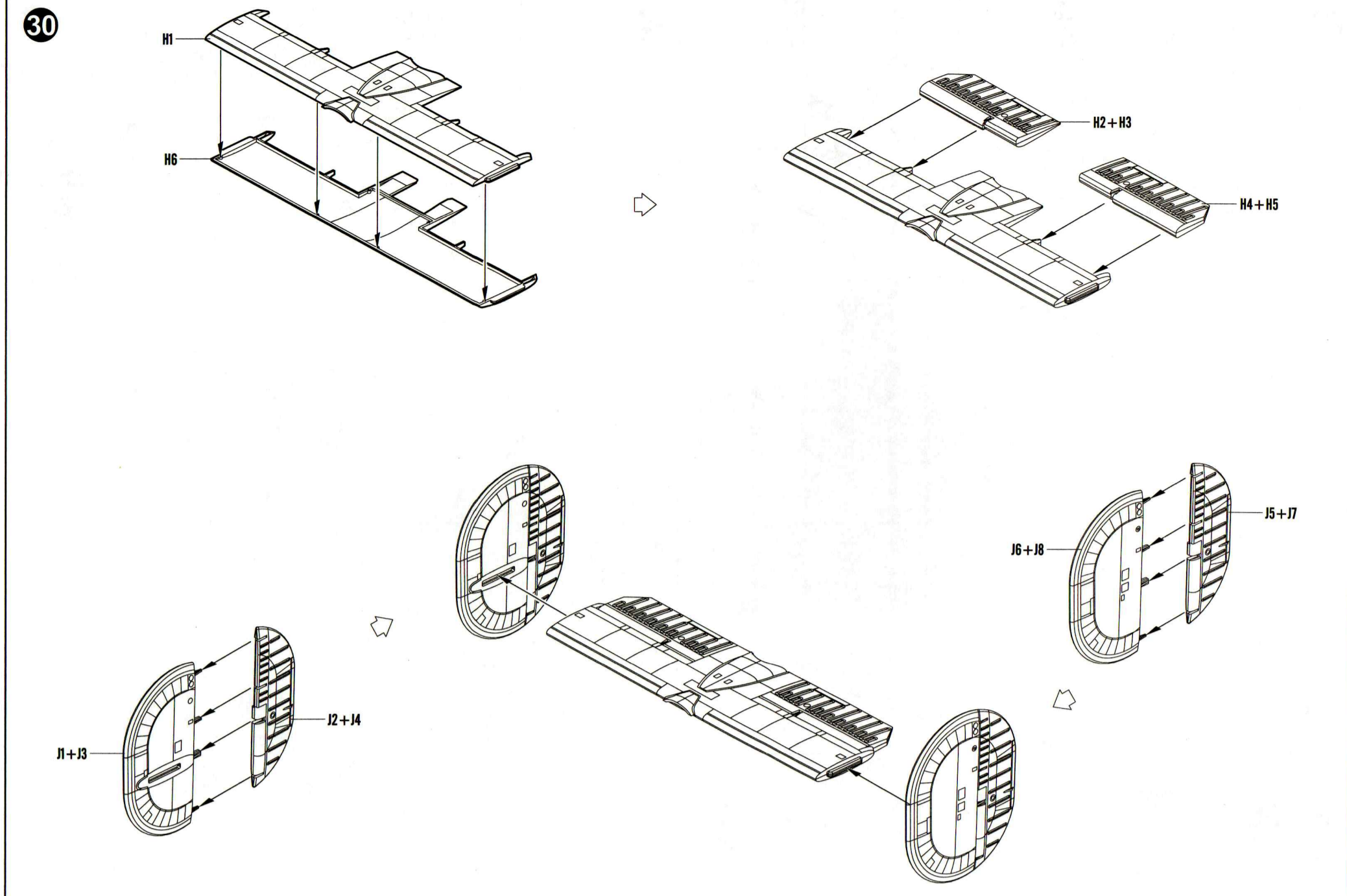
Parts diagrams 55 through 57 showing the assembly of the engine cowling and propeller hubs.

Parts diagrams 58 through 60 showing the assembly of the engine cowling and propeller hubs.

Parts diagrams 61 through 63 showing the assembly of the engine cowling and propeller hubs.

Parts diagrams 64 through 66 showing the final assembly of the engine cowling and propeller hubs.





**标贴与涂装**  
MARKING & PAINTING

**US B-24D Liberator**  
B-24D リベレーター 美国B-24D“解放者”轰炸机

HOBBY BOSS

MARKING I, II, III

Color	Mr.Hobby	Acrycion	Vallejo	Model Master	Tamiya	Humbrol	Color	Mr.Hobby	Acrycion	Vallejo	Model Master	Tamiya	Humbrol
A 胎黑色 Tire Black	H 77 137	N 77	--	--	XF85	--	F 灰色 Neutral Gray	H 53 13	N 53	992	--	--	5
B 黑铁色 Steel	H 18 28	N 18	864	1402	XF84	--	G 消光黑 Flat Black	H 12 33	N 12	950	1749	XF1	33
C 银色 Silver	H 8 8	N 8	997	1546	X11	11	H 机舱内部色 Interior Green	H 58 27	N 58	--	--	--	--
D 橄榄色 Olive Drab (1)	H 52 12	N 52	887	1711	XF62	155	I 烧铁色 Burnt Iron	H 76 61	N 76	863	1795	X10	53
E 黄色 Orange Yellow	H 829 329	N 829	--	1514	X8	188	J 沙褐色 Sandy Brown	H 19	N	--	--	--	--

NO.:81775

ACRYCIOUS HOBBY COLOR ■ Mr. COLOR ■ ACRYCIOUS COLOR

※Some paints may not be available in your country. Please check your local hobby shop for substitute