

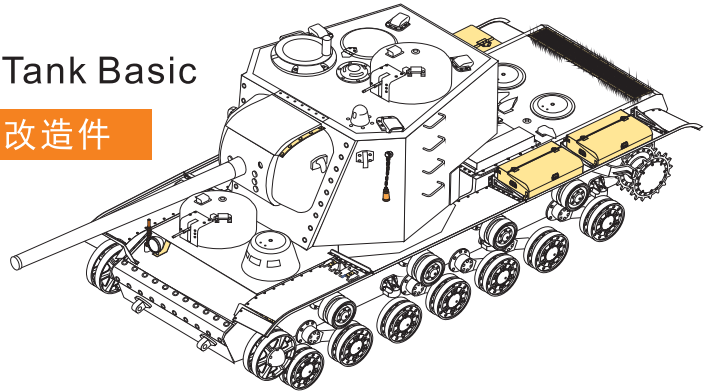
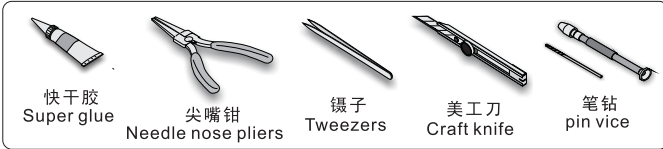
1/35 MILITARY MINIATURE VEHICLE UPGRADE SERIES PE35705

Russian KV-5 (Object 225) Heavy Tank Basic

二战苏联 KV-5 225工程重型坦克基本改造件

[For TAKOM 2006]

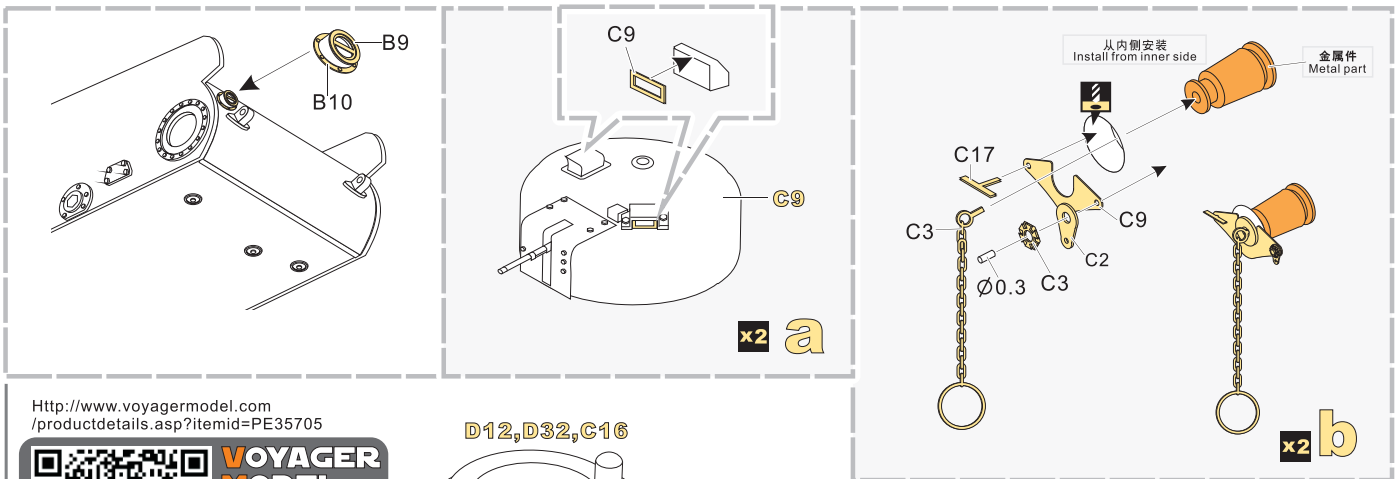
■ 推荐使用工具 RECOMMENDED TOOLS



- 安装
install
- 折叠
bend
- A1**
改造件零件编号
PE/resin part number
- B12**
原零件编号
kit part number
- C22**
被替换的原零件编号
replaced kit part number
- 另一侧相同制作
repeat on opposite side
- 切除
remove
- 打磨
grind off
- 弧度卷曲
radial bending
- x2**
制作若干组
multiple assembly
- 选择安装
alternative
- 钻孔
drill
- 用胶棒制作
make from plastic rod

用尖端在凹槽处冲压
use penpoint to press on the dent

蚀刻片零件内侧面向上
Put the part upside down
用笔尖在凹槽处刺
Use penpoint to press on the dent



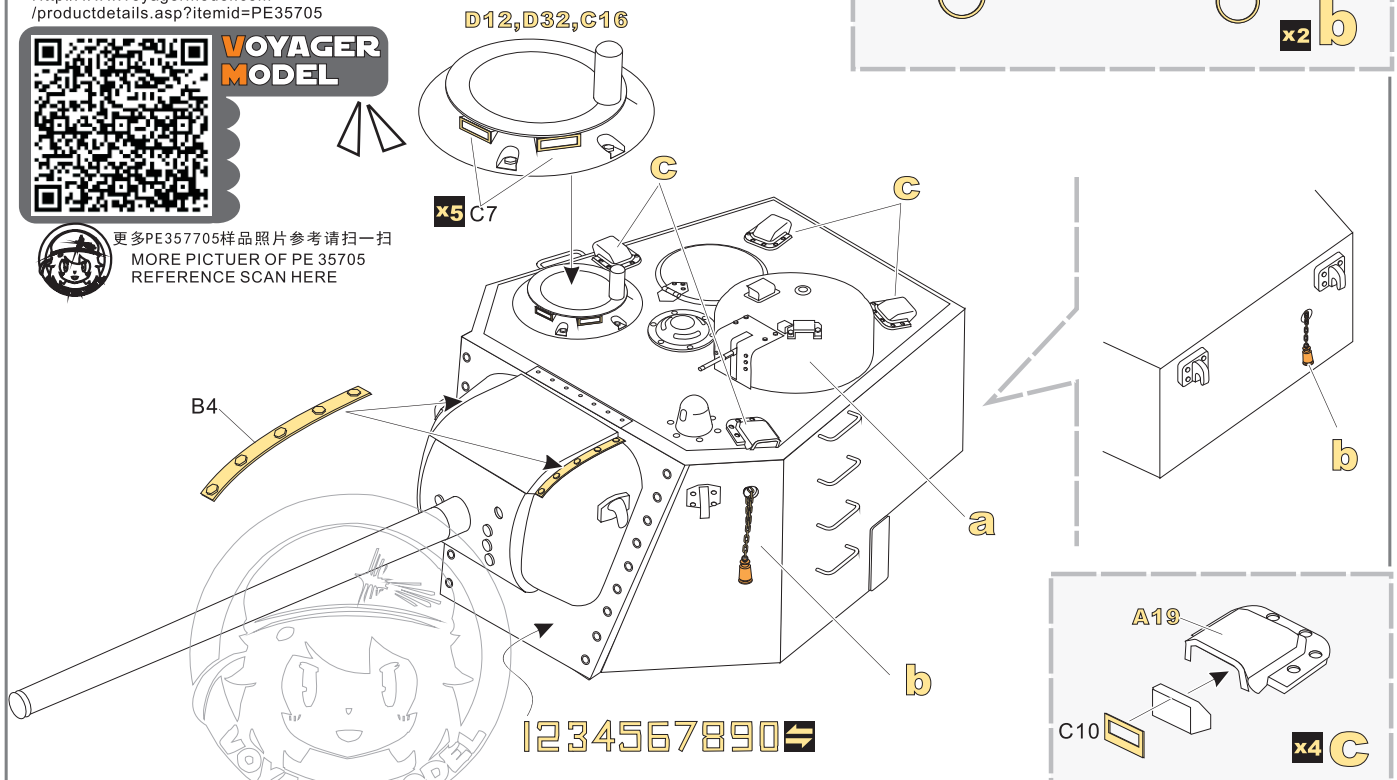
[Http://www.voyagermodel.com/productdetails.asp?itemid=PE35705](http://www.voyagermodel.com/productdetails.asp?itemid=PE35705)



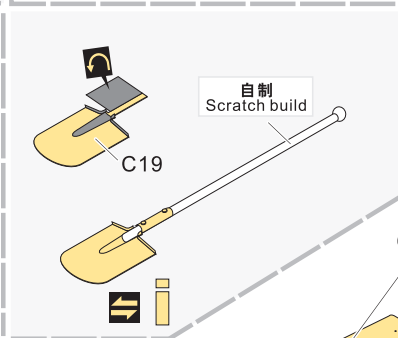
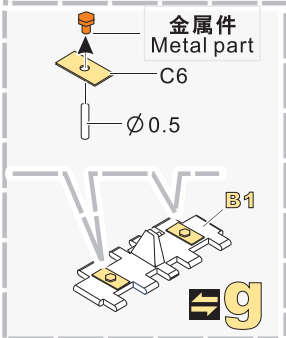
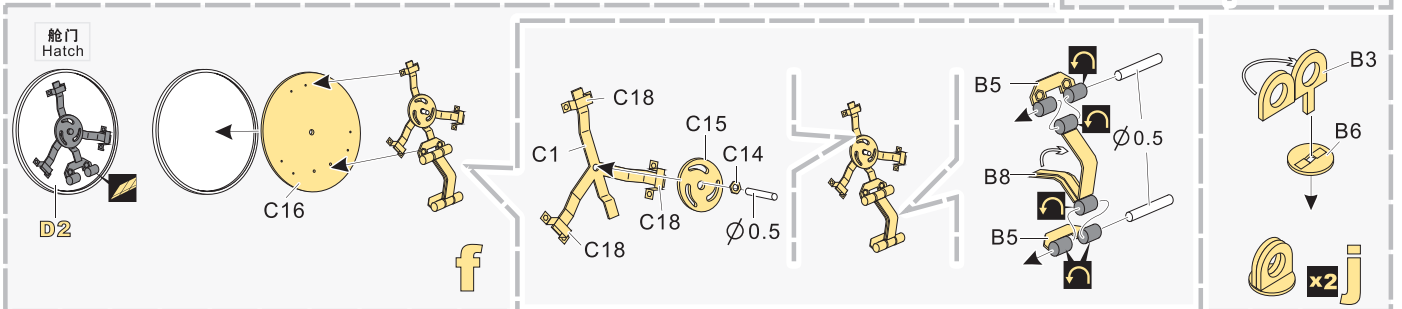
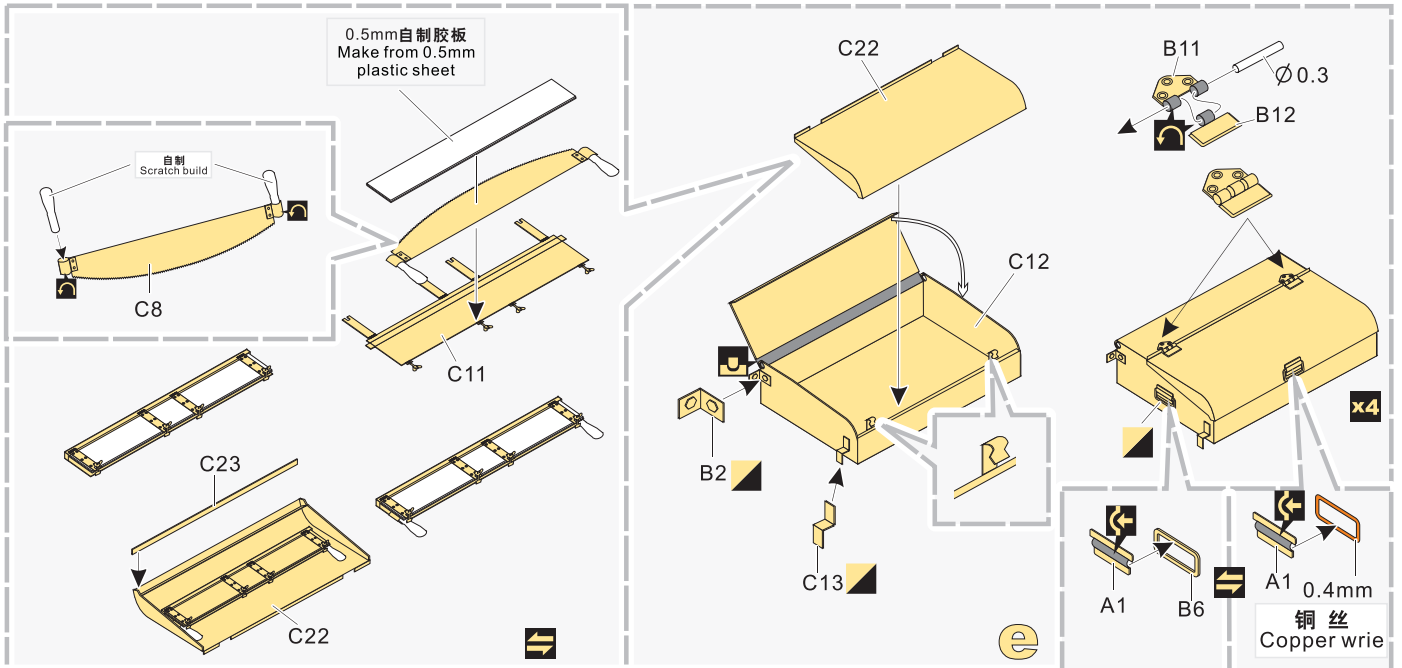
VOYAGER MODEL



更多PE357705样品照片参考请扫一扫
MORE PICTUER OF PE 35705
REFERENCE SCAN HERE



1/35 MILITARY MINIATURE VEHICLE UPGRADE SERIES PE35705



VOYAGERMODEL 无微不至 精益求精

The Best Upgrade Solution

Recommended item

PE 35640	Modern Russian KV-5 (Object 279) Heavy Tank
PE 35706	Russian KV-5 (Object 225) Heavy Tank Fenders
PE 35704	Russian Object 704 Heavy Tank
PE 35707	Russian JS-4 (Object 245) Heavy Tank Basic

