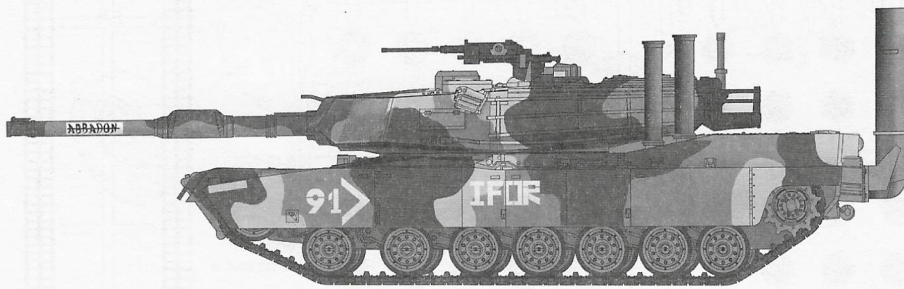


1:72 SCALE

ITEM NO.: 07276

# M1A1 Abrams MBT 美国M1A1 艾布拉姆斯主战坦克



### READ BEFORE ASSEMBLY:

### 装配之前仔细阅读

- Study and understand these instructions thoroughly before beginning assembly
- When needed, remove photo-etch parts carefully using a modeling knife or photo etch sprue cutter, being careful not to damage or lose small parts.
- Take extra care in handling photo etch parts in order to avoid injury
- Apply instant cement sparingly to photo etch parts where instructed
- Tools recommended(not included in kit):Plastic and instant cements,sprue cutters,long nose pliers.,modeling knife, small files, tweezers, pin vise & scissors. Soft cloth and sandpaper will also assist in construction
- Glue and paint are not included in the kit. Use plastic cement and hobby paints only. Color guide for purchasing paint is included in the kit.
- 小心用模型锉刀锉平所有零件表面的注射浇口。
- 小心用刀片切下蚀刻片零件，不要遗失小零件。
- 用强力快干胶水粘合蚀刻片零件和金属轴。过量的快干胶水使用可能导致可动零件会粘住，小心涂胶。
- 取蚀刻片时应特别注意安全，防止利边划伤手指。
- 某些零件表面需贴水上贴纸，请选择在装配的同时进行。
- 推荐模型工具(自备)：胶水，水口剪刀，长咀钳，刀片，锉刀，镊子，钳，钻，剪刀，瞬间快干胶。
- 软布同砂纸同时也应该是必备工具。
- 请使用塑料胶水和油漆，模型内不含。



cyanoacrylate glue  
使用强力胶



weight  
配重



make hole  
钻孔



cut / remove  
切除



bend  
弯曲



file / sand  
锉平



optional  
选择



no cement  
不涂胶水



decal  
贴纸

### 水贴纸的使用:

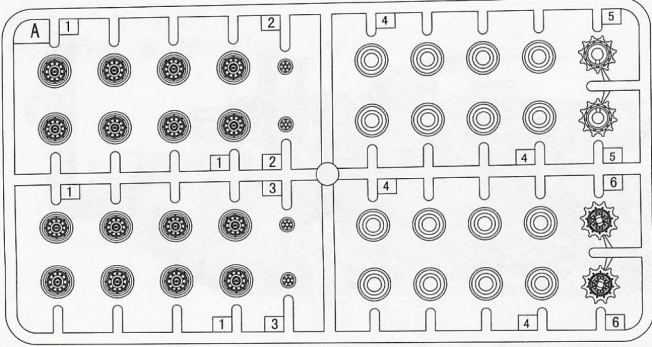
1. 从水贴上剪下印花;
2. 将印花放入温水中浸10秒, 然后放在干净布上。
3. 拿着印花纸板将印花移到模型上;
4. 手指蘸水将印花移到适当的位置;
5. 用软布轻压印花直至水干, 气泡消失。

### DECAL APPLICATION

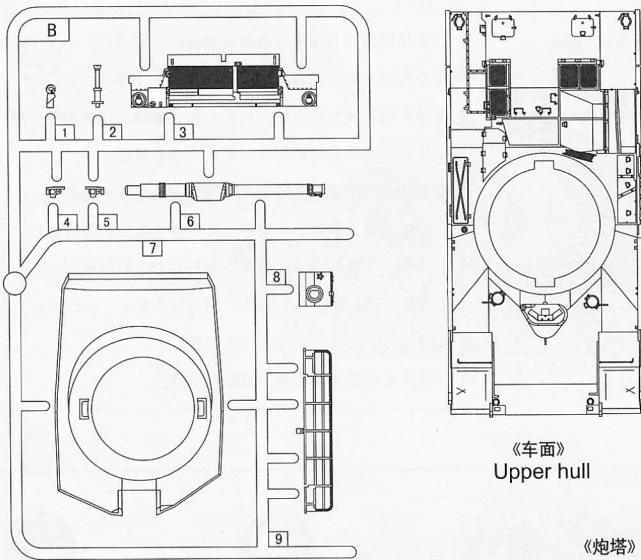
1. Cut off decal from sheet.
2. Dip the decal in tepid water 40°C for about 10 sec. and place on a clean cloth.
3. Hold the backing sheet edge and slide decal onto the model.
4. Move decal into position by wetting decal with finger.
5. Press decal gently down with a soft cloth until excess water and air bubbles are gone.
6. Allow decal to dry completely before handling model.

部品图  
Parts

A

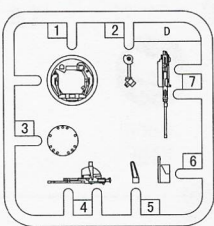


B

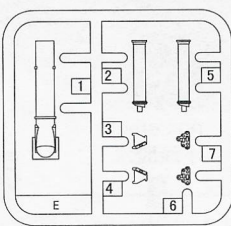


《车面》  
Upper hull

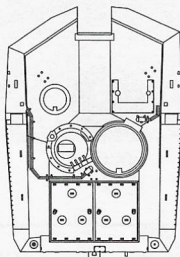
D



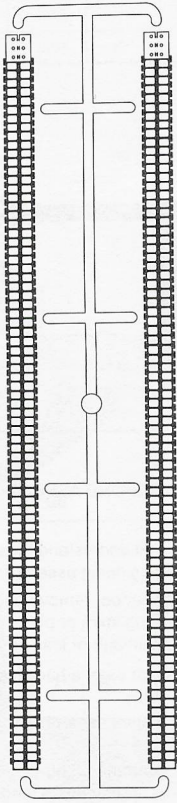
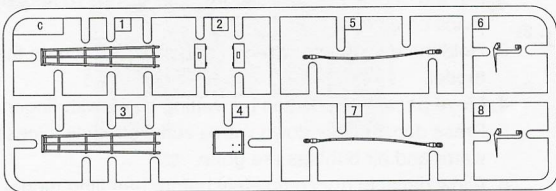
E



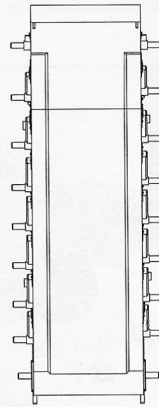
《炮塔》  
Turret



C



《履带》  
Track

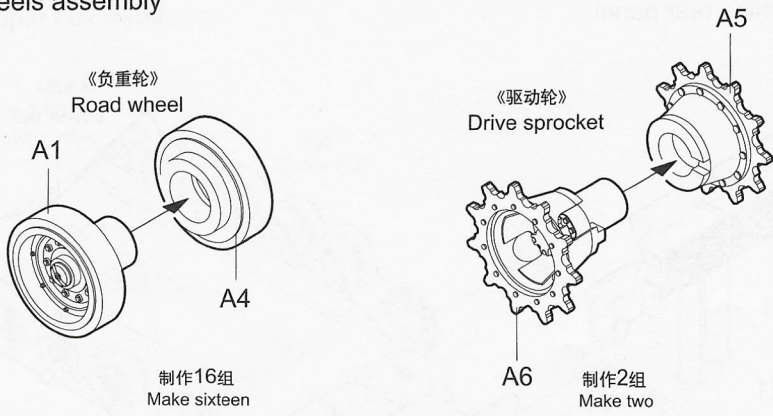


《车底》  
Lower hull

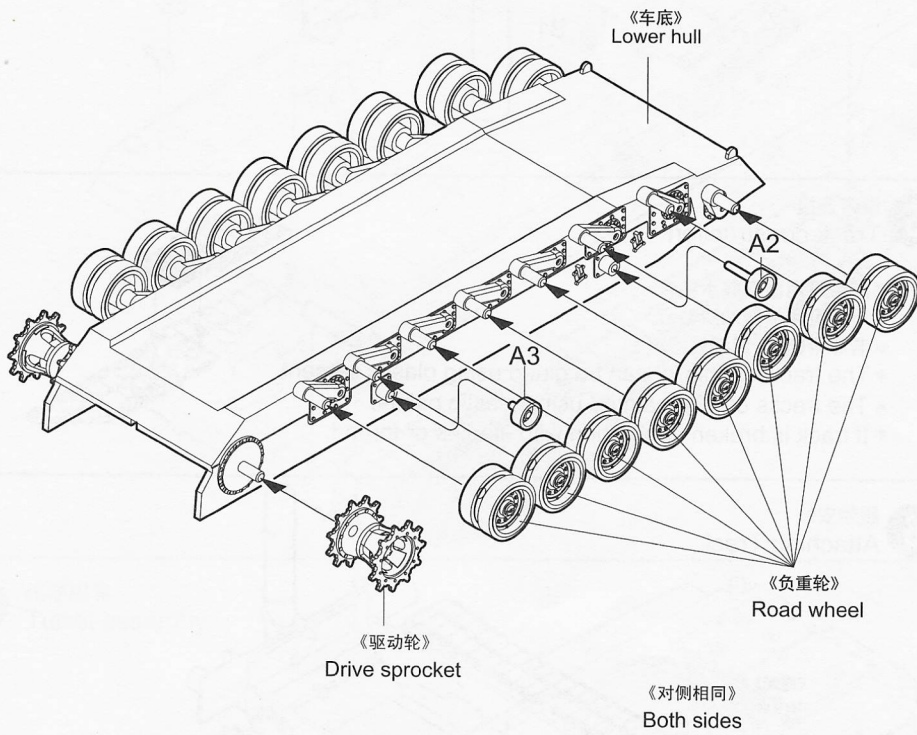


《水贴纸》  
Decal

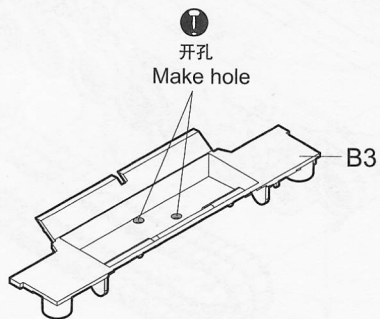
**1** 车轮组装  
Wheels assembly



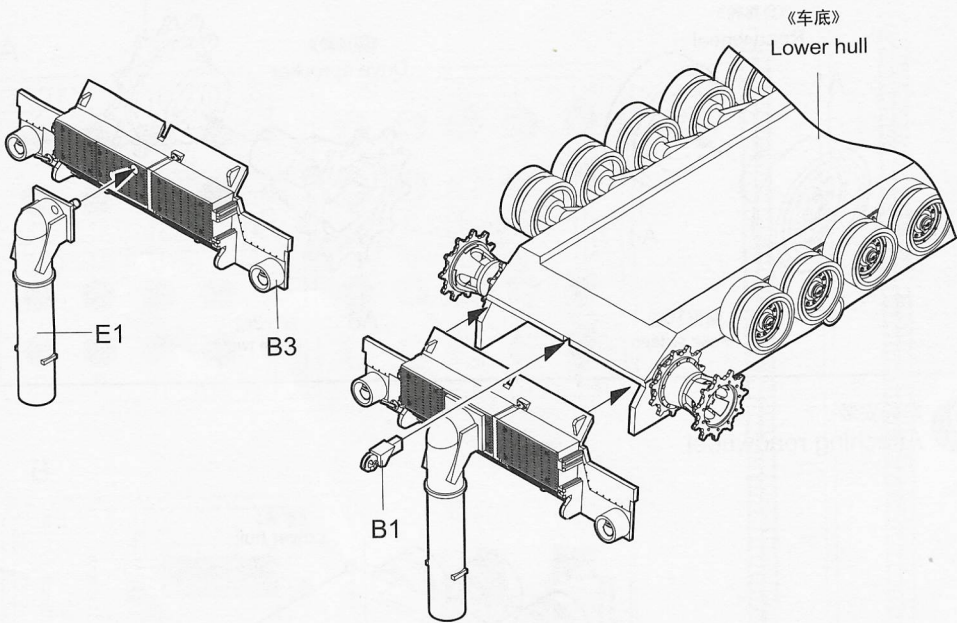
**2** 车轮安装  
Attaching roadwheel



**3** 后板开孔  
Make hole rear panel

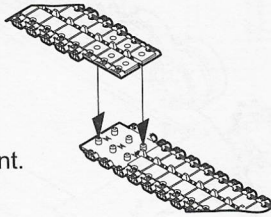


**4** 后板安装  
Attaching rear panel

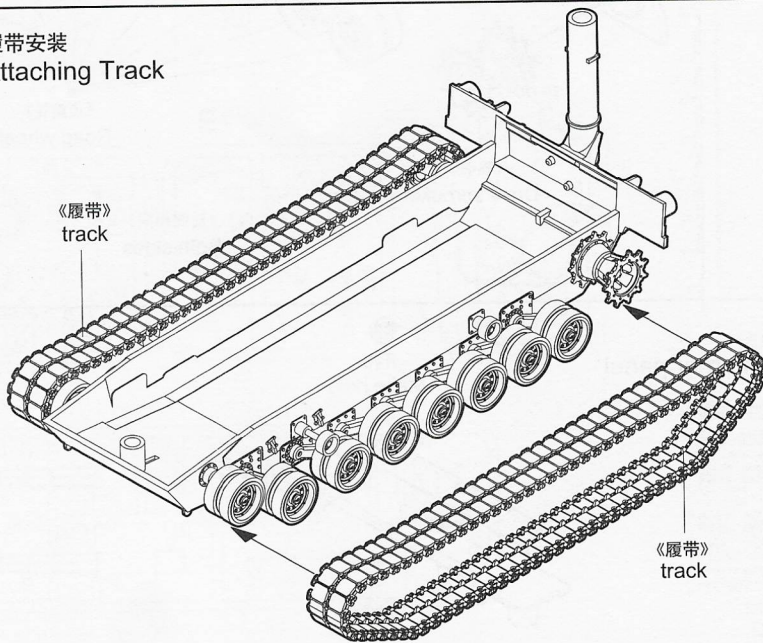


**5** 履带连接  
Track construction

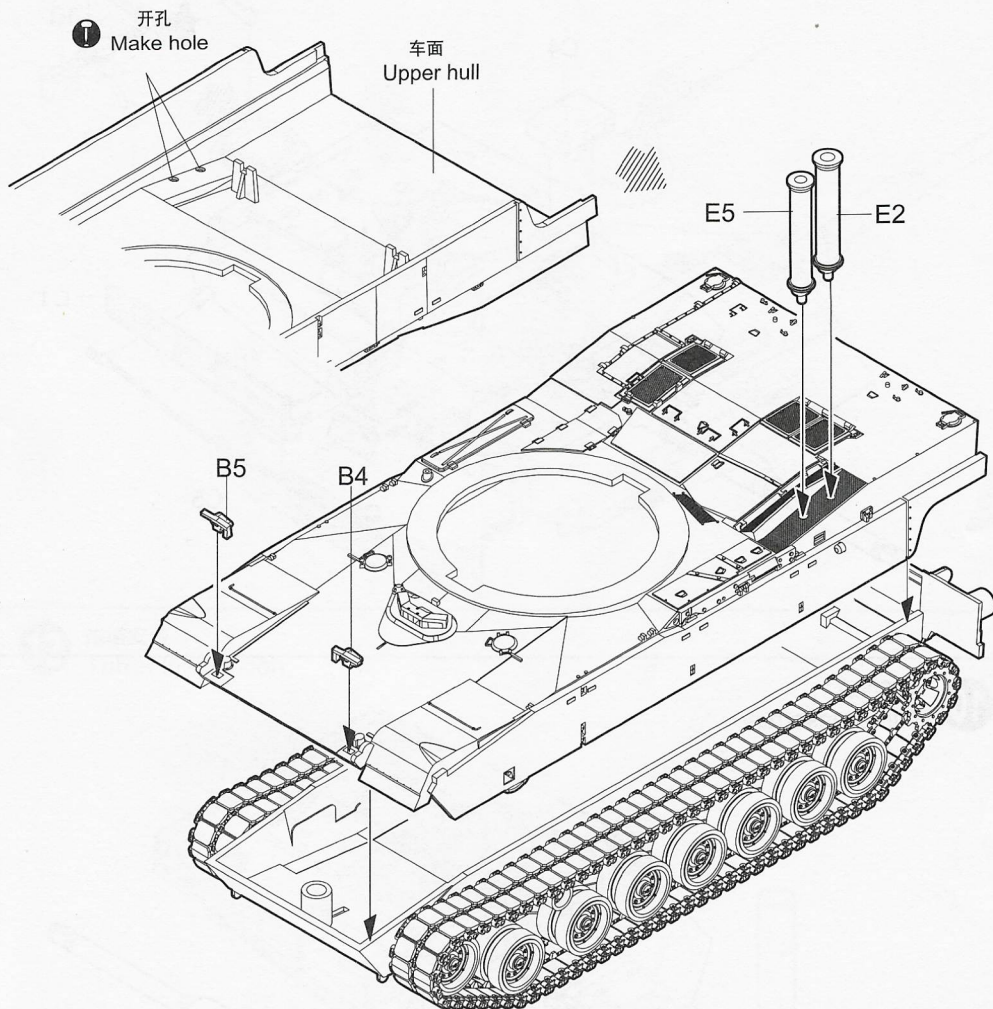
- \* 履带可用塑料胶水粘合
- \* 履带可用模型油漆粘合
- \* 若履带断裂,用细线固定
- \* The tracks in this kit can be glued using plastic cement.
- \* The tracks can be painted using plastic paints.
- \* If track is broken strengthen with staples or thread.



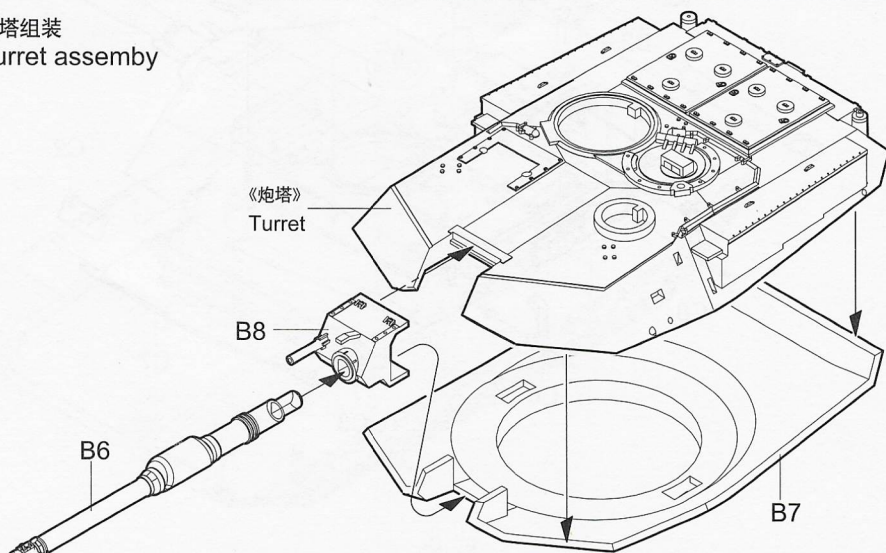
**6** 履带安装  
Attaching Track



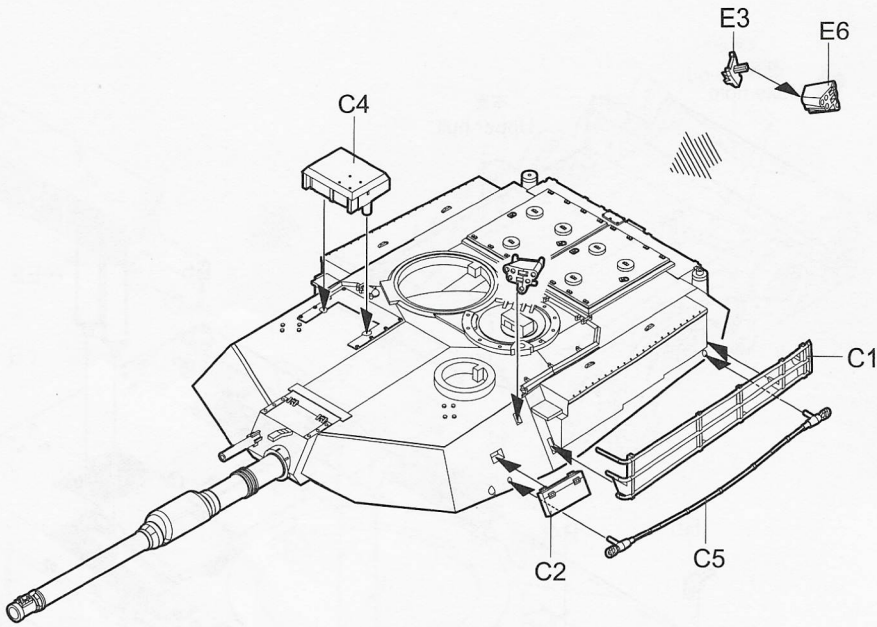
**7** 车面安装  
Upper hull installation



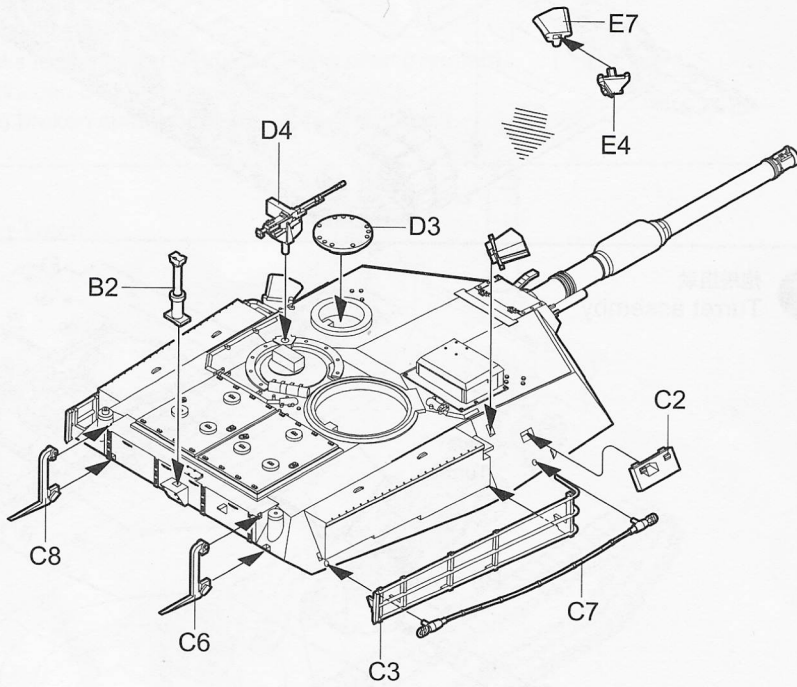
**8** 炮塔组装  
Turret assembly



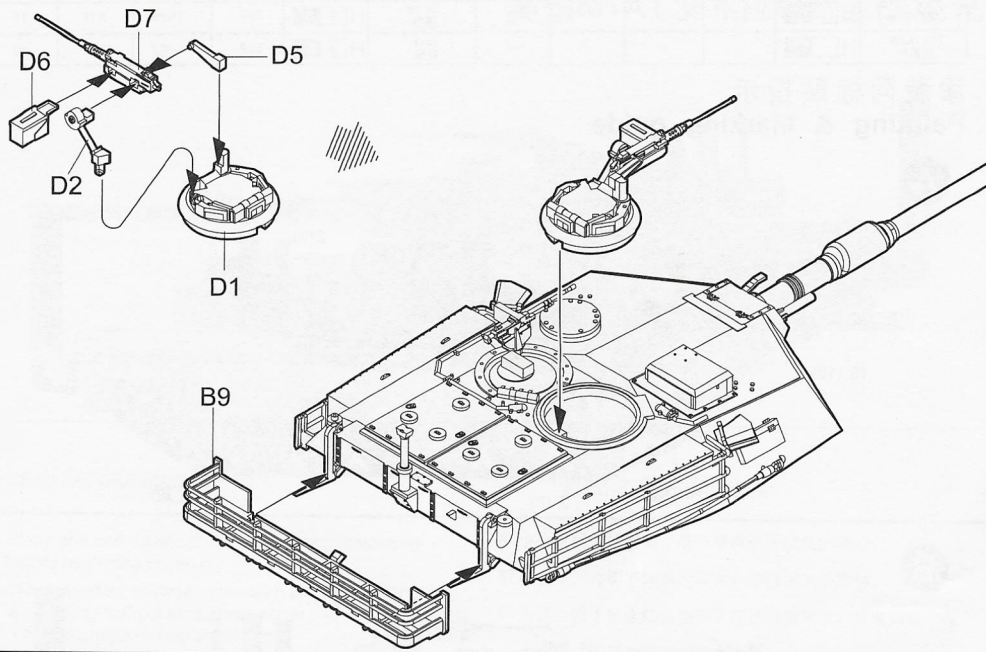
**9** 炮塔组装  
Turret assembly



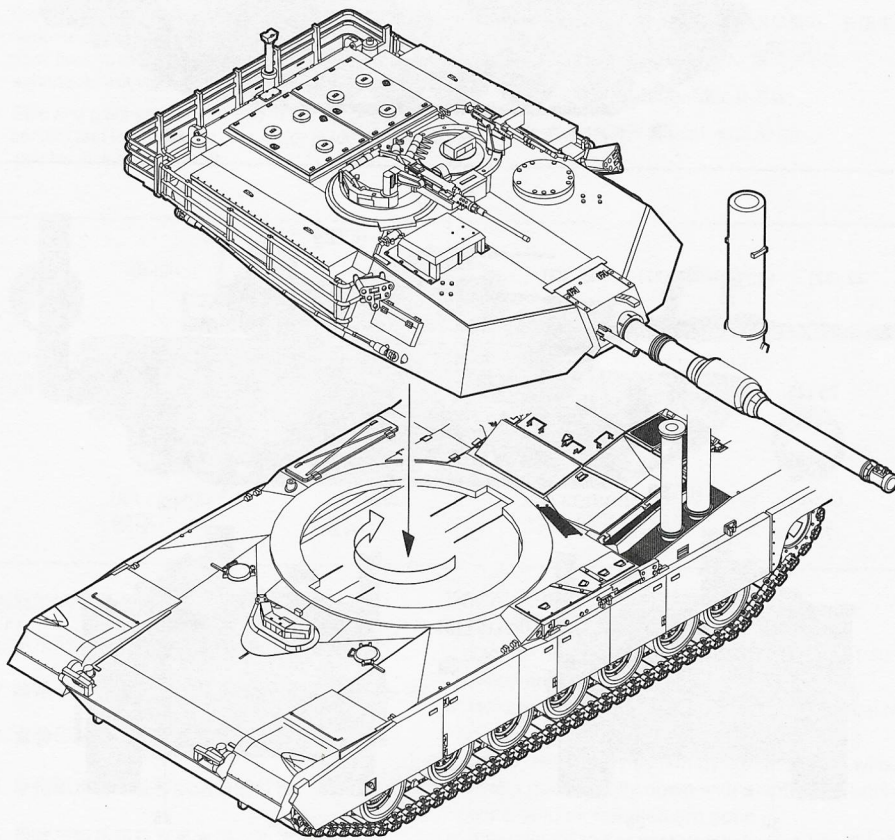
**10** 炮塔组装  
Turret assembly



**11** 炮塔组装  
Turret assembly



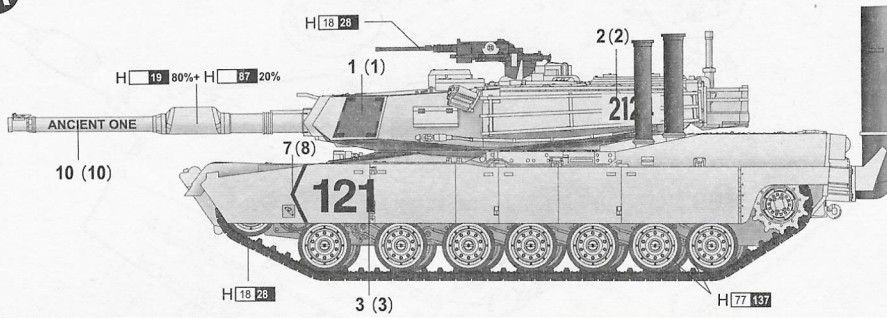
**12** 炮塔安装  
Turret installation



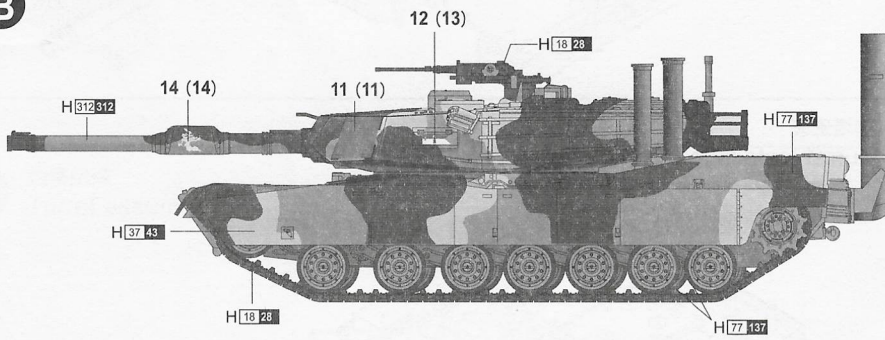
Color	Mr.Hobby	Vallejo	Model Master	Tamiya	Humbrol	Color	Mr.Hobby	Vallejo	Model Master	Tamiya	Humbrol
Steel(metal black) 黑铁色	H 18 28	864	1402	-	-	Medium Grey Green 绿色	H 312 312	-	1716	-	120
Sandy Brown 沙褐色	H 19	-	-	-	-	Wood Brown 木棕色	H 37 43	983	1701	-	186
潜奶油黄	H 87	-	-	-	-	Silver 银色	H 8 8	997	1546	X11	11
Tire black 胎黑色	H 137	-	-	-	-	Red 红色	H 3 3	908	1503	X7	19

涂装同标贴指示  
Painting & Marking guide

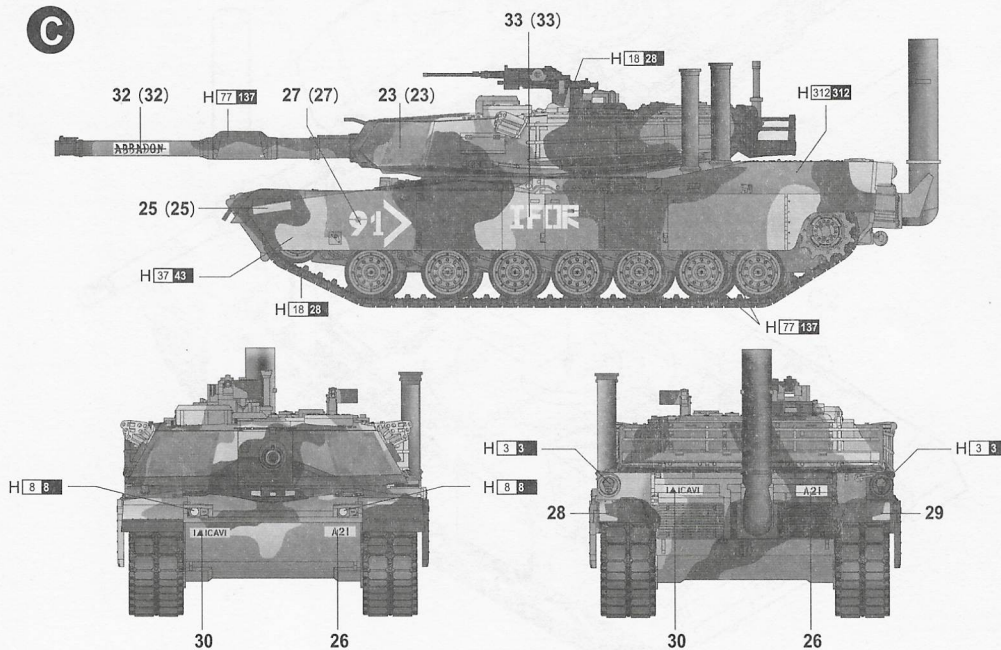
**A**



**B**



**C**



H  AQUEOUS HOBBY COLOR

Mr. COLOR

07276

8