

MIG-21PFM

DAYS OF GLORY
AND OBLIVION

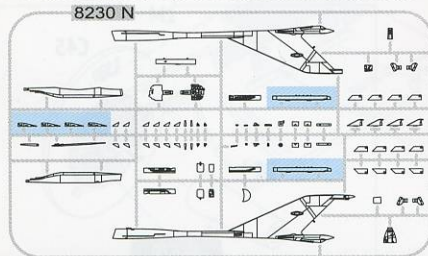
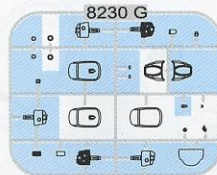
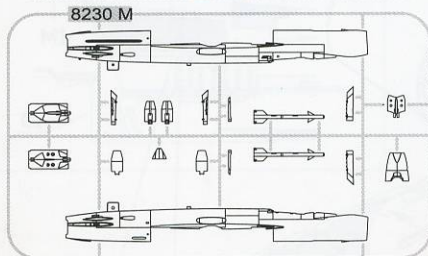
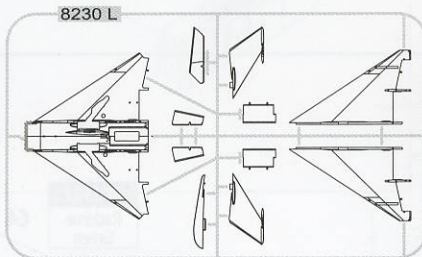
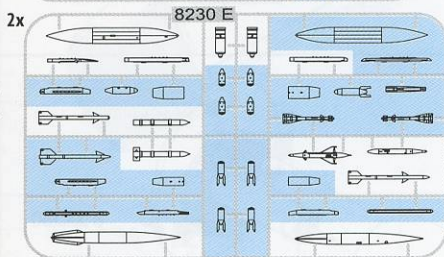
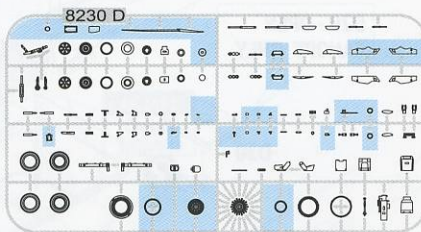
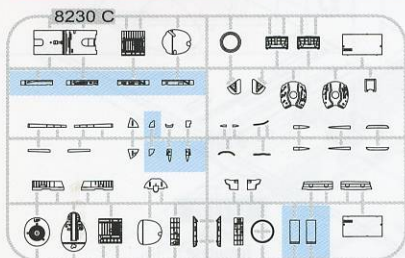


1/48 Scale
Unassembled Plastic Model Kit

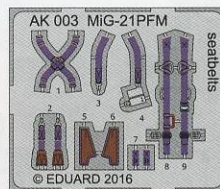
AK148003

Plastic parts

Parts not for use



PE
- Photo-etched
detail parts



Resin wheels with punctured tires



ATTENTION

Carefully read instruction sheet before assembling. When removing parts from sprues, take extreme care. Glue and paint should always be used in a well-ventilated area. Avoid any open flames. Keep out of reach of small children.

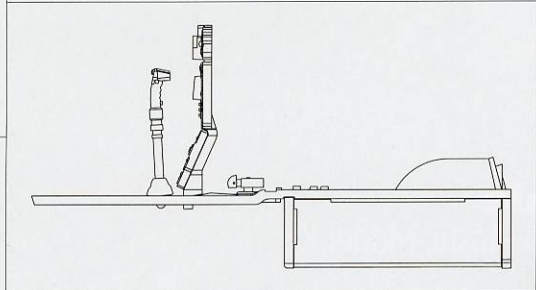
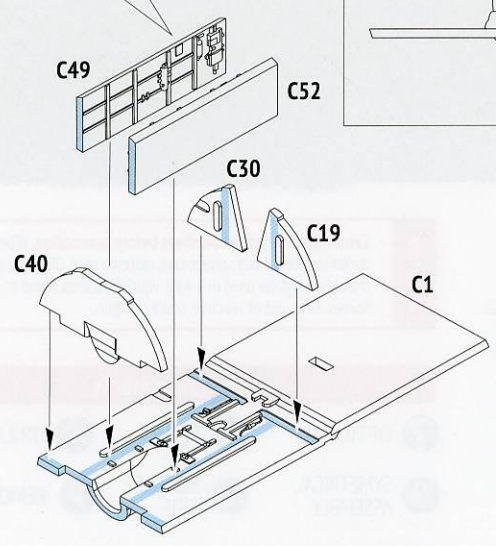
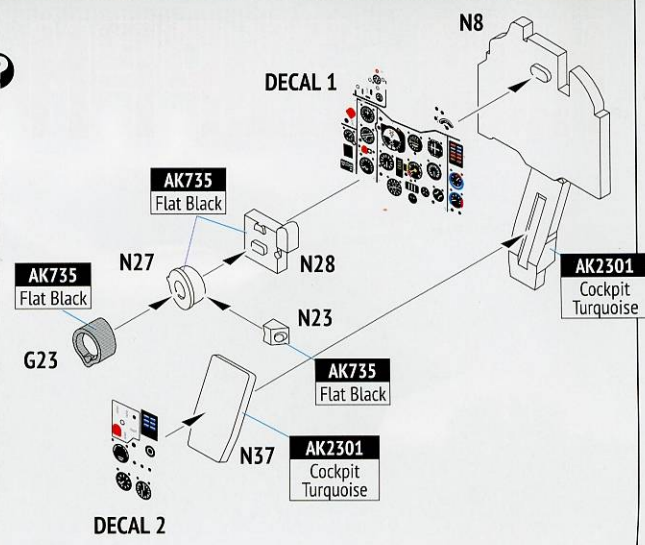
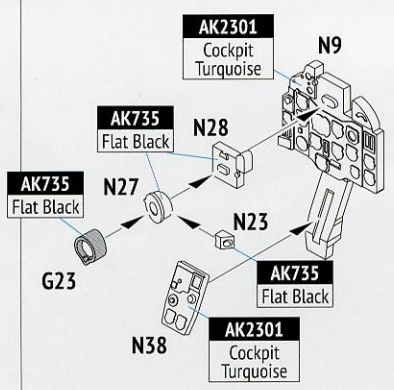
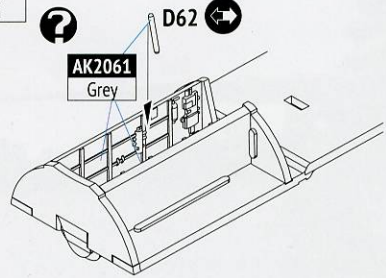
Instruction symbols

- ? OPTIONAL
- ↶ BEND
- ⚙ DRILL HOLE
- ↔ SYMETRICAL ASSEMBLY
- ↷ REVERSE SIDE
- ⬇ REMOVE

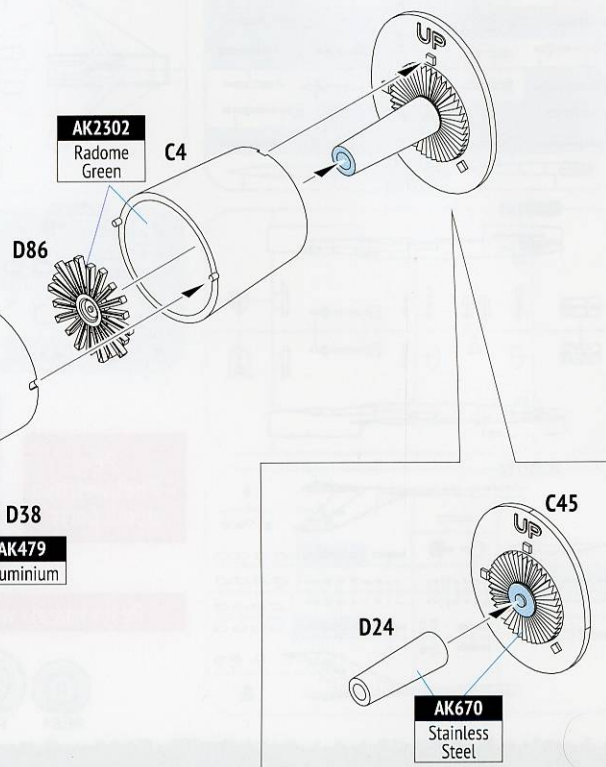
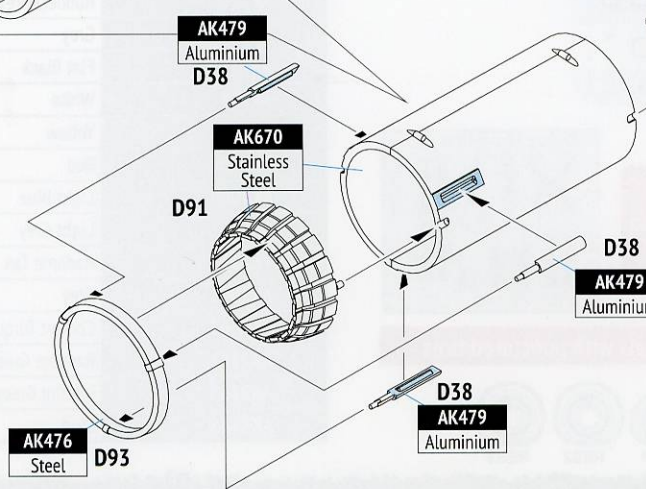
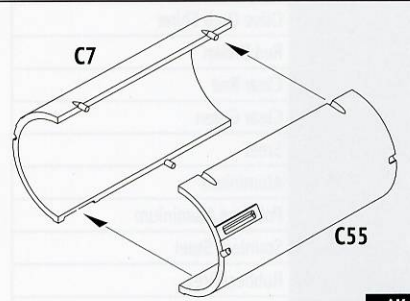
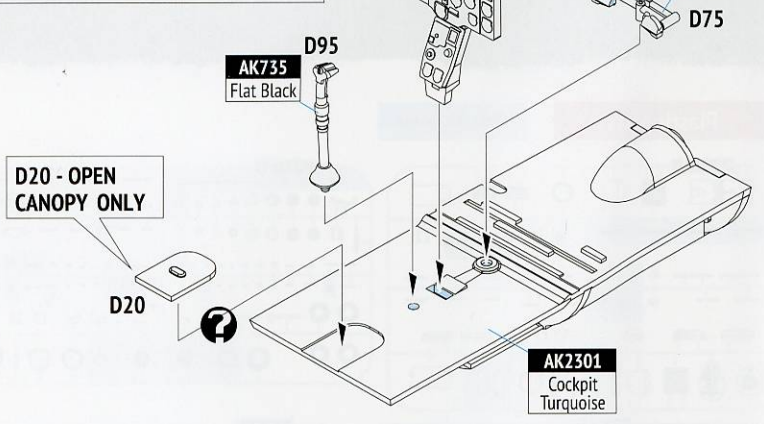
Colour guide:

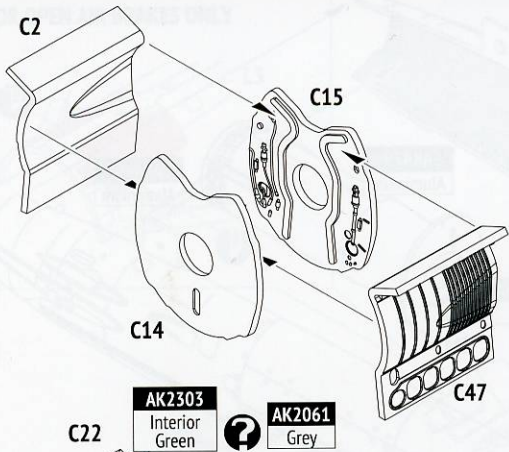
| | |
|--------|--------------------|
| AK137 | Olive Drab Shine |
| AK168 | Red Brown |
| AK265 | Clear Red |
| AK266 | Clear Green |
| AK476 | Steel |
| AK479 | Aluminium |
| AK481 | Polished Aluminium |
| AK670 | Stainless Steel |
| AK720 | Rubber/Tires |
| AK734 | Grey |
| AK735 | Flat Black |
| AK738 | White |
| AK739 | Yellow |
| AK740 | Red |
| AK2009 | Light Blue |
| AK2051 | Light Grey |
| AK2053 | Radome Tan |
| AK2061 | Grey |
| AK2301 | Cockpit Turquoise |
| AK2302 | Radome Green |
| AK2303 | Interior Green |
| AK4145 | Blue |

AK2303 Interior Green



D20 - OPEN CANOPY ONLY





C33
AK739 Yellow

D53
AK2303 Interior Green

AK2061 Grey

D48
AK740 Red

C24
AK739 Yellow

D50
AK479 Aluminium

AK2303 Interior Green

AK2061 Grey

C22

AK2303 Interior Green

AK2061 Grey

C34

AK739 Yellow

plastic

DECAL 3

N3

N10

AK2301 Cockpit Turquoise

N43

AK2301 Cockpit Turquoise

plastic

DECAL 4

DECAL 3

?

N39

DECAL 5

C44

AK2301 Cockpit Turquoise

C39

AK2301 Cockpit Turquoise

C42

DECAL 3

M18

C1

M18

AK2301 Cockpit Turquoise

C42

AK479 Aluminium

N33

AK2301 Cockpit Turquoise

AK735 Flat Black

DECAL 7

N34

AK2301 Cockpit Turquoise

plastic

AK2301 Cockpit Turquoise

?

DECAL 6

AK2301 Cockpit Turquoise

N33

AK735 Flat Black

AK2301 Cockpit Turquoise

C43

AK2301 Cockpit Turquoise

C38

DECAL 6

C41

M1

C1

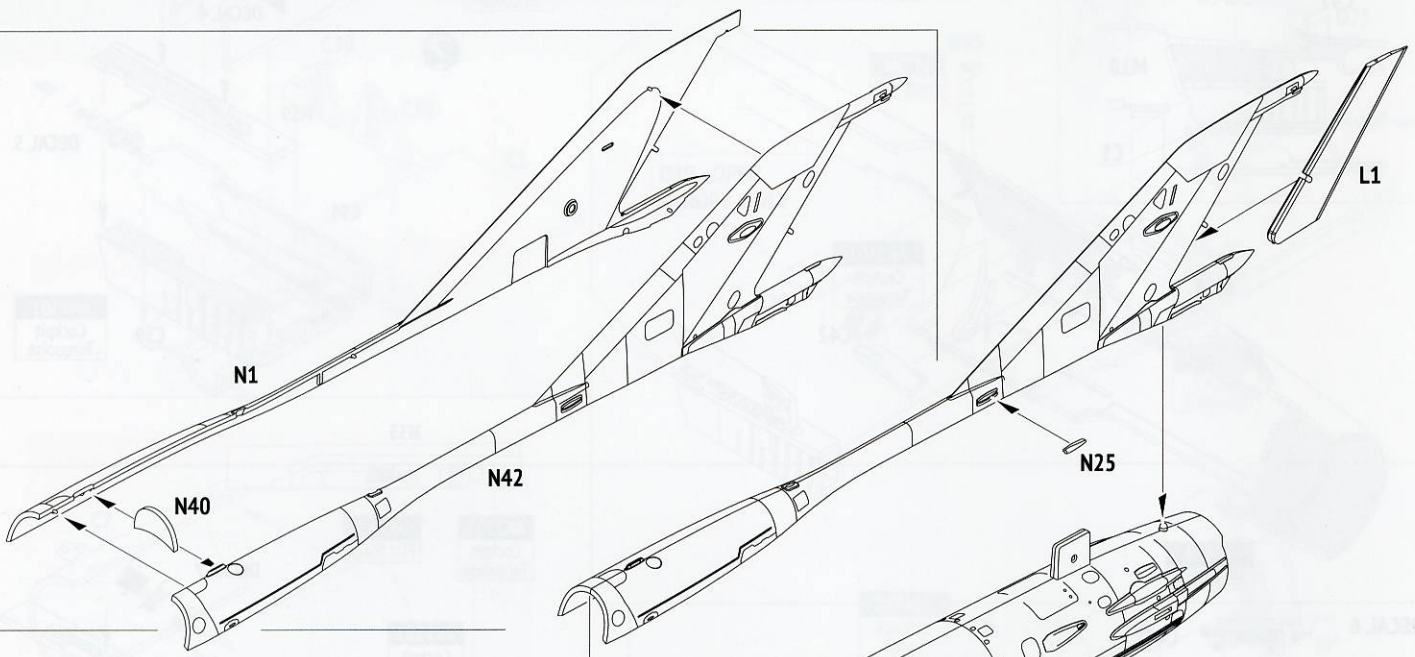
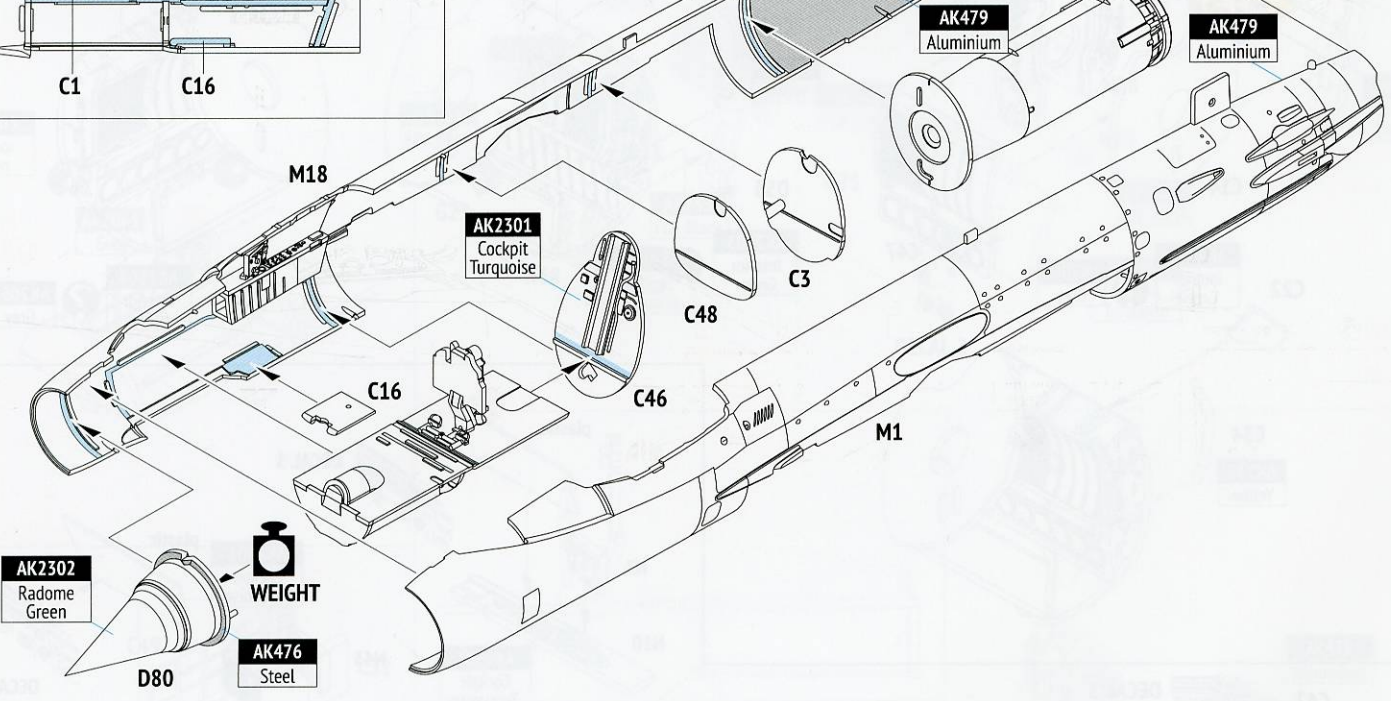
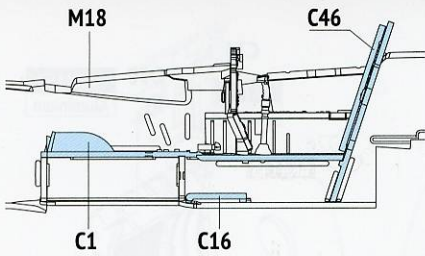
AK479 Aluminium

AK2301 Cockpit Turquoise

C41

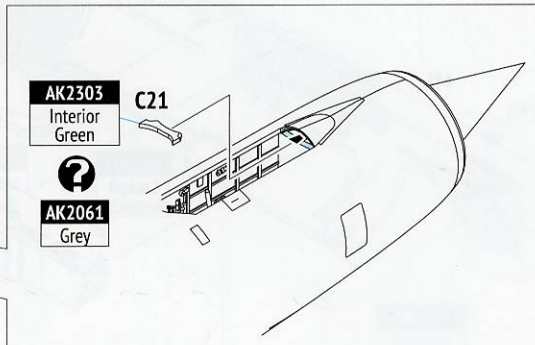
AK2301 Cockpit Turquoise

M1

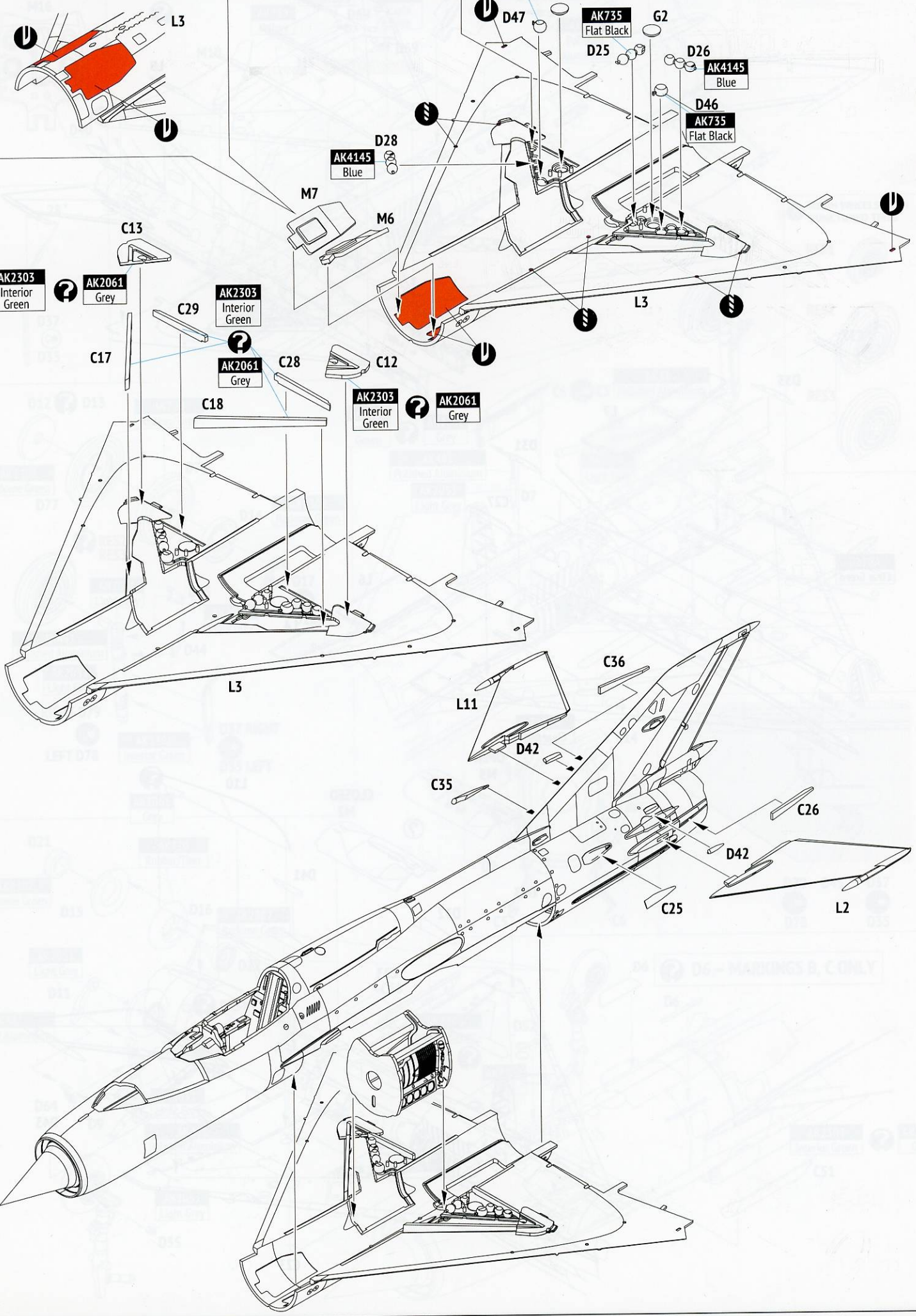


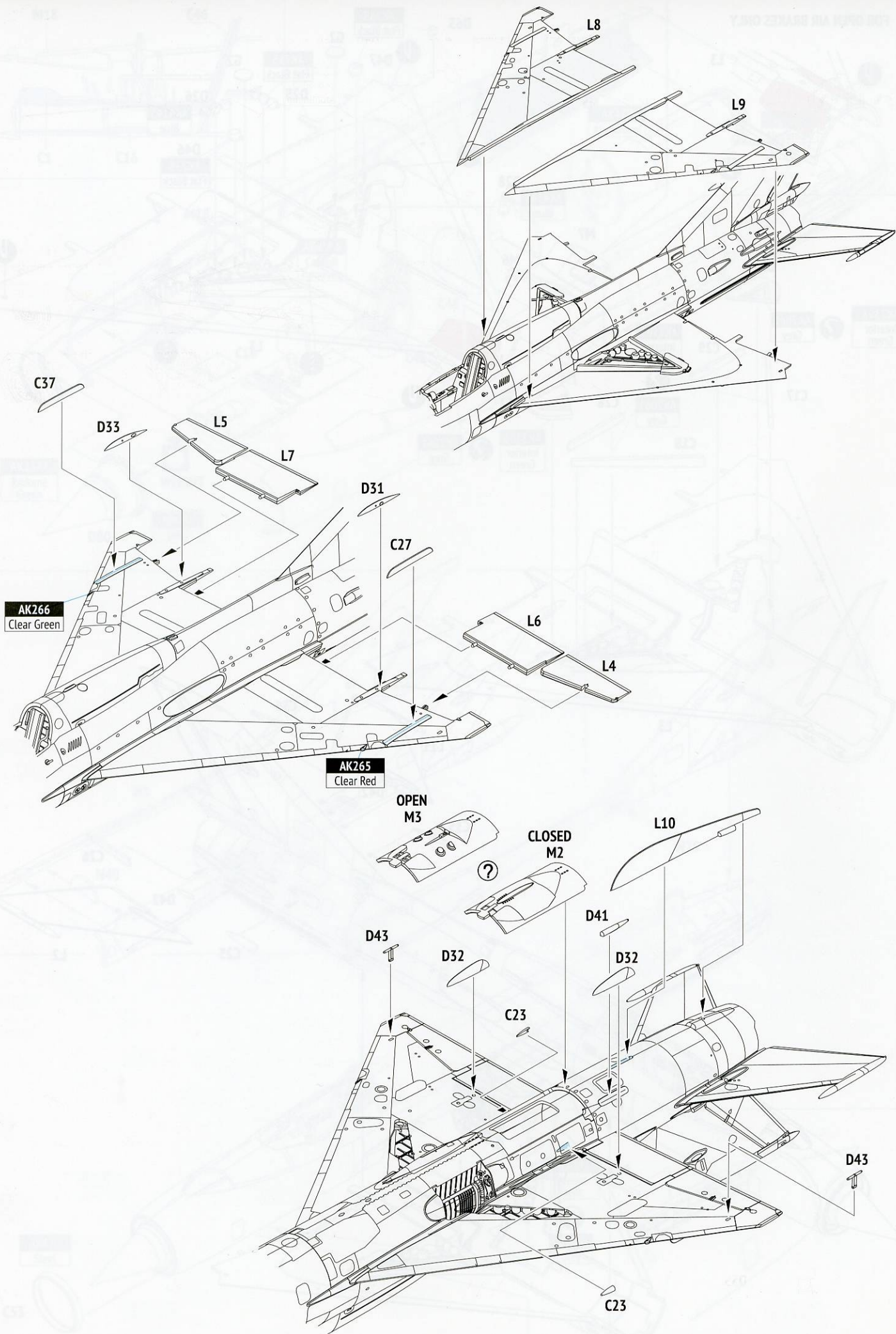
AK476 Steel

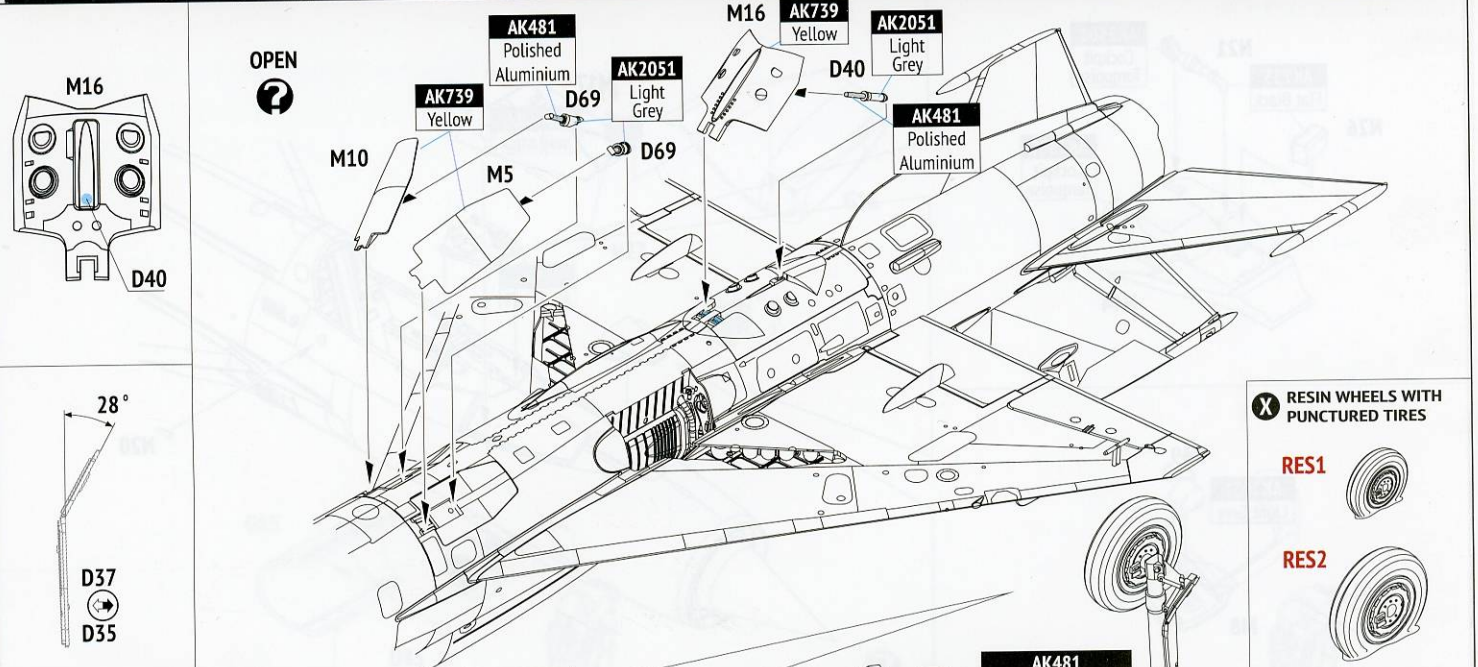
C53



FOR OPEN AIR BRAKES ONLY





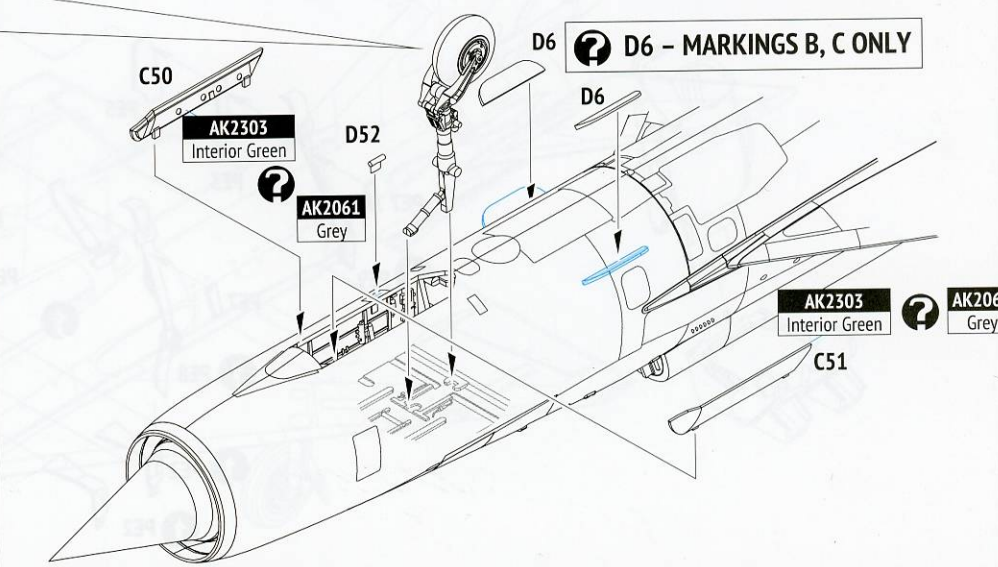
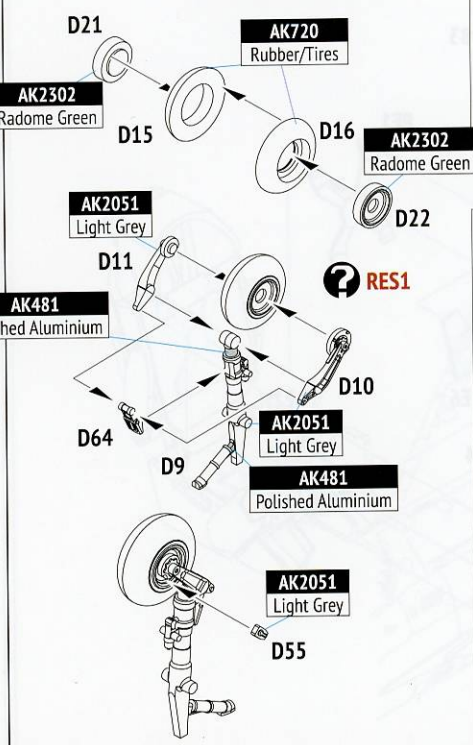
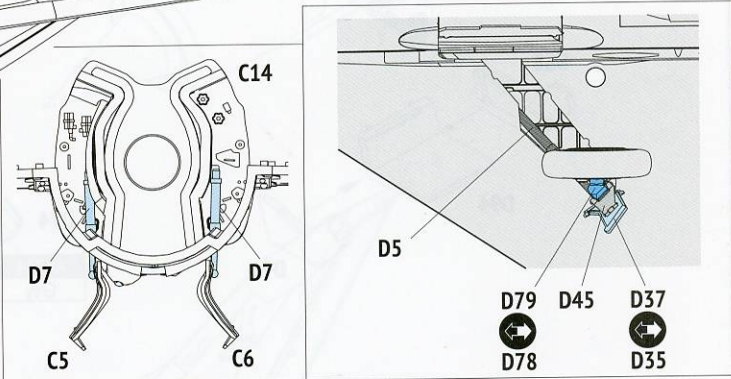
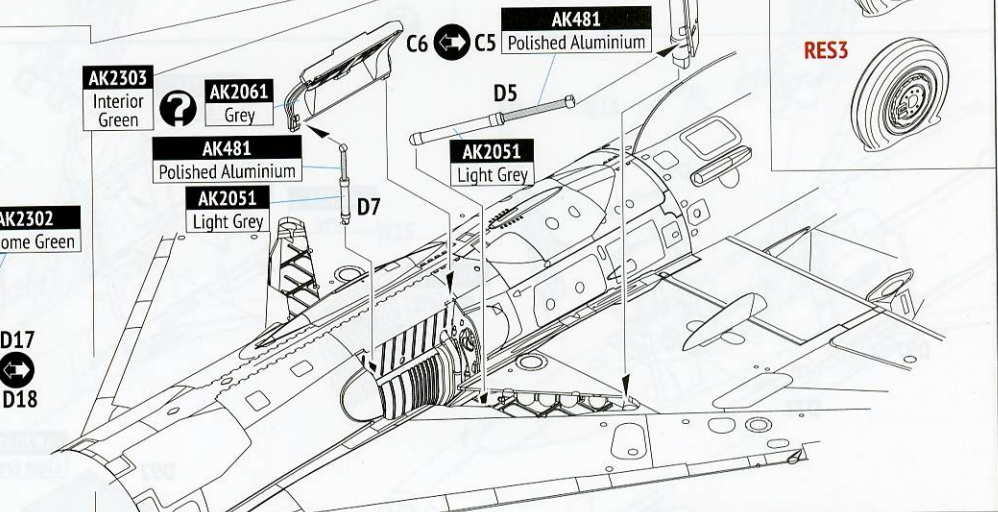
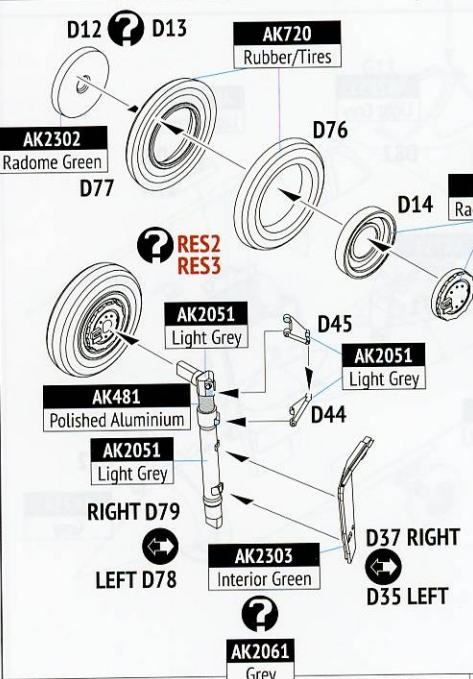


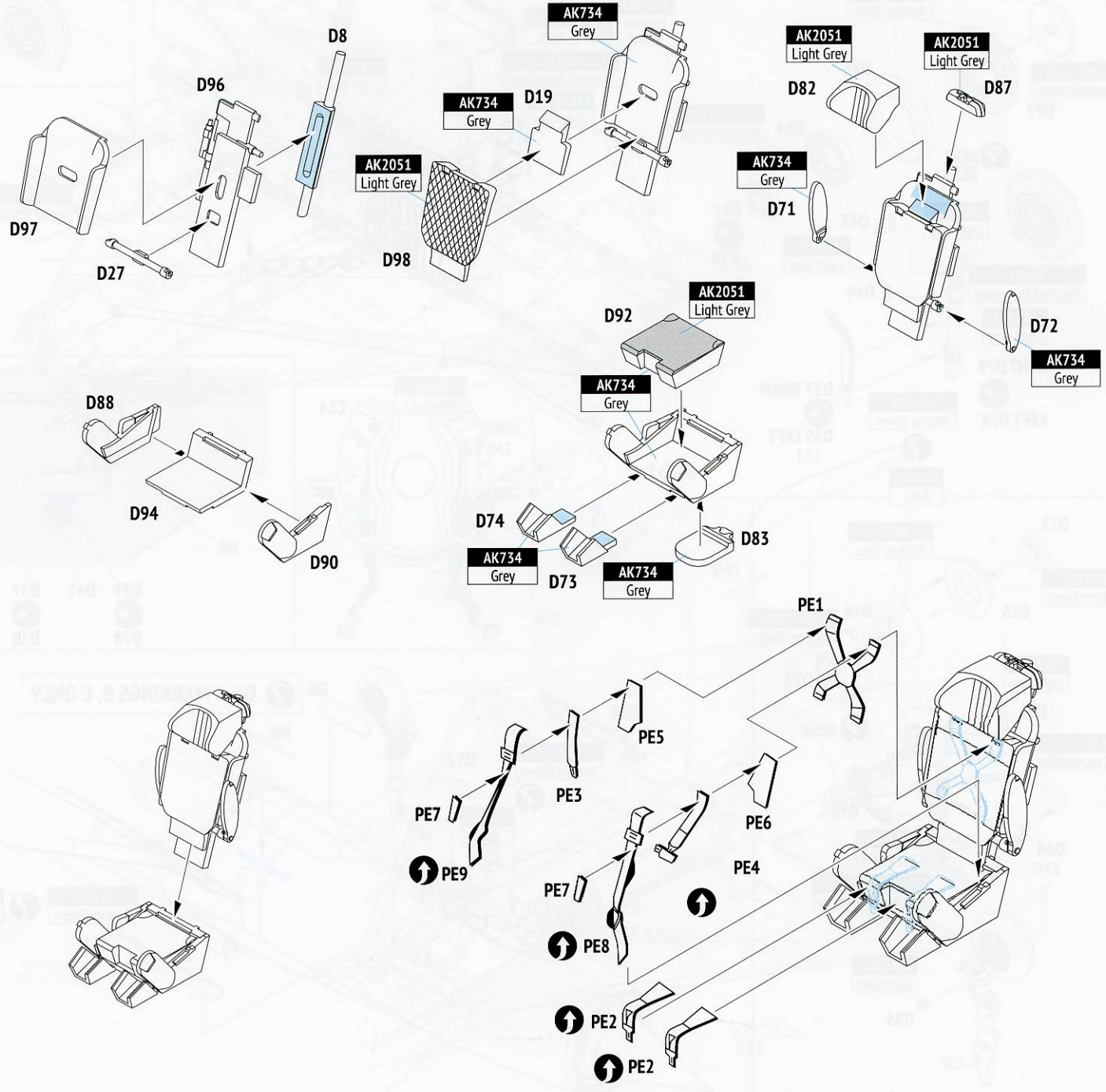
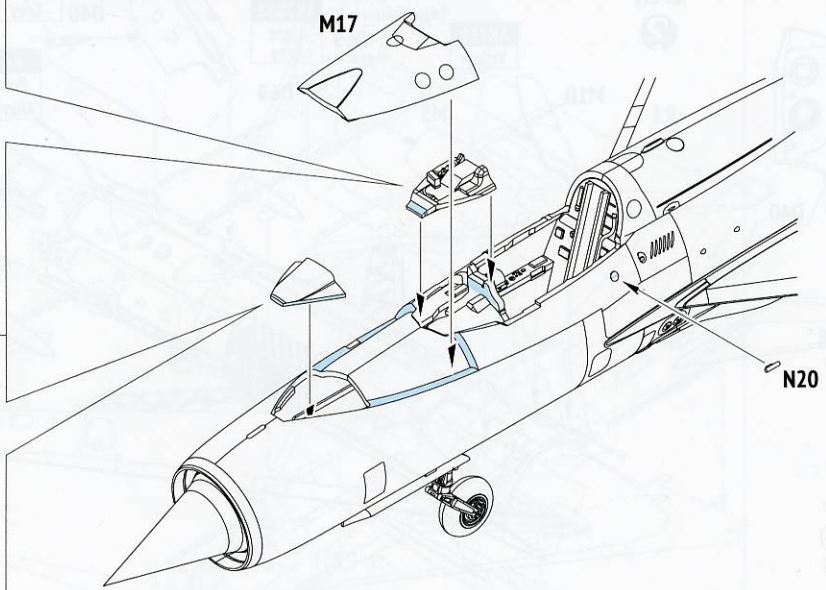
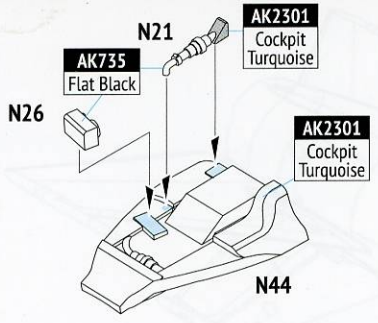
X RESIN WHEELS WITH PUNCTURED TIRES

RES1

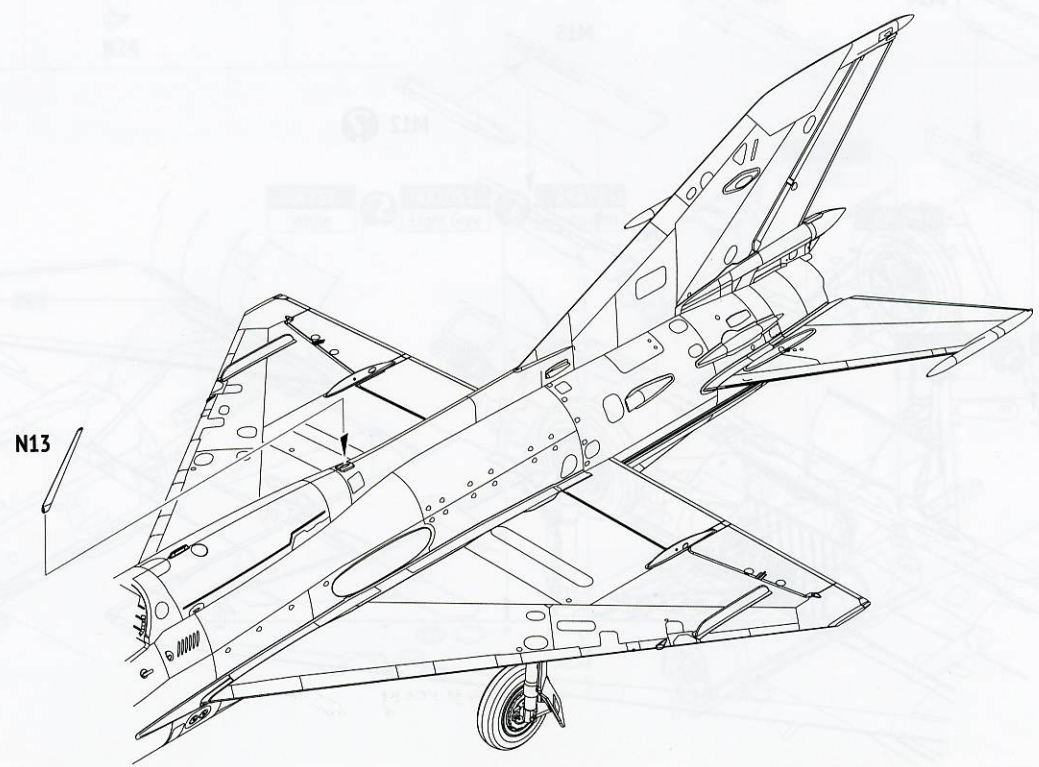
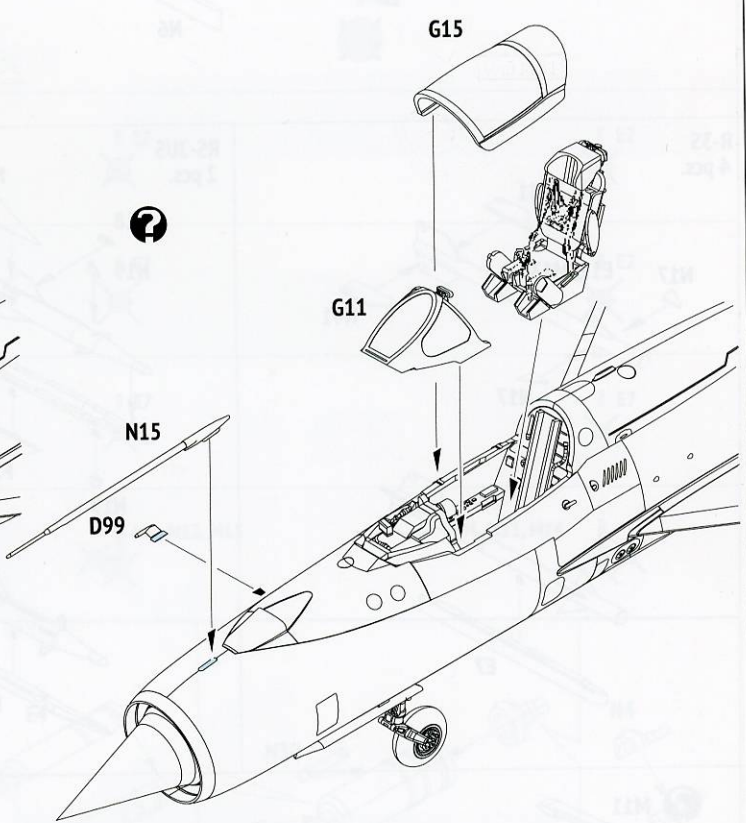
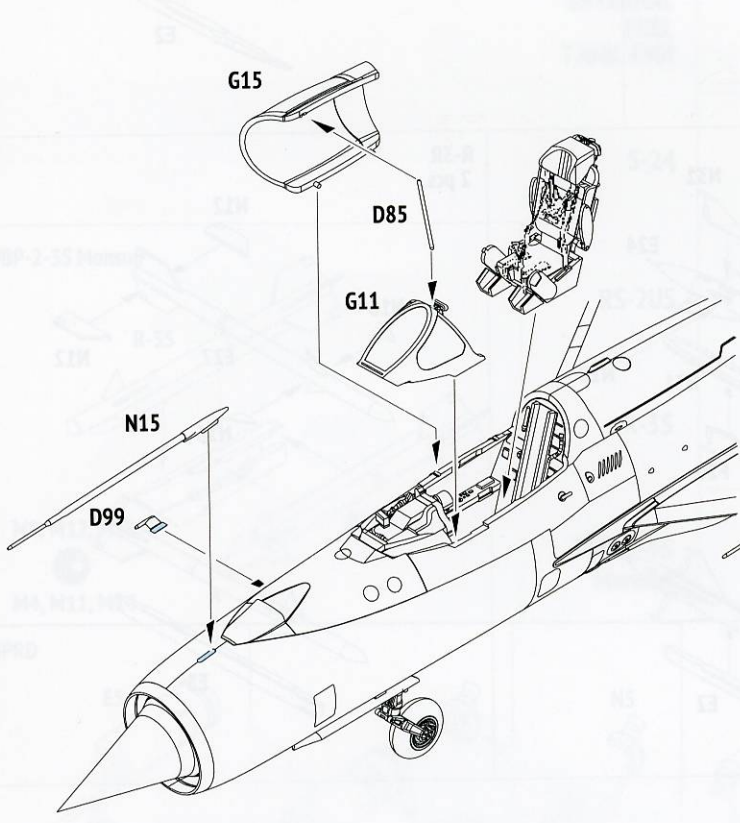
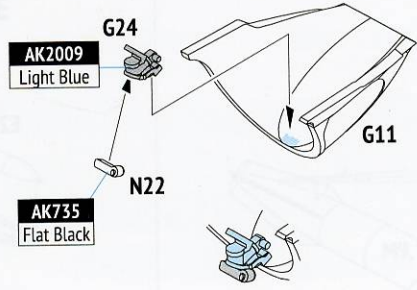
RES2

RES3

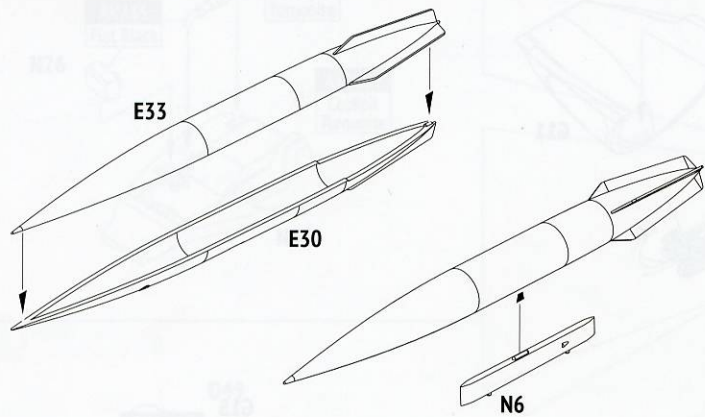




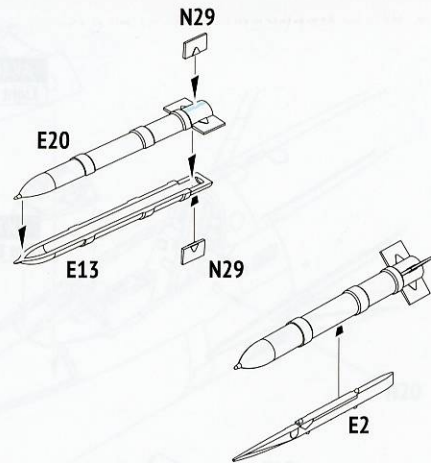
CHECK YOUR REFERENCED TO CHOOSE
WEAPON AND EXTERNAL TANK
TANK CONFIGURATION



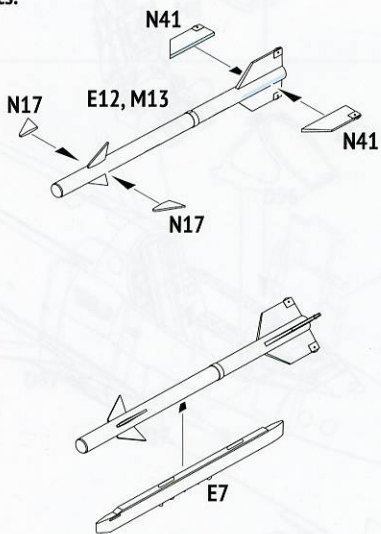
EXTERNAL FUEL TANK 490L
2 pcs.



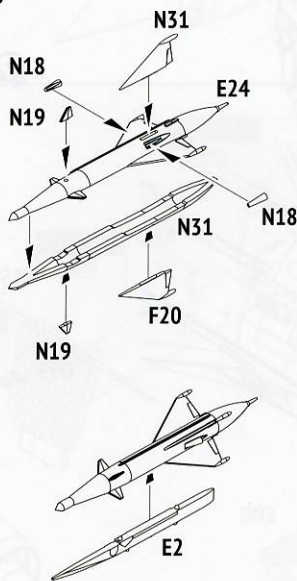
S-24
2 pcs.



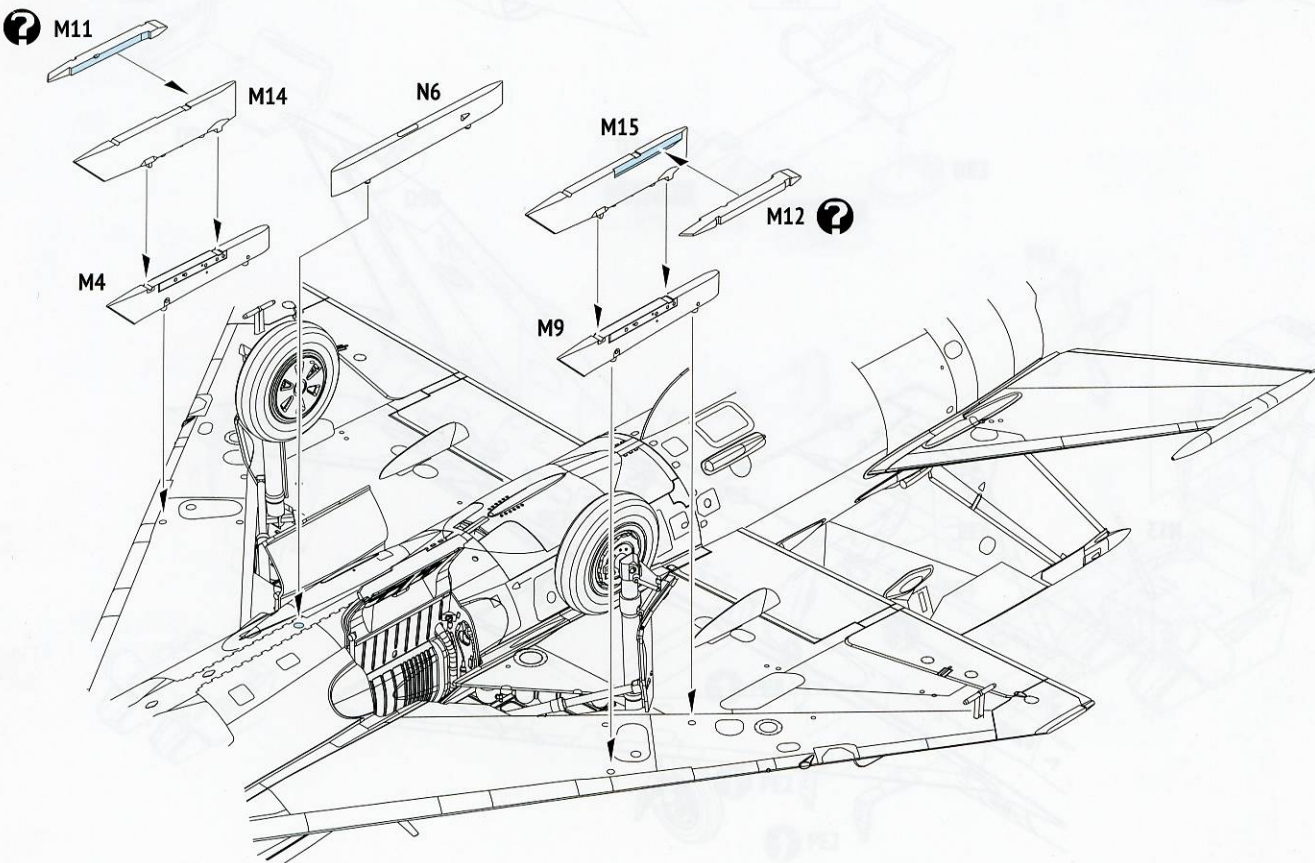
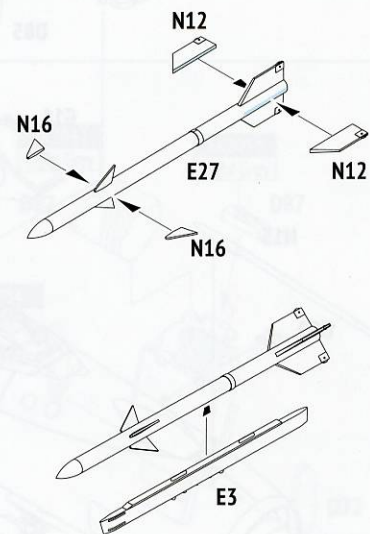
R-3S
4 pcs.



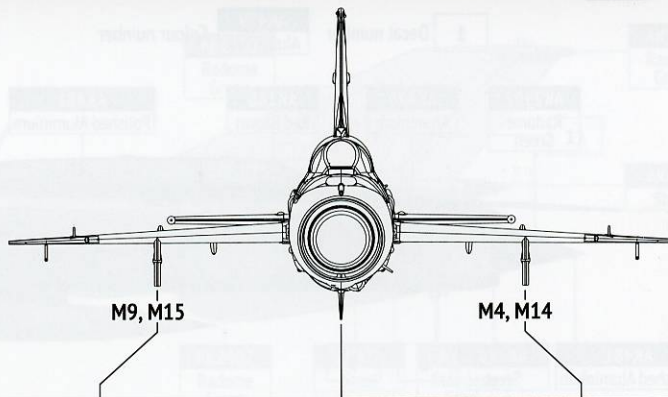
RS-2US
2 pcs.



R-3R
2 pcs.



CHECK YOUR REFERENCES TO CHOOSE WEAPON AND EXTERNAL FUEL TANK CONFIGURATION.



EXTERNAL FUEL TANK 490L



S-24



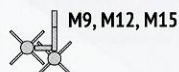
RS-2US



R-3S



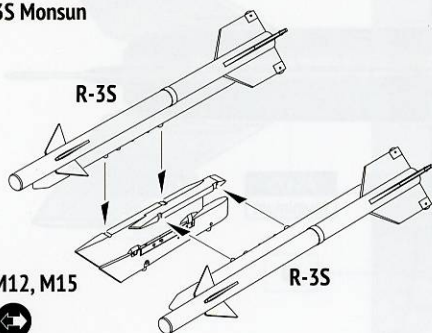
PBP-2-3S Monsun



M4, M11, M14



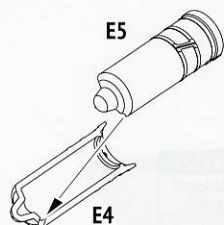
PBP-2-3S Monsun



M9, M12, M15

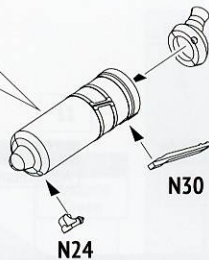
M4, M11, M14

SPRD



E5

E4



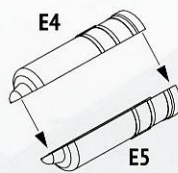
N24

N30



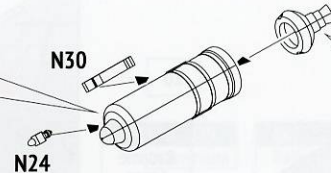
N4

N5



E4

E5



N24

N30

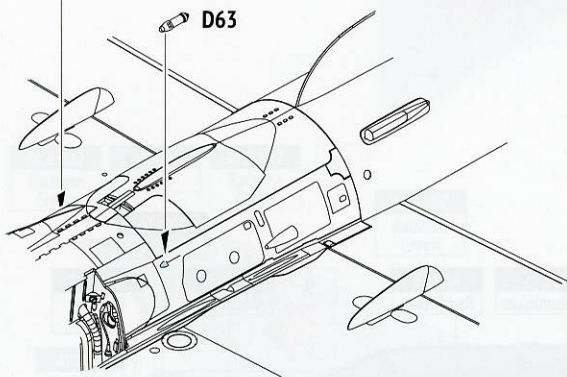


N4

N5

D63

D63



AK738
White

AK2051
Light Grey

AK479
Aluminium



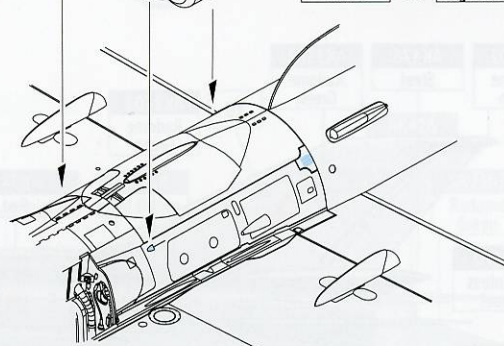
AK476
Steel

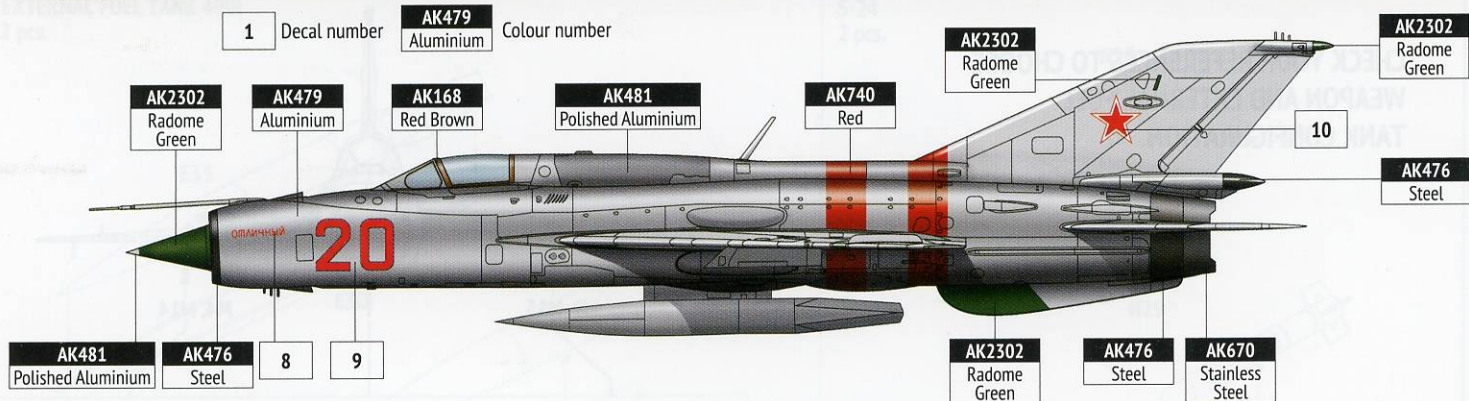
AK476
Steel

AK738
White

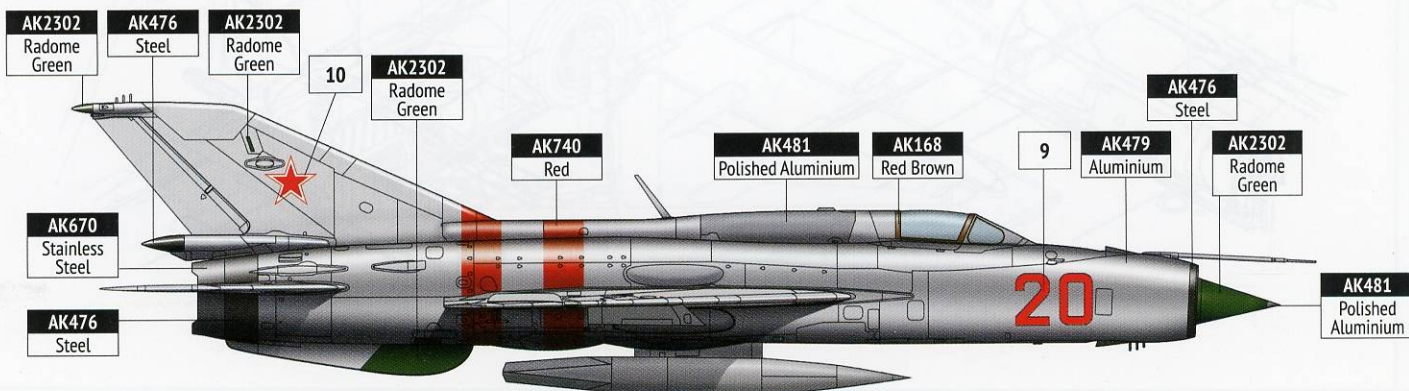
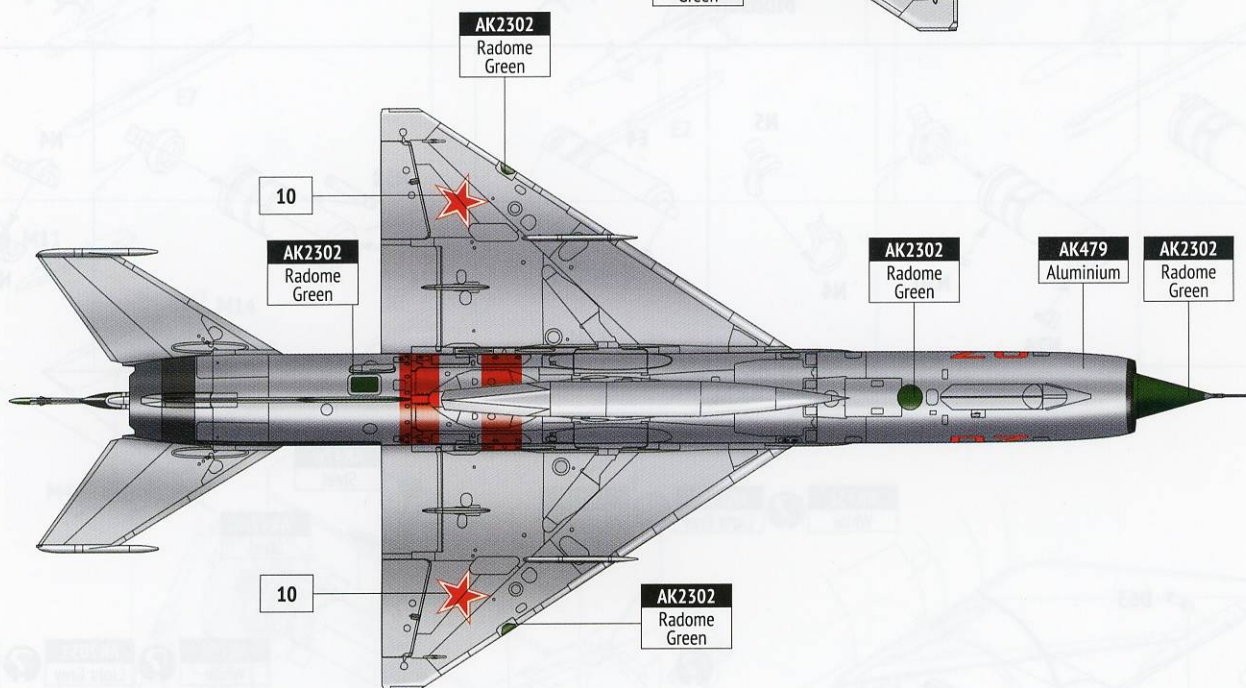
AK2051
Light Grey

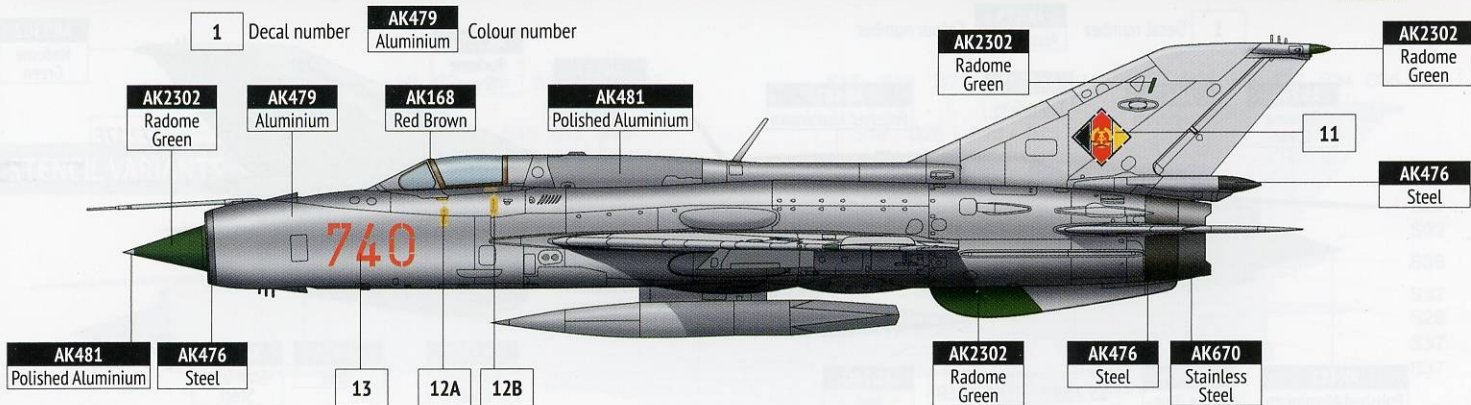
AK479
Aluminium



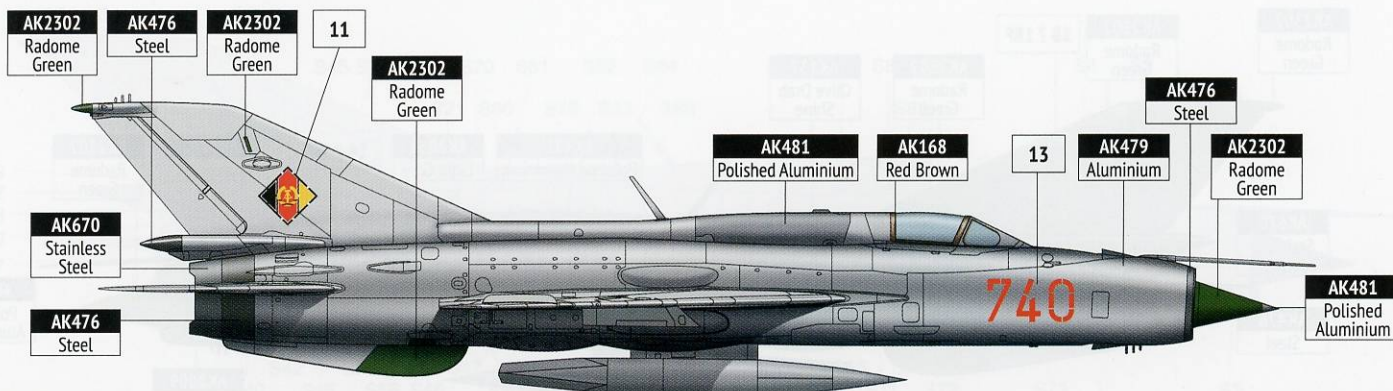
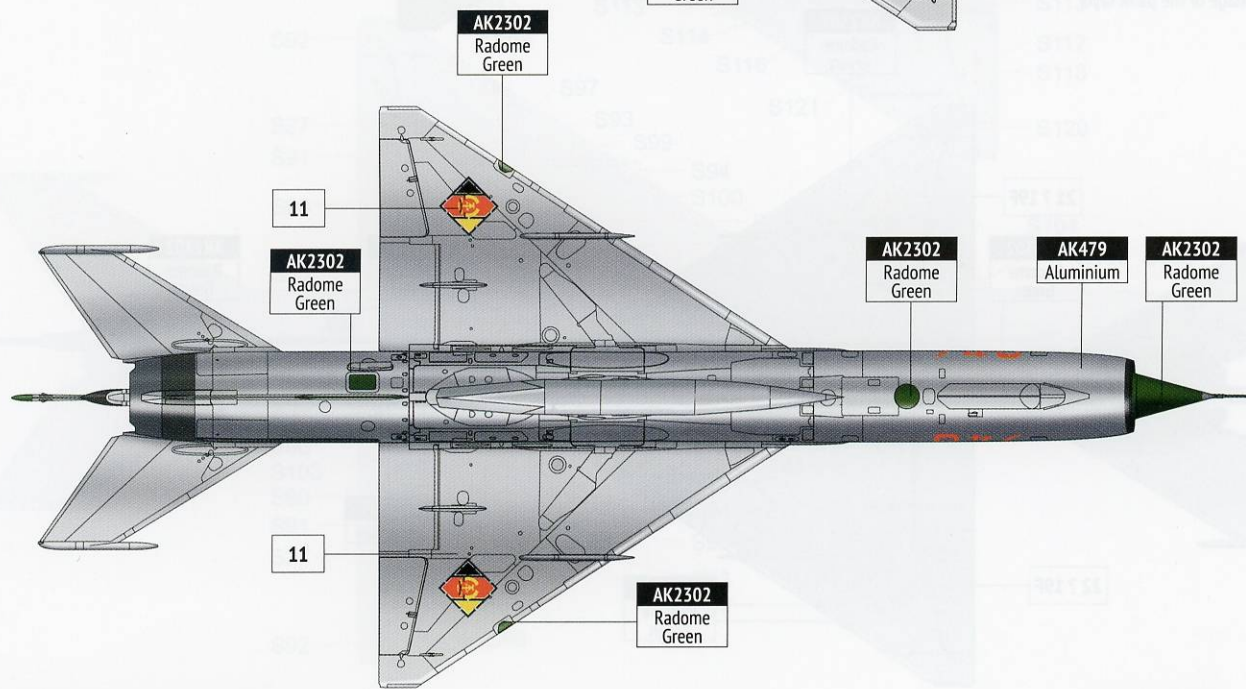
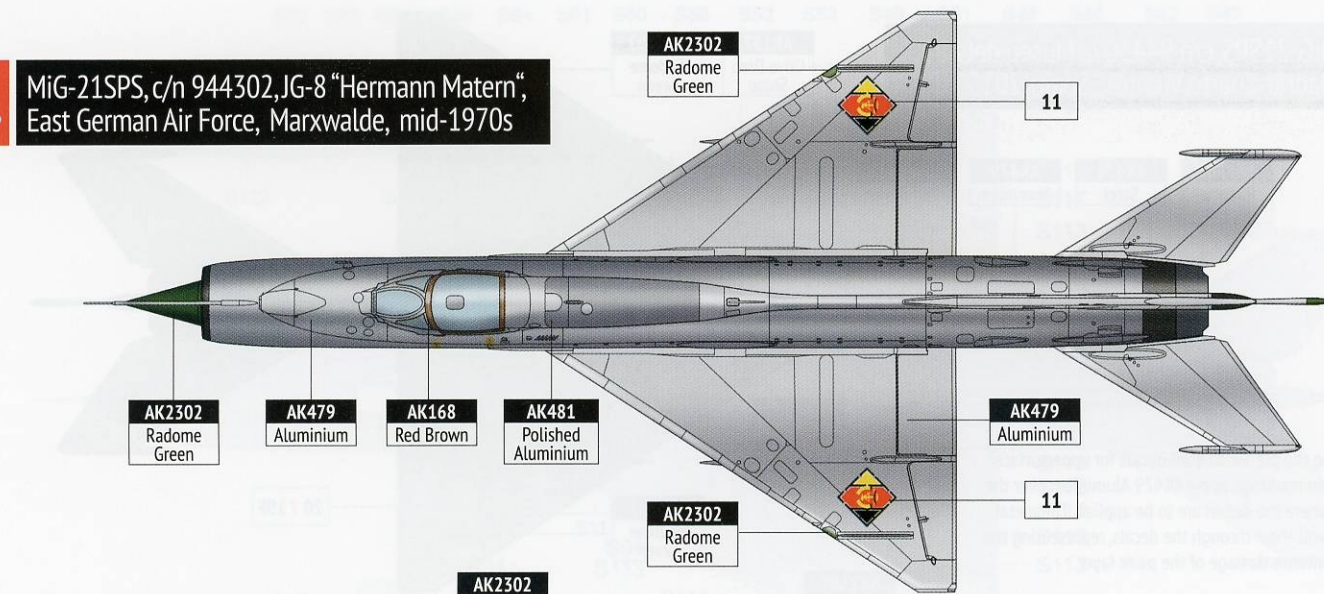


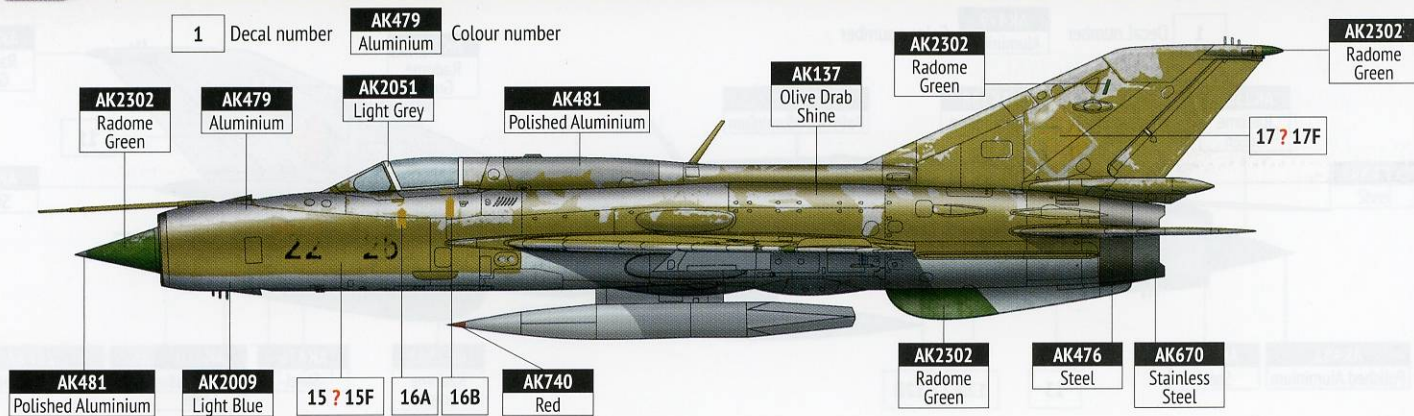
A. MiG-21PFM, Soviet Air Force, Operation Danube, Czechoslovakia, 1968.





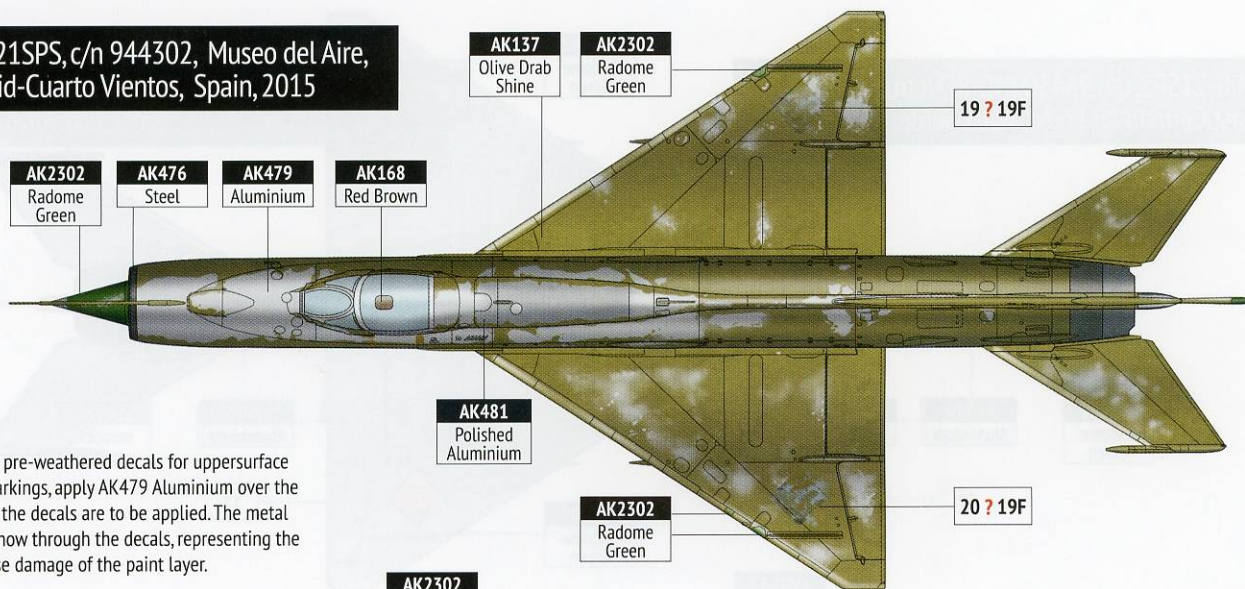
B. MiG-21SPS, c/n 944302, JG-8 "Hermann Matern", East German Air Force, Marxwalde, mid-1970s



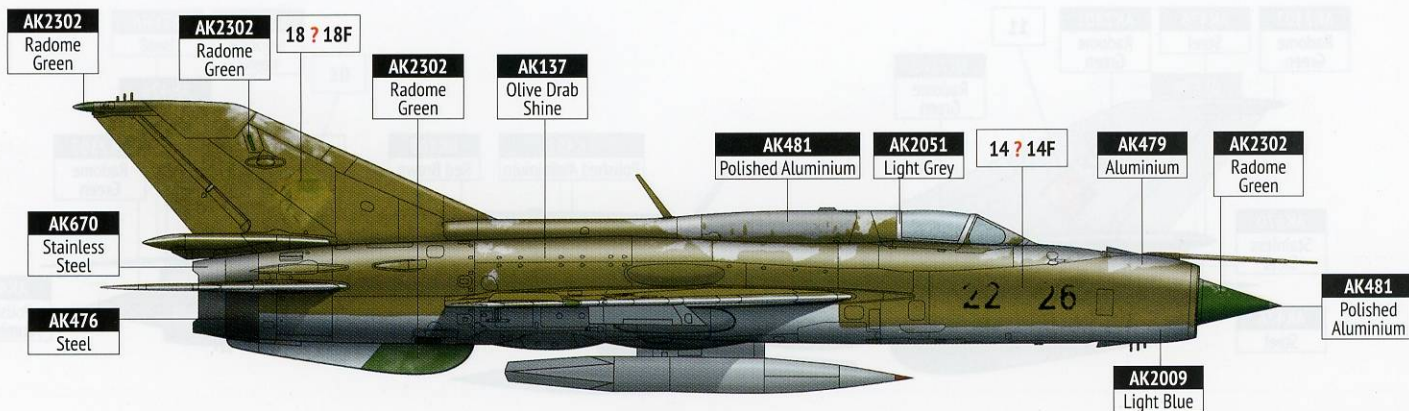
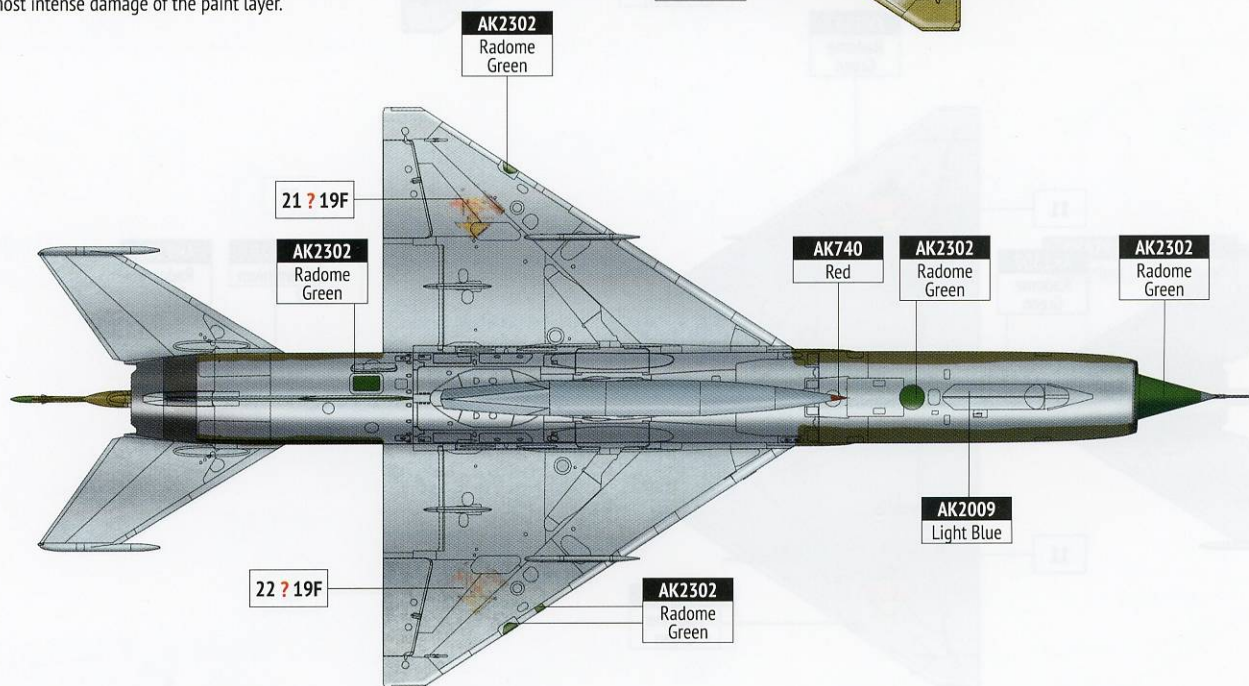


C.

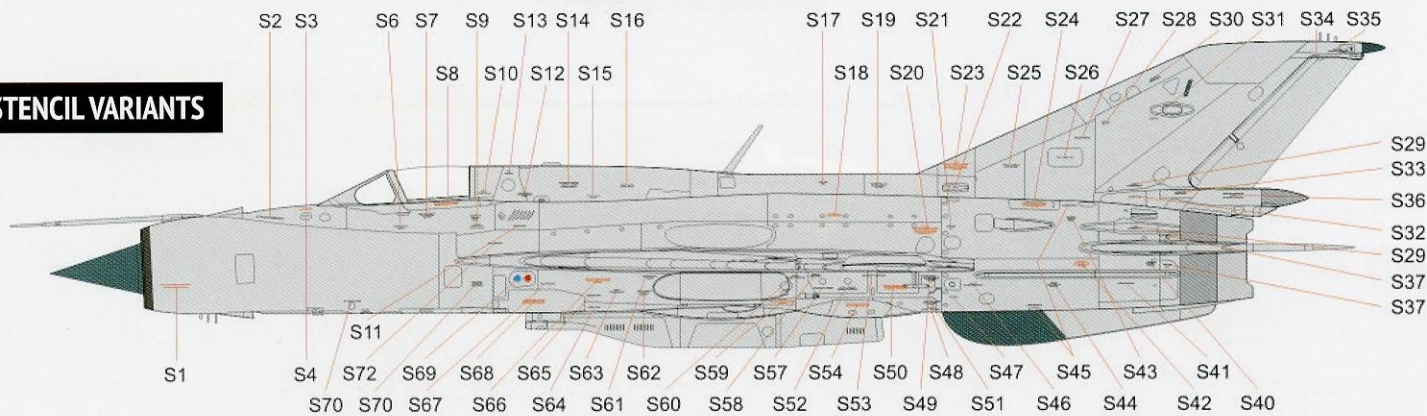
MiG-21SPS, c/n 944302, Museo del Aire, Madrid-Cuarto Vientos, Spain, 2015



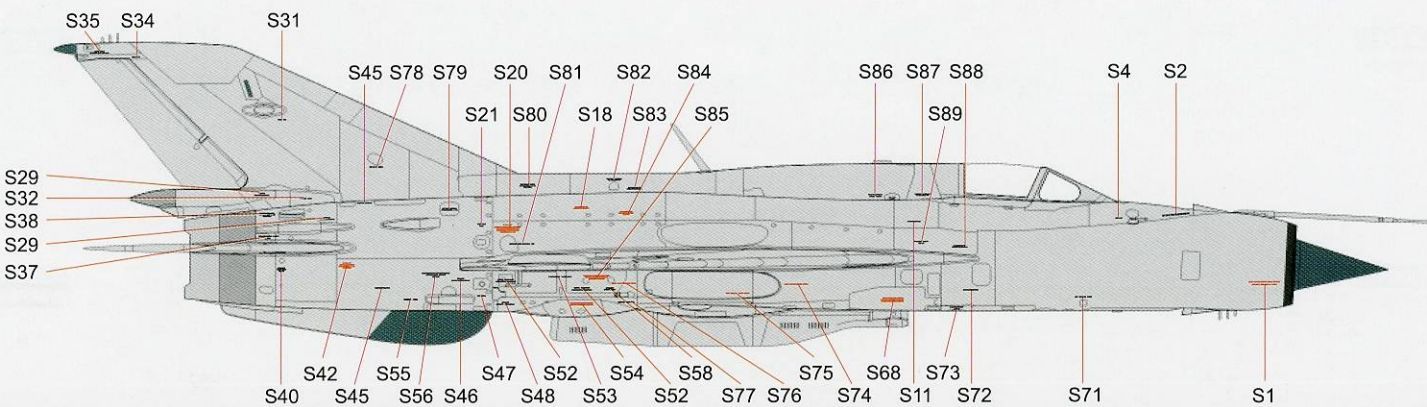
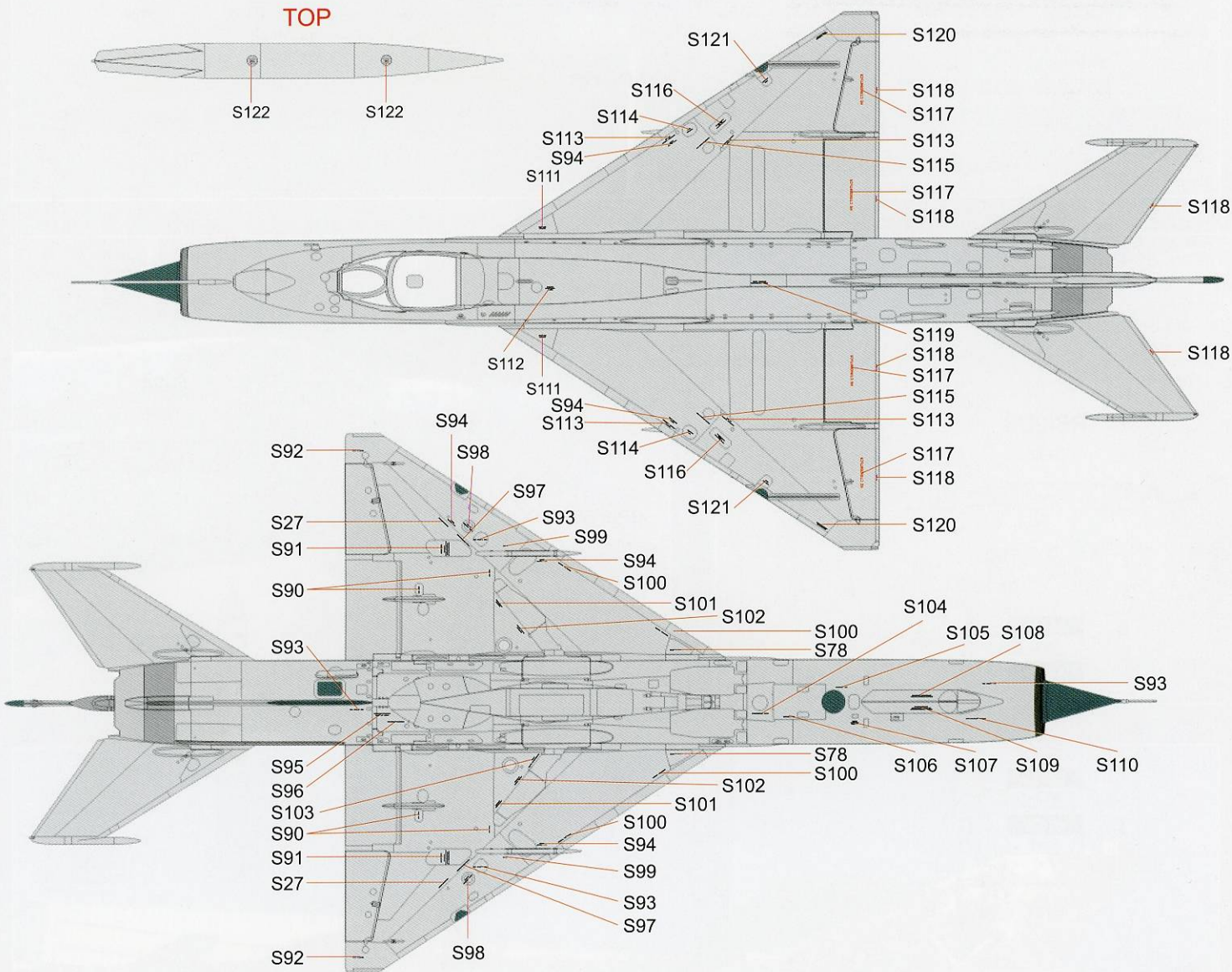
If using the pre-weathered decals for uppersurface national markings, apply AK479 Aluminium over the area where the decals are to be applied. The metal paint will show through the decals, representing the most intense damage of the paint layer.



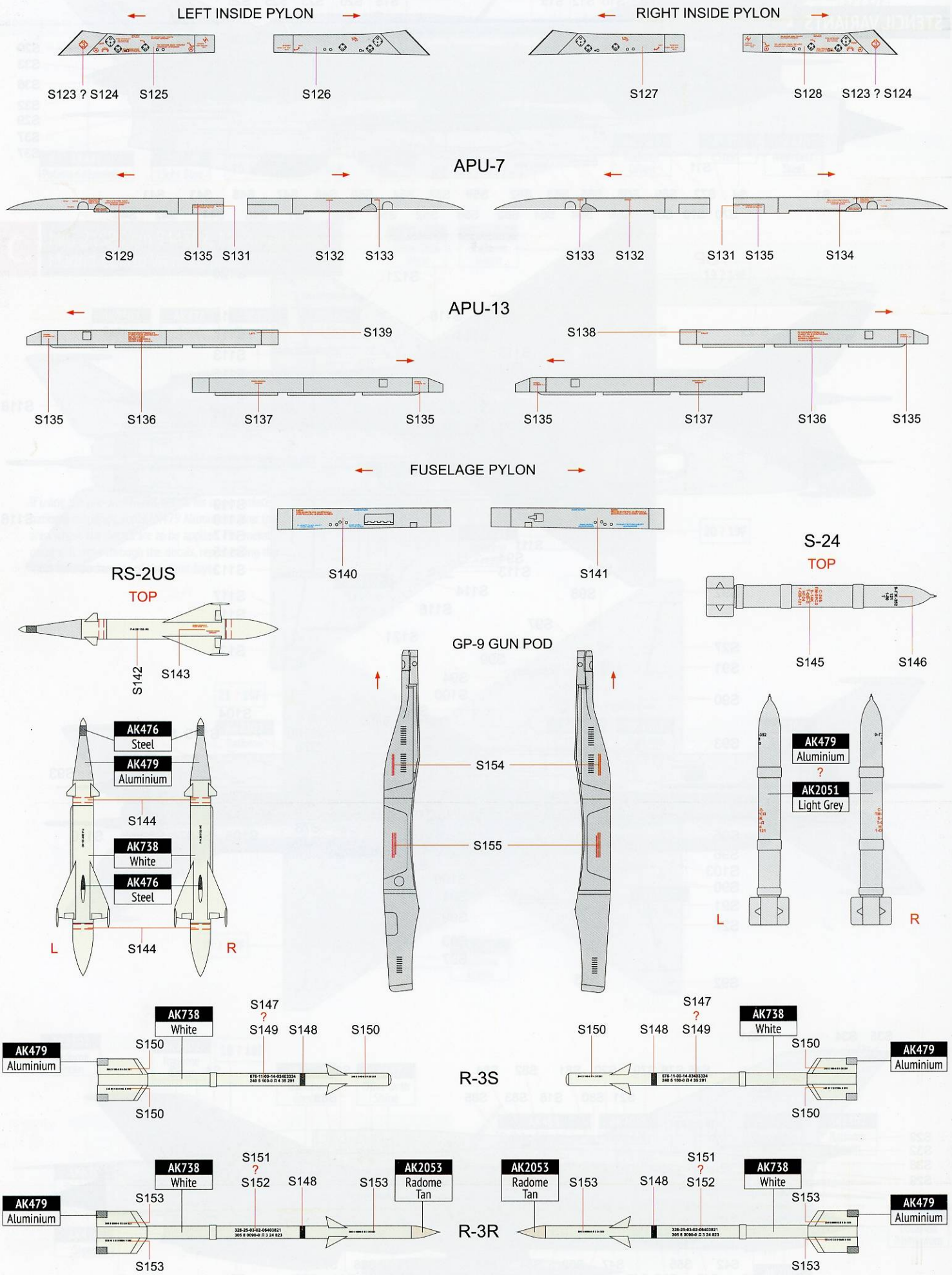
STENCIL VARIANTS



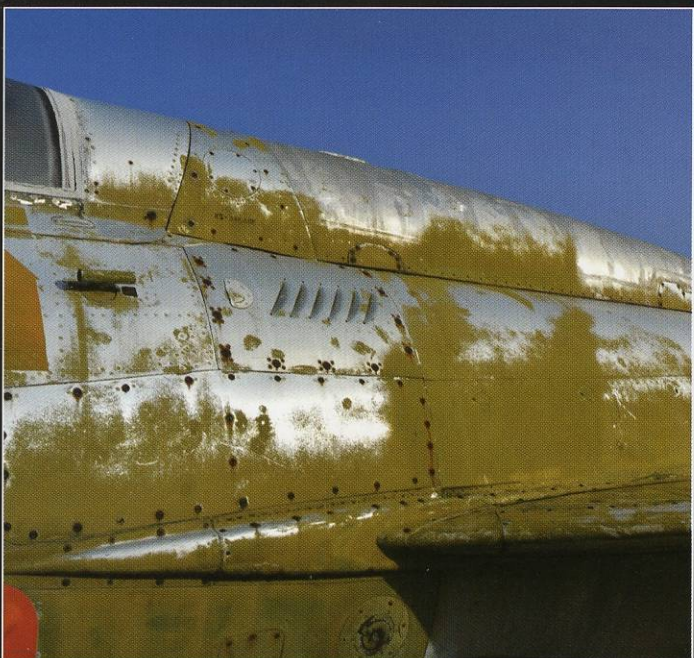
TOP

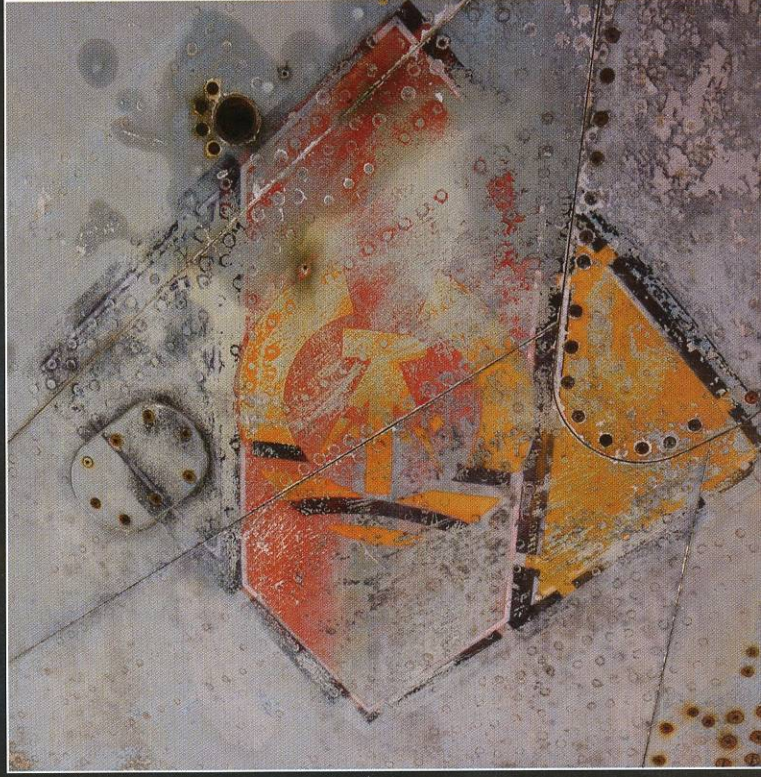


STENCIL VARIANTS









DAYS OF GLORY AND OBLIVION

MI9 ★ ЗИПФМ

