

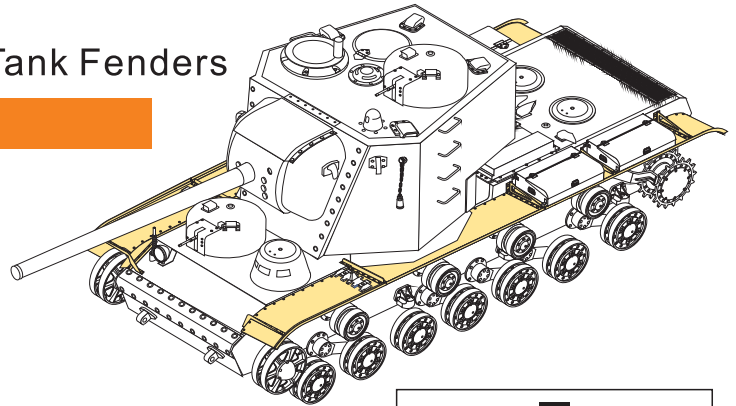
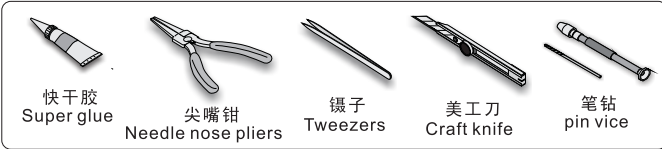
1/35 MILITARY MINIATURE VEHICLE UPGRADE SERIES PE35706


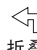







Russian KV-5 (Object 225) Heavy Tank Fenders


二战苏联 KV-5 重型坦克翼子板

[For TAKOM 2006]

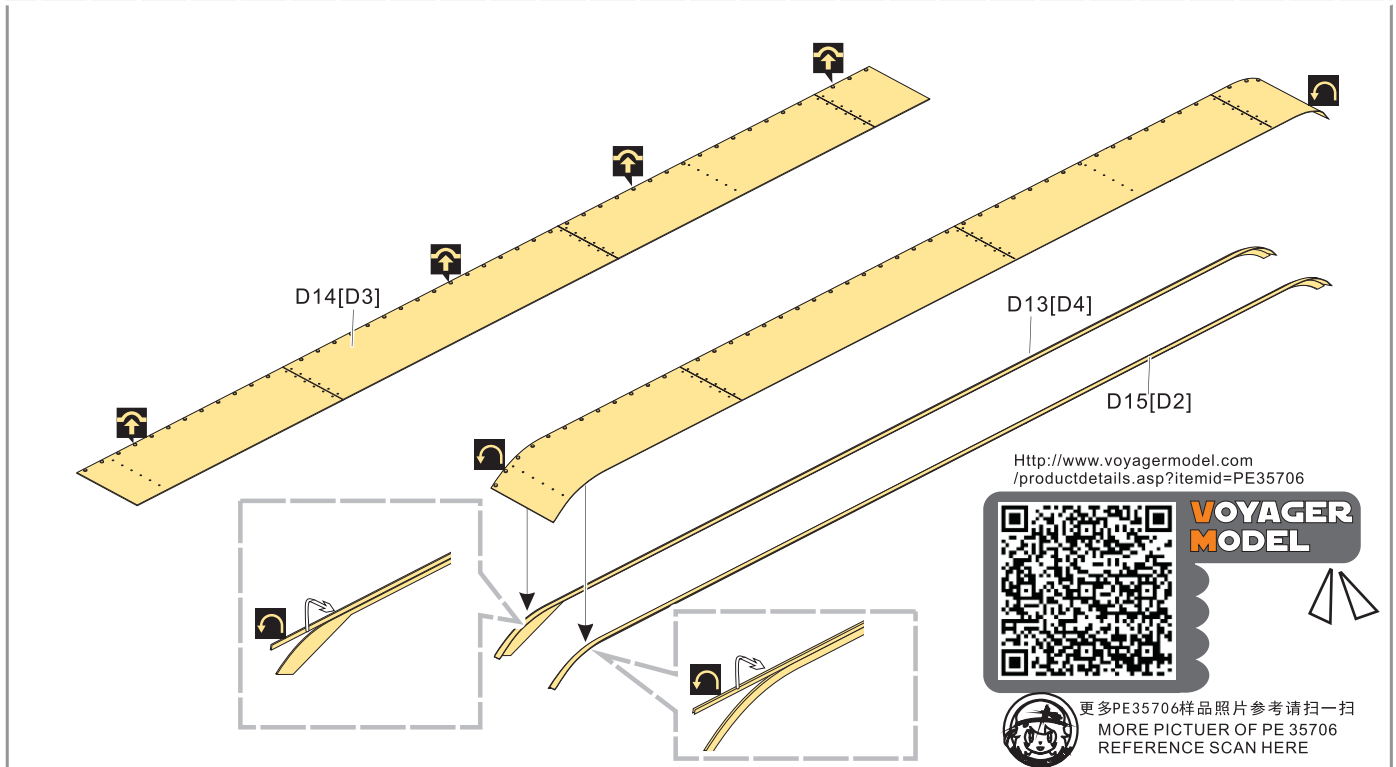
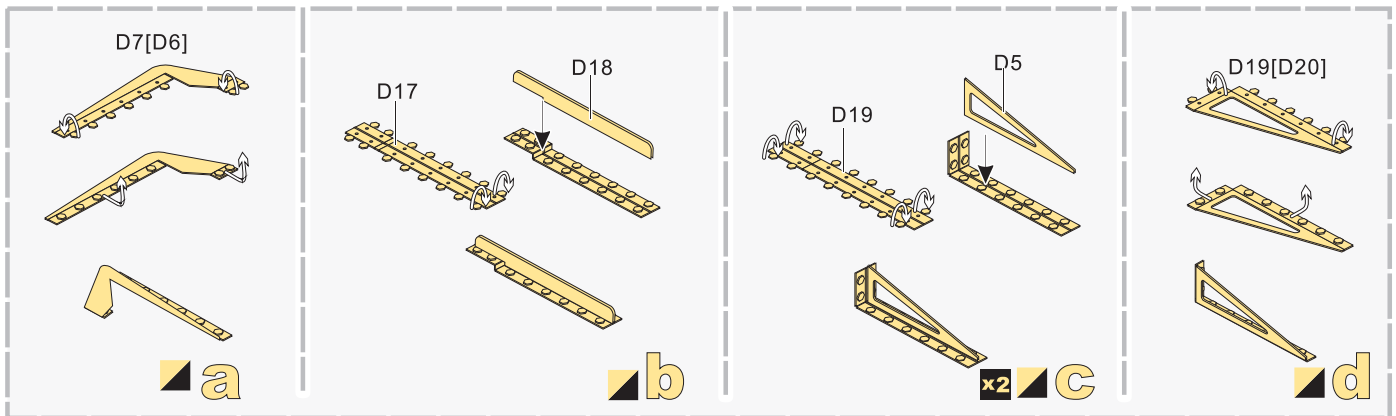
推荐使用工具 RECOMMENDED TOOLS



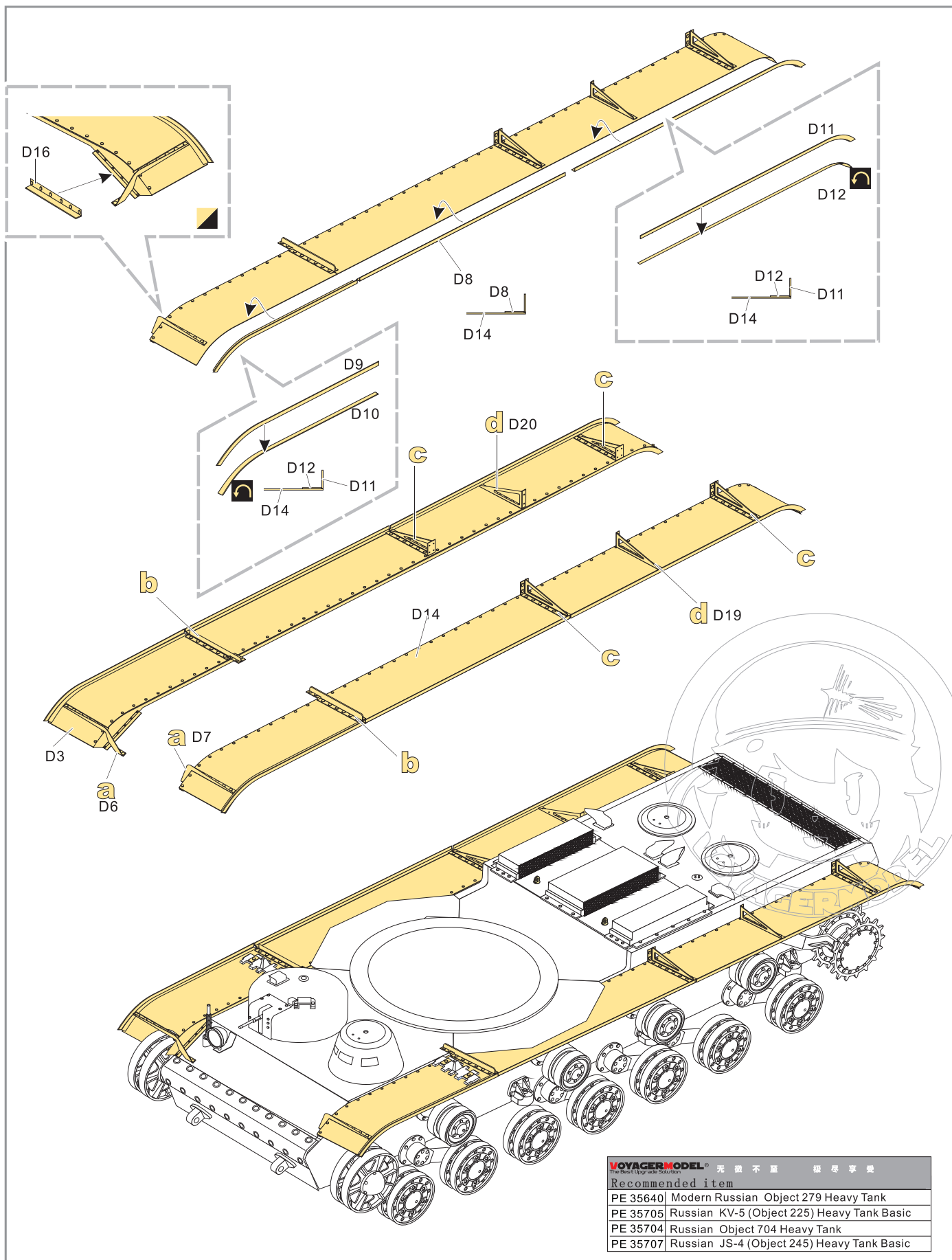
- 
 安装
install
- 
 折叠
bend
- A1**
 改造件零件编号
PE/resin part number
- B12**
 原零件编号
kit part number
- C22**
 被替换的原零件编号
replaced kit part number
- 
 另一侧相同制作
repeat on opposite side
- 
 切除
remove
- 
 打磨
grind off
- 
 弧度卷曲
radial bending
- x2**
 制作若干组
multiple assembly
- 
 选择安装
alternative
- 
 钻孔
drill
- 
 用胶棒制作
make from plastic rod


 用尖端在凹槽处冲压
use penpoint to press on the dent

蚀刻片零件内朝面向上
Put the part upside down
 用笔尖在凹槽处刺
Use penpoint to press on the dent

1/35 MILITARY MINIATURE VEHICLE UPGRADE SERIES PE35706



VOYAGERMODEL[®] 无微不至 极尽享受
The Best Upgrade Solution

Recommended item	
PE 35640	Modern Russian Object 279 Heavy Tank
PE 35705	Russian KV-5 (Object 225) Heavy Tank Basic
PE 35704	Russian Object 704 Heavy Tank
PE 35707	Russian JS-4 (Object 245) Heavy Tank Basic