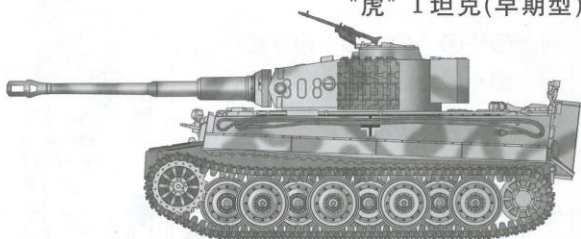


1:72 SCALE

ITEM NO.:07242

# Tiger I (Early Version)

## "虎" I 坦克(早期型)



### READ BEFORE ASSEMBLY:

- This kit is not recommended for inexperienced modelers or for children under 14 years of age
- Study and understand these instructions thoroughly before beginning assembly
- When needed, remove photo-etch parts carefully using a modeling knife or photo etch sprue cutter, being careful not to damage or lose small parts.
- Take extra care in handling photo etch parts in order to avoid injury
- Apply instant cement sparingly to photo etch parts where instructed
- Tools recommended(not included in kit):Plastic and instant cements,sprue cutters,long nose pliers,,modeling knife, small files, tweezers, pin vise & scissors. Soft cloth and sandpaper will also assist in construction
- Glue and paint are not included in the kit. Use plastic cement and hobby paints only. Color guide for purchasing paint is included in the kit.
- Keep out of reach of children. They must not be allowed to ingest small parts or handle plastic bags in any way.

### 装配之前仔细阅读

- 小心用模型锉刀锉平所有零件表面的注射浇口。
- 小心用刀片切下蚀刻片零件，不要遗失小零件。
- 用强力快干胶水粘合蚀刻片零件和金属轴。过量的快干胶水使用可能导致可动零件会粘住，小心涂胶。
- 取蚀刻片时应特别注意安全，防止利边划伤手指。
- 某些零件表面需贴水上贴纸，请选择在装配的同时进行。
- 推荐模型工具(自备)：胶水，水口剪刀，长咀钳，刀片，锉刀，镊子，钳，钻，剪刀，瞬间快干胶。
- 软布同砂纸同时也应该是必备工具。
- 请使用塑料胶水和油漆，模型内不含。
- 谨防小孩吸吮塑料零件，或者将塑料袋套在头上，制作时应将器材远离小孩接触。
- 本产品不适合14岁以下没有经验的模型爱好者。



Cyanoacrylate glue  
使用强力胶



Weight  
配重



Make hole  
钻孔



Cut / Remove  
切除



Bend  
弯曲



File / Sand  
锉平



Option  
选择



No cement  
不涂胶水



Decal  
贴纸

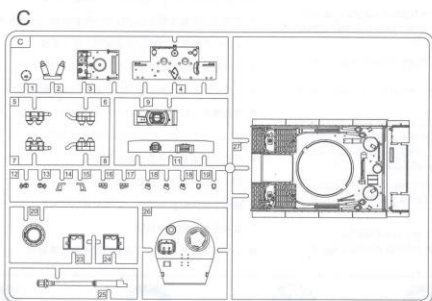
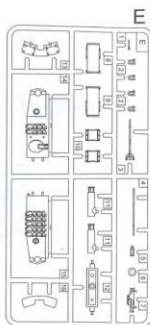
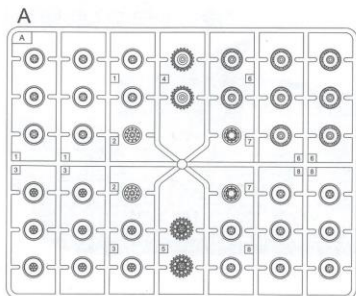
### 水贴纸的使用:

- 1.从水贴纸上剪下印花;
- 2.将印花放入温水中浸10秒,然后放在干净布上。
- 3.拿着印花纸板将印花移到模型上;
- 4.手指蘸水将印花移到适当的位置;
- 5.用软布轻压印花直至水干, 气泡消失。

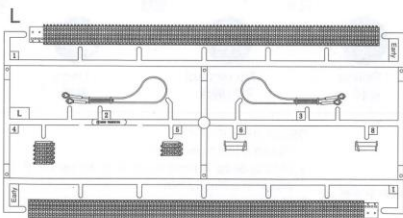
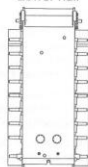
### DECAL APPLICATION

1. Cut off decal from sheet.
2. Dip the decal in tepid water 40°C for about 10 sec. and place on a clean cloth.
3. Hold the backing sheet edge and slide decal onto the model.
4. Move decal into position by wetting decal with finger.
5. Press decal gently down with a soft cloth until excess water and air bubbles are gone.
6. Allow decal to dry completely before handling model.

# 部品图 Parts



<<车底>>  
Lower hull

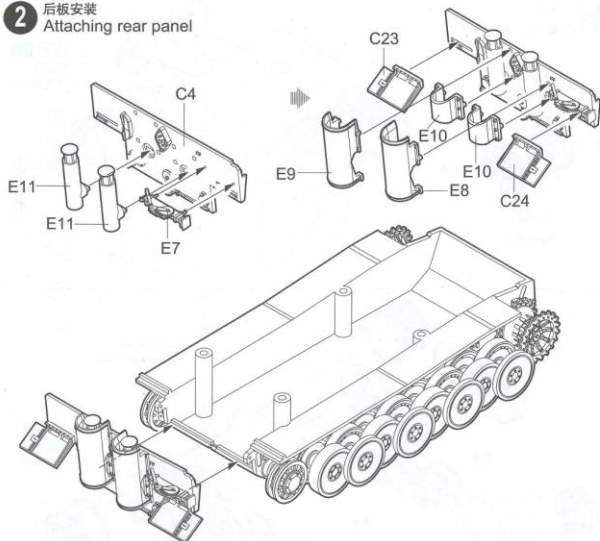


<<水貼>>  
Decal

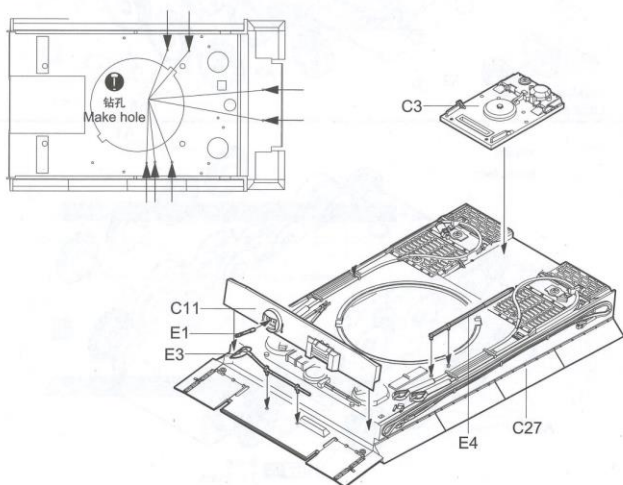




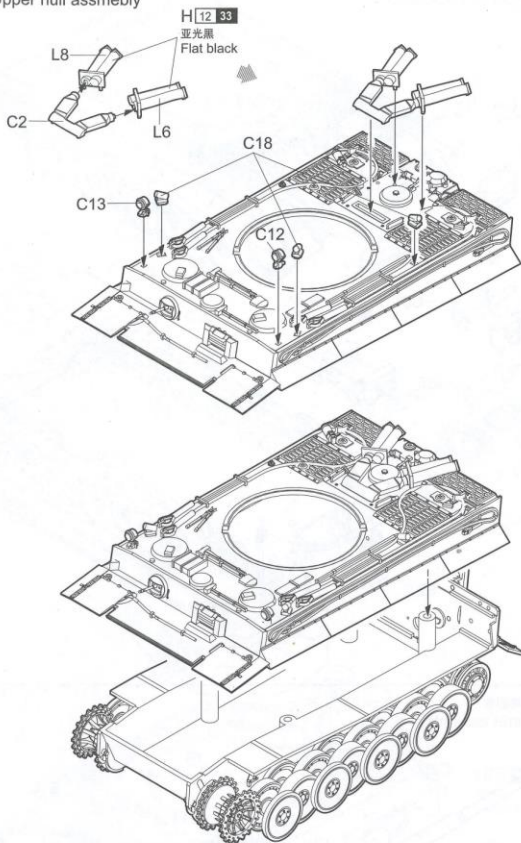
**2** 后板安装  
Attaching rear panel



**3** 车面组装  
Upper hull assembly

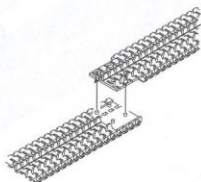


## 4 车面组装 Upper hull assembly



## 5 履带联接 Track construction

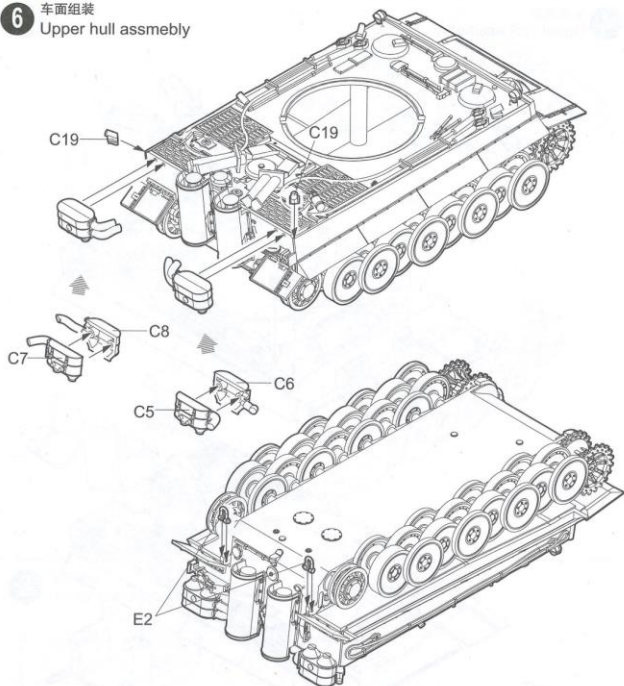
- \* 履带可用塑料胶水粘合。
- \* 履带可用模型油漆喷涂。
- \* 若履带断裂，用细丝线固定。
- \* The tracks in this kit can be glued using plastic cement.
- \* The tracks can be painted using plastic paints.
- \* If track is broken strengthen with staples or thread.



6

车面组装

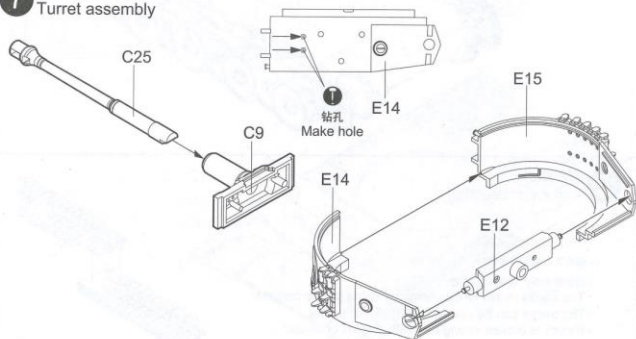
Upper hull assembly



7

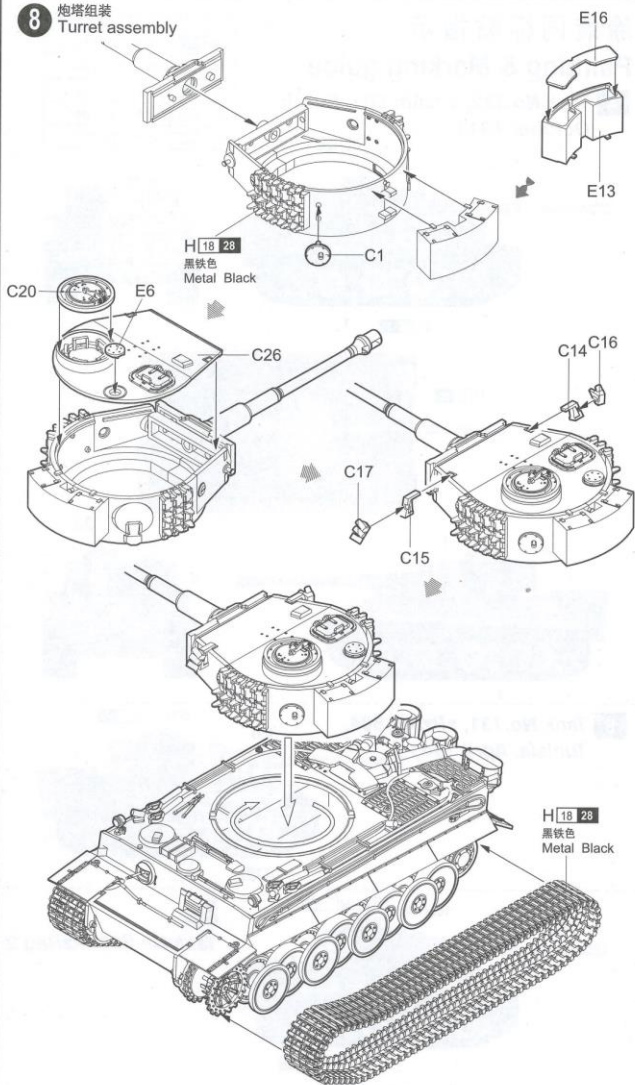
炮塔组装

Turret assembly



**8**

炮塔组装  
Turret assembly



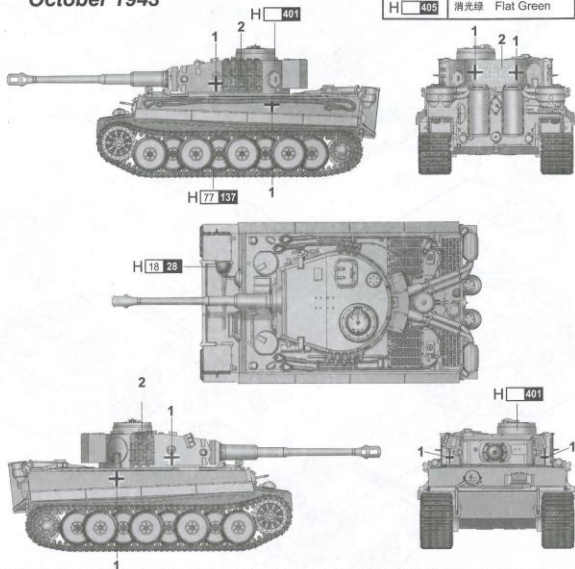
# 涂装同标贴指示

## Painting & Marking guide

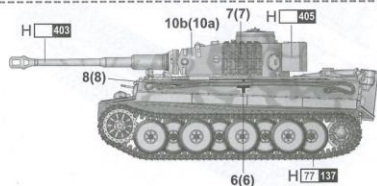
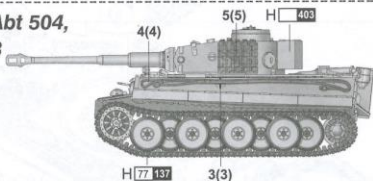
使用 MR.HOBBY 涂料 Mr. Color Used

H 18 28	黑铁色 Metal Black
H 77 137	胎黑色 Tire Black
H 401	消光灰 Flat Grey
H 403	消光黄 Flat Yellow
H 405	消光绿 Flat Green

### A Tank No.332, sPzAbt 503, Russia, October 1943



### B Tank No.131, sPzAbt 504, Tunisia, April 1943



### C Tank No.S33, PzReg 2

□ AQUEOUS HOBBY COLOR

■ Mr. COLOR