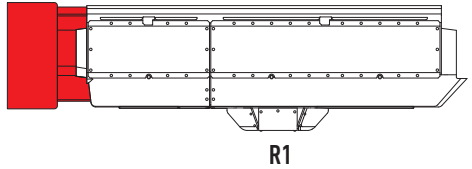
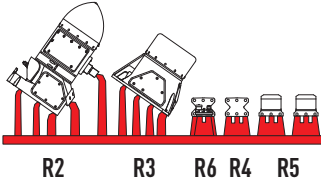
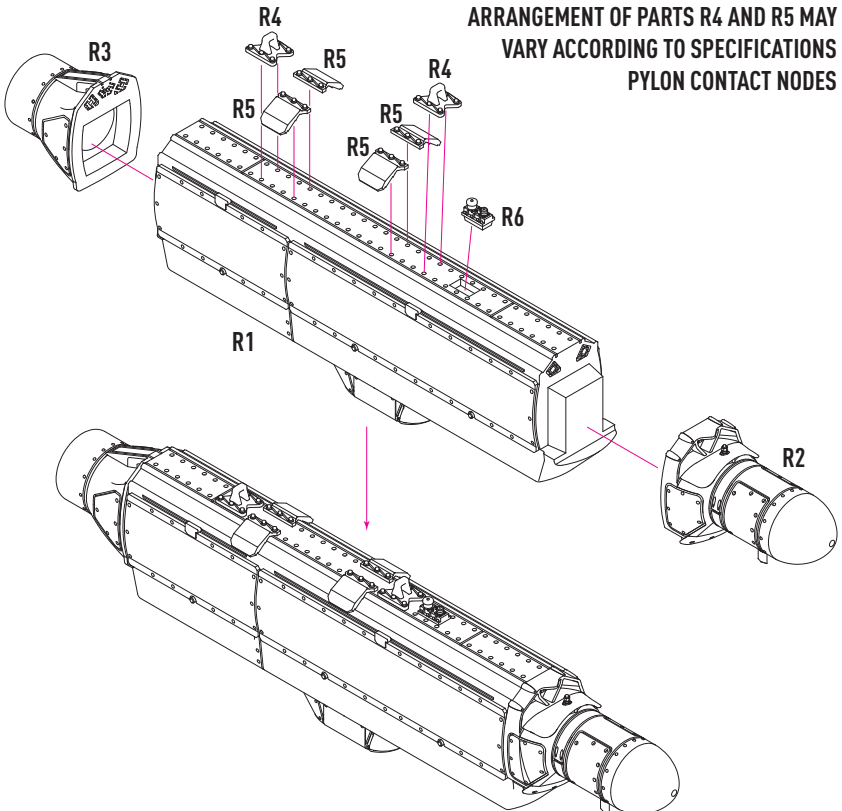


CUT

USE A SAW TO REMOVE SUPPORTS
FROM 3D PRINTED PARTS

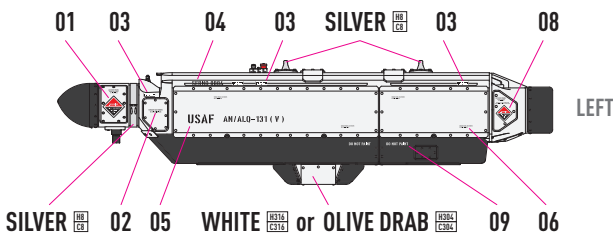
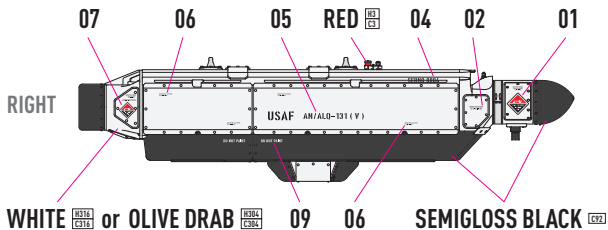


ARRANGEMENT OF PARTS R4 AND R5 MAY
VARY ACCORDING TO SPECIFICATIONS
PYLON CONTACT NODES



PAINT INSTRUCTION V1

COLORS	CORNF / ABBREV	CORNF / MIL COLOR	FEDERAL STANDARD
WHITE	H316	C316	FS 17875
SILVER	H8	C8	
RED	H3	C3	
SEMIGLOSS BLACK		C92	



PAINT INSTRUCTION V2

COLORS	CORNF / ABBREV	CORNF / MIL COLOR	FEDERAL STANDARD
OLIVE DRAB	H304	C304	FS 34087
SILVER	H8	C8	
RED	H3	C3	
GRAY	H317	C317	FS 36231

