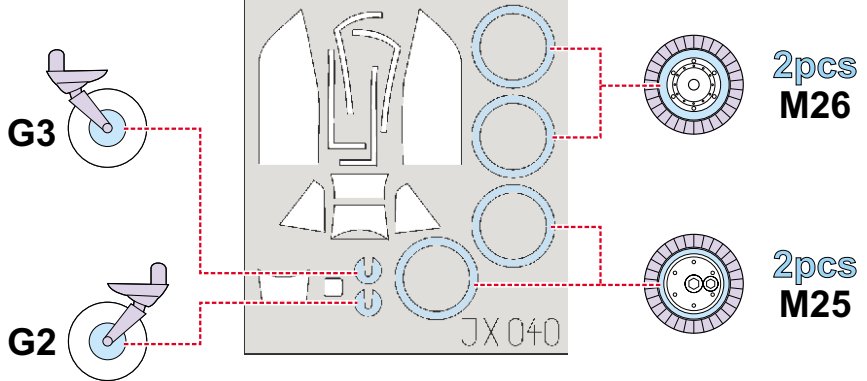
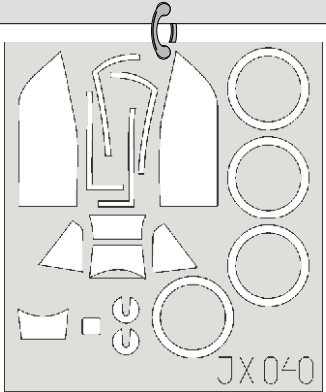


eduard  
MASK

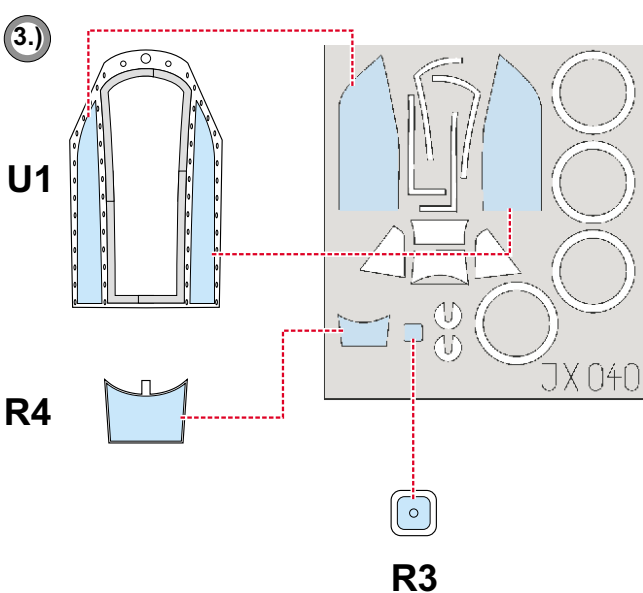
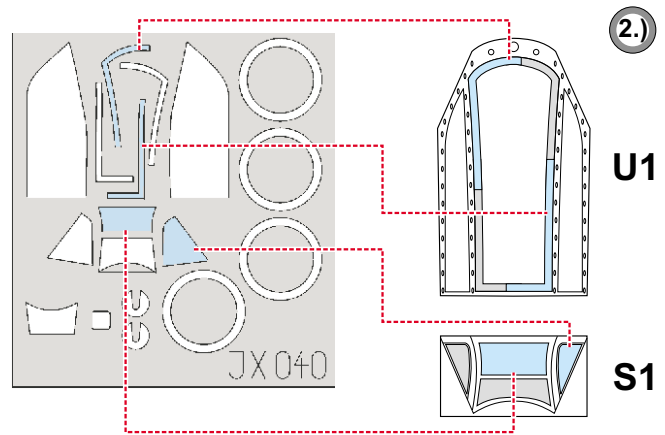
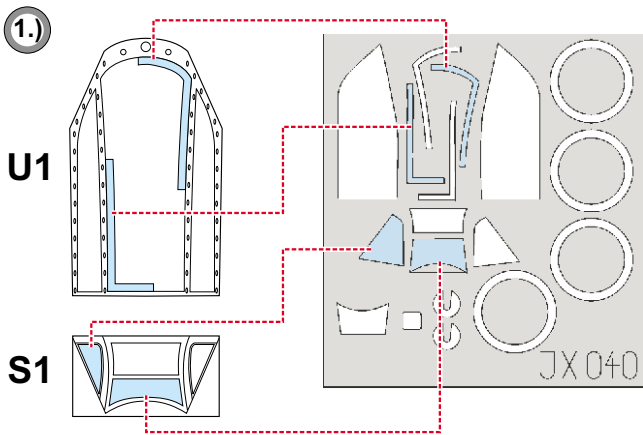
# Bf 109G-14 1/32

The die-cut mask for accurate canopy frame painting of the  
*Hasegawa* scale 1/32 KIT

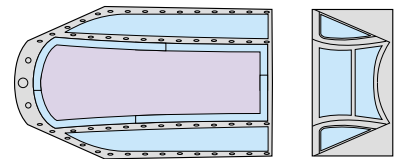
## JX 040



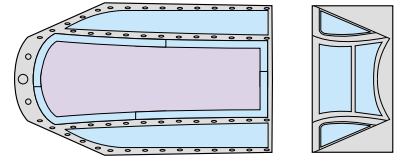
— - LIQUID MASK



4.) INTERIOR COLOR



5.) CAMOUFLAGE COLOR



— - LIQUID MASK

REFERENCES: Aero Detail #5 - Bf109G  
MBI/Sagitta Bf 109G a K