

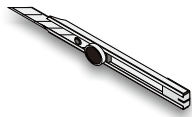
Sd.kfz.231/232 6Rad

	切除阴影部分 Cut away		安装箭头 Install arrow		注解一 Note 1
	填补 Use filler		弯折箭头 Fold arrow		根据喜好选择安装 Optional
	弧度弯折 Roll	00	蚀刻片零件标号 Number of PE parts		制作所示若干组 Make some pcs
	钻孔 Make a hole	OO	原套件零件标号 Number of original parts		使用圆棒制作 Use ABS rod
	另一侧相同制作 Repeat opposite side	OO	被替换的套件标号 Number of replaced parts	PE UPDATE [For ITA 64331]	

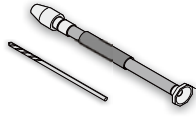


1/35 MILITARY MINIATURE VEHICLE PE UPGRADE SERIES NO.65

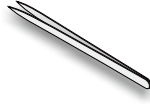
RECOMMENDED TOOLS 推荐使用工具



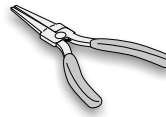
美工刀
Modeling knife



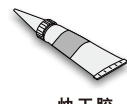
笔钻
Pin vise



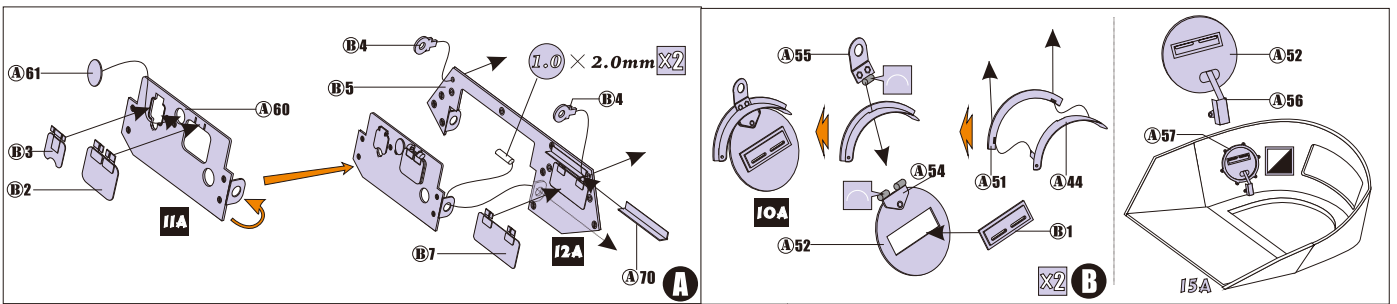
镊子
Tweezers



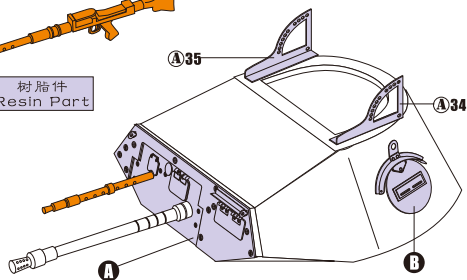
尖嘴钳



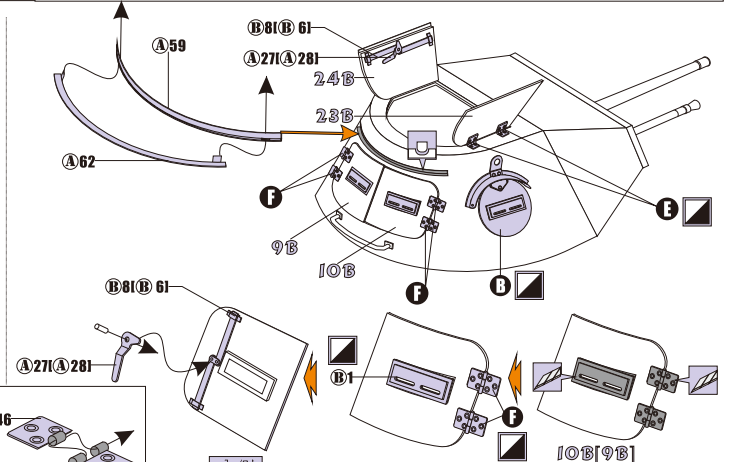
快干胶
Super glue



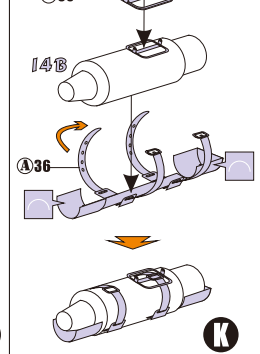
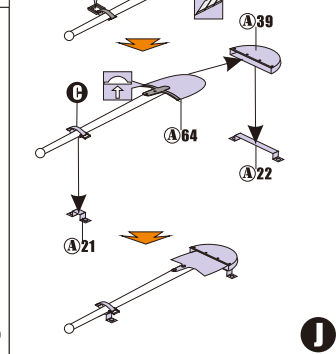
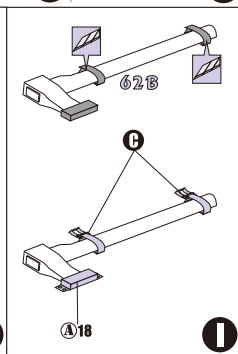
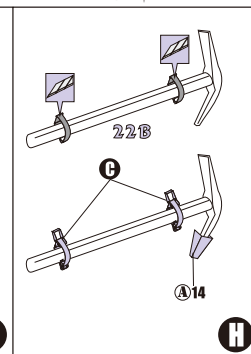
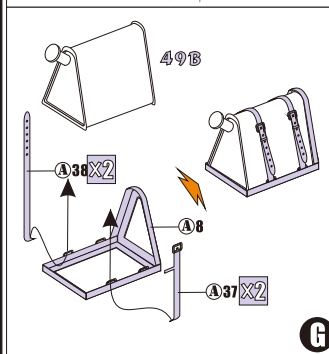
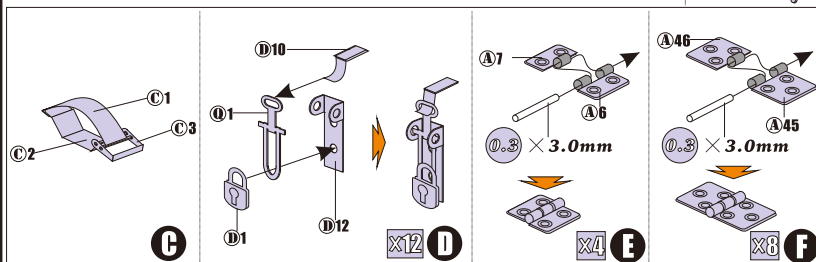
树脂件
Resin Part

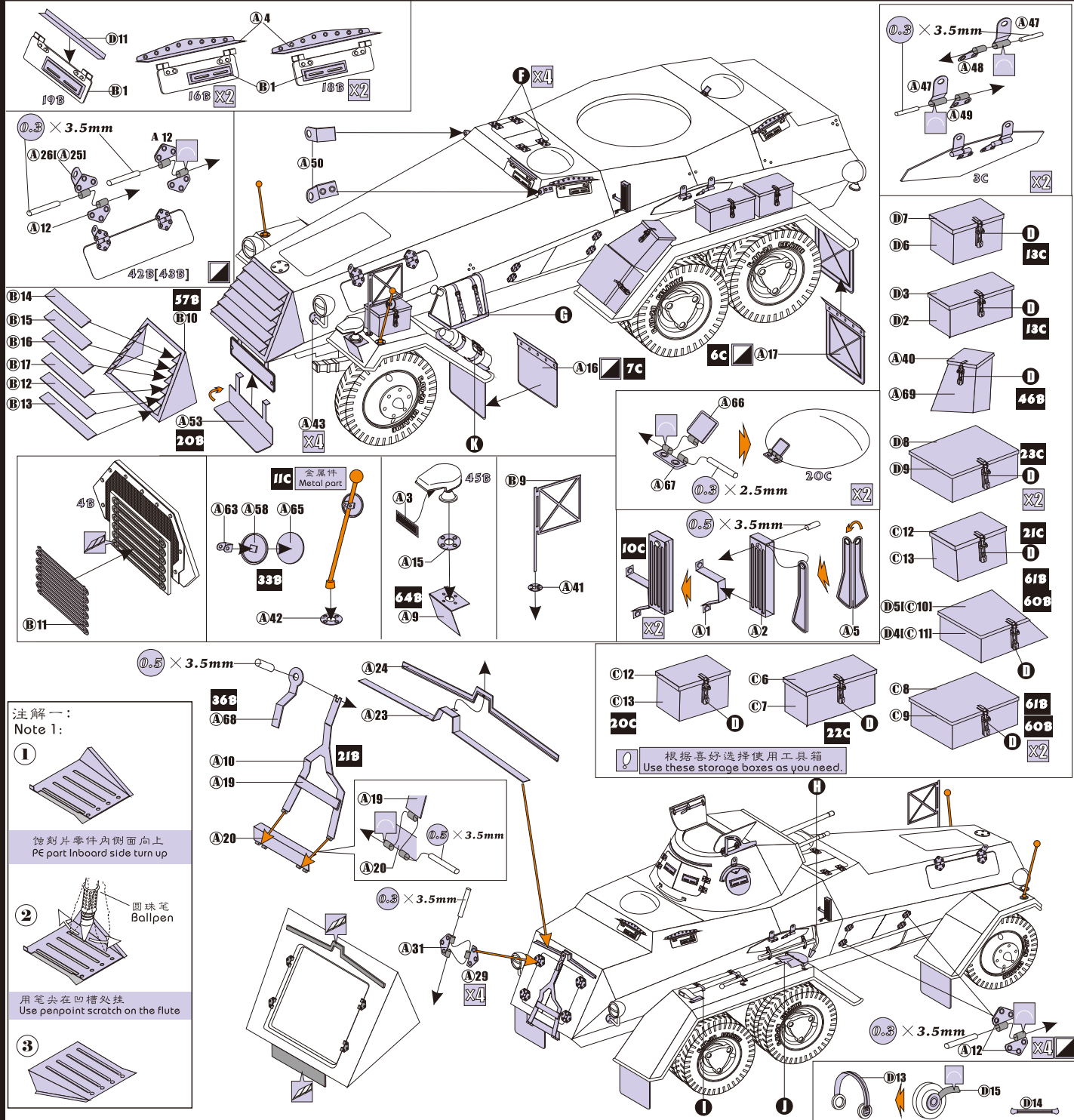


制作Sd.kfz.231时使用A34(A35)
When make Sd.kfz.231 use A34(A35)



内侧
Inside





注解一：
Note 1:

1

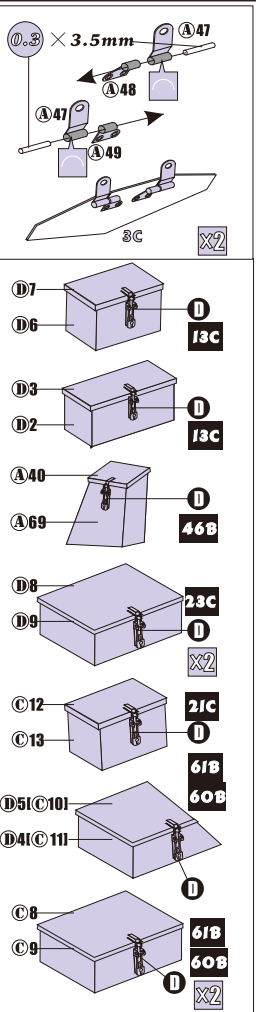
蚀刻片零件内侧面向上
PE part Inboard side turn up

2

圆珠笔
Ballpen

用笔尖在凹槽处划
Use penpoint scratch on the flute

3



根据喜好选择使用工具箱
Use these storage boxes as you need.

耳机
Headphone

自制
Make it by yourself

话筒
Microphone

根据喜好使用乘员装备品
Use the crew headphone and microphone as you like

沃雅模型出品示宽棒系列

VoyagerModel Width Indicator

- ME-A001**
Sd.Kfz 11
Sd.Kfz 250
Sd.Kfz 251
- ME-A002**
Sd.Kfz 7 8Ton Half-Track Series
Sd.Kfz 232 6 Rad
- ME-A003**
Sd.Kfz 232 8 Rad
Sd.Kfz 234/1 Series
Sd.Kfz 234/2 PUMA
Sd.Kfz 231
Sd.Kfz 223
Sd.Kfz 222
Benz L3000
- ME-A004**
Sd.Kfz 9 18Ton Half-Track 'FAMO'
Sd.Kfz 9 Series

