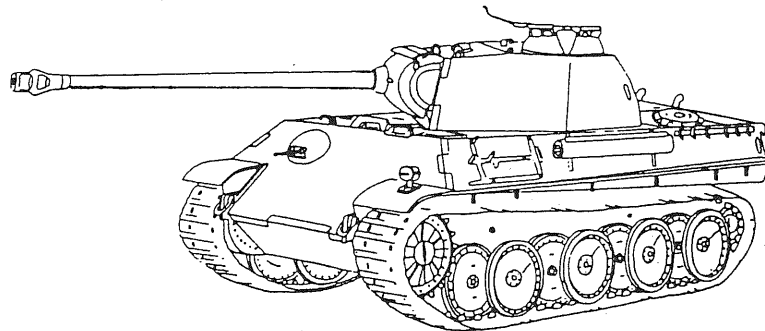
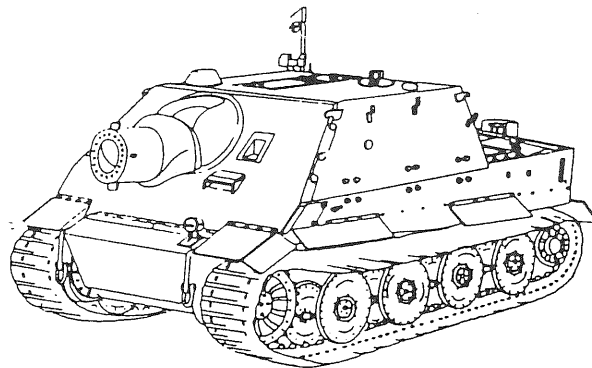


# GERMAN PANZER IV AUSF J

TO SUIT TAMIYA KIT NO: 35181

ITEM NO: 0111.

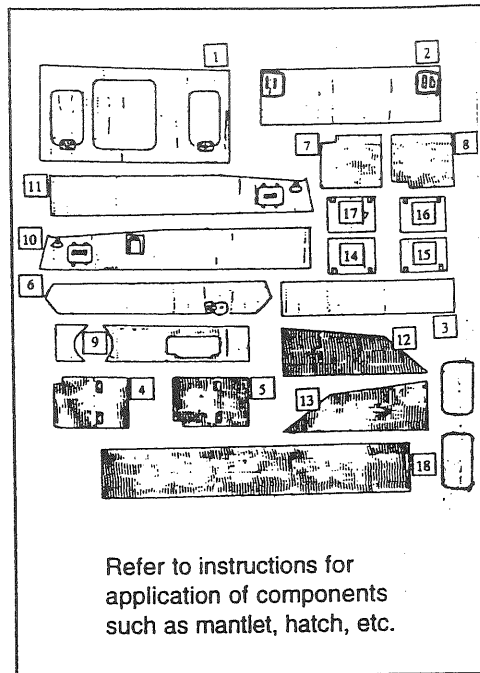


**ATTENTION**

When working with resins and the adhesives required for construction, always work in a well ventilated area.

**READ BEFORE ASSEMBLY**

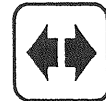
1. For easy zimmerit application follow these instructions, in conjunction with kit instructions when building model.
2. With point of a sharp hobby knife, carefully trim away any excess as well as areas around hatches, exhaust cut-outs, and locating holes etc. whilst panels are still attached to plastic sheet.
3. Carefully lift zimmerit panels from plastic sheet with a thin flat object such as a blunt rounded knife blade or spatula, only when needed.
4. Test fit each panel separately before adhering to model, this is to ensure exact fit.
5. Use only two part five minute epoxy as this allows sufficient working time for optimal alignment of panels. (see pg 4)
6. When zimmerit panels cover locating holes, drill matching holes in zimmerit but only after zimmerit has been applied to model.



cut



drill



both sides



test fit

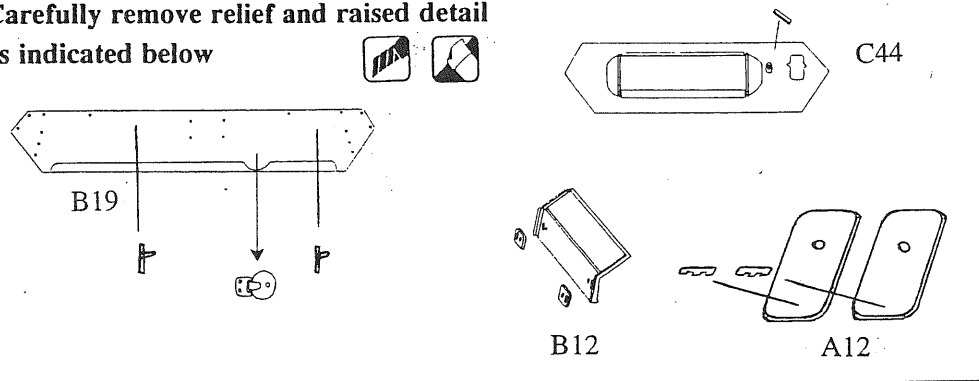


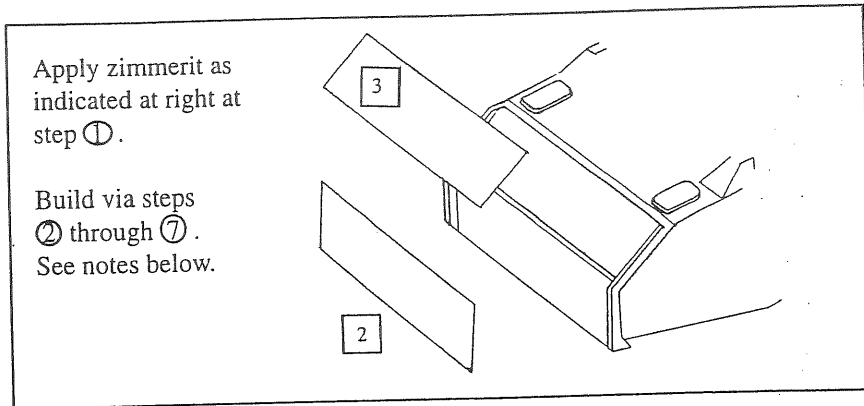
sand



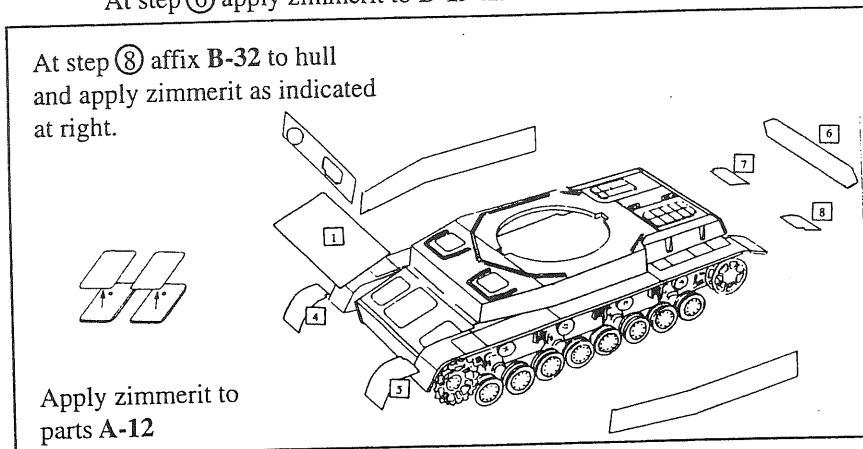
optional

Carefully remove relief and raised detail as indicated below



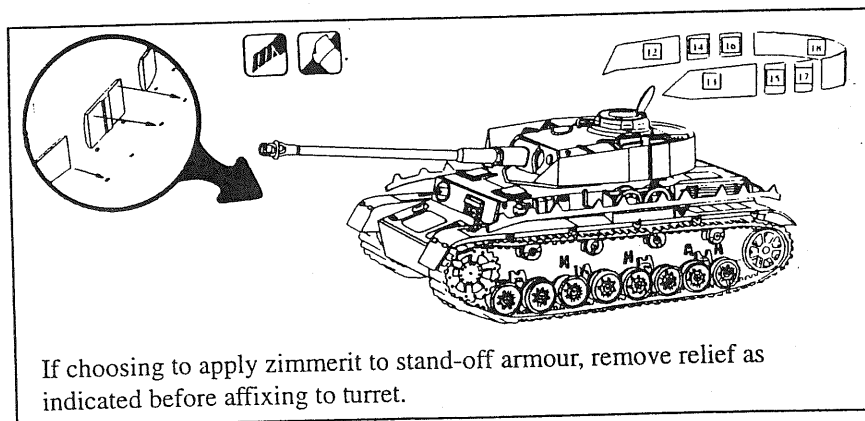


Note: At step ② replace B-18 with zimmerit part.  
At step ⑥ apply zimmerit to B-19 and B-10 and B-11.

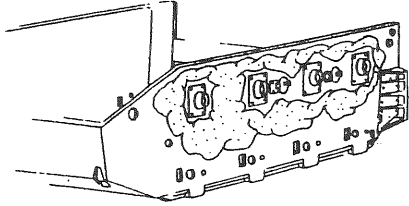


Build model to completion.

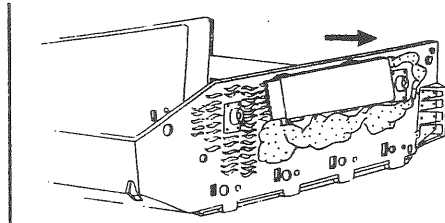
Note: At step ⑬ replace kit part C-44 and C-18, C-19 and C-12 with respective zimmerit parts. (gun mantlet should be drilled through at this point to accept gun barrel).



Application of zimmerit  
to lower hull sides.



Apply a thin layer of either modelling putty or 2-part epoxy putty to desired shape.



Using the provided tool with "teeth" facing upwards, slide the tool approximately 5mm perpendicular to the surface. Start again underneath to create a complete row. Begin the next column when the first left off.

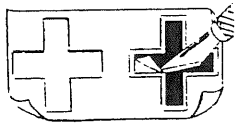
### ZIMMERIT APPLICATION

1. For a better adhesion lightly sand all surfaces with fine grit wet and dry.
2. Mix two part liquid epoxy and paint onto model with stiff brush leaving only a fine film of glue. (Use a good quality, wide bristle brush and place immediately into thinners to clean after each application.)
3. Apply zimmerit by pressing firmly onto surface and align.
4. When correctly aligned, remove bubbles in the same fashion as with decals: prick with sharp instrument and press flat. Ignore very small bubbles.
5. Firmly press zimmerit into interlocking armour panels.

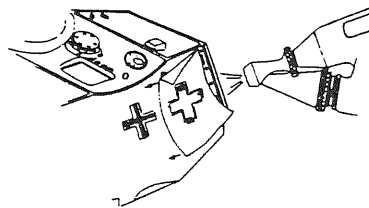
### FINISHING

1. With thin flat object go over all edges to make certain zimmerit is not lifting. Stick down with super glue if required.
2. Lightly sand down edges where needed to maintain correct contour.
3. Fill fine leading edges with a thin smear of modelling putty and lightly sand.
4. On major edges where panels meet, fill with either modelling putty or 2 part epoxy putty and use supplied tool to maintain continuity of pattern.
5. This kit has been produced in the same colour as original zimmerit. After painting pick away paint around areas of damage for optimum authenticity.

### NATIONAL CROSSES AND UNIT INSIGNIA



Make stencils by carefully cutting out crosses or insignia from decal sheet.



Air brush first colour. When dry align second colour stencil and apply. Note: always tape stencil directly to surface