



A-10C Operation Inherent Resolve

48030



FILL HOLE
FORO PIENO
SCHLIESSEN
EMPUJE EL AQUJERO
ZAMKNAĆ OTWÓR
BOUCHER LE TROU
ZAKRYJTE OTVOR



OPEN HOLE
FORO APERTO
OFFNEN
HACER AQUJERO
WYKONAĆ OTWÓR
FAIRE UN TROU
VYVRTAT OTVOR



DECAL
DECALCOMANIE
ABZIEHBILD
CALCOMANIA
KALKOMANIA
DECALCOMANIE
OBTISK



REMOVE
RETIRER
ENTFERNEN
CORTAR
WYCIĄĆ
SEPARARE
ODSTRANIT



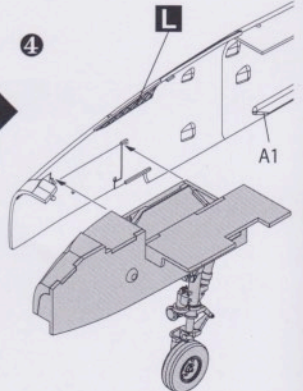
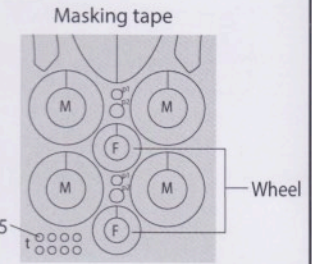
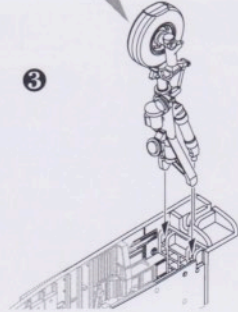
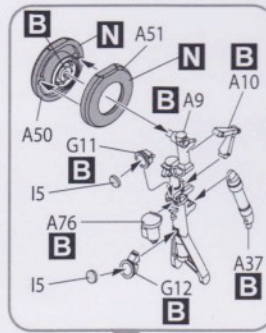
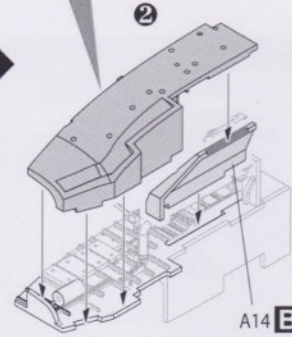
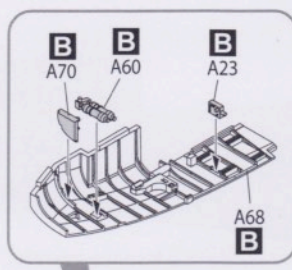
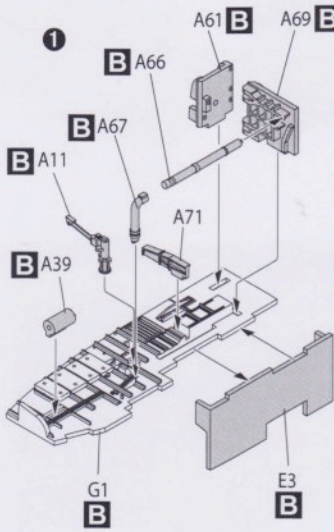
OPTION
FACULTATIF
NACH BELIEBEN
HACER AQUJERO
DO WYBORU
FACOLTATIVO
VOLBA



DO NOT CEMENT
NE PAS COLLER
NICHT KLEBEN
NO PEGAR
NIE SKLEJAC
NON INCOLLARE
NELEPIT

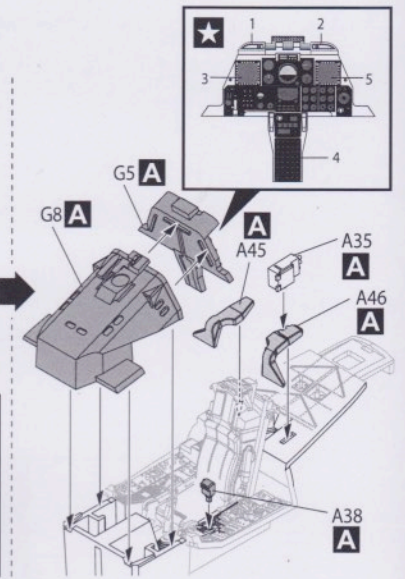
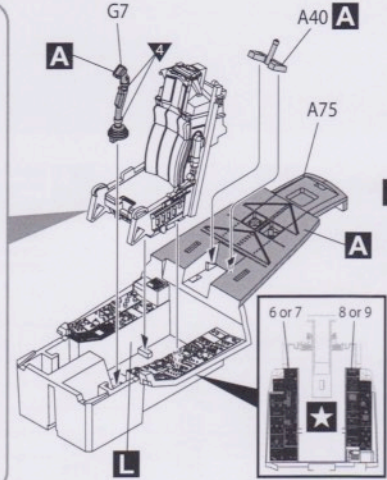
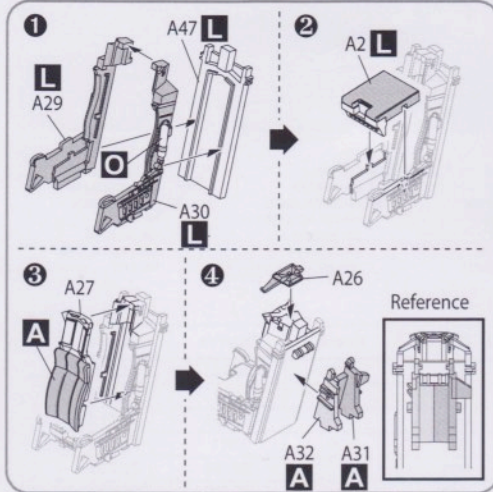
Color Chart		AK Interactive	AMMO	HATAKA	Mr. COLOR	Revell	TAMIYA	Vallejo
Flat Black	A	11029	046	100	033	108	XF-1	70.950
White FS17875	B	11868	047	049	316	104	X-2	71.279
Steel	C	11210	191		028	191	XF-56	77.712
Silver	D	11209	195	003	008	190	X-11	77.724
Burnt Iron	E	AK485	187	016	061		XF-84	77.721
Clear Red	F	11213	093		047	731	X-27	70.934
Clear Blue	G	11214	098		050	752	X-23	70.938
Olive Drab	H	11860	926	018	304	161	XF-62	71.316
Khaki Green	I		113	064	054	165	XF-51	70.881
Khaki	J	11127	071	084	055	189	XF-49	71.287
Tire Black	K	11027	033	040	137	106	XF-85	70.862
Dark Gull Gray FS36231	L	11884		044	317	179	XF-54	71.277
Dark Ghost Gray FS36320	M	11887	208	035	307	374	AS-25	71.120
Light Ghost Gray FS36375	N	11888	203	037	308	143	AS-26	70.615

1

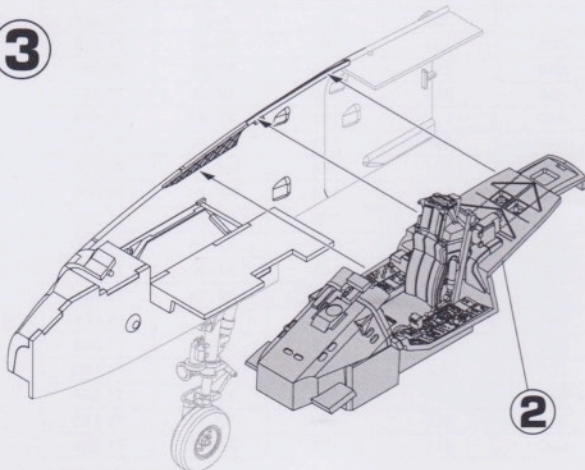


2

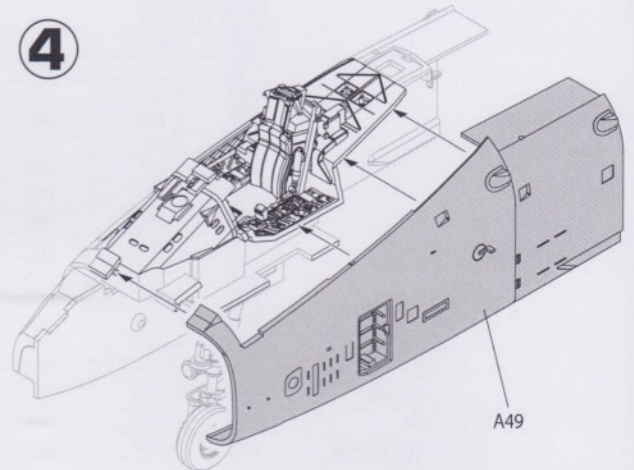
* Assemble in numerical order starting with **1**



3

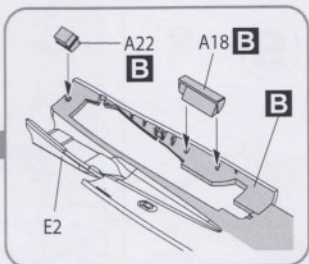


4

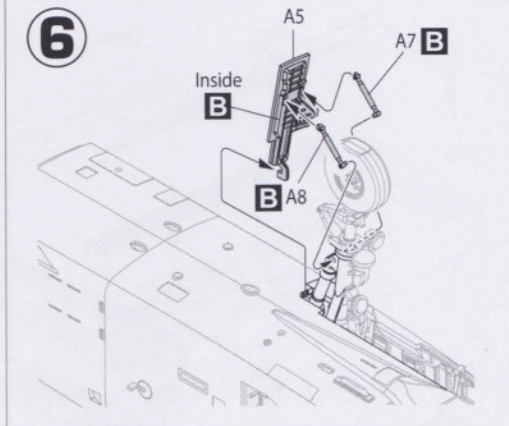


5

g
25g

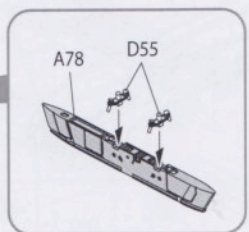
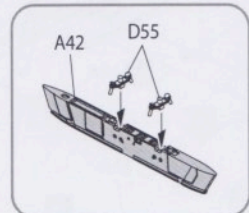
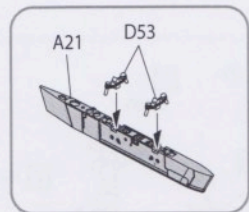
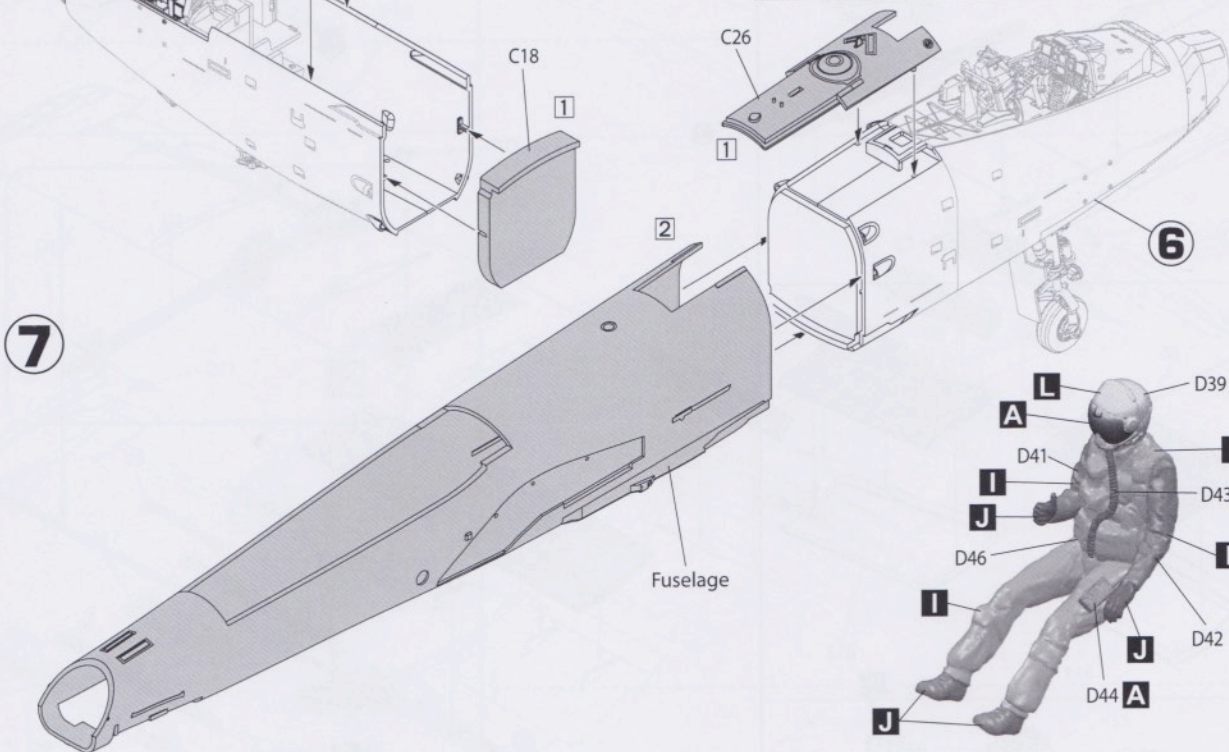


6

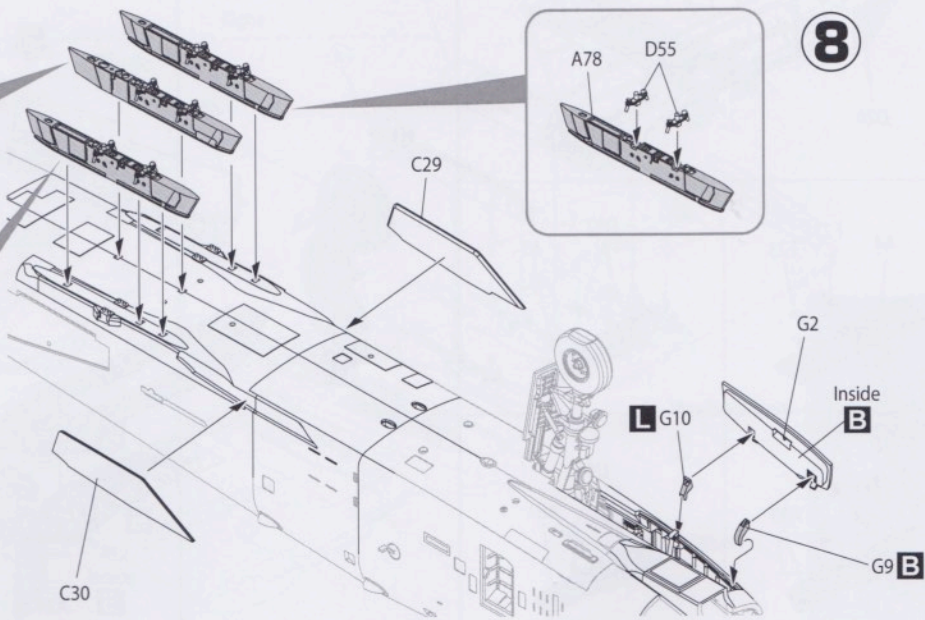


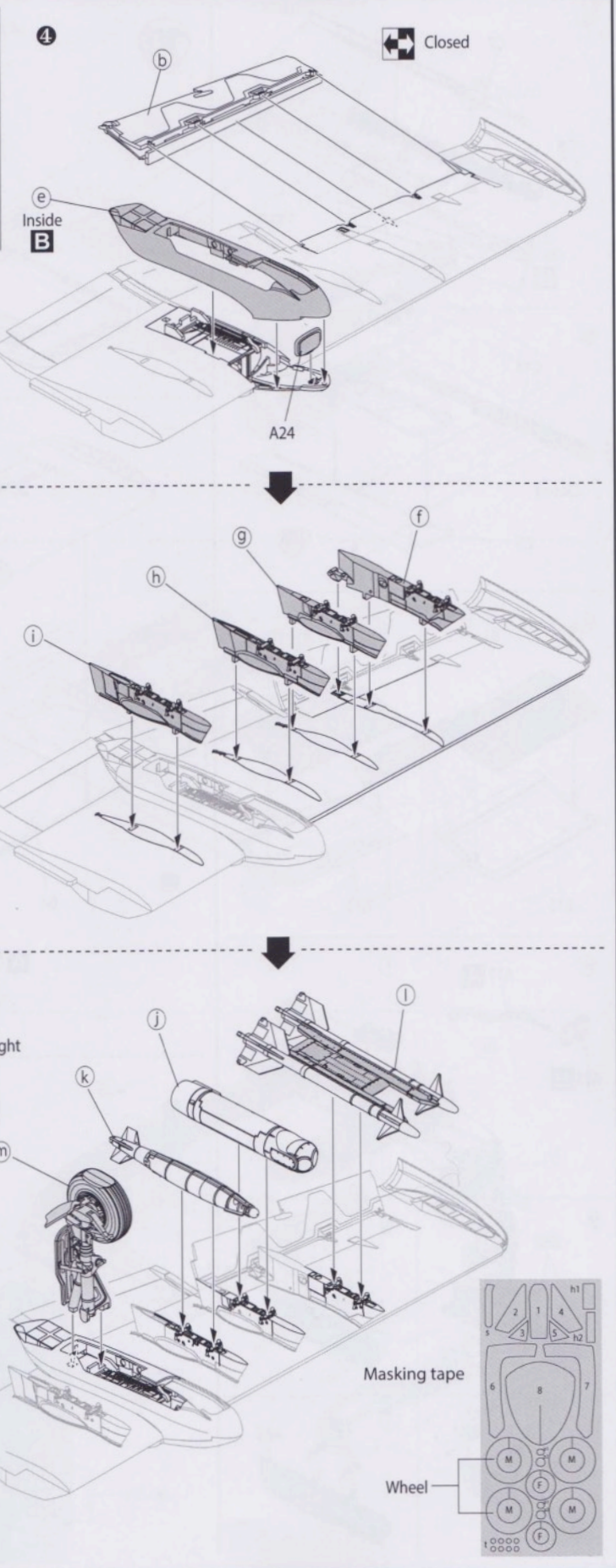
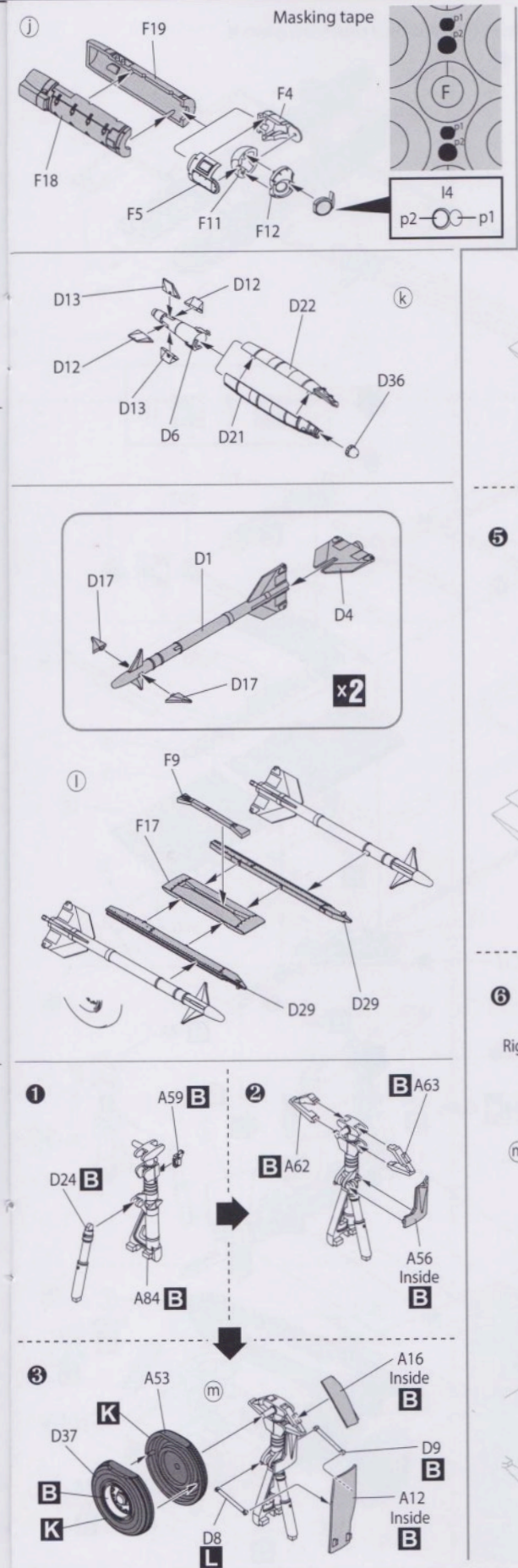
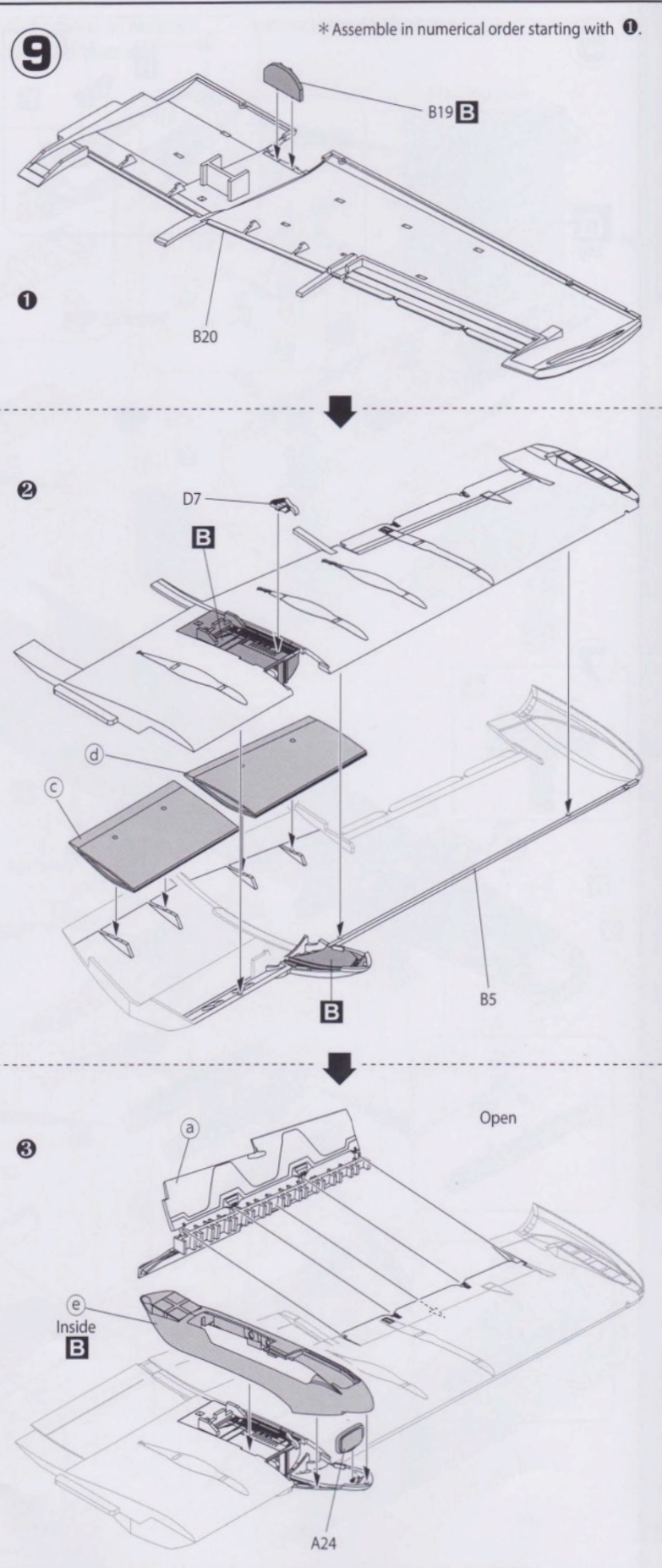
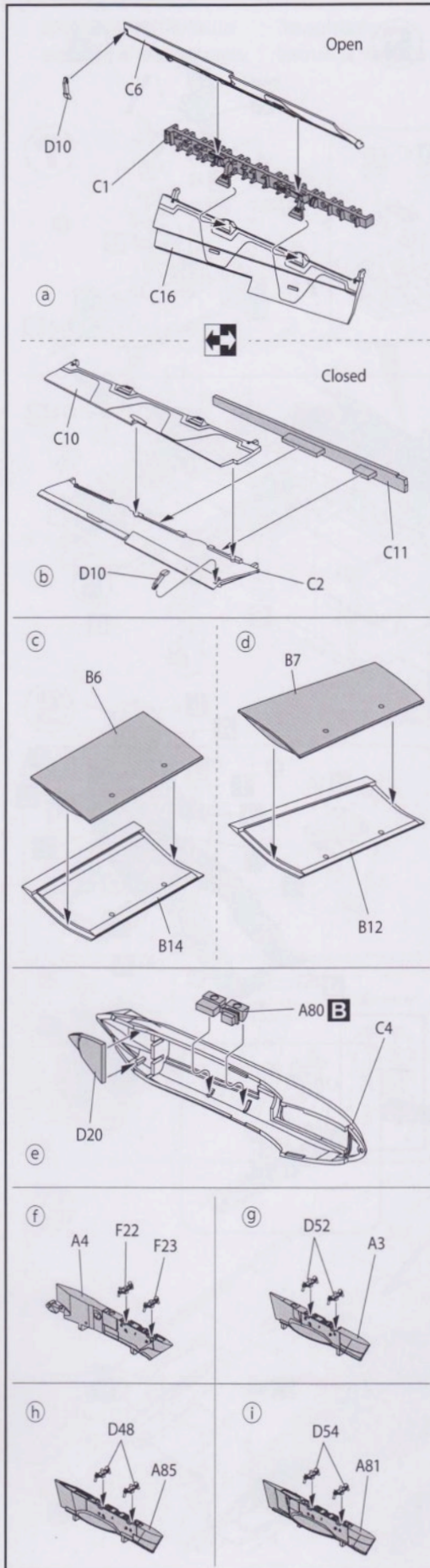
*Attach **1** first.

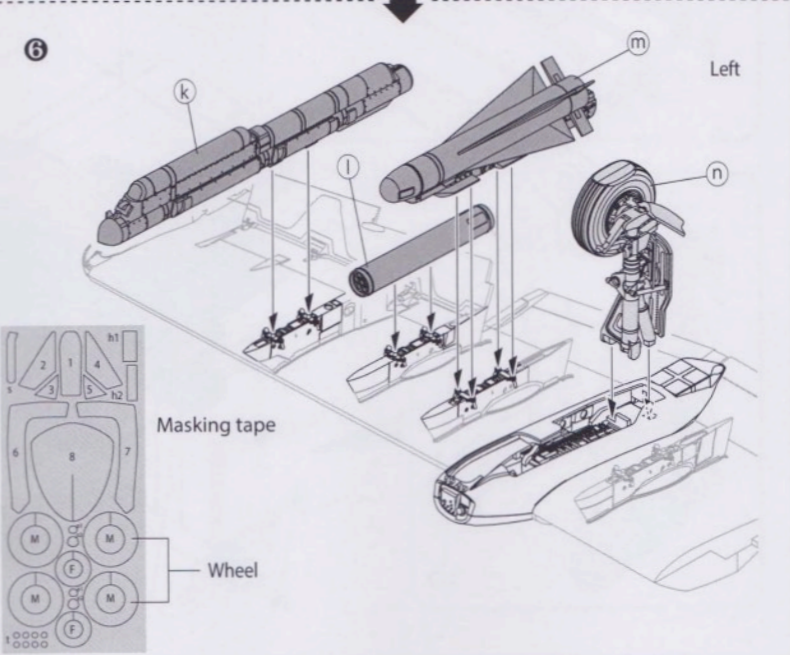
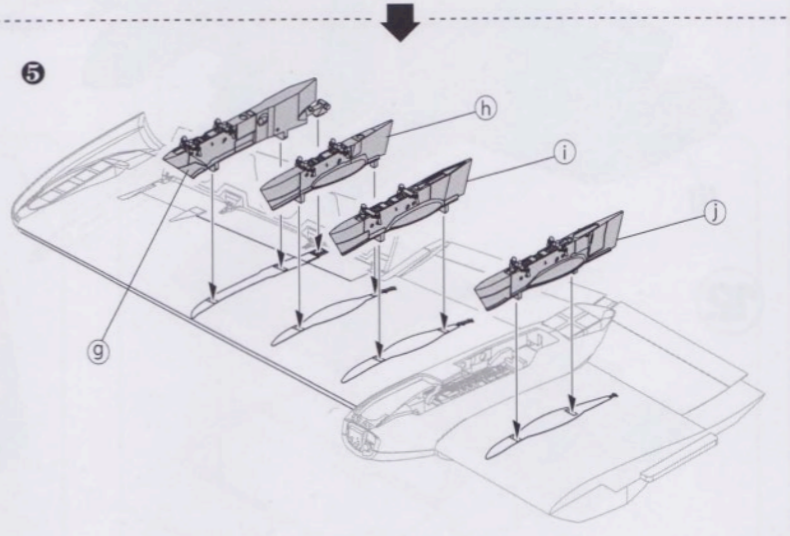
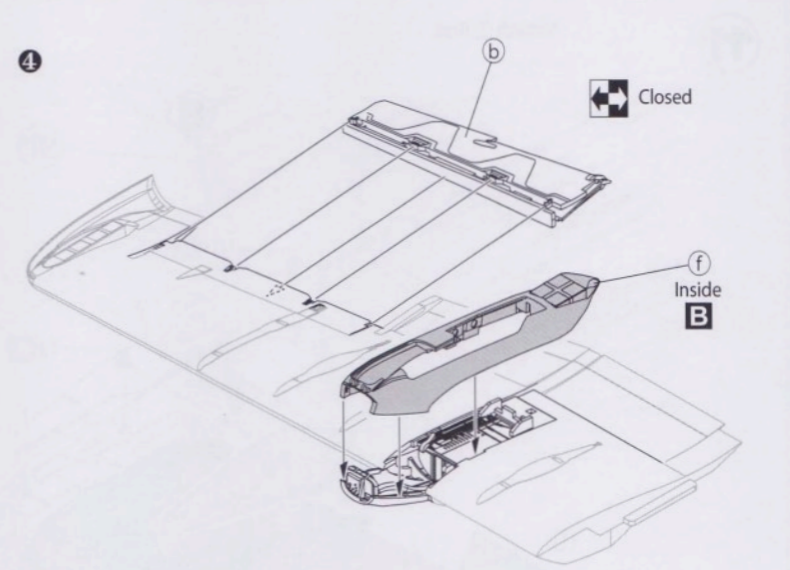
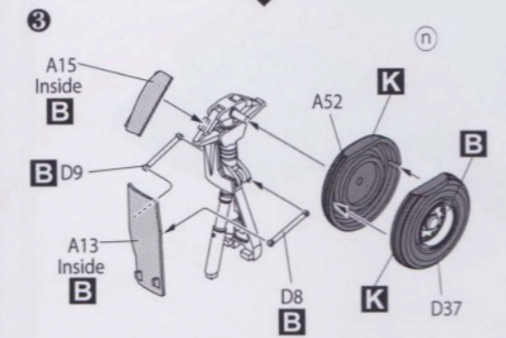
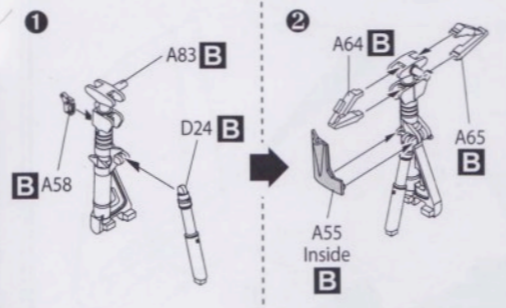
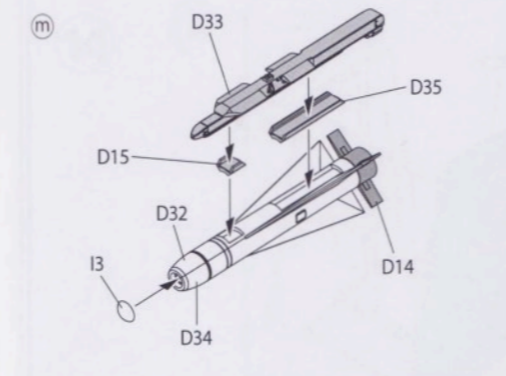
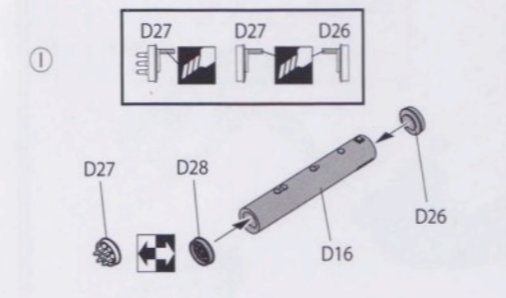
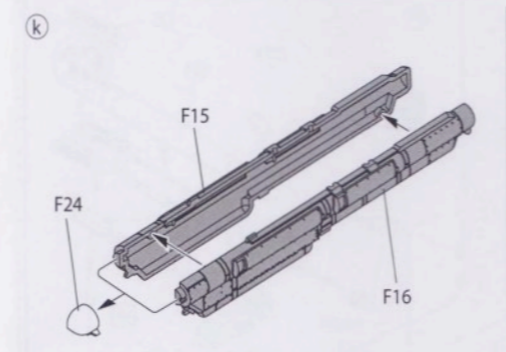
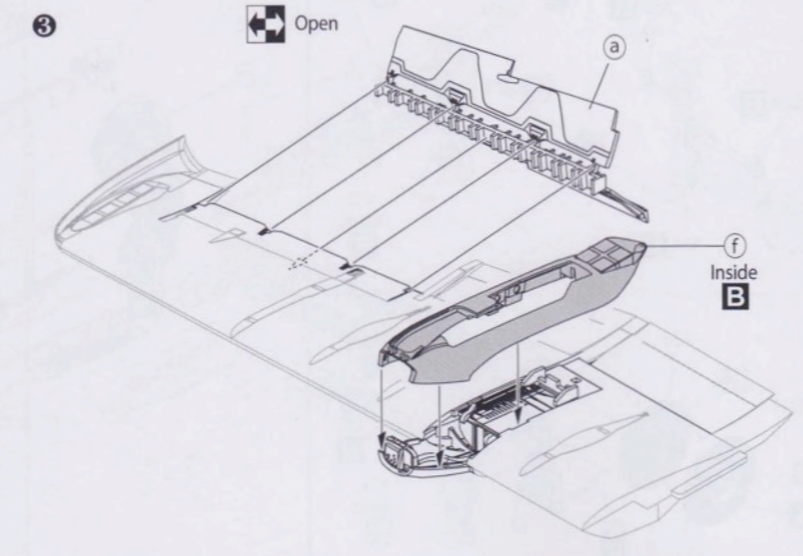
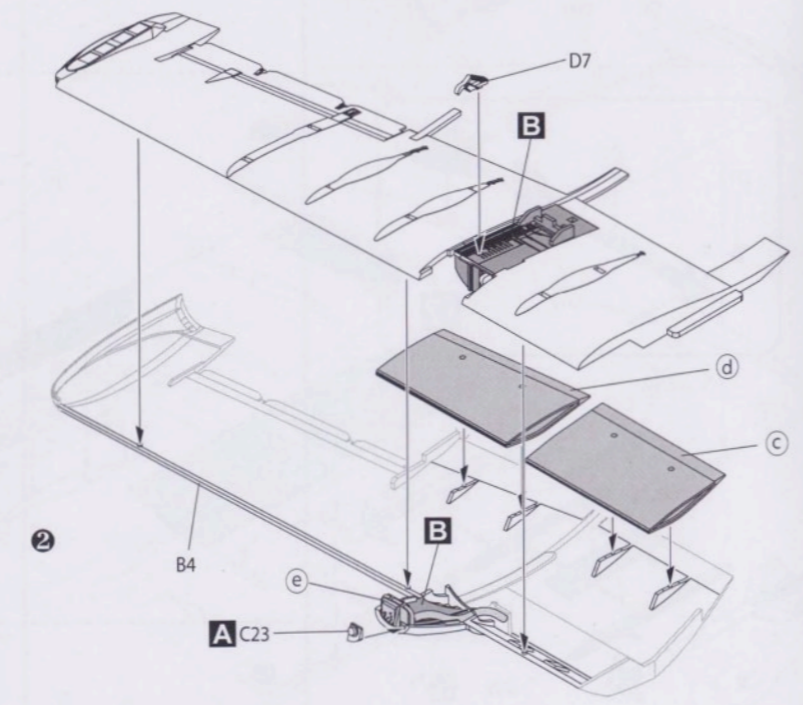
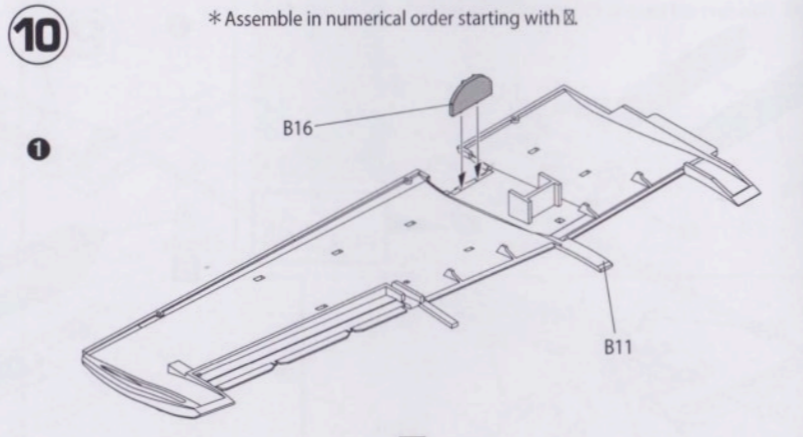
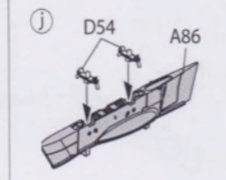
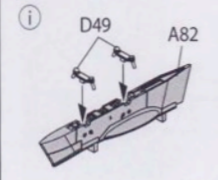
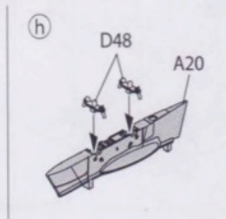
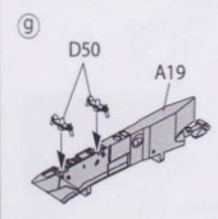
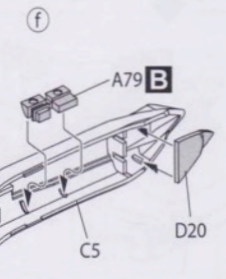
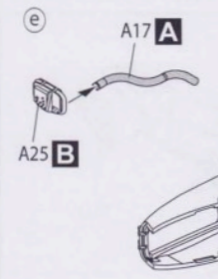
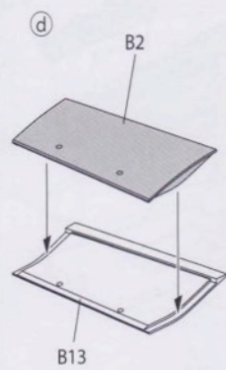
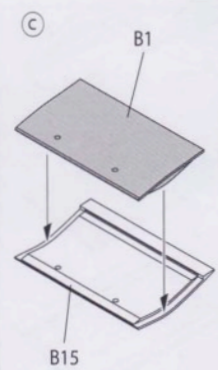
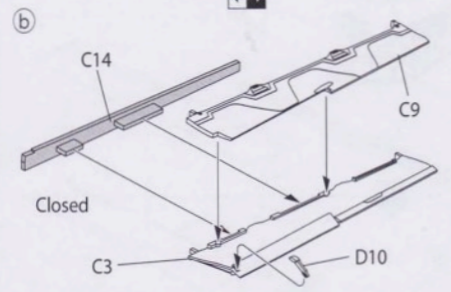
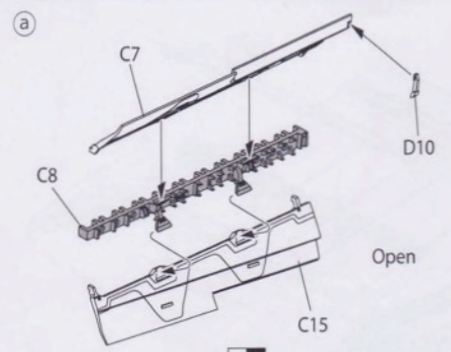
7



8

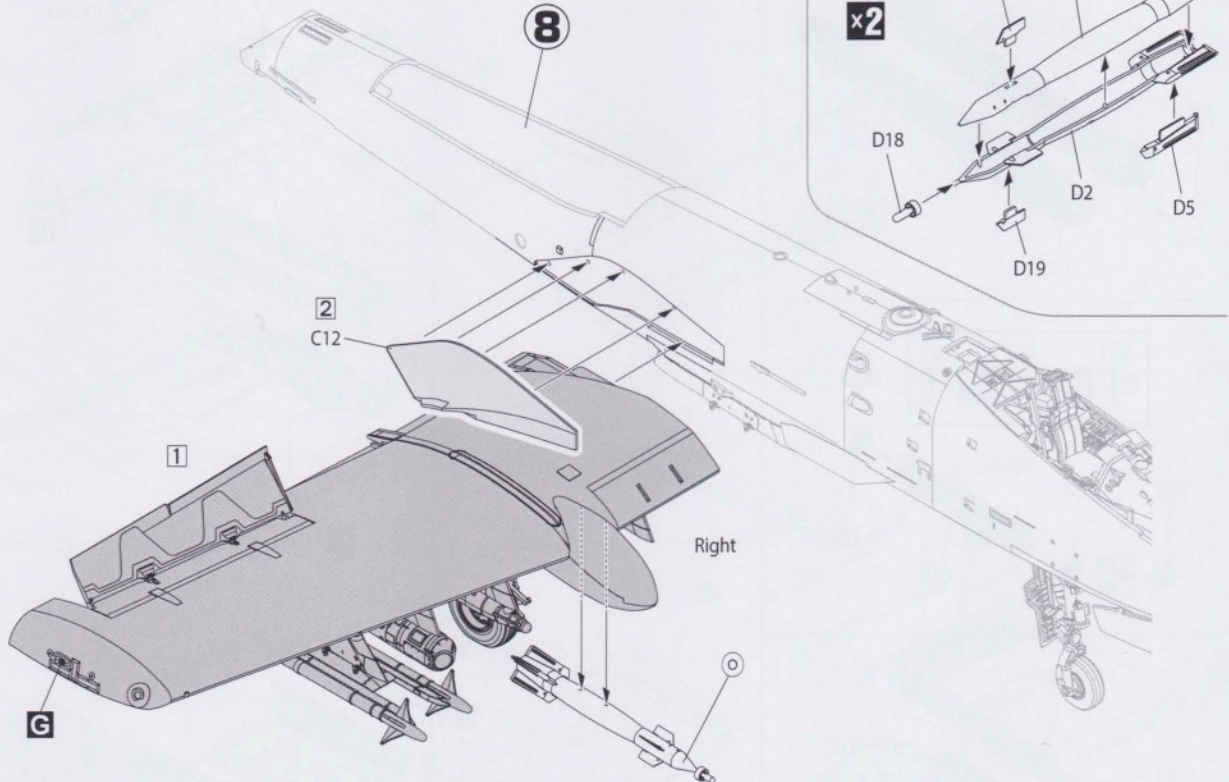






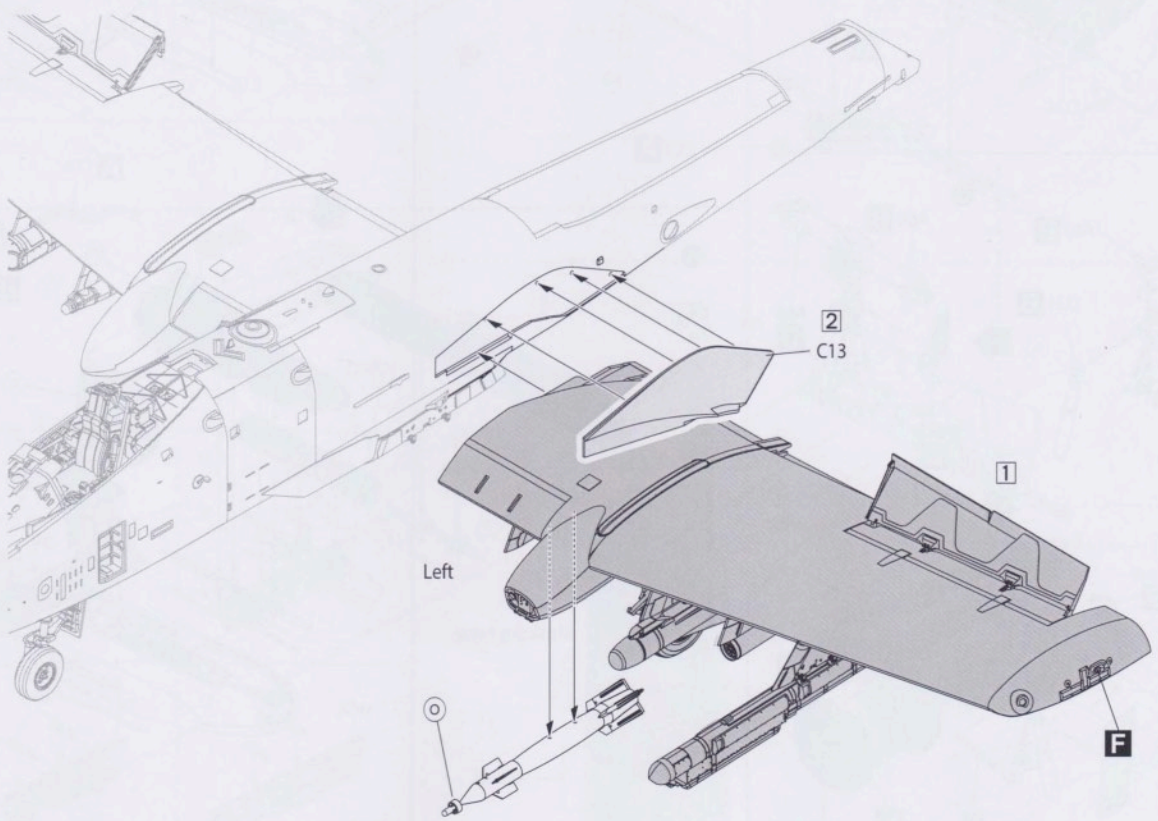
11

*Attach 1 first.

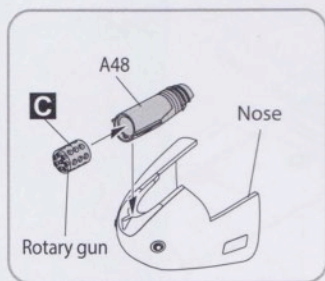


12

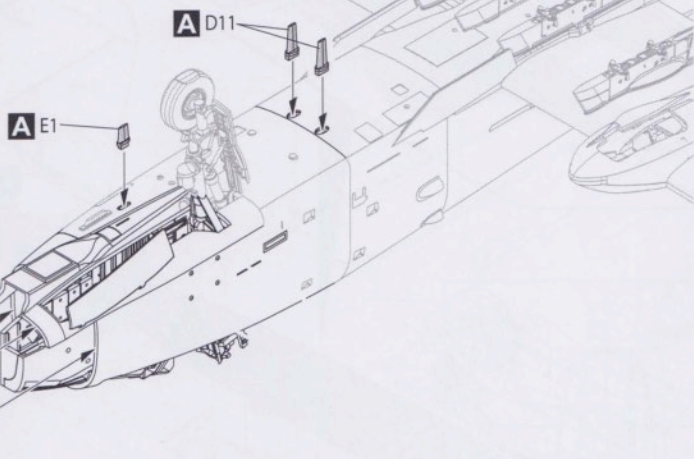
*Attach 1 first.



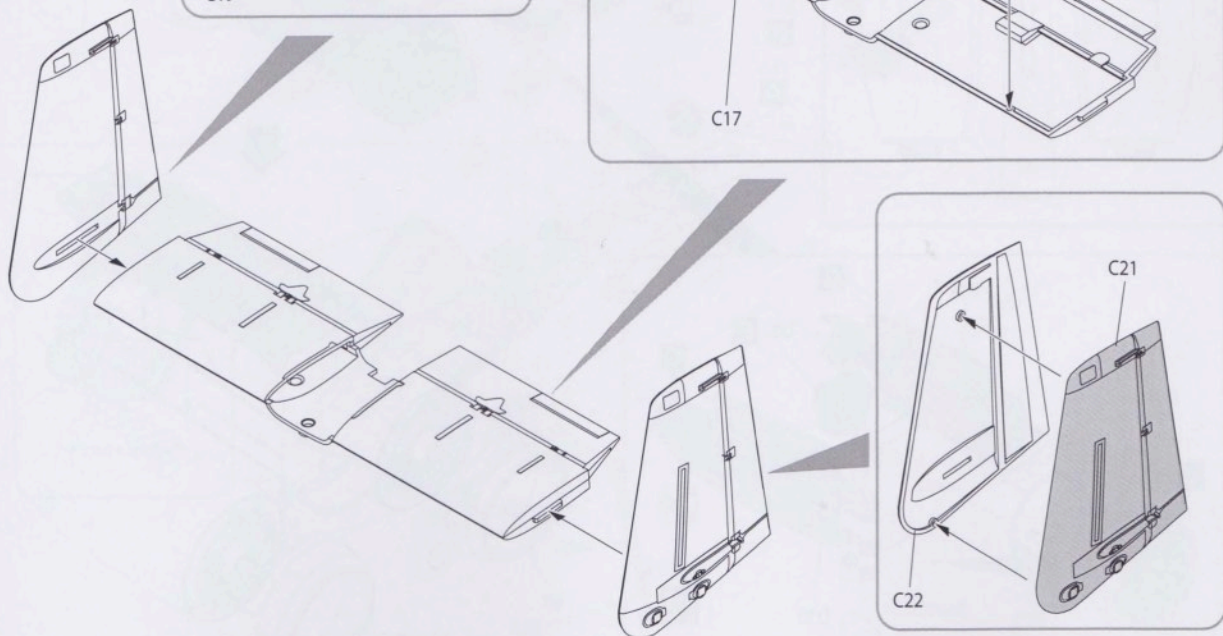
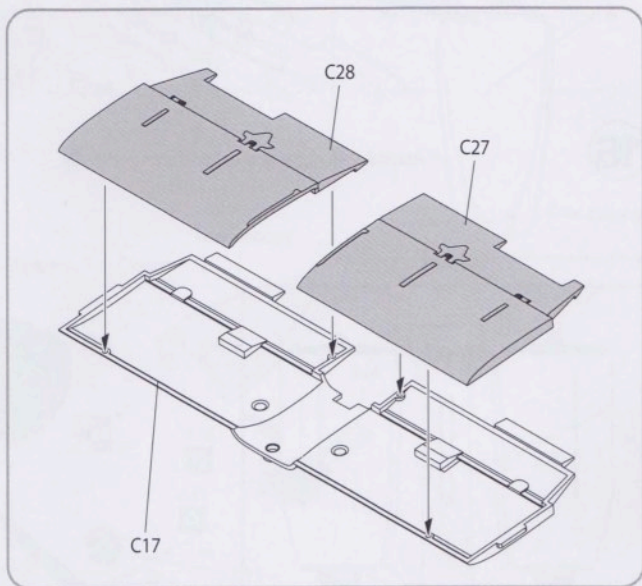
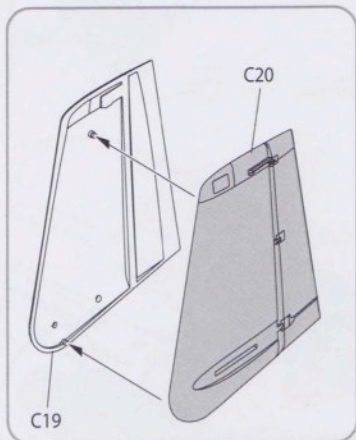
13



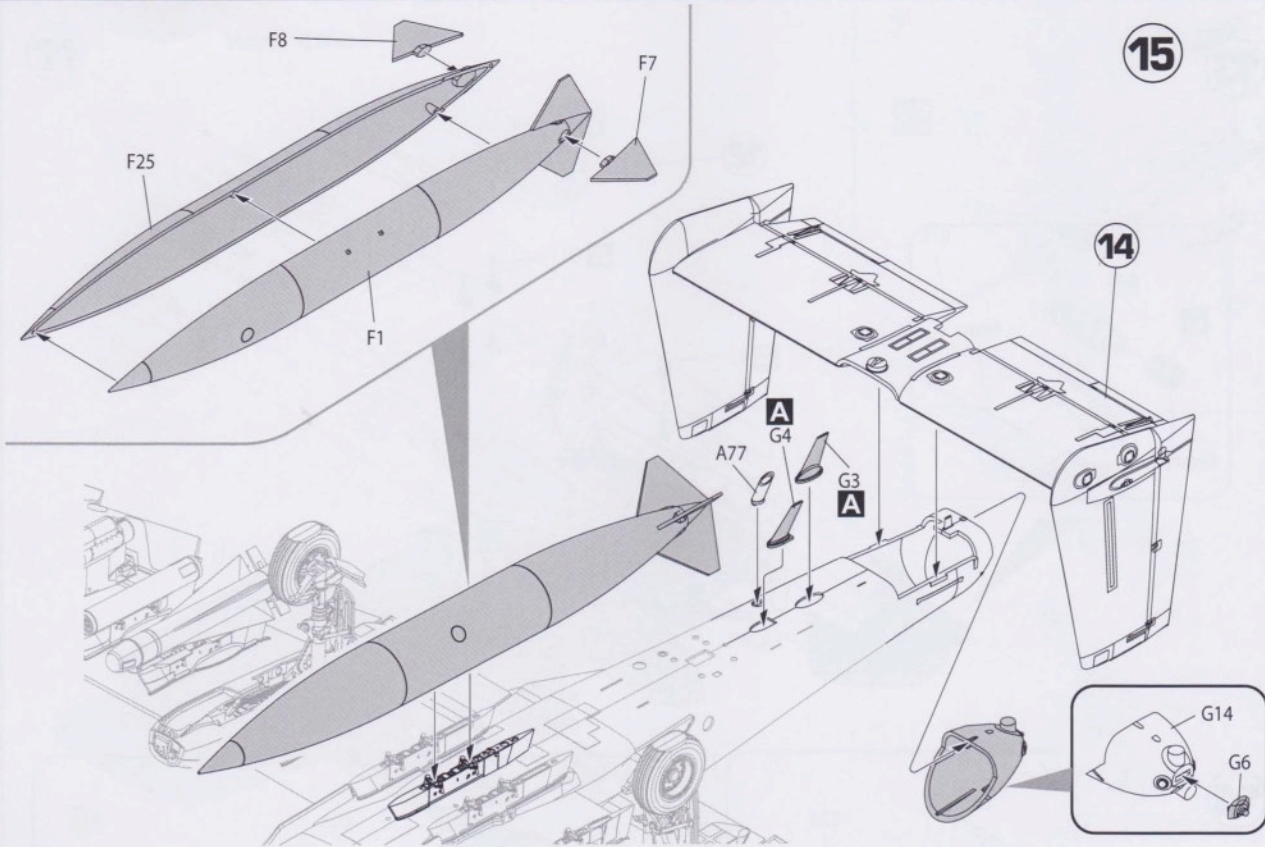
12



14



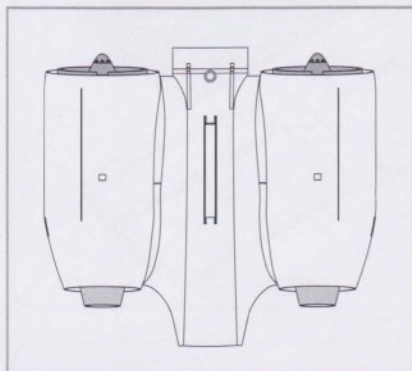
15



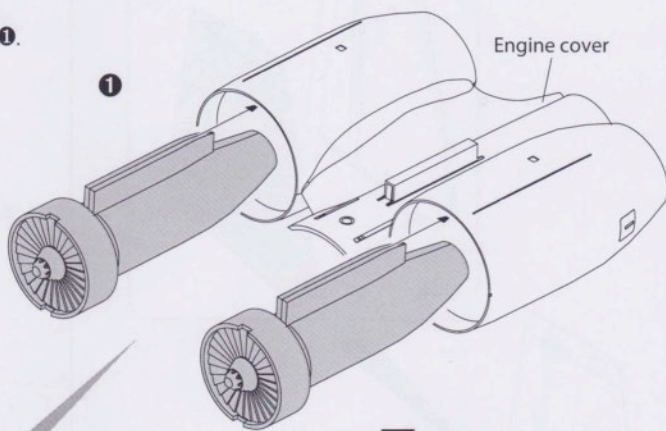
16

* Assemble in numerical order starting with 1.

Reference

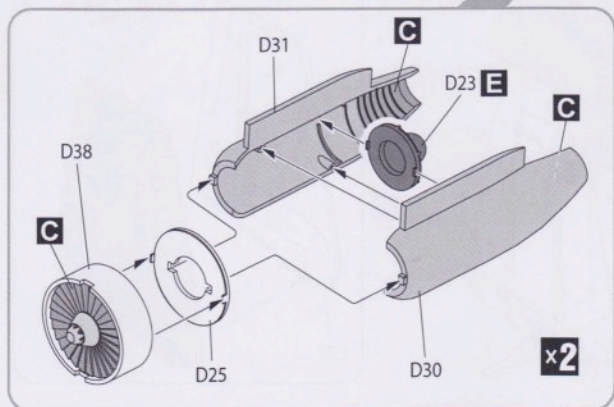
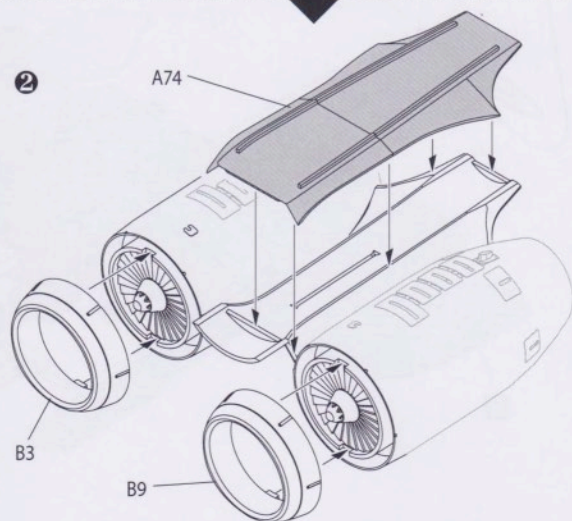


1



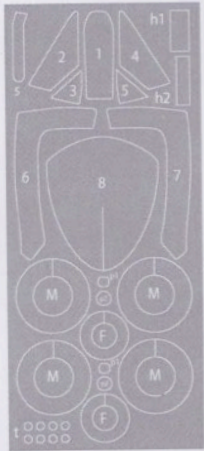
Engine cover

2

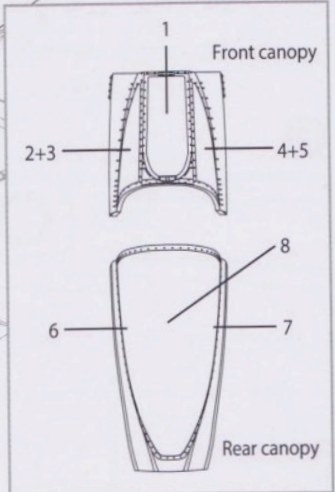
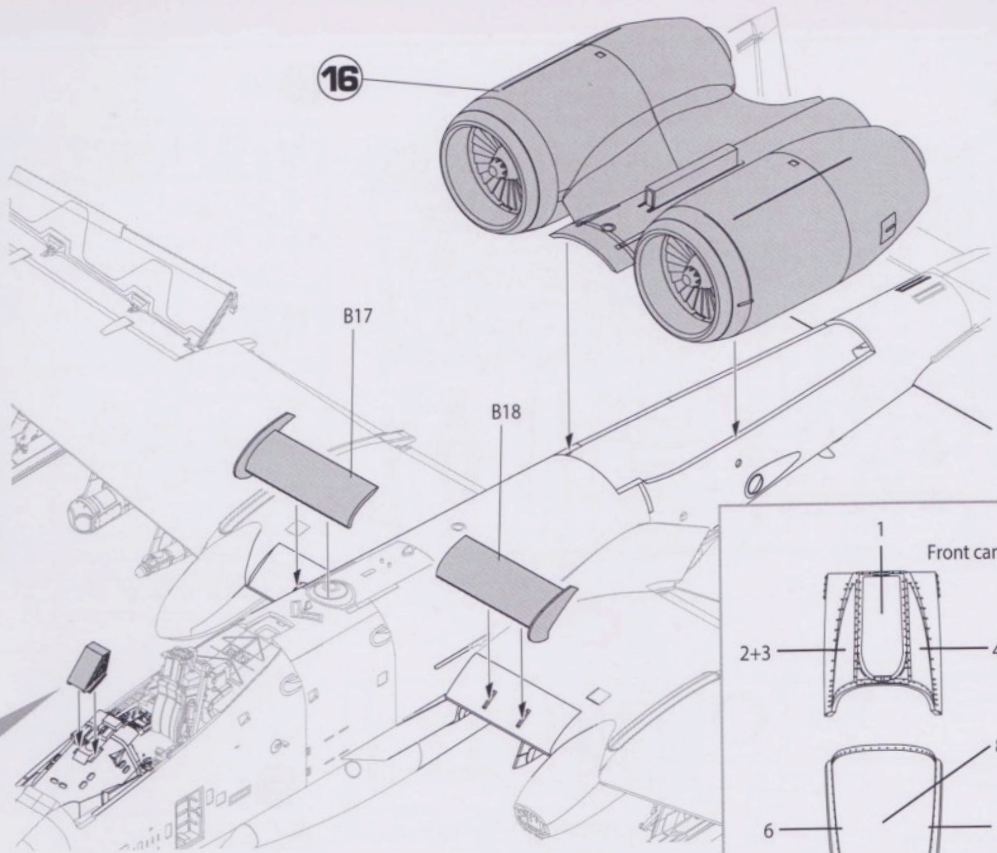
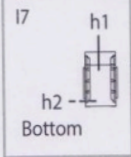


17

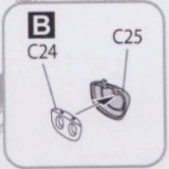
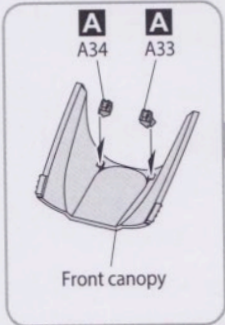
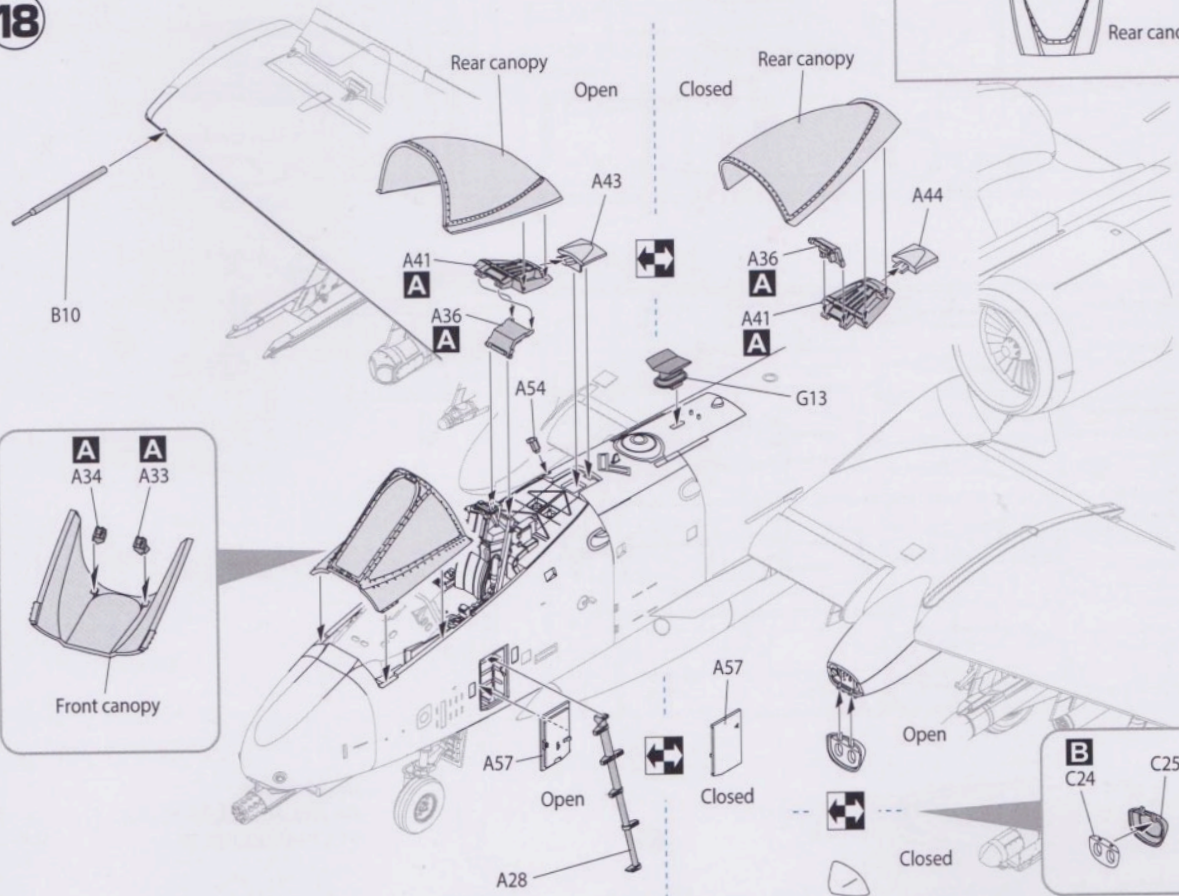
16

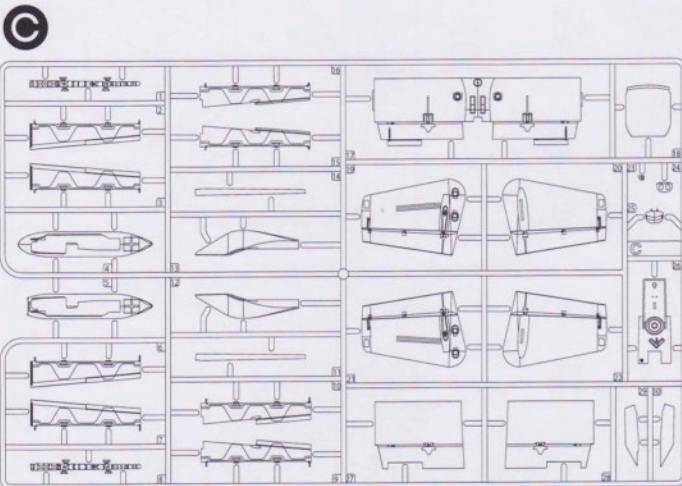
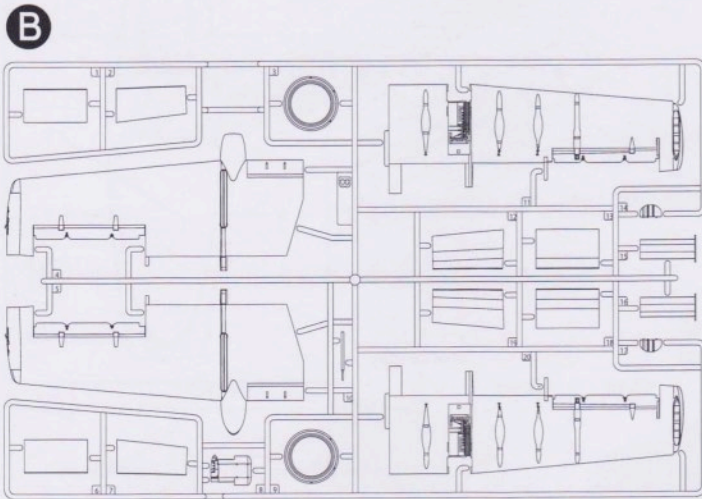
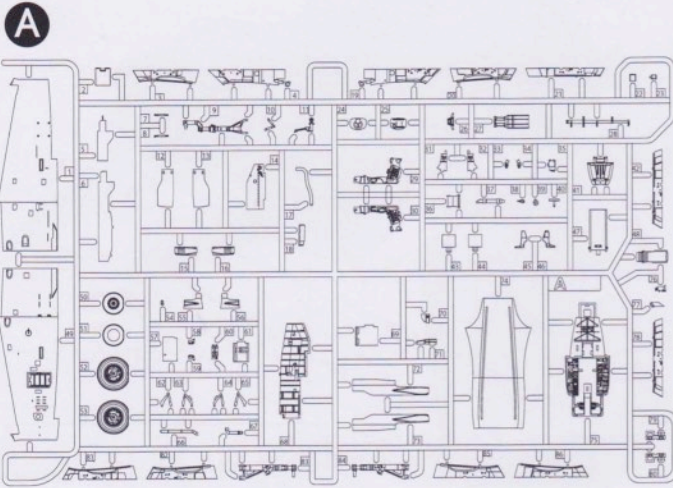


Masking tape



18





Front canopy



Rear canopy



Nose

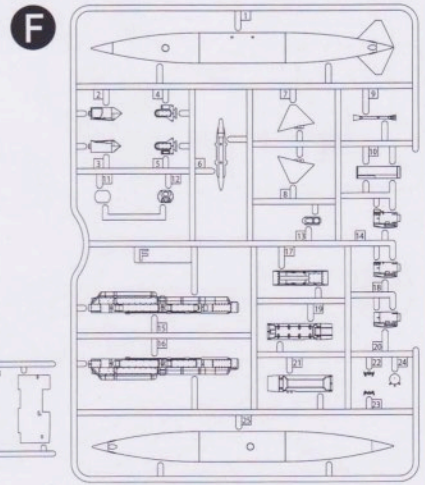
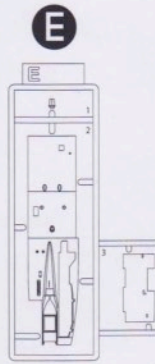
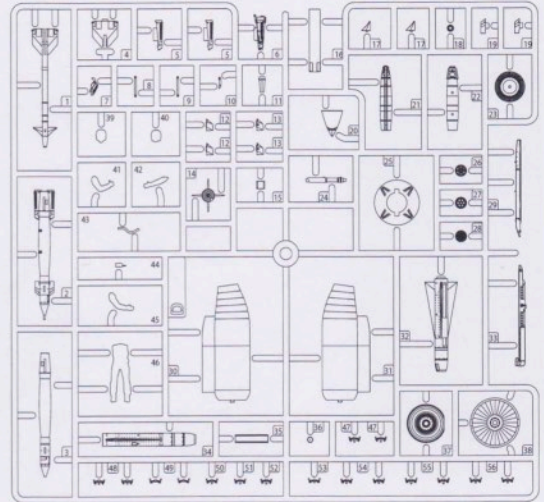


Rotary gun

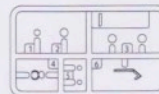


Fuselage

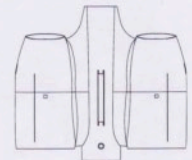
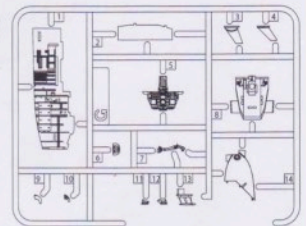
D X2



I



G

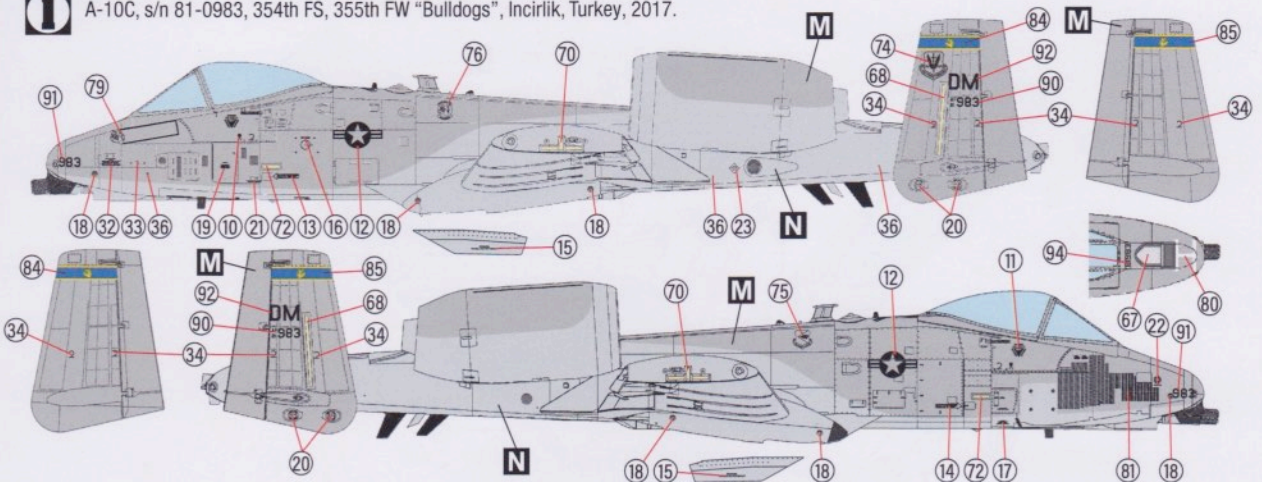


Engine cover

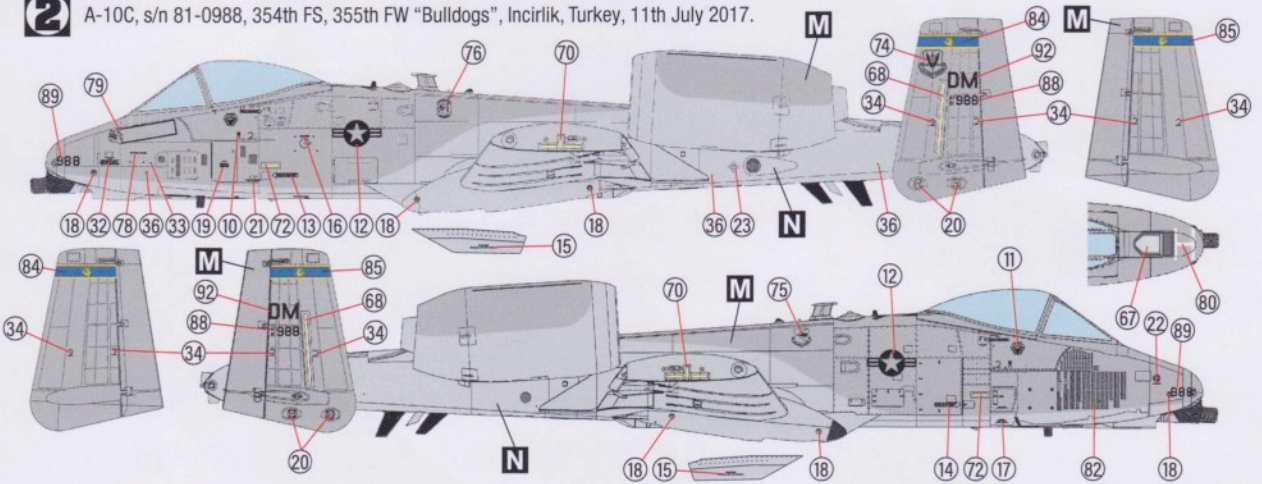
Unused parts

A6, A72, A73, F2, F3, F6, F10
F13, F14, F20, F21, I1

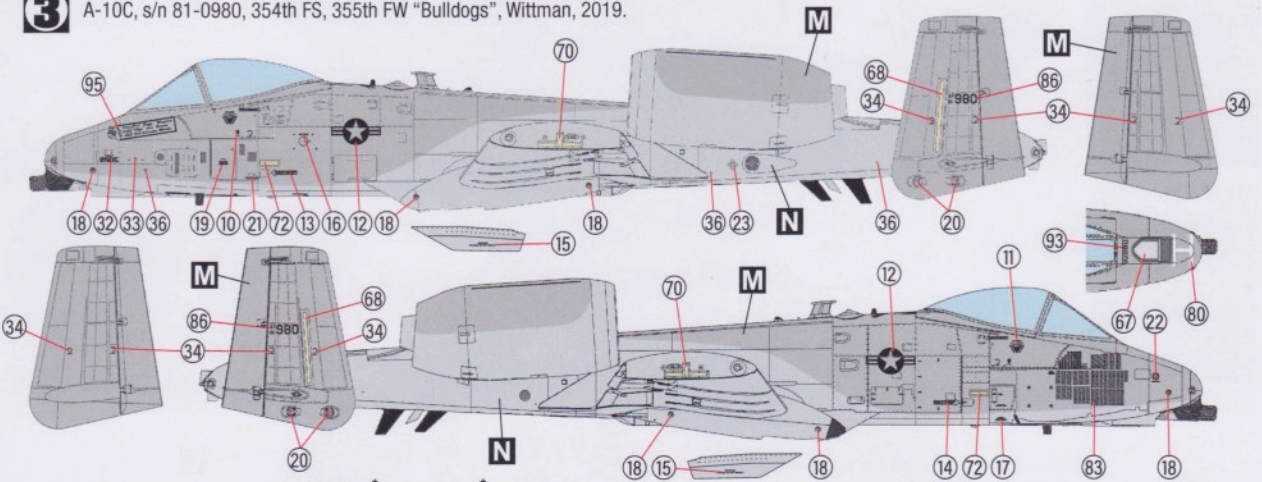
1 A-10C, s/n 81-0983, 354th FS, 355th FW "Bulldogs", Incirlik, Turkey, 2017.



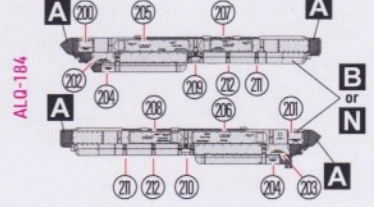
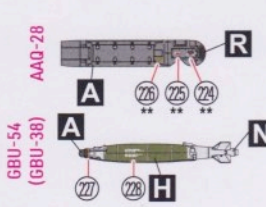
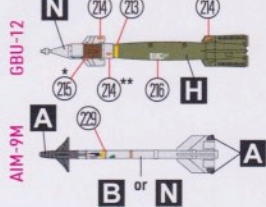
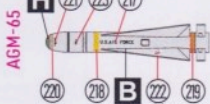
2 A-10C, s/n 81-0988, 354th FS, 355th FW "Bulldogs", Incirlik, Turkey, 11th July 2017.

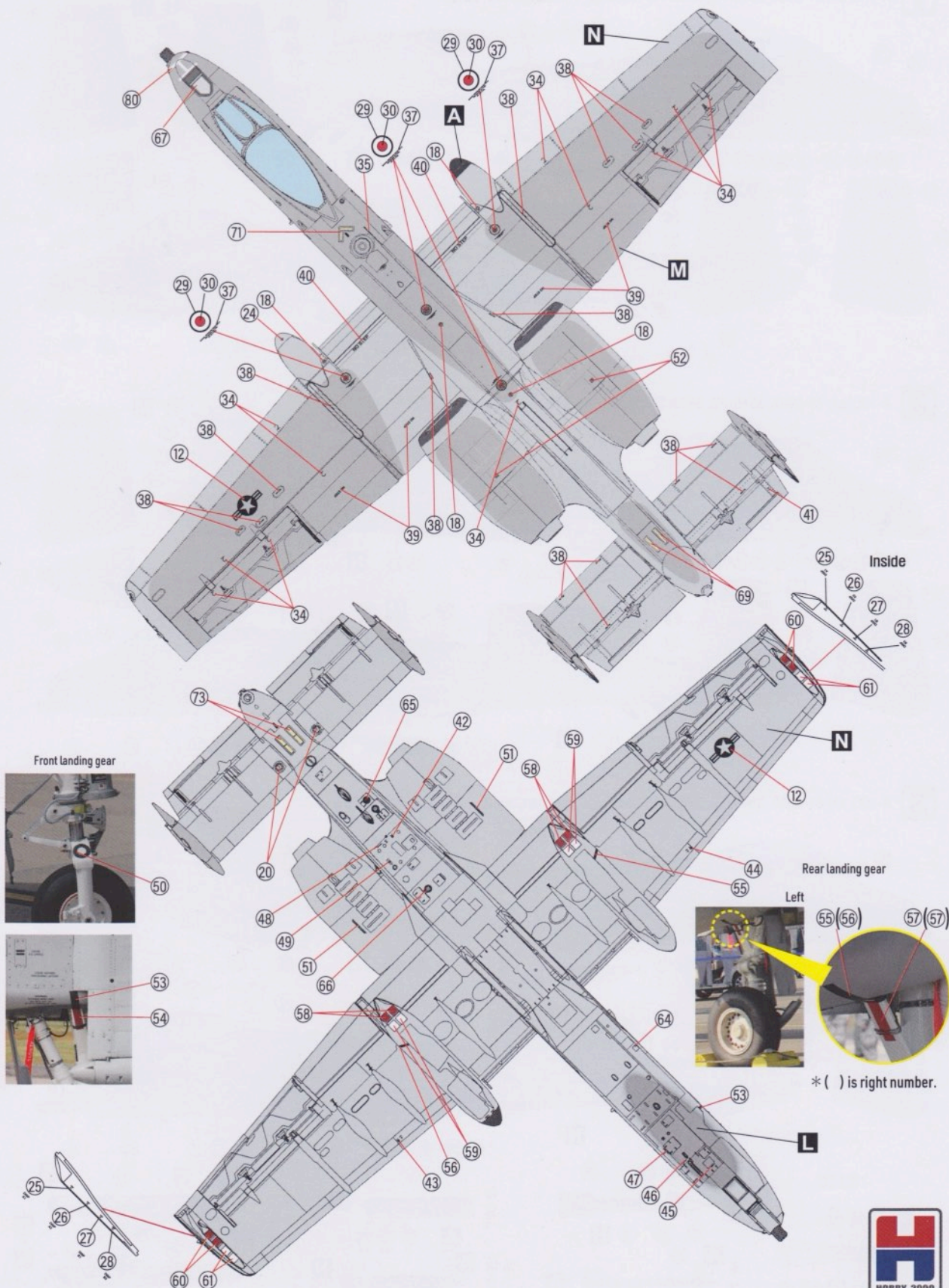


3 A-10C, s/n 81-0980, 354th FS, 355th FW "Bulldogs", Wittman, 2019.



** On 4 sides
*** On 2 sides





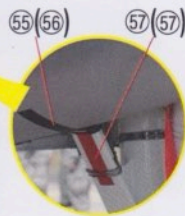
Front landing gear



Rear landing gear



Left



*() is right number.



48030