



# F-16C Fighting Falcon



FE132

1/48 scale detail set for Italeri kit • sada detailů pro model Italeri 1/48



PRINT

použité barvy  
used colors

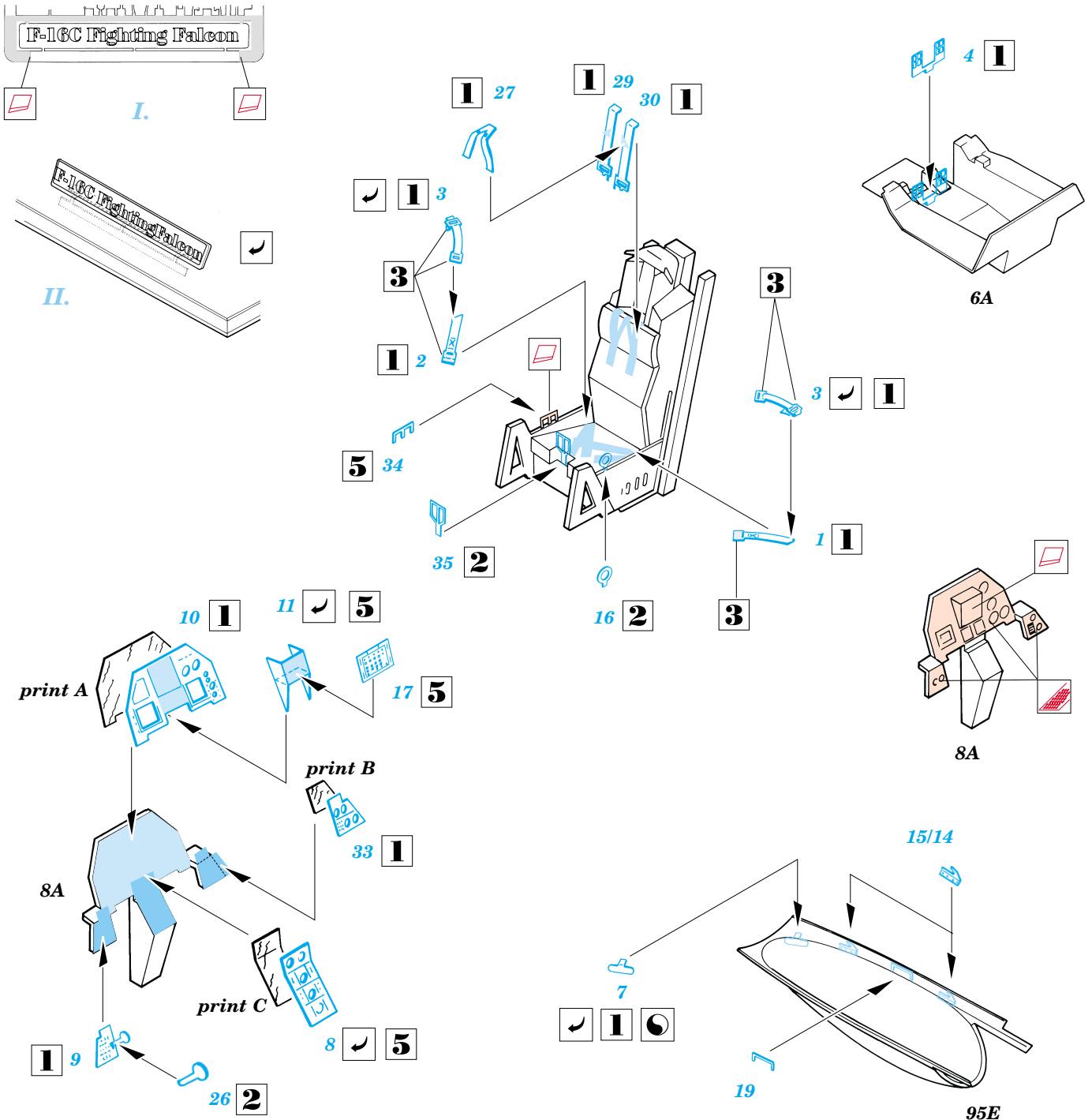
- |                              |  |
|------------------------------|--|
| <b>1</b> GREY<br>ŠEDÁ        | <b>5</b> BLACK<br>ČERNÁ                    |
| <b>2</b> YELLOW<br>LUTÁ      | <b>6</b> NATURAL METAL COLOR<br>BARVA KOVU |
| <b>3</b> ALUMINIUM<br>HLINÍK |  |
| <b>4</b> WHITE<br>BILÁ       |  |

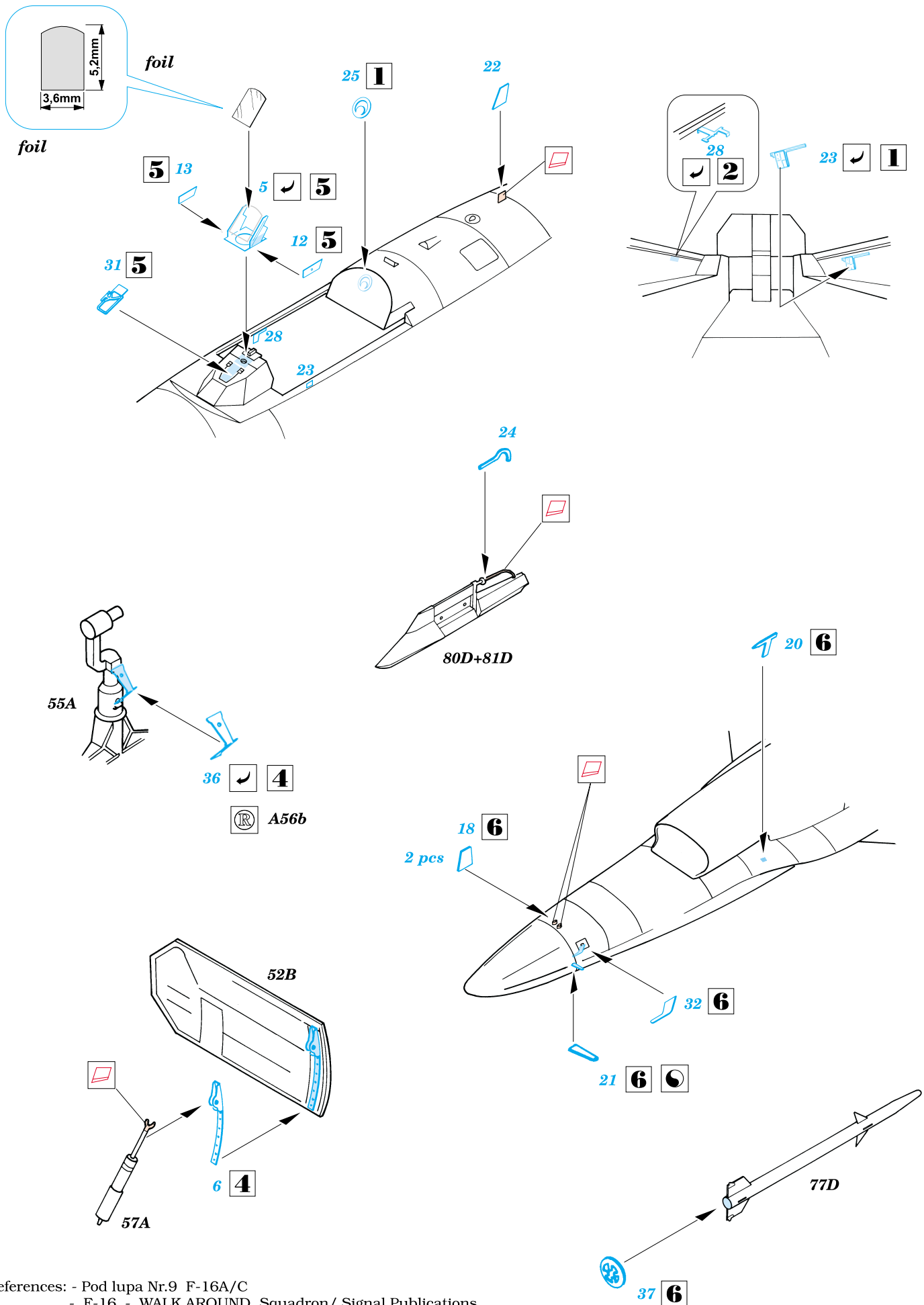
- SYMMETRICAL ASSEMBLY  
SYMETRICKÁ MONTÁ
- REMOVE  
ODSTRANIT
- BEND  
OHNOUT
- REPLACE  
NAHRADIT
- GRIND  
OBROUSIT
- OPTION

ORIGINAL KIT PARTS  
PŮVODNÍ DÍLY STAVEBNICE

PHOTO-ETCHED PARTS  
LEPTANÉ DÍLY

PARTS TO BE REMOVED  
DÍLY K ODSTRANĚNÍ





References: - Pod lupa Nr.9 F-16A/C  
 - F-16 - WALK AROUND, Squadron/ Signal Publications  
 - The Aircraft Walkaround Center <http://www5.50megs.com/robertlundin>  
 - In detail & scale No.3 - F-16A/B Fighting Falcon