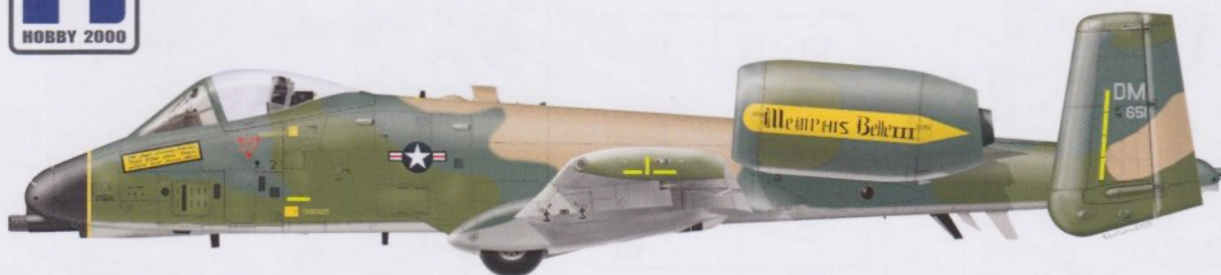




# A-10C Special Schemes

48029



FILL HOLE  
FORO PIENO  
SCHLIESSEN  
EMPUJE EL AQUJERO  
ZAMKNAĆ OTWÓR  
BOUCHER LE TROU  
ZAKRYJTE OTVOR



OPEN HOLE  
FORO APERTO  
OFFNEN  
HACER AQUJERO  
WYKONAĆ OTWÓR  
FAIRE UN TROU  
VYVRTAT OTVOR



DECAL  
DECALCOMANIE  
ABZIEHBILD  
CALCOMANIA  
KALCOMANIA  
DECALCOMANIE  
OBTISK



REMOVE  
RETIRER  
ENTFERNEN  
CORTAR  
WYCIĄĆ  
SEPARARE  
ODSTRANIT



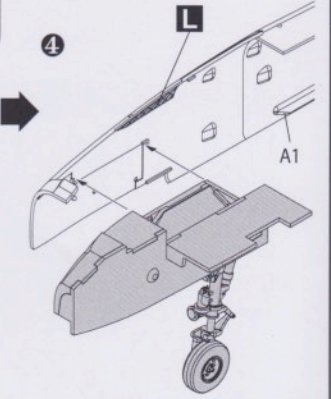
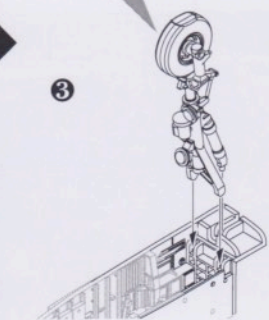
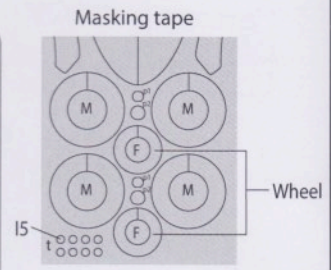
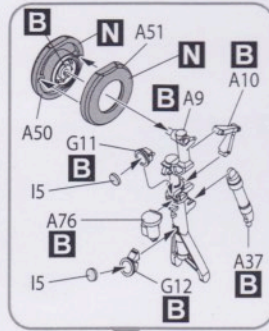
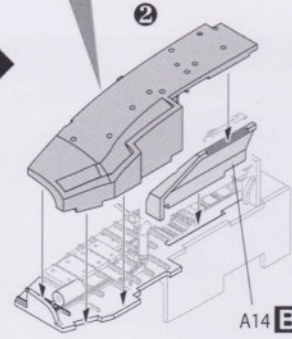
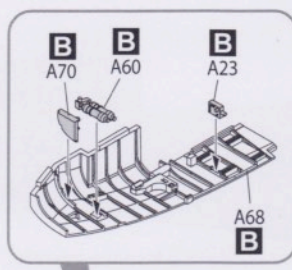
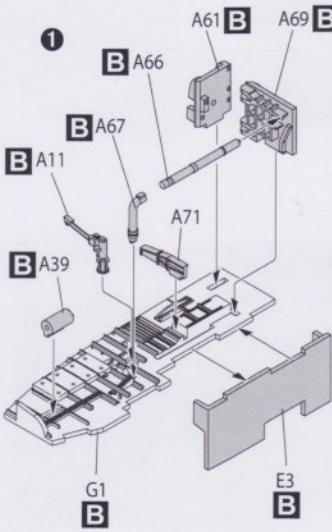
OPTION  
FACULTATIF  
NACH BELIEBEN  
HACER AQUJERO  
DO WYBORU  
FACOLTATIVO  
VOLBA



DO NOT CEMENT  
NE PAS COLLER  
NICHT KLEBEN  
NO PEGAR  
NIE SKLEJAĆ  
NON INCOLLARE  
NELEPIT

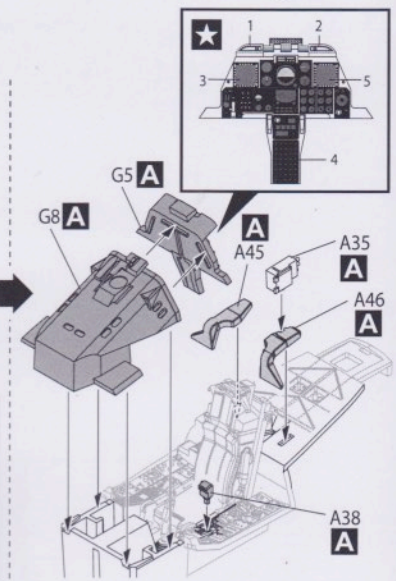
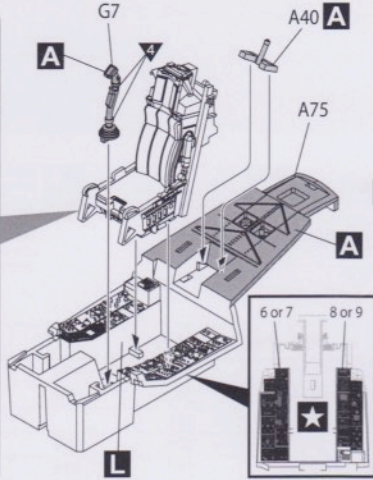
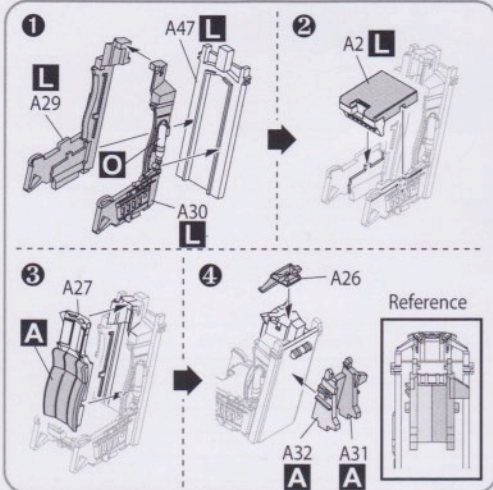
Color Chart		AK Interactive	AMMO	HATAKA	Mr. COLOR	Revell	TAMIYA	Vallejo
Fiat Black	A	11029	046	100	033	108	XF-1	70.950
White FS17875	B	11868	047	049	316	104	X-2	71.279
Steel	C	11210	191		028	191	XF-56	77.712
Silver	D	11209	195	003	008	190	X-11	77.724
Burnt Iron	E	AK485	187	016	061		XF-84	77.721
Clear Red	F	11213	093		047	731	X-27	70.934
Clear Blue	G	11214	098		050	752	X-23	70.938
Olive Drab	H	11860	926	018	304	161	XF-62	71.316
Khaki Green	I		113	064	054	165	XF-51	70.881
Khaki	J	11127	071	084	055	189	XF-49	71.287
Tire Black	K	11027	033	040	137	106	XF-85	70.862
Dark Gull Gray FS36231	L	11884		044	317	179	XF-54	71.277
Dark Ghost Gray FS36320	M	11887	208	035	307	374	AS-25	71.120
Light Ghost Gray FS36375	N	11888	203	037	308	143	AS-26	70.615
Medium Green FS34102	O	11342	004	021	303	139	XF-73	71.289
Dark Green FS34092	P	11873	238	056	302	363	XF-26	70.895
Nato Green	Q	11358	084	152		146	XF-67	71.093
Gunship Gray FS36118	R	11881	204	031	305	174	XF-24	71.097
Willow Green ANA 503	S	11141	080	221	122	360		71.006
Lemon Yellow ANA 505	T	11047	032	222	004	112	XF-3	71.002
True Blue ANA501	U	11177	123	220	034	152	XF-8	71.089
Forest Green FS34079	V	RC027	206	021	309	139	XF-81	71.294
Dark Tan FS30219	W	RC225	202	012	310	188	AS-15	71.125
Camouflage Gray FS36622	X	11890	226	039	311	176	AS-16	71.296

1

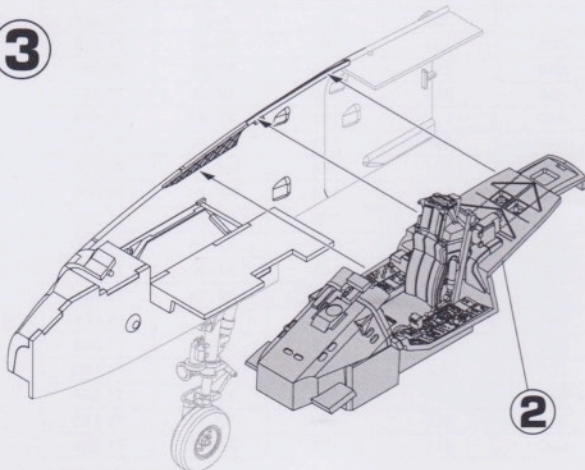


2

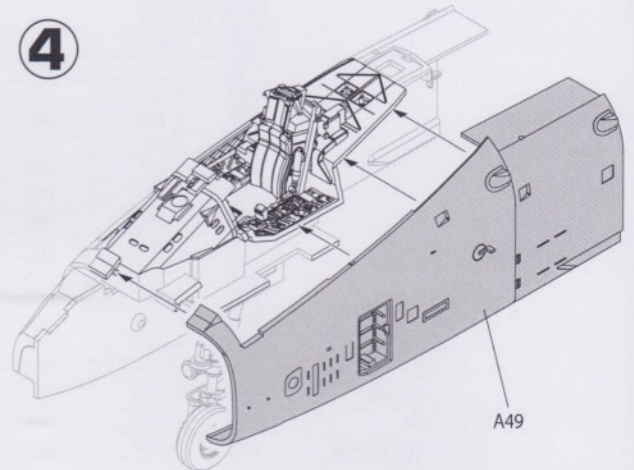
\* Assemble in numerical order starting with 1



3

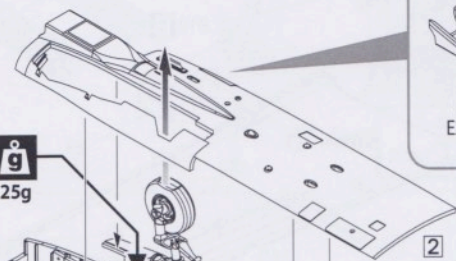
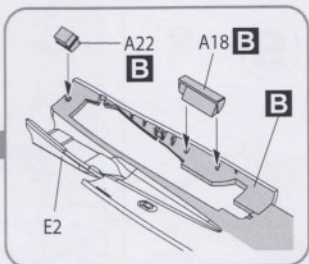


4



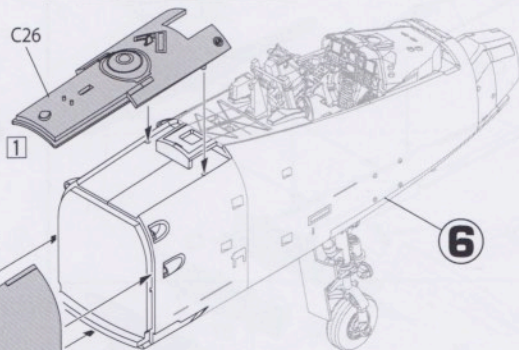
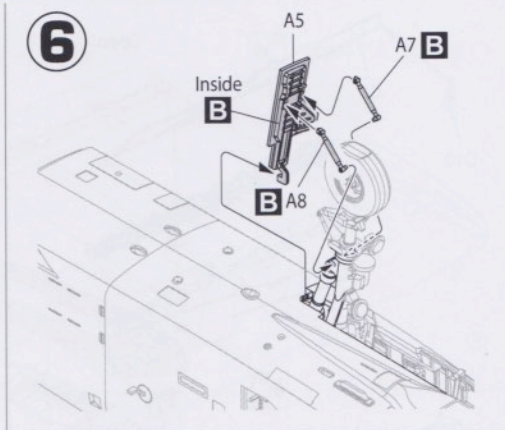
5

g  
25g

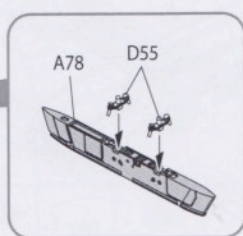
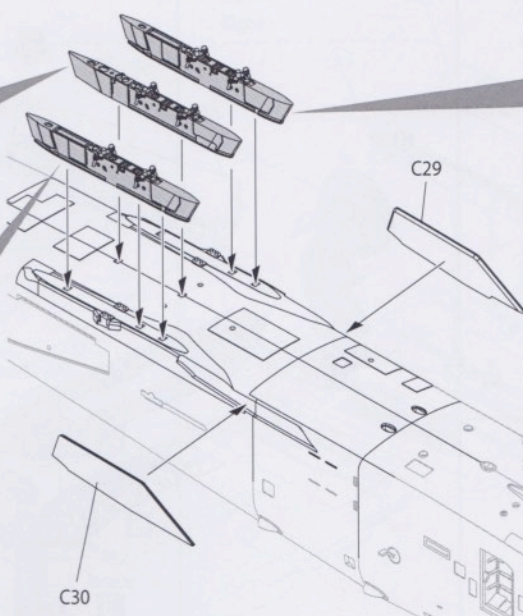
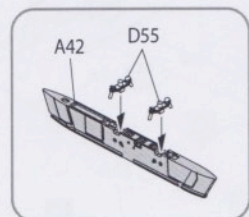
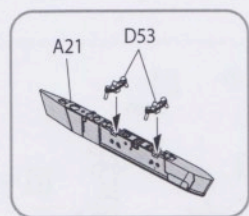
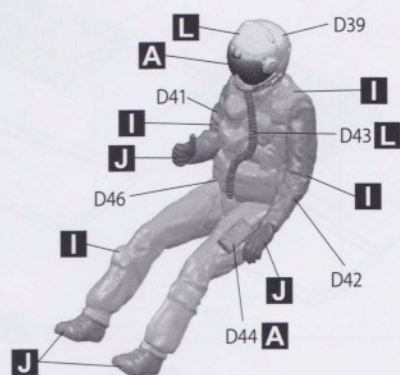
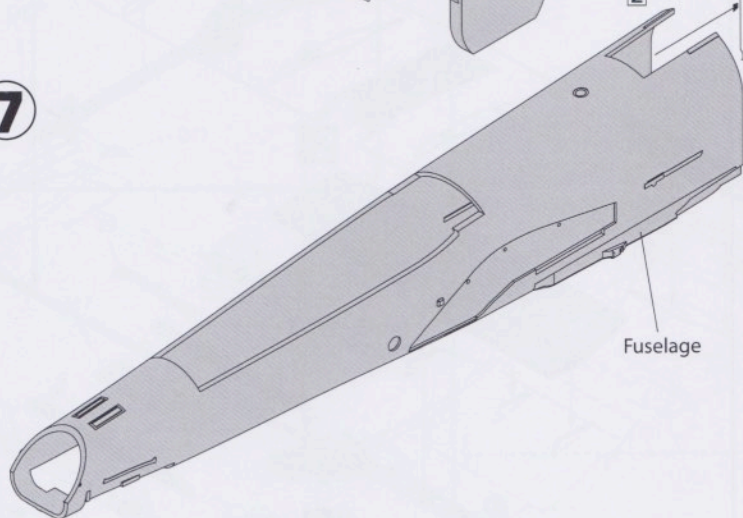


\*Attach 1 first.

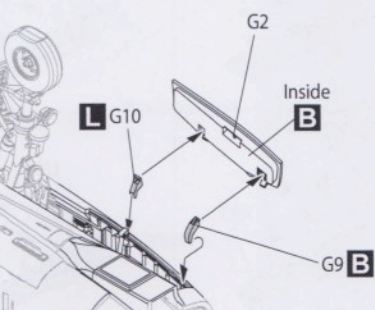
6

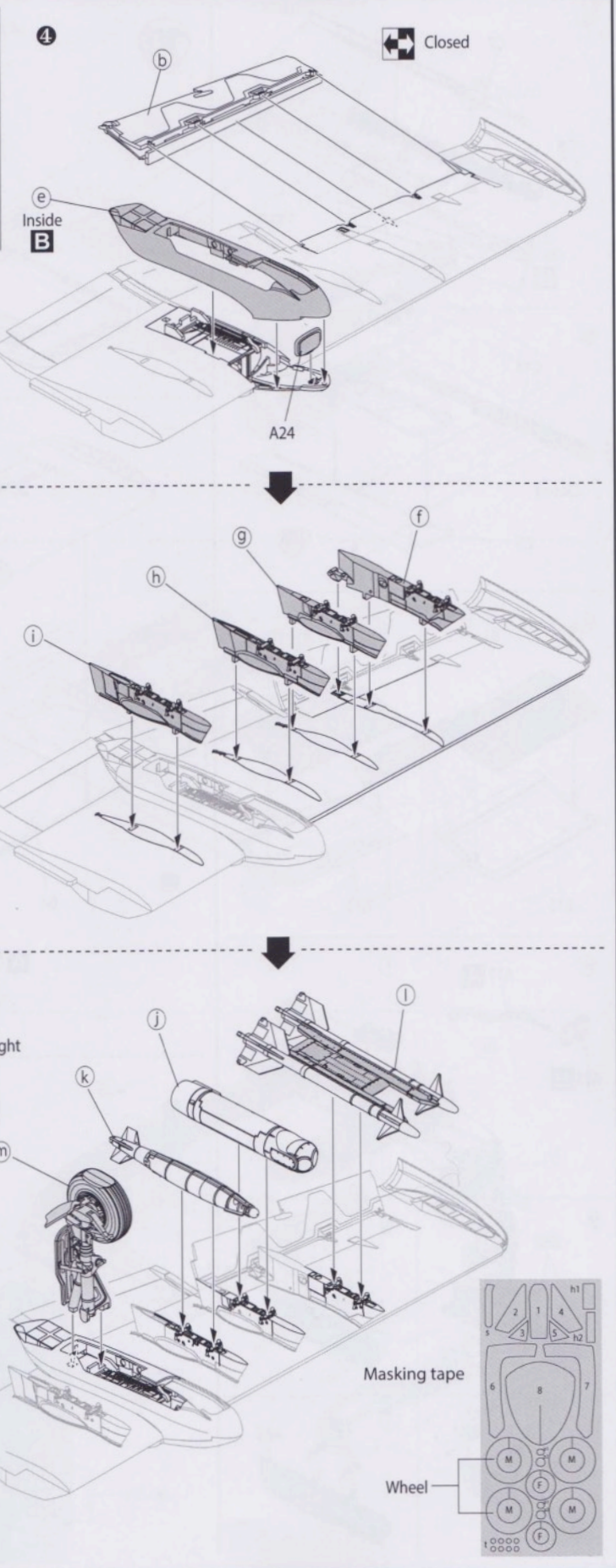
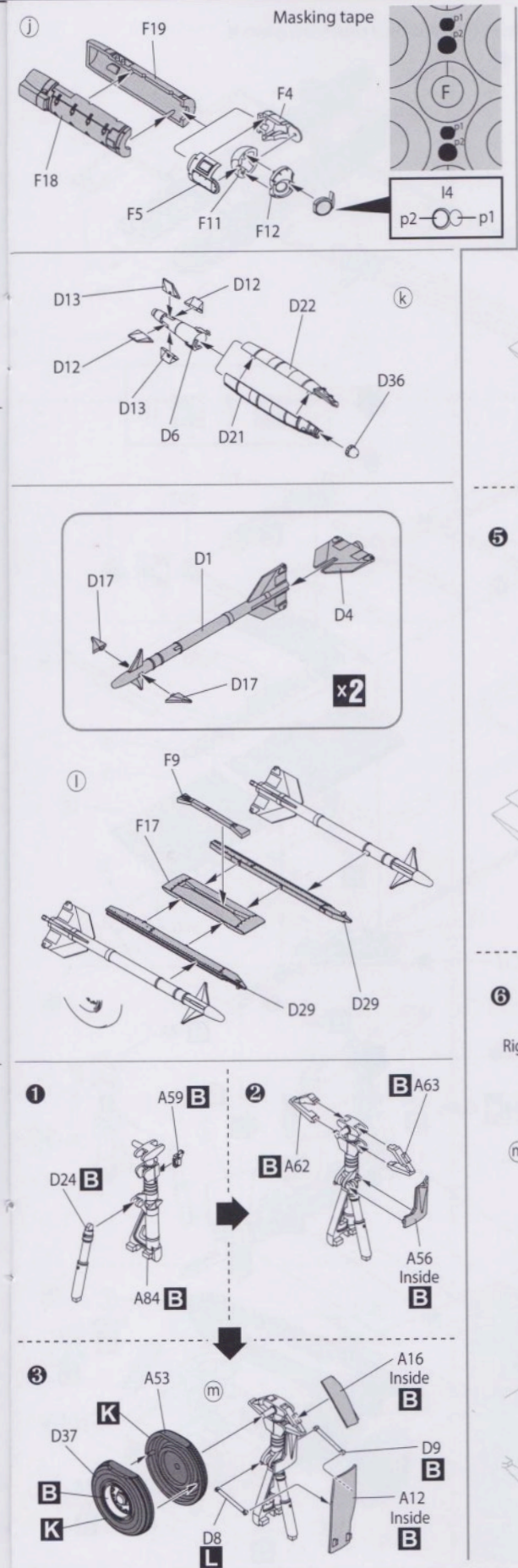
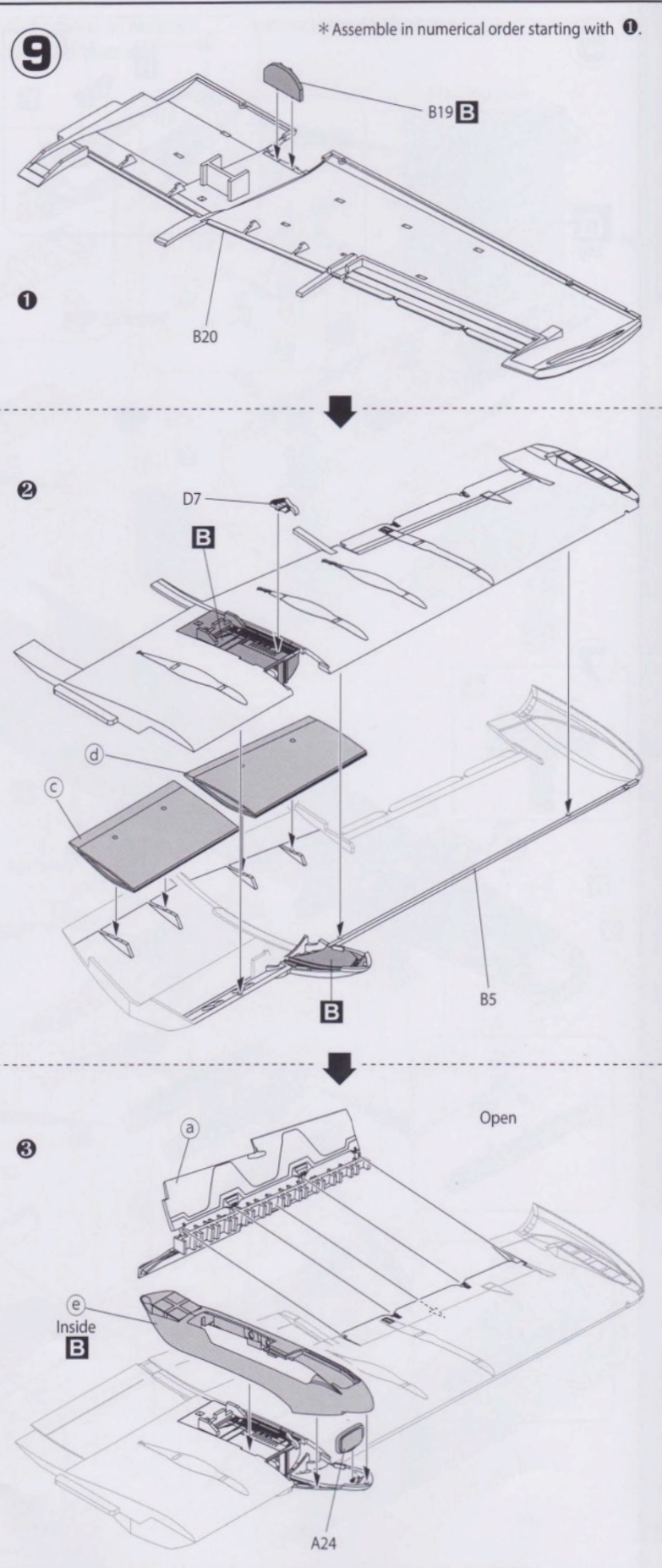
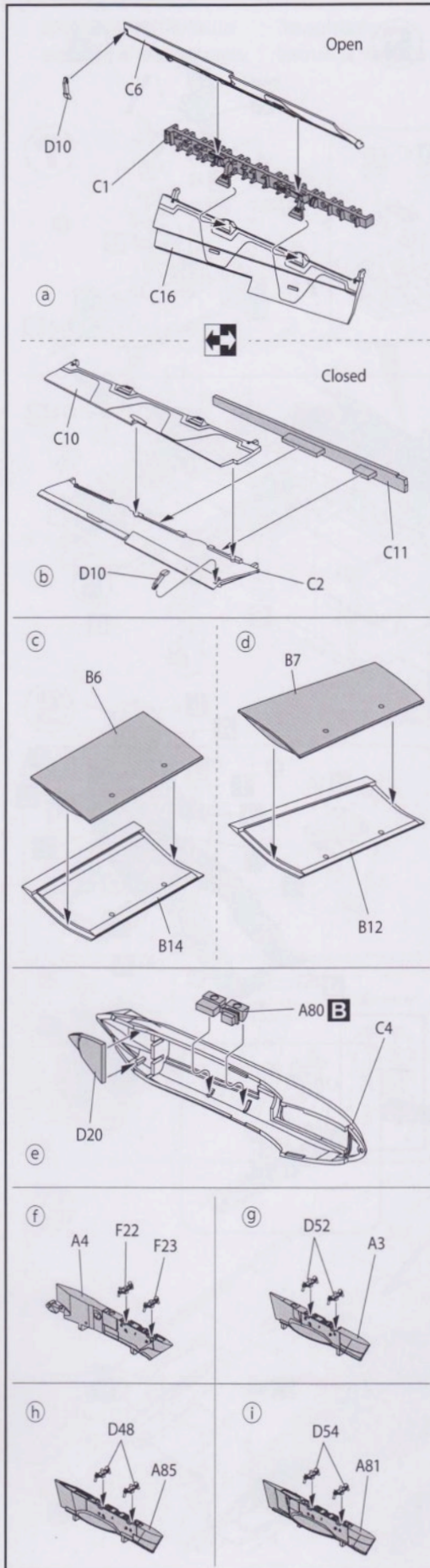


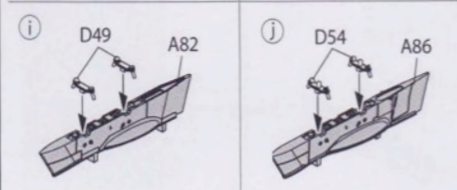
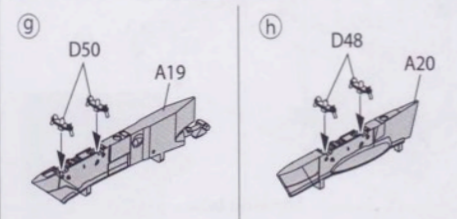
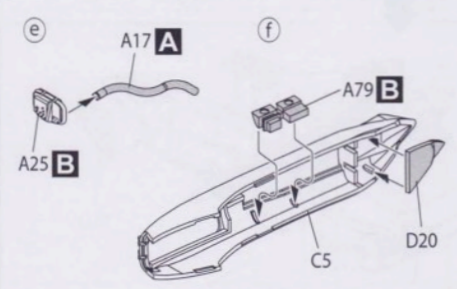
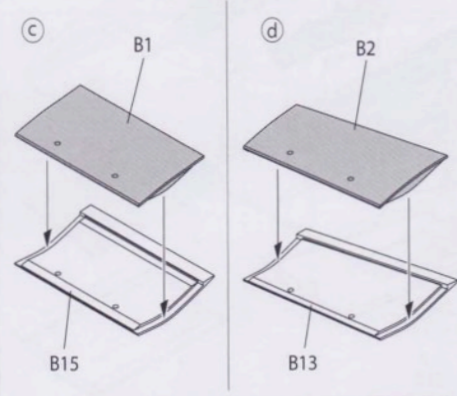
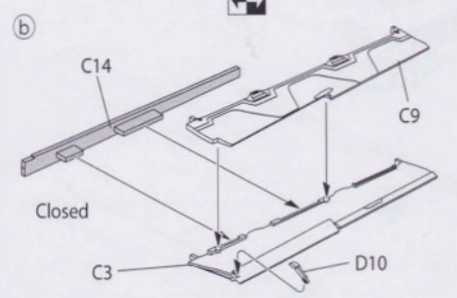
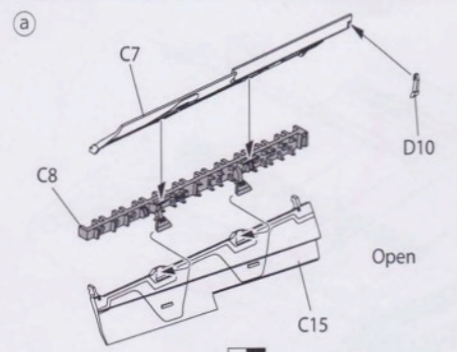
7



8

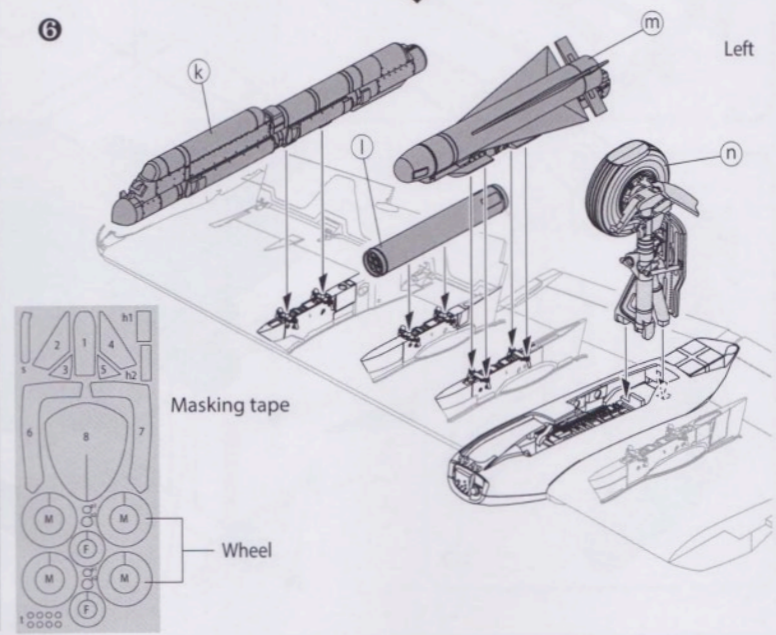
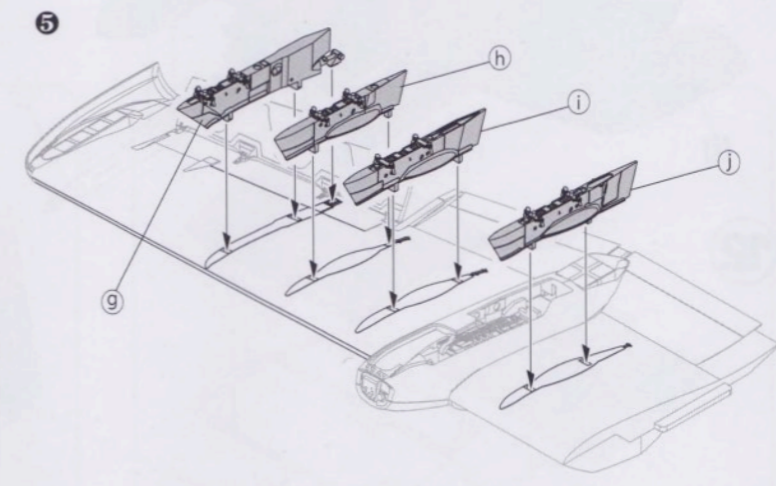
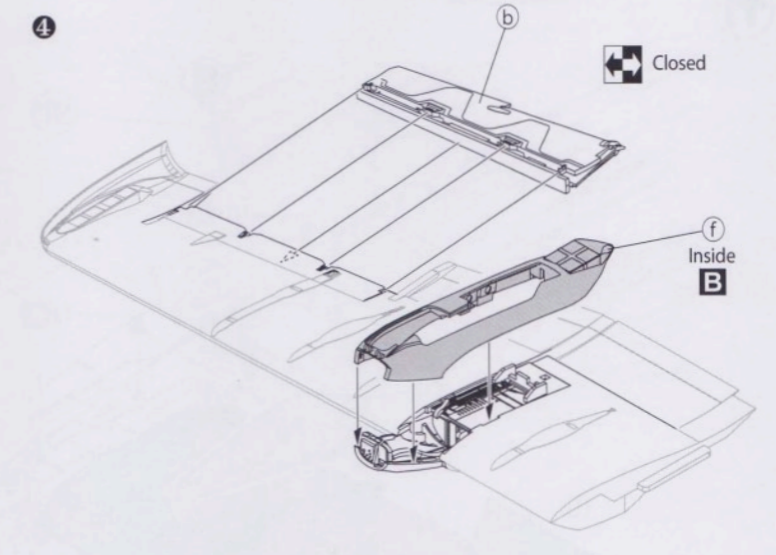
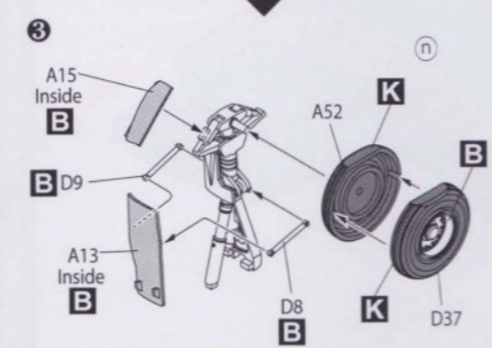
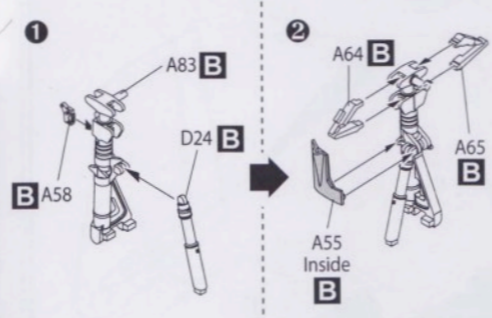
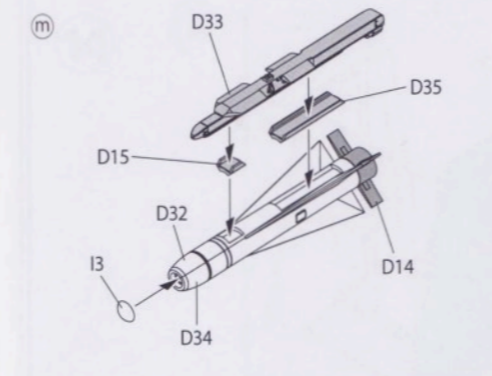
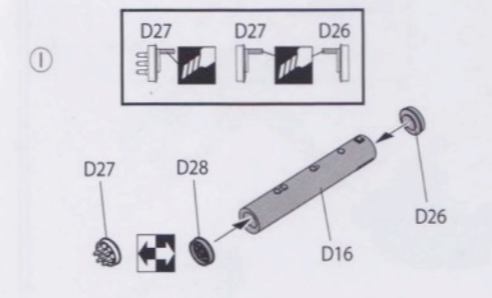
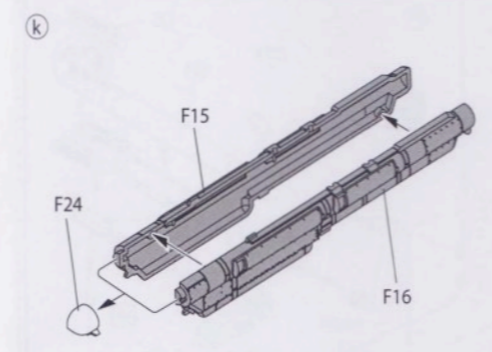
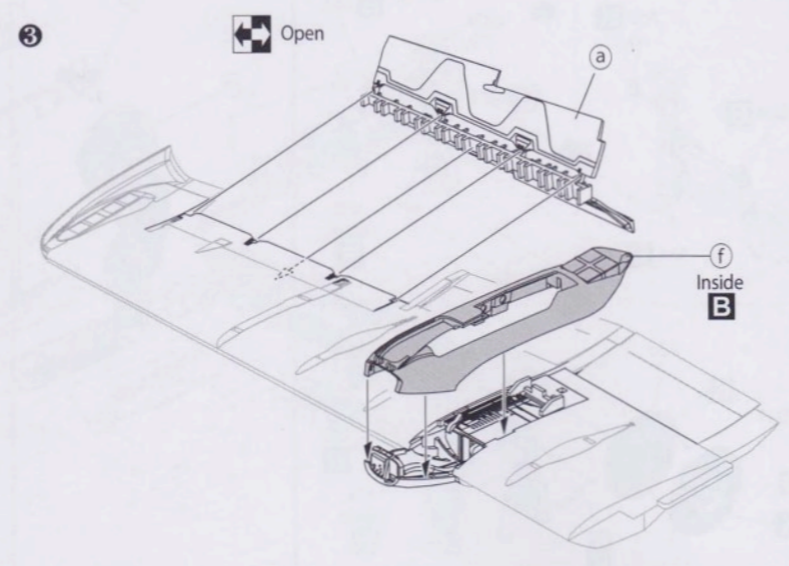
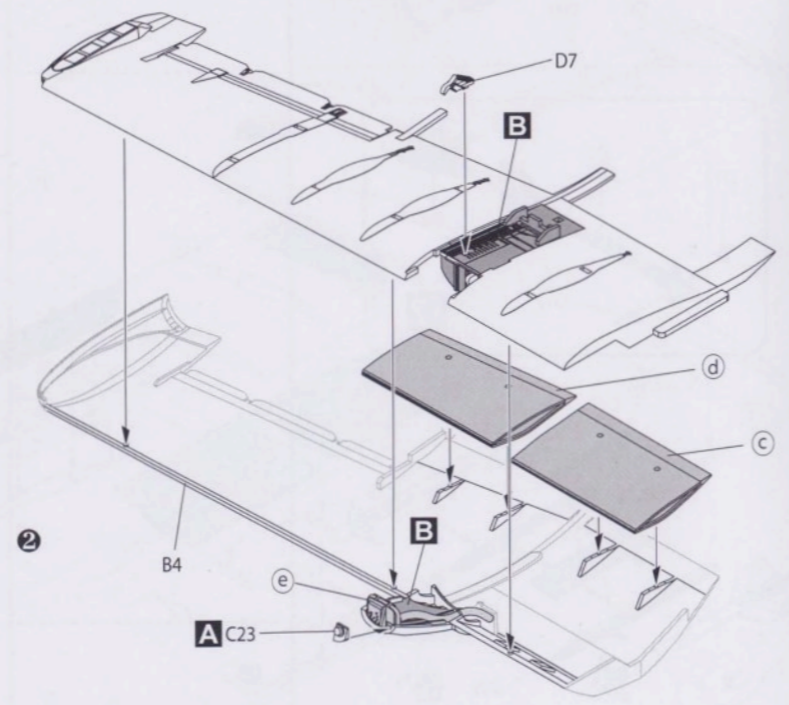
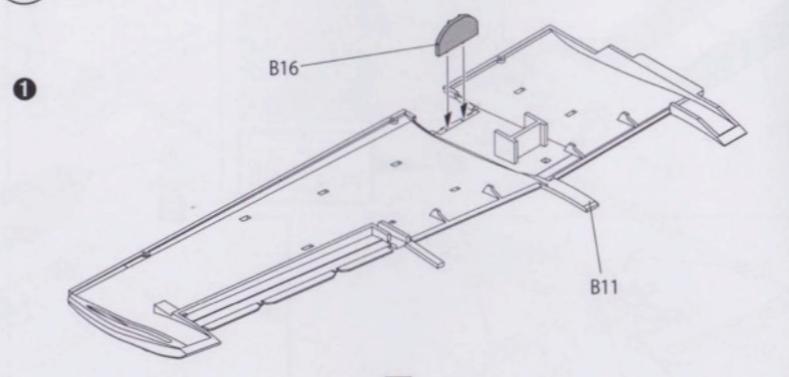






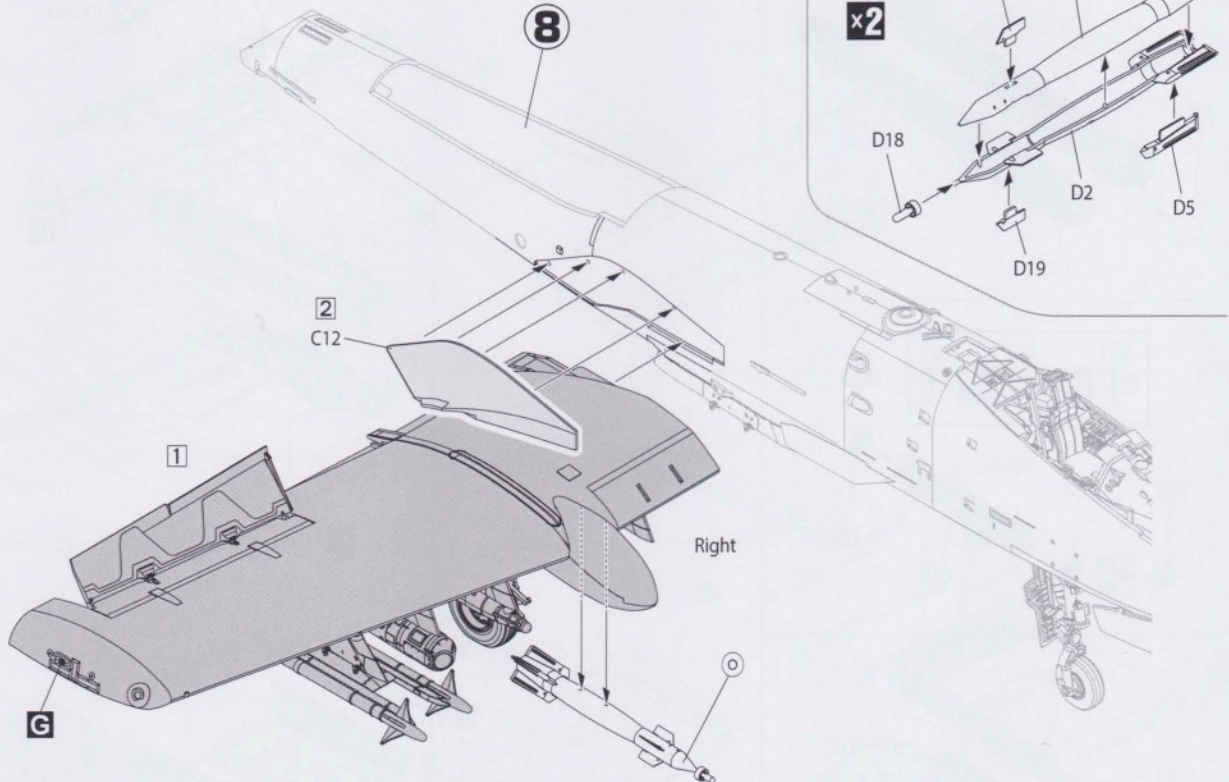
10

\* Assemble in numerical order starting with 8.



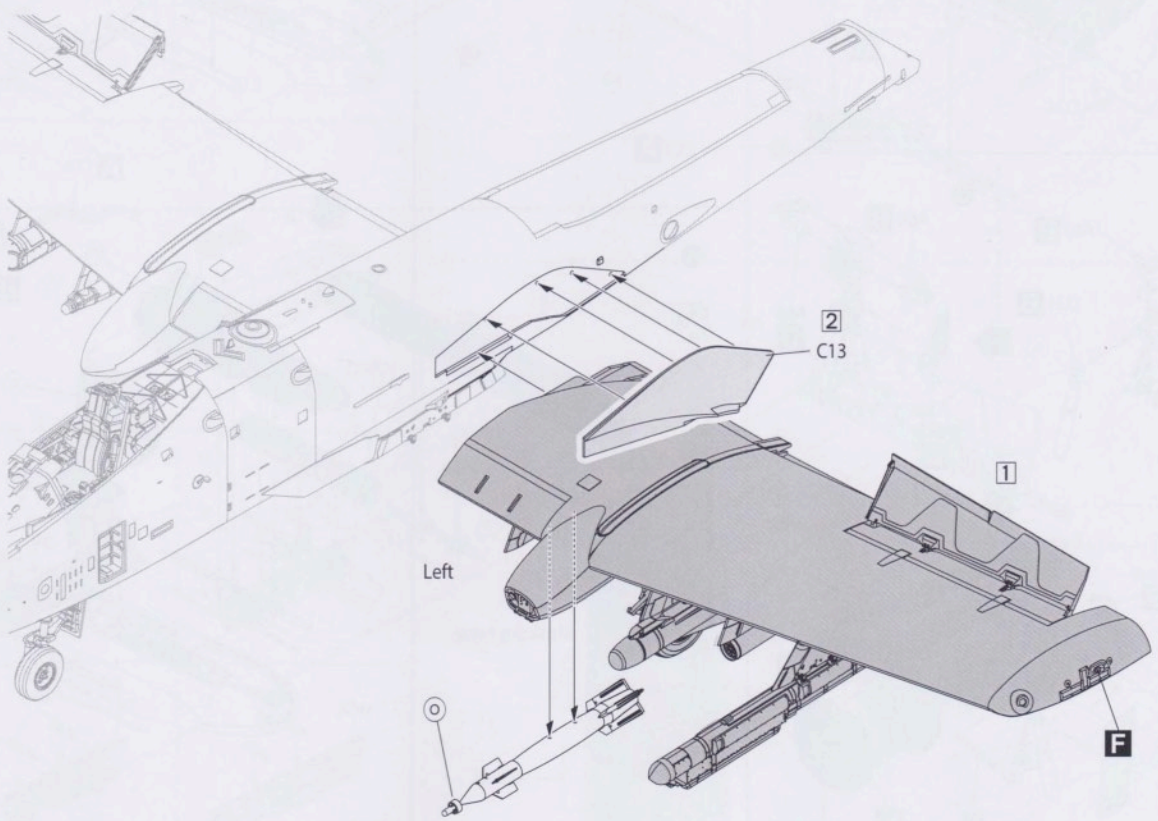
11

\*Attach 1 first.

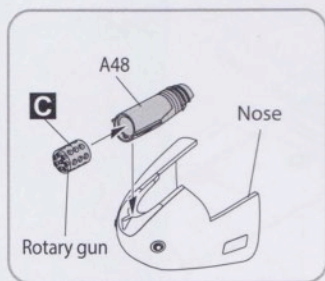


12

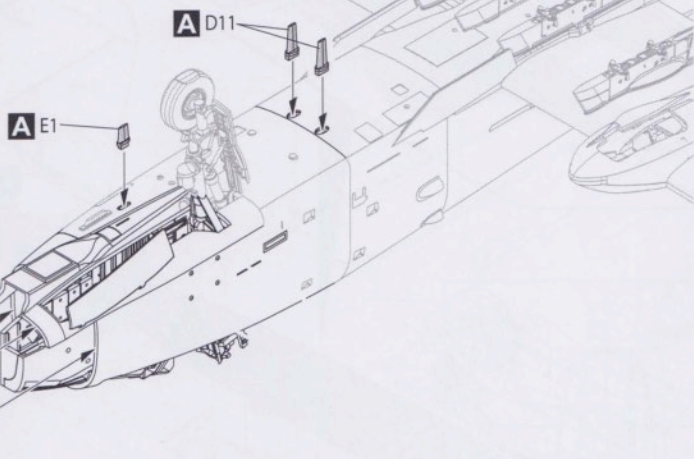
\*Attach 1 first.



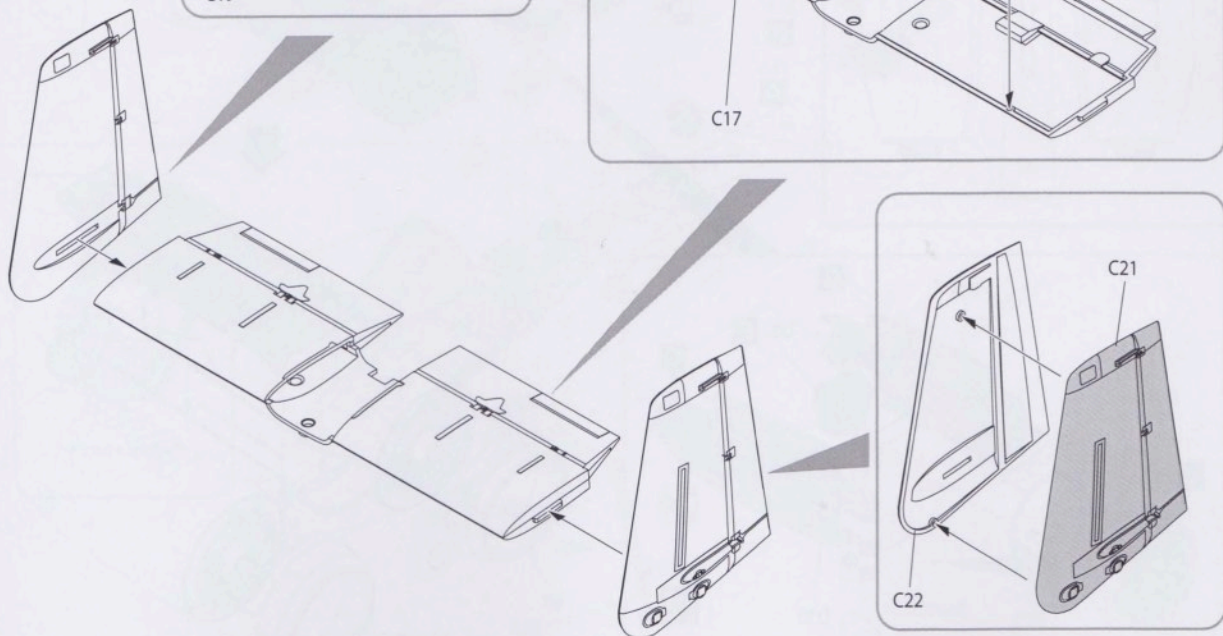
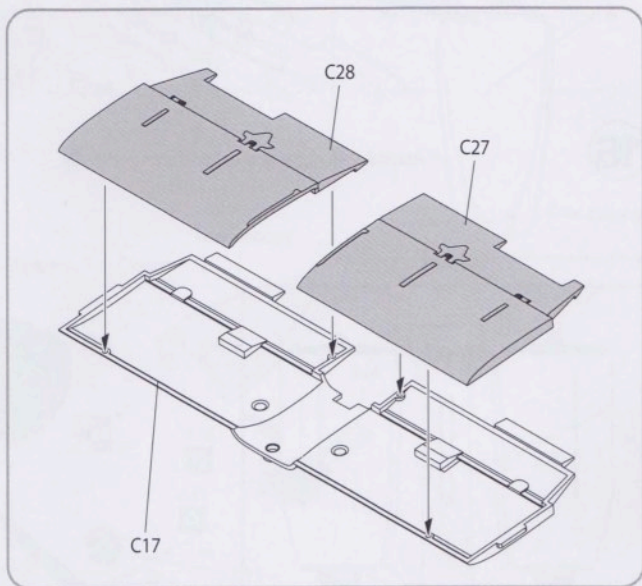
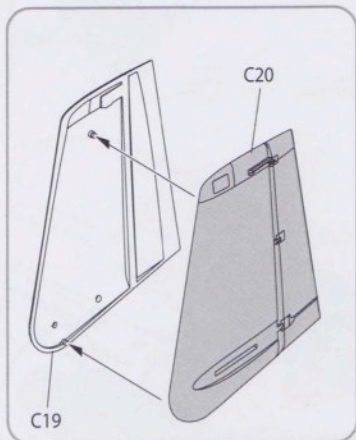
13



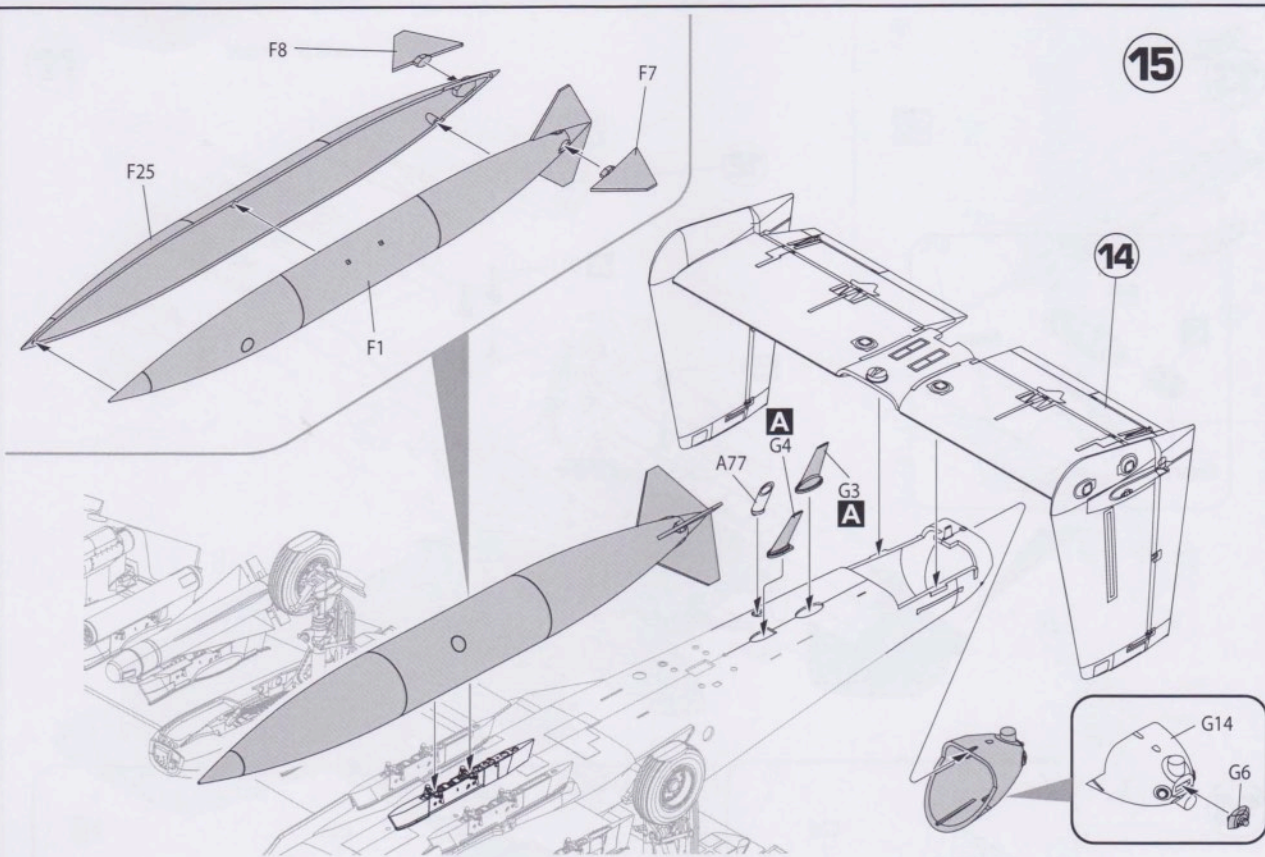
12



14



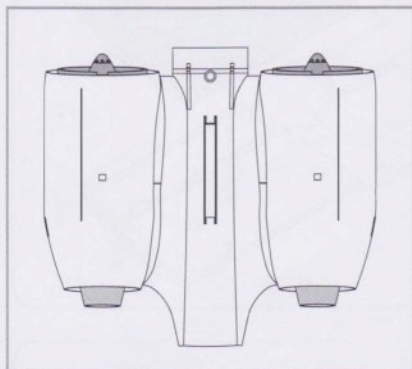
15



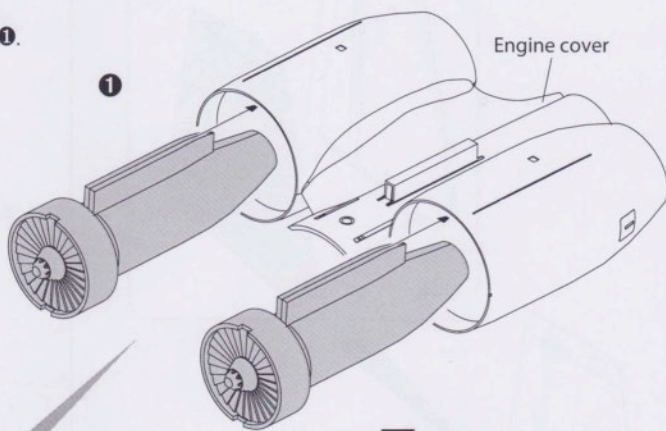
16

\* Assemble in numerical order starting with 1.

Reference

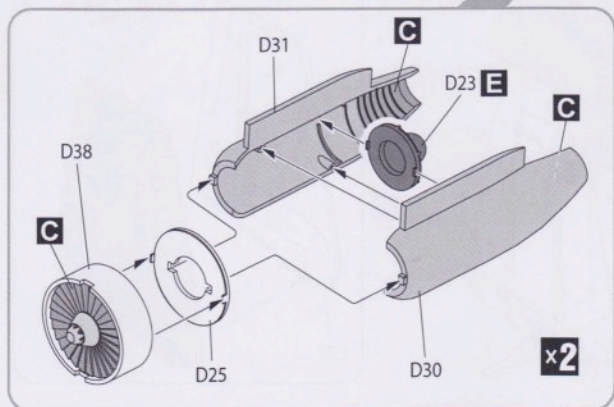
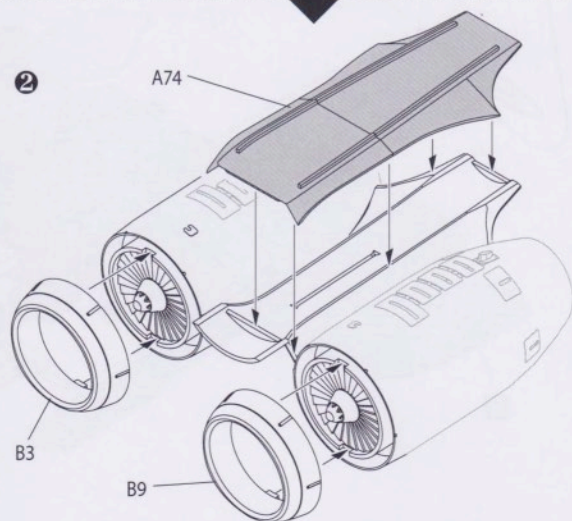


1



Engine cover

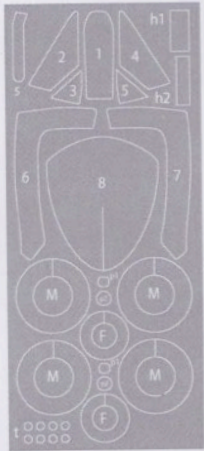
2



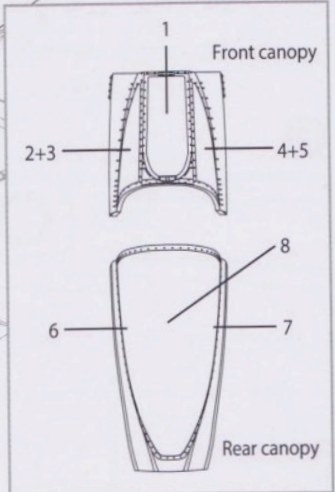
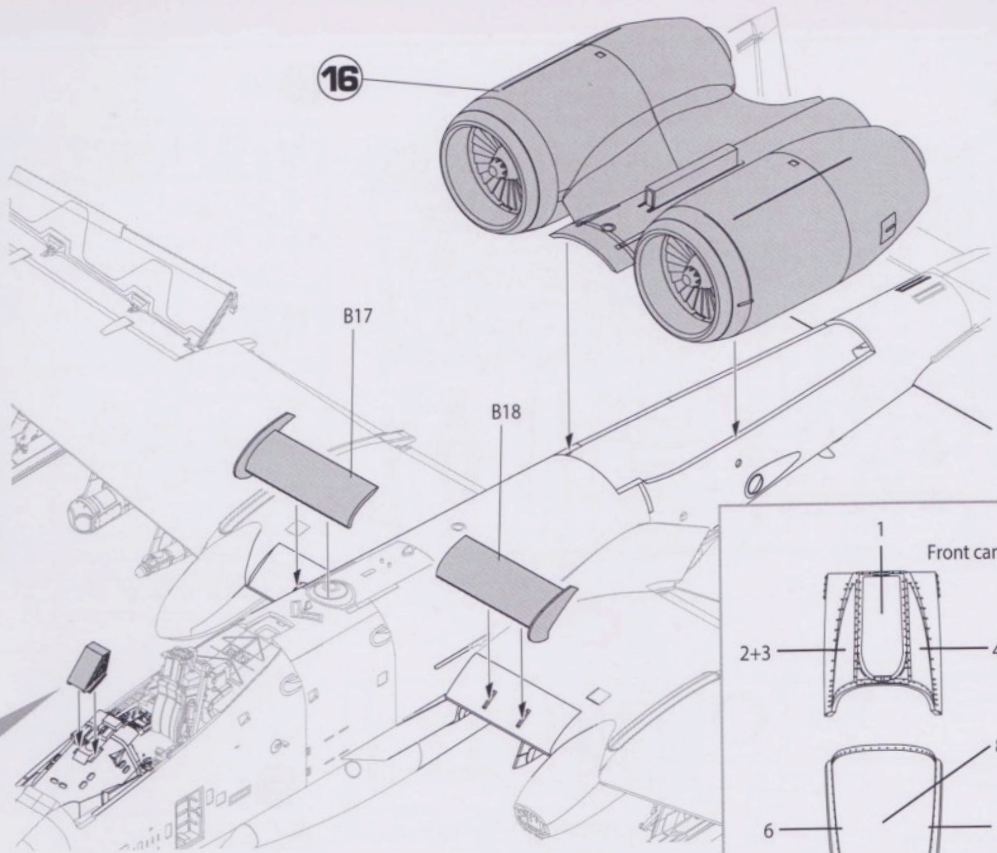
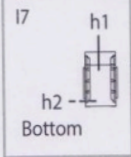


17

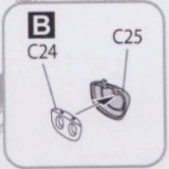
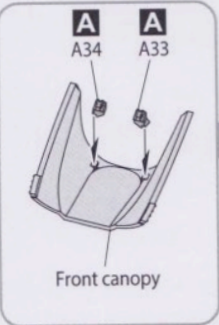
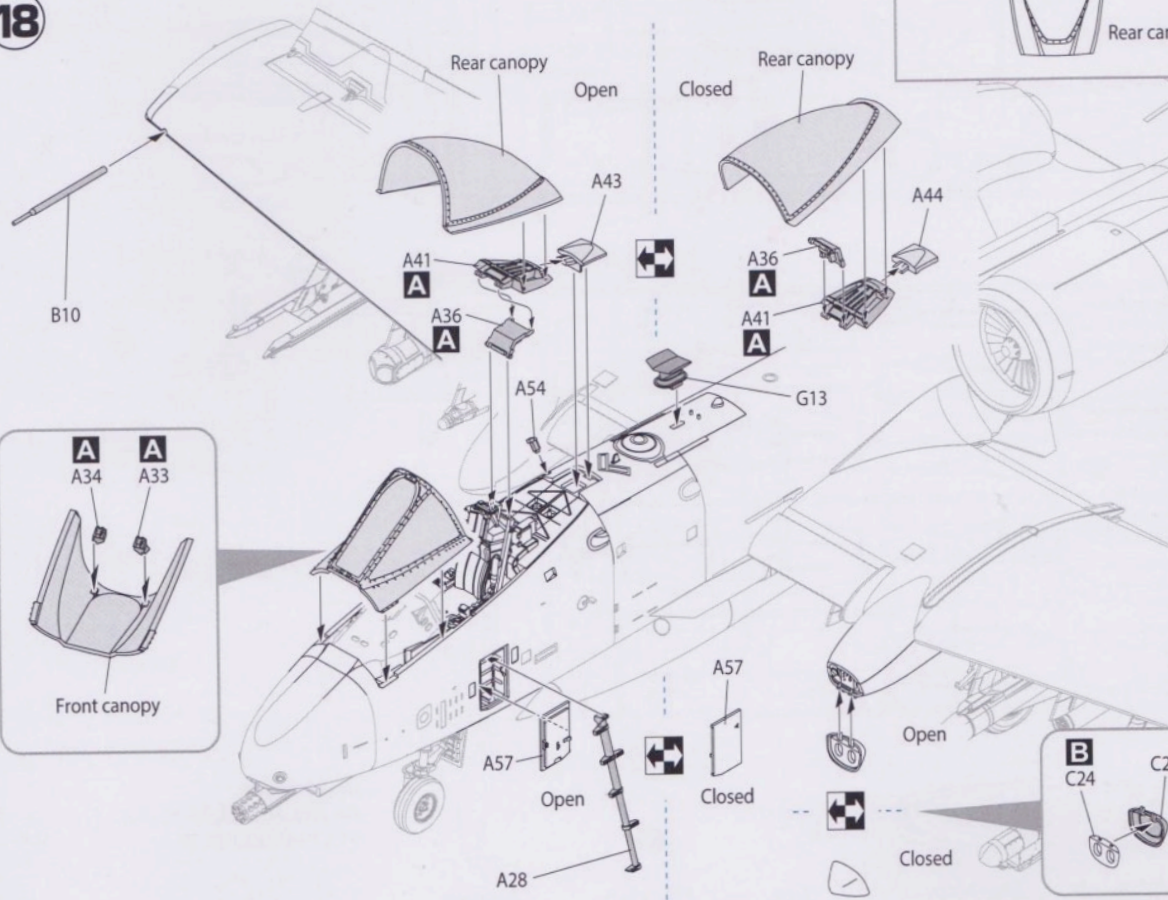
16

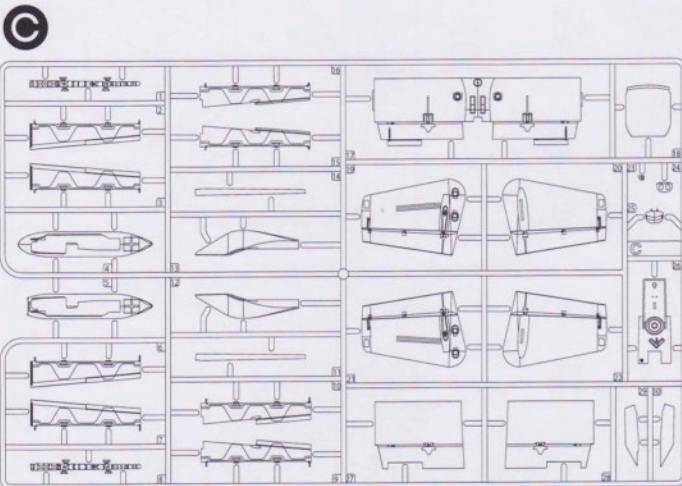
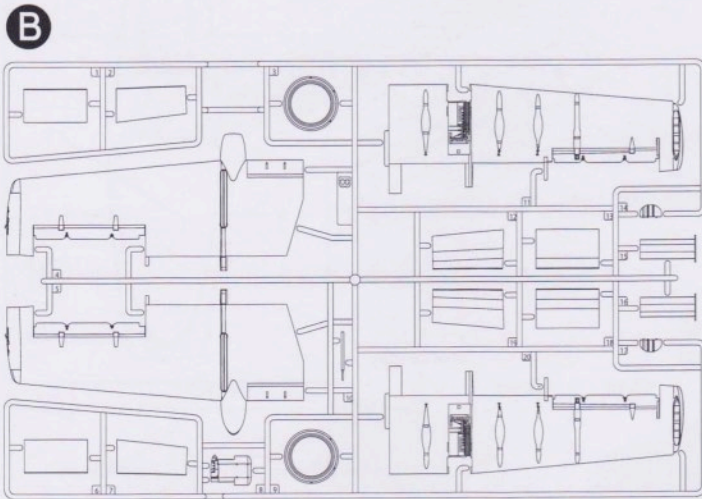
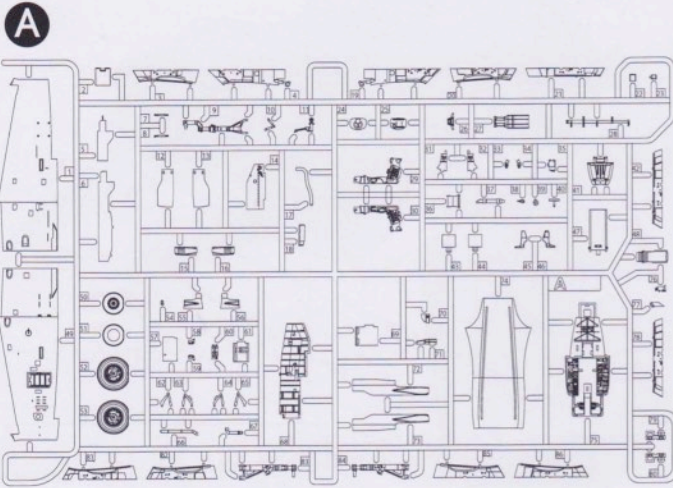


Masking tape



18





Front canopy



Rear canopy



Nose

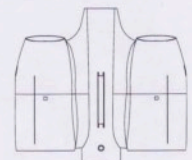
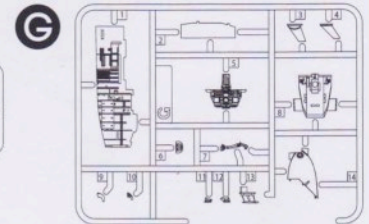
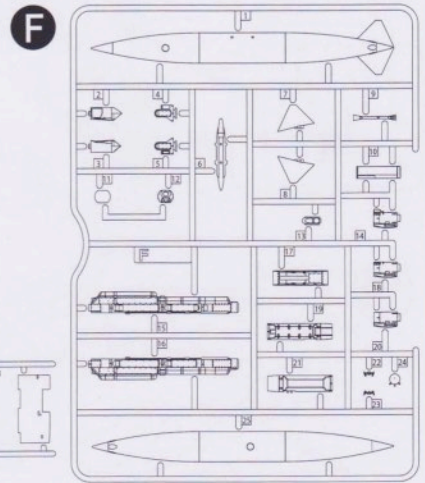
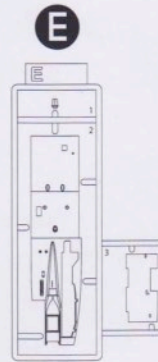
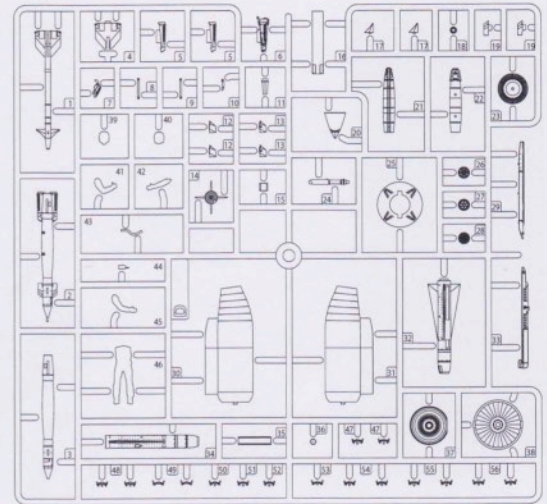


Rotary gun



Fuselage

D X2

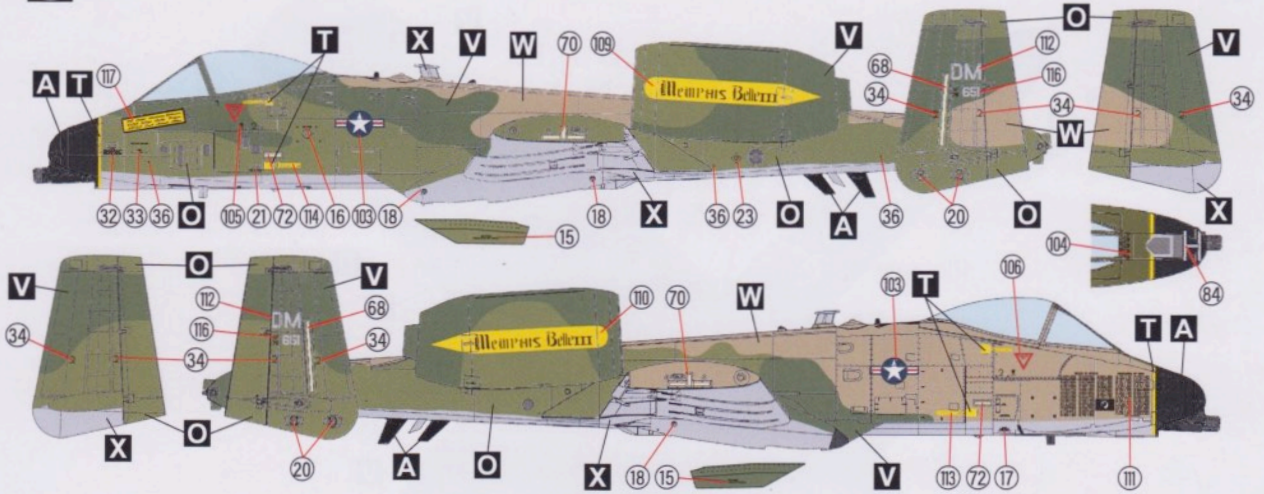


Engine cover

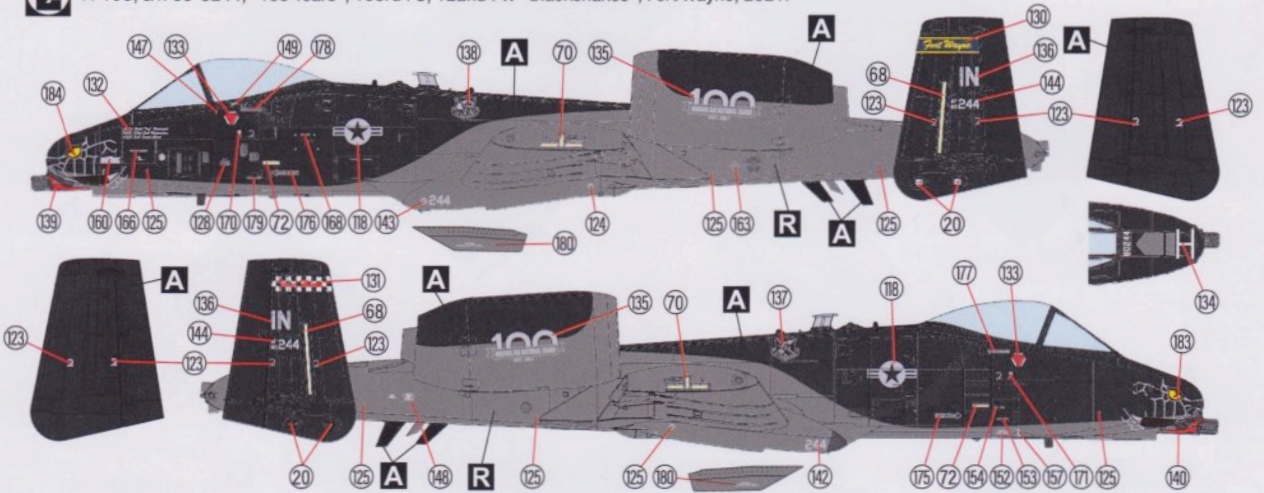
Unused parts

A6, A72, A73, F2, F3, F6, F10  
F13, F14, F20, F21, I1

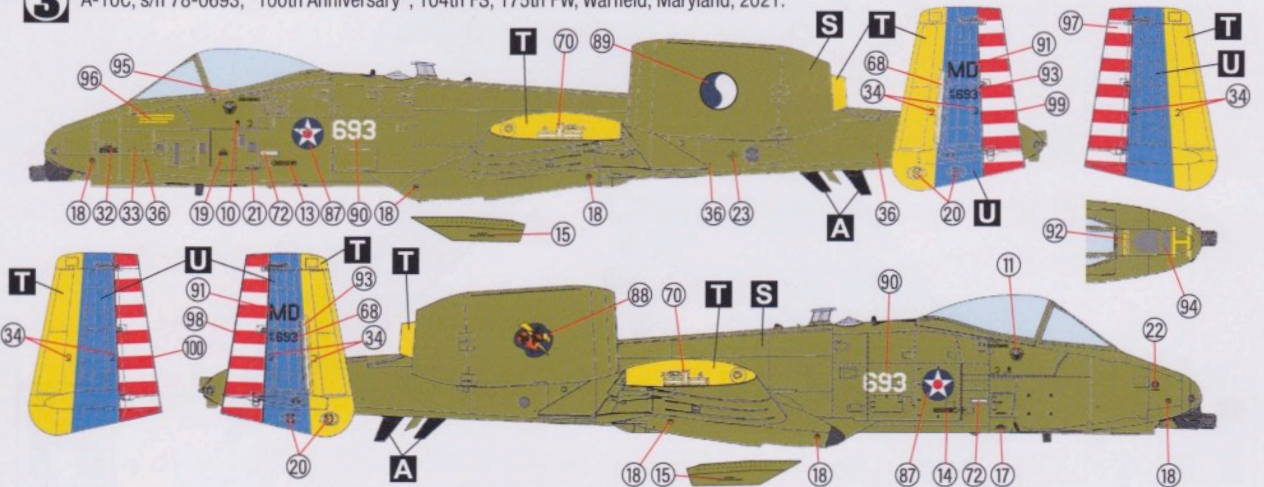
**1** A-10C, s/n 78-0651, "Memphis Belle III", Cpt. Lindsay "Mad" Johnson, A-10C Thunderbolt II Demonstration Team, Davis-Monthan, 2023.



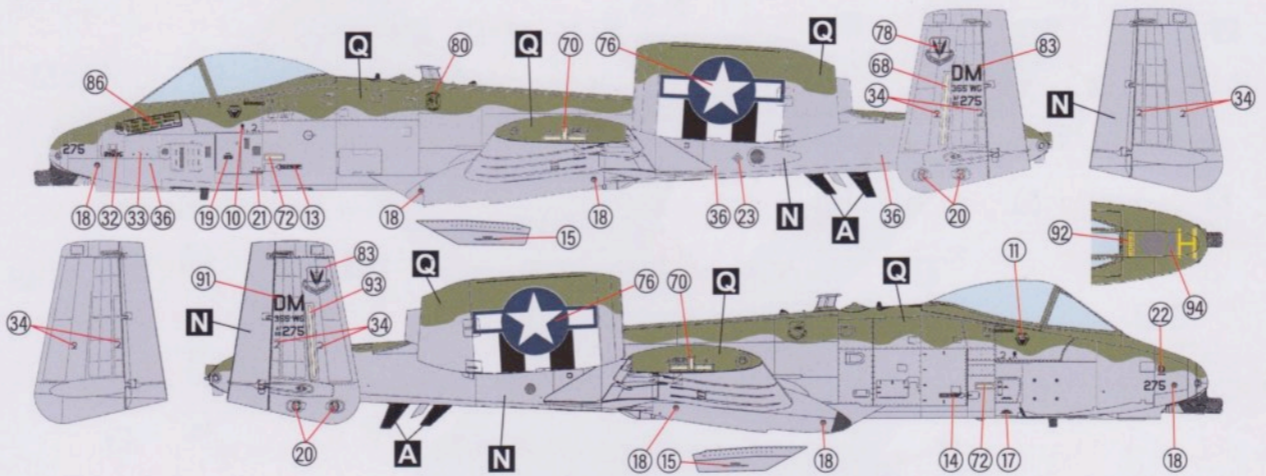
**2** A-10C, s/n 80-0244, "100 Years", 163rd FS, 122nd FW "Blacksnakes", Fort Wayne, 2021.



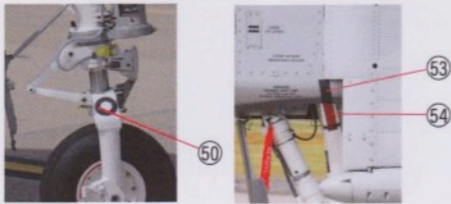
**3** A-10C, s/n 78-0693, "100th Anniversary", 104th FS, 175th FW, Warfield, Maryland, 2021.



**4** A-10C, s/n 80-0275, Major Cody "ShIV" Wilton, A-10C Thunderbolt II Demonstration Team, Davis-Monthan, 2019-2020.



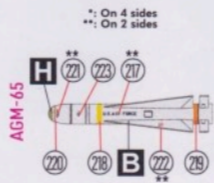
Front landing gear



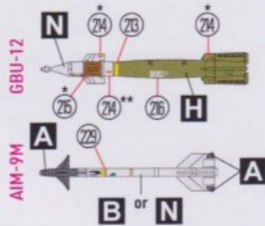
Rear landing gear Left



\* ( ) is right number.



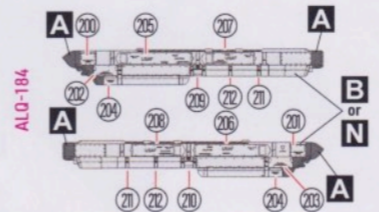
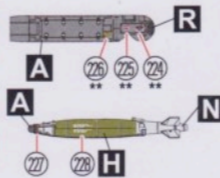
\*\* On 4 sides  
\*\* On 2 sides



GBU-12

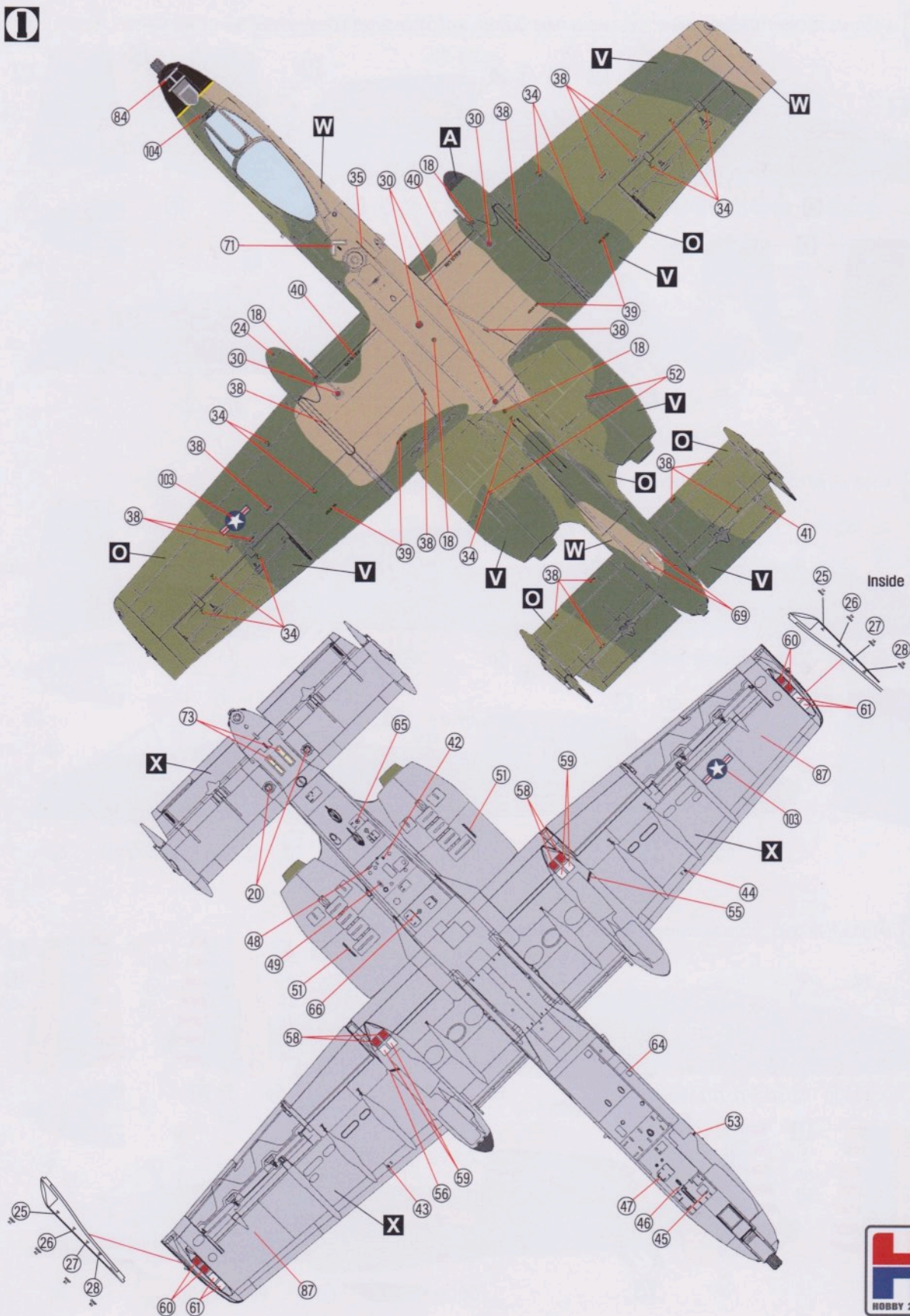
AIM-9M

GBU-54 (GBU-38) AAQ-28



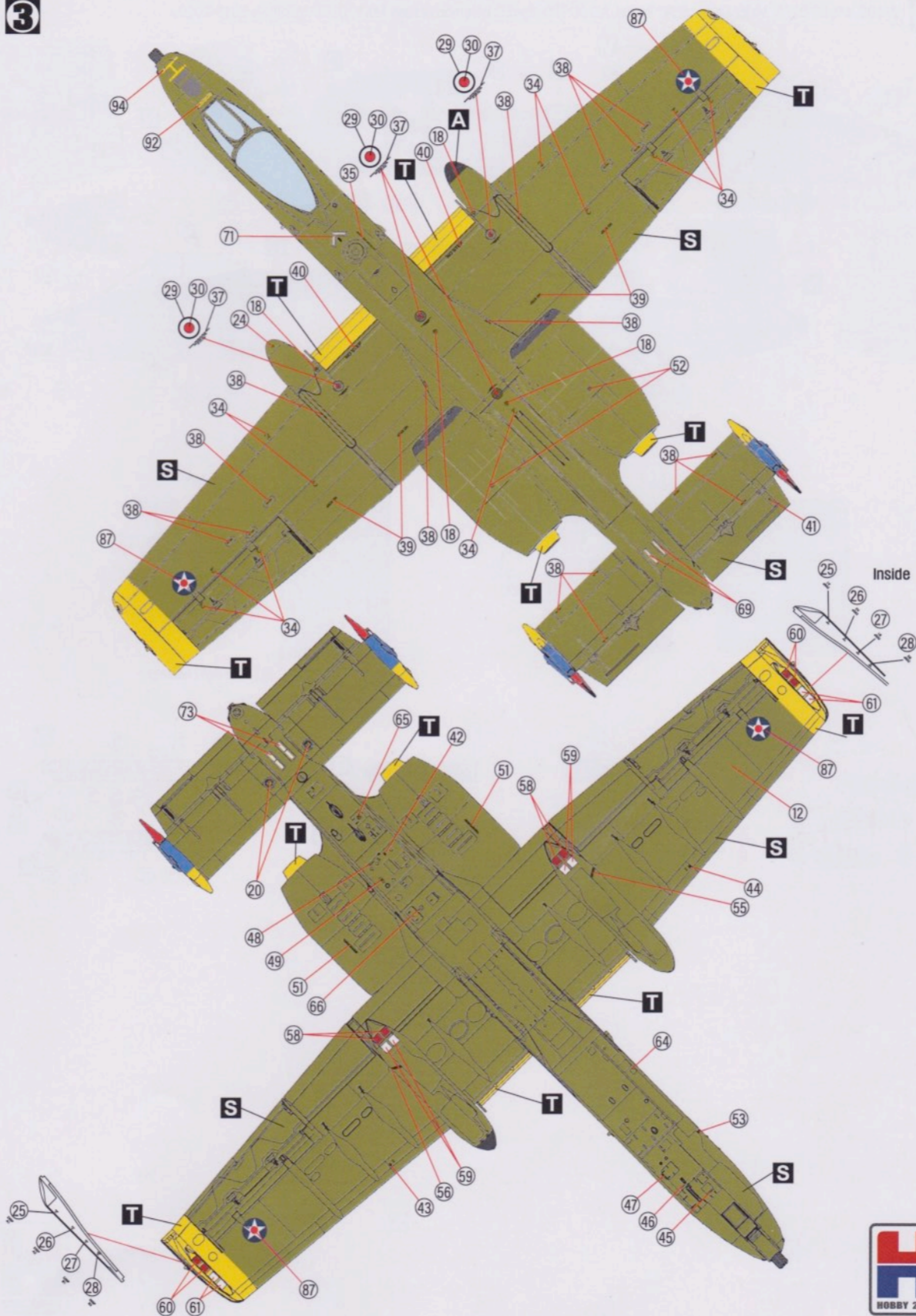
ALQ-184





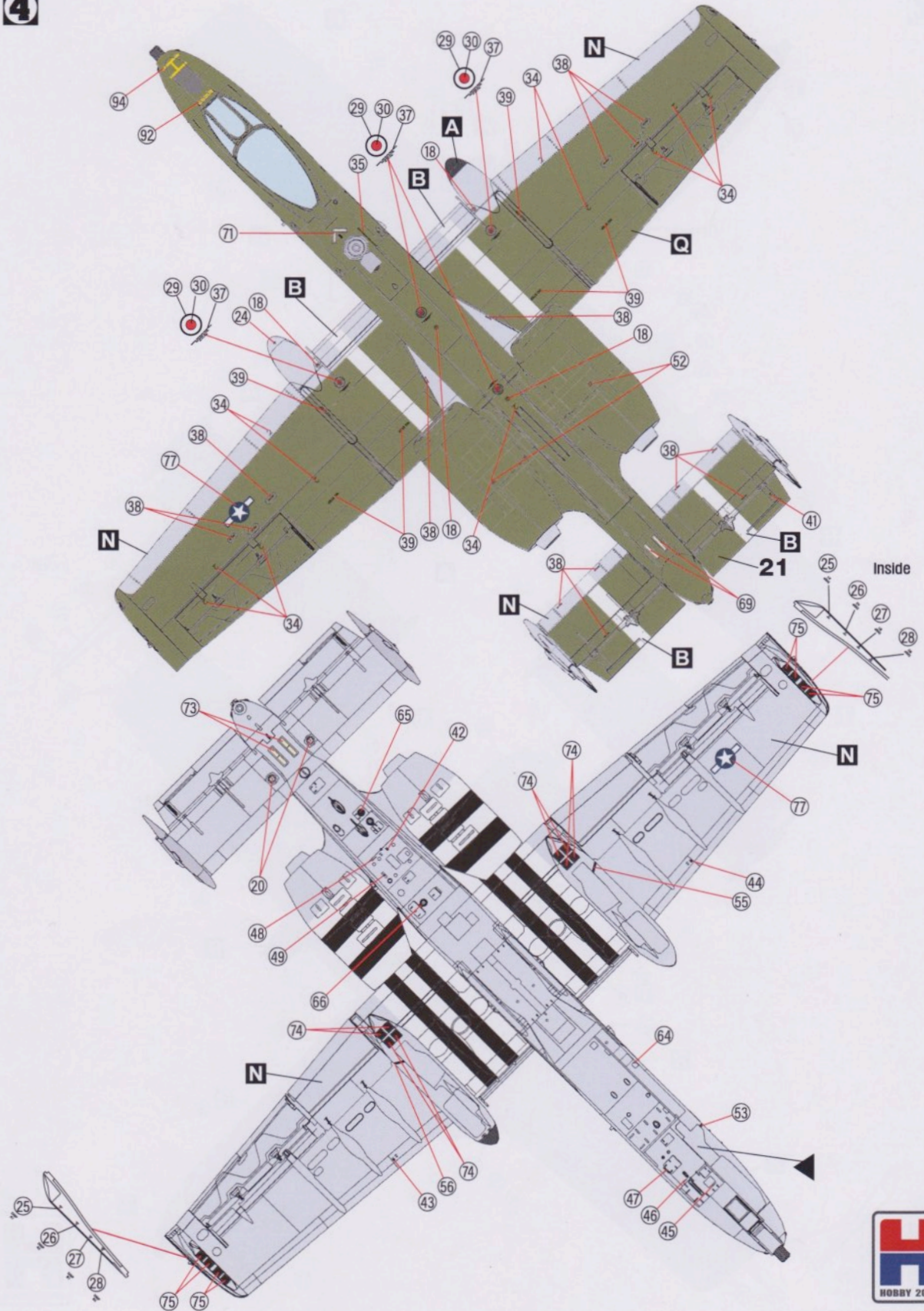


3



48029

4



48029