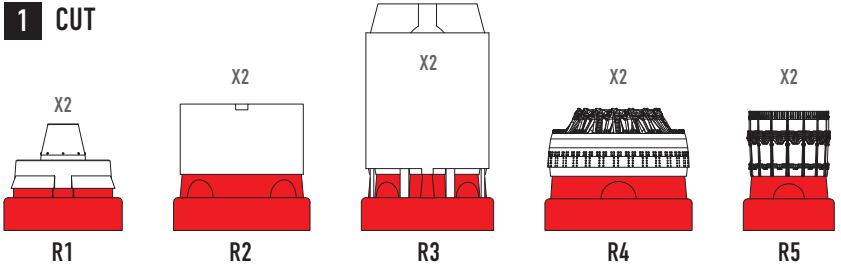
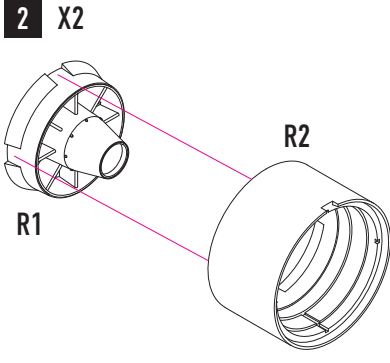


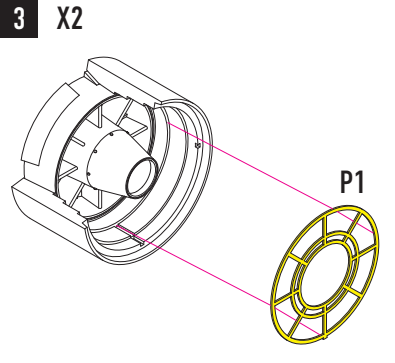
1 CUT



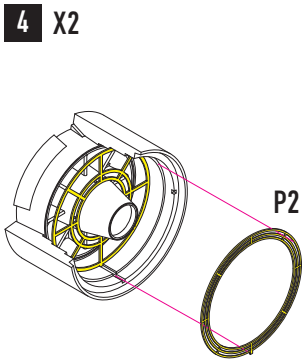
2 X2



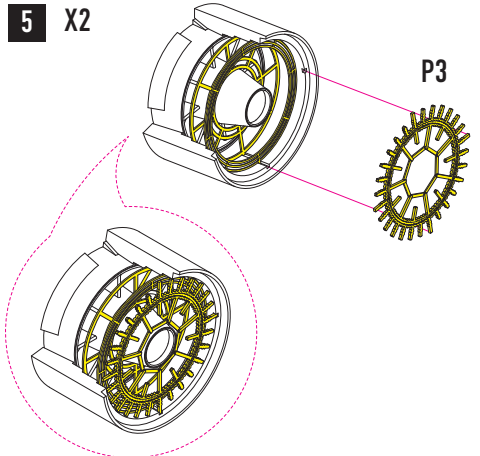
3 X2



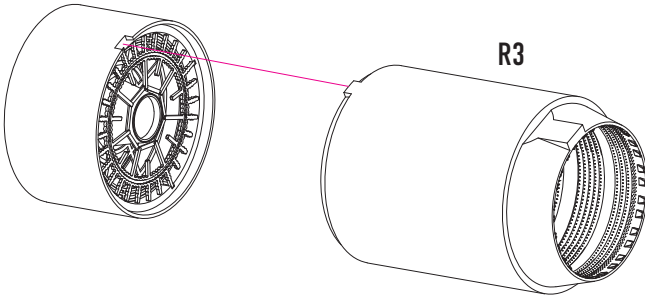
4 X2



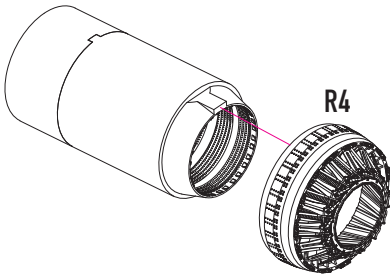
5 X2



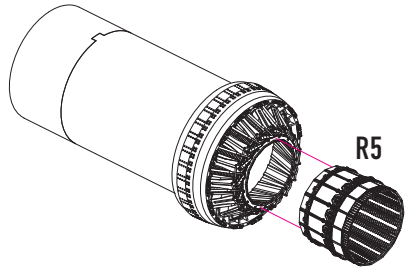
6 X2



7 X2



8 X2



9 X2

