

Instruction

模型拼裝說明書

1:35 Scale



**KITTY
HAWK**

AH-6J/MH-6J

Little Bird (with figures)



美国AH-6J/MH-6J“小鸟”直升机

KH50004

Please visit our web site at
www.kittyhawkmodel.com

READ BEFORE ASSEMBLY

在組合您的模型之前，請充分閱讀本冊說明書。組合模型您需要如下物品（需另購）：模型膠水；模型膠水；模型膠水。視您制作愉快！

Before assembling your model kit, read through these instructions carefully. To assemble this kit, you will need Plastic glue (not include). A pair of side cutter or a sharp modelling knife is required for removing parts from the frame. Plastic mould lines can be removed with the modelling knife.



塗色
Painting



對側
Opposite



隨愛好選擇
Optional



鉆孔
Make Hole

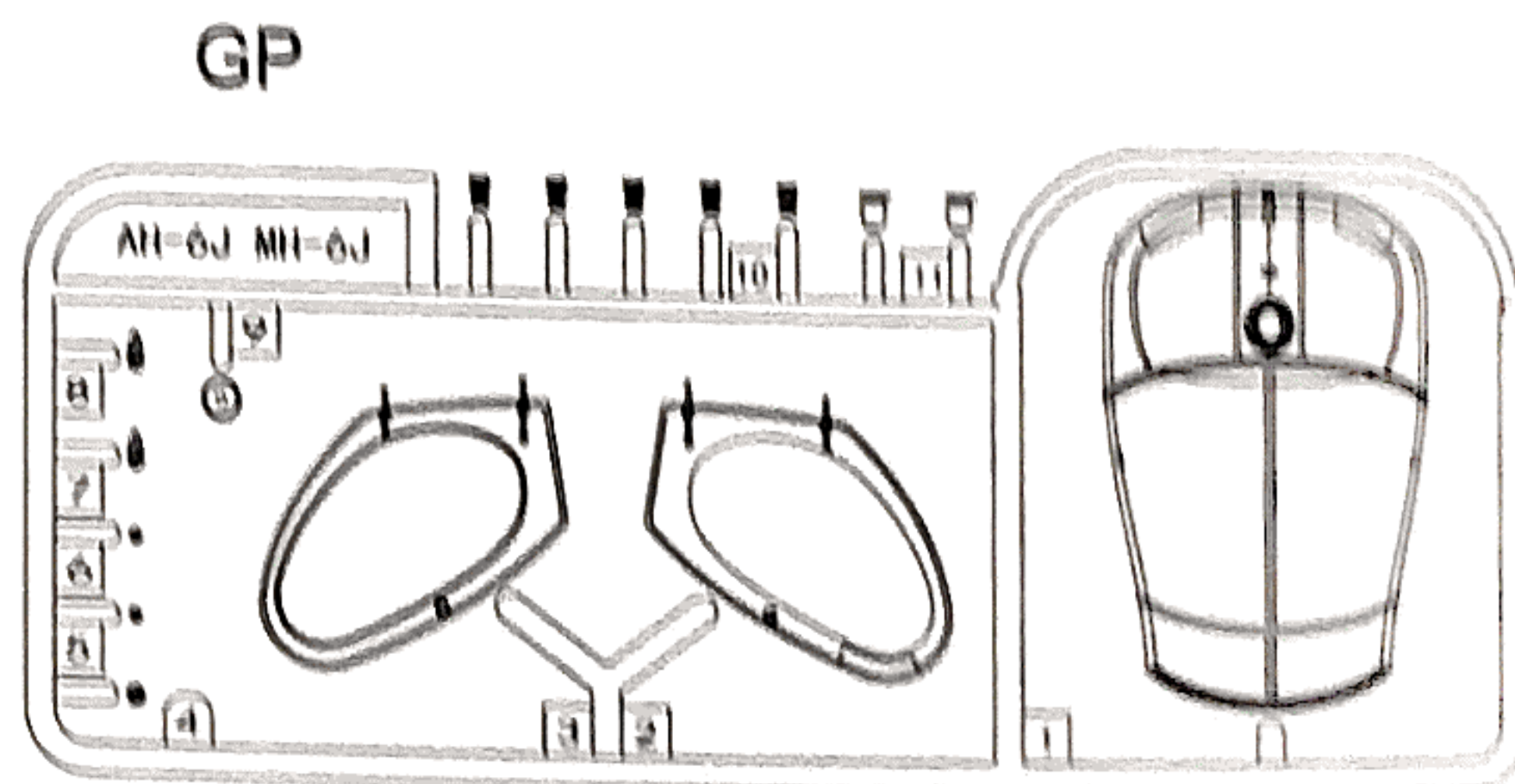
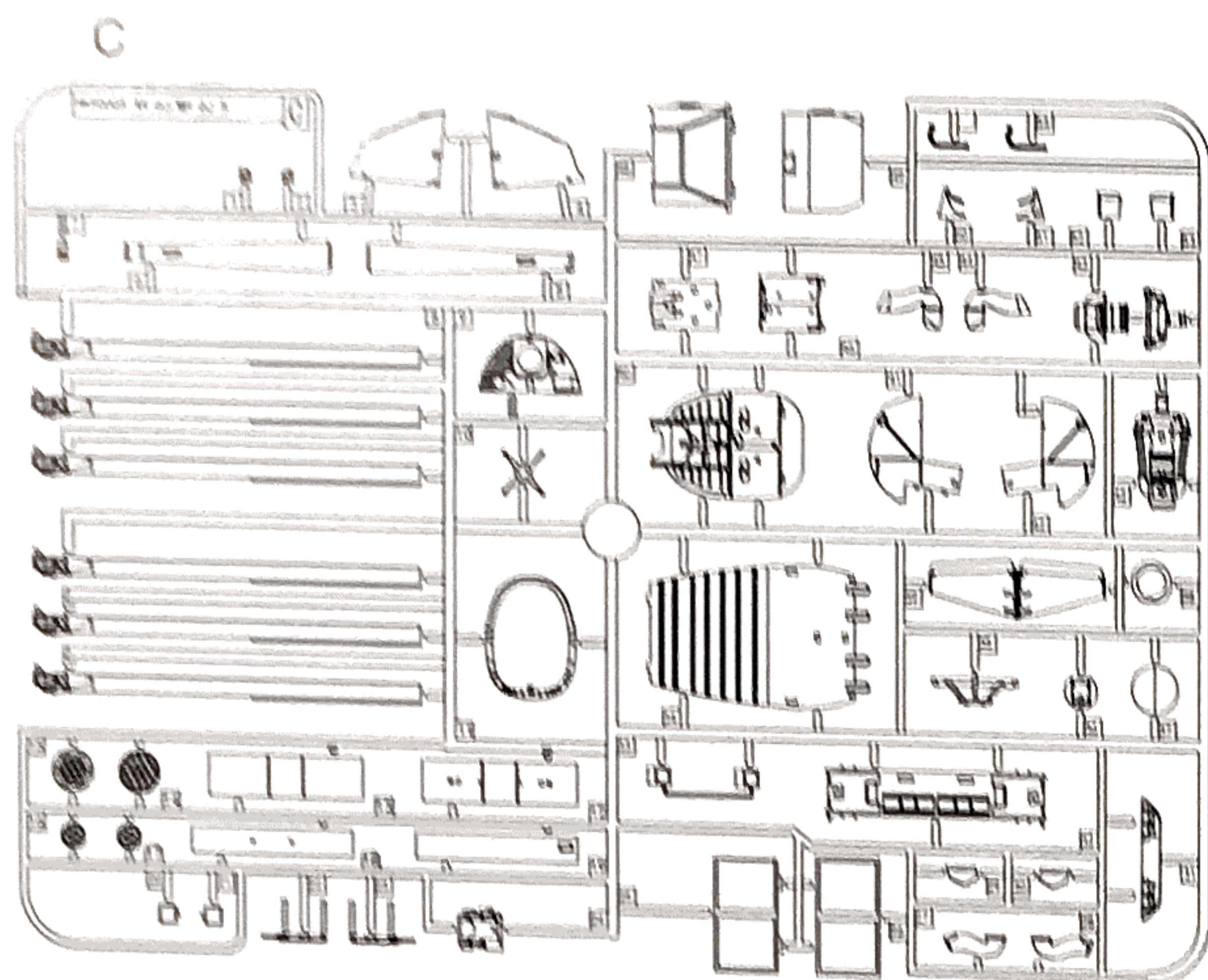
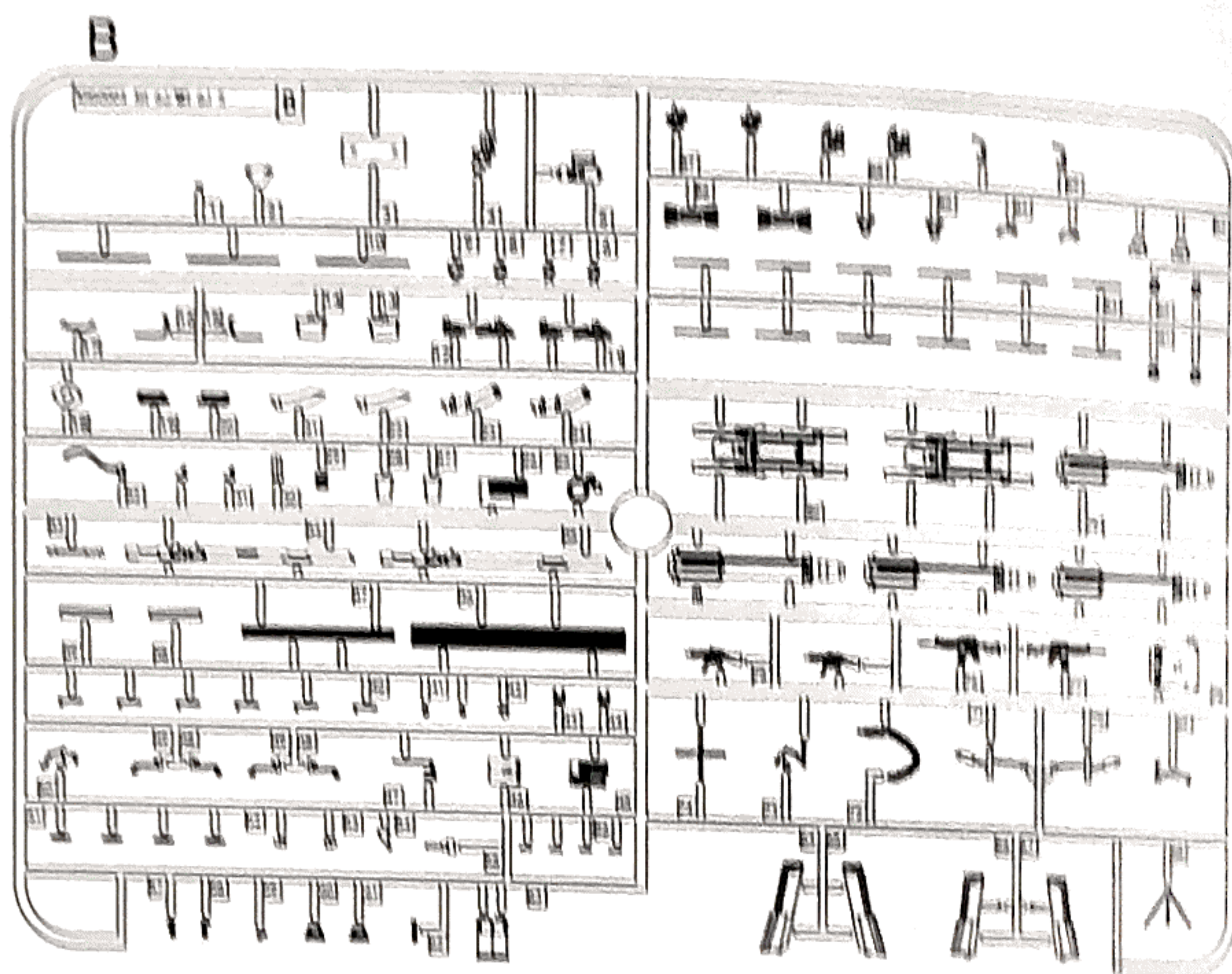
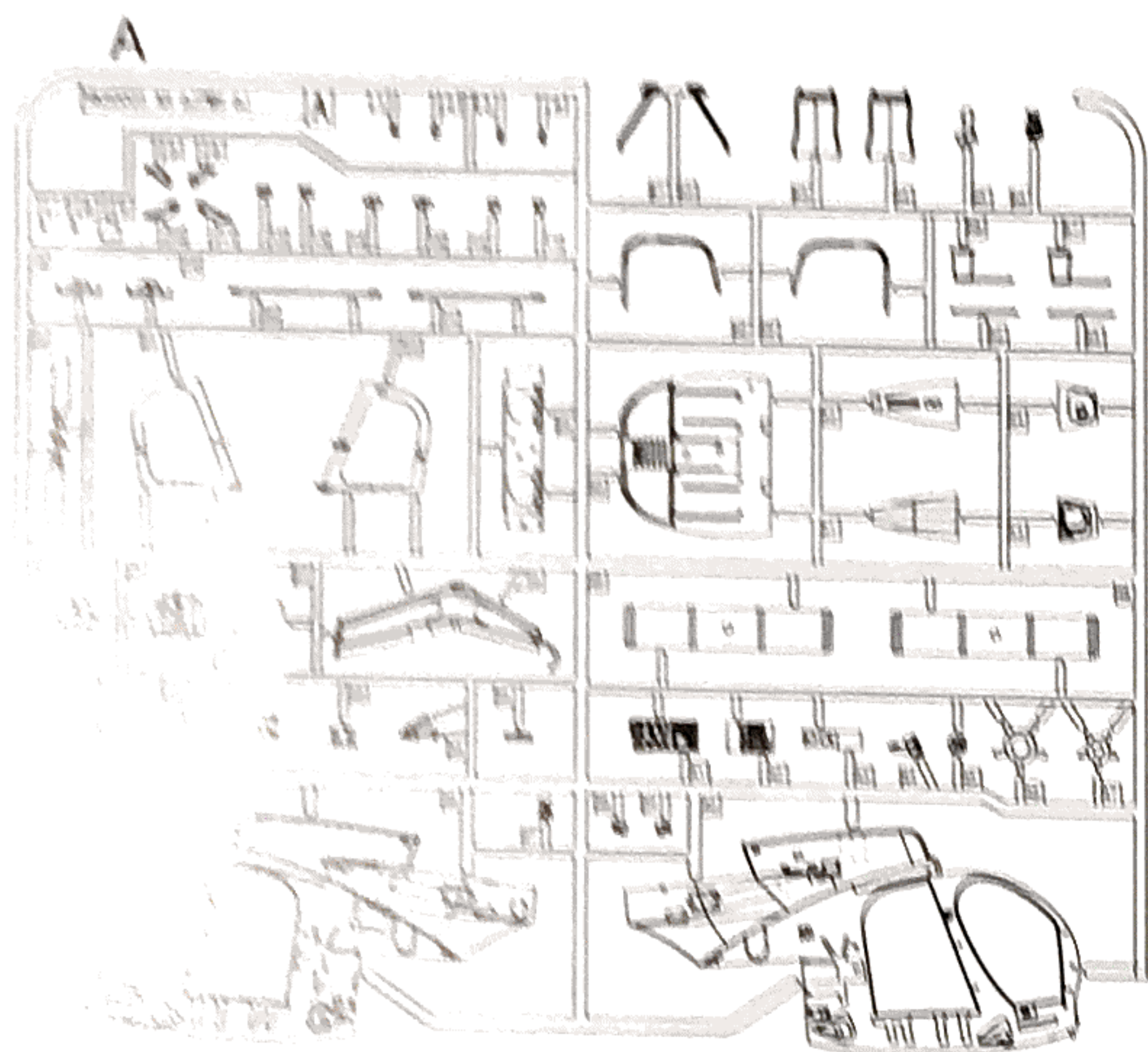


制作兩組
Make Two

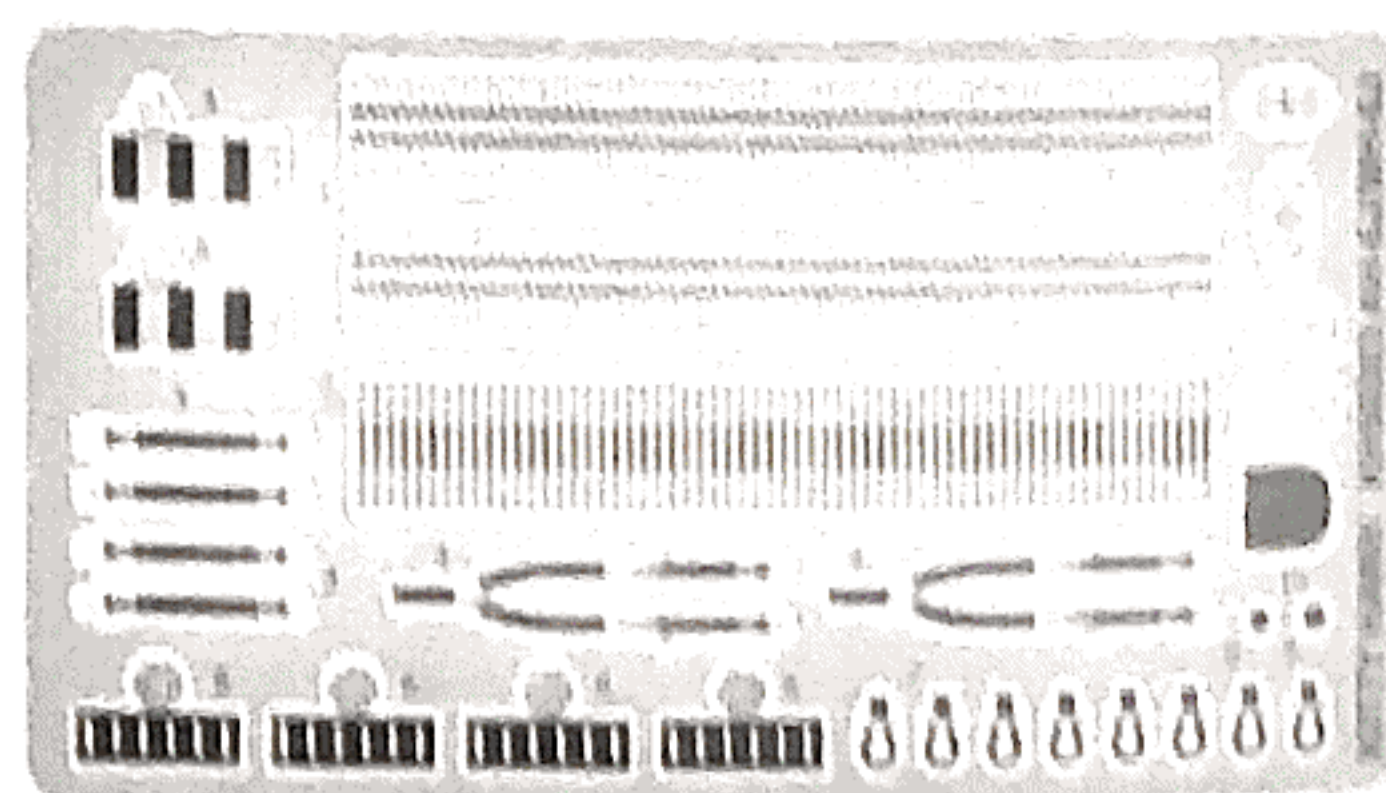


彎曲
Bend

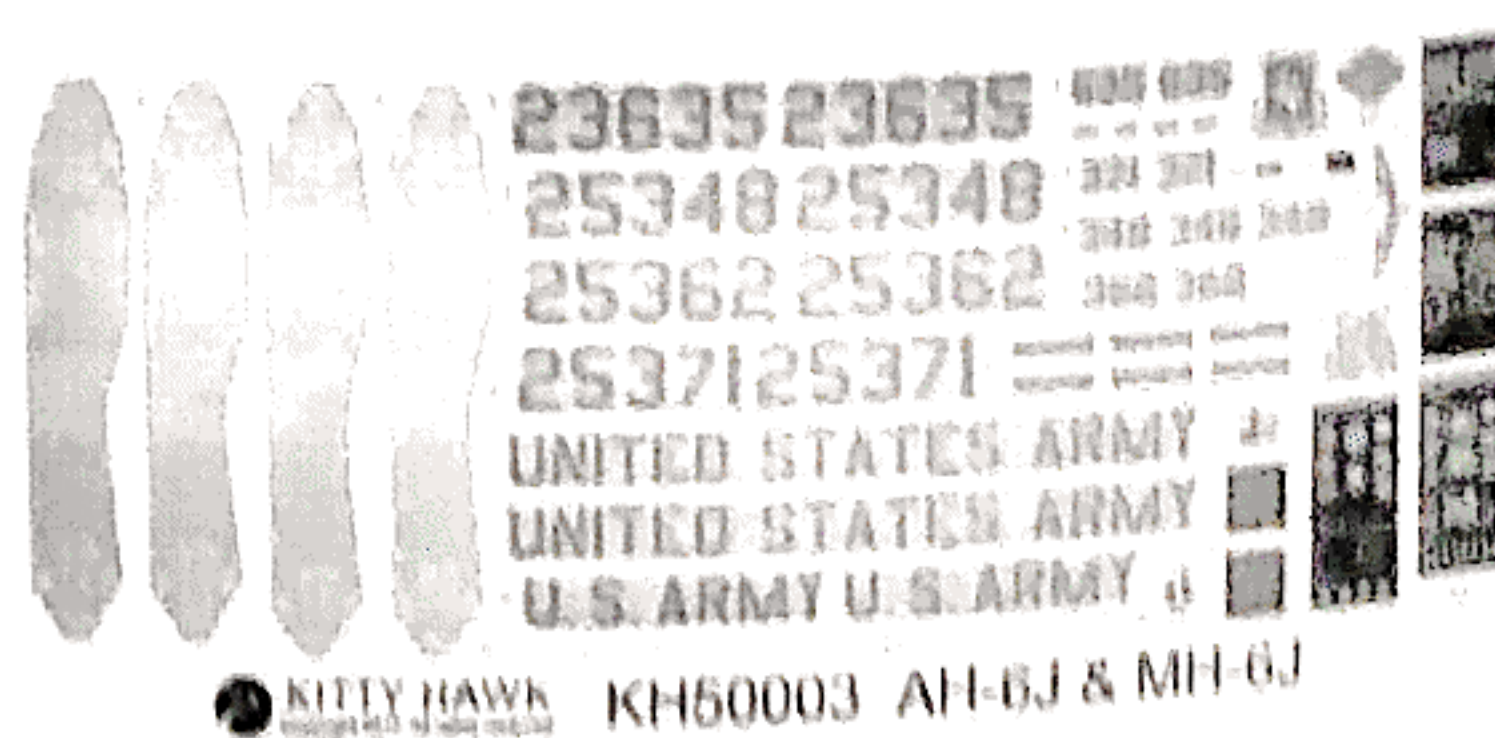
部品圖 Parts



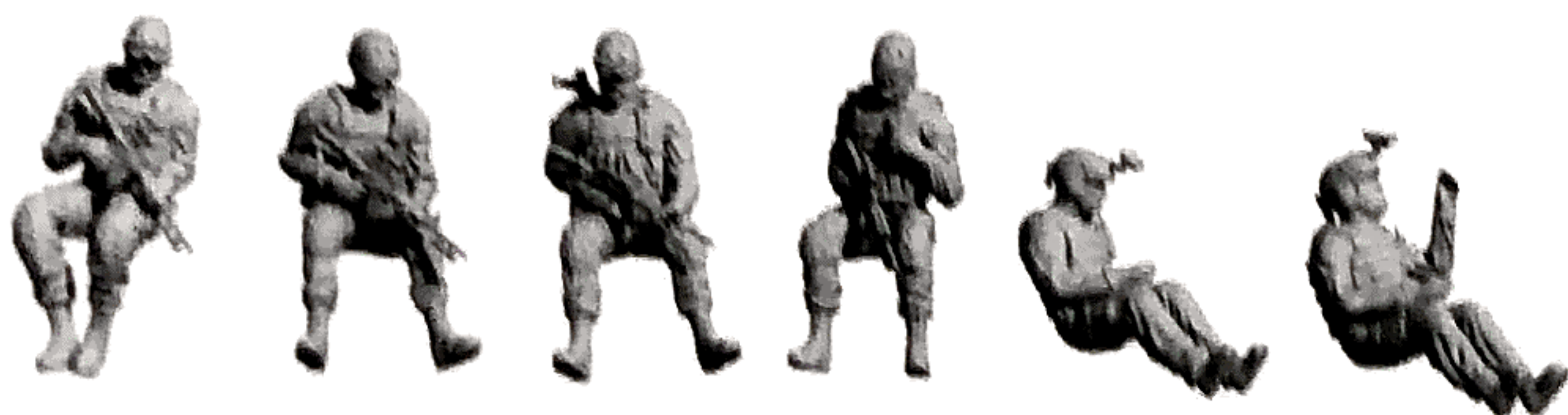
PE
蚀刻片

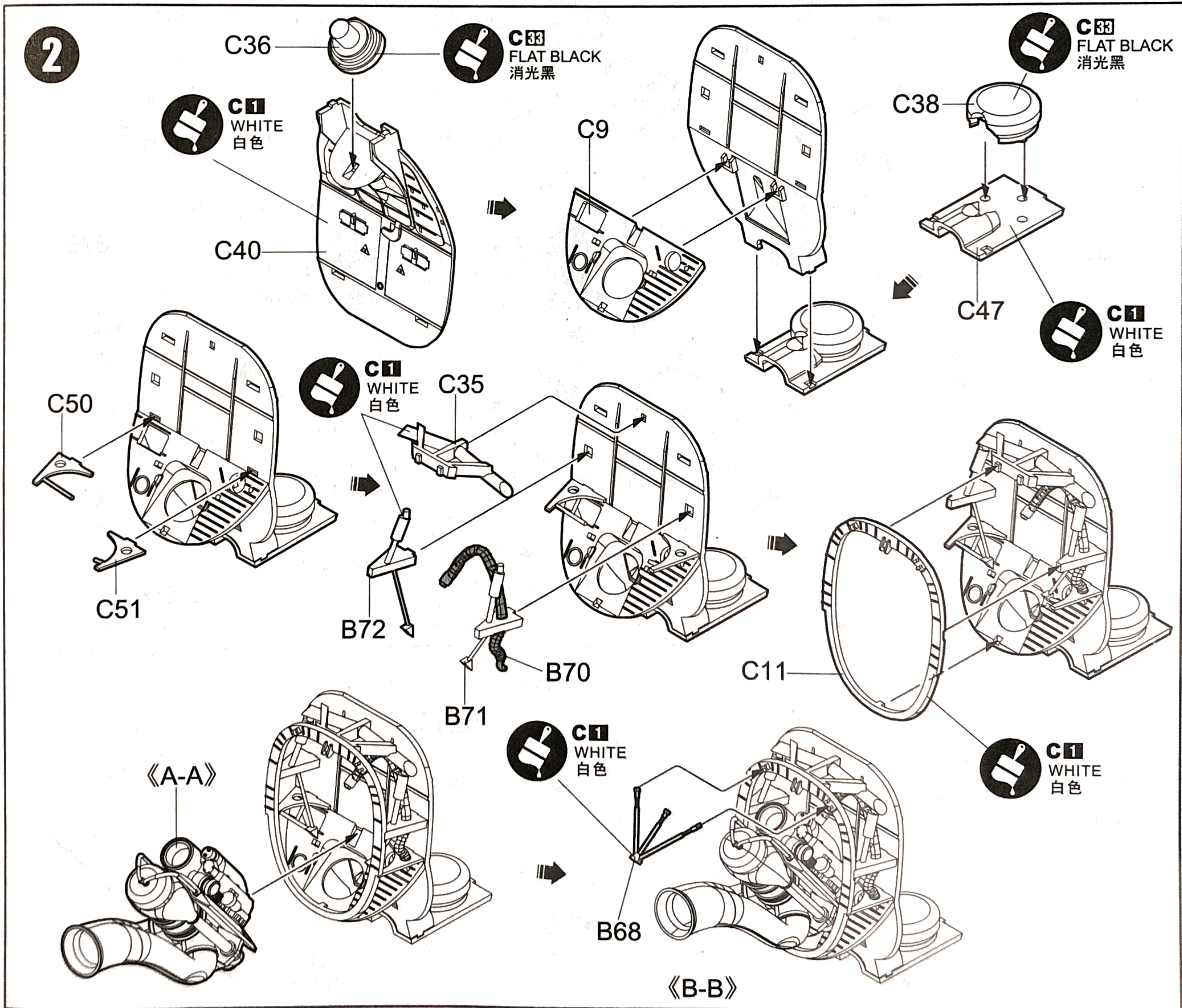
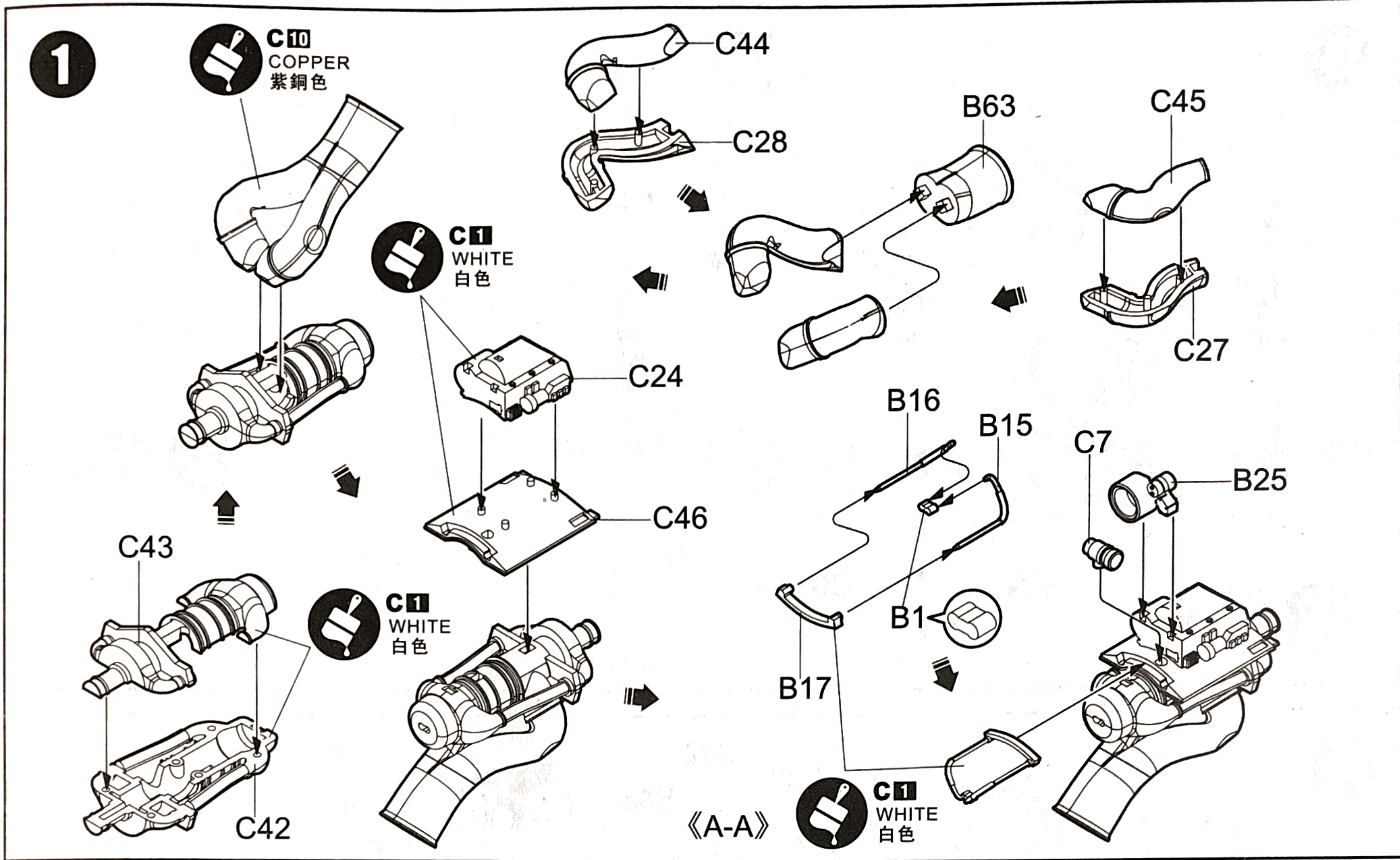


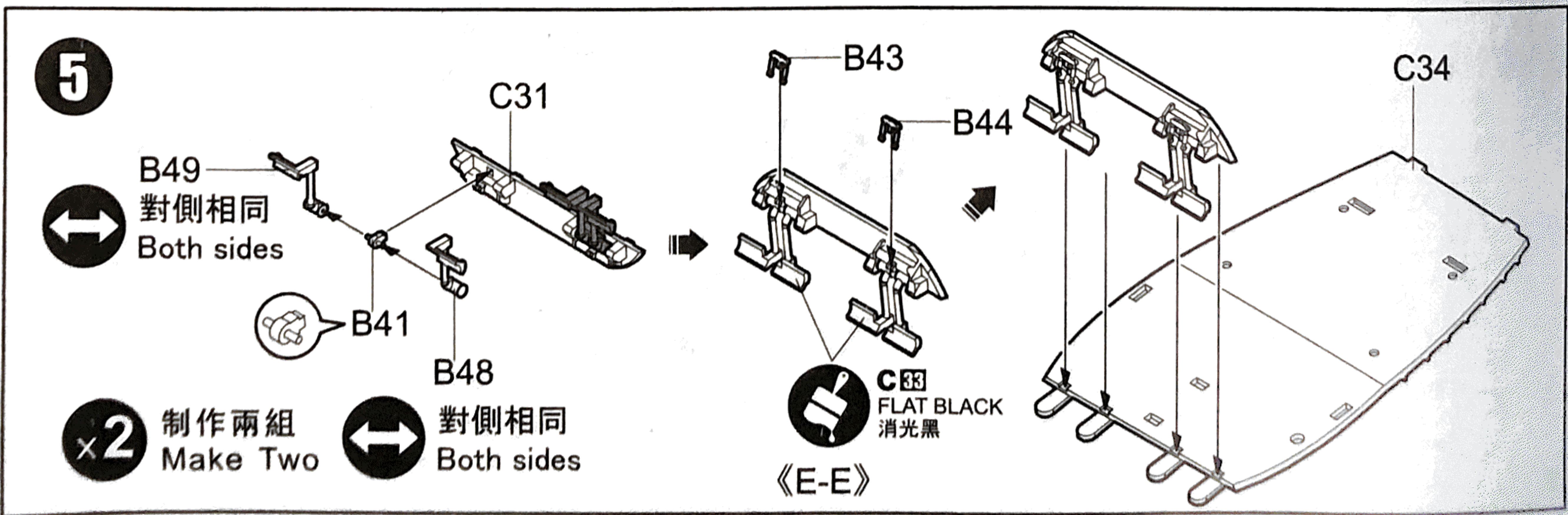
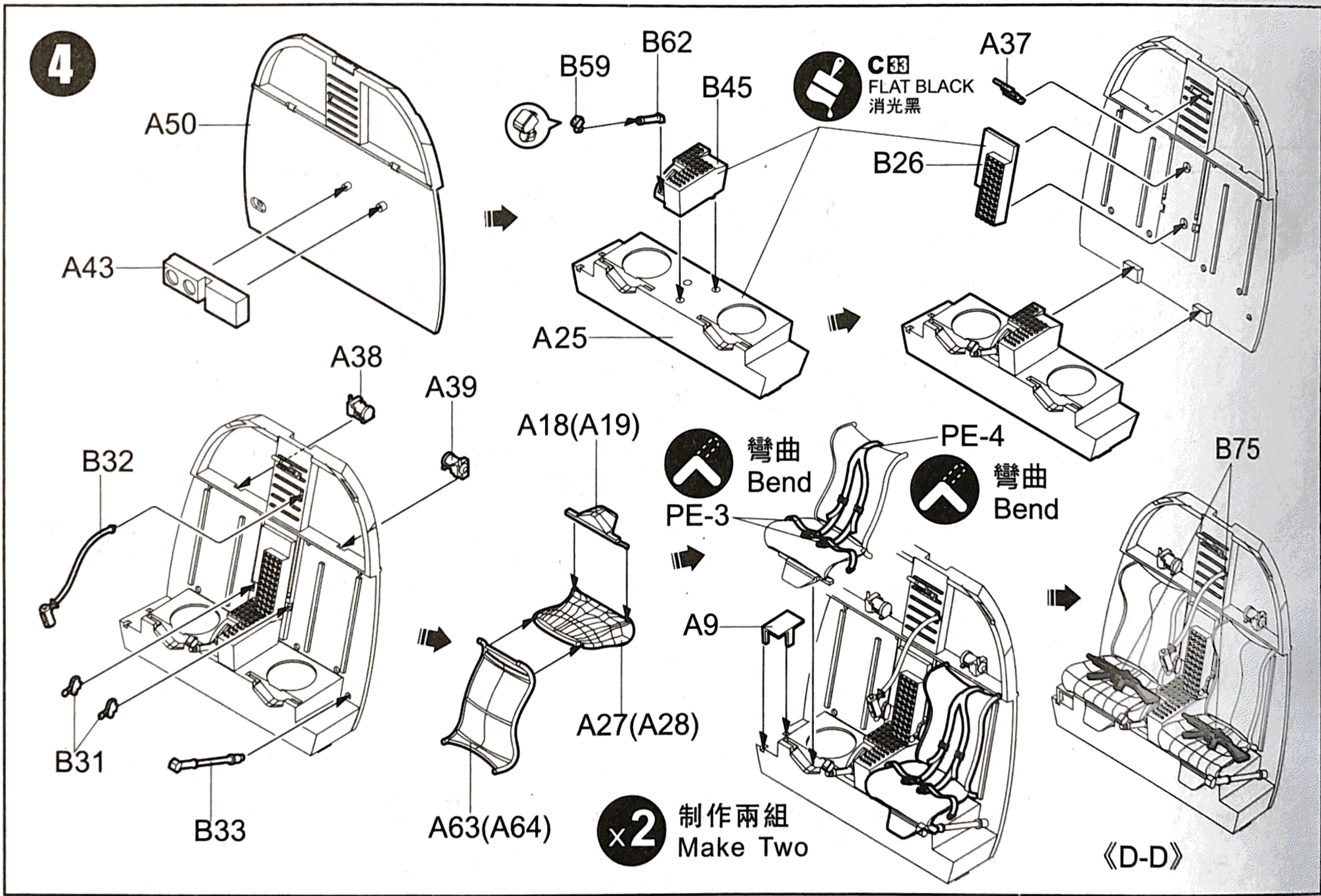
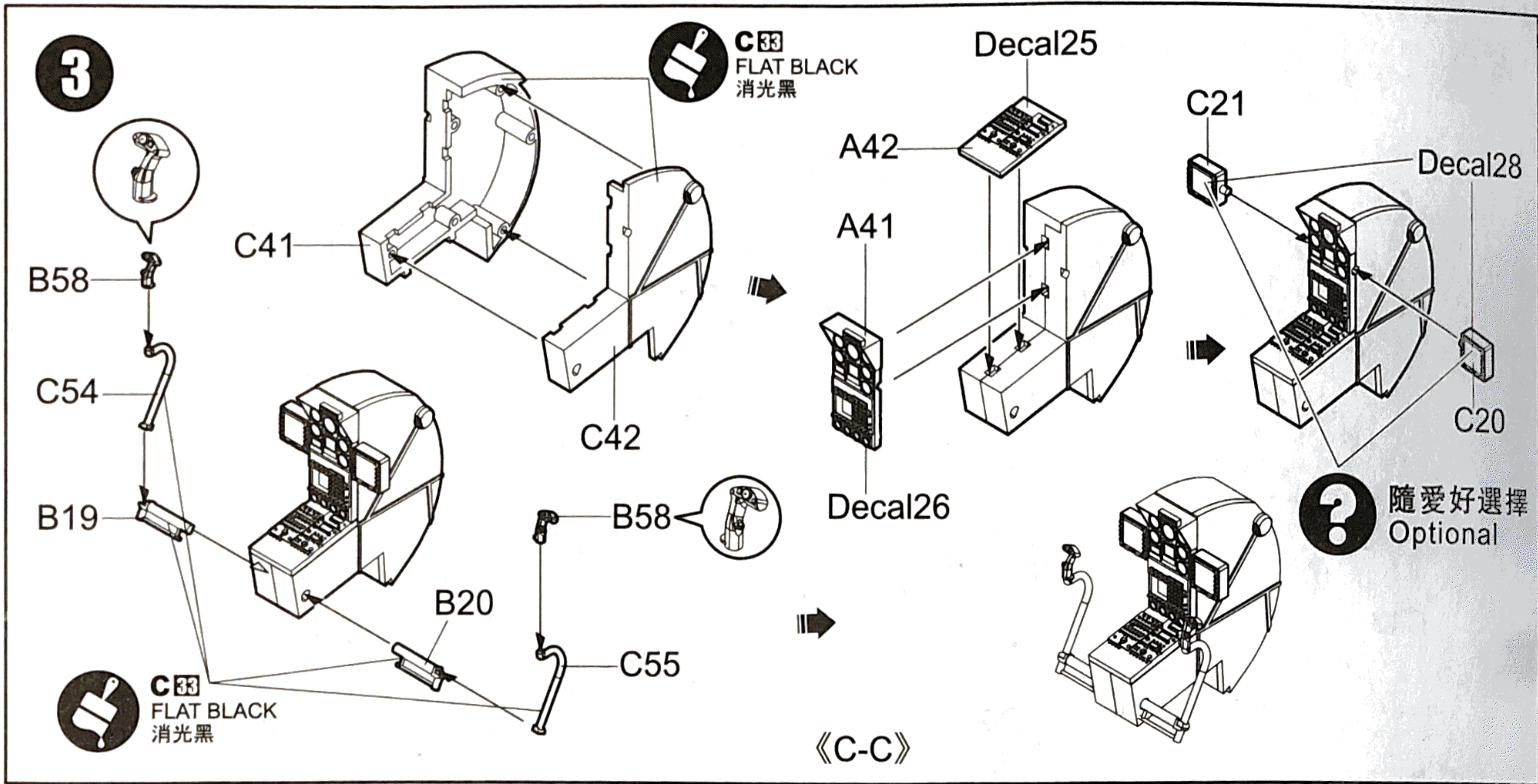
Decal A
水贴纸A



《树脂件》
RESIN PART

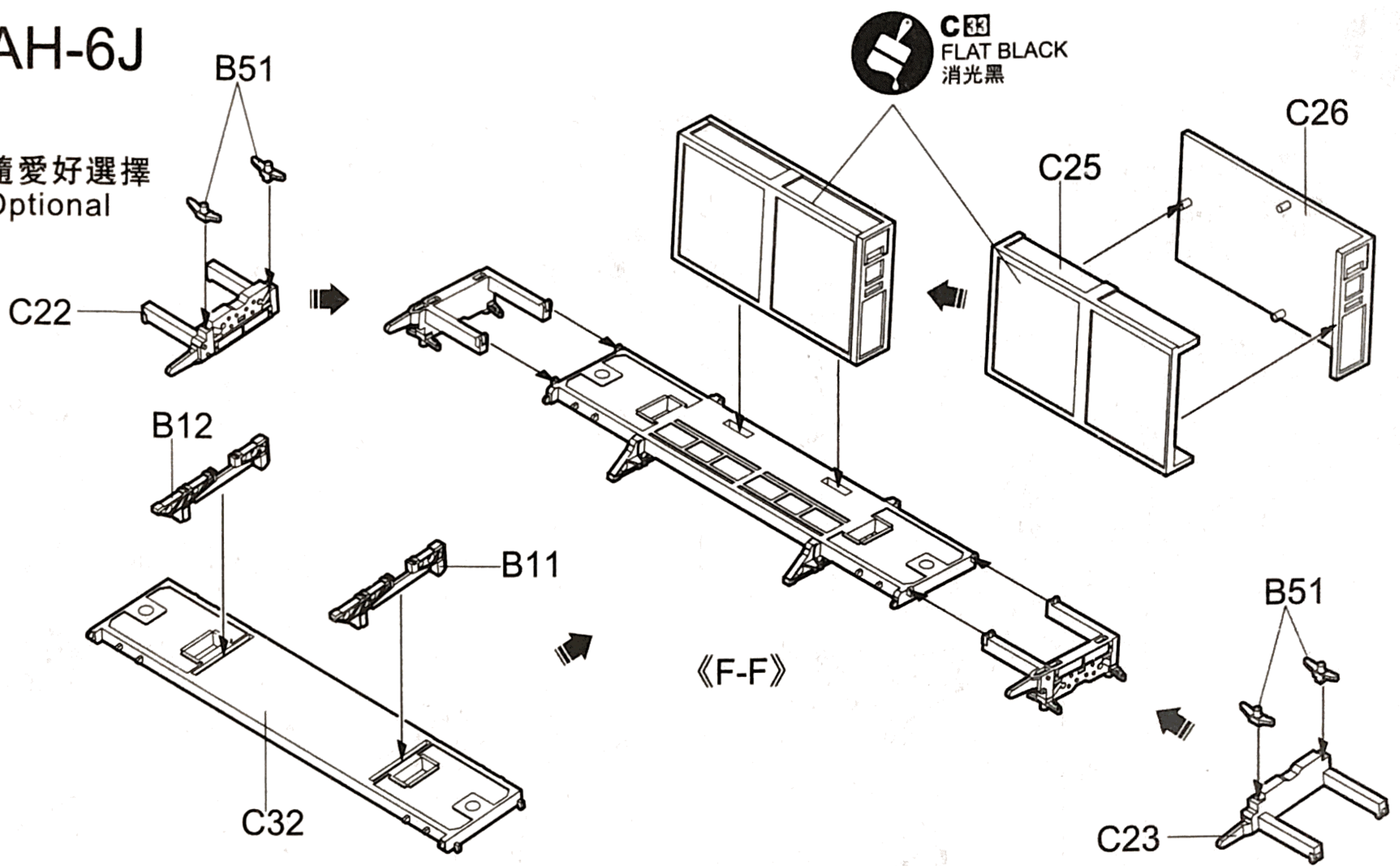






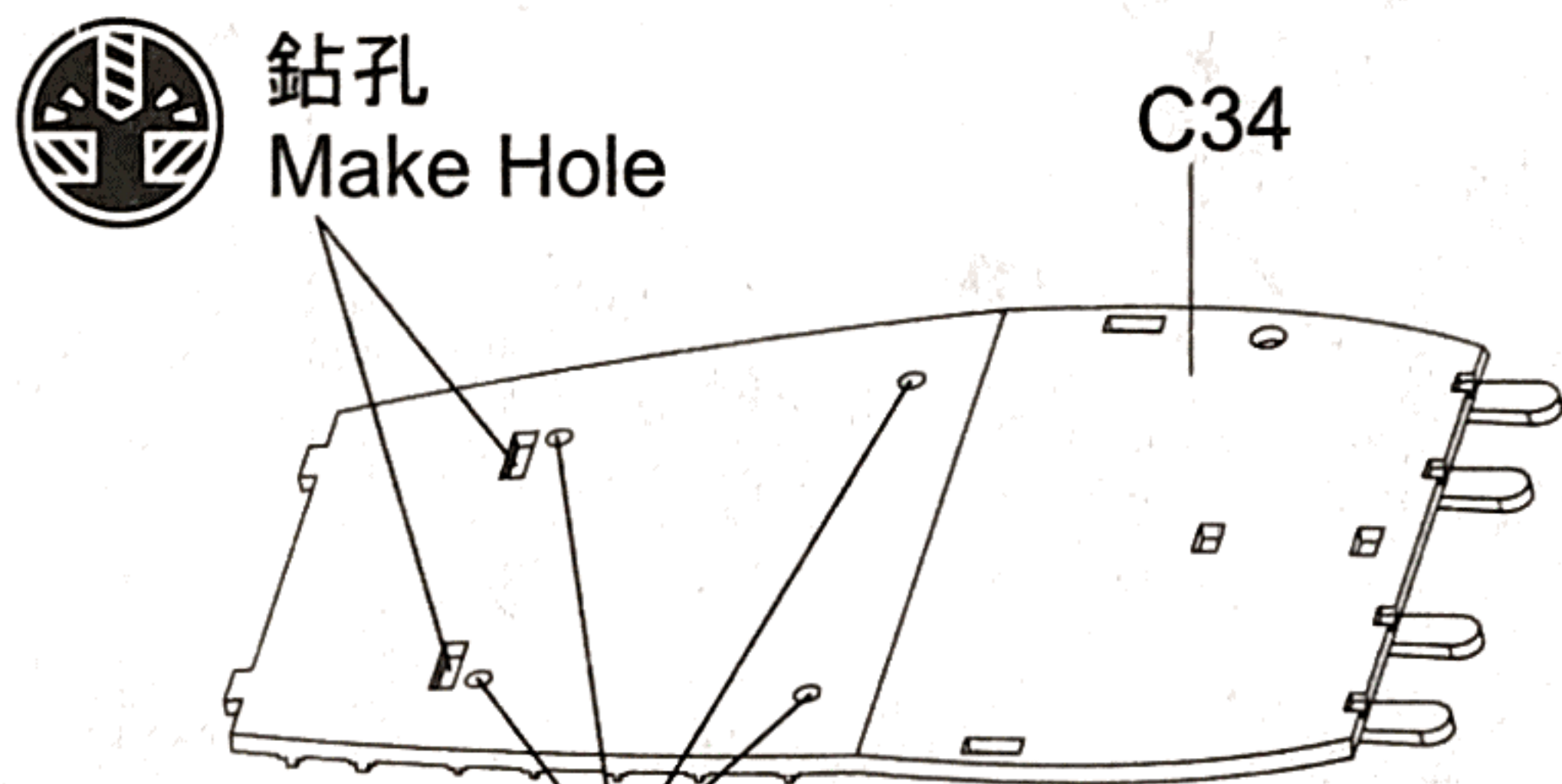
6 AH-6J

? 隨愛好選擇
Optional

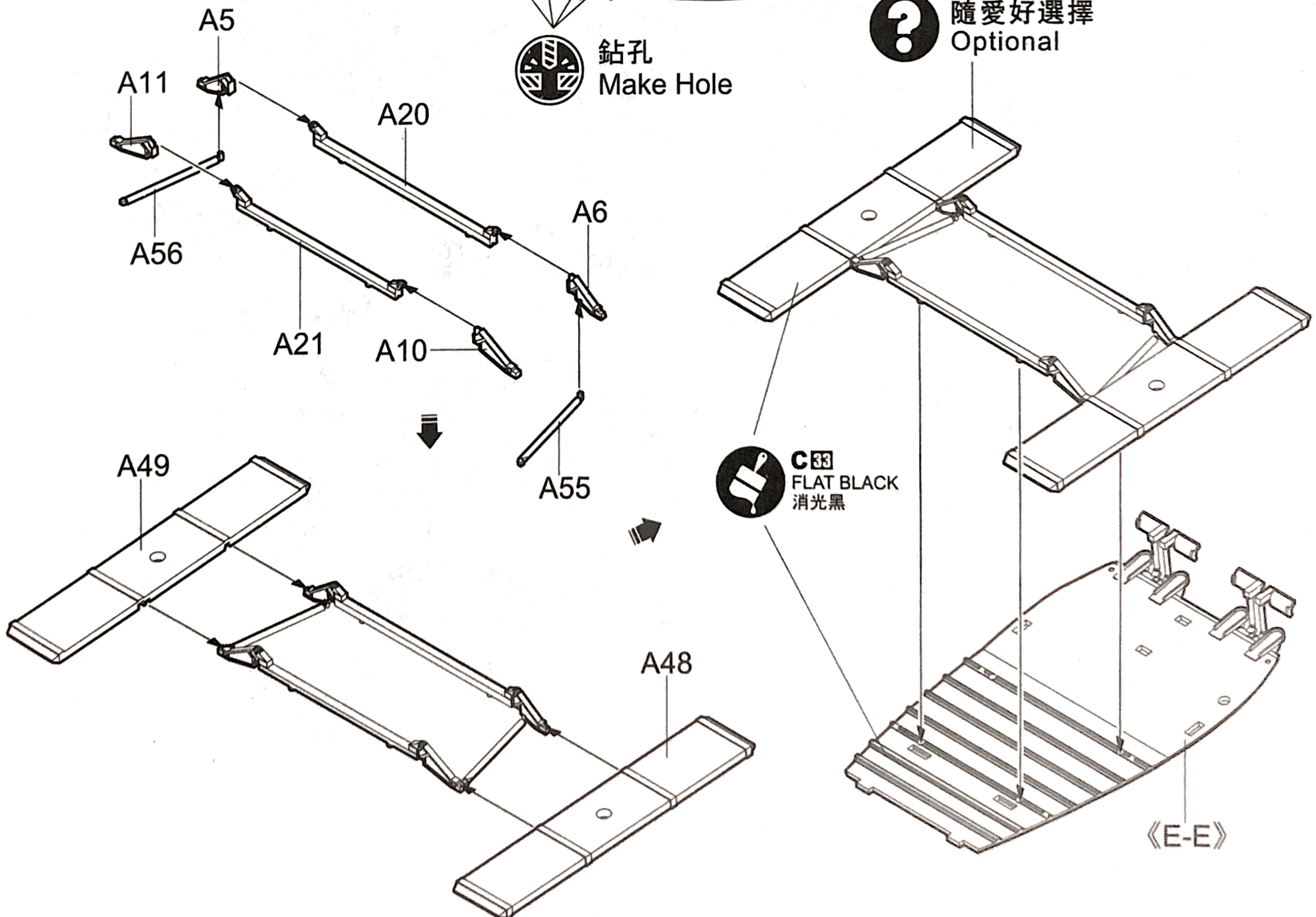


7 MH-6J

? 隨愛好選擇
Optional

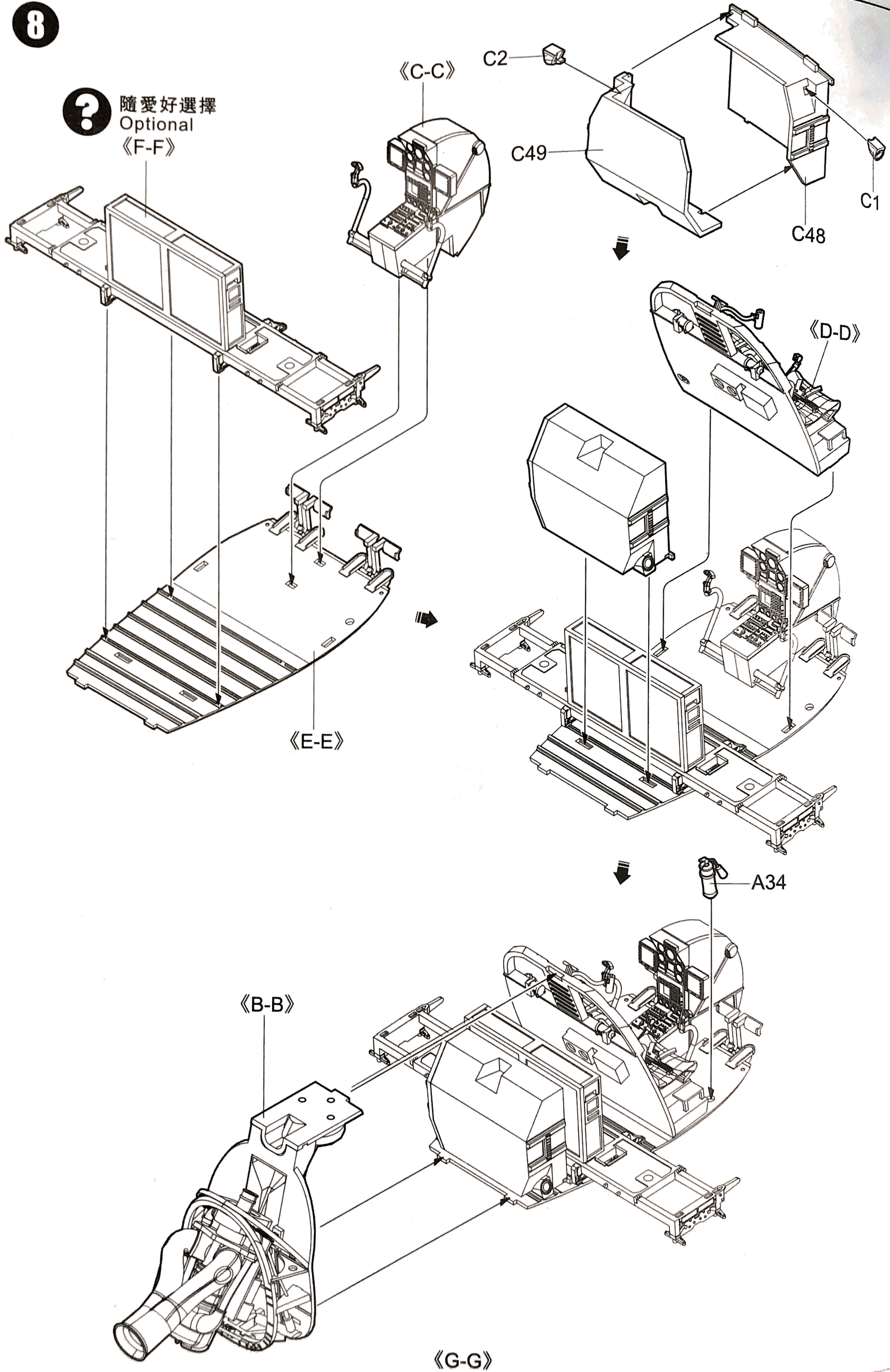


? 隨愛好選擇
Optional



8

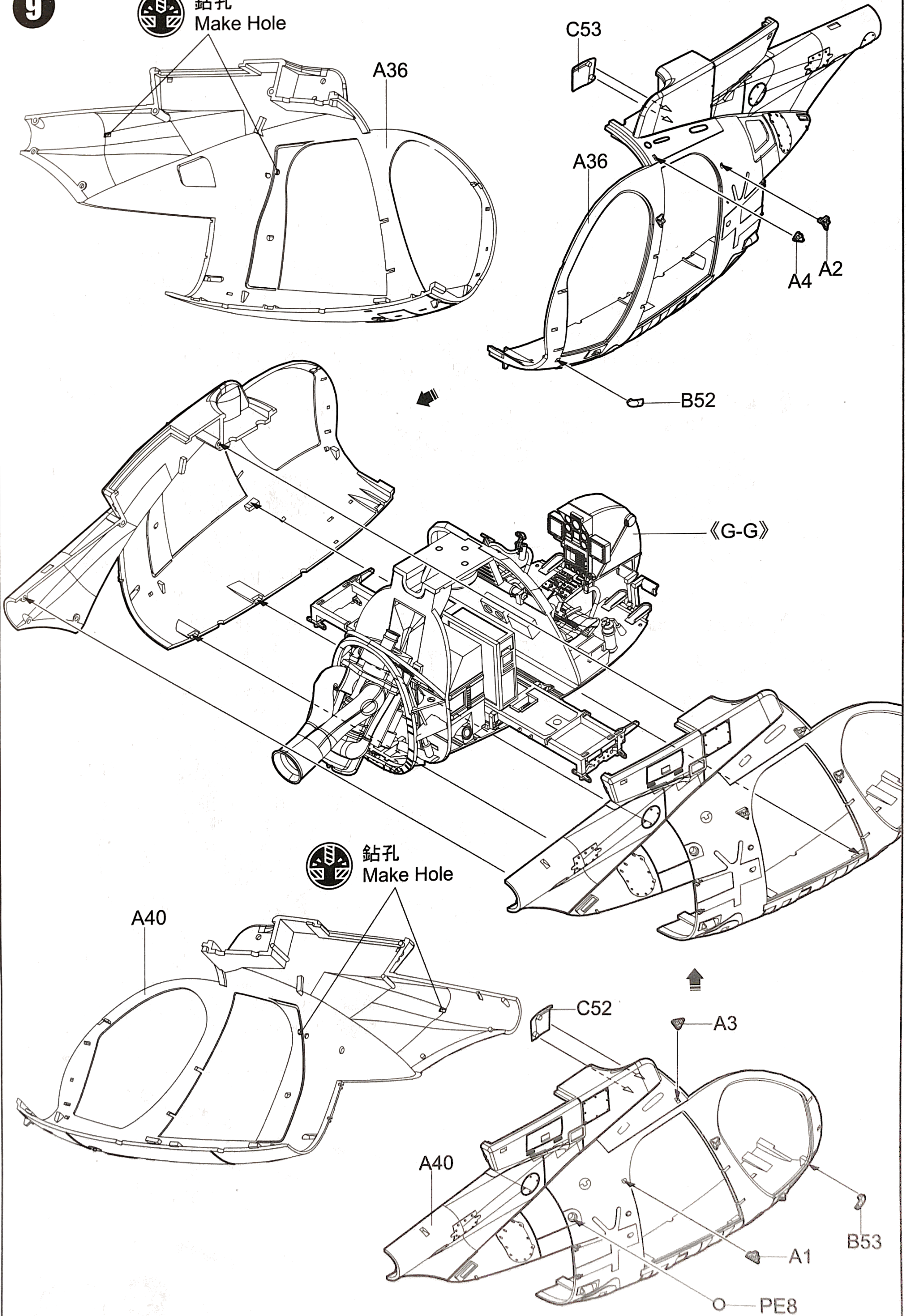
隨愛好選擇
Optional
《F-F》



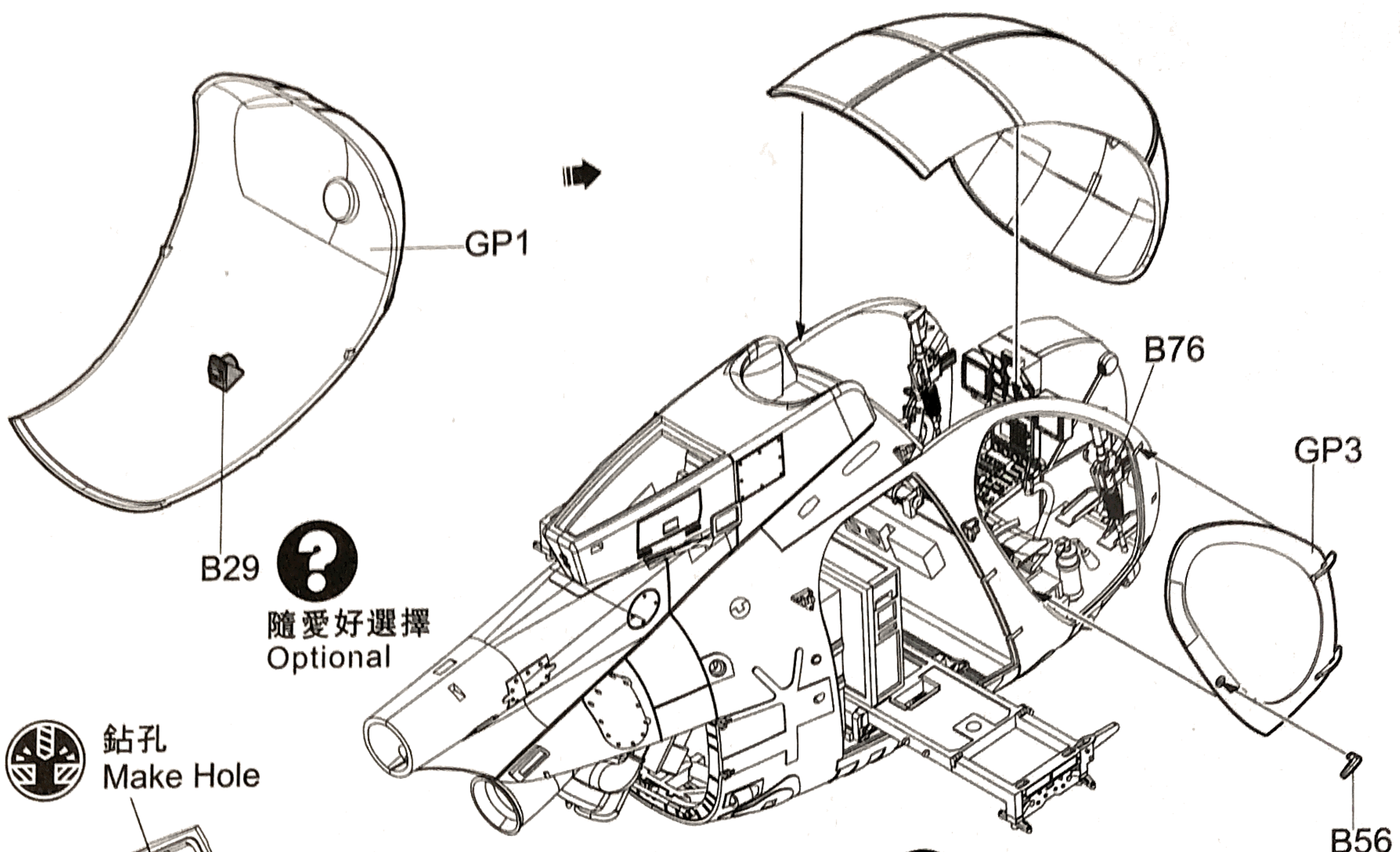
9



鈎孔
Make Hole

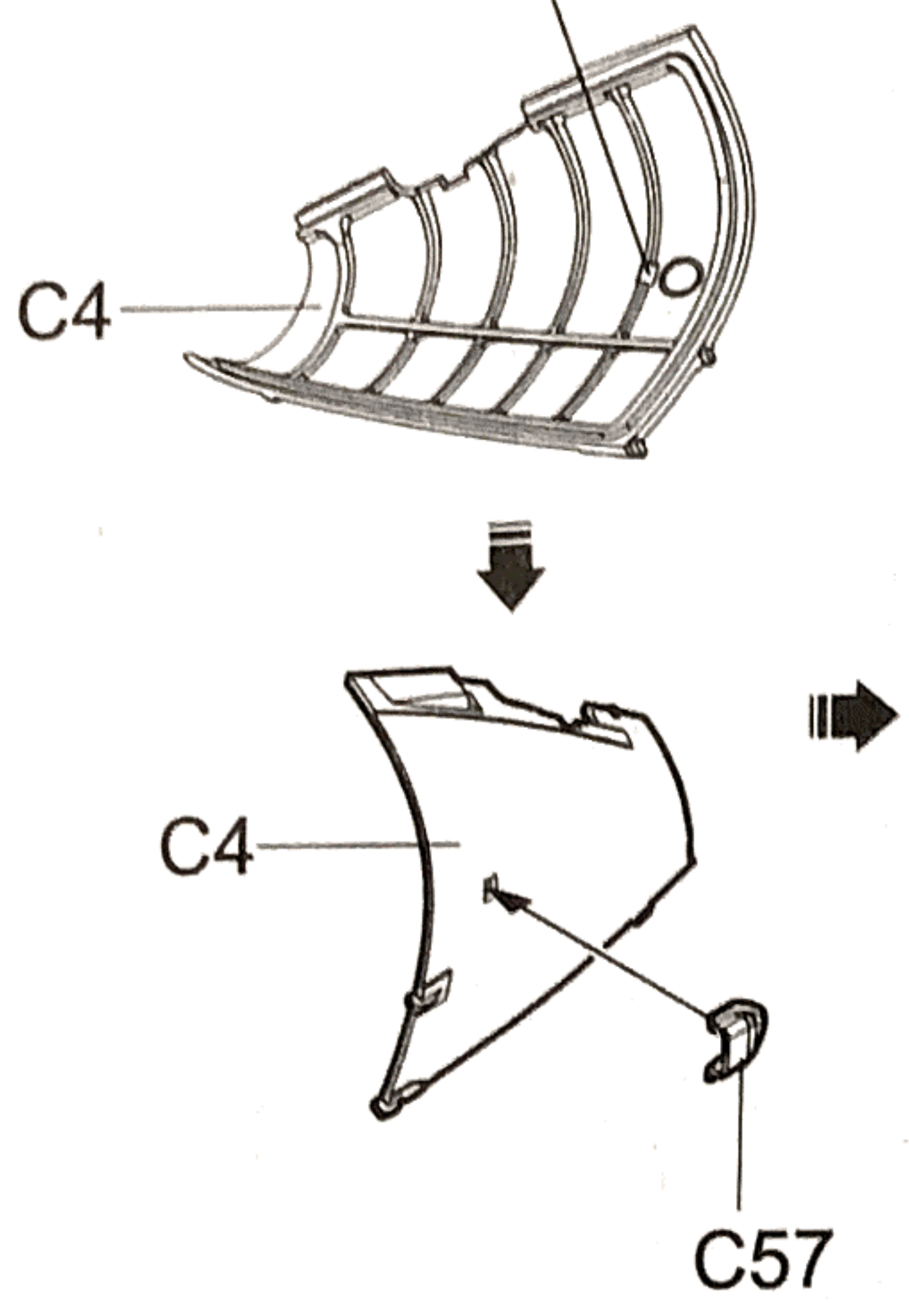


10

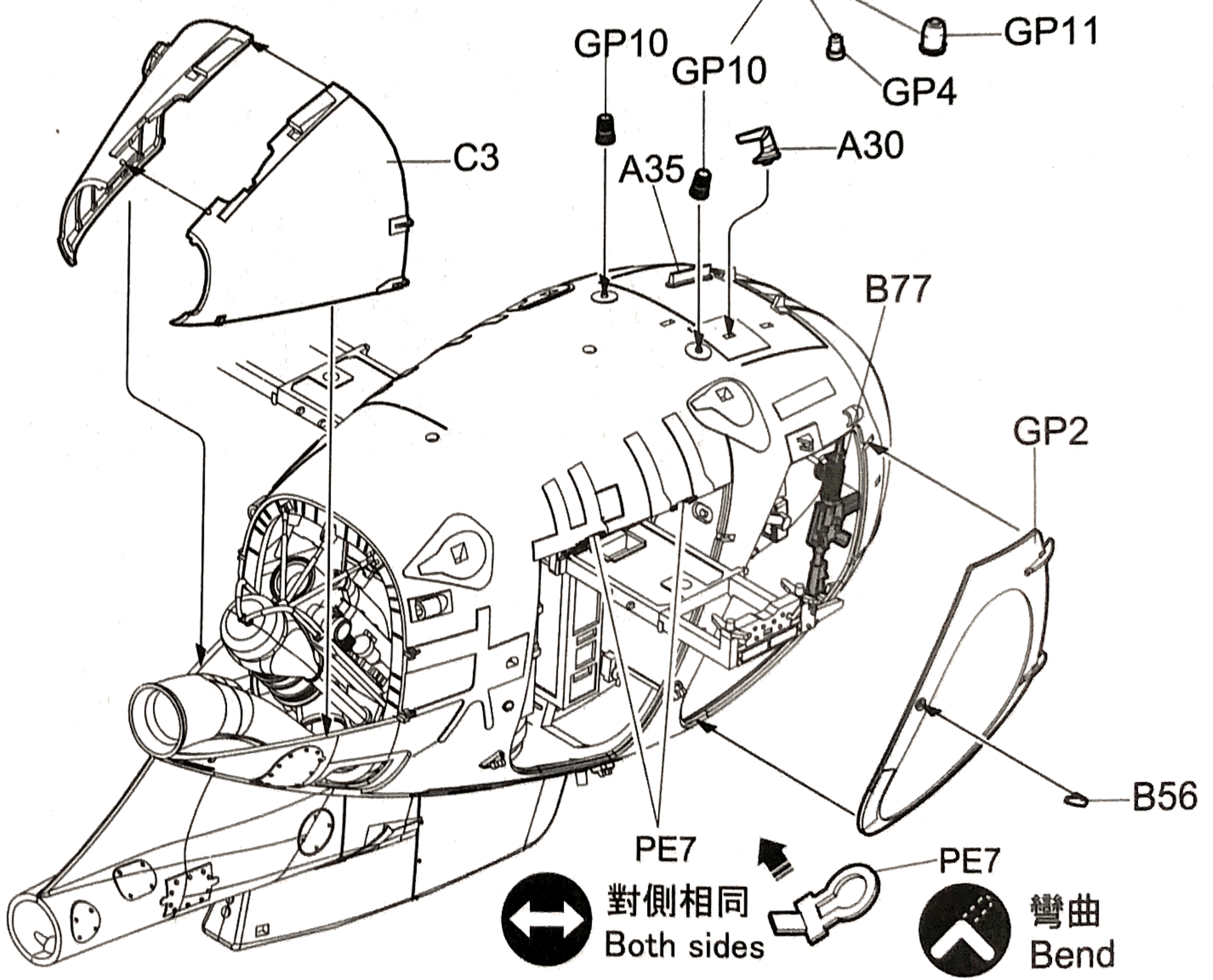


? 隨愛好選擇
Optional

鉗孔
Make Hole



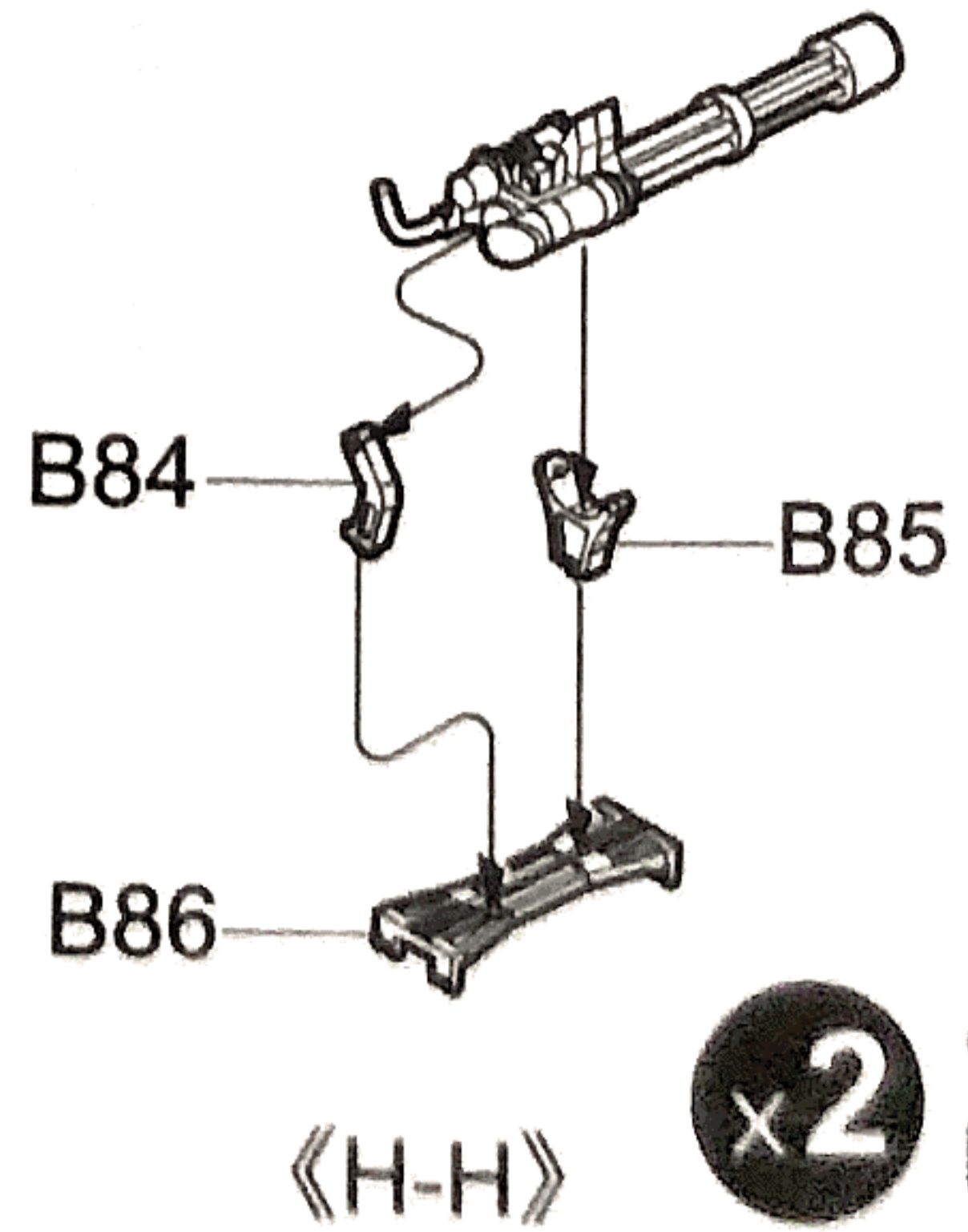
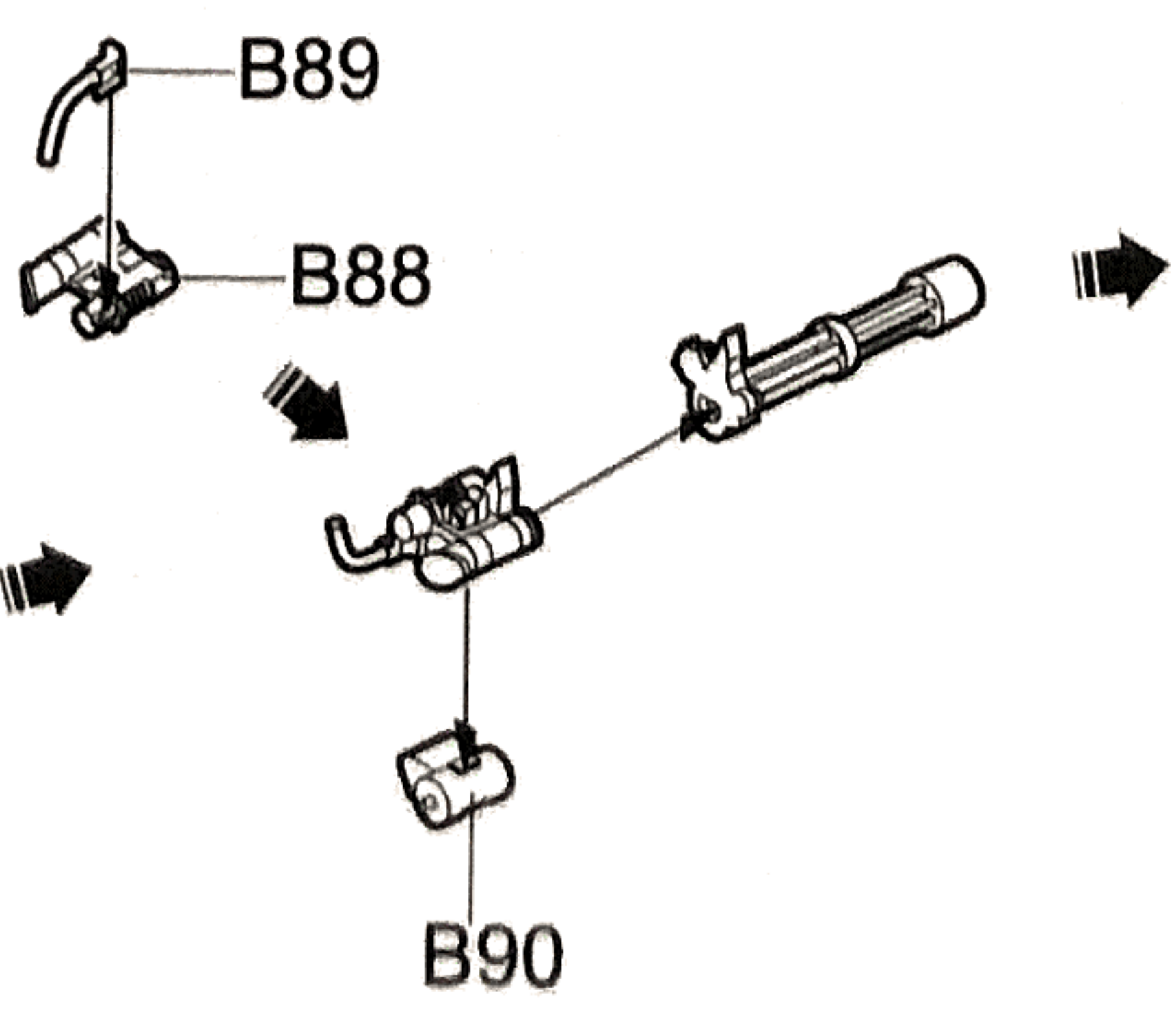
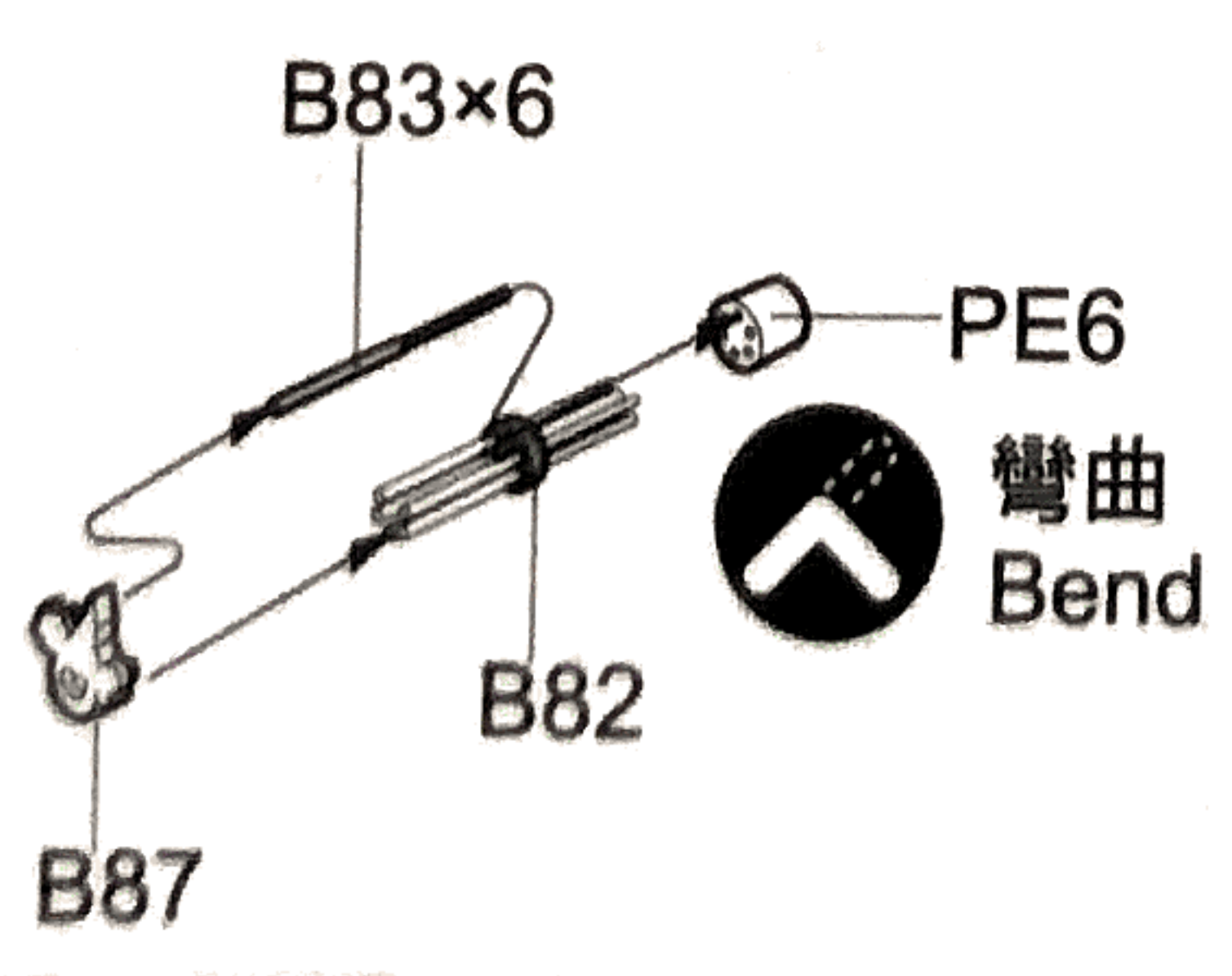
? 隨愛好選擇
Optional



對側相同
Both sides

彎曲
Bend

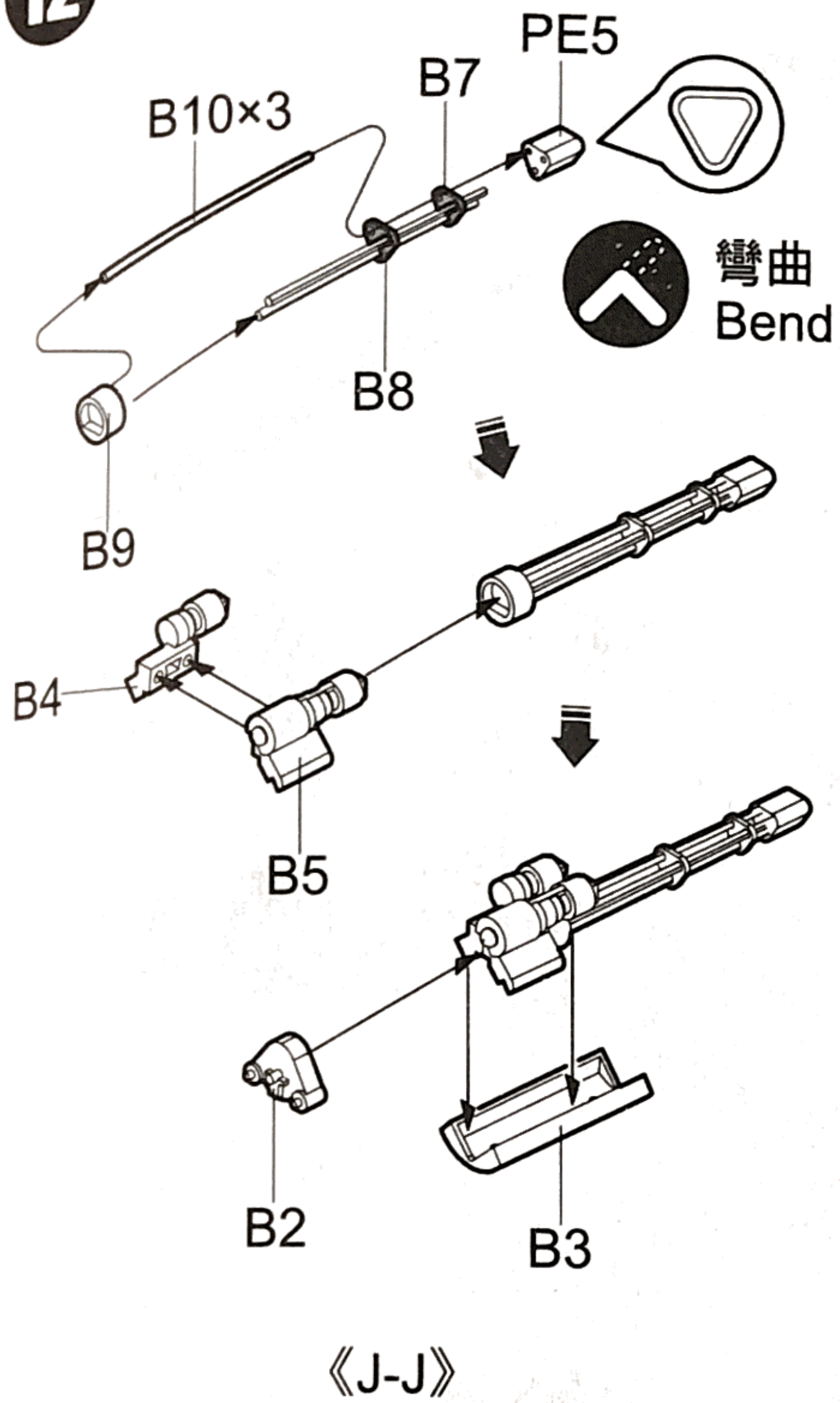
11 7.62 MG-134



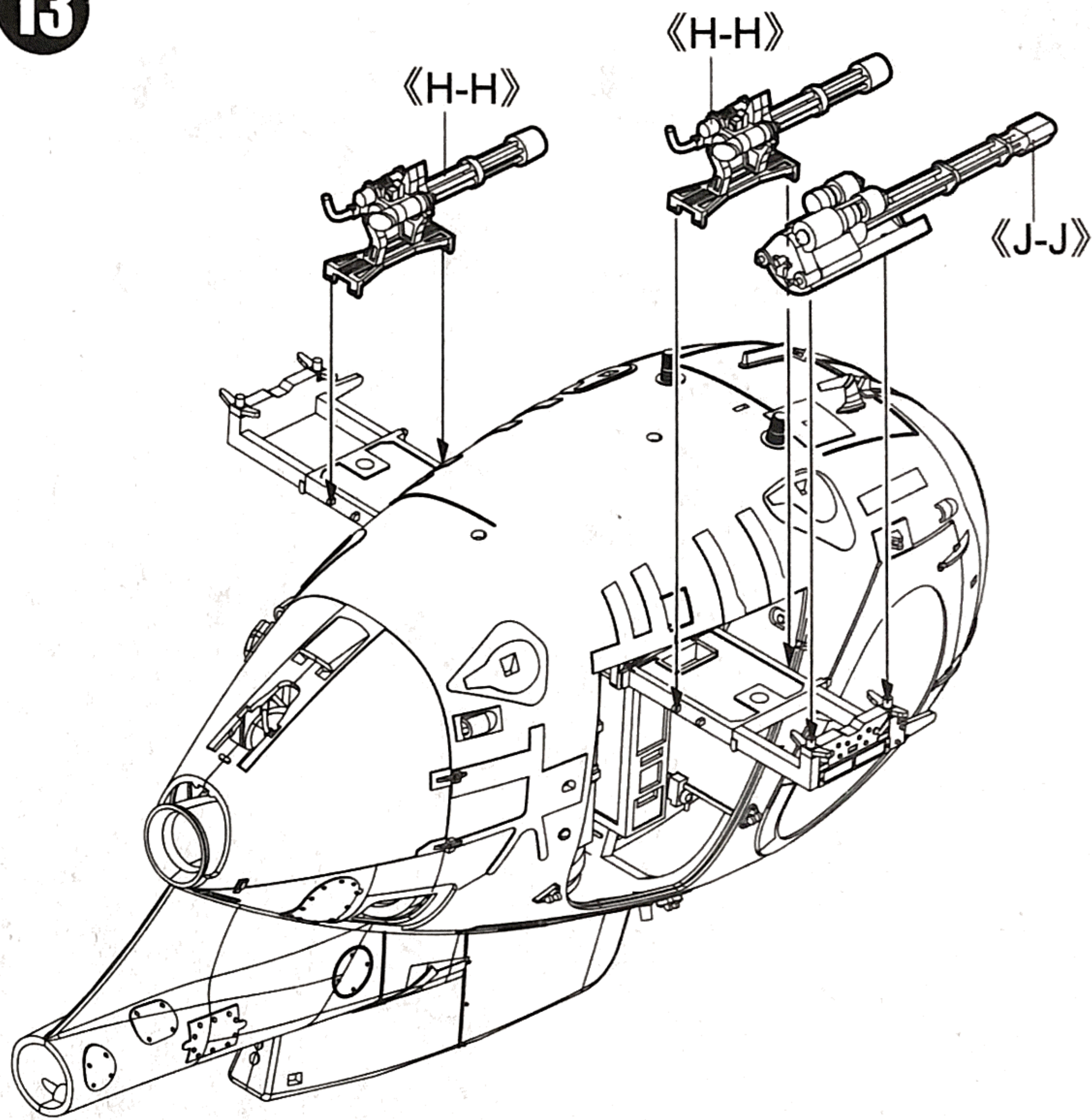
2 制作兩組
Make Two

《H-H》

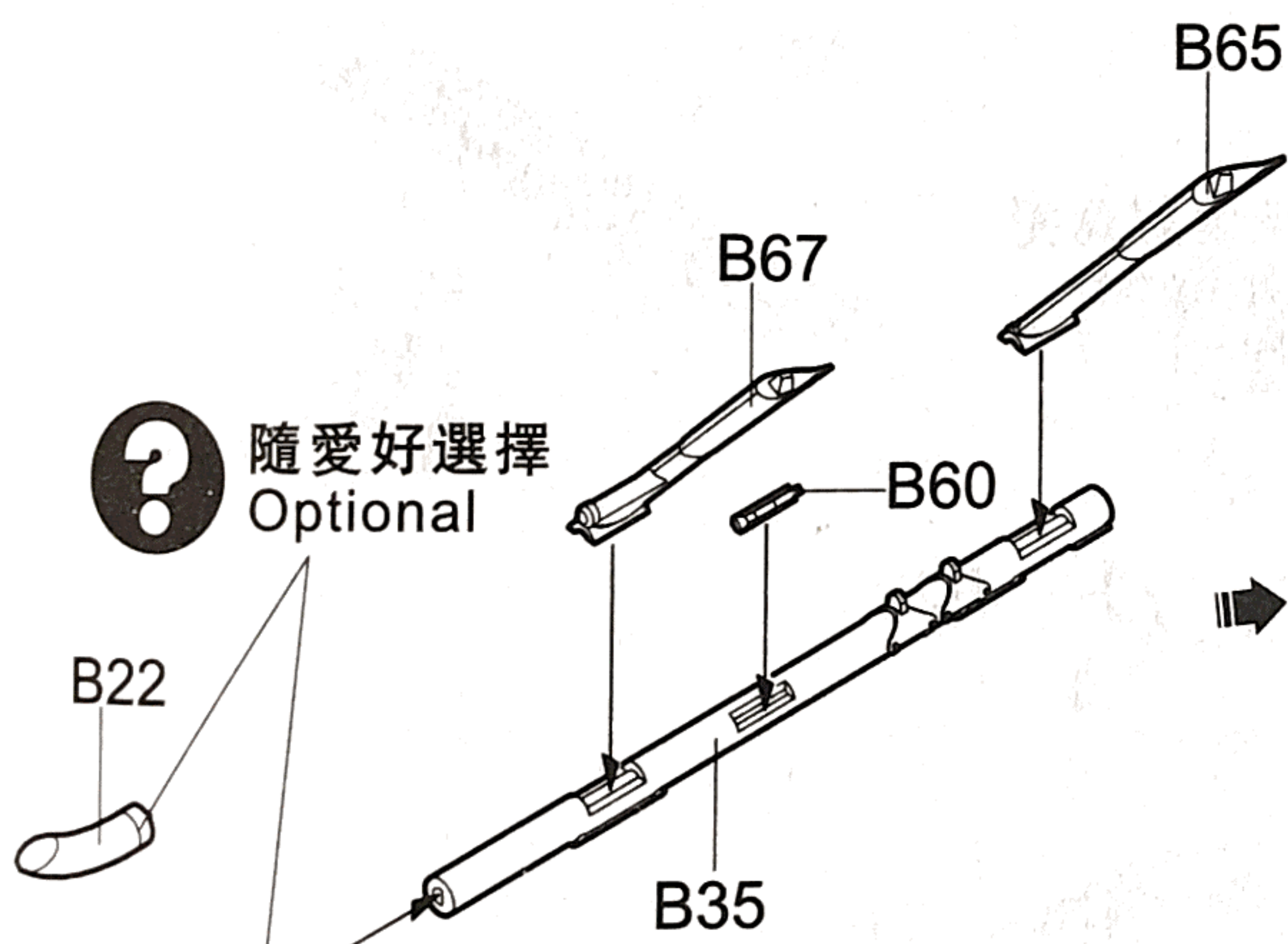
12 .50BMG GAU-19



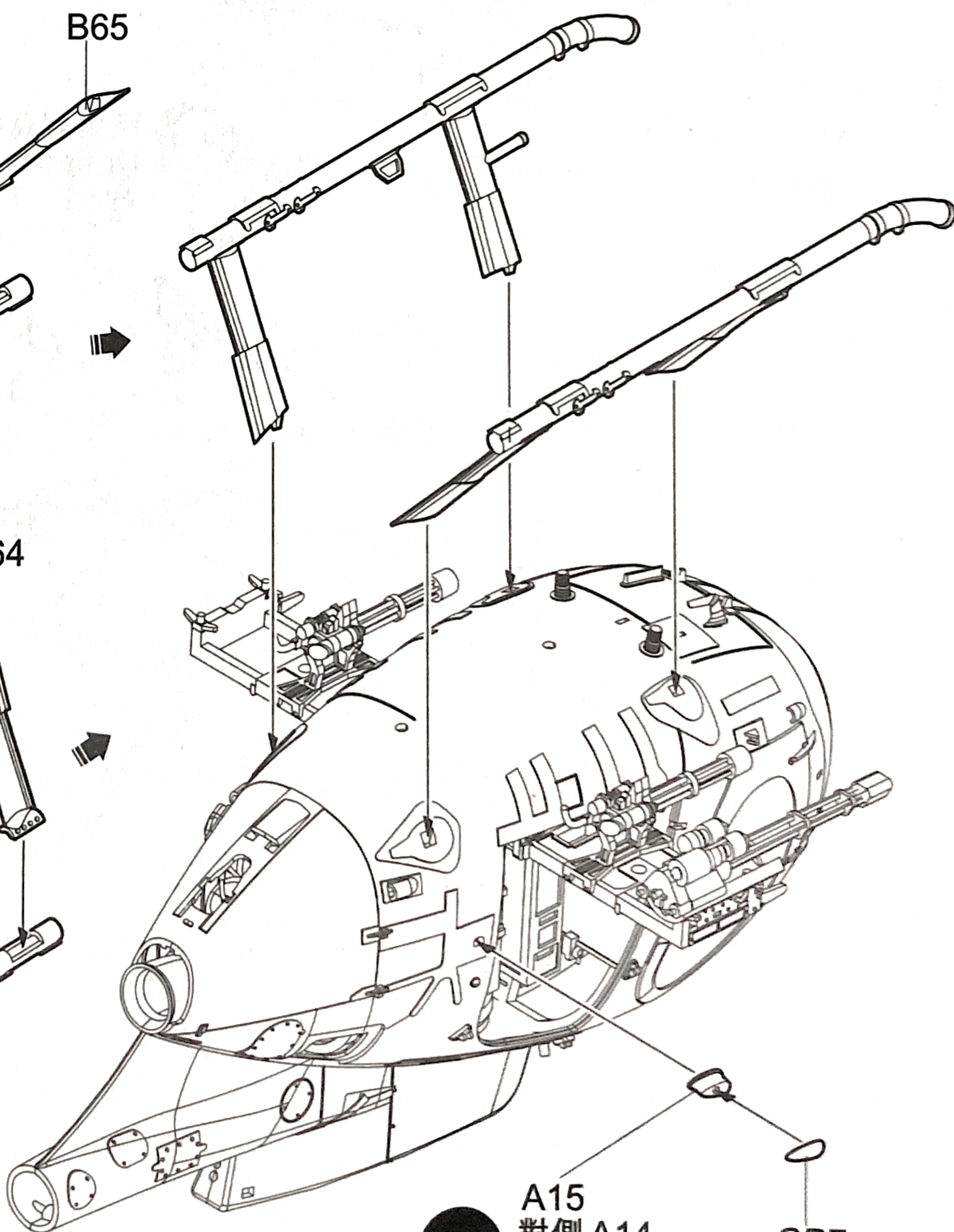
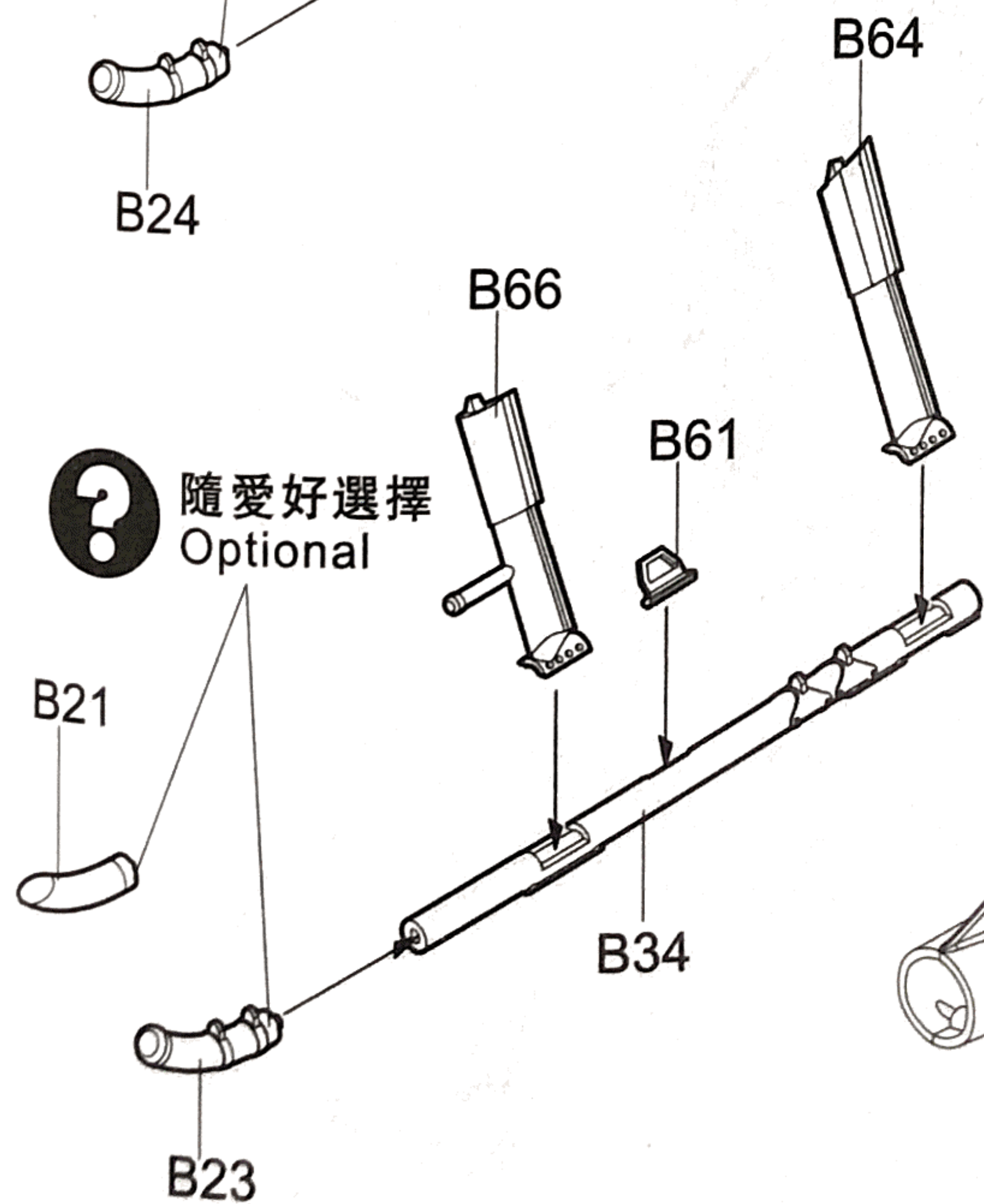
13



? 隨愛好選擇
Optional

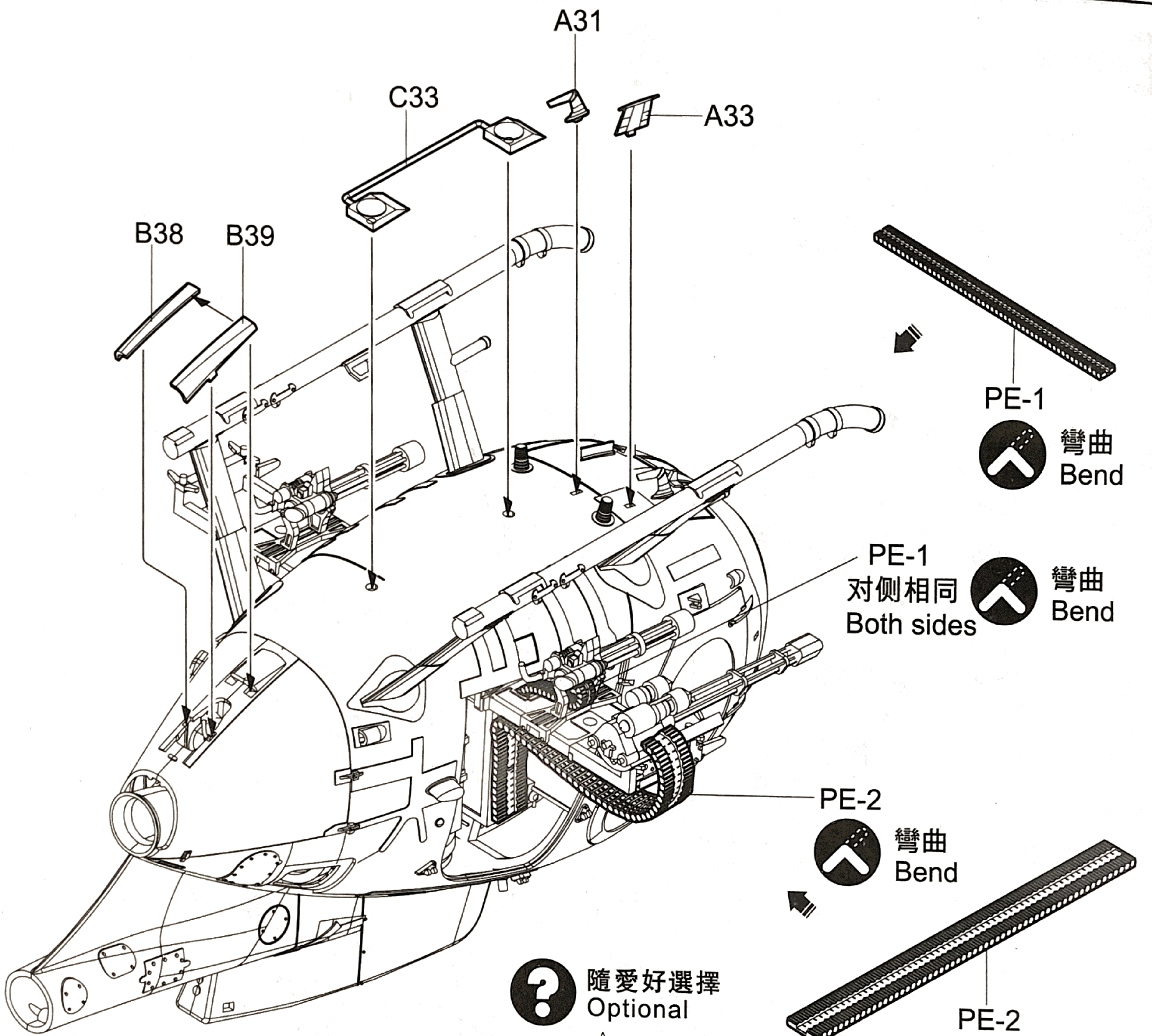


? 隨愛好選擇
Optional

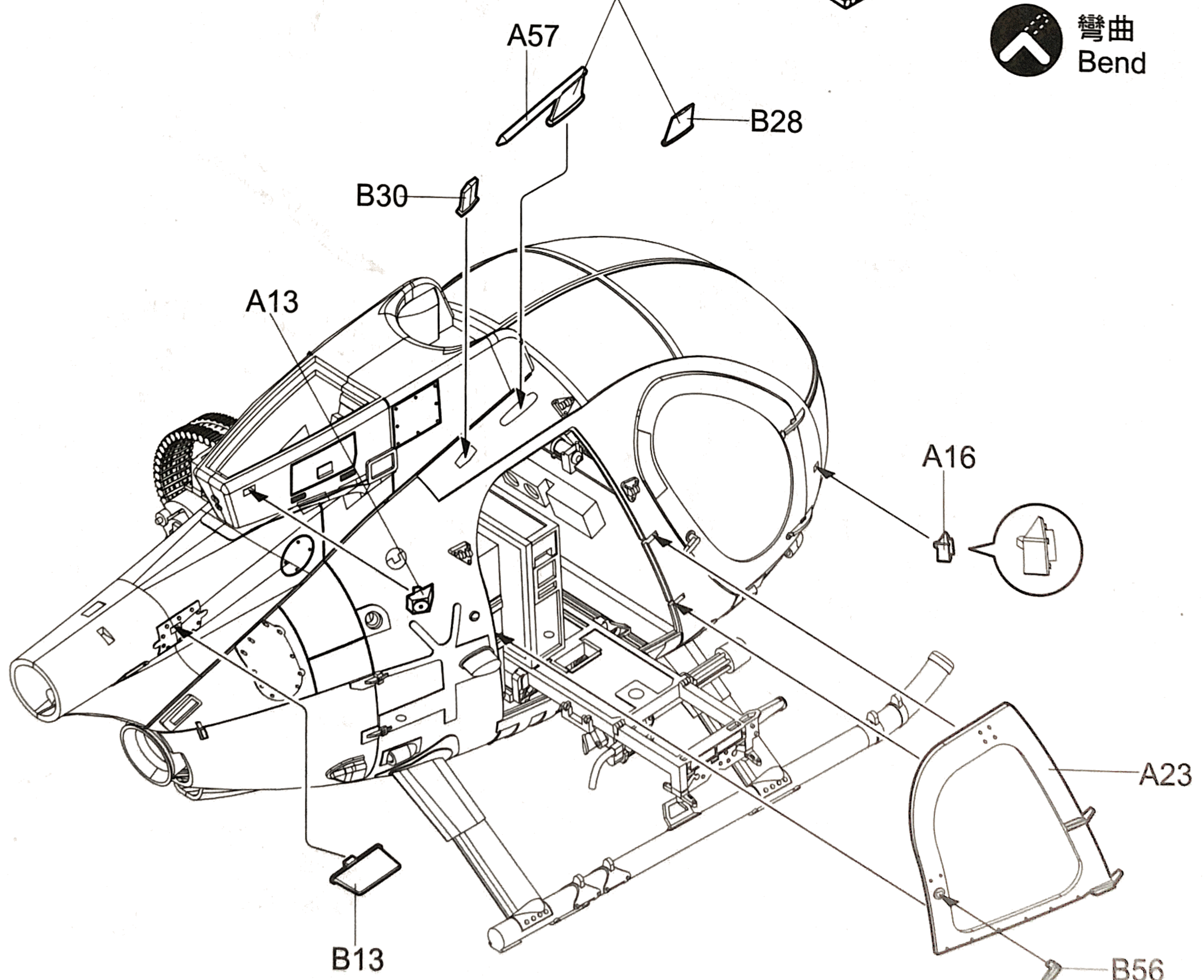


A15
對側 A14
Opposite

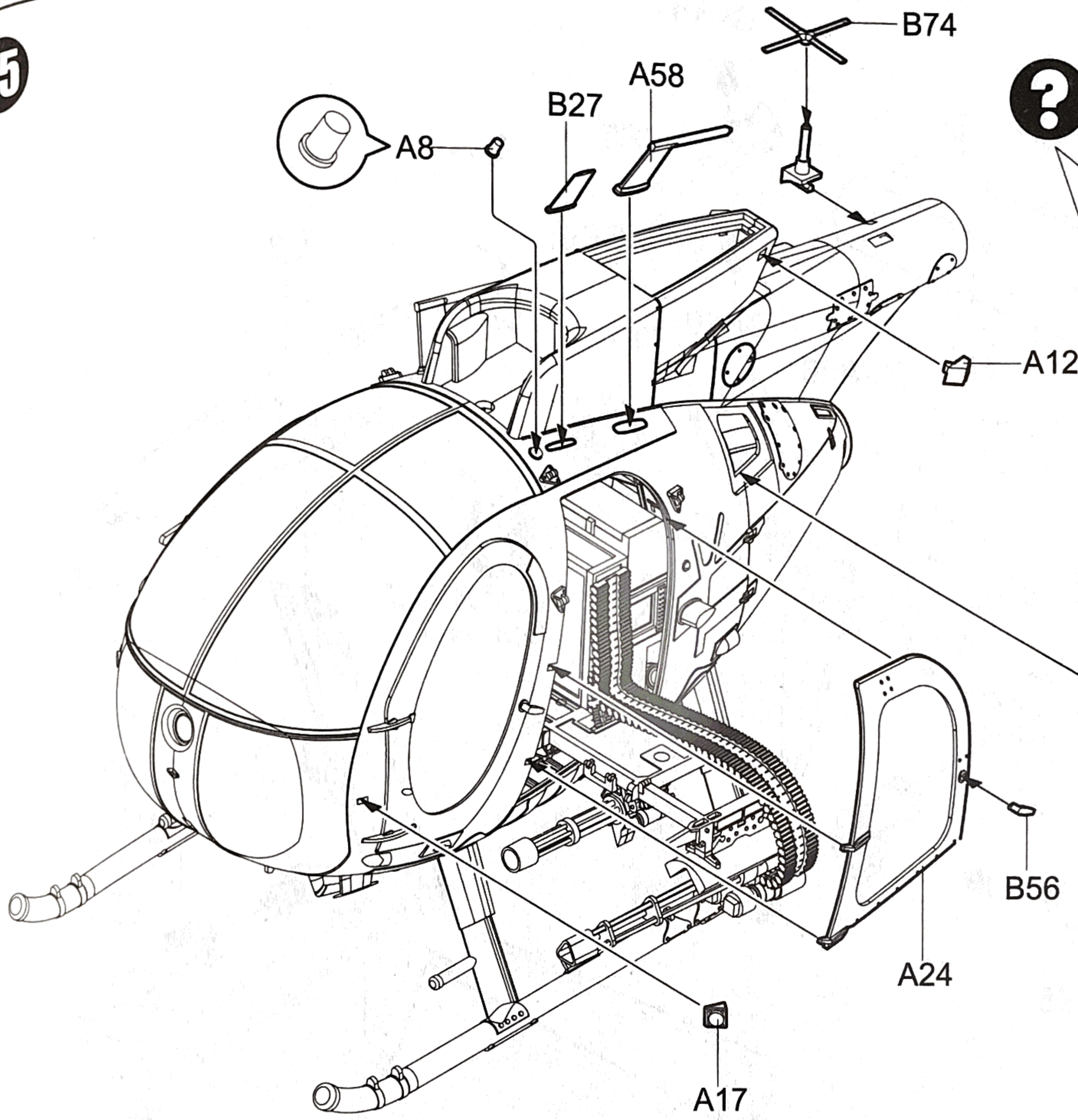
GP7
對側 GP8
Opposite



? 隨愛好選擇 Optional

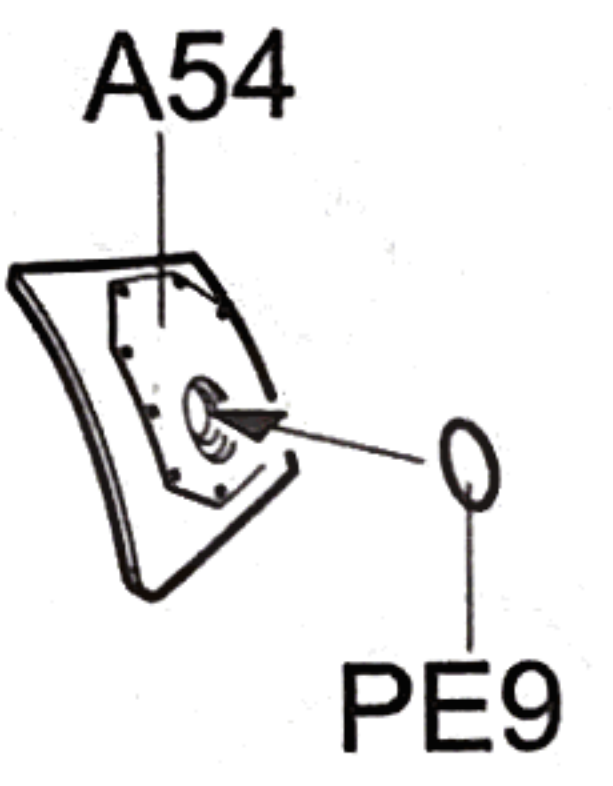


15

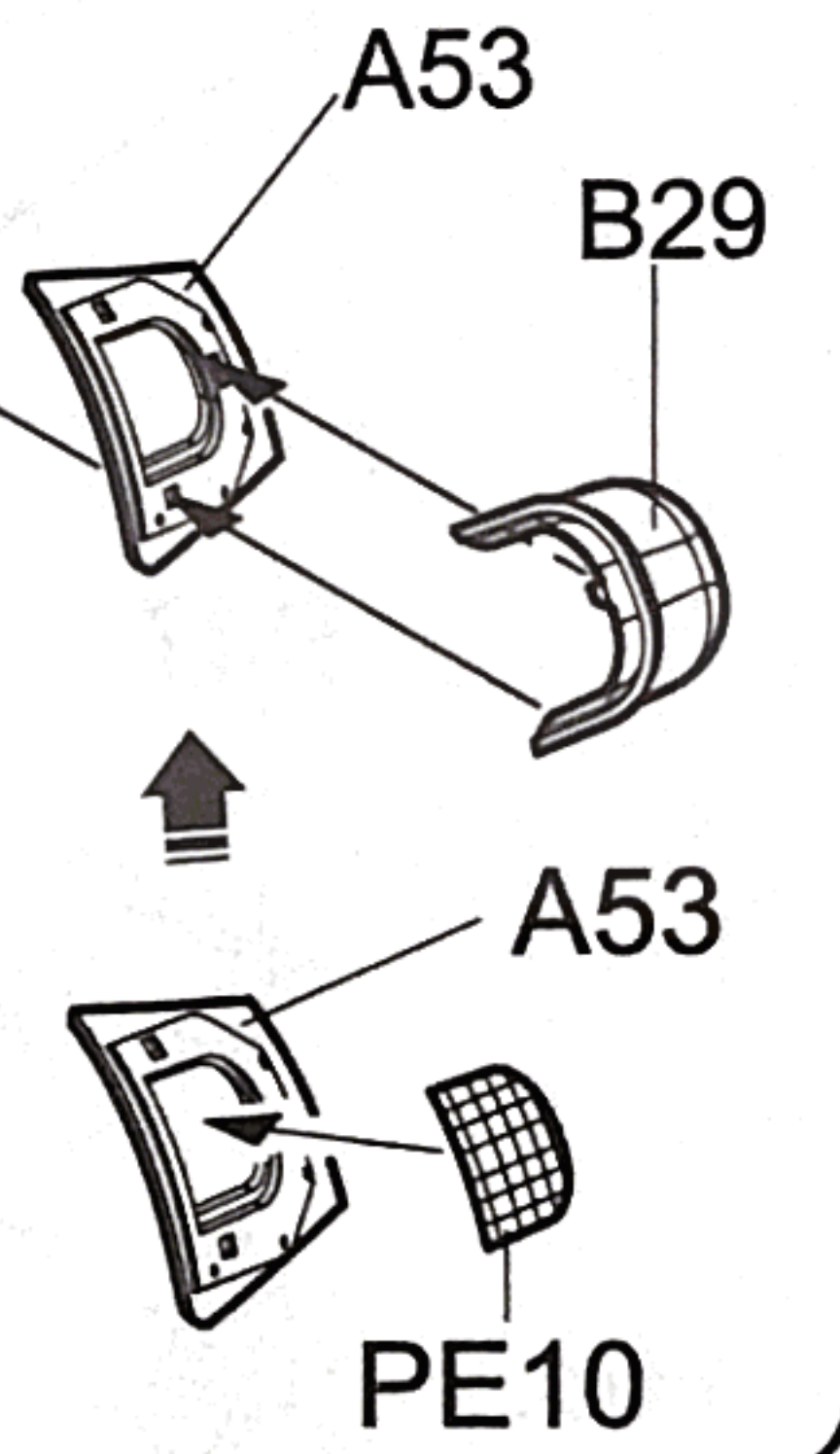


隨愛好選擇
Optional

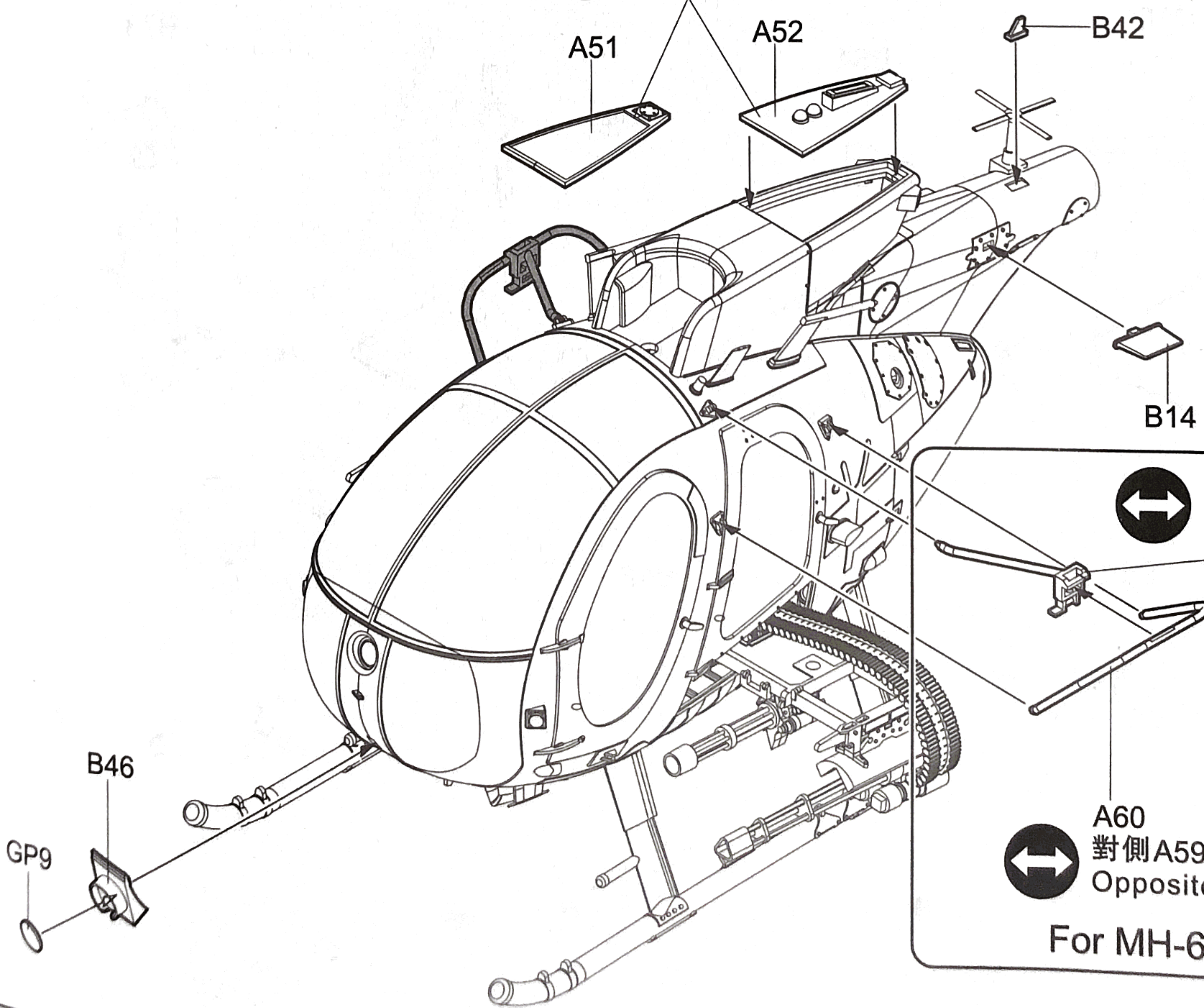
For MH-6J



For AH-6J



隨愛好選擇
Optional

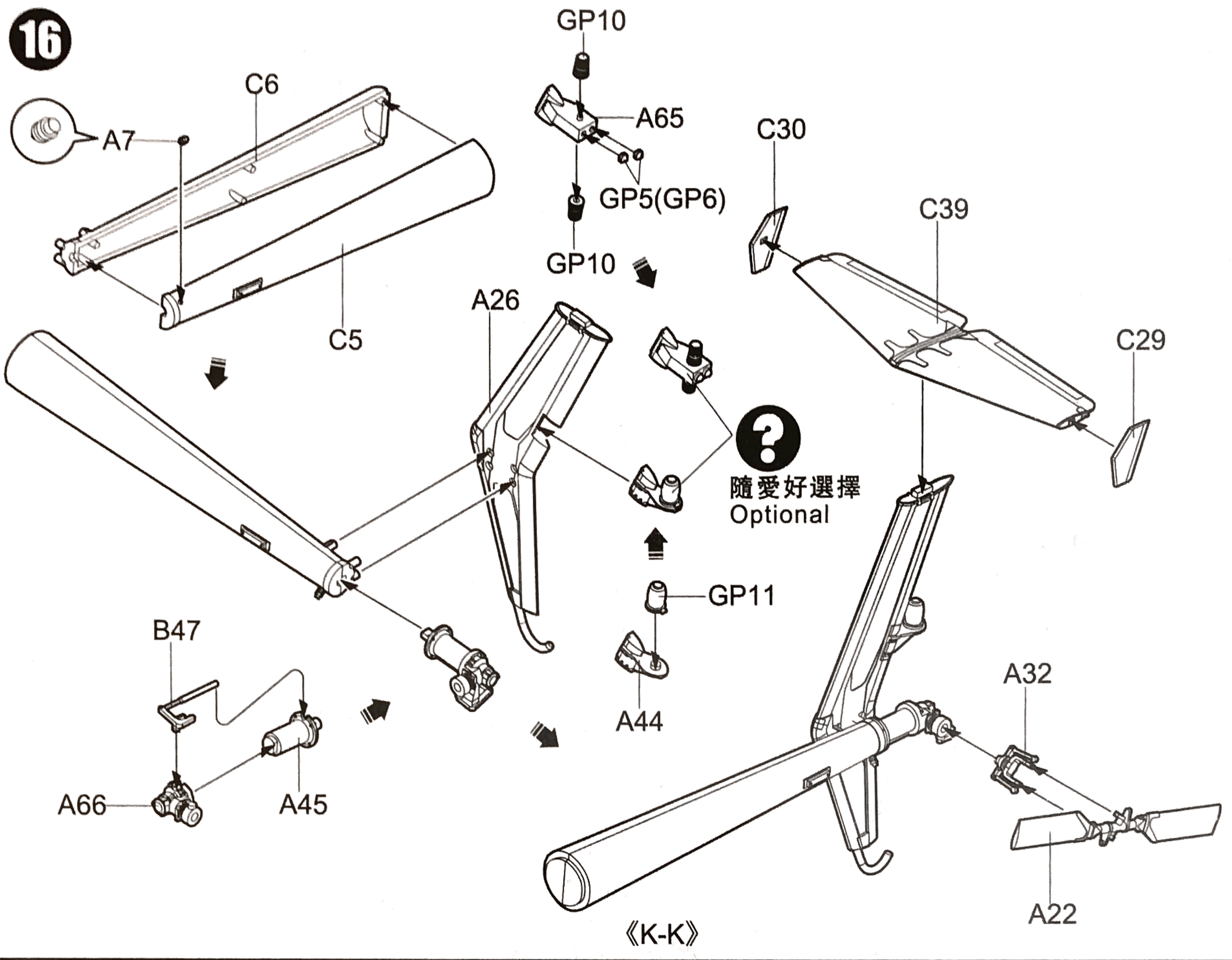


對側A61
Opposite
A62

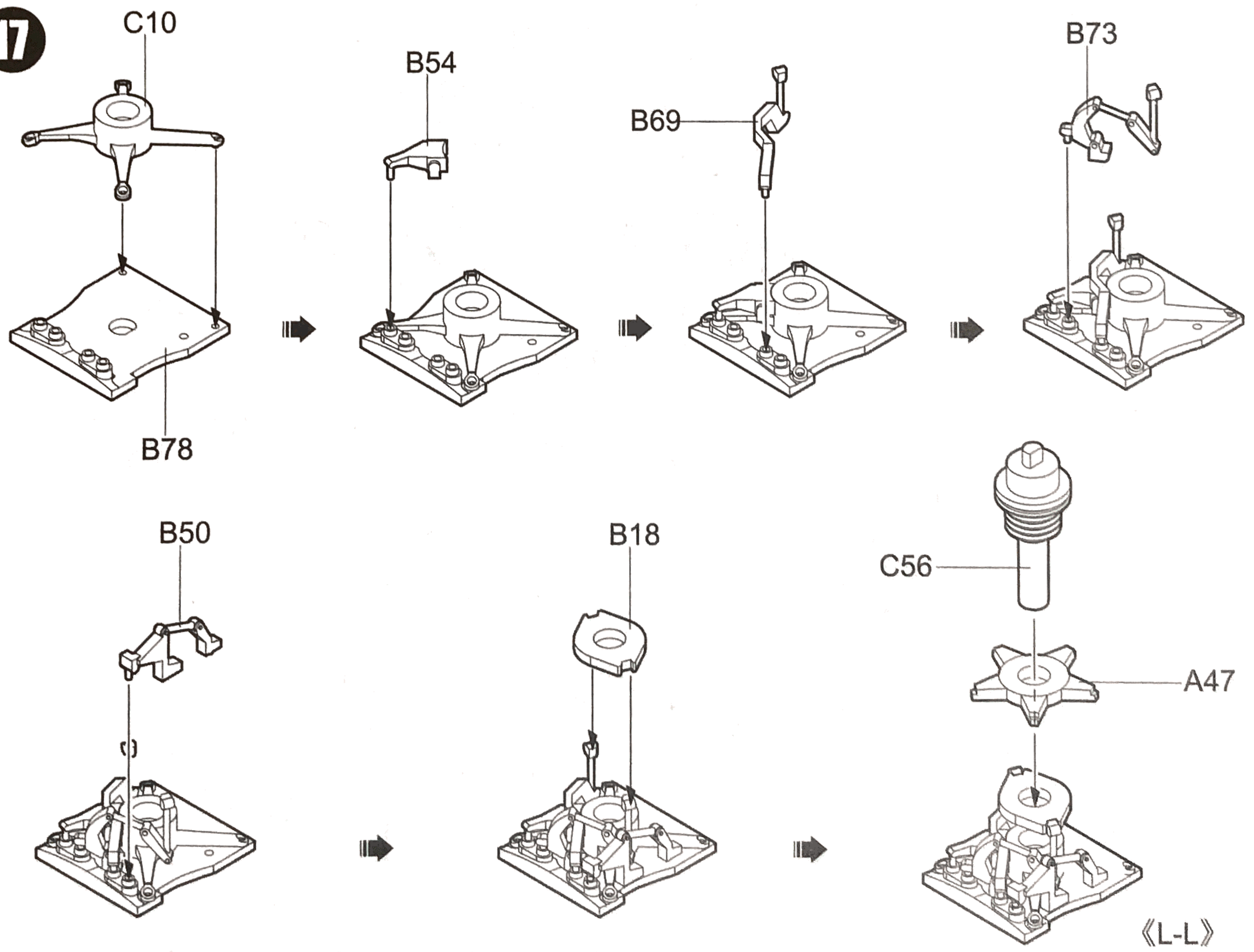
對側A59
Opposite

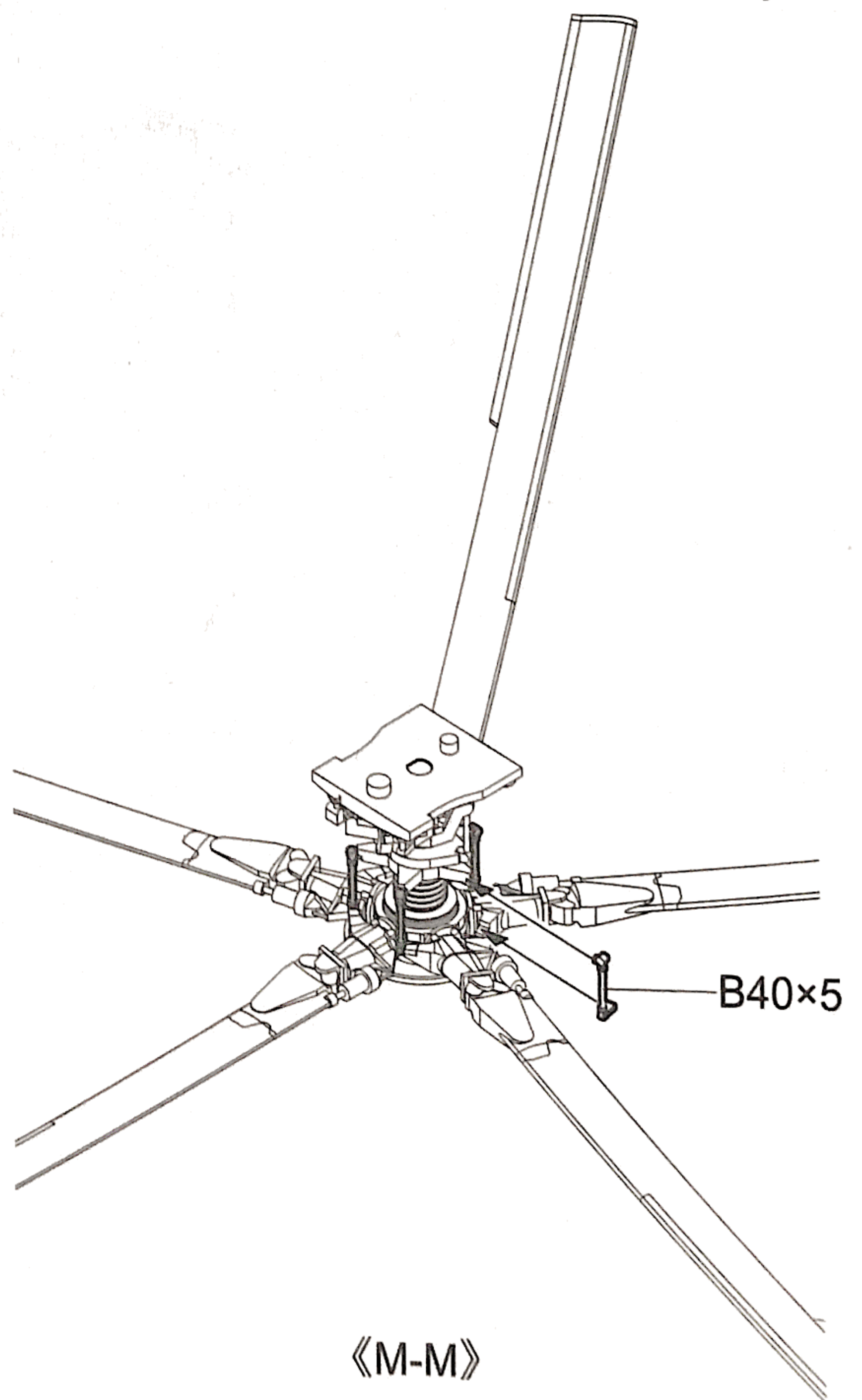
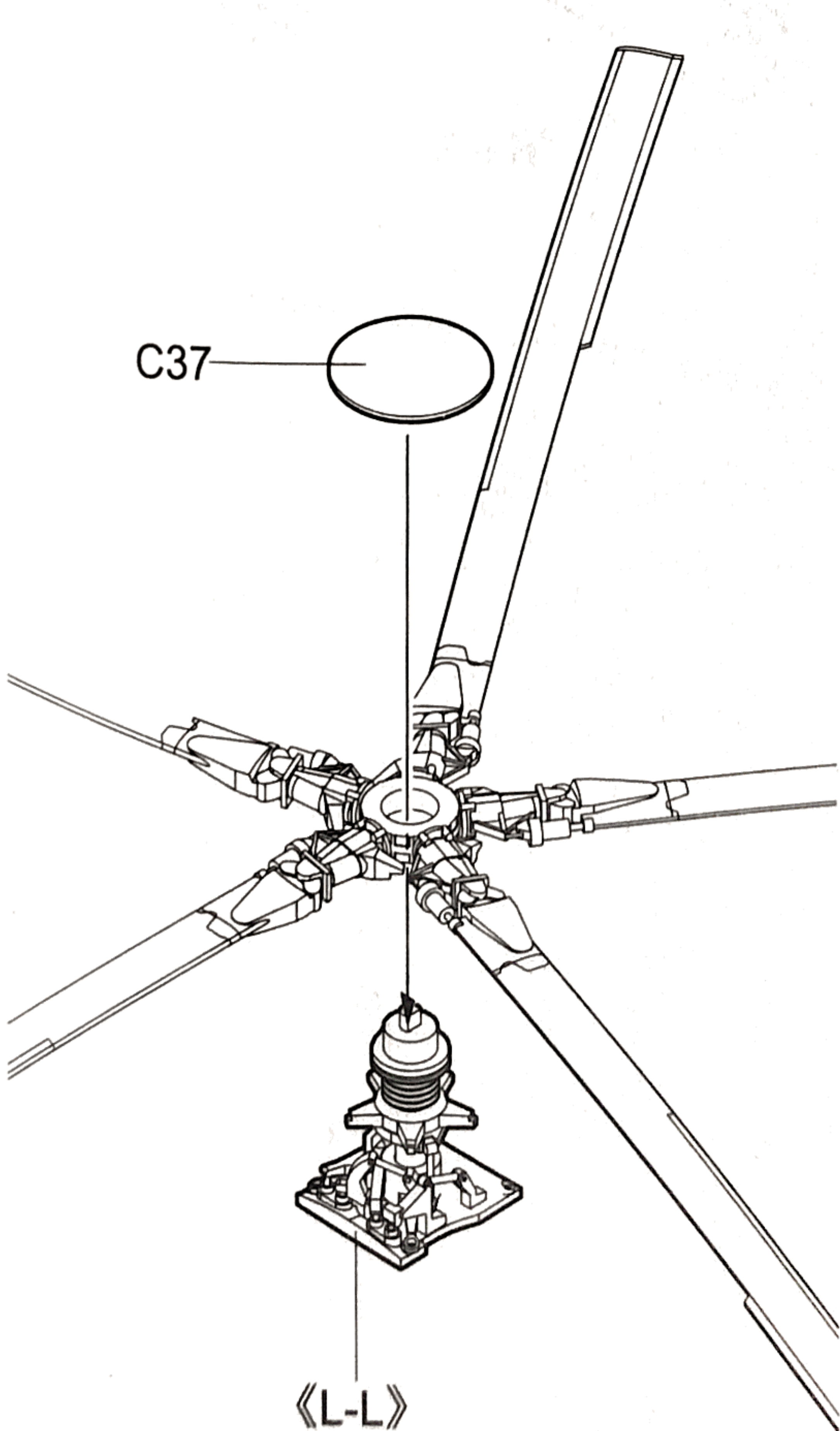
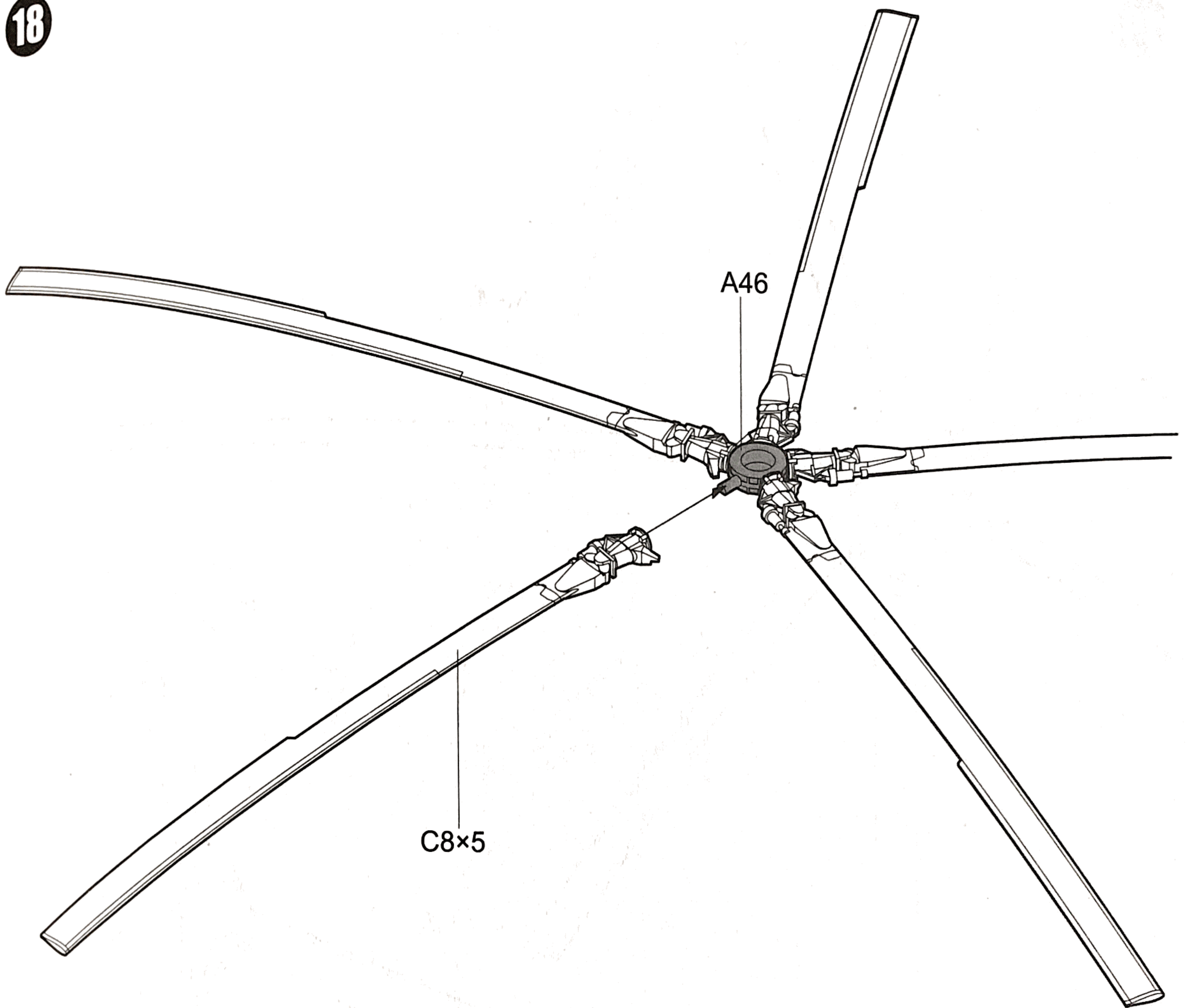
For MH-6J

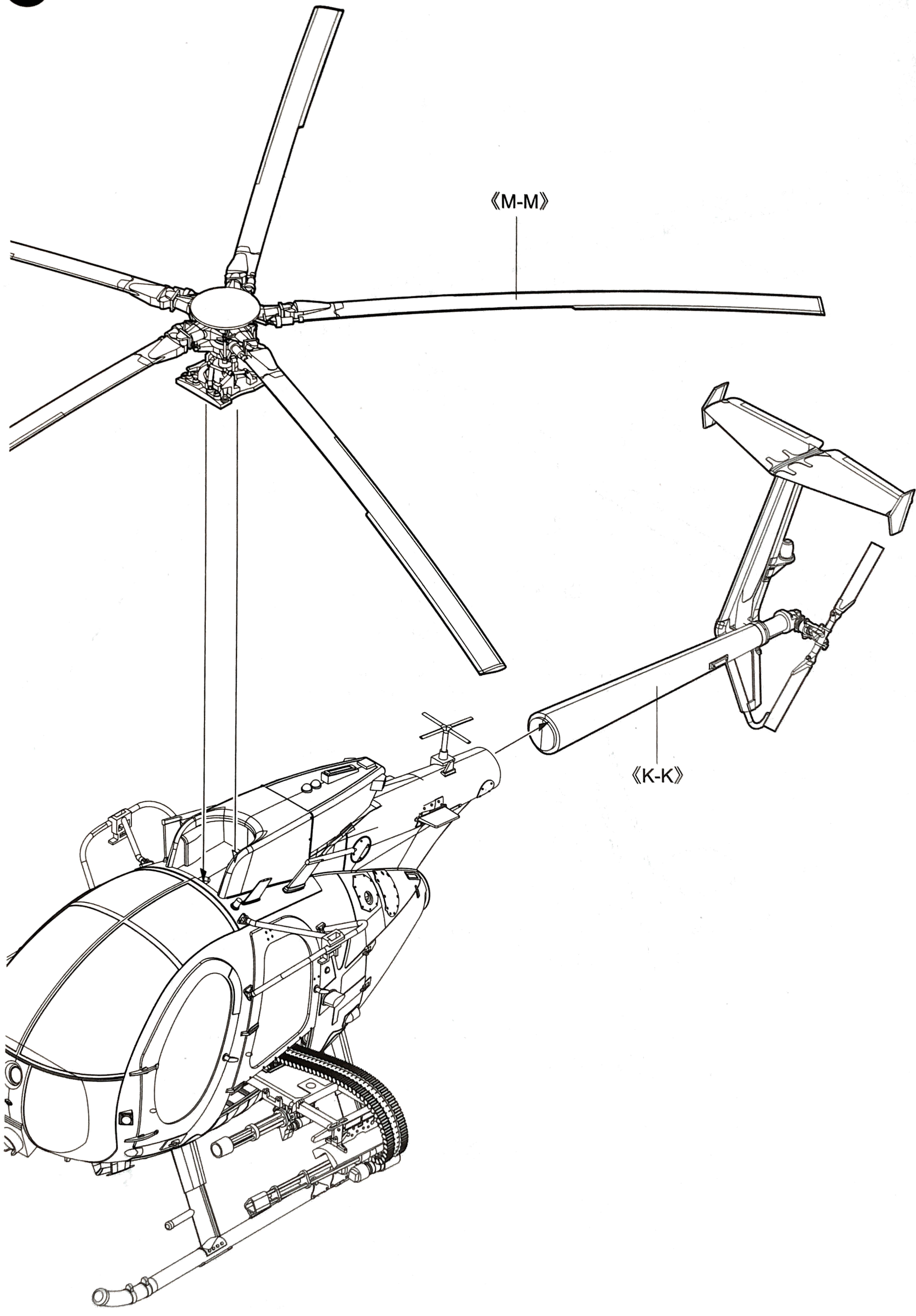
16



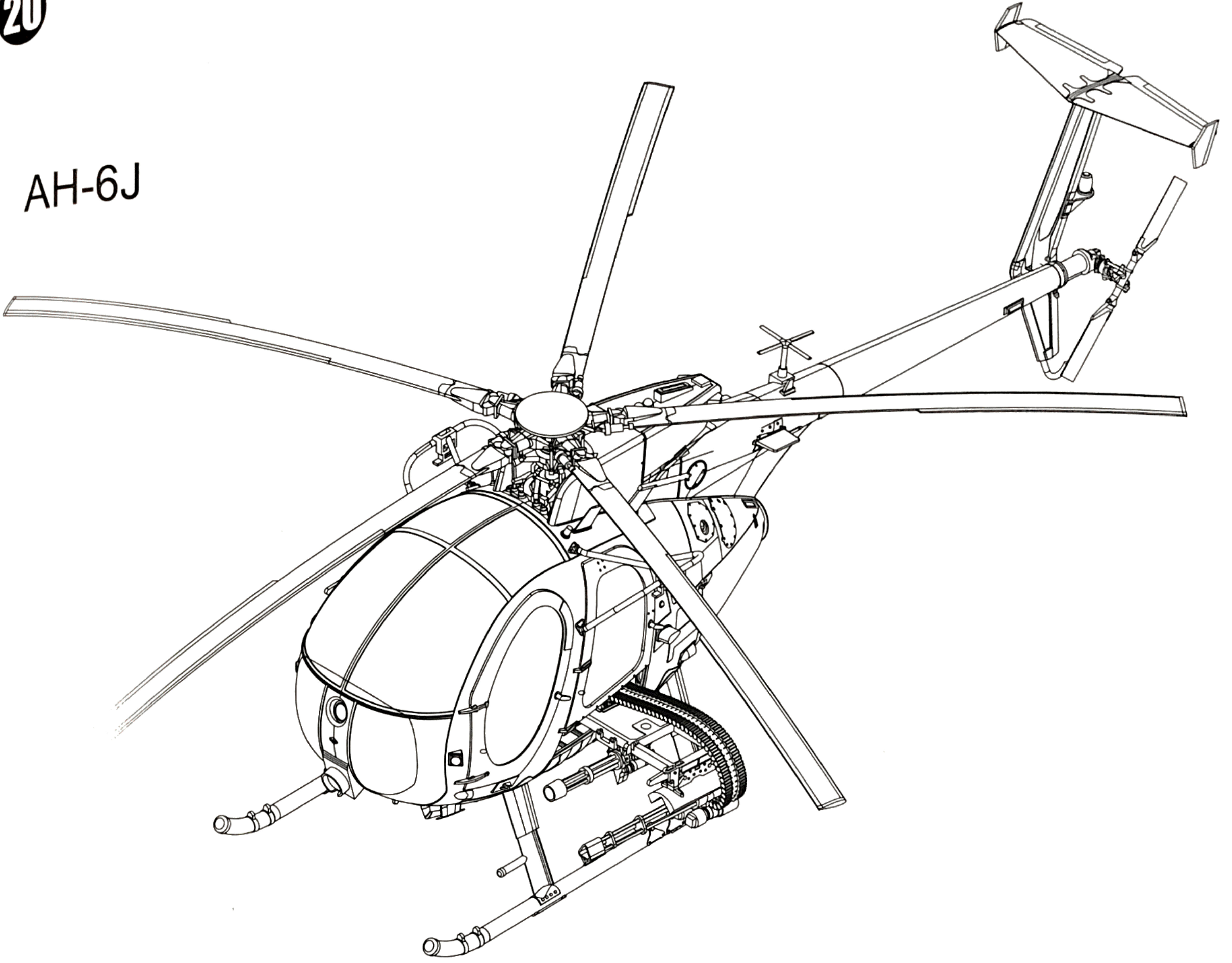
17







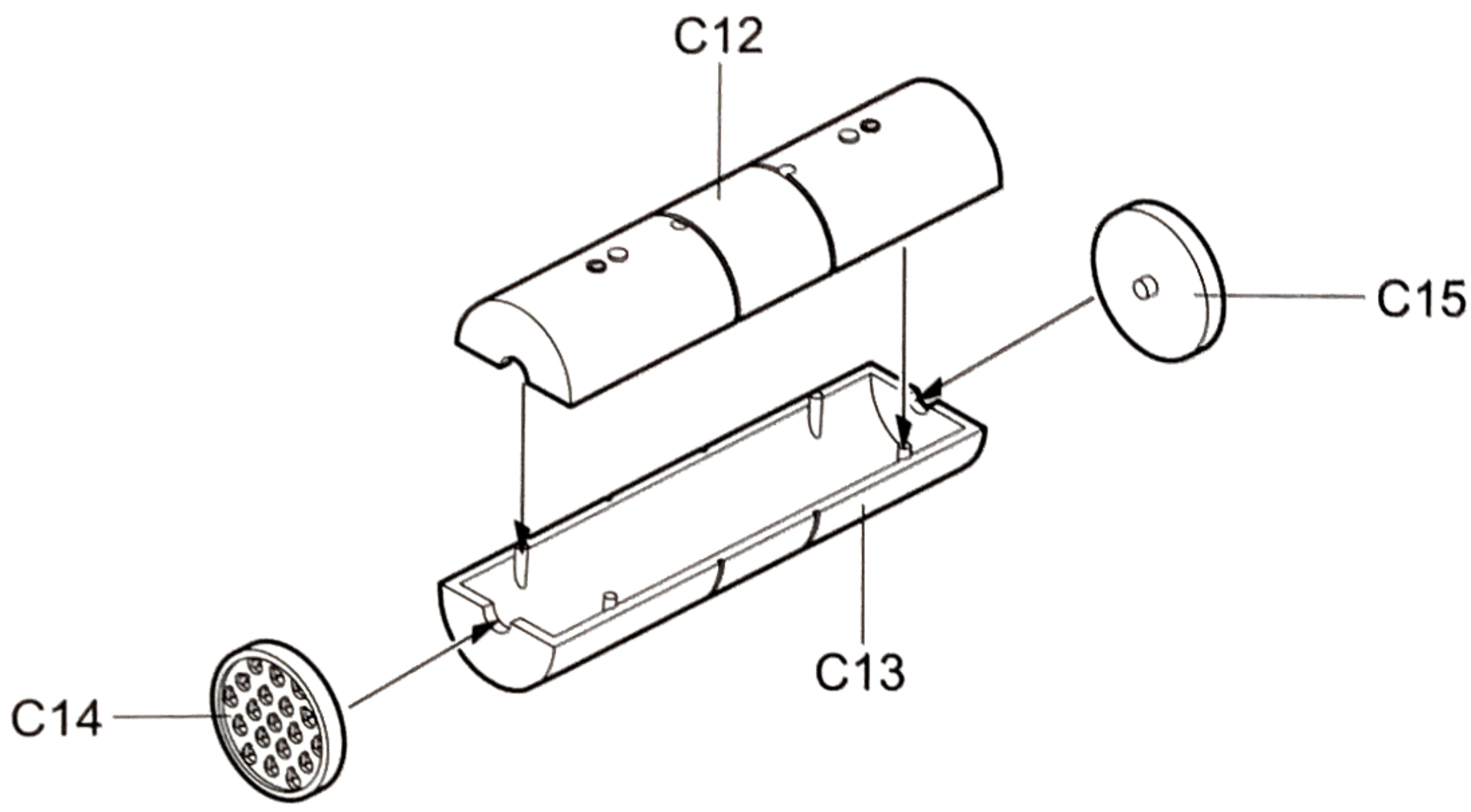
AH-6J



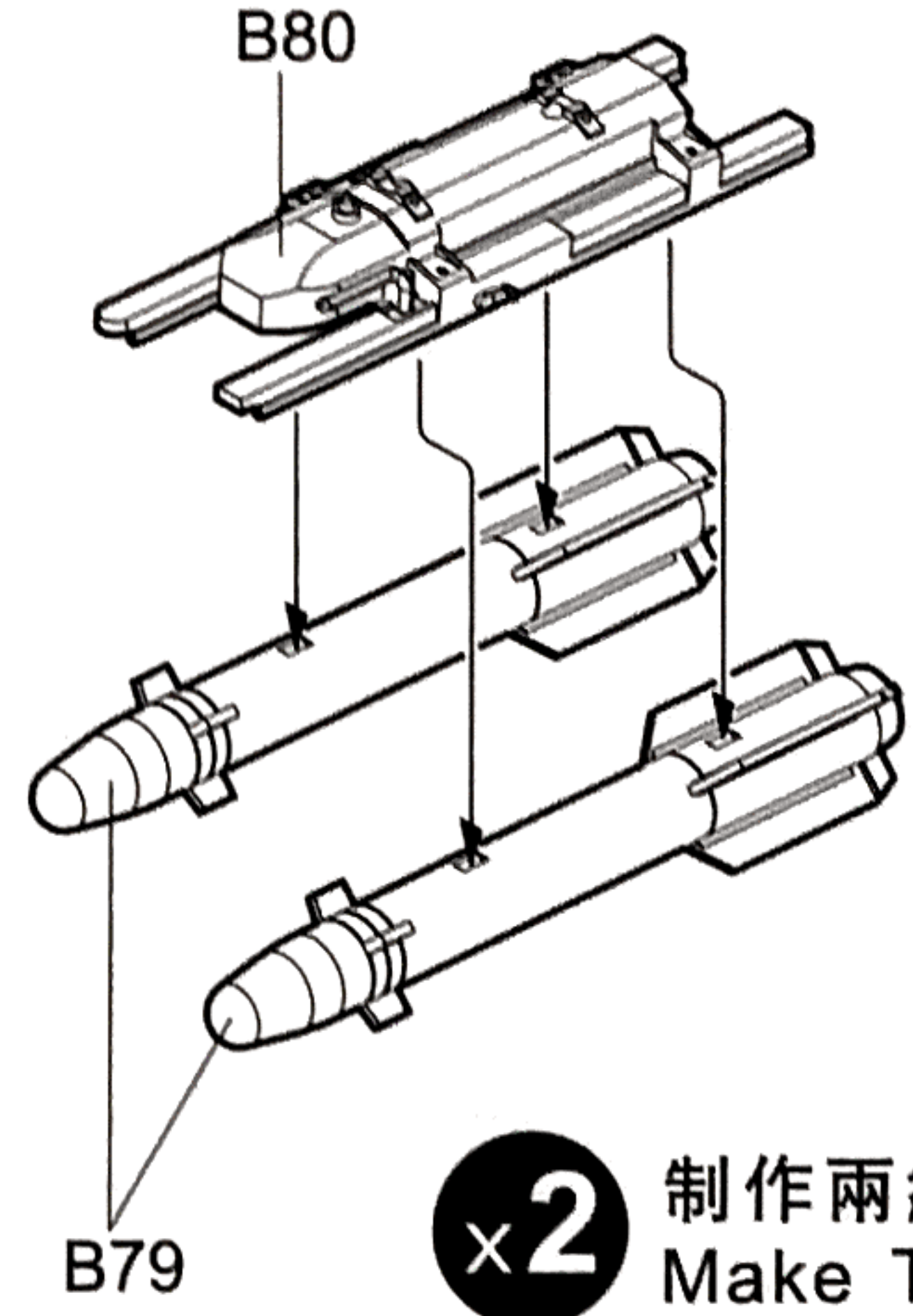
MH-6J



21 M260 FFAR 2.75" 12-Rocket pods.

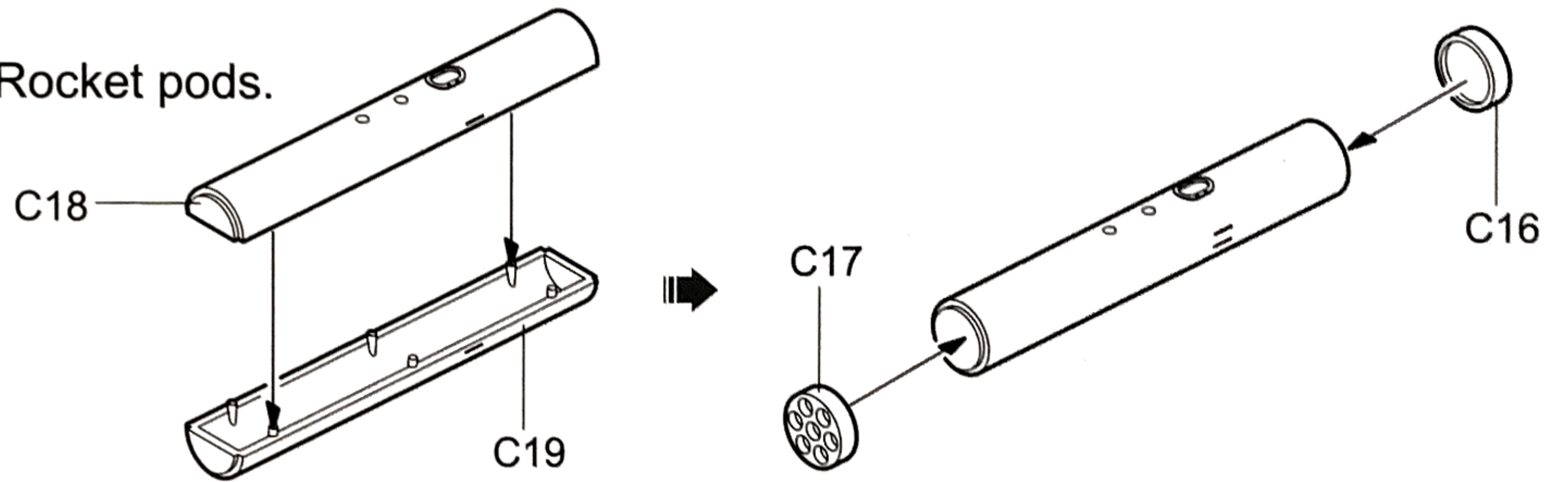


22 AGM-114 Hellfire

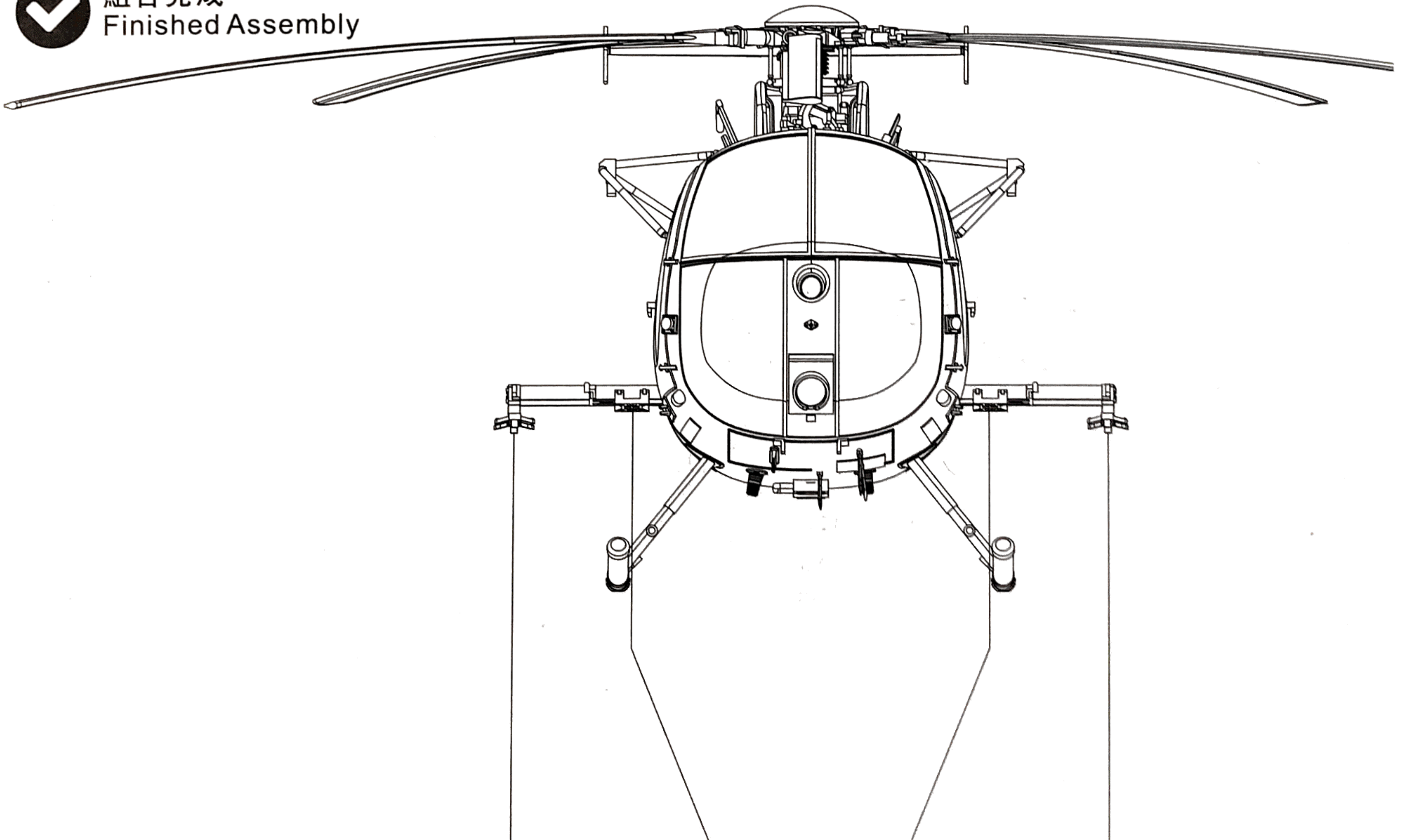


x2 制作兩組
Make Two

23 M260 FFAR 2.75" 7-Rocket pods.



✓ 組合完成
Finished Assembly



Missile	Sta.No	1	2	3	4
.50BMG GAU-19					●
7.62 MG-134			●	●	
M260 FFAR 2.75" 12-Rocket pods.		●			●
M260 FFAR 2.75" 7-Rocket pods.		●			●
AGM-114 Hellfire		●			●

Painting & marking Guide

塗裝與水貼

U.S. Army, AH-6J, (90-223635) operation in Somalia.



C2
BLACK
黑色

9



C10
COPPER
紫銅色

C47
CLEAR RED
透明紅

10(10)

3(3)

11(11)

7(7)

23635

635

UNITED STATES ARMY

9(9)

9(9)

24



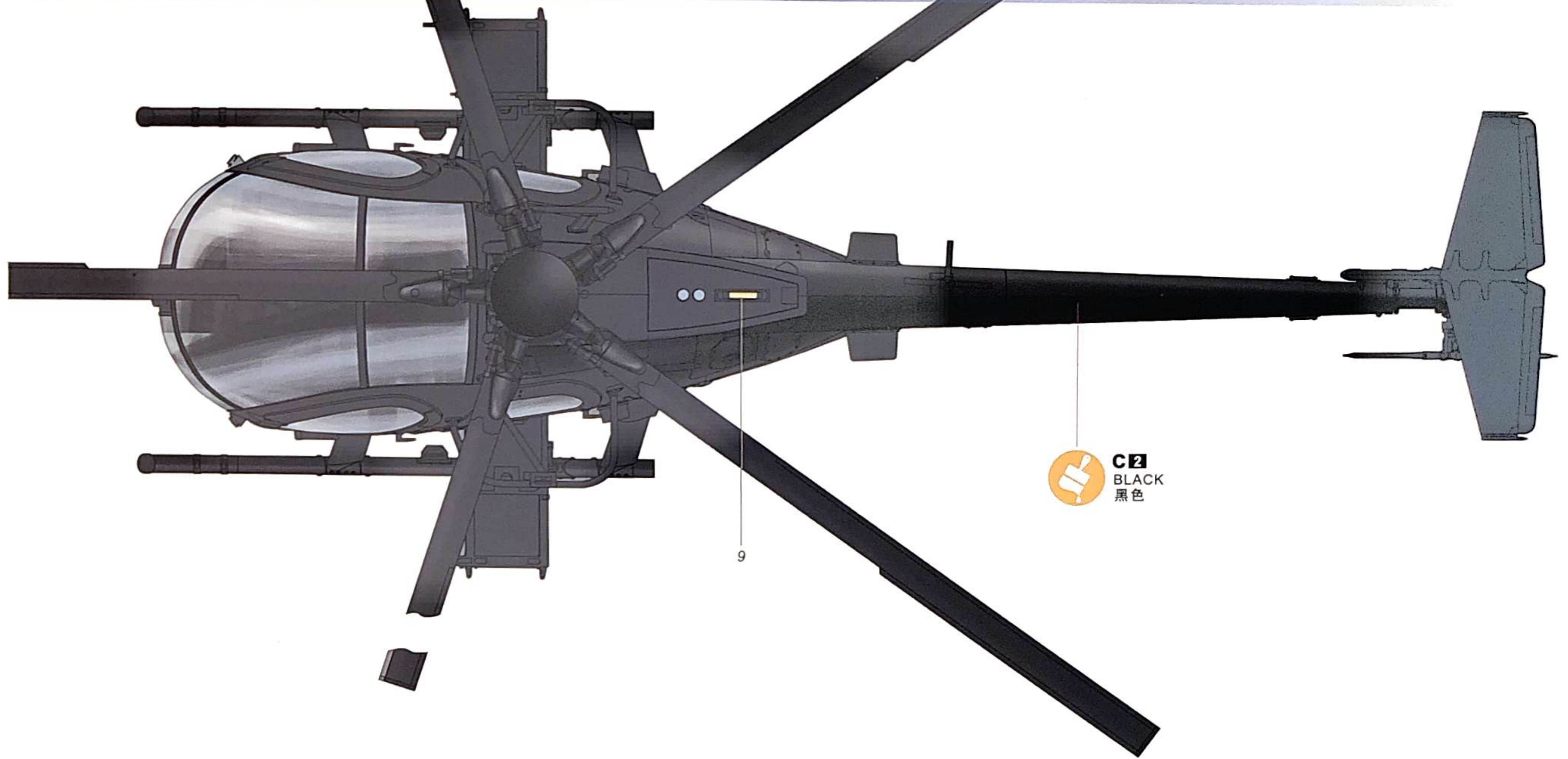
14

11

Painting & marking Guide

塗裝與水貼

U.S. Army, AH-6J, 160th SOAR (160th Special Operations Aviation Regiments.)



12

13

Painting & marking Guide

塗裝與水貼

U.S. Army, MH-6J, (95-25371) Operation in Somalia.



Painting & marking Guide

塗裝與水貼

U.S. Army, AH-6J, (90-25362), Operation in Somalia.

10



15

