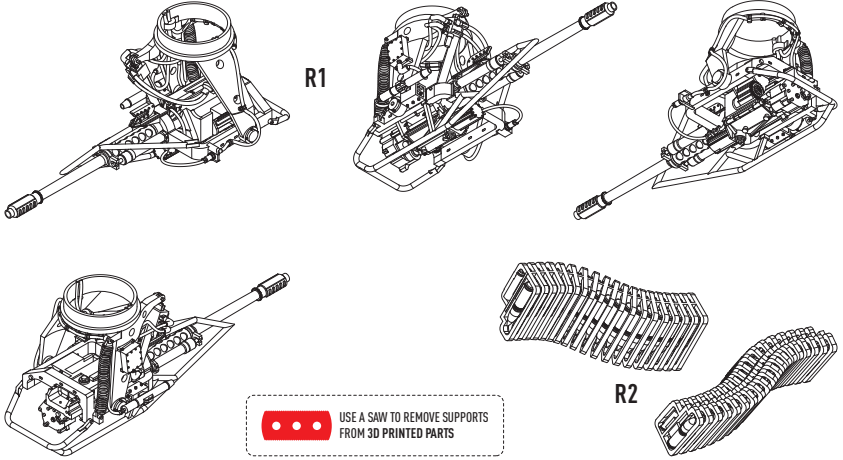
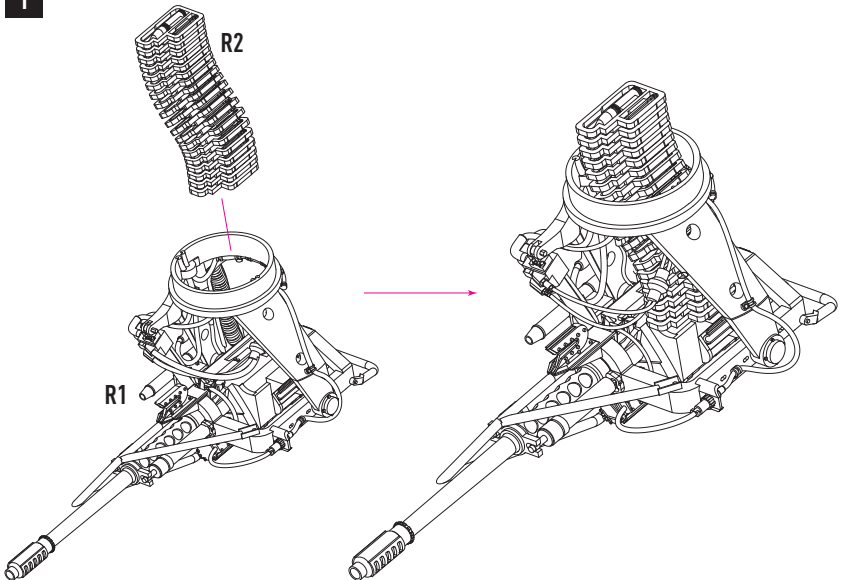


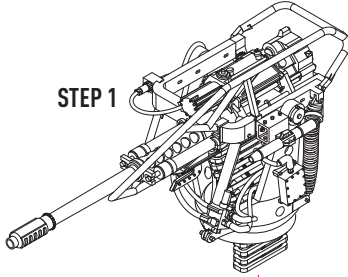
DETAILS AFTER REMOVAL FROM SPRUES



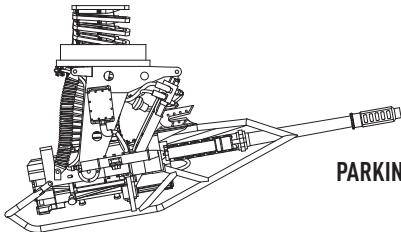
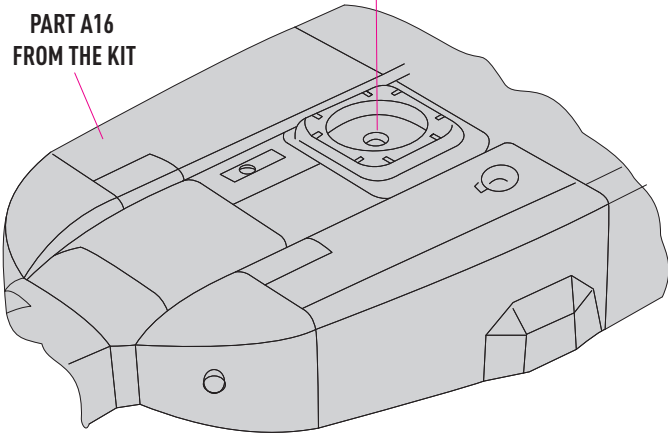
1



STEP 1



PART A16
FROM THE KIT



PARKING POSITION

