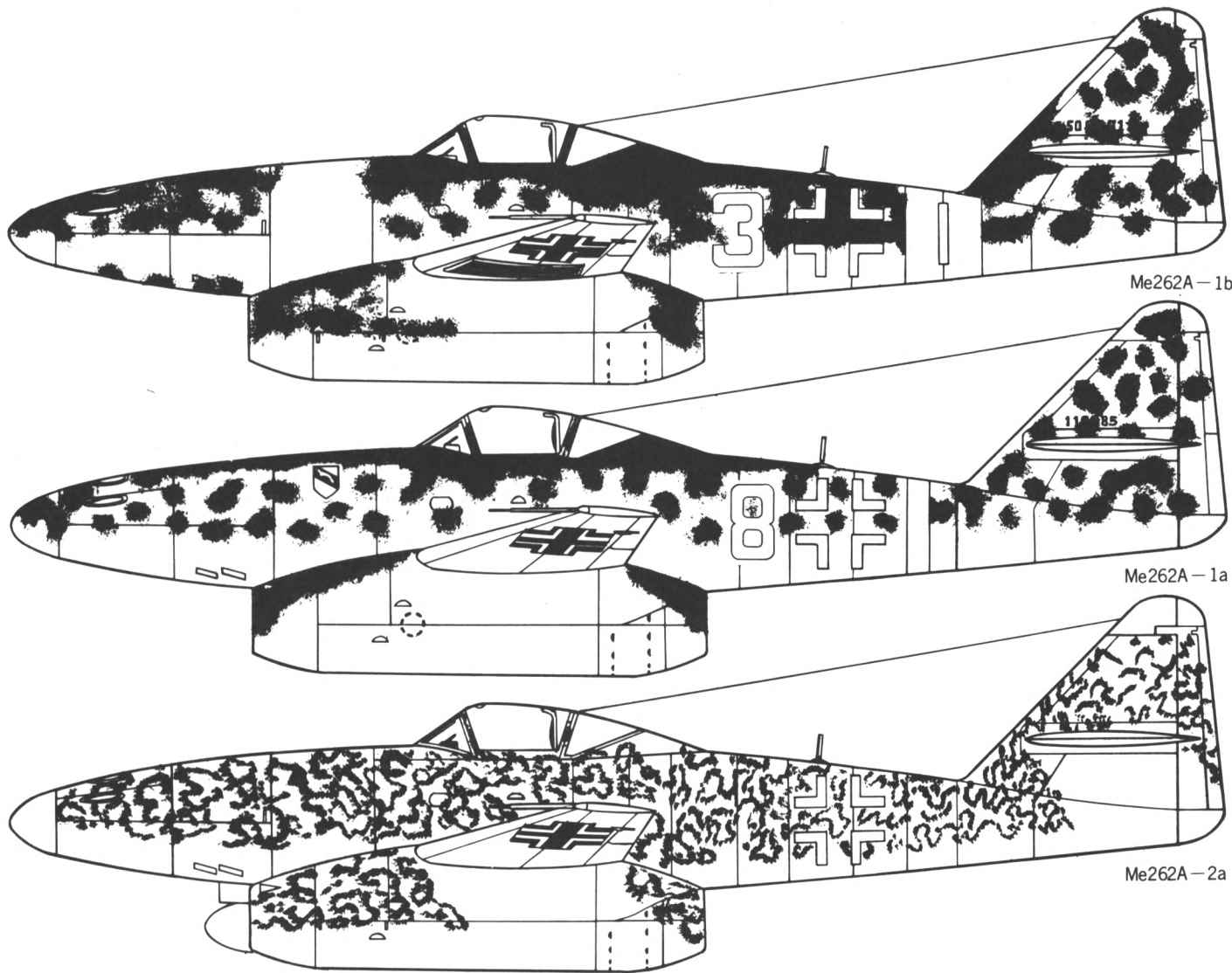


# MESSERSCHMITT ME 262A JET FIGHTER 1:32 SCALE



## Characteristics

Engine	: Junkers Jumo 004B-1 or 004B-2, 004B-3, Thrust 900kg. /2 unit
Overall Width	: 12.5m
Overall Length	: 10.6m
Overall Weight	: 6,925kg.
Max. Speed	: 870km/h
Ceiling	: Up to 9,000m ... 13.2 min.
Ceiling Range	: 11,450m
Flight Range	: 1,050km
Armament	: Rheinmetall MK. 108, 30mm Gun x 4
Crew	: 1
[Data for Jet Fighter Me262A-1a]	

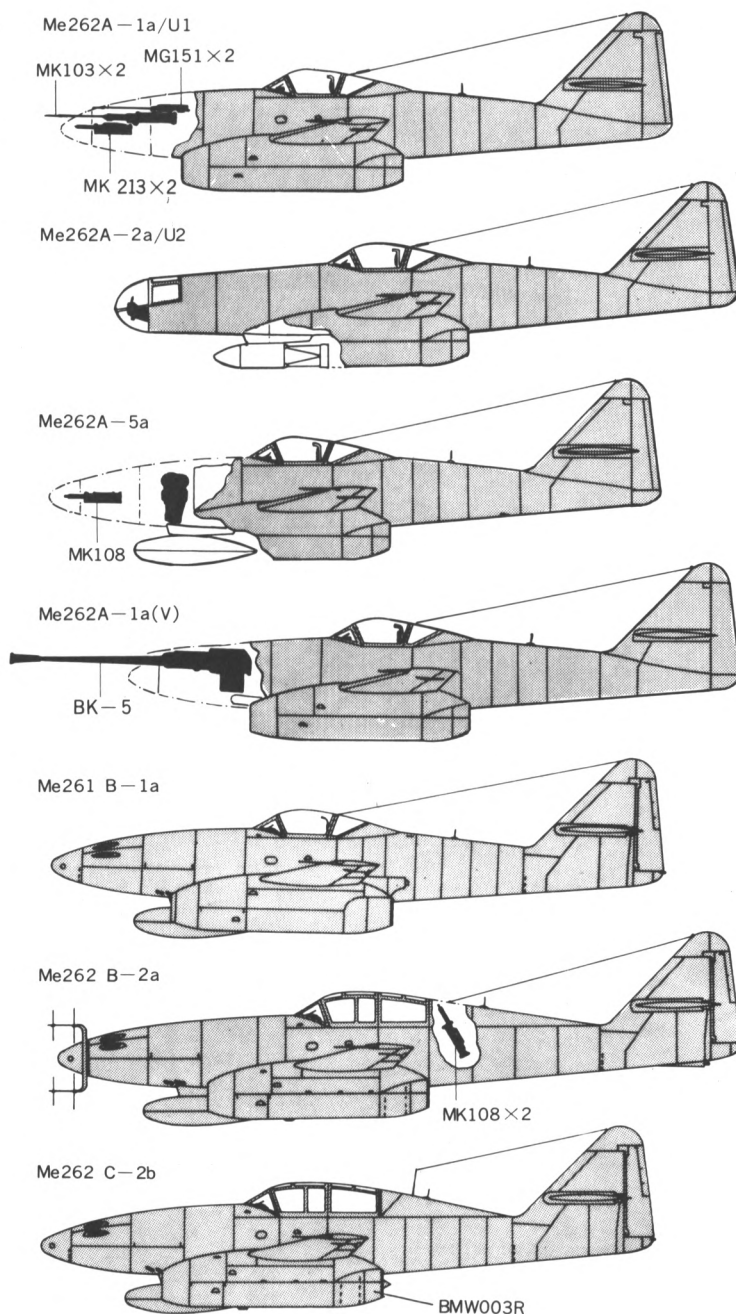
# MESSERSCHMITT ME262A

The design for the Me262 was the production No. 1065 of Messerschmitt Company, which took place a year before the outbreak of World War II. In autumn of 1938 Heinkel began its original development on turbo-jet and the German Ministry of Air Force solicited the Messerschmitt Company to design the plane to be outfitted with the axial flow type turbo-jet that was co-developed by Junkers and BMW. The mock-up was completed during the latter six months of 1939 and in the spring of 1940 the original models of 3 planes was ordered. The plane was completed in April of 1941, but there was no engine to be outfitted, therefore for the No. 1 plane was flown by reciprocating engine and thus the plane was developed for future purpose. The main wing of this plane was sweep-back at about 10°, with 2 cross beams and the interior utilized for the fuel tank. There is an automatic slat on the front edge of the wing that is opened at low speed, and it effectively prevents the plane from stalling. The horizontal tail is separate from the elevator and the angle on the horizontal stabilizer can be adjusted during the flight. In July 18, 1942, the No. 3 plane, Me262V3, outfitted with Junkers-Jumo 109-004 engine and by the jet propulsion she successfully made her first flight. The first test plane was equipped with tail wheel type landing gear, and for that reason during the take-off its speed must be accelerated to 150km and then braked so that the tail end lifts. Since then, from Me262V5, the landing gear was improved to front wheel type and Me262V6 was outfitted with Jumo 109-004B turbo-jet for its first test flight. The first mass-production type Me262A-1a, called Schwalbe (swallow), is outfitted with four 30mm MK108 automatic cannon on the nose and the engine is Jumo 004B-1, B-2, or B-3. The compression in this engine is in 8 stage and by this the air can be compressed eight fold of the atmosphere, which injects fuel in 6 combustion rooms at the back. The turbine is in one stage. The 30mm automatic cannon is very powerful and utilized by the Germans. The ammunition is charged by electrovacuum system and the shooting is electrical system; the upper two cannon holds 100 shells each and the bottom two cannon holds 80 shells each, and is adjusted to project to a single point at 500 yards distance. The Me262A-1b was designed to carry twenty-four 50mm R4M rocket bombs under its wing of A-1a, the former type of the plane and in 1945, when Germany was in the verge of defeat, forty planes were already produced. The rocket projection is corrected by the standard Revi sight and when fired from 800m distance it is capable of destroying a large bomber. This model was used by the 7th fighter squadron (Nowotny Corps) and the 44th fighter company. On the otherhand, the Me262A-2a, which was produced by the order carried out by Hitler, was called Schwalbe (pertel), carrying two 500kg. bomb under its fuselage or one 1,000kg. bomb, and by this the fighters, powered by reciprocating engine was unable to reach its full speed.

Model	Armament	Fuel	Service
A-1a	4 x 30mm MK108 Top Auto. Cannon (100 shells x 2) Bottom Auto. Cannon (80 shells x 2)	564.9lbs.	Fighter
A-1a/U1	2 x 20mm MG 151 2 x 30mm MK 213 2 x 30mm MK 103	564.9lbs.	Fighter
A-1a/U2	2 x 30mm MK 108	564.9lbs.	Fighter
A-1a/U3	2 x RB50/30 Camera	564.9lbs.	Aerial Photo Reconnoter
A-1b	4 x 30mm MK 108 R4M 50mm Rocket Bomb	564.9lbs.	Fighter
A-2a	4 x 30mm MK 108 1 x 500kg. Bomb 2 x 250kg. Bomb	564.9lbs.	Ground Attacker
A-2a/U1	2 x 30mm MK 108	564.9lbs.	Ground Attacker
A-2a/U2	1 x 500kg. Bomb or 2 x 250kg. Bomb	564.9lbs.	Aerial Photo Reconnoter

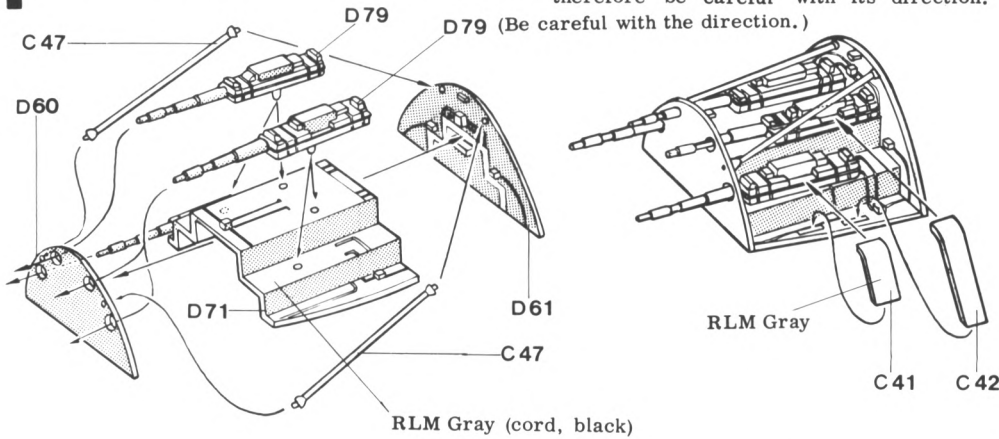
The first company for the bomber model was the detached unit of KG51, about the same time when Command Schenk and Command Nowotny was formed. In September of 1944, Command Nowotny was formed with sixty Me262A-1a and commenced action in October. Nowotny himself was killed in action in November 8, 1944, but the unit carried on it action as JG7 (Nowotny unit). At the end of 1944 Command Nowotny was formed and was part of the unit deployed with the Arado Ar234-2 jet bomber for combined operation. The Me262B series was in two types... trainer model and night fighter model. Me262B-1a/U1 was the night fighter, converted from the trainer model and its nose was outfitted with FuG218 radar. Moreover, the C series, advance powered model, was developed with rocket booster.

In March of 1945 Me262 was given priority in production, but only 1,433 planes was produced, for it was too late. Actually only about 150 planes showed action and in May 4, 1945 the Commander Gelland burned all of the Me262 before the eyes of the advancing U.S. ground force, and this closed the history of the glorious jet fighter.



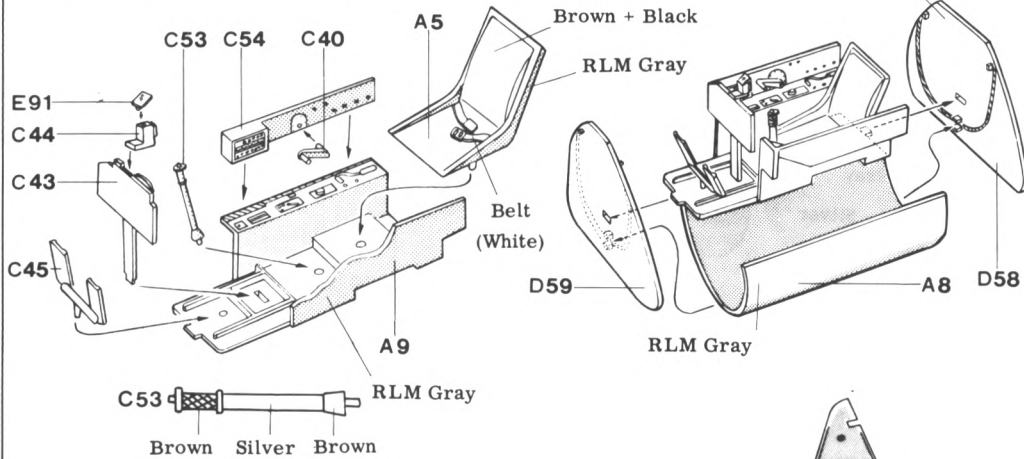
# 1 Automatic Cannon Assembly

\* Part D79 is on both the left and right sides, therefore be careful with its direction.



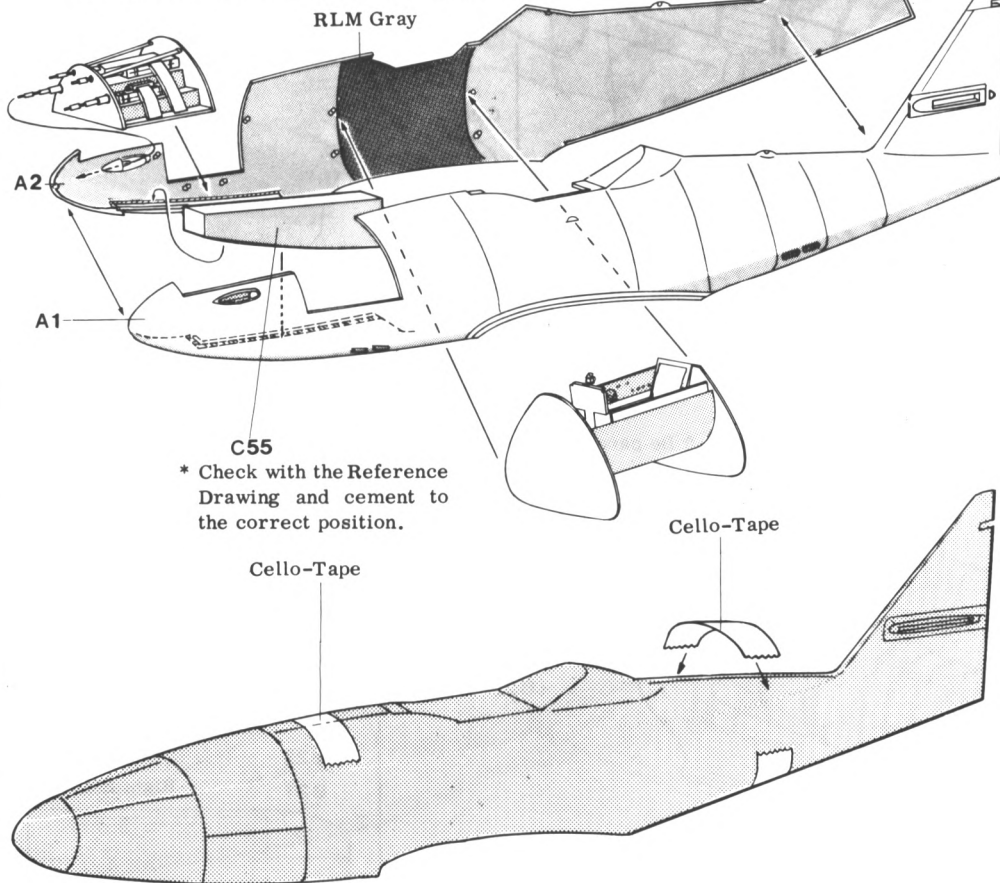
# 2 Cockpit Assembly

Cement part A8 to D58, and then to the oblique line on D59.



# 3 Fuselage Assembly

\* Before cementing the left and right fuselage, cement on the automatic cannon and part C55.



\* Check with the Reference Drawing and cement to the correct position.

# Before Assembling

\* Carefully read the instruction, before assembling your model and follow the instruction.

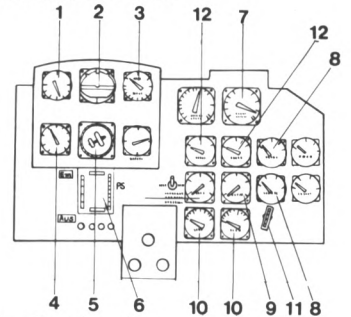
\* This kit can be made to any of the 3 models . . . A-1a, A-1b, A-2a; therefore decide what model you want to construct.

\* Carefully cut off the parts from the stem with a knife or nipper.

\* Unless instructed, use semi-gloss or mat finish paint for plastic.

Note: Tear and dispose the bag after the parts are removed. This will prevent the child from using it to over its head.

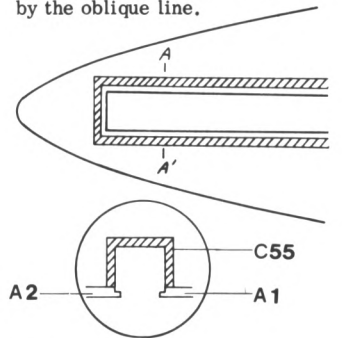
# Reference Drawing on Instrument Panel



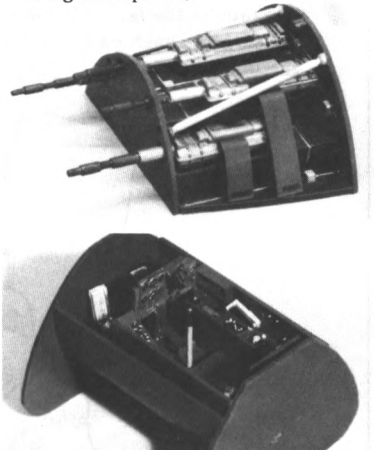
1. Speedometer
2. Flight Indicator
3. Rate of Climb Indicator
4. Altimeter
5. Radio Compass
6. Explosive Counter Switch
7. Tachometer
8. Exhaust Gas Temperature Gauge
9. Pressure Gauge
10. Fuel Gauge
11. Heater Change-Over Switch
12. Fuel Gauge

# Reference Drawing for Fitting

\* Cement C55 to the place indicated by the oblique line.



\* After the fuselage is cemented together, cement the cockpit to the designated place.



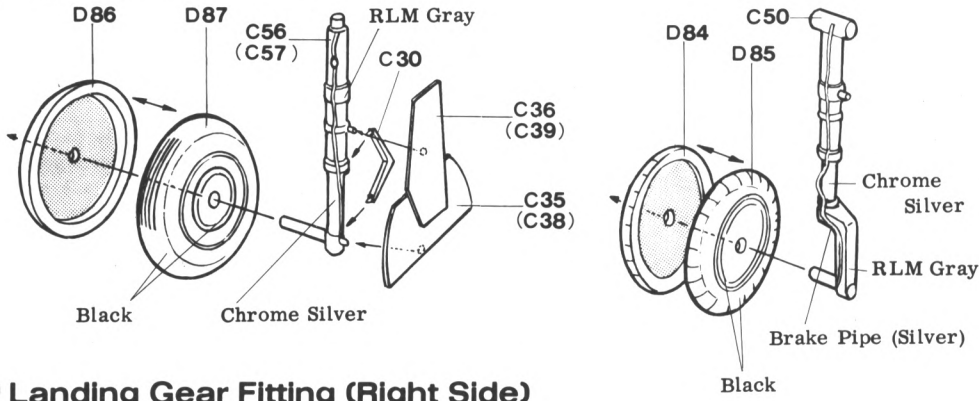
\* To cement the fuselage, use cello-tape to firmly keep it in place.

\* Clean off the joints, with a knife or paper file, for proper fitting.



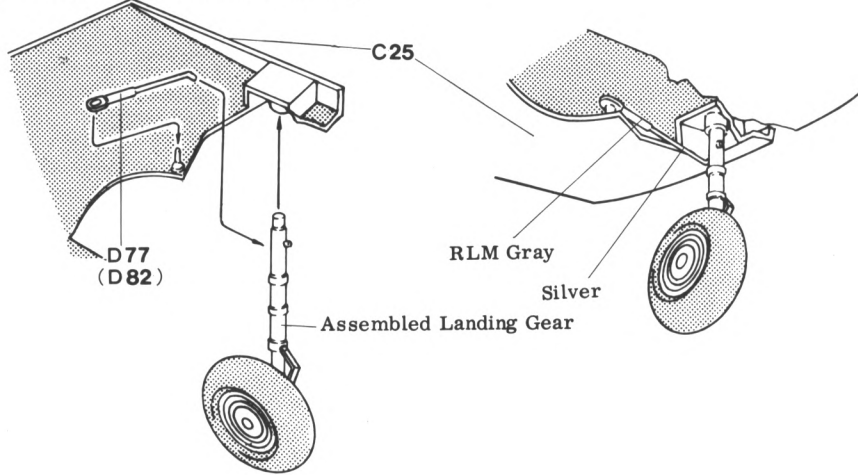
## 4 Landing Gear Assembly

\* Assemble both wheels the same way.

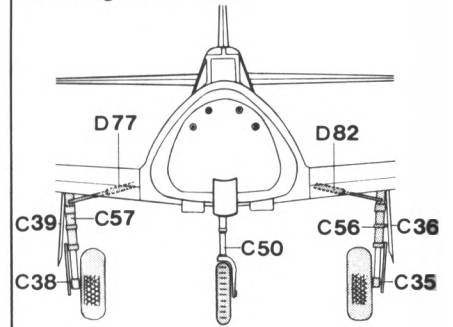


## 5 Landing Gear Fitting (Right Side)

\* Fit on the left side the same way.



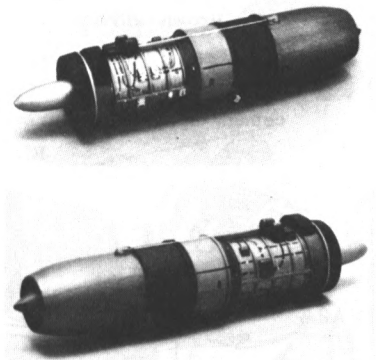
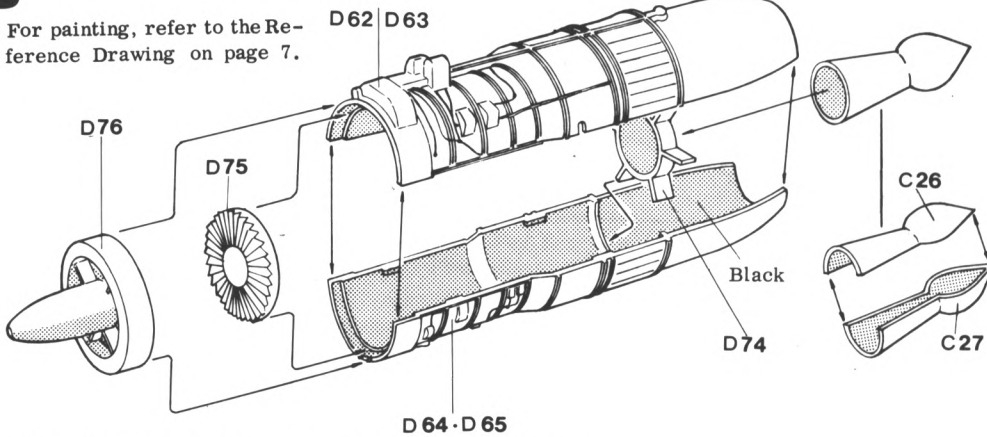
Reference Drawing for Landing Gear Fitting



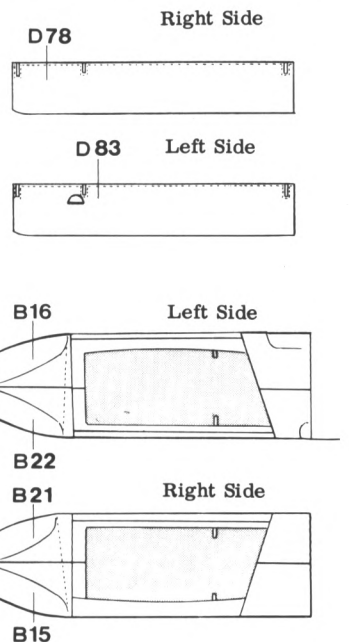
## 6 Engine Assembly

\* Fit on part D74 before the engine unit is cemented.

\* For painting, refer to the Reference Drawing on page 7.



Reference Drawing for Engine Pod

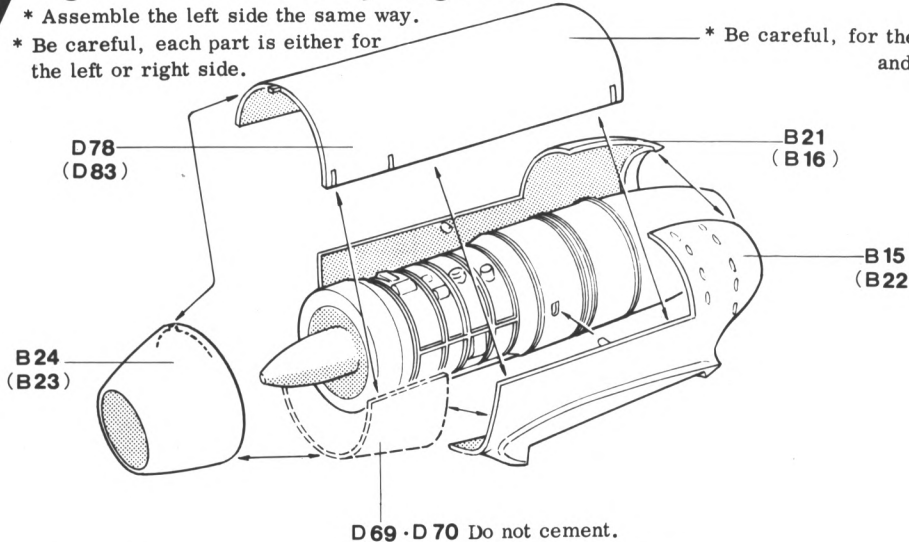


## 7 Engine Pod Assembly (Right Side)

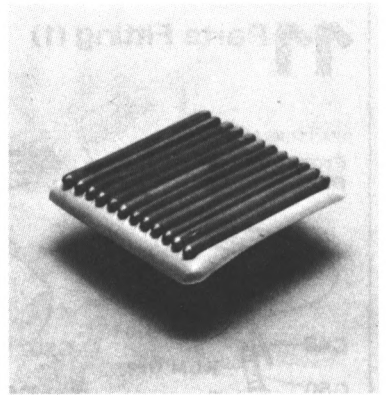
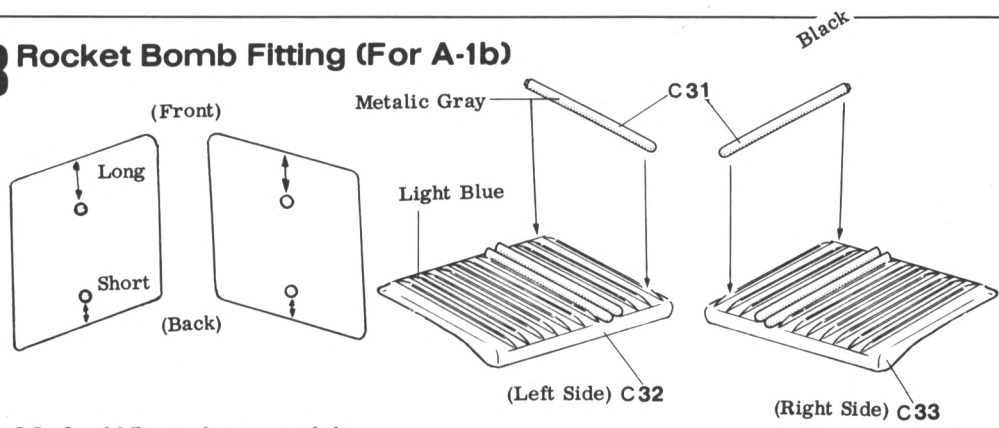
\* Assemble the left side the same way.

\* Be careful, each part is either for the left or right side.

\* Be careful, for the front and back.



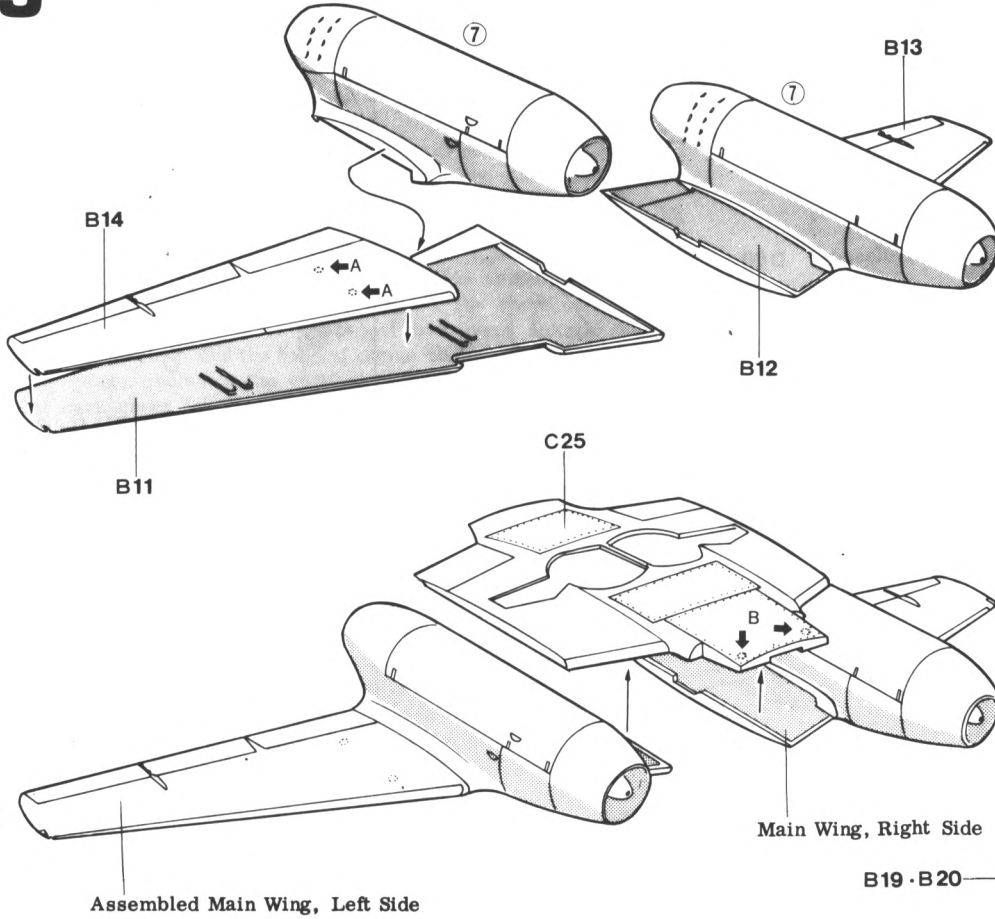
## 8 Rocket Bomb Fitting (For A-1b)



**Rocket Bomb**

\* Open the hole from the back, indicated by the arrow, for model to be assembled.

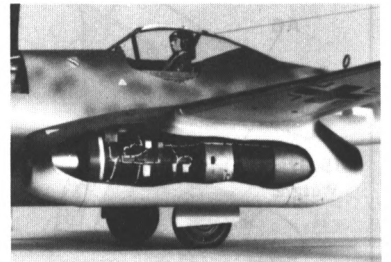
## 9 Main Wing Assembly



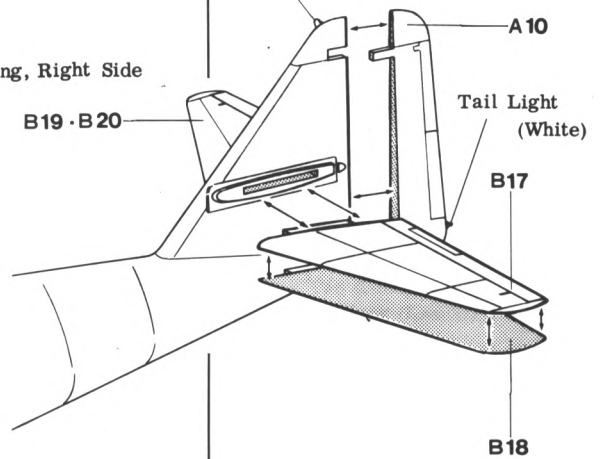
### Main Wing Assembly

\* Cement B11 and B12 on top side of main wing, B13 and B14 on the bottom side, and then fit on 7. Cement the assembled wing to the fuselage bottom panel C25.

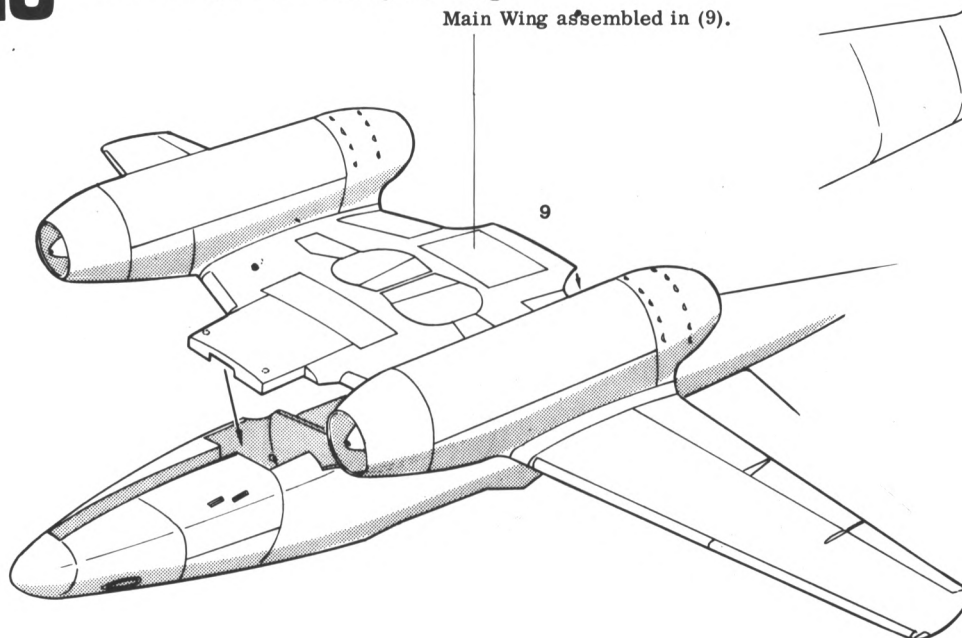
Cut Model



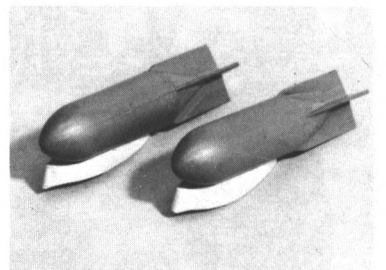
\* Cement the antenna wire here.



## 10 Main Wing, Tail Wing Fitting

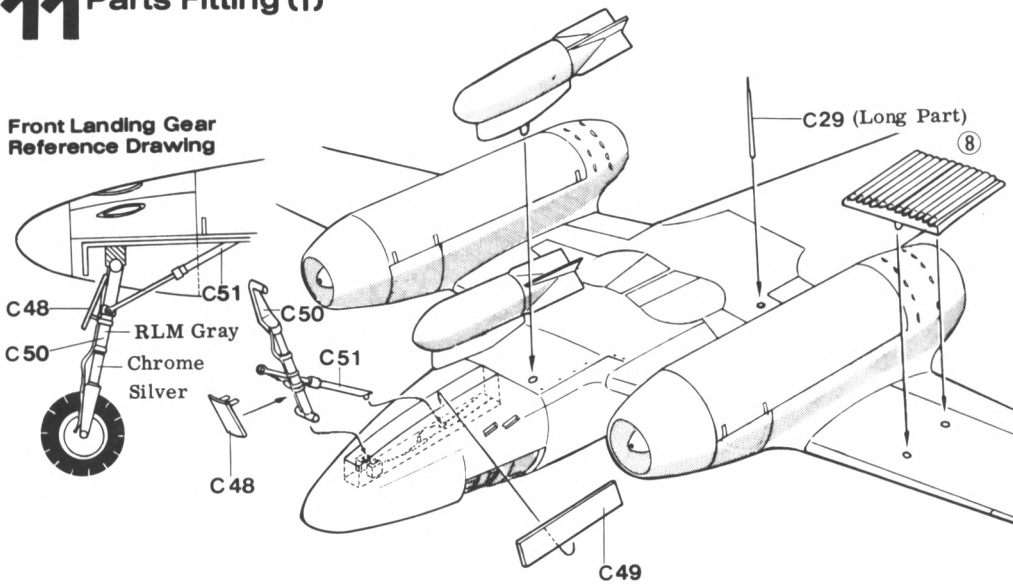


**Bomb**



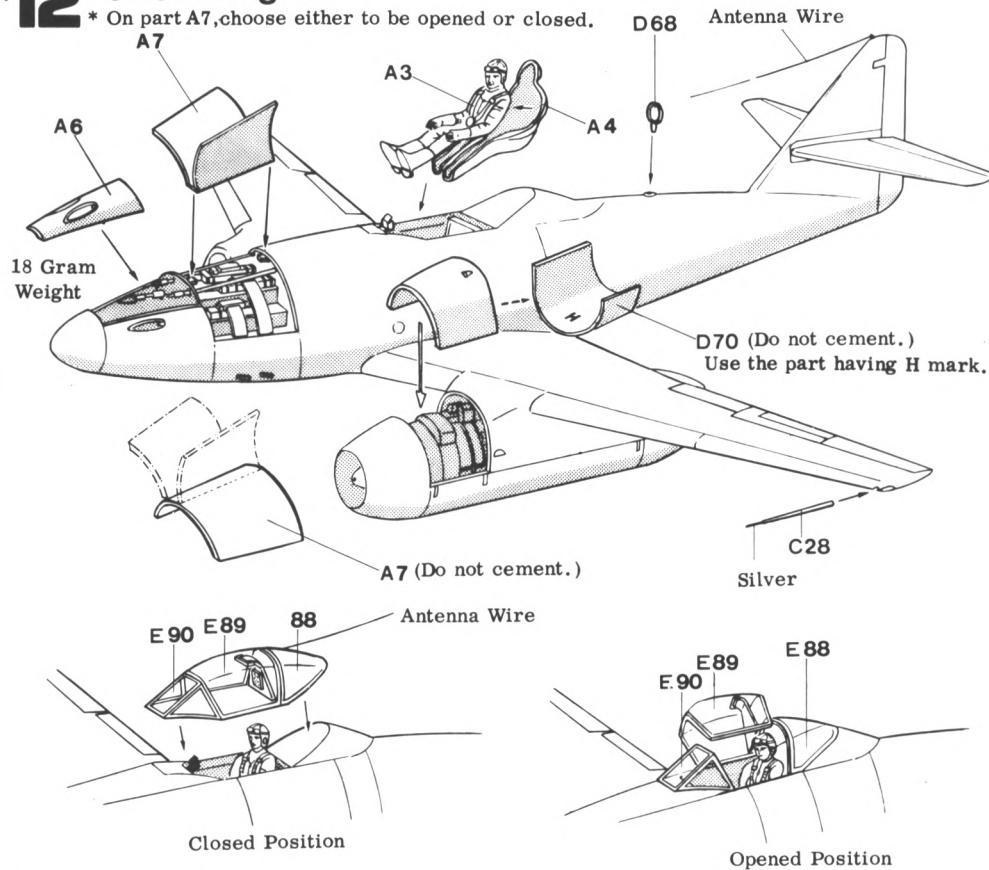
# 11 Parts Fitting (1)

Front Landing Gear Reference Drawing

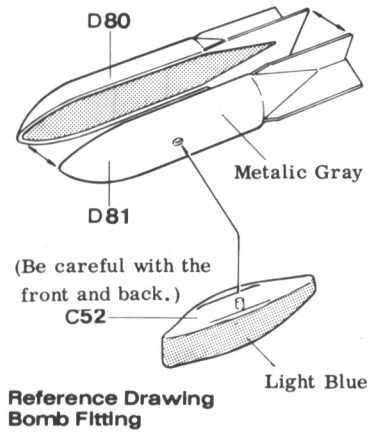


# 12 Parts Fitting (2)

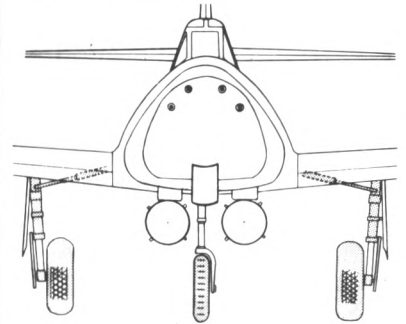
\* On part A7, choose either to be opened or closed.



# Bomb Assembly (for A-2a)

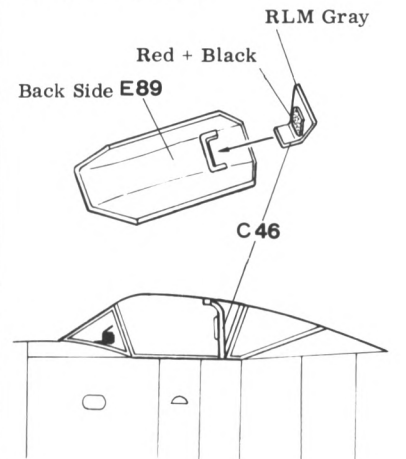


Reference Drawing Bomb Fitting



- \* Put a 18 gram weight in the nose.
- \* D70 Engine Pod Cover  
Right Side ... Part with M marking  
Left Side .... Part with H marking

On canopy E89, choose either to be opened or closed.



Reference Drawing on Canopy Fitting



## Decals

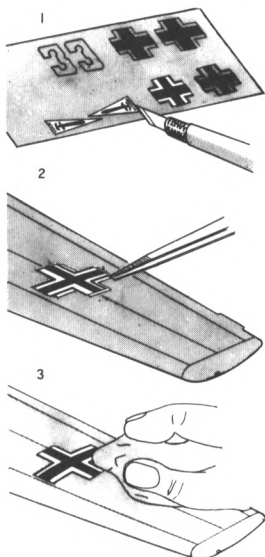
(1) Cut out the decal, to be used, from the card board and trim off the transparent side (not printed). (Refer to Drawing 1).

(2) Dip the decal into a lukewarm water until the cardboard curls and then remove. Wait until the cardboard returns to its original flatness; then it is ready to be transferred.

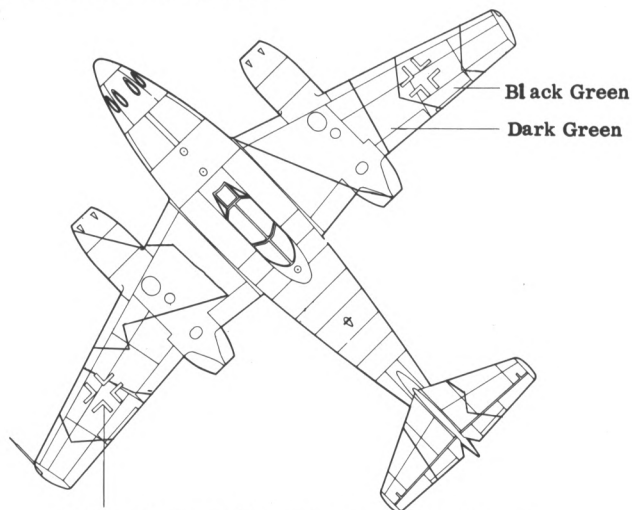
(3) Lightly press the edge of the decal with the finger and when it slides smoothly bring it to the surface of the model. (Refer to Drawing 2.)

(4) Slightly move the decal until it protrudes about 2 - 3mm off the edge of the cardboard. Then place the decal on the prescribed place and lightly press it and remove the cardboard by sliding it off.

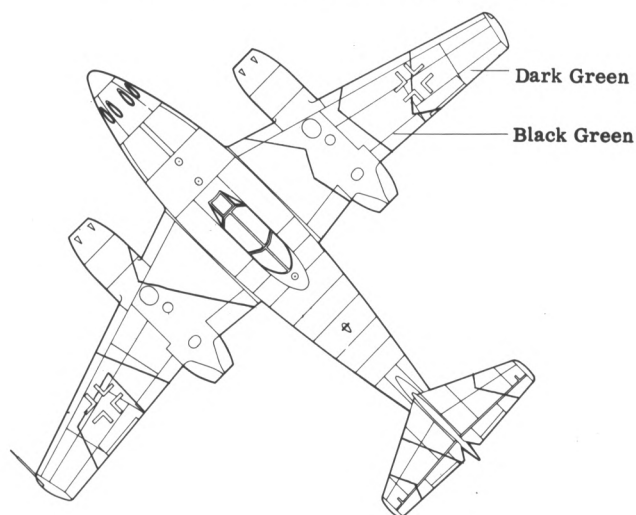
(5) Press the decal with a soft cloth that absorbs water and remove the moisture around the decal. Make sure the decal is positioned correctly and press it firmly to remove the moisture underneath and so that it adhere to the model. The place where the decal is to be transferred must be cleaned of any dust or oiliness.



## Splinter Pattern Camouflage



The mark is parallel to the front edge of the wing.



## Painting

The basic painting for Me262 are as follows. The single seater day model is shaded in green. The top side on the main wing and horizontal tail is painted black green and dark green splinter type camouflage, fuselage and the back of engine nacelle in dark green, side of fuselage (including the vertical tail) in light blue with RLM gray or dark green ink spot pattern or mirror wave camouflage. The bottom side is painted light blue with the border line to the side of fuselage blurred out. But during the closing stage of World War II the camouflage became confused and disorderly, for each unit painted their planes to the taste of its pilot and service crew with variation of camouflage painted on the ink spot pattern. The nationality mark on the fuselage and on the top of the main wing is outlined in white, indicating the cross (without the black Iron Cross), the bottom side of the main wing was indicated with the standard iron cross and the vertical stabilizer was marked with either standard, white removed, gray or black (without the white edge) Haken Krouz. There was two types of standard nationality mark for the top side of the main wing, one parallel to the axis is because of the sweep-back wing and the other parallel to the front edge of the wing. The two seater trainer is basically the same as the single seater day model. On the two seater night fighter, the fuselage was painted light gray on the top side and dark gray ink spot pattern camouflage on the side, and the top side of the wing gray splinter type camouflage and its bottom side light blue or light gray. The nationality mark on the fuselage and top side of the main wing was in black outline, the bottom side of the wing with standard Iron Cross and Haken Krouz without the white edge.

## Colors Used

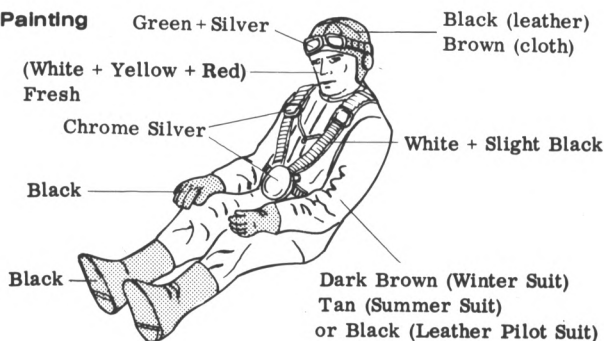
- Black Green : (Black + Green) Schwarz-Grün
- Drak Green : (Green + Brown + Black + Yellow) Dunkel-Grün
- Light Blue : (White + Dark Blue + Yellow + Slight Black) Hell-Grau
- RLM Gray : (Yellow + Green + White + Slight Black) RLM Grau  
In England Greenish Gray is called Light Olive Green.
- Sandy Brown : (Yellow + White + Brown + Slight Black) Gelb 79
- Light Gray : (White + Black + Yellow + Blue) The brightness is almost the same as Light Blue ... Grau 76.
- Dark Gray : (White + Black + Yellow) Grau 74
- Metallic Gray : (Silver + White + Black + Clear) Used on metal parts.

Other than listed above, it will be convenient to have on hand the primary colors (red, yellow, blue, green), white, black, silver, copper and chrome silver colors. Use semi-gloss or mat finish paints.

## Ink Spot Pattern & Mirror Wave

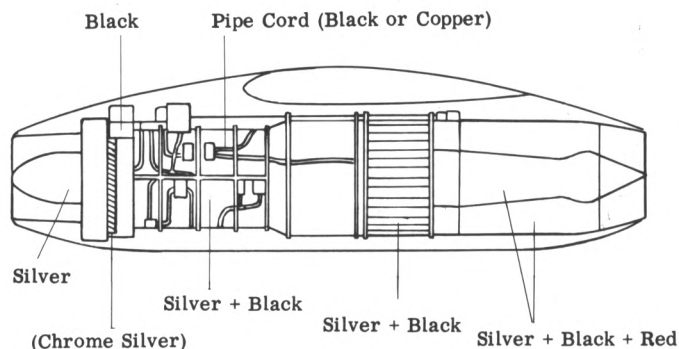
Ink spot pattern is done by using the scrub brush with liberal amount of paint on the brush, and lightly hitting the surface (vertically towards the surface). The knack is to first start on a separate newspaper and lightly hit the tip and let the paint on the brush tip to harden. As another method, first paint a coat of lacquer on the surface for the base and then a coat of enamel thinner. Before the thinner dries, spot the surface with enamel paint. For mirror wave, it is painted the same method as the ink spot pattern, but it is best to use a moderate amount of paint.

## Details Painting



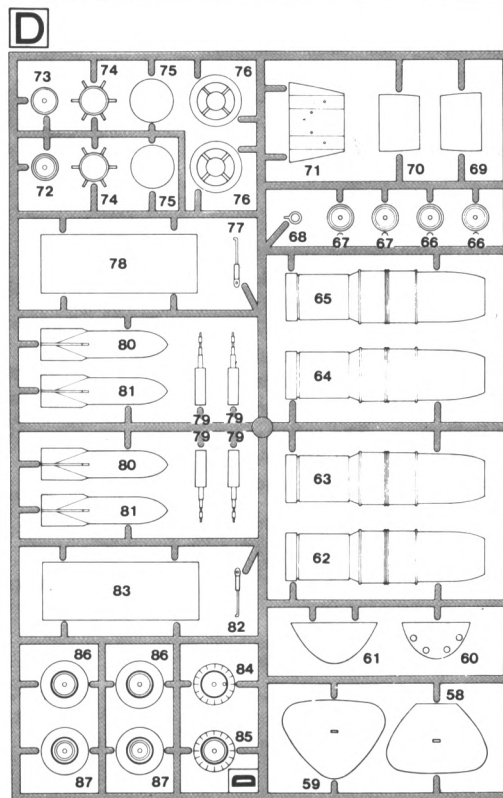
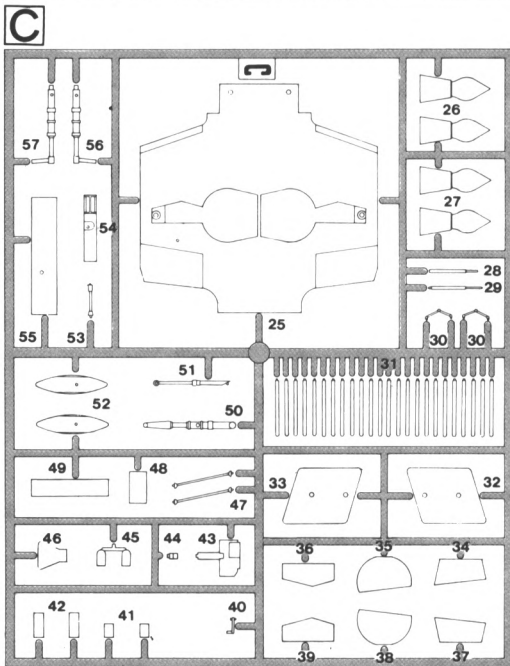
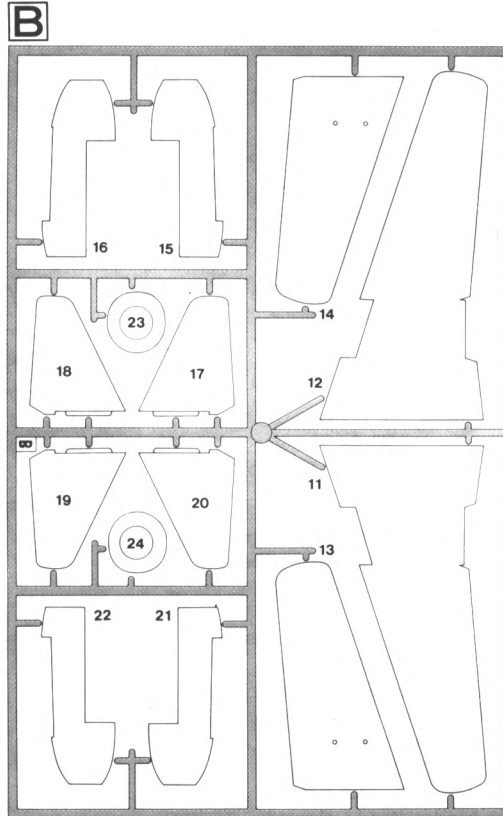
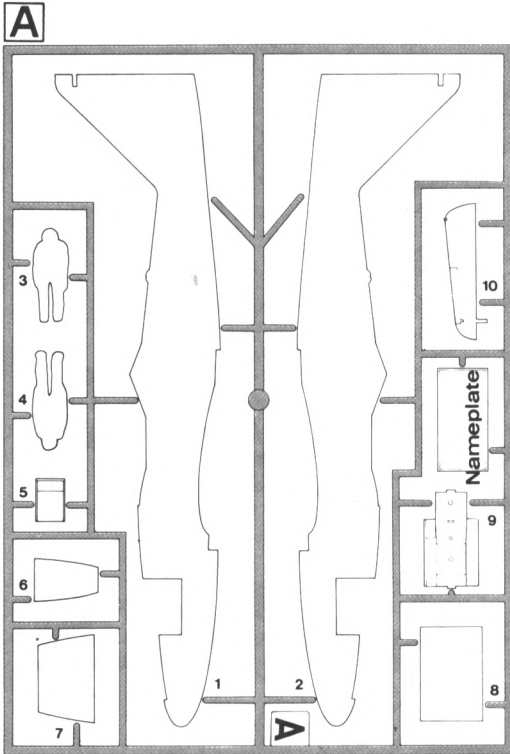
- Plane Interior, Instrument Panel, Seat ..... RLM Gray
- Wheel Housing, Wheel Cover Inner Side ..... RLM Gray
- Landing Gear ..... Unpainted Silver, Black Green or RLM Gray
- Wheel ..... Dark Gray (wheel), Black (tire)

## Engine Painting



\* Change the color scheme of Silver according to the parts.

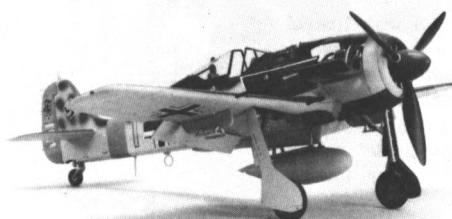




### Parts List

- 1, 2. Fuselage (L) (R)
- 3, 4. Pilot
5. Seat
6. Machine Gun (A)
7. Machine Gun (B)
8. Airtight Chamber
9. Cockpit Floor
10. Rudder
- 11, 12. Main Wing Top (L) (R)
- 13, 14. Main Wing Bottom (L) (R)
15. Engine Pod Center (R)
16. Engine Pod Center (L)
- 17, 18. Horizontal Tail (L)
- 19, 20. Horizontal Tail (R)
21. Engine Pod (R)
22. Engine Pod (L)
23. Engine Pod (Front)
24. Engine Pod (Front)
25. Main Wing Bottom
26. Variable Rectifier (Upper)
27. Variable Rectifier (Lower)
28. Pitot Tube
29. Antenna
30. Oleo
31. Rocket Bomb
- 32, 33. Rocket Bomb Rack (L) (R)
- 34, 35, 36. Main Landing Gear Cover (R)
- 37, 38, 39. Main Landing Gear Cover (L)
40. Handle
41. Bullet Belt (A)
42. Bullet Belt (B)
43. Instrument Panel
44. Gun Sight
45. Foot Pedal
46. Head Rest
47. Bulkhead Strut
48. Front Landing Gear Cover (A)
49. Front Landing Gear Cover (B)
50. Front Landing Gear
51. Front Landing Gear Strut
52. Bomb Rack
53. Control Stick
54. Side Panel (Right)
55. Front Landing Gear Case
- 56, 57. Main Landing Gear (L) (R)
58. Bulkhead (Back)
59. Bulkhead (Front)
60. Bulkhead (A)
61. Bulkhead (B)
- 62, 63. Engine Center (Upper)
- 64, 65. Engine Center (Lower)
66. Main Landing Wheel (Inner)
67. Main Landing Wheel (Outer)
68. Loop Antenna
- 69, 70. Engine Pod (Upper)
71. Machine Gun Carriage
- 72, 73. Front Wheel (L) (R)
74. Exhaust Rectifier Plate
75. Compressor Fan
76. Engine (Front)
77. Main Landing Gear Strut
78. Engine Pod (R) Bottom
79. MK 108 30mm Automatic Cannon
- 80, 81. Bomb (L) (R)
82. Main Landing Gear Strut
83. Engine Pod (Left Bottom)
- 84, 85. Front Landing Wheel (L) (R)
86. Main Landing Wheel (Outer)
87. Main Landing Wheel (Inner)
- 88, 89, 90. Canopy
91. Gun Sight Parts

Parts marked ○ are not used



### ● 1/32 SCALE SERIES

- No.1 FOCKE WULF FW-190
- No.2 BOEING P-12
- No.3 CURTISS BF2C-1
- No.4 BOEING F4B-4
- No.5 ZERO FIGHTER TYPE 52
- No.6 MESSERSCHMITT Bf109E
- No.7 MESSERSCHMITT Me262A

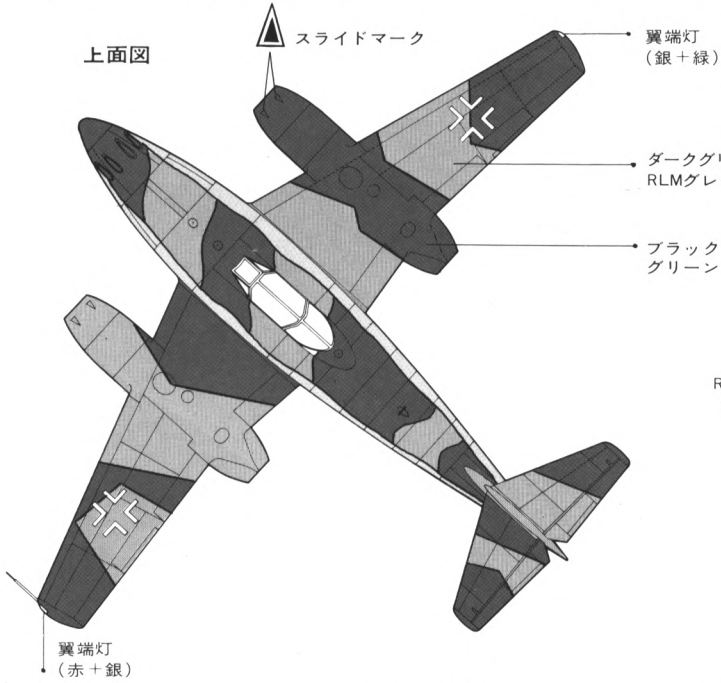


# Messerschmitt Me262A

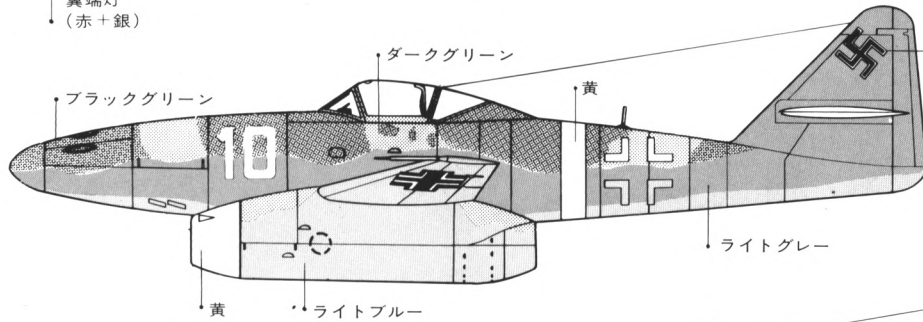
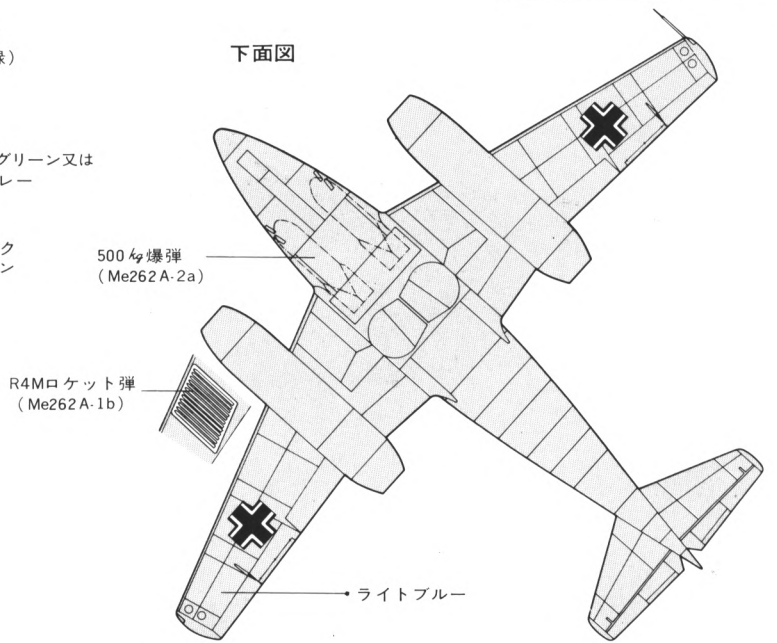


1/32 SCALE ドイツ空軍戦闘機メッサーシュミット Me262A

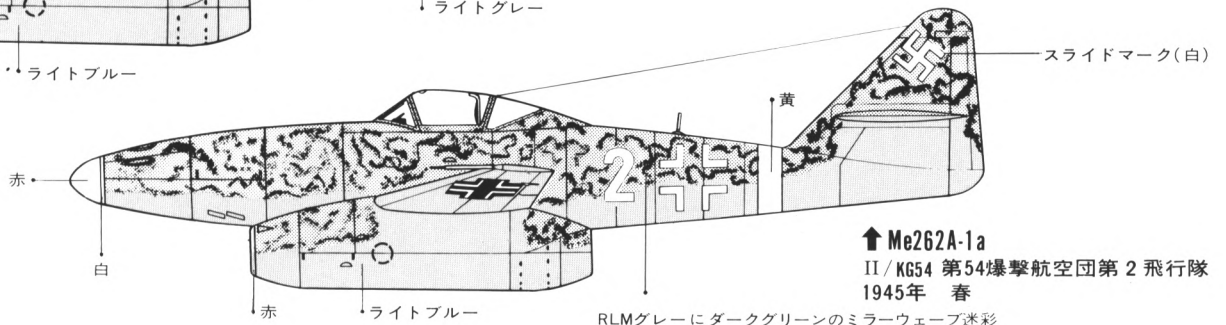
上面図



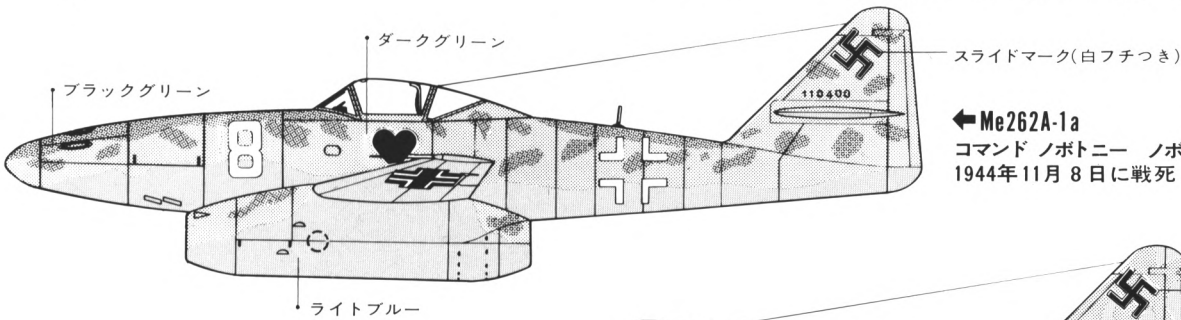
下面図



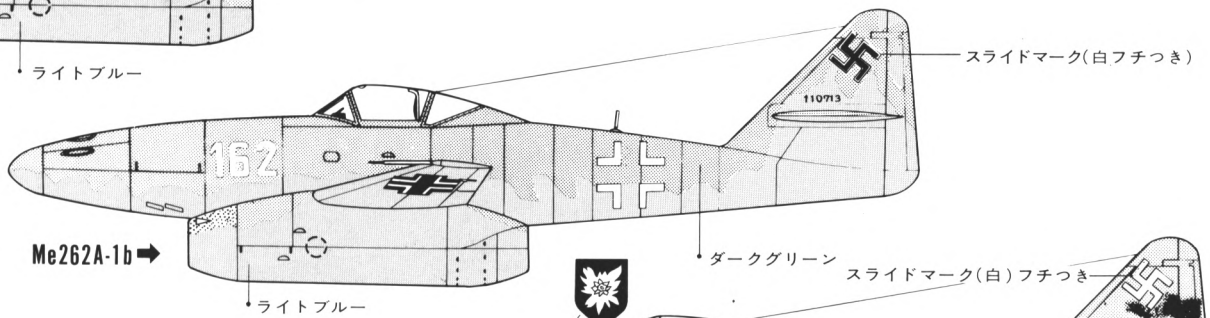
← Me262A-1a  
コマンドノボトニー  
1944年 秋



↑ Me262A-1a  
II/KG54 第54爆撃航空団第2飛行隊  
1945年 春



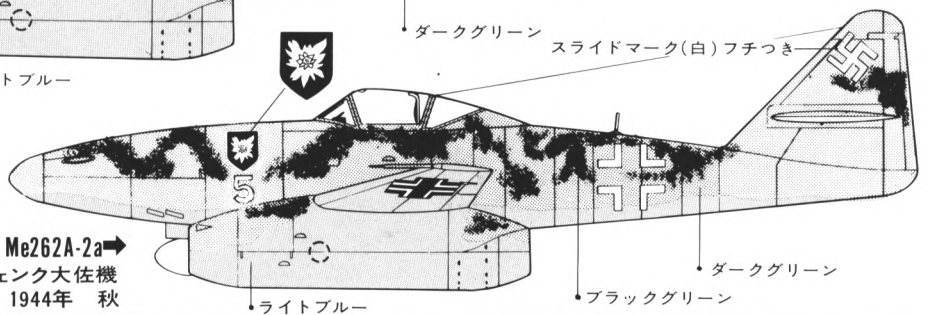
← Me262A-1a  
コマンドノボトニー ノボトニー少佐機  
1944年11月8日に戦死



Me262A-1b →



Me262A-2a →  
KG51 コマンドシェンク  
シェンク大佐機  
1944年 秋

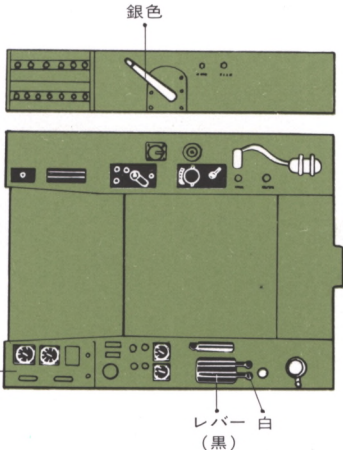
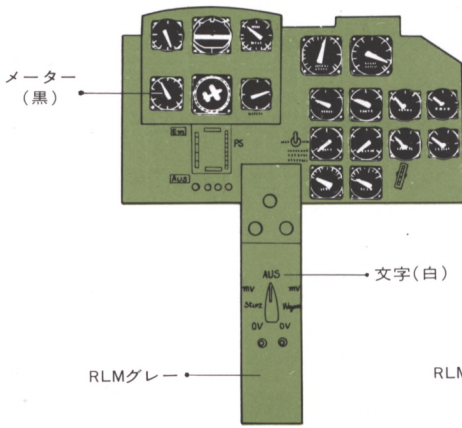
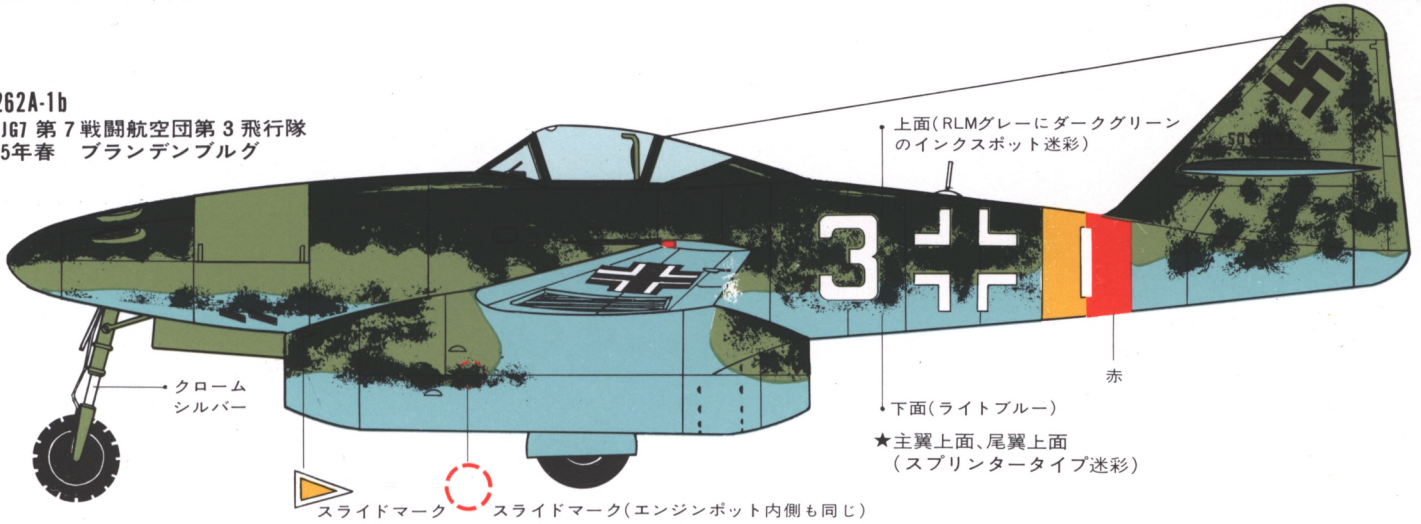


# Messerschmitt Me262A



1/32 SCALE ドイツ空軍戦闘機 メッサーシュミット Me262A  
(ハセガワ カラーガイド)

**Me262A-1b**  
III / JG7 第7 戦闘航空団第3 飛行隊  
1945年春 ブランデンブルグ



JG7(第7 戦闘航空団)  
コマンド ノボトニーの部隊マーク



KG51(第51 爆撃航空団)  
コマンド エーデルワイスの部隊マーク  
※KG51の部隊マークからアレンジされたマーク。

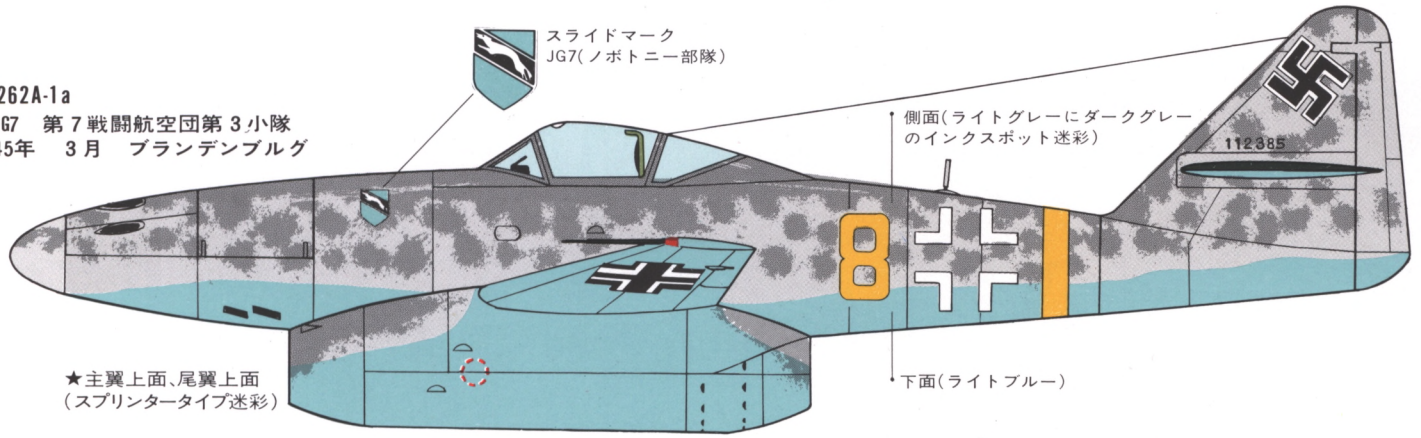


JG54(第54 戦闘航空団)  
ノボトニー少佐の乗機のマーク。



JG7(第7 戦闘航空団)  
コマンド ノボトニーのマークのバリエーション。図は右側を示します。

**Me262A-1a**  
3 / JG7 第7 戦闘航空団第3 小隊  
1945年 3月 ブランデンブルグ



**Me262A-2a**  
I / KG51 第51 爆撃航空団第1 飛行隊  
1945年 春

