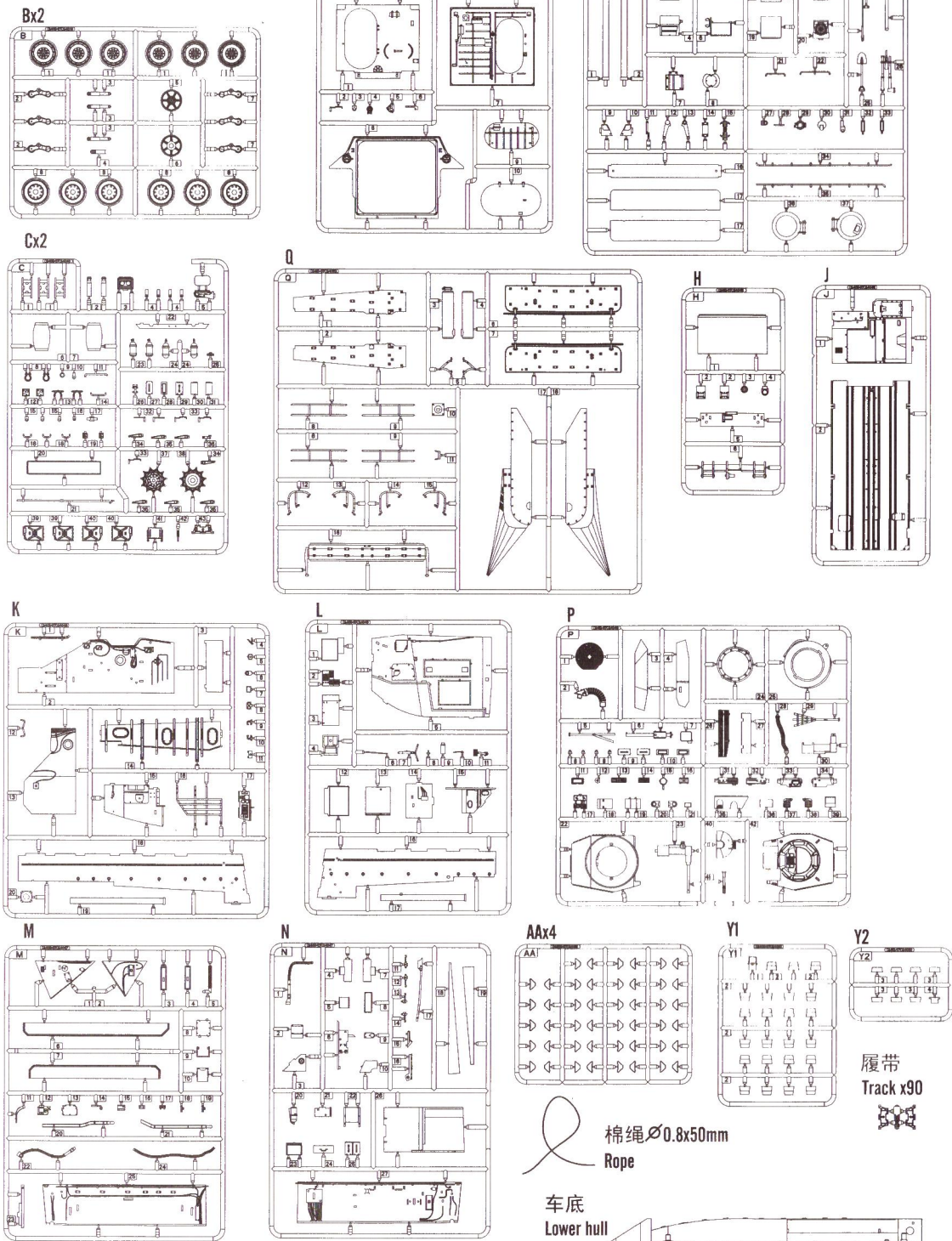
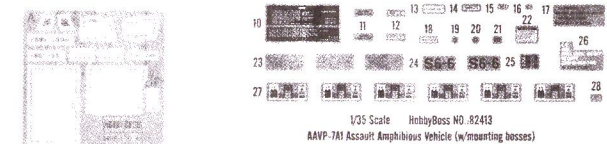


部品图 Parts

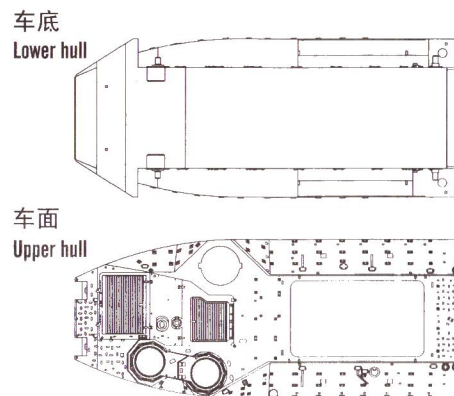


蚀刻片-A
Photo etched parts(PE) -A



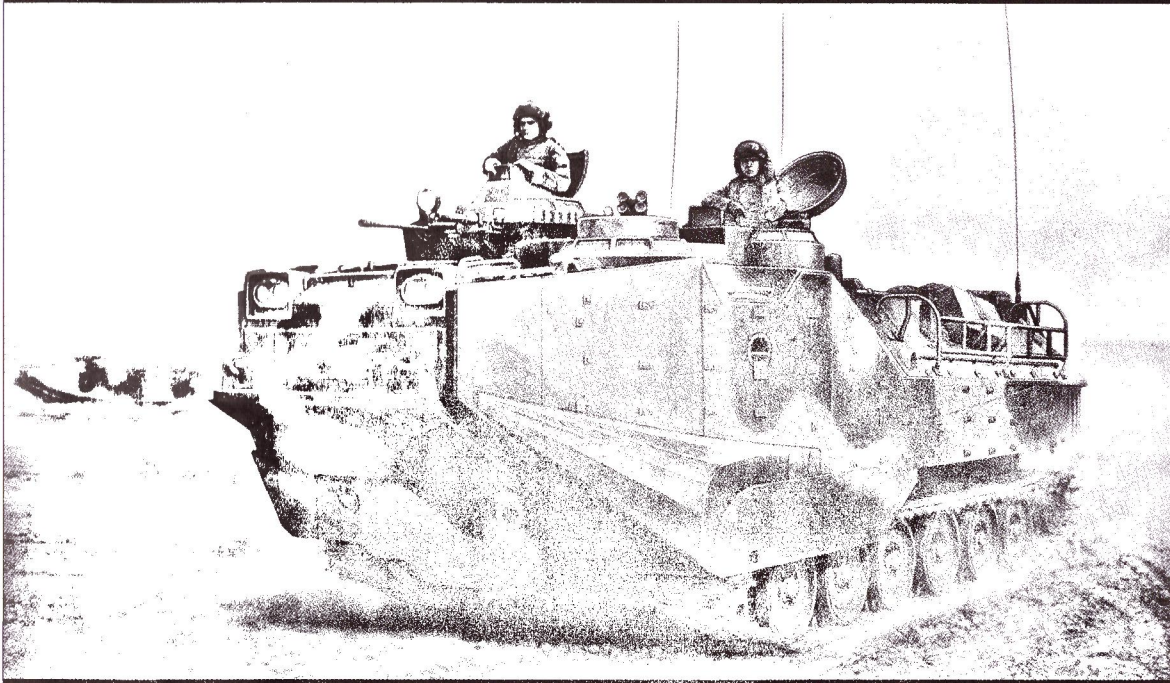
水贴纸
Decal

棉绳 $\varnothing 0.8 \times 50 \text{mm}$
Rope



1/35 Scale

ITEM No.:82413



AAVP-7A1 Assault Amphibious Vehicle (w/mounting bosses)

アメリカ海兵隊 AAVP-7A1 两栖运兵车挂点型

PLEASE READ BEFORE OPERATION!

- * Tools recommended as below: (Not included)
Adhesives; Paints; Side Cutters; Sharp Edged Pliers; Modeling Knife; Modeling File; Nippers; Drill; Scissors; Sand Paper; Soft Cloth; Cyanoacrylate Glue.
- * Make sure to read this instruction listed below before assembling.
- * The kit contains the small parts, they can be dangerous if swallowed by mistake, so keep them away from reach of children.
- * Cut the all parts off carefully and remove the waste parts into the garbage can.
- * More caution and care should be needed for cutting and handling the photo etched parts.
- * Make attention that some parts should be attached the decal when assembled.
- * During assembling, please tear up and throw away the plastic bags, or may cause the dangerous if wearing over head by children's mistake.
- * When using the adhesives and paints, please do not use them in the closed room or near the fire, also must be very careful to protect your eyes, face and clothes.
- * Adult supervised when assembled by children under 14 years old.

装配前请仔细阅读:

- * 推荐使用的模型工具(请自备):
专用模型胶水, 专用模型油漆, 水口剪刀, 长咀钳, 刀片, 锉刀, 镊子钳, 钻, 剪刀, 软布, 砂纸, 瞬间快干胶等。
- * 用水口剪刀或刀片小心切下所有塑胶零件和蚀刻片零件, 不要遗失小零件。
- * 切取蚀刻片时应特别注意防止利刃划伤手指。
- * 用模型锉刀小心锉平所有零件表面的注射浇口。
- * 用适量的强力快干胶水粘合蚀刻片零件和金属轴, 切忌过量, 否则可能导致可动零件被粘住。
- * 注意某些零件表面需在装配时同步贴水上贴纸。
- * 制作时应远离幼儿并将包装袋及时收妥, 谨防小孩玩耍而引起意外。



The method to apply the decals

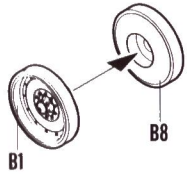
1. Cut off the decal from the decal paper and put it into the warm water 40°C for 10 seconds.
2. Take the decal from the water and put it on a piece of clean cloth.
3. Remove the decal slowly from the paper to the targeted location by a wet finger.
4. Use a piece of dry and soft cloth to press it gently on the decal until it getting dry and no bubble existing.

水贴纸的使用方法:

- 一. 把相关的印花从水贴纸上剪下, 放入40°C左右的温水中浸10秒。
- 二. 然后将印花放在干净的布上。
- 三. 拿上印花纸板, 手指蘸水将印花移到适当的位置。
- 四. 用软干布轻压印花直至水干, 气泡消失。

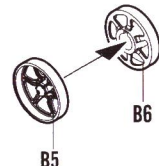
1
STEP

《负重轮》
Road wheel



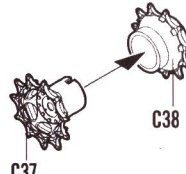
制作12组
Make twelve

《诱导轮》
Idler wheel

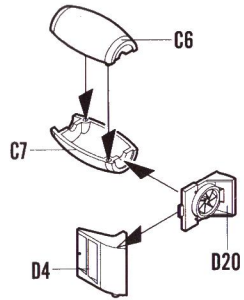


制作2组
Make two

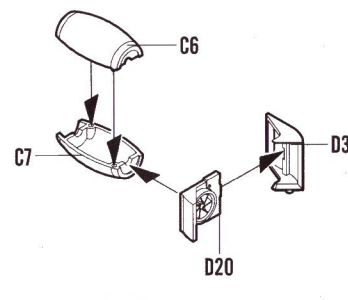
《主动轮》
Drive wheel



制作2组
Make two

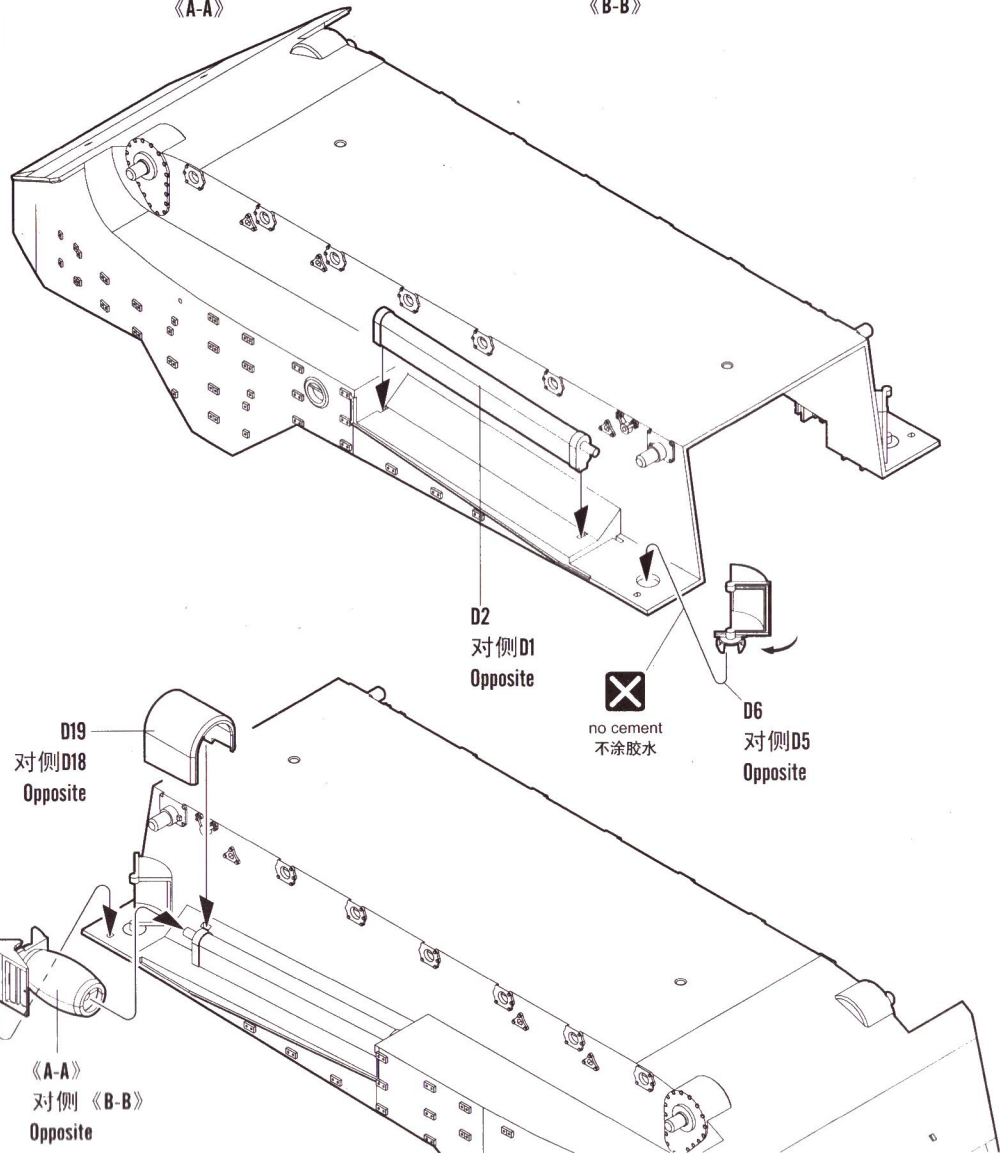


《A-A》



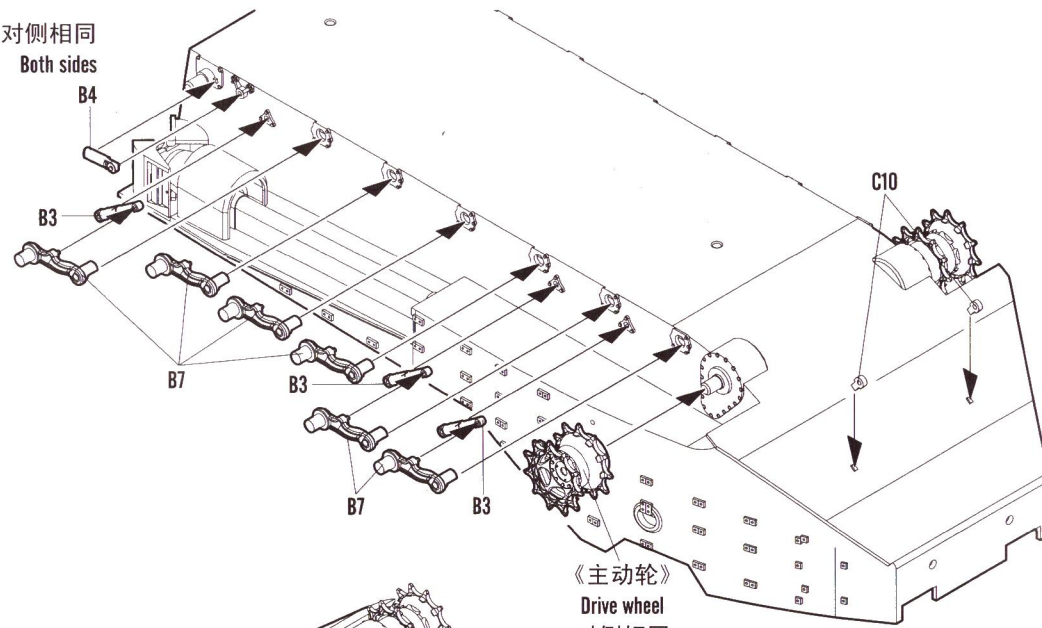
《B-B》

2
STEP

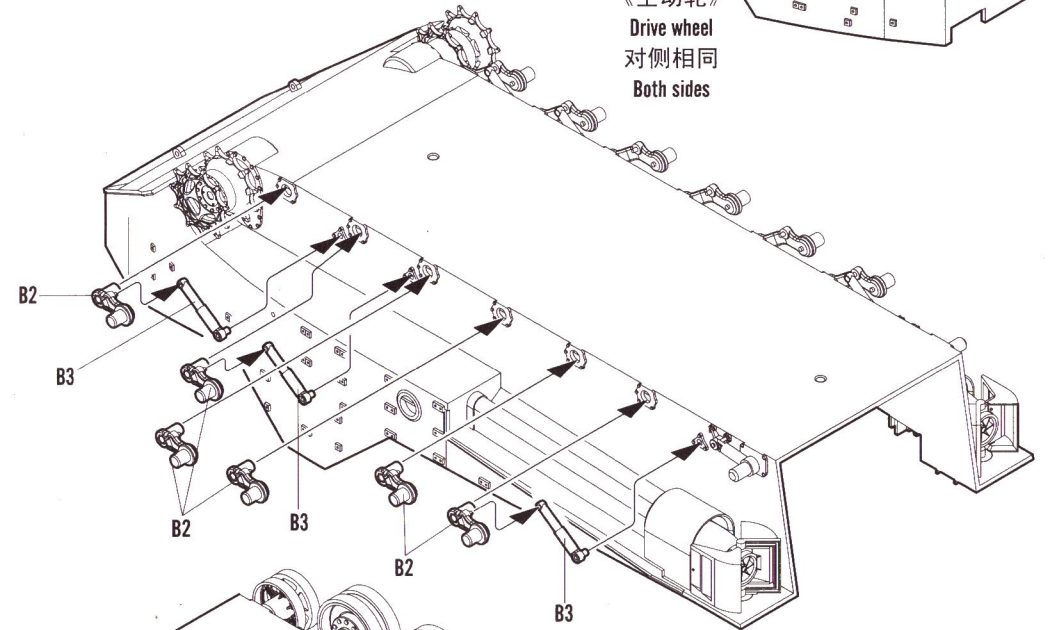


3
STEP

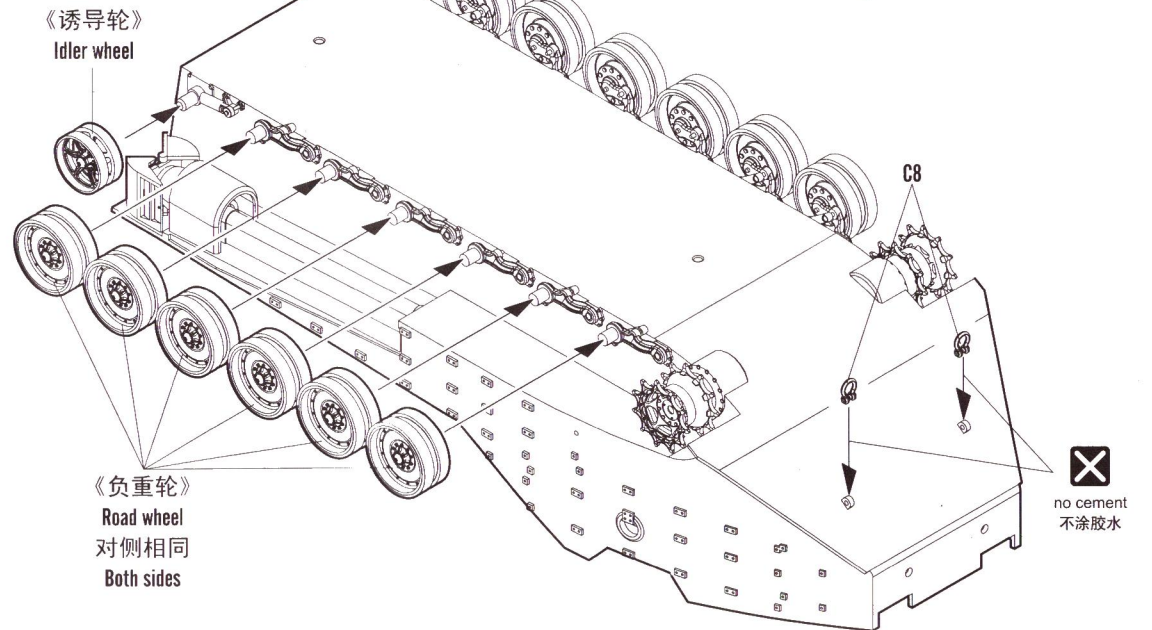
对侧相同
Both sides



《主动轮》
Drive wheel
对侧相同
Both sides



《诱导轮》
Idler wheel



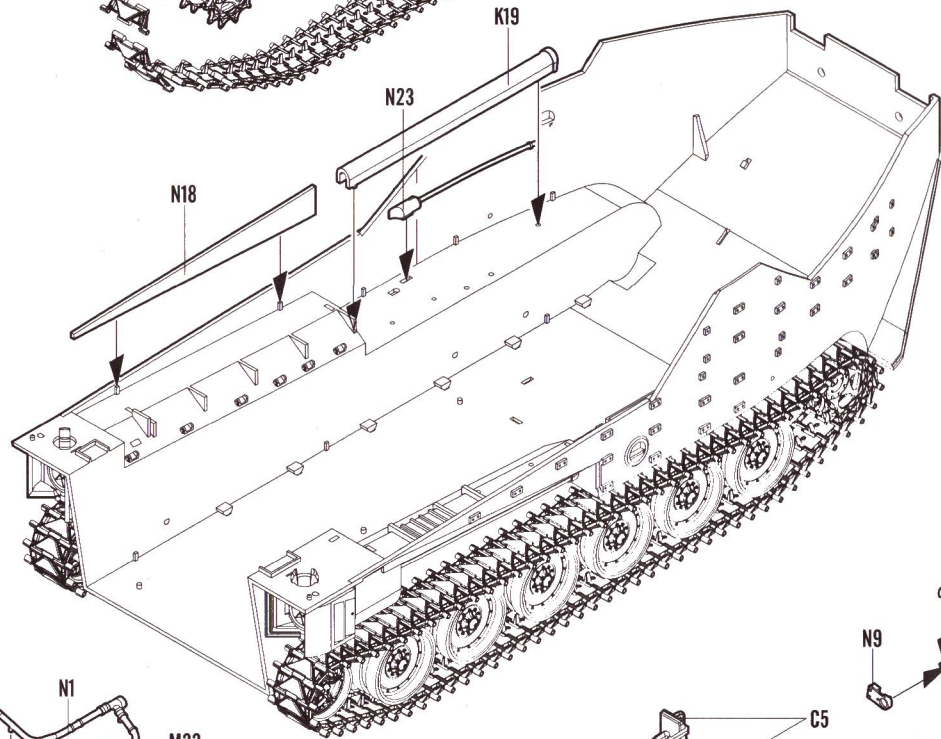
《负重轮》
Road wheel
对侧相同
Both sides

STEP 4



制作84组
Make eighty-four

制作2条
Make two



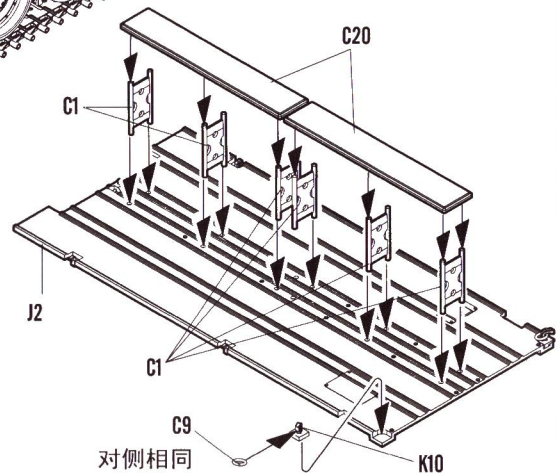
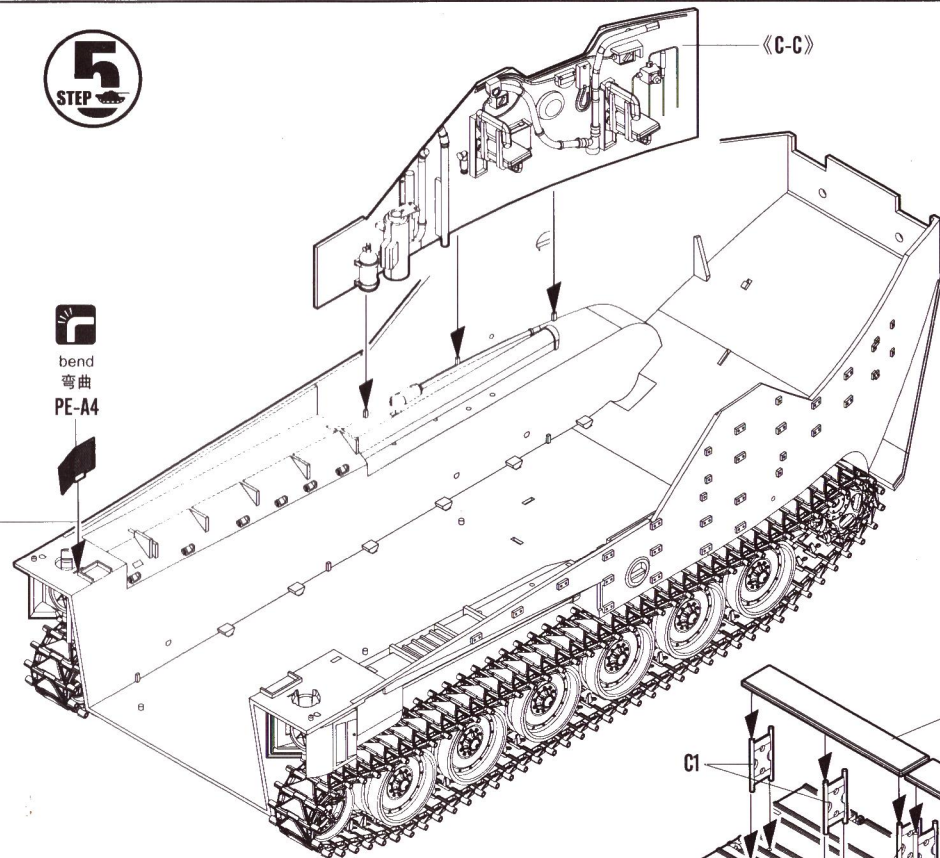
STEP 5



bend
弯曲
PE-A4

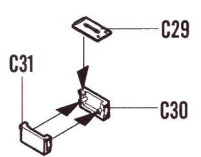


cyanoacrylate glue
强力胶

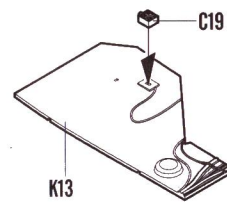


对侧相同
Both sides

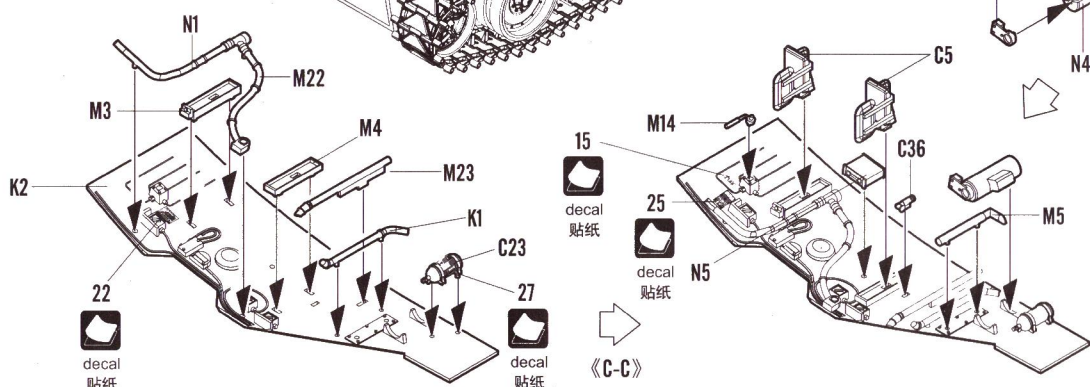
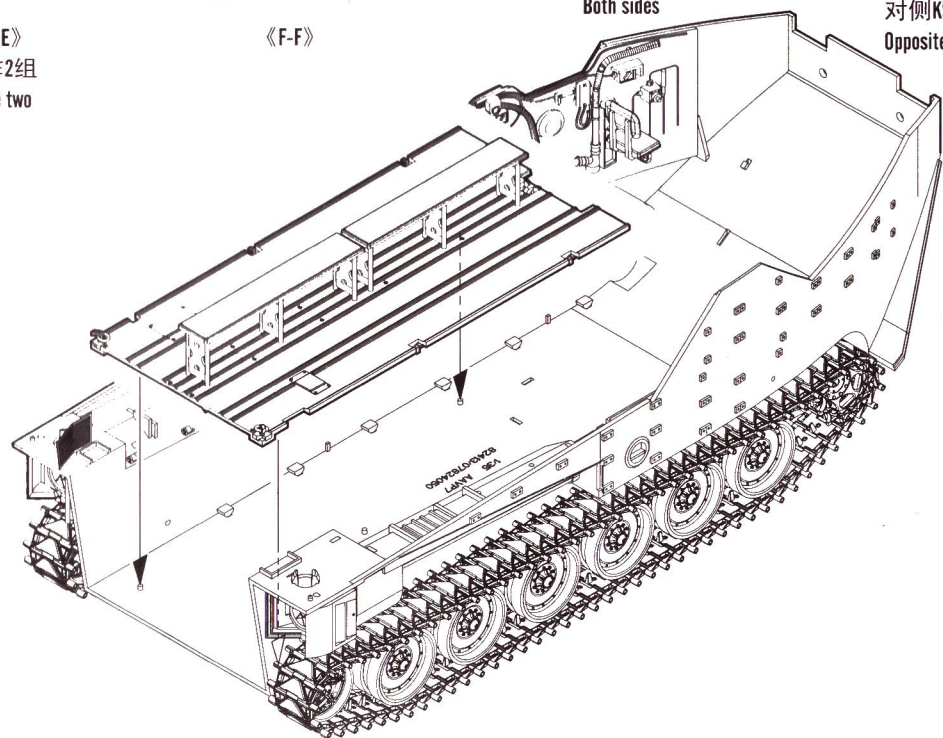
K10
对侧K9
Opposite



《E-E》
制作2组
Make two



《F-F》

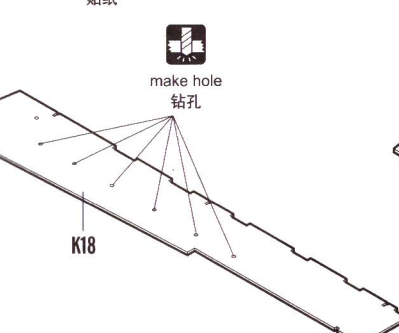
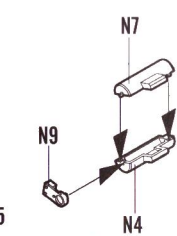


decal
贴纸

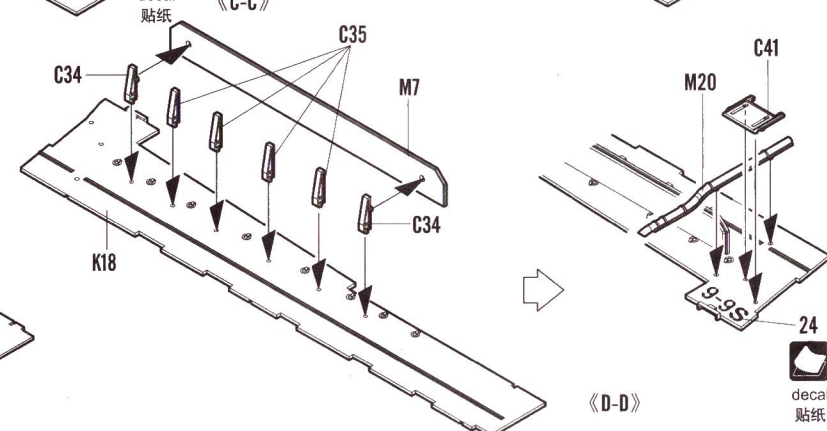


decal
贴纸

《C-C》



make hole
钻孔

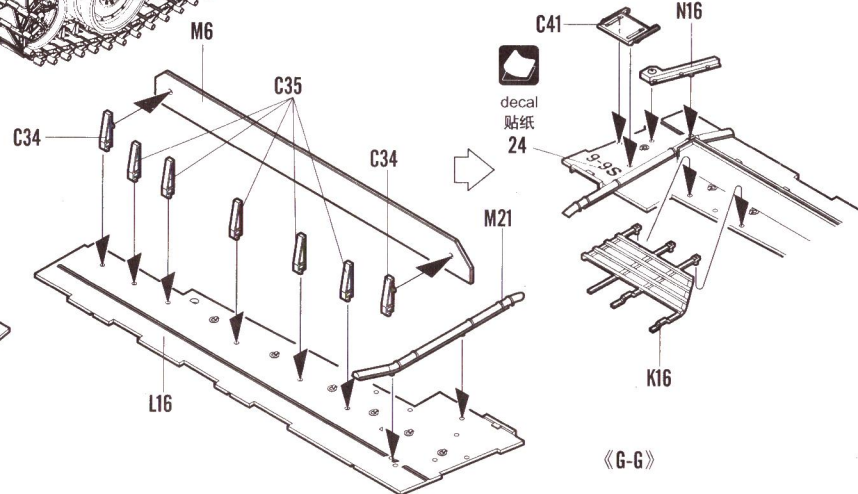
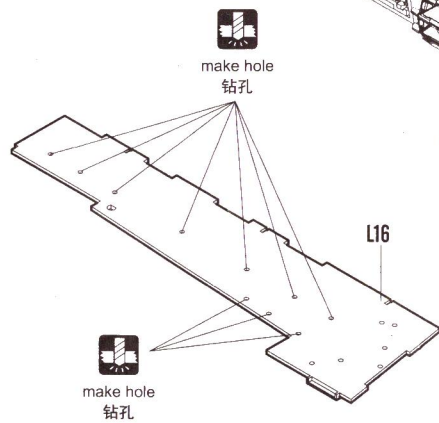
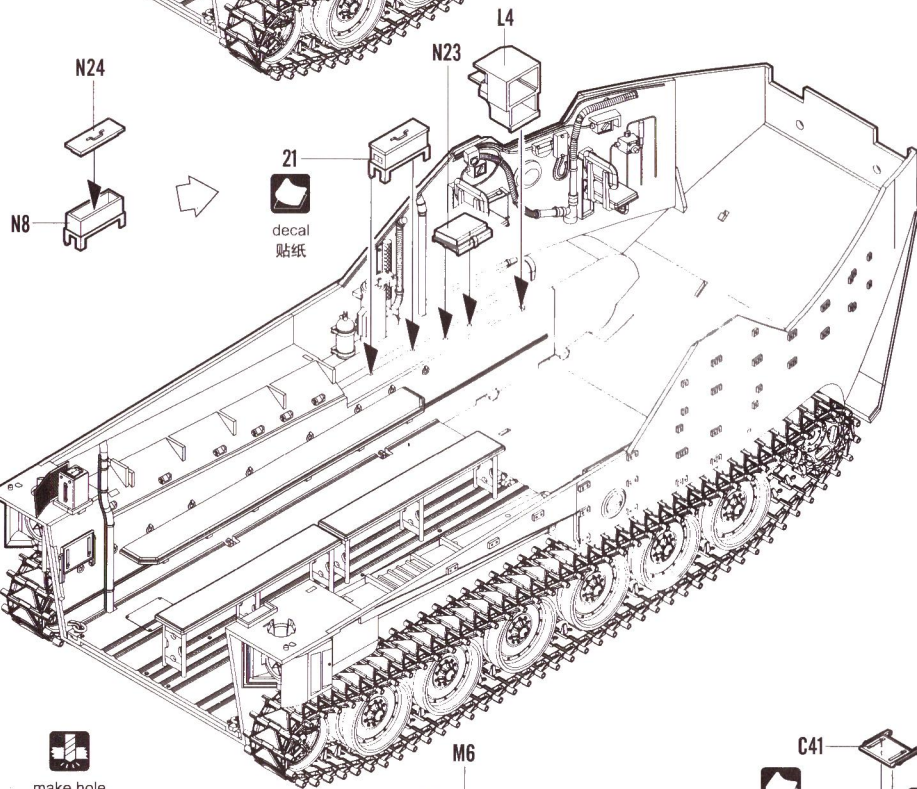
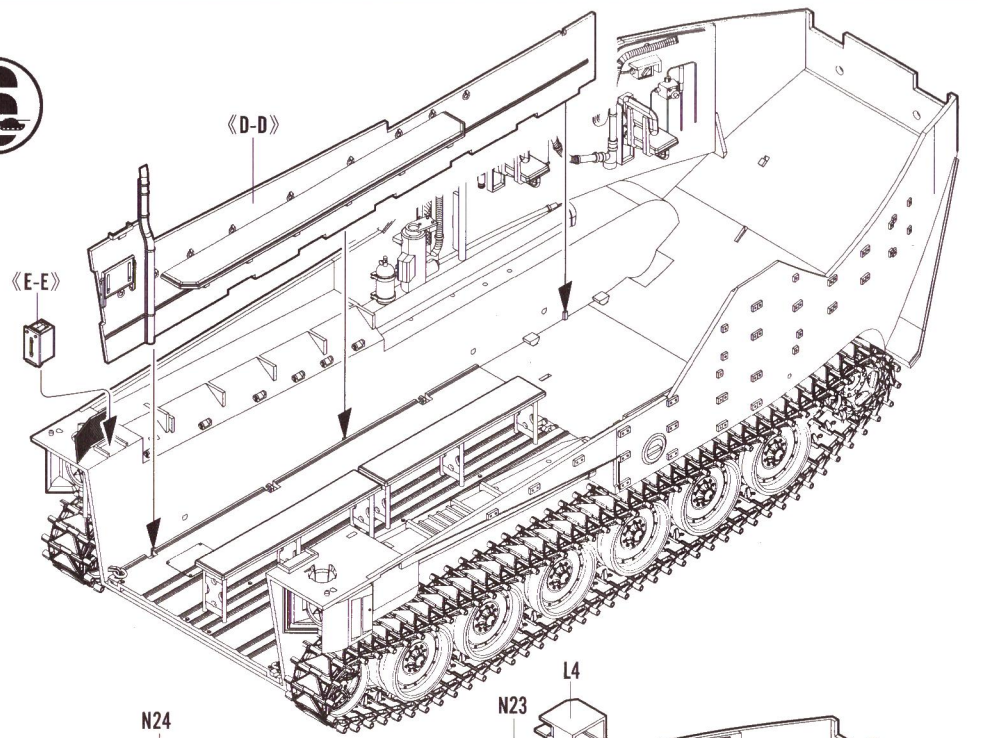


《D-D》

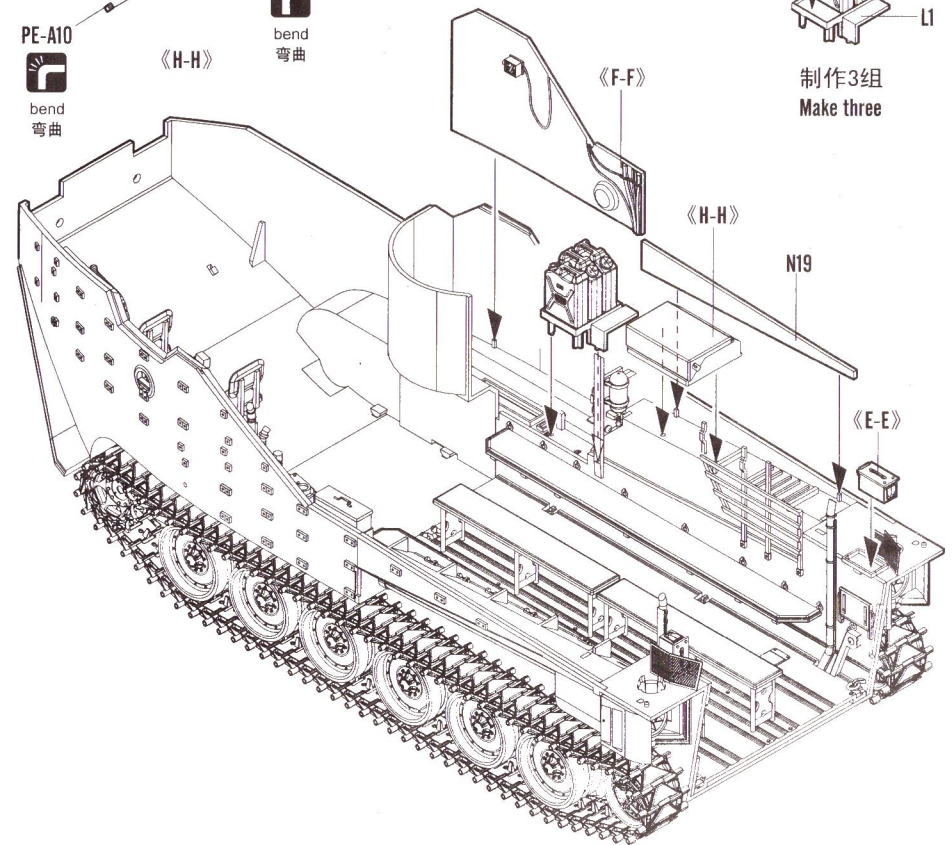
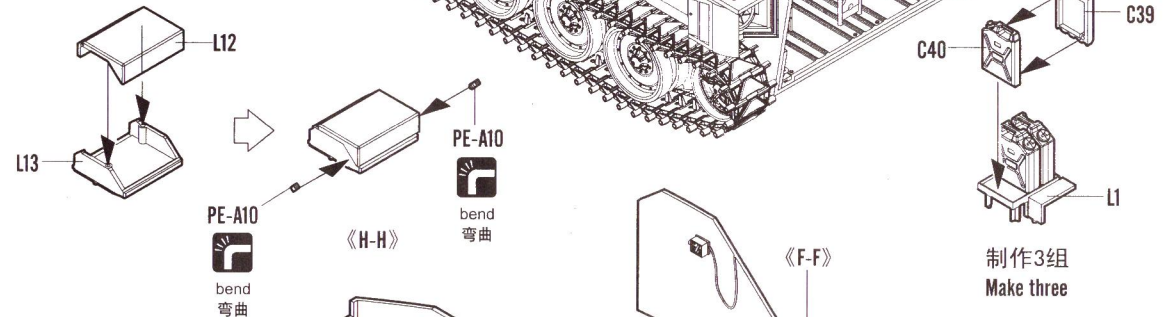
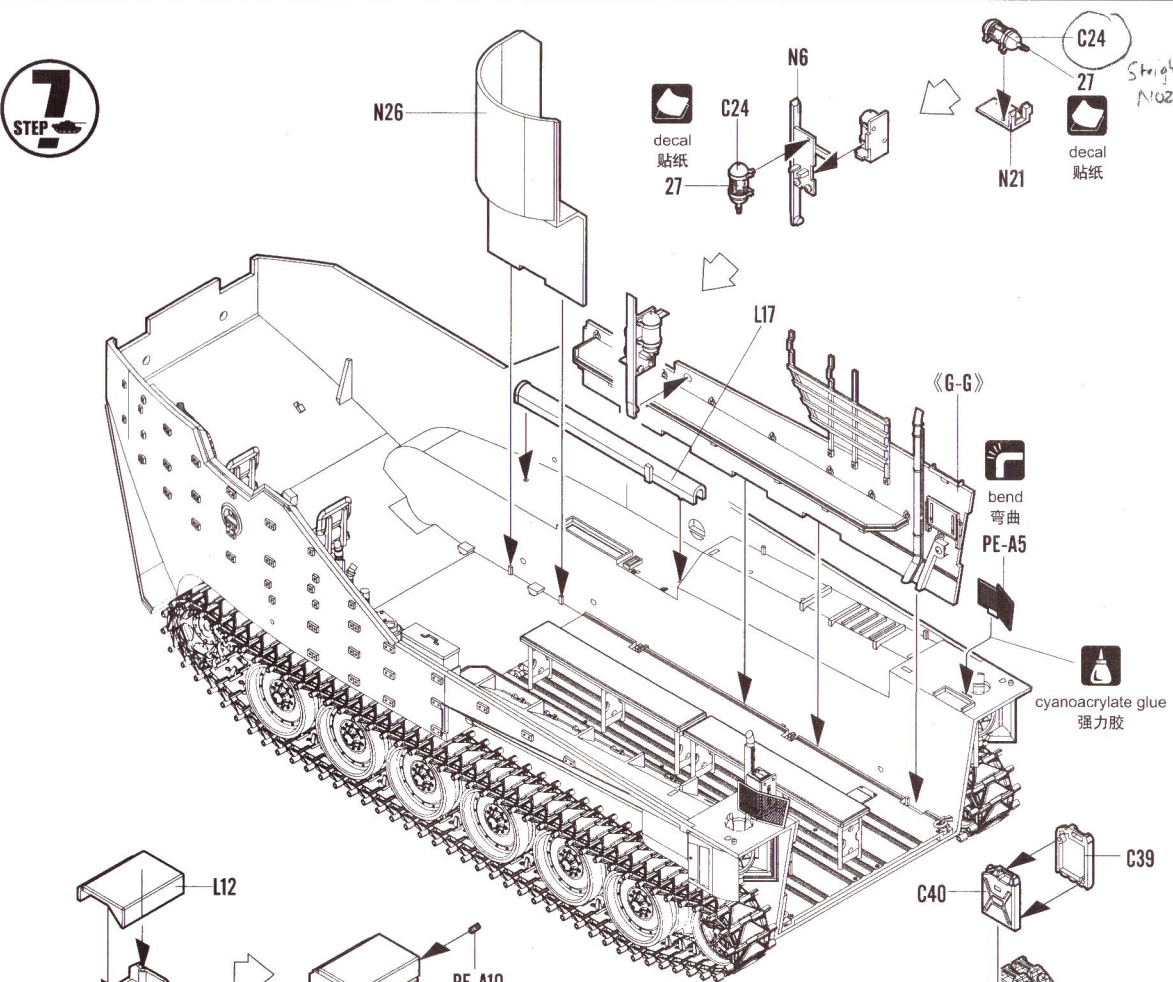


decal
贴纸

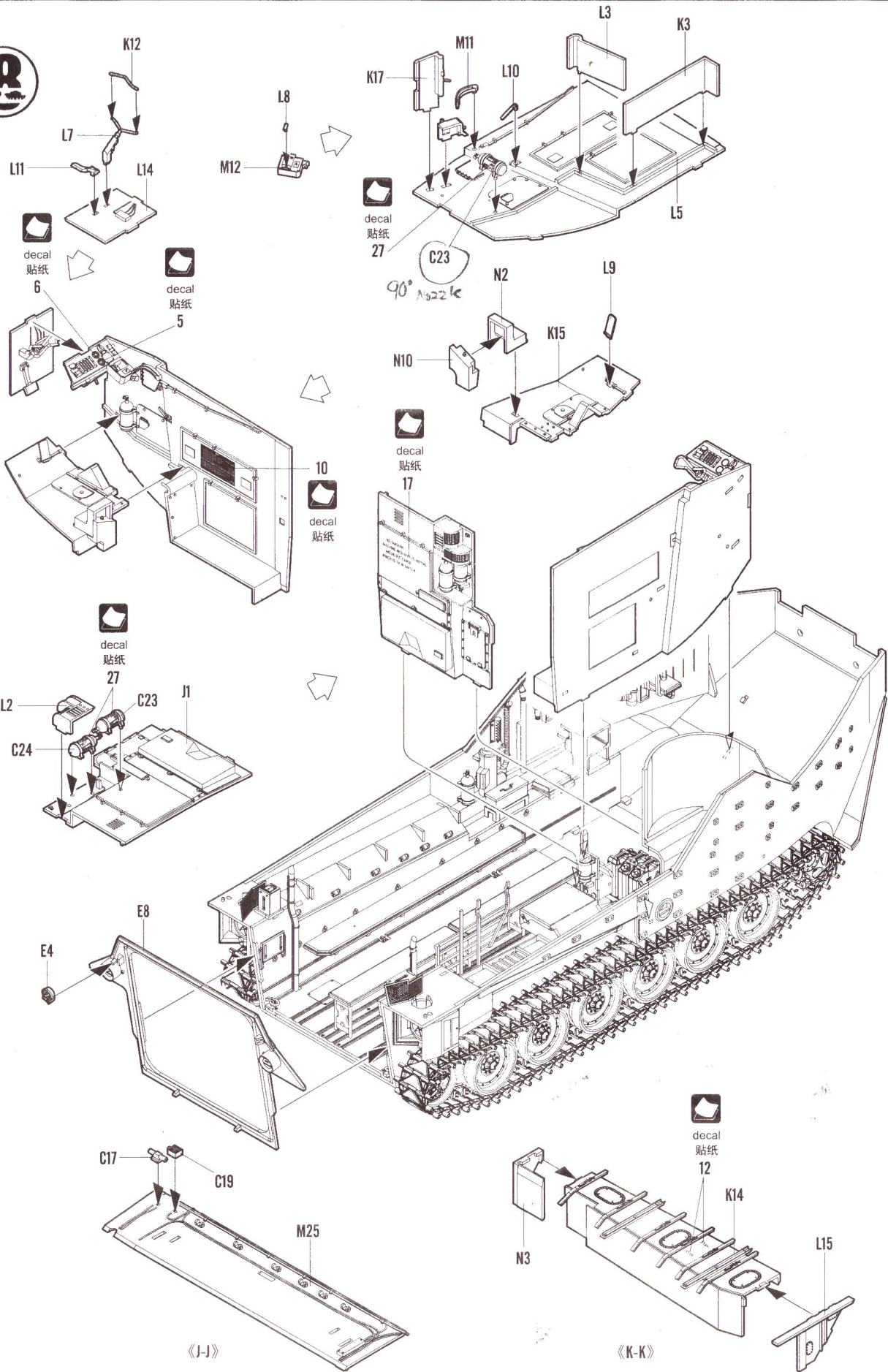
6
STEP



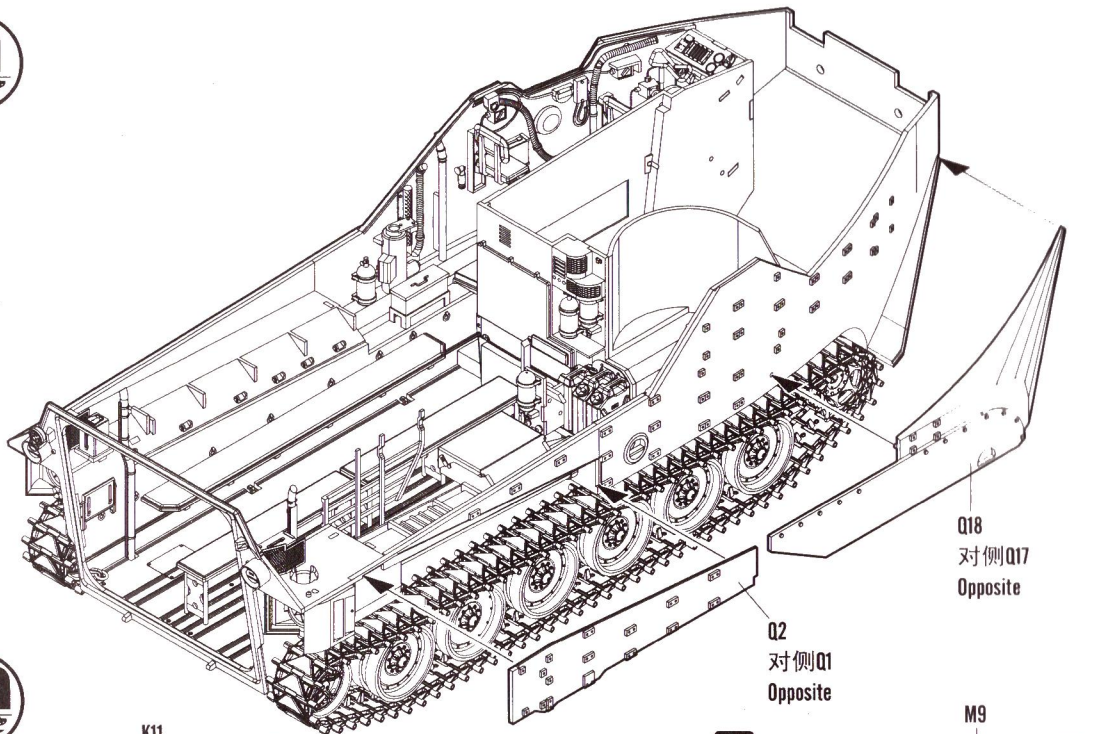
7
STEP



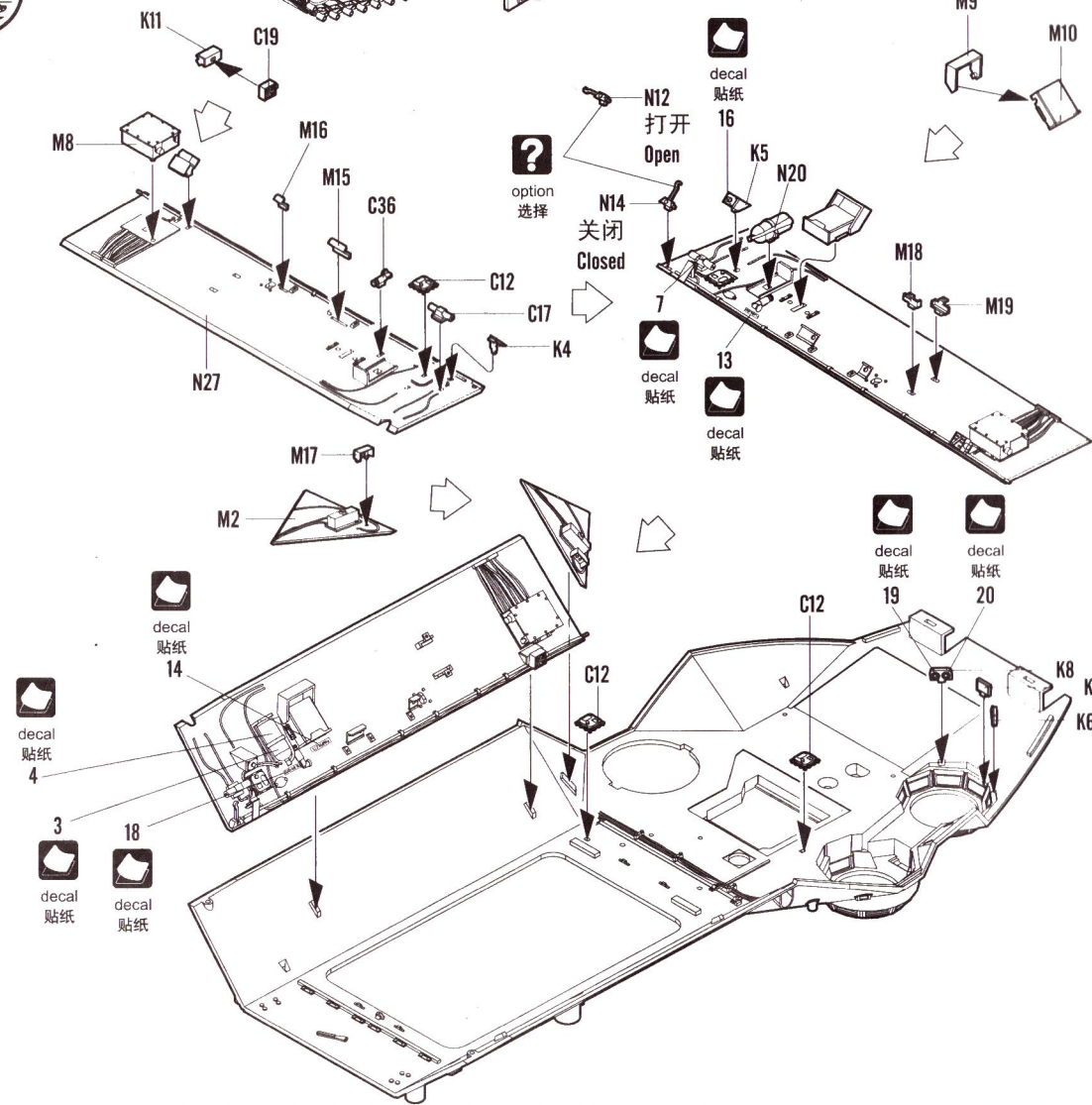
9
STEP



9
STEP

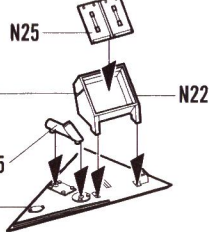


10
STEP



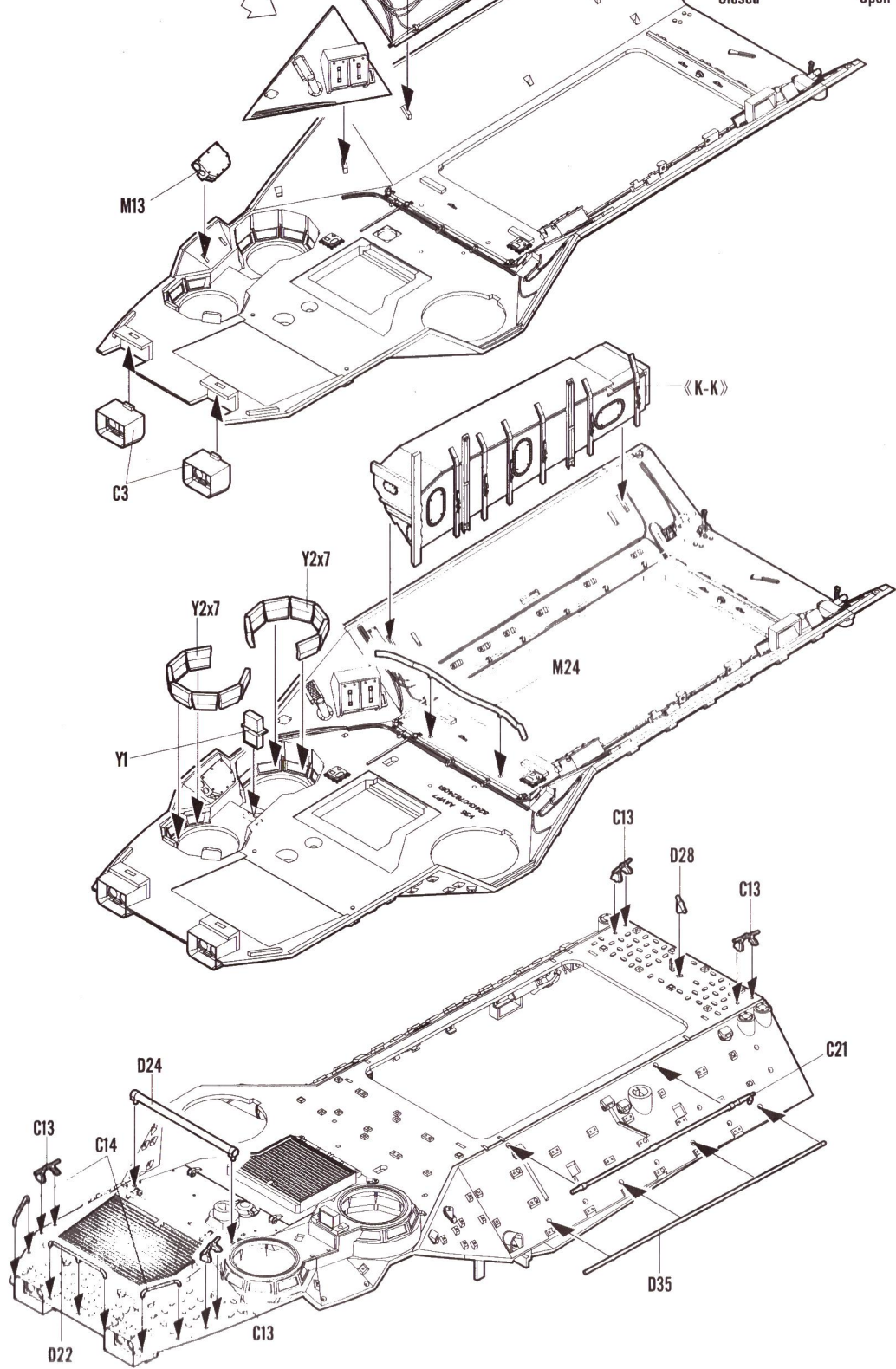
11
STEP

decal
贴纸
28



?
option
选择

N13
关闭
Closed
N11
打开
Open



12
STEP

bend
弯曲

P25

C22

Q13

Q5

C22

Q12

D8

PE-A8

C18

C22

Q13

Q5

C22

Q12

PE-A7
cyanoacrylate glue
强力胶

bend
弯曲

C18

C22

Q13

Q5

C22

Q12

C16

C18

C22

Q13

Q5

C22

Q12

X
no cement
不涂胶水

C15

C32

C32

C32

C32

X
no cement
不涂胶水

C32

Q6

C32

C32

C32

C32

cyanoacrylate glue
强力胶

PE-A12

C16

C16

D11

D15

C43

Q9

D7

D11

C16

D11

D15

C43

Q9

X
no cement
不涂胶水

C32

C32

C32

C32

C32

X
no cement
不涂胶水

PE-A6

PE-A6

PE-A6

PE-A6

PE-A6

PE-A6

PE-A6
bend
弯曲

PE-A6

PE-A6

PE-A6

PE-A6

PE-A6

PE-A6

cyanoacrylate glue
强力胶

PE-A9

PE-A9

PE-A9

PE-A9

PE-A9

PE-A9

PE-A9

PE-A11
cyanoacrylate glue
强力胶

PE-A11

PE-A11

PE-A11

PE-A11

PE-A11

PE-A9

PE-A9

PE-A9

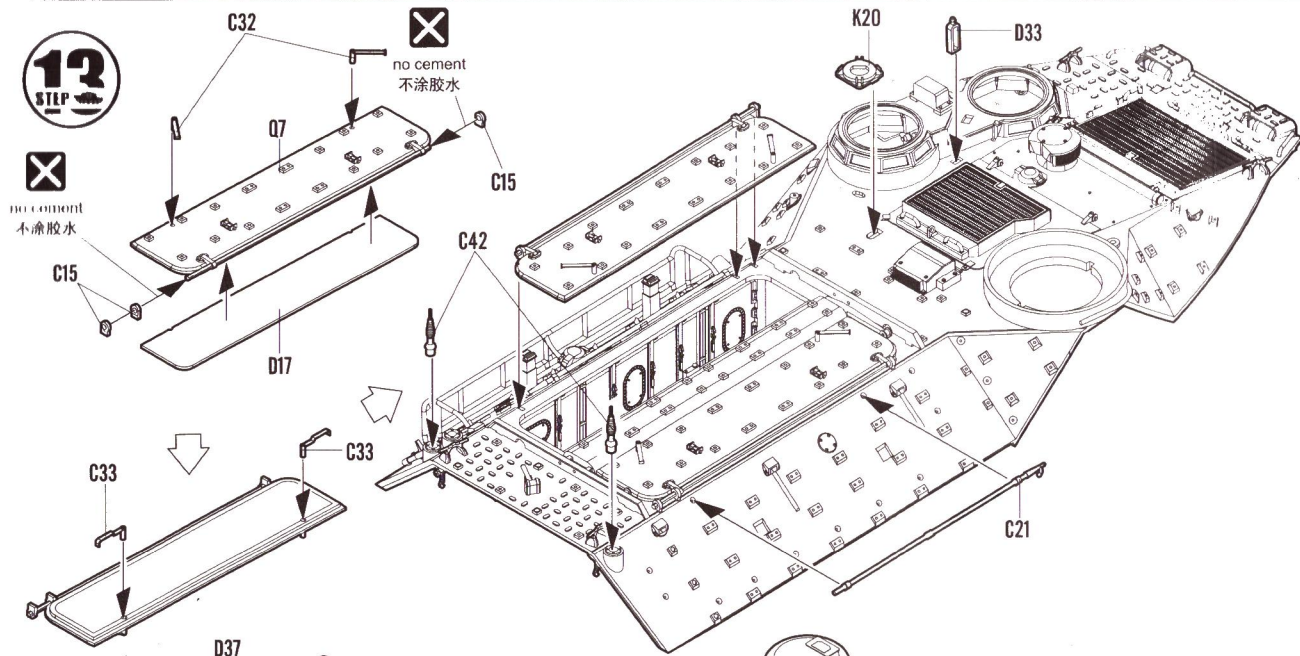
PE-A9

PE-A9

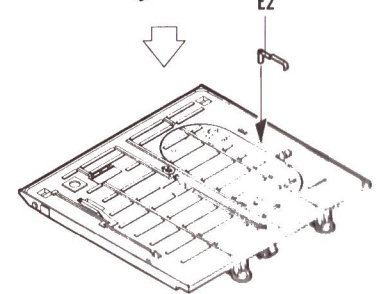
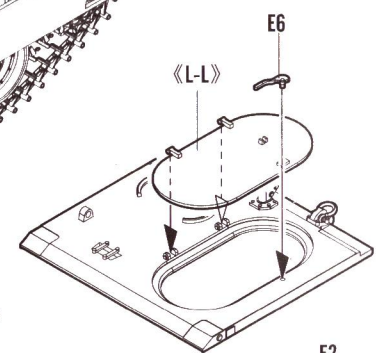
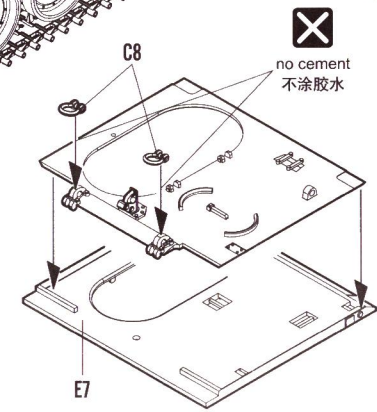
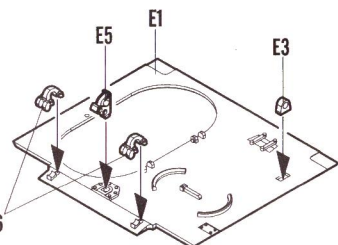
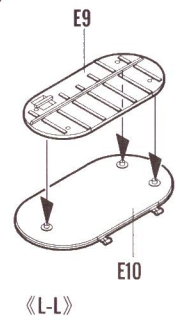
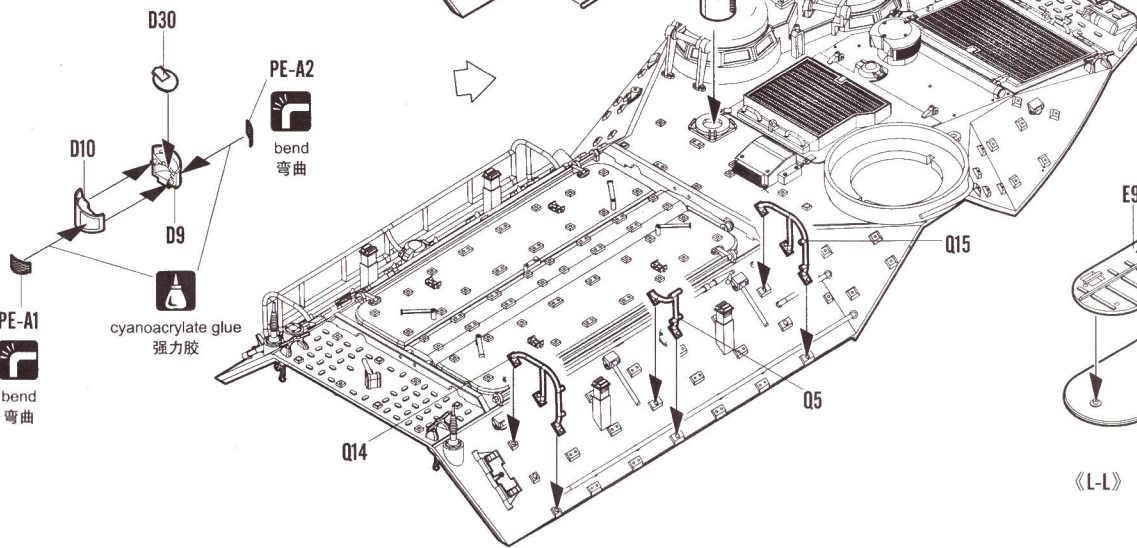
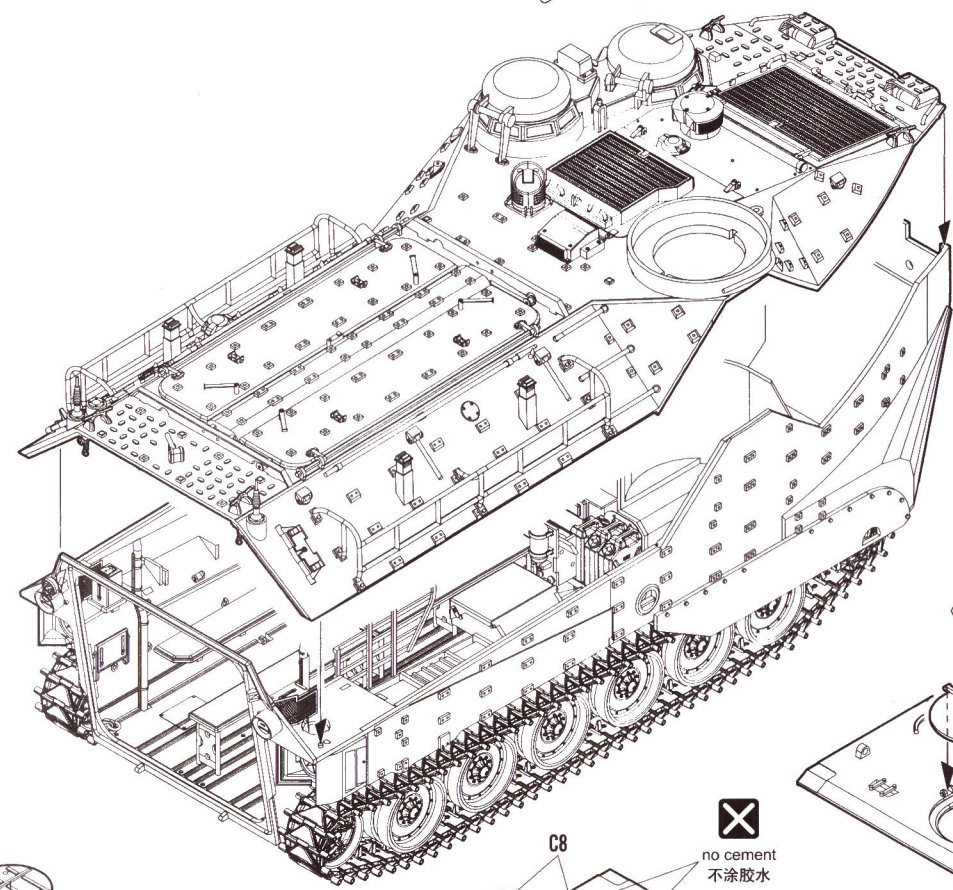
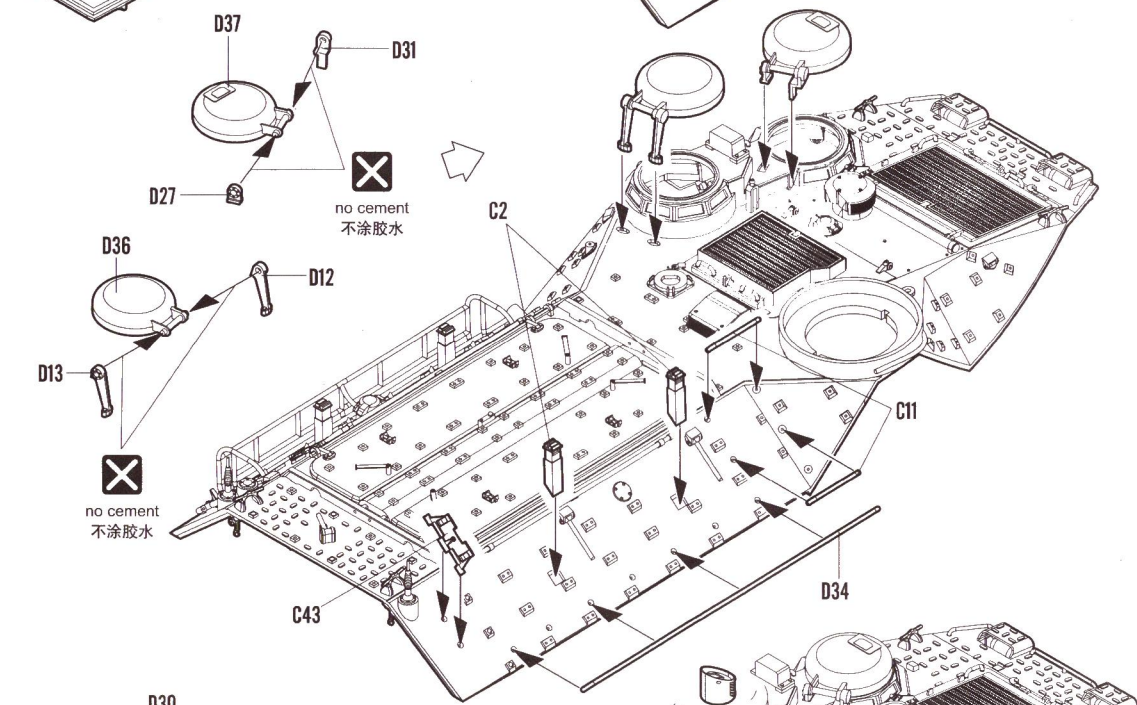
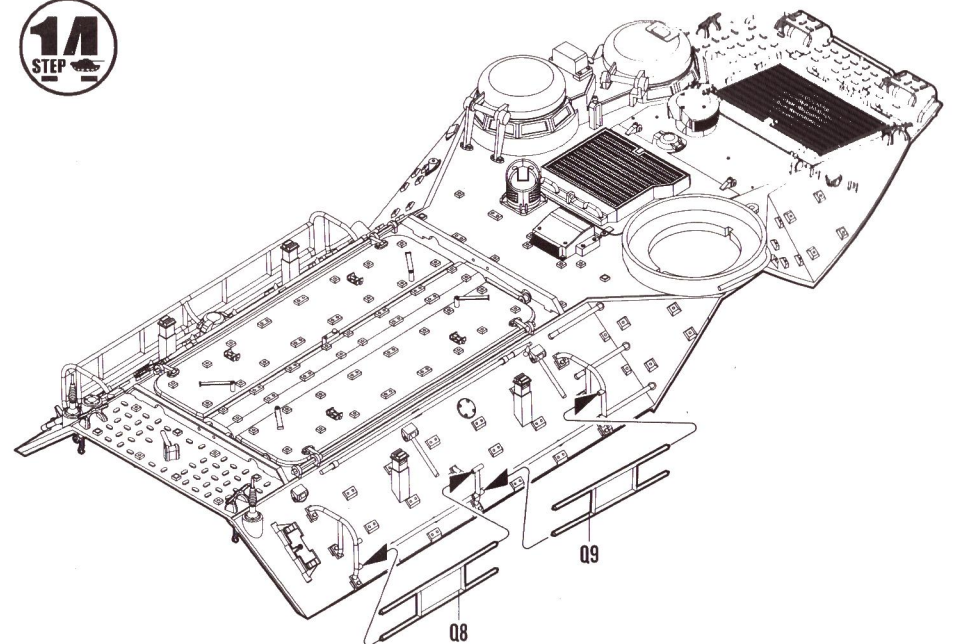
PE-A9

D29

13
STEP



14
STEP



PE-A1
bend
弯曲

cyanoacrylate glue
强力胶

PE-A2
bend
弯曲

no cement
不涂胶水

no cement
不涂胶水

no cement
不涂胶水

no cement
不涂胶水

no cement
不涂胶水

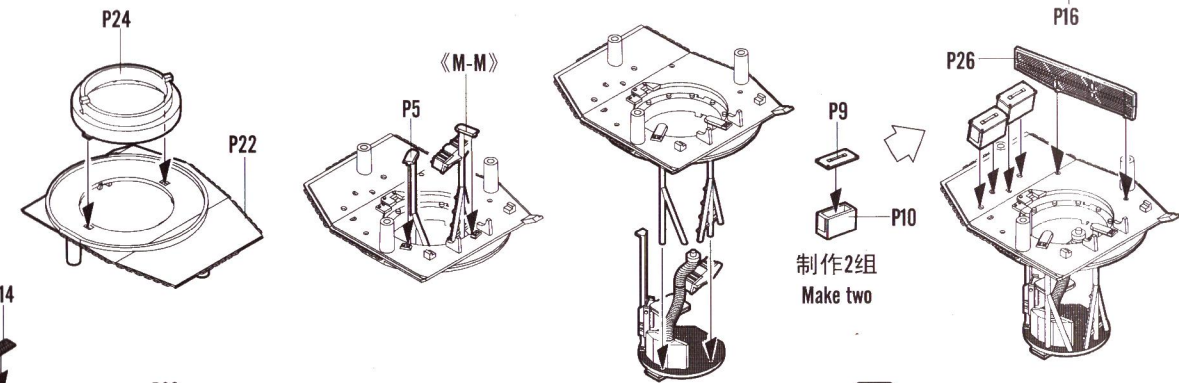
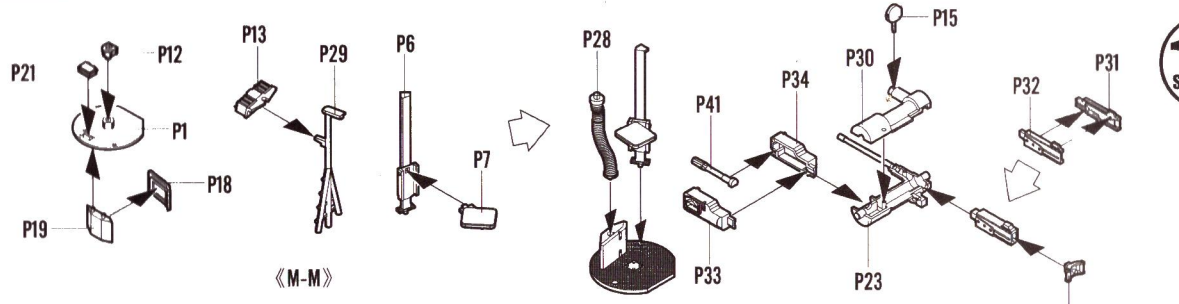
no cement
不涂胶水

<L-L>

<L-L>

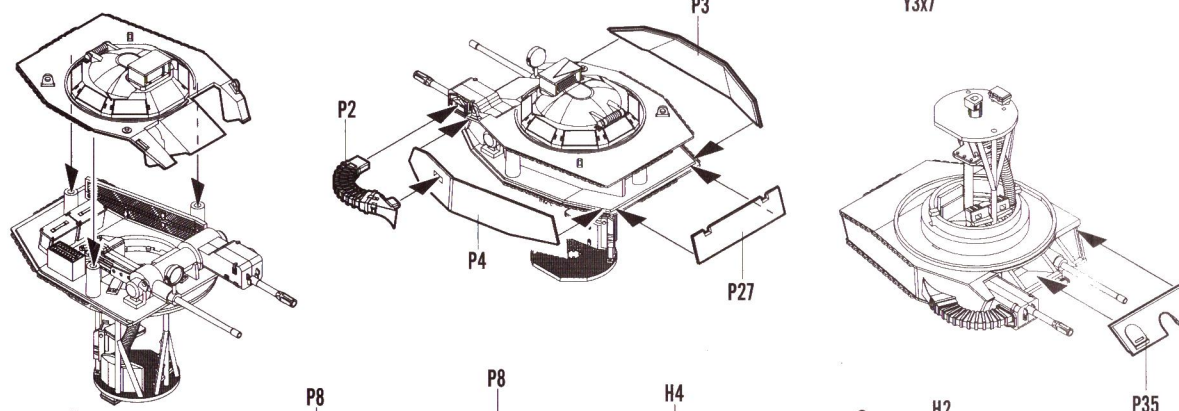
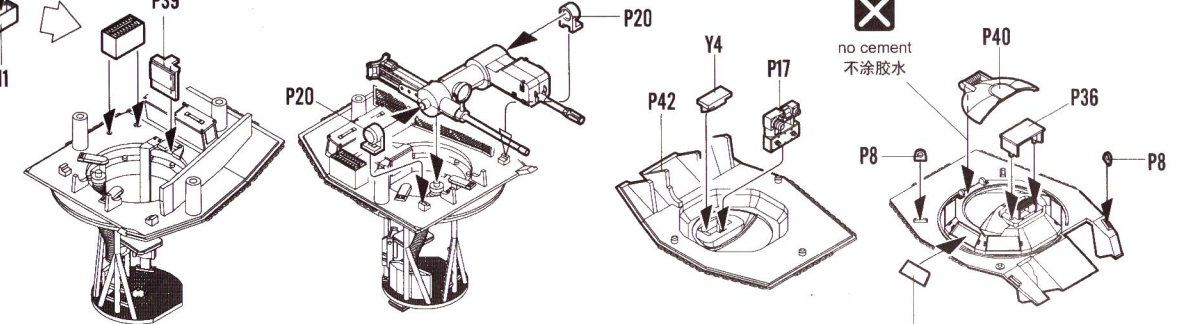
15
STEP

16
STEP

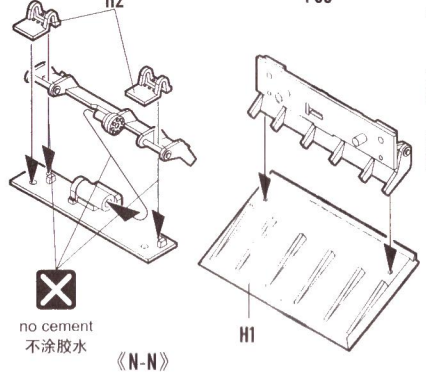


制作2组
Make two

no cement
不涂胶水

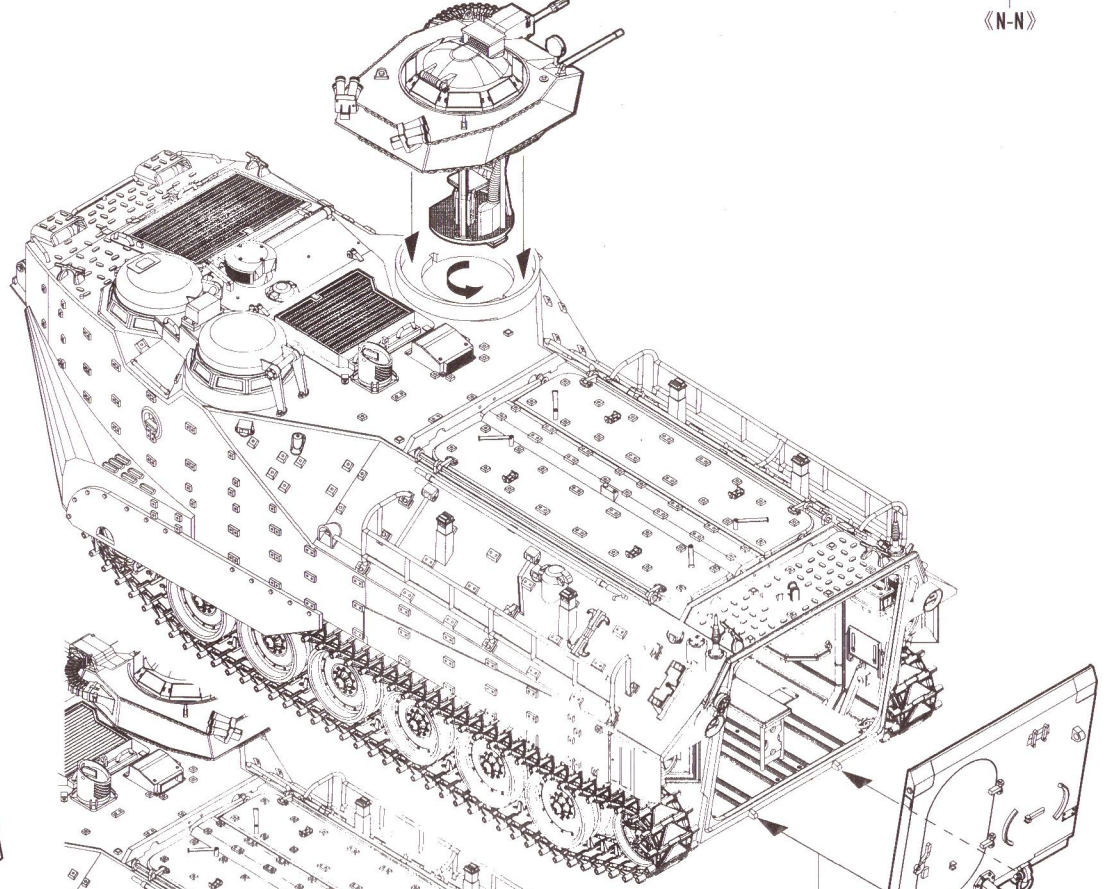
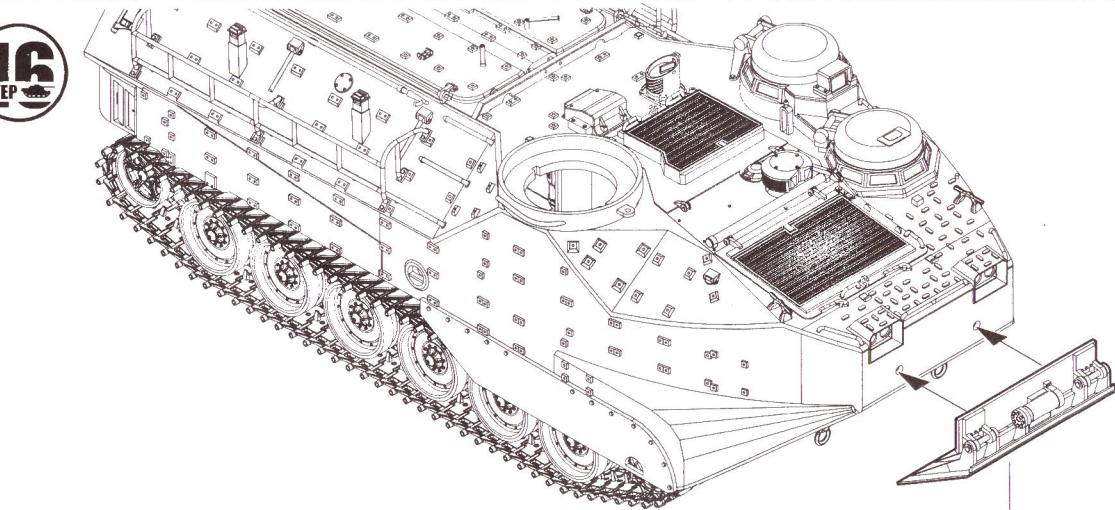


cyanocrlylate glue
强力胶
 PE-A3
band
弯曲
 cyanocrlylate glue
强力胶
 PE-A3
band
弯曲



no cement
不涂胶水

《N-N》



no cement
不涂胶水

? 打开或关闭
option
选择 Open or Closed

棉绳 $\varnothing 0.8 \times 27\text{mm}$
Rope

