



RUSSIAN MAIN BATTLE TANK

T-80U

ASSEMBLY ICONS



OPTIONAL
选择



CEMENT
膠水



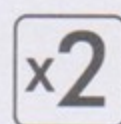
DO NOT CEMENT
不使用膠水



INSTANT CEMENT
瞬間接著劑



BEND
彎折



MAKE 2
製作2組



OPEN HOLE
鑽孔



REMOVE
切除



BE CAREFUL
注意



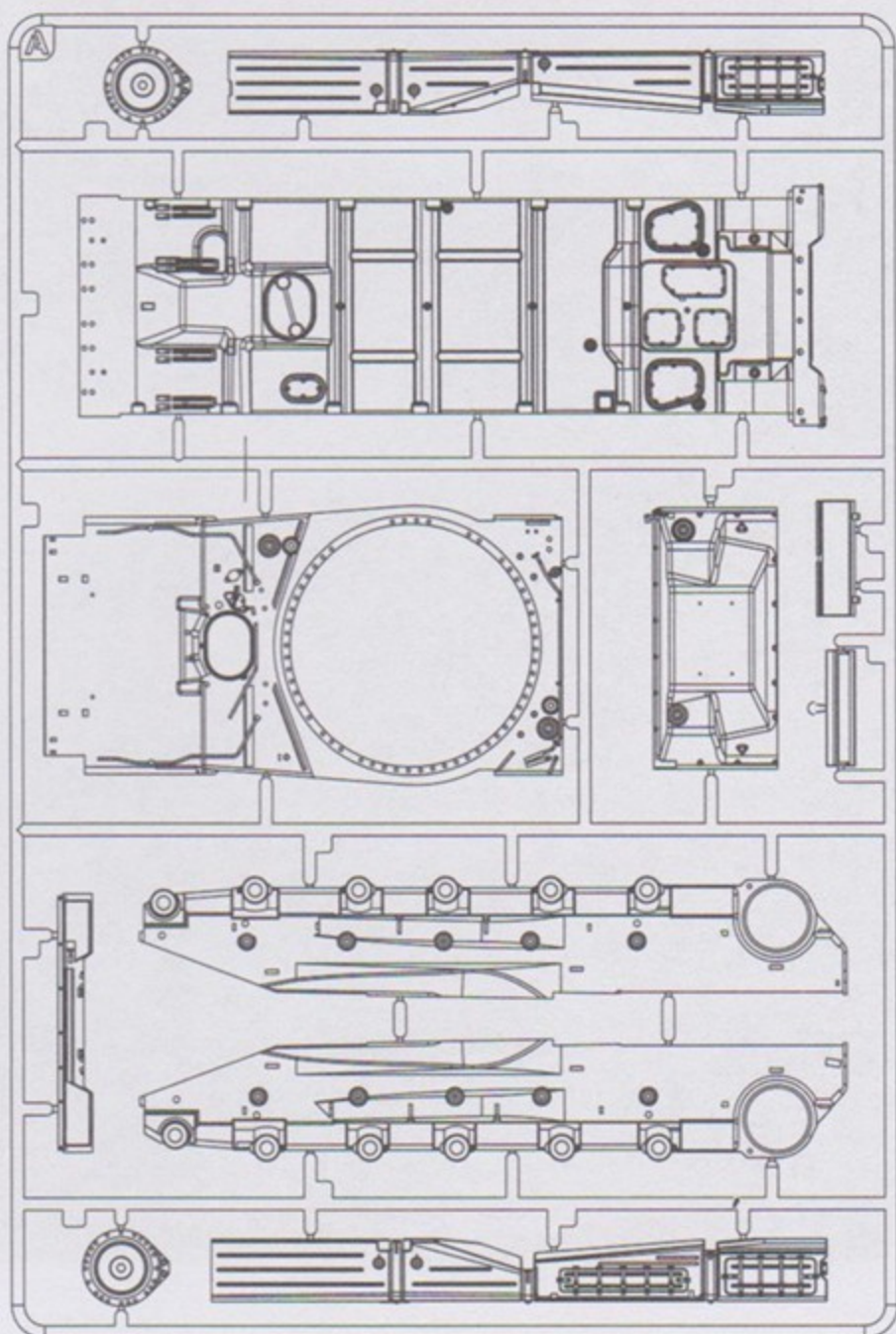
APPLY DECAL
貼上水貼紙

CAUTION!

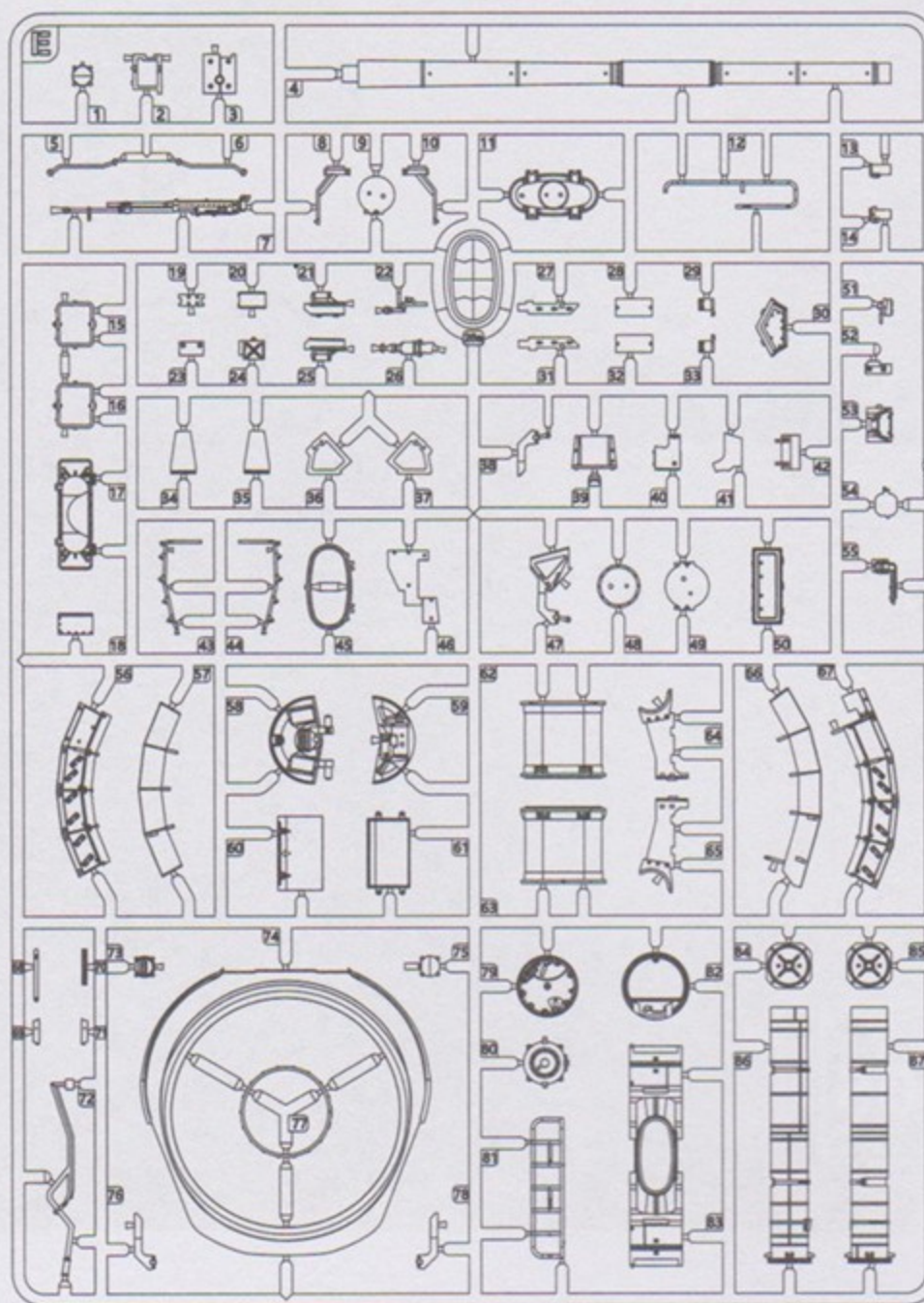
Read carefully and fully understand the instructions before commencing assembly.
Supervising adult should also read the instructions if a child assembles the model.
When you used glue or paint, do not use near a naked flame, and use in a well-ventilated room.
When assembling this kit, tools including knives are used. Extra care should be taken to avoid personal injury.
Read and follow the instructions supplied with paints and/ or cement. Use plastic cement and paints only.
Keep out of reach of small children. Children must not be allowed to suck any part, or pull vinyl bag over the head.

在裝配前仔細閱讀說明並完全理解。小孩裝配時需成人看護且需仔細閱讀說明。
使用膠水和油漆時，應遠離火源並打開窗戶保持空氣流通。
製作時請格外注意工具刀和零件的鋒利尖銳部分，避免對身體造成傷害。
在使用膠水和油漆前仔細閱讀注意事項，按照說明正確使用膠水和油漆。
請將本品放在兒童接觸不到的地方，套件中的塑膠包裝袋會對兒童造成窒息的危險。

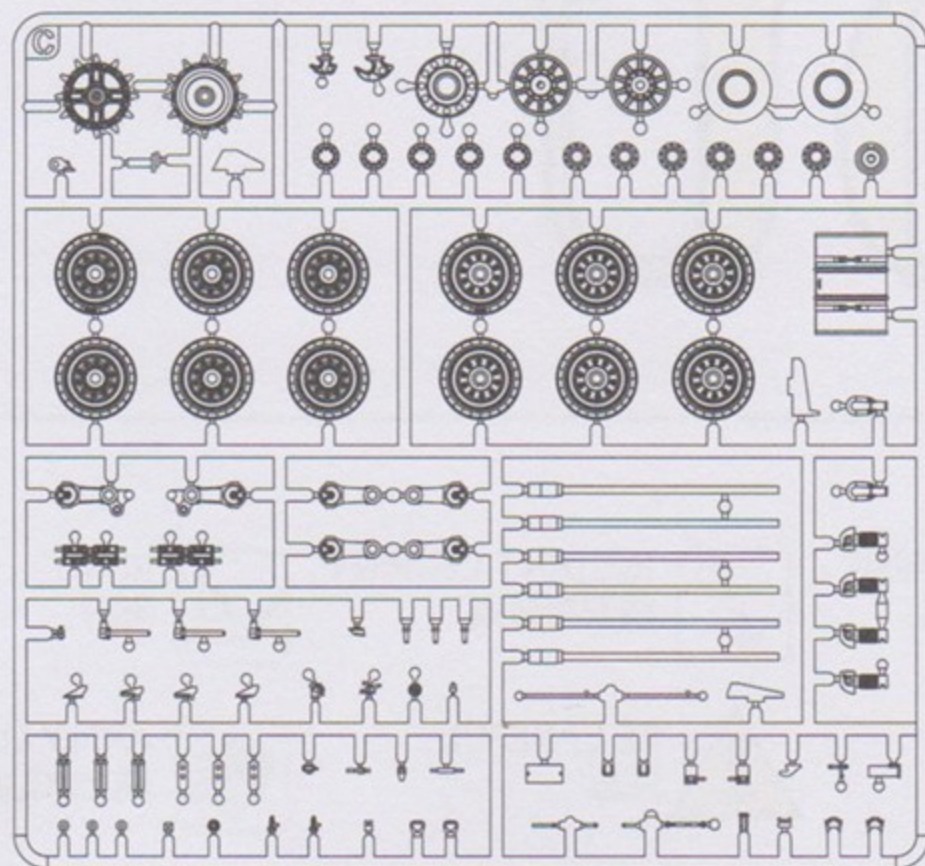
Ax1



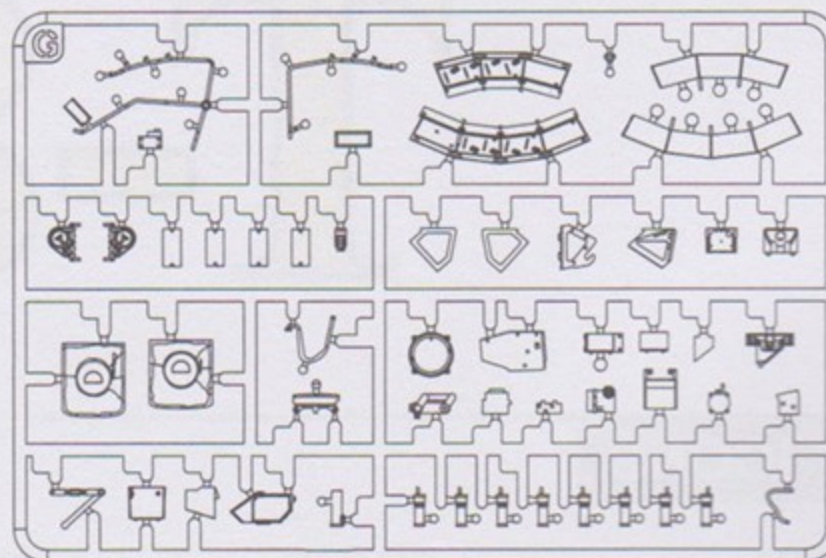
Ex1



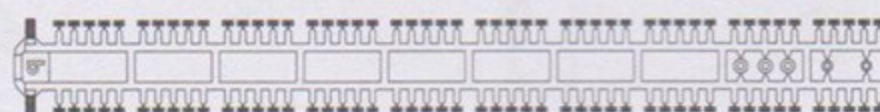
Cx2



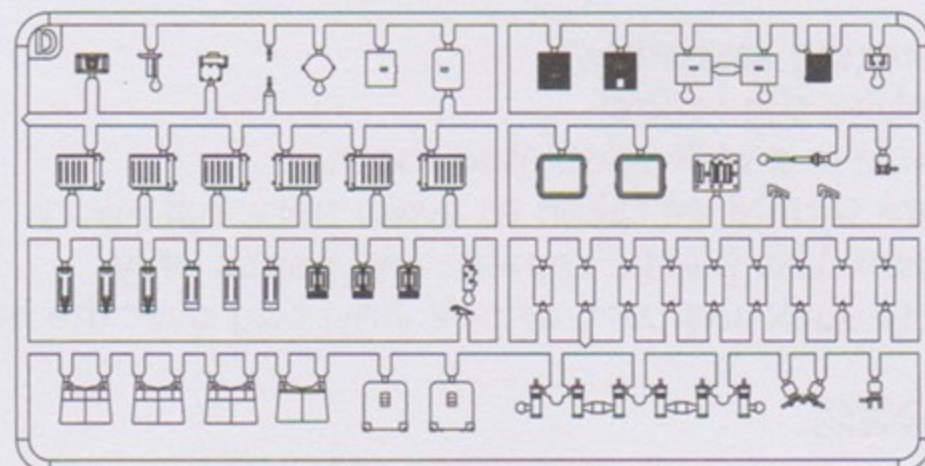
Gx1



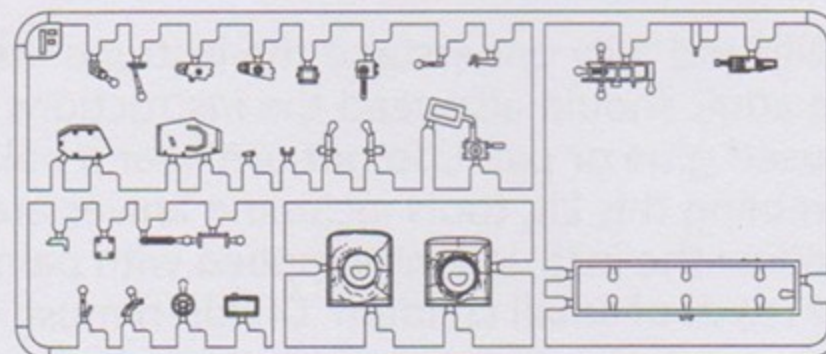
Px4



Dx2

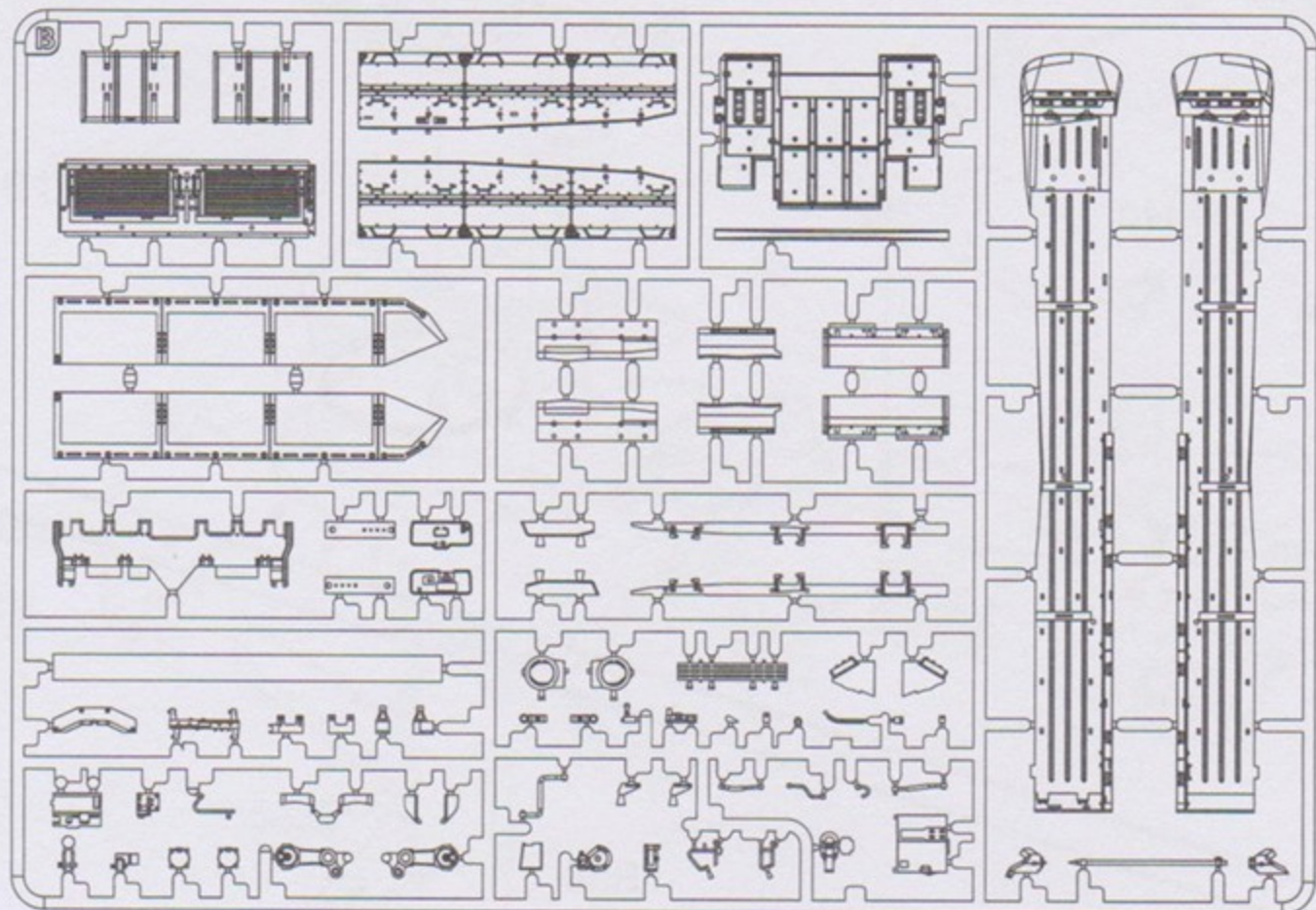


Fx1



PARTS 部品图

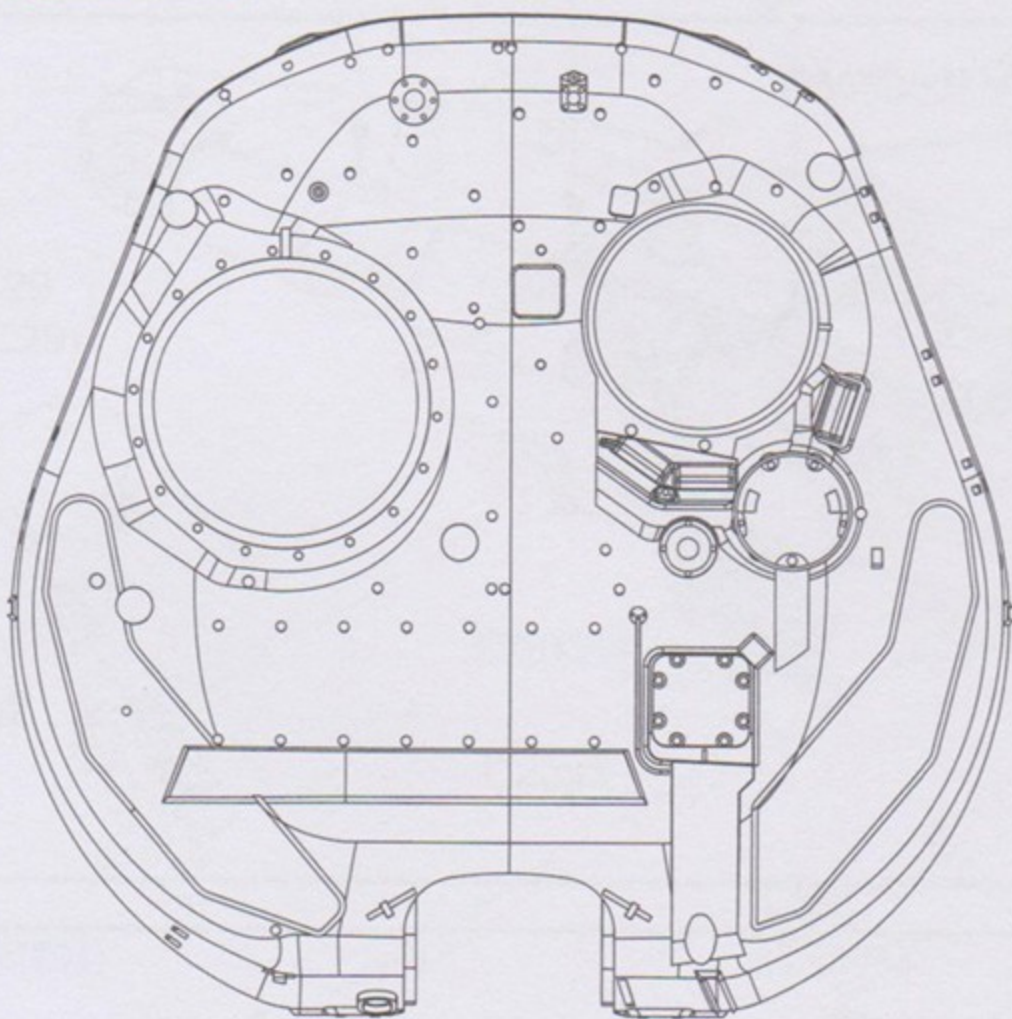
B x 1



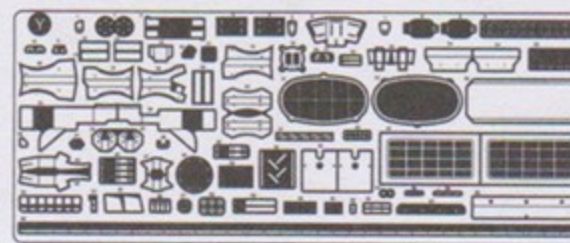
H x 2



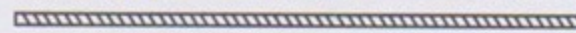
Lower Hull



Y x 1



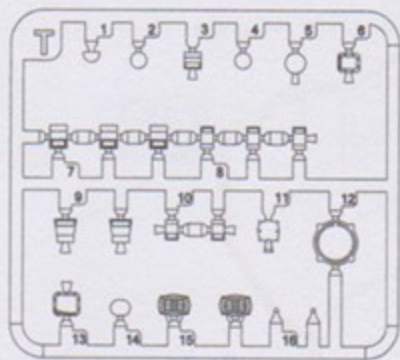
Metal Cable 1 200mm



Corrugated hose 130mm

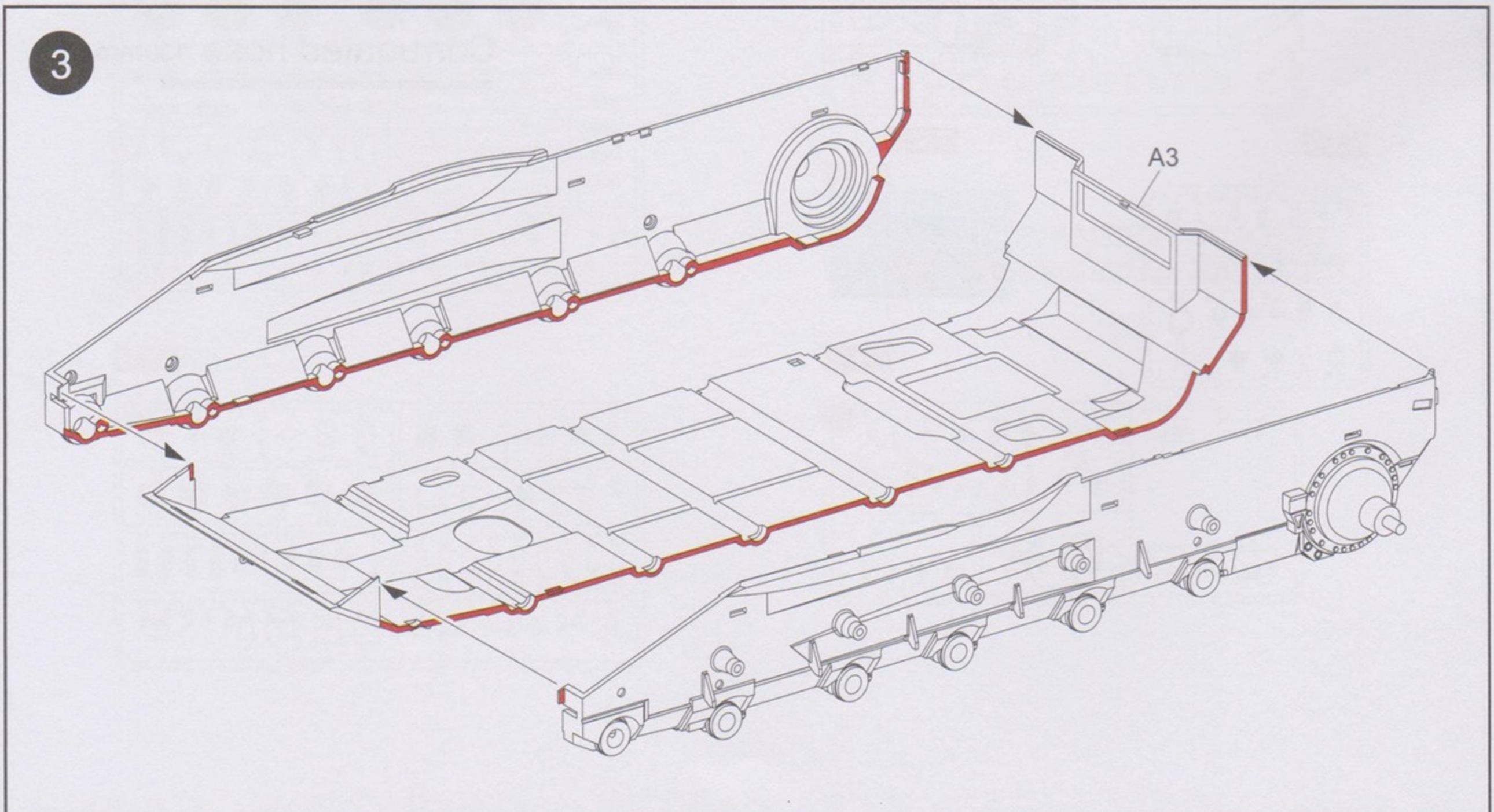
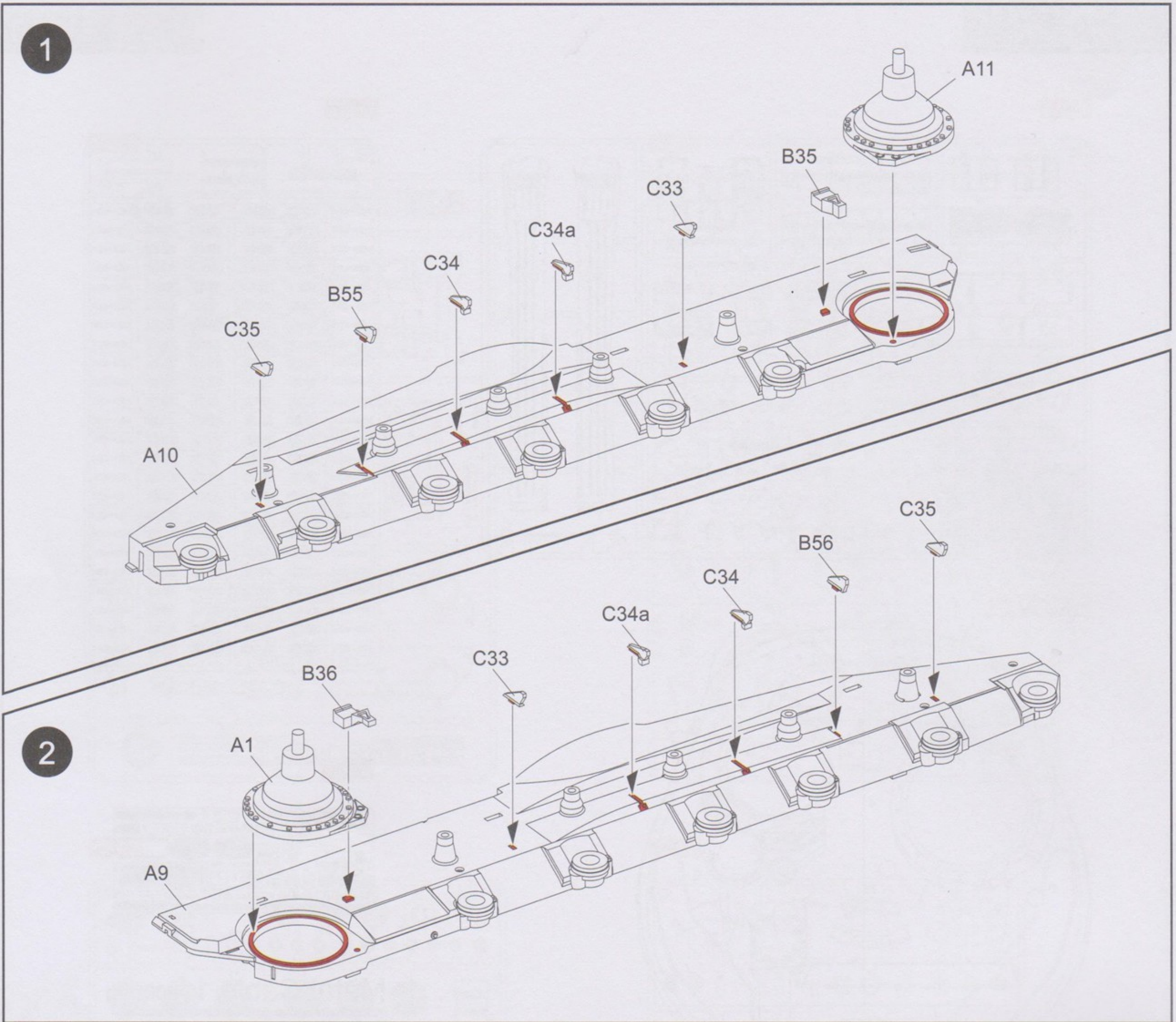


T x 1

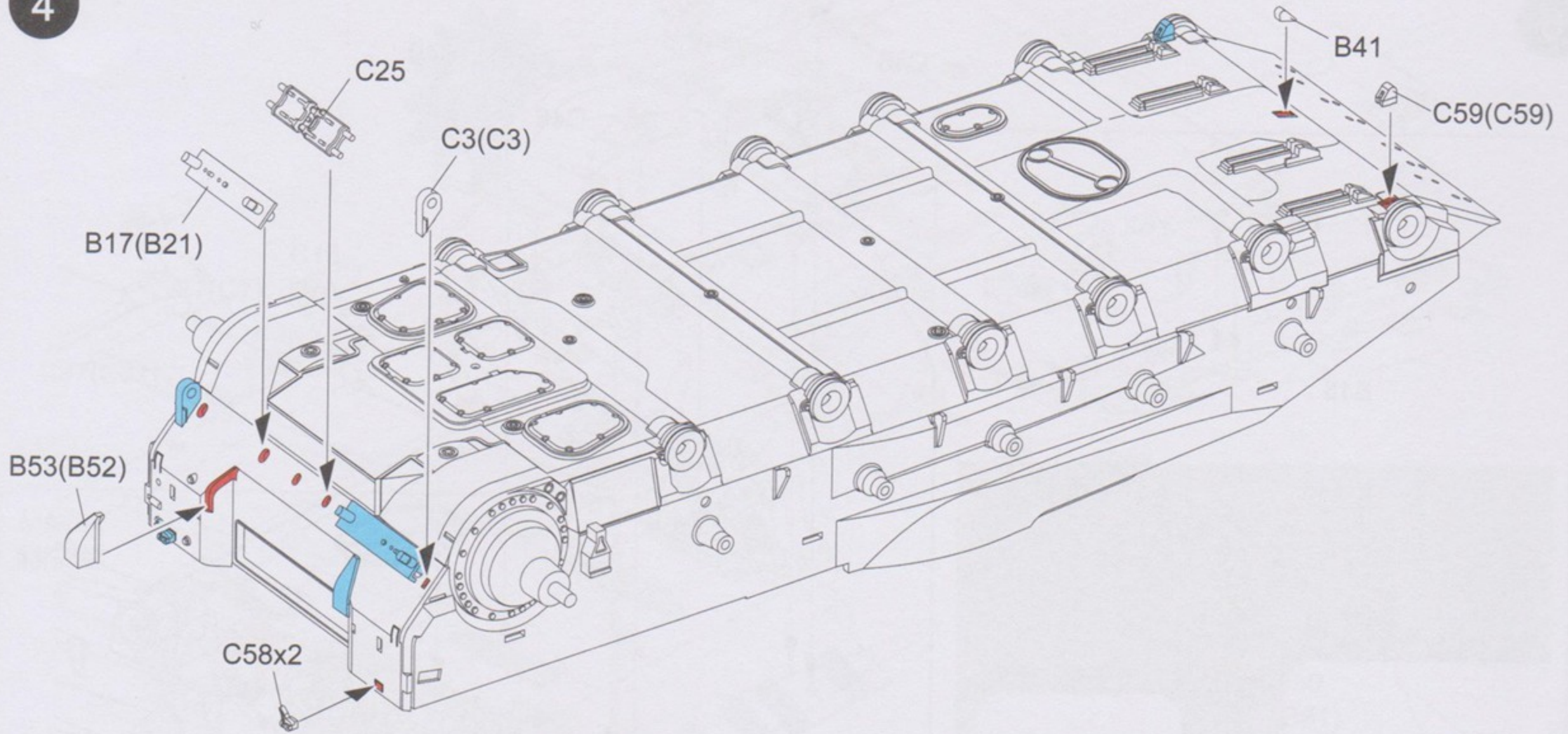


Decal

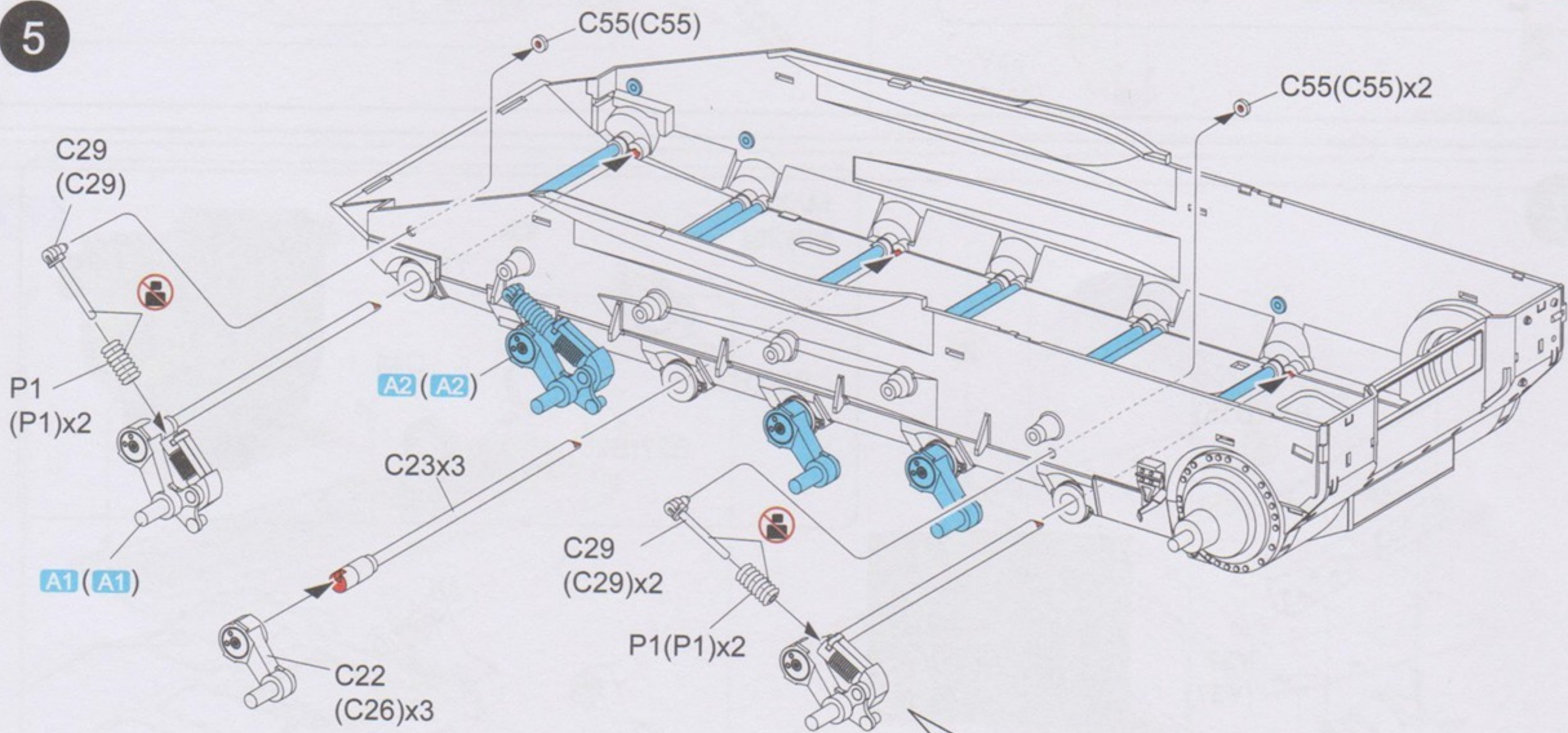




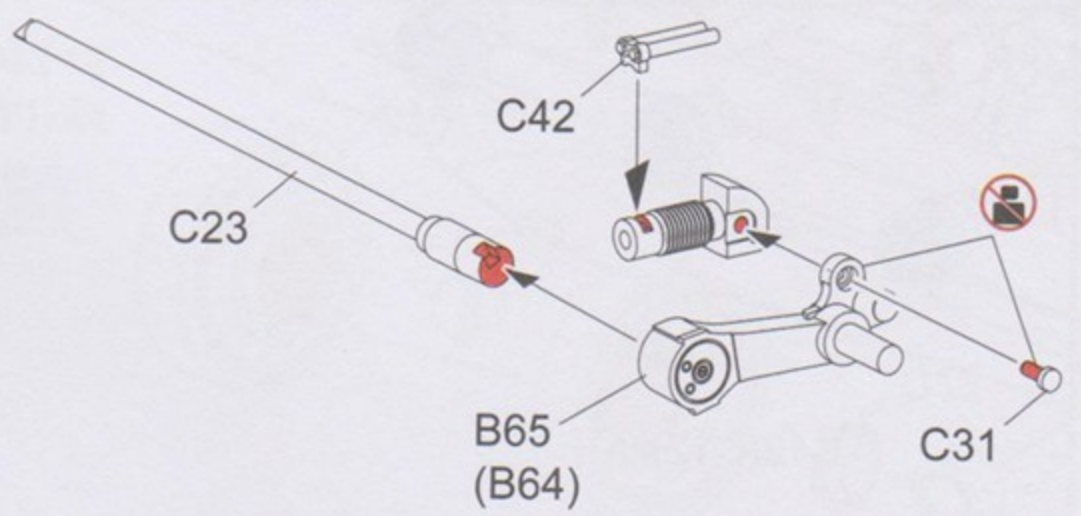
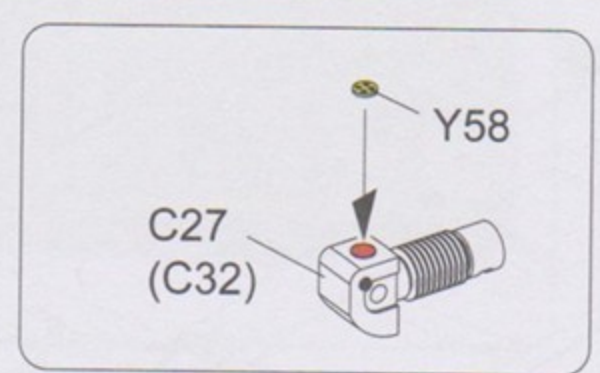
4



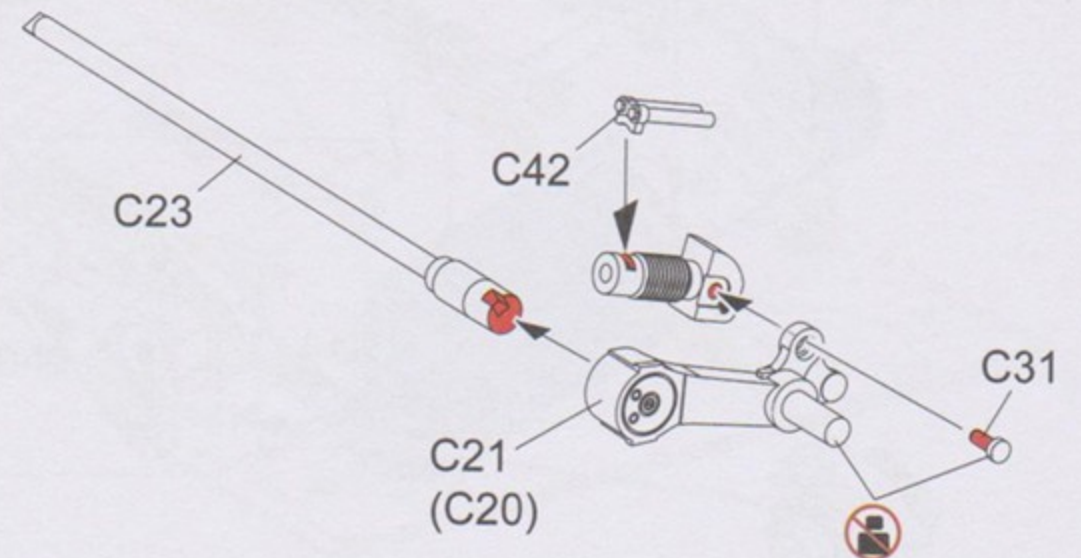
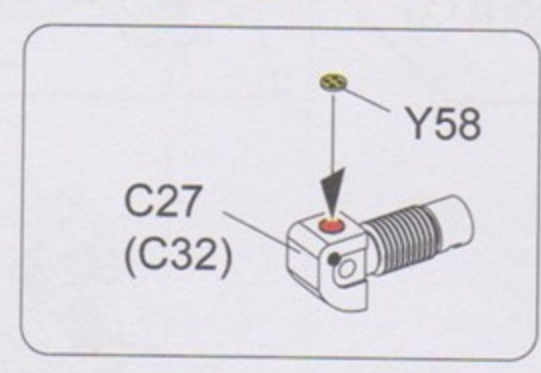
5



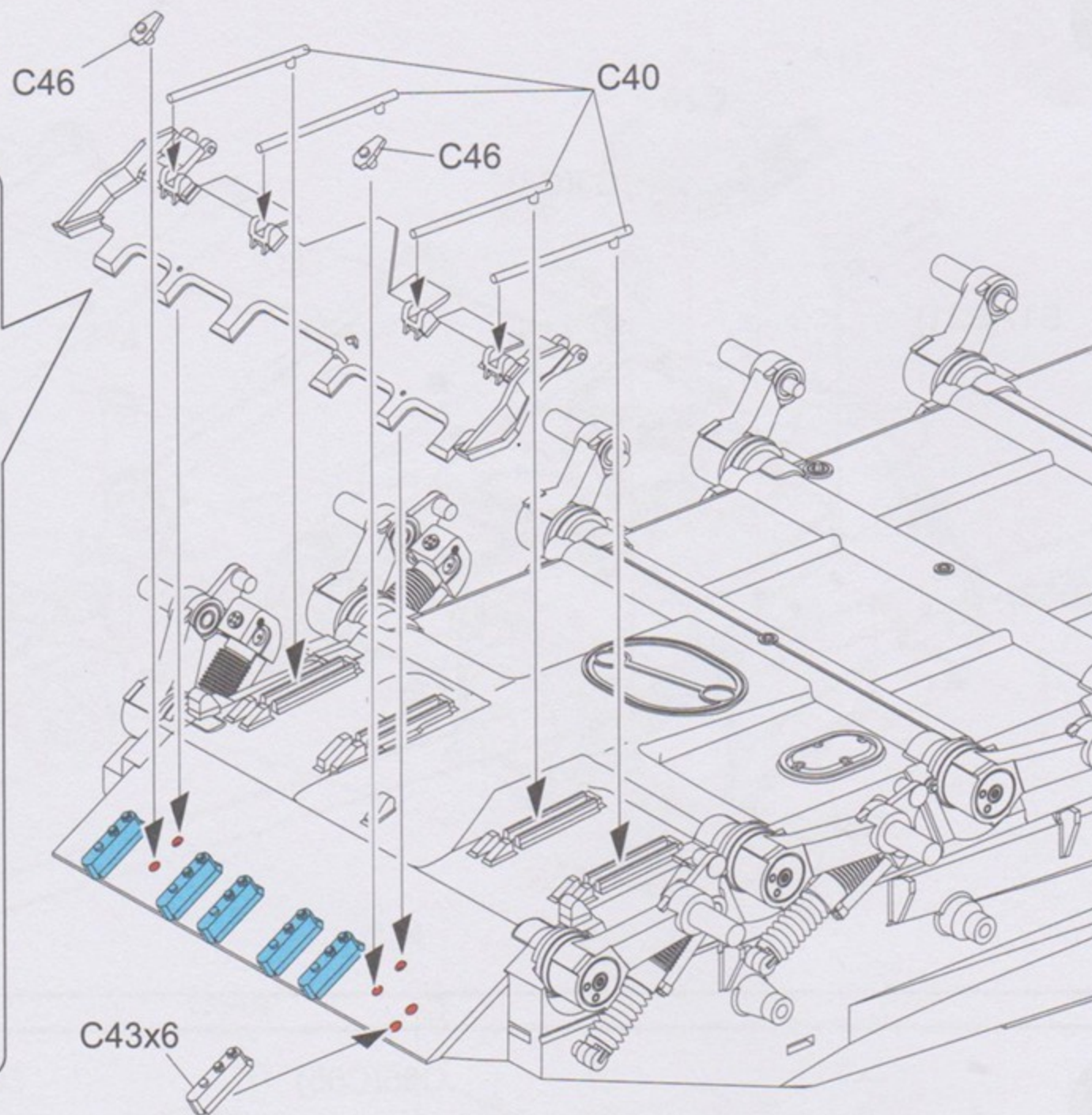
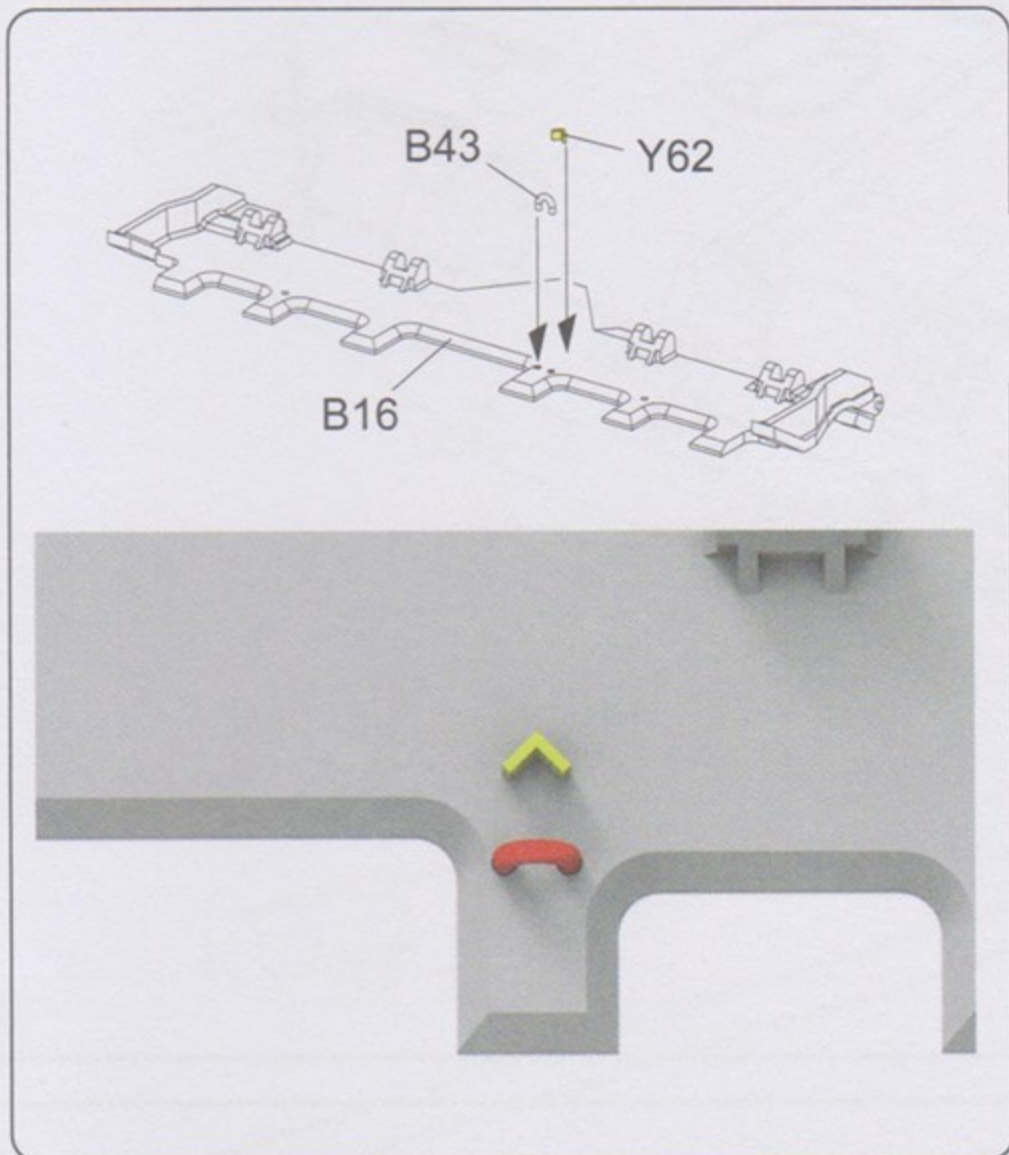
MAKE2
制作2组 **A1**



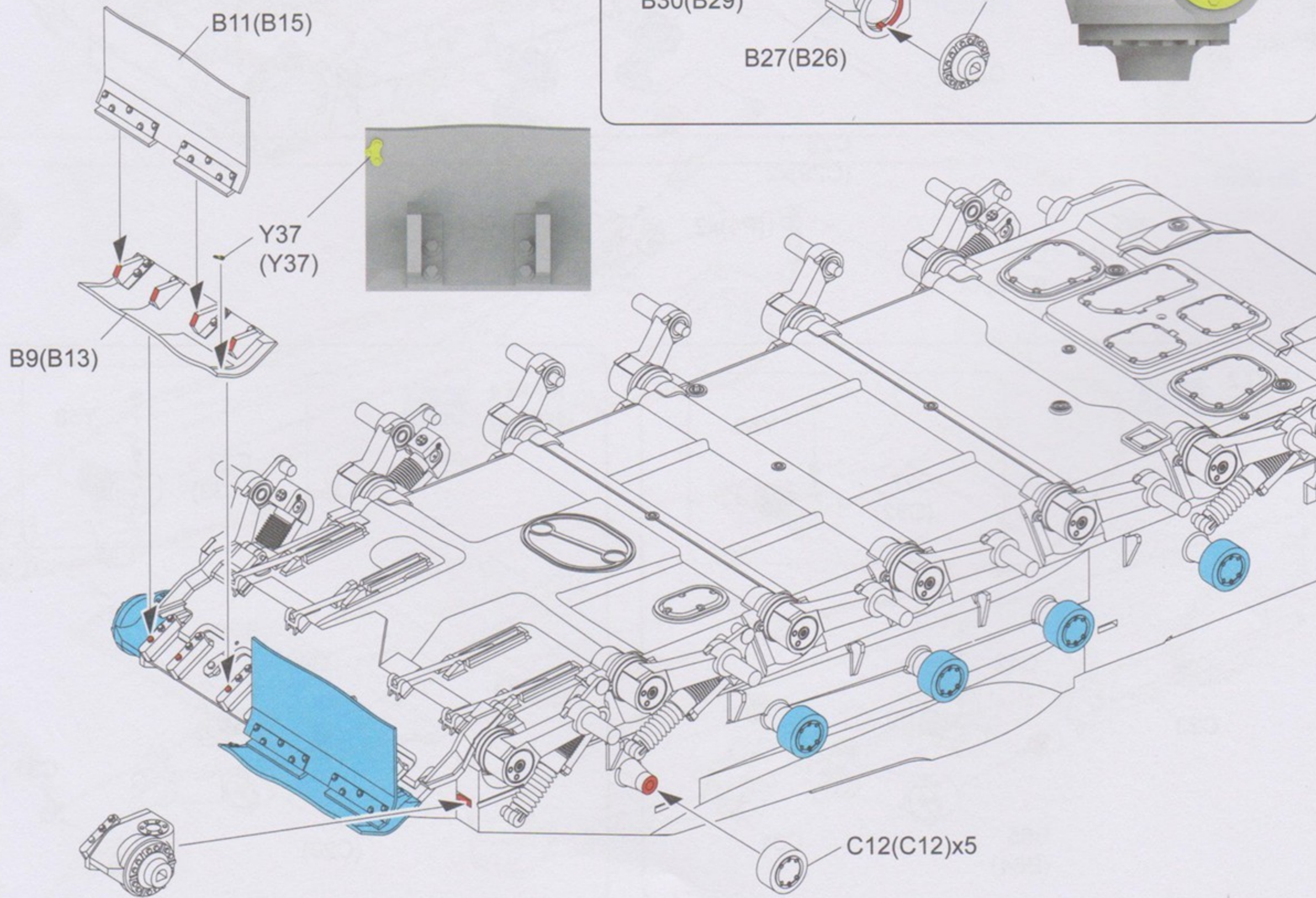
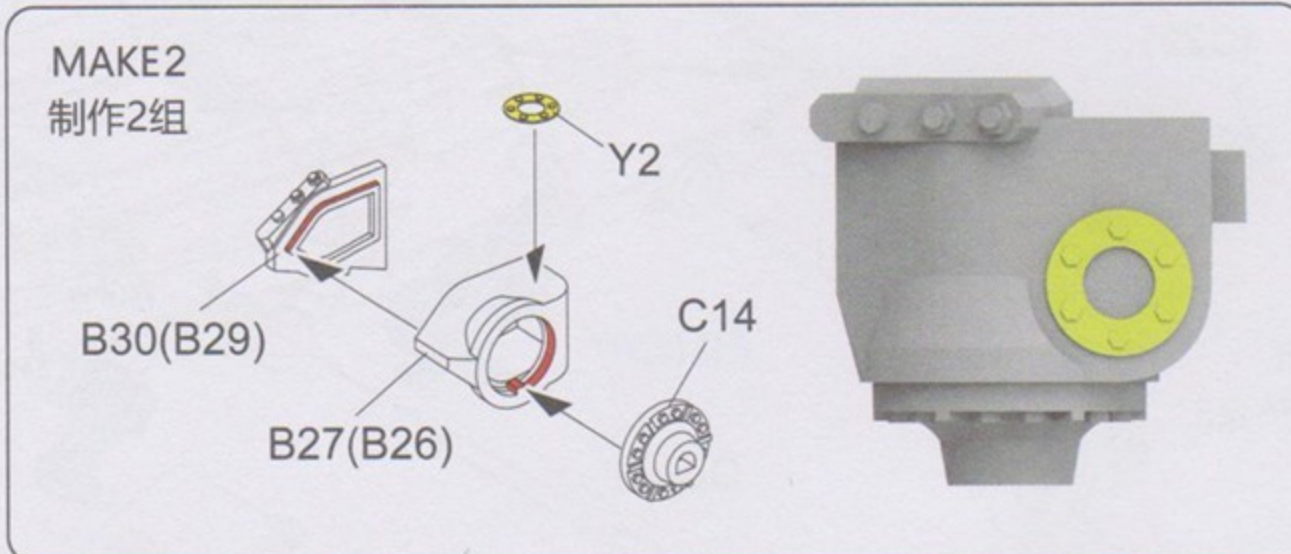
MAKE4
制作4组 **A2**



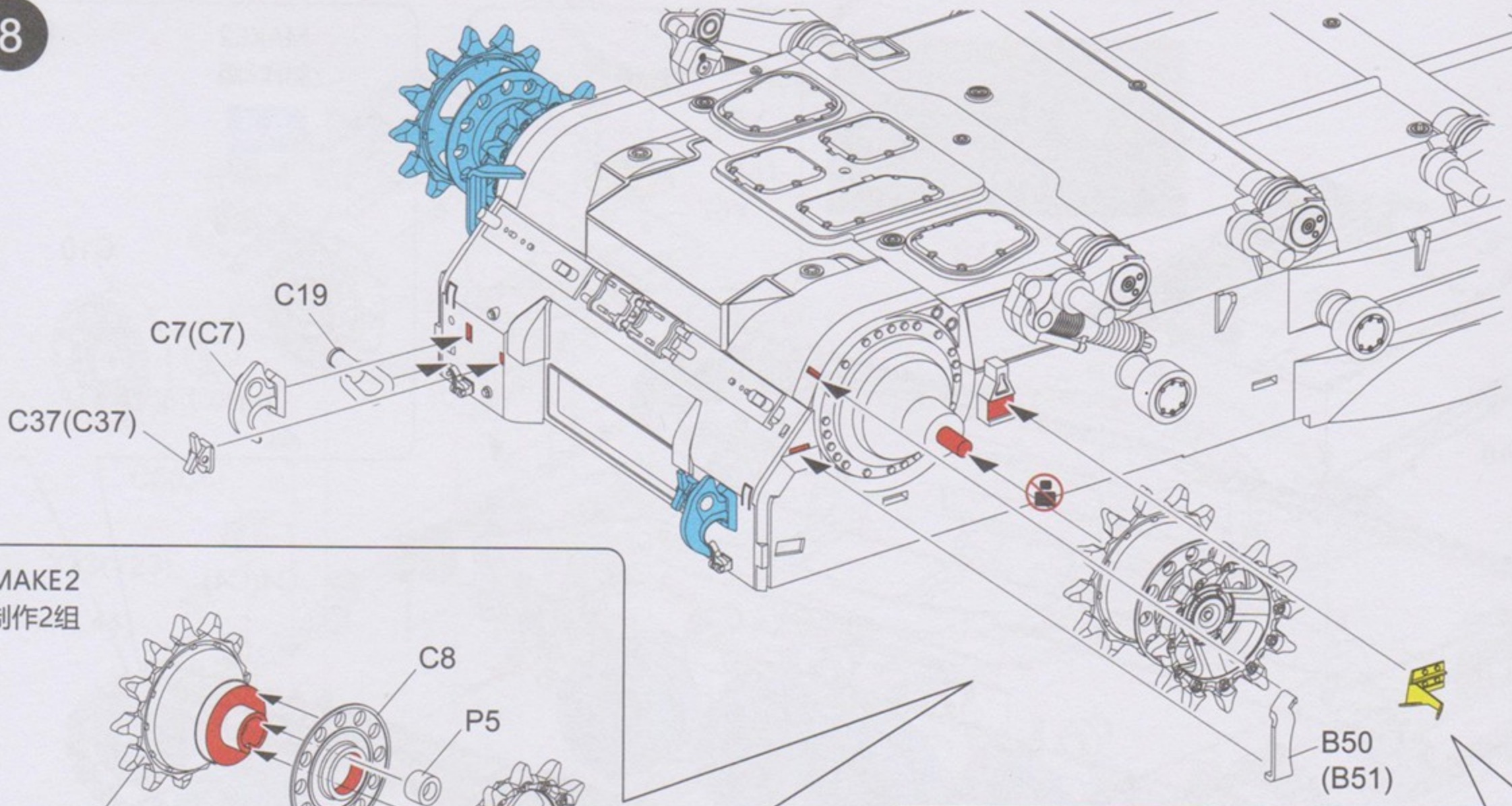
6



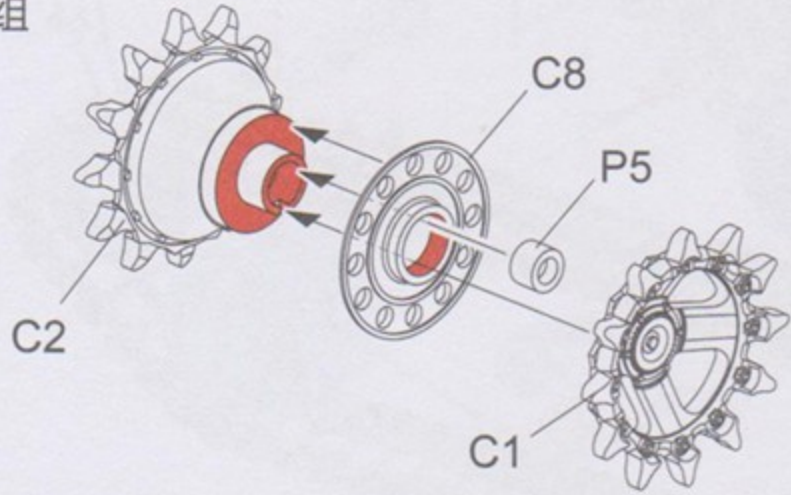
7



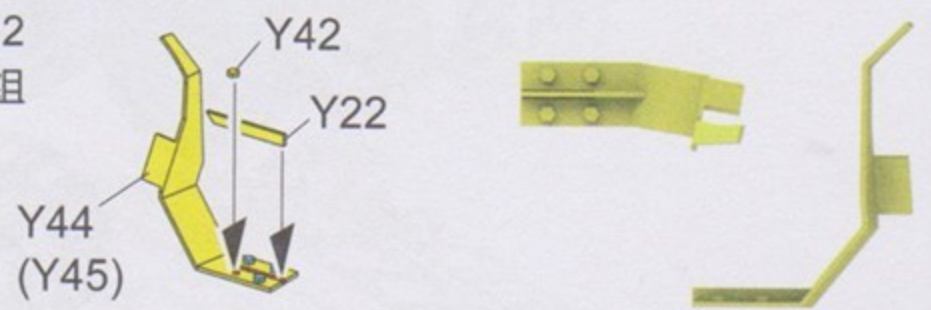
8



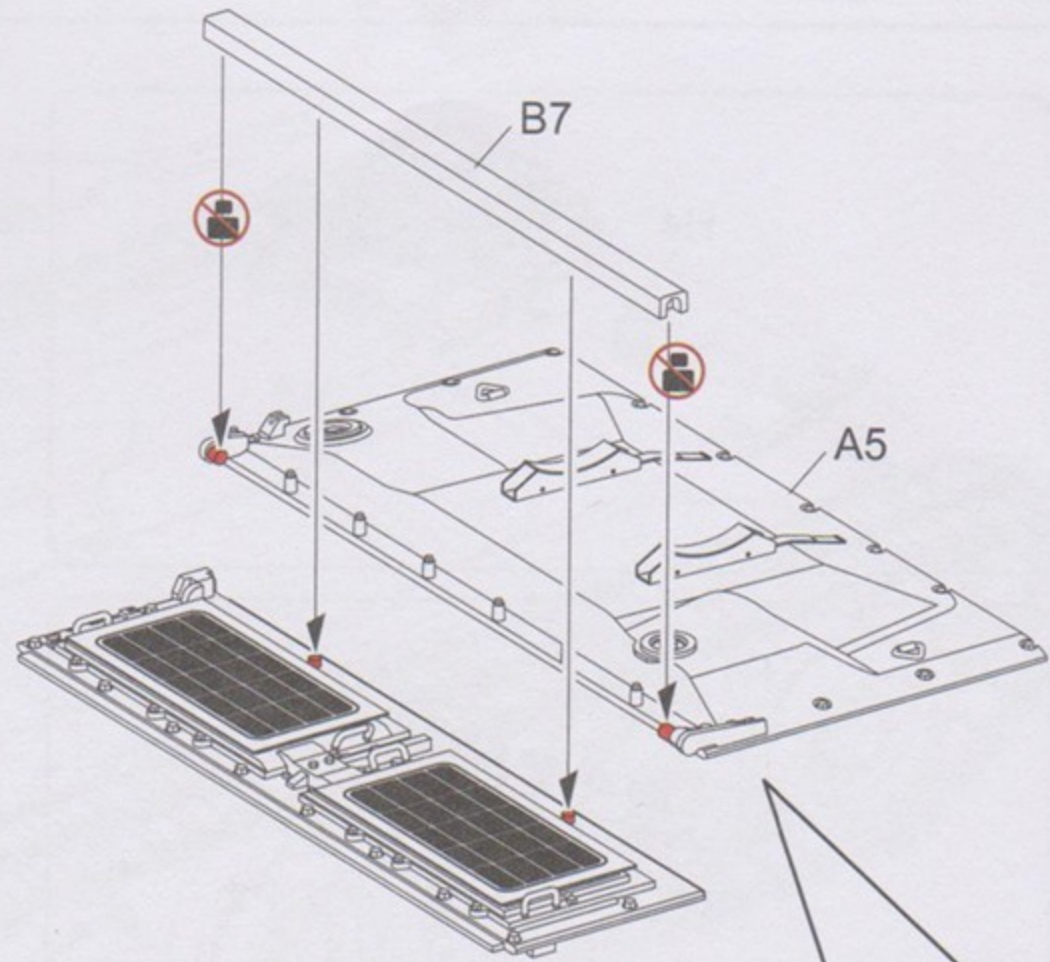
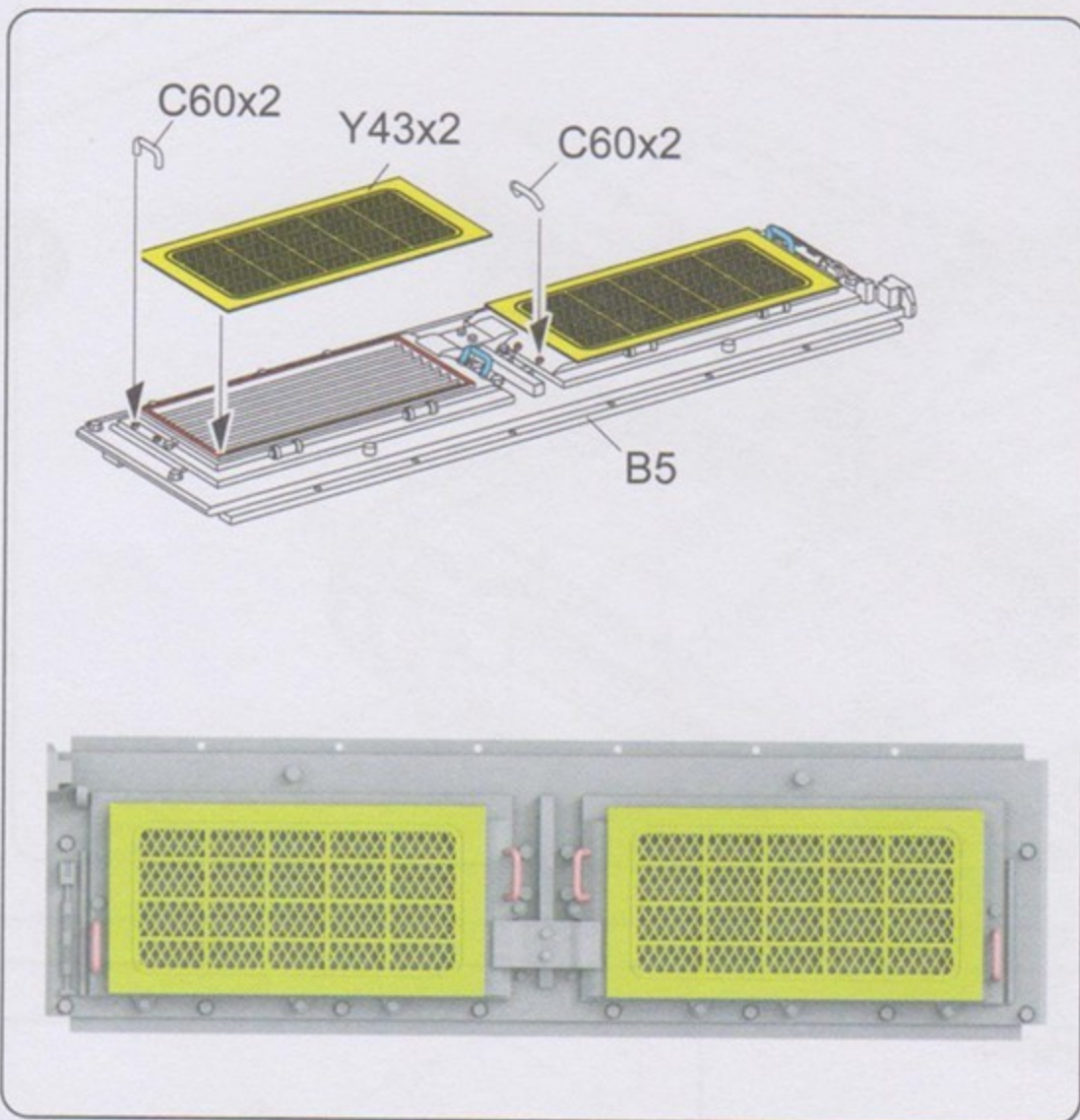
MAKE2
制作2组



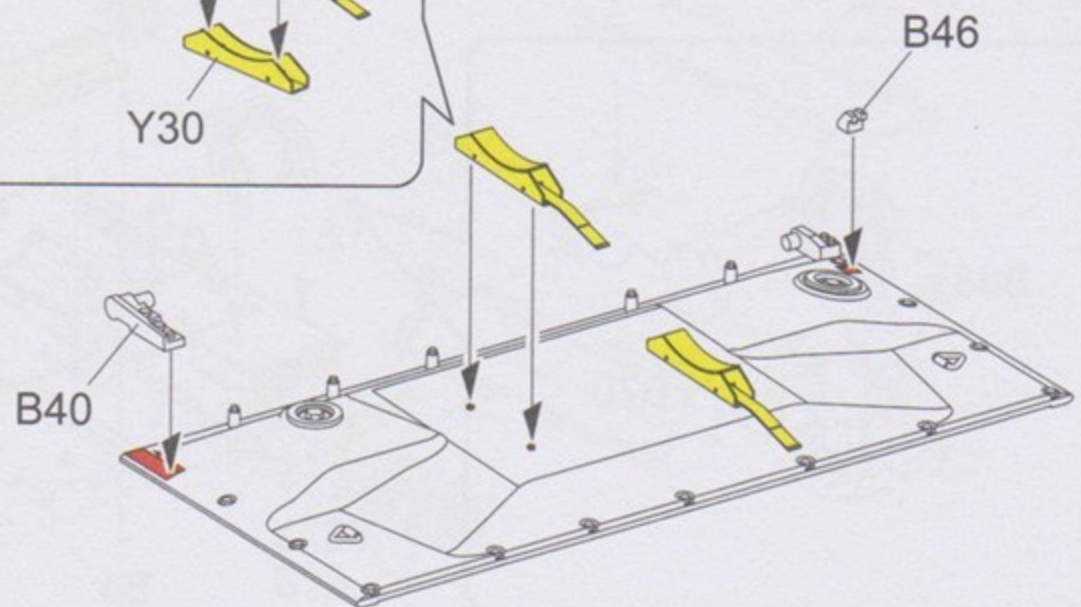
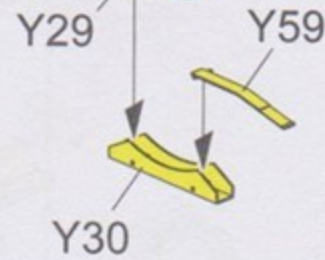
MAKE2
制作2组



A2

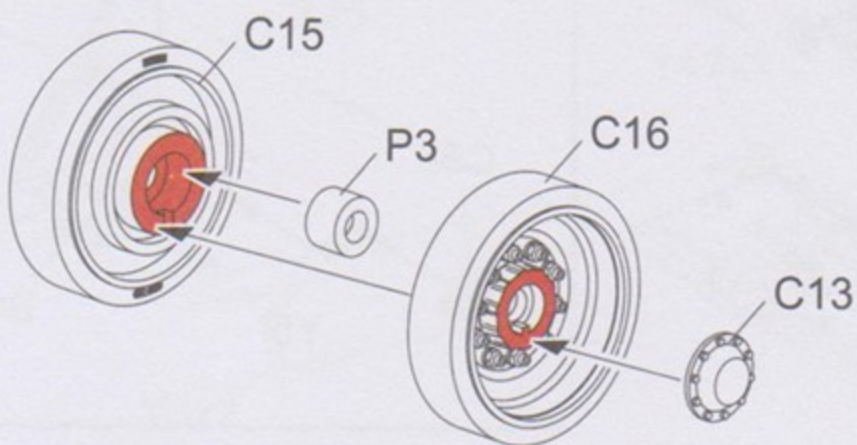


MAKE2
制作2组

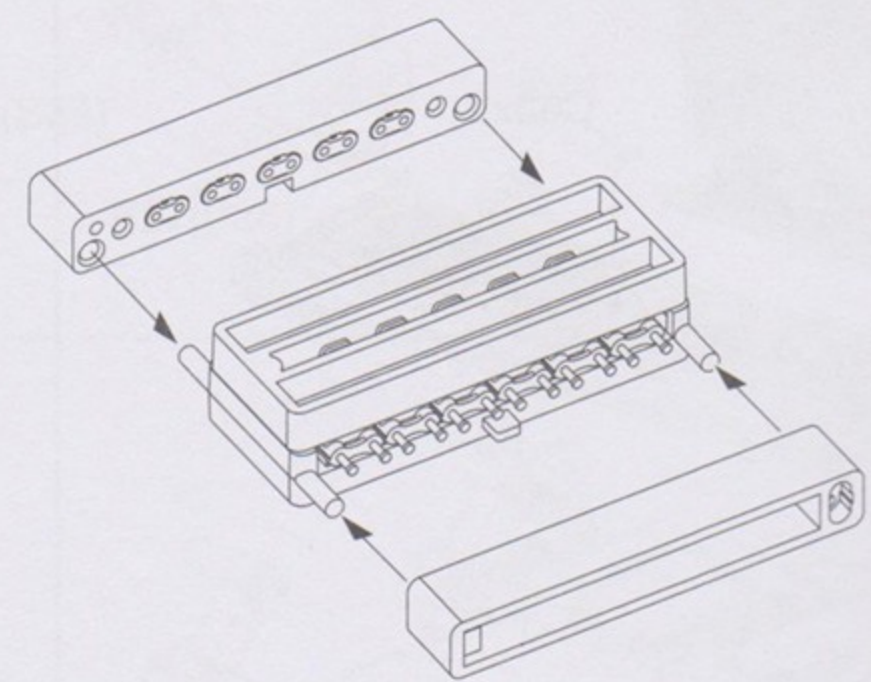
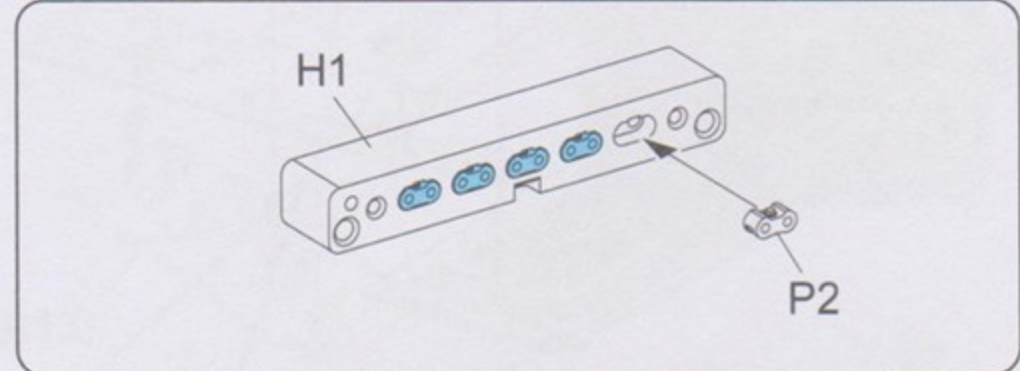
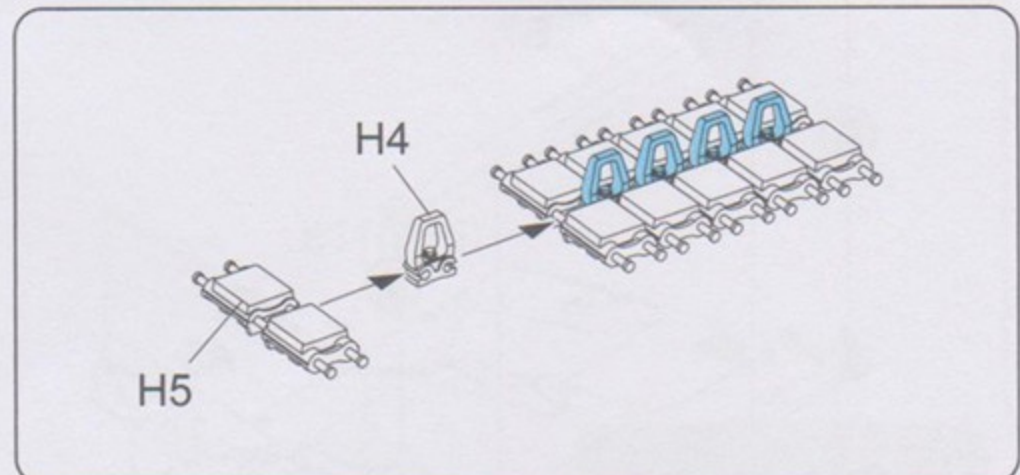
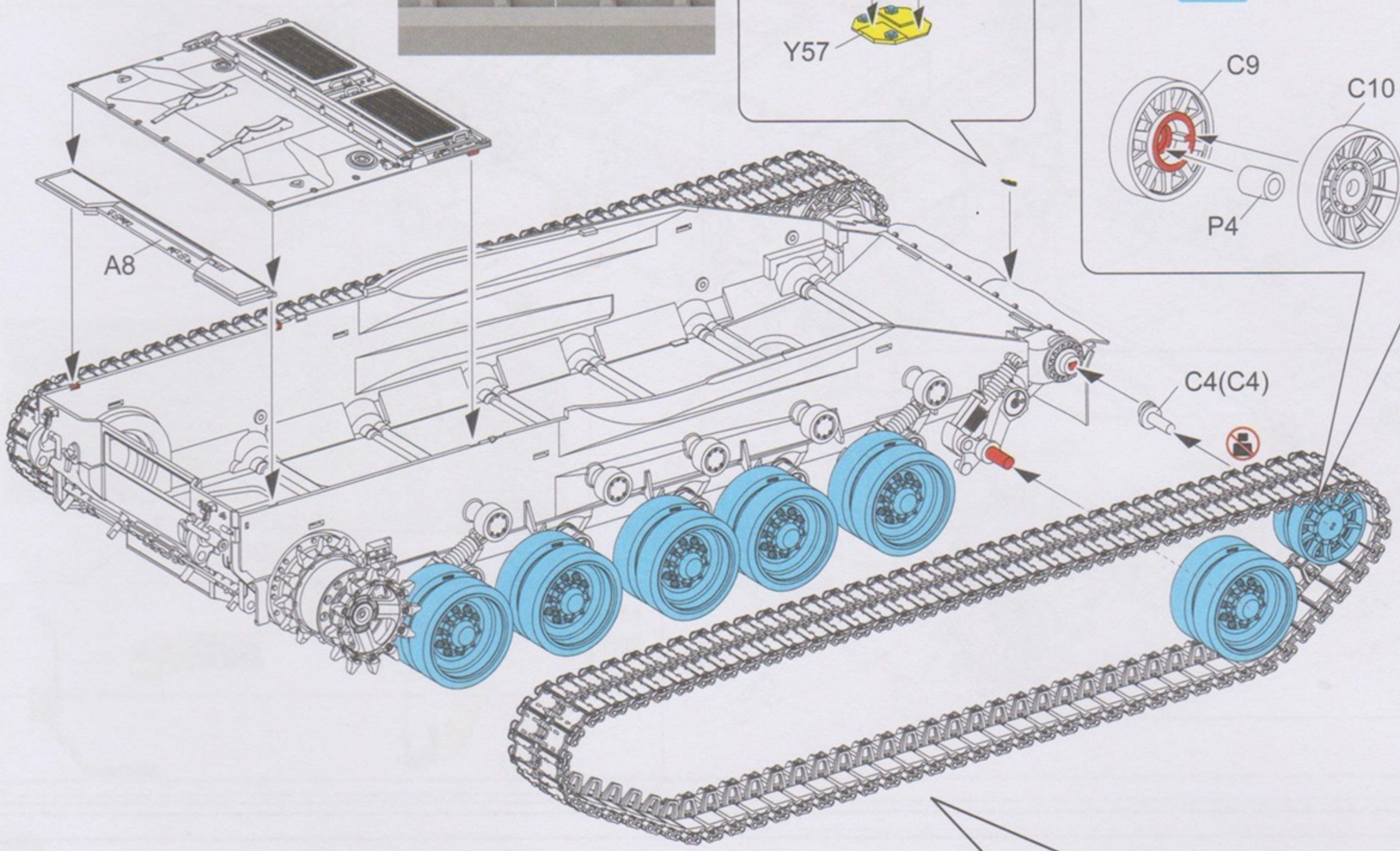
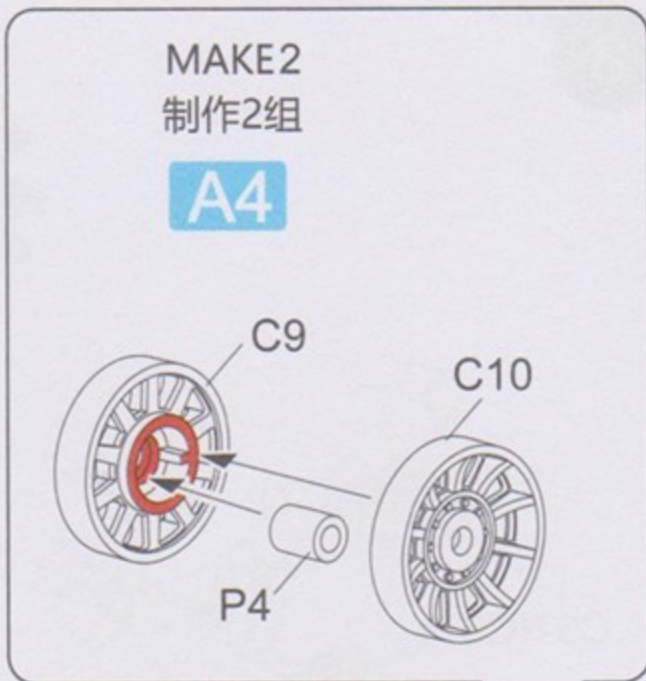
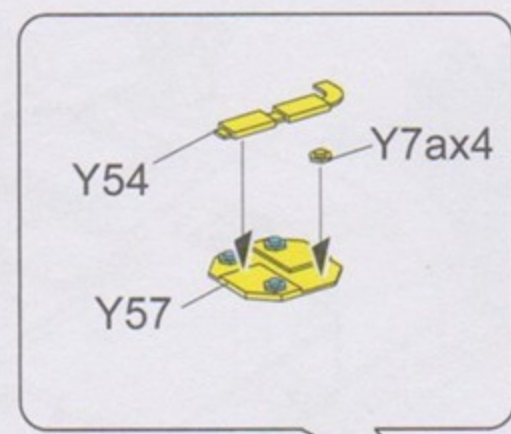
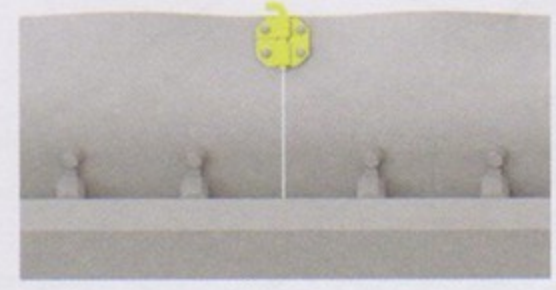


MAKE12
制作12组

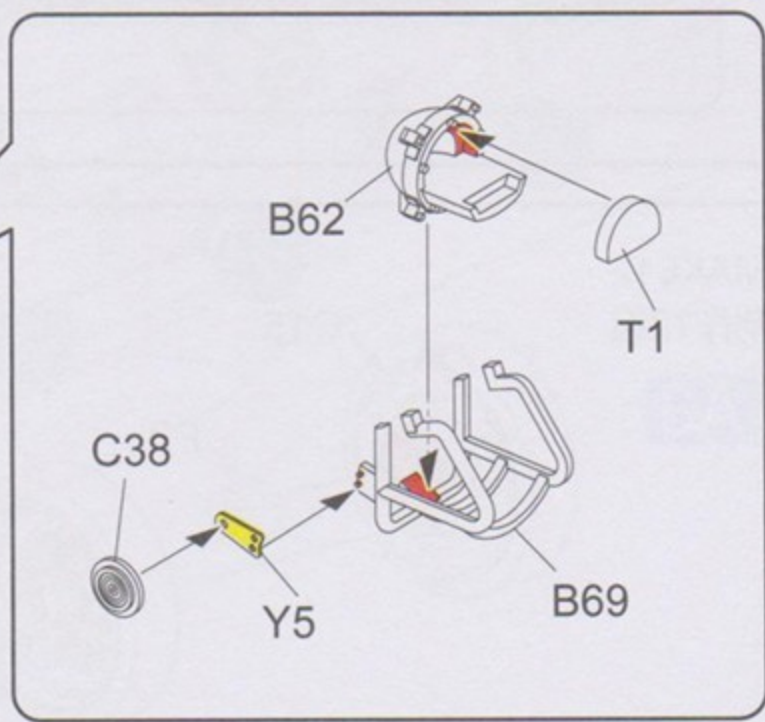
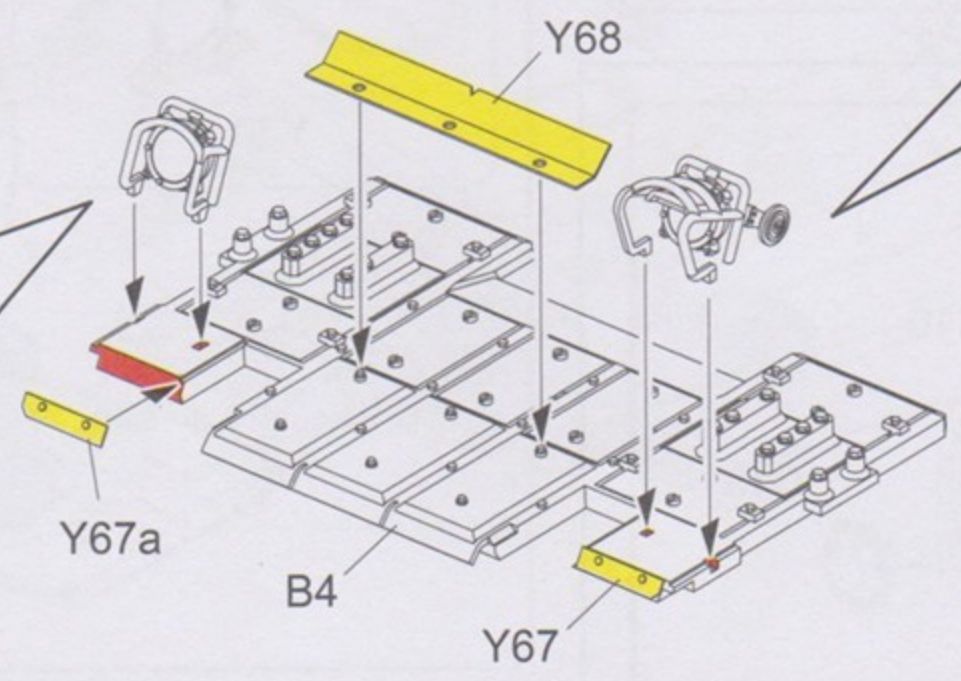
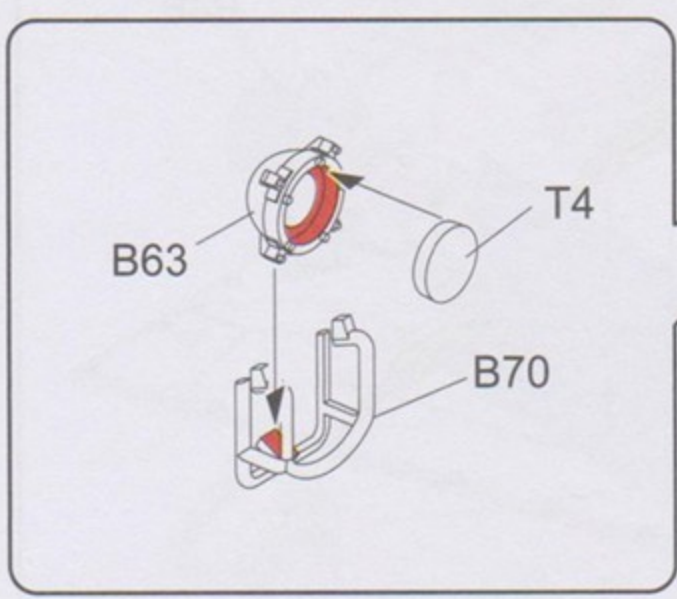
A3



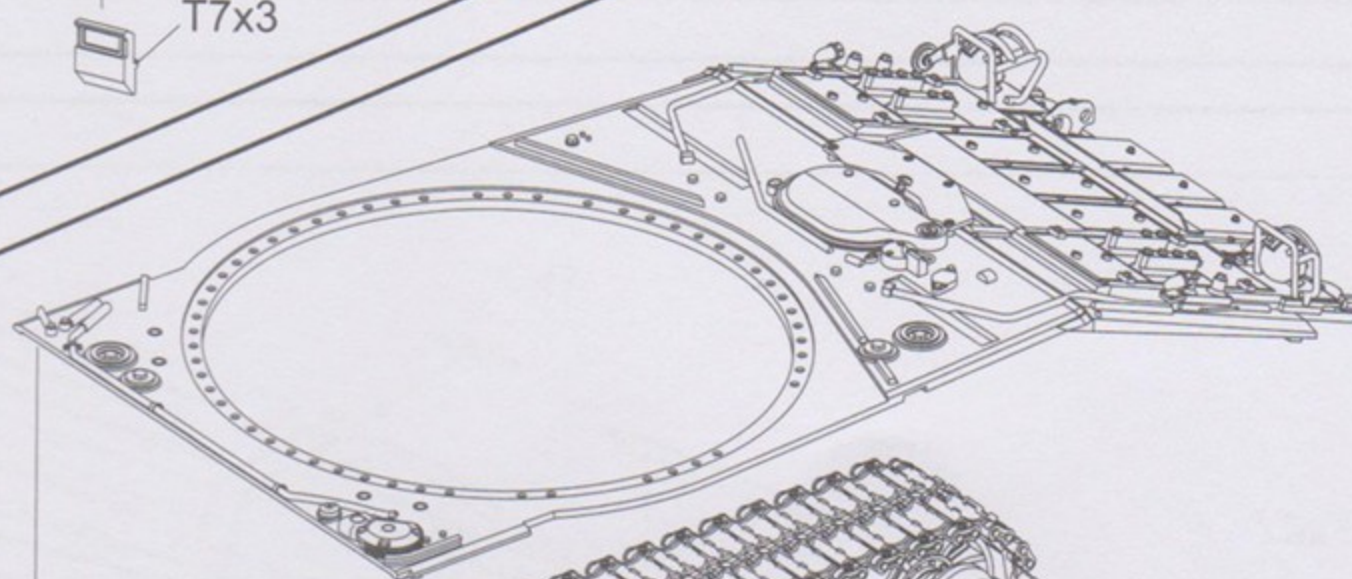
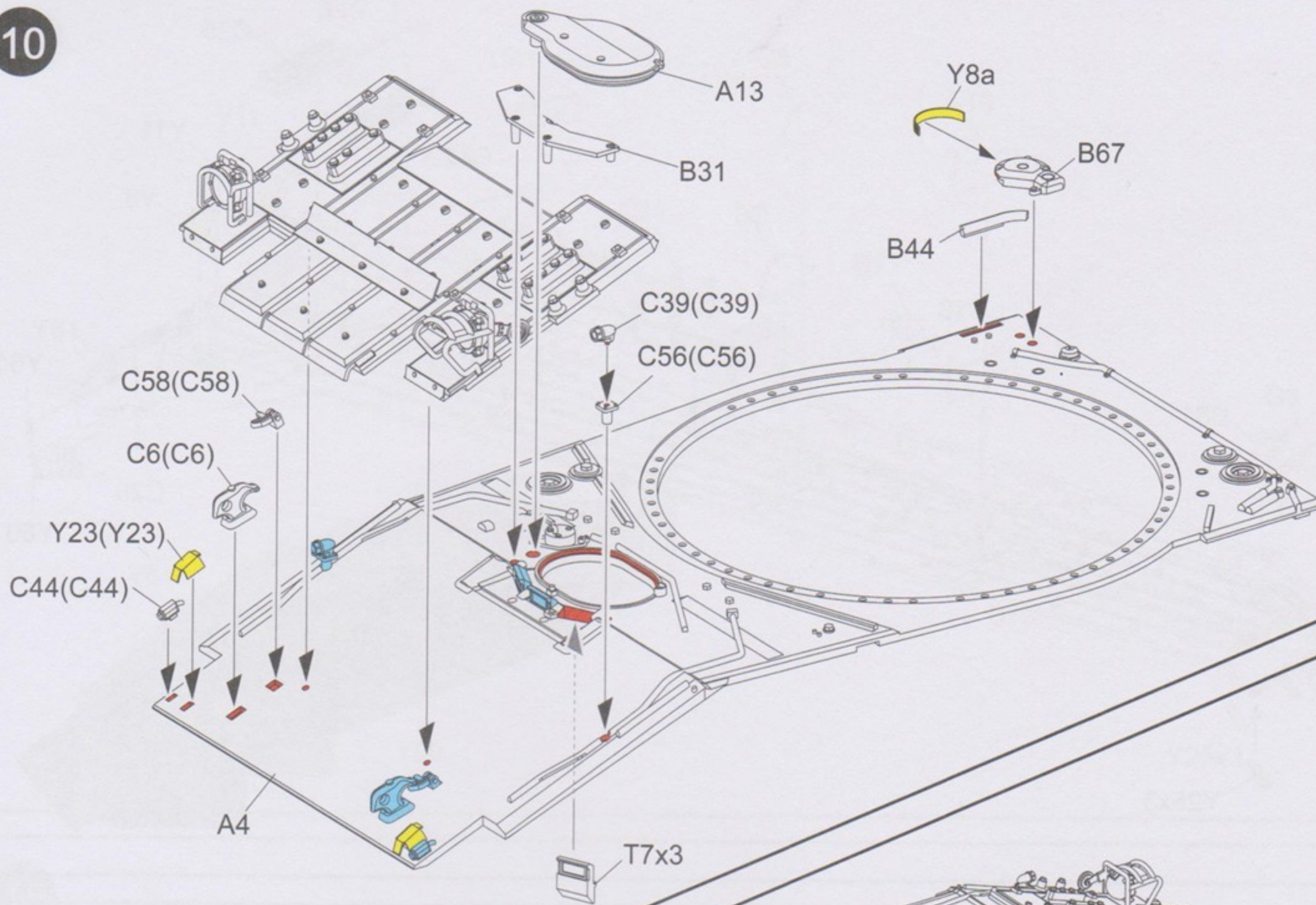
9



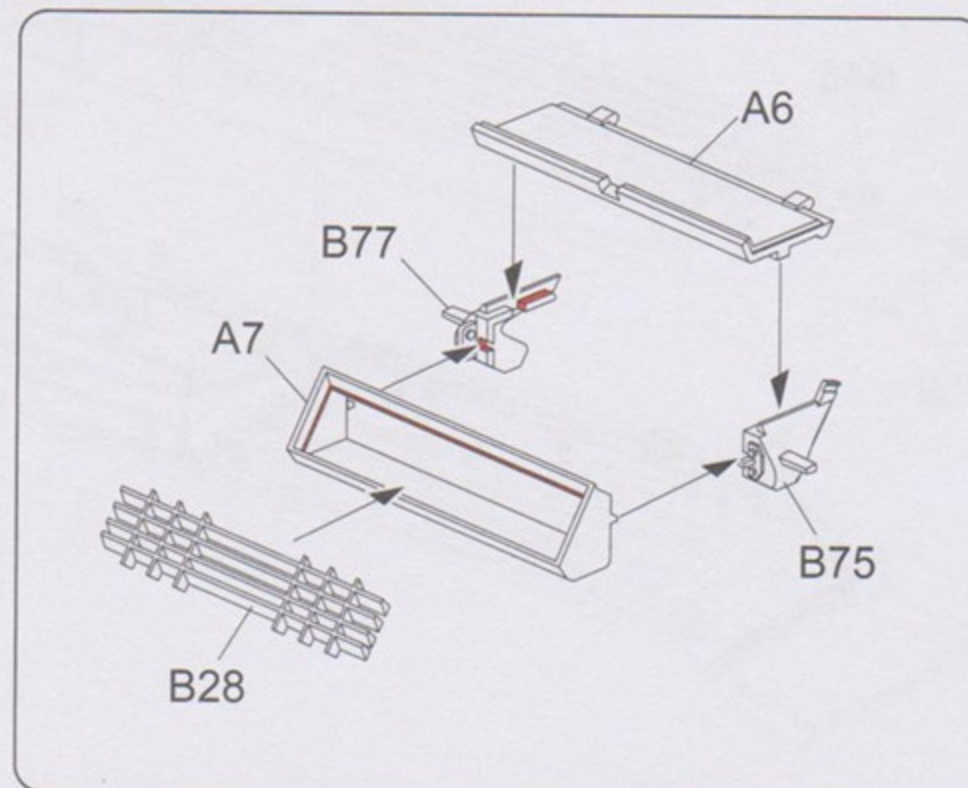
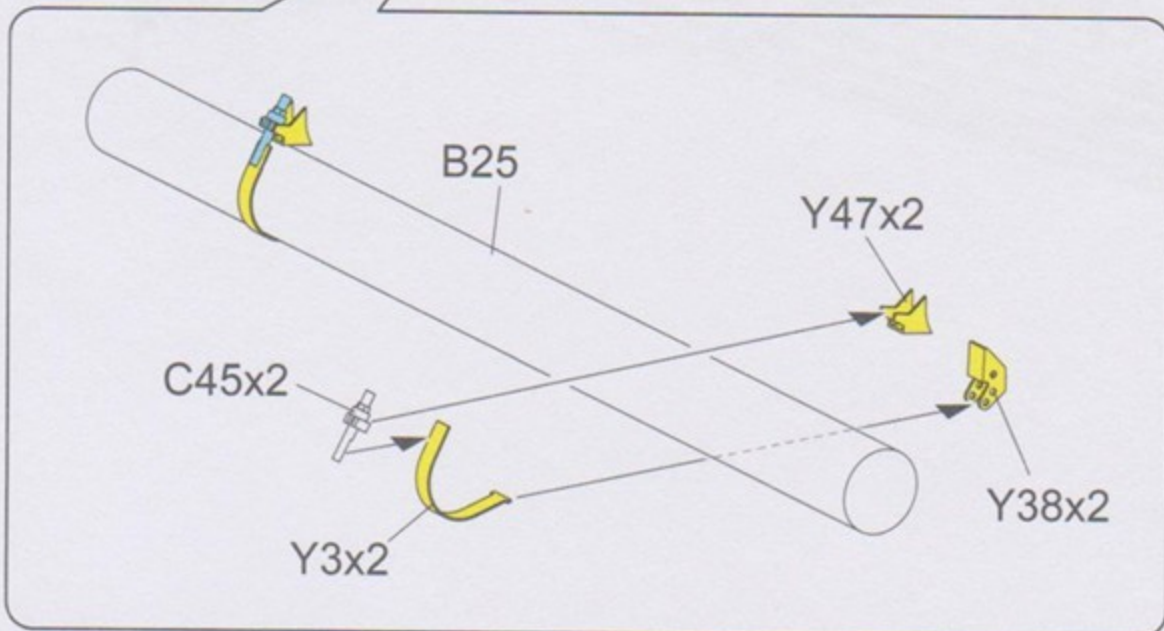
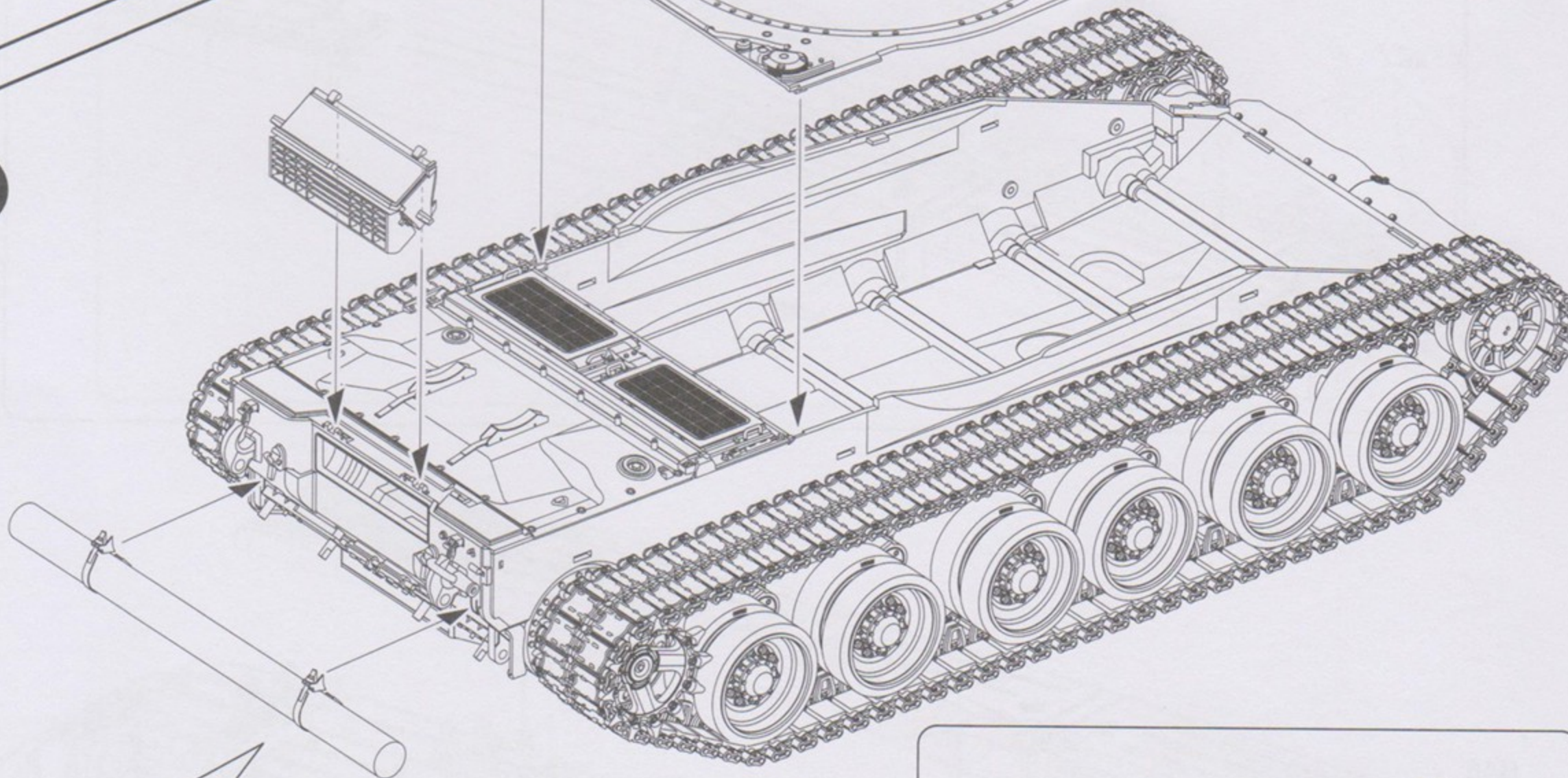
A5



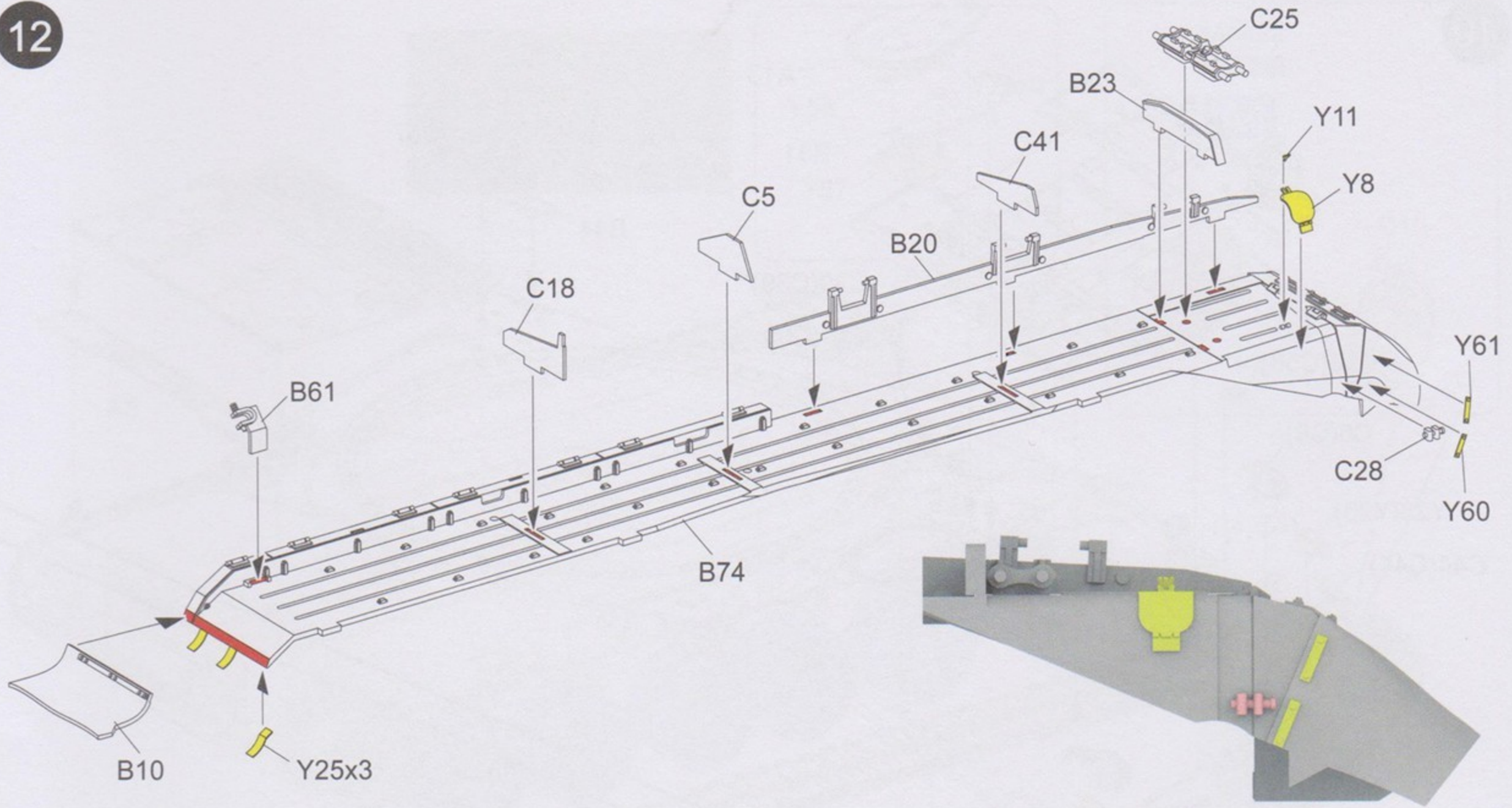
10



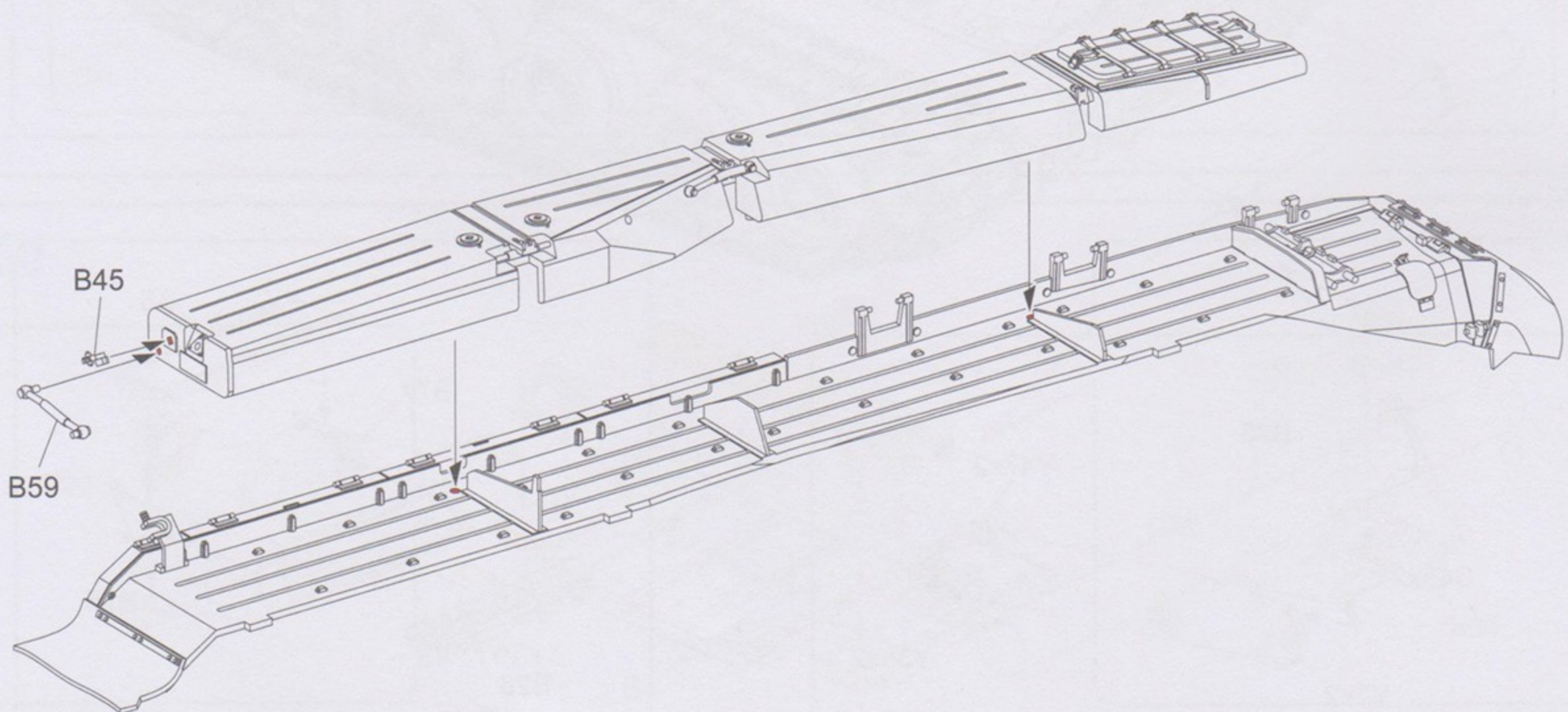
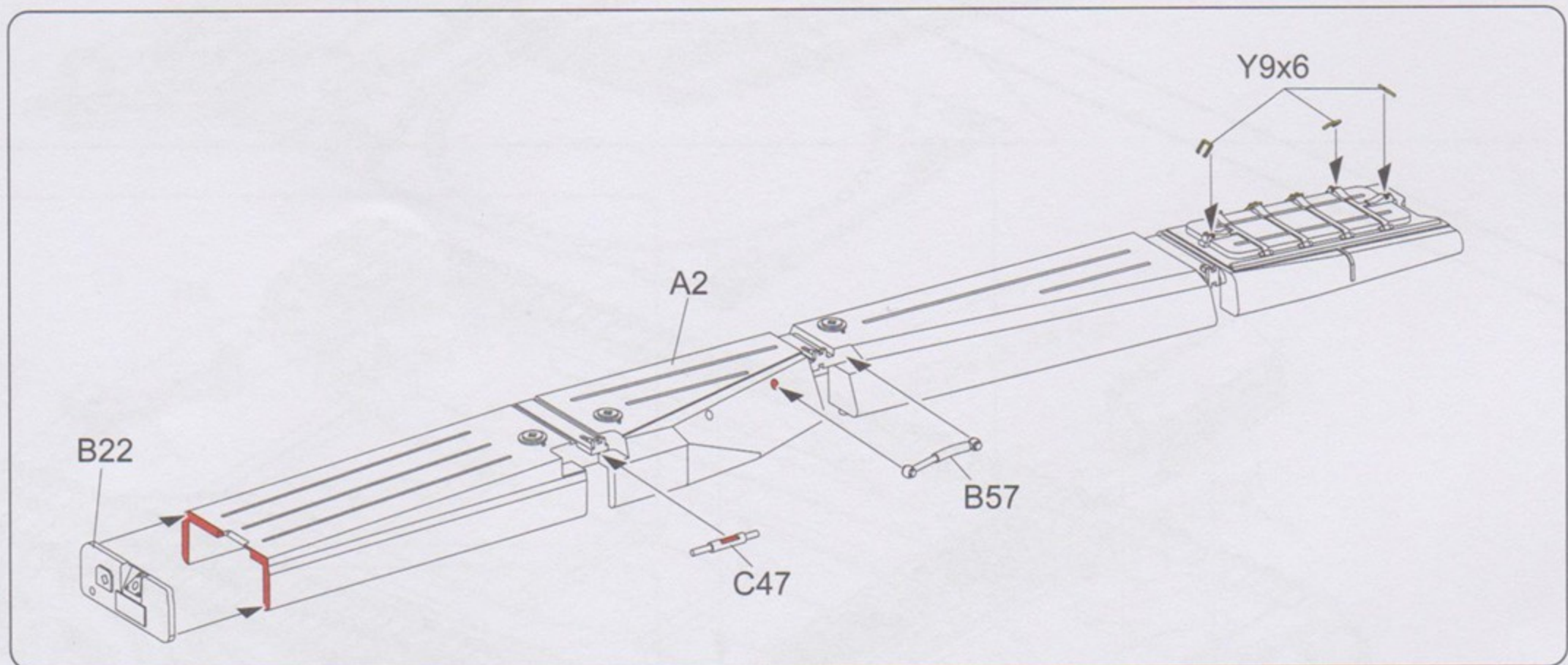
11



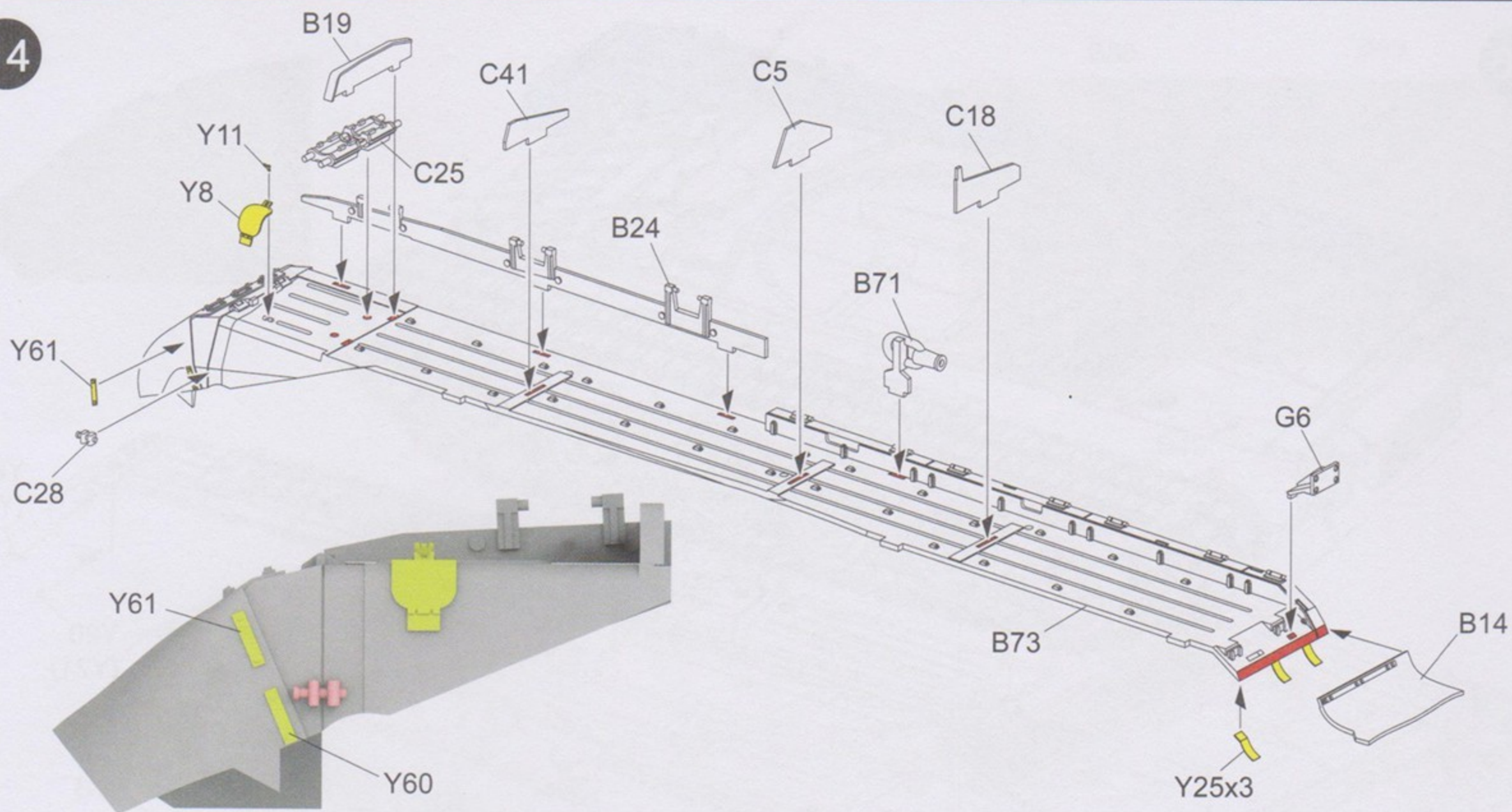
12



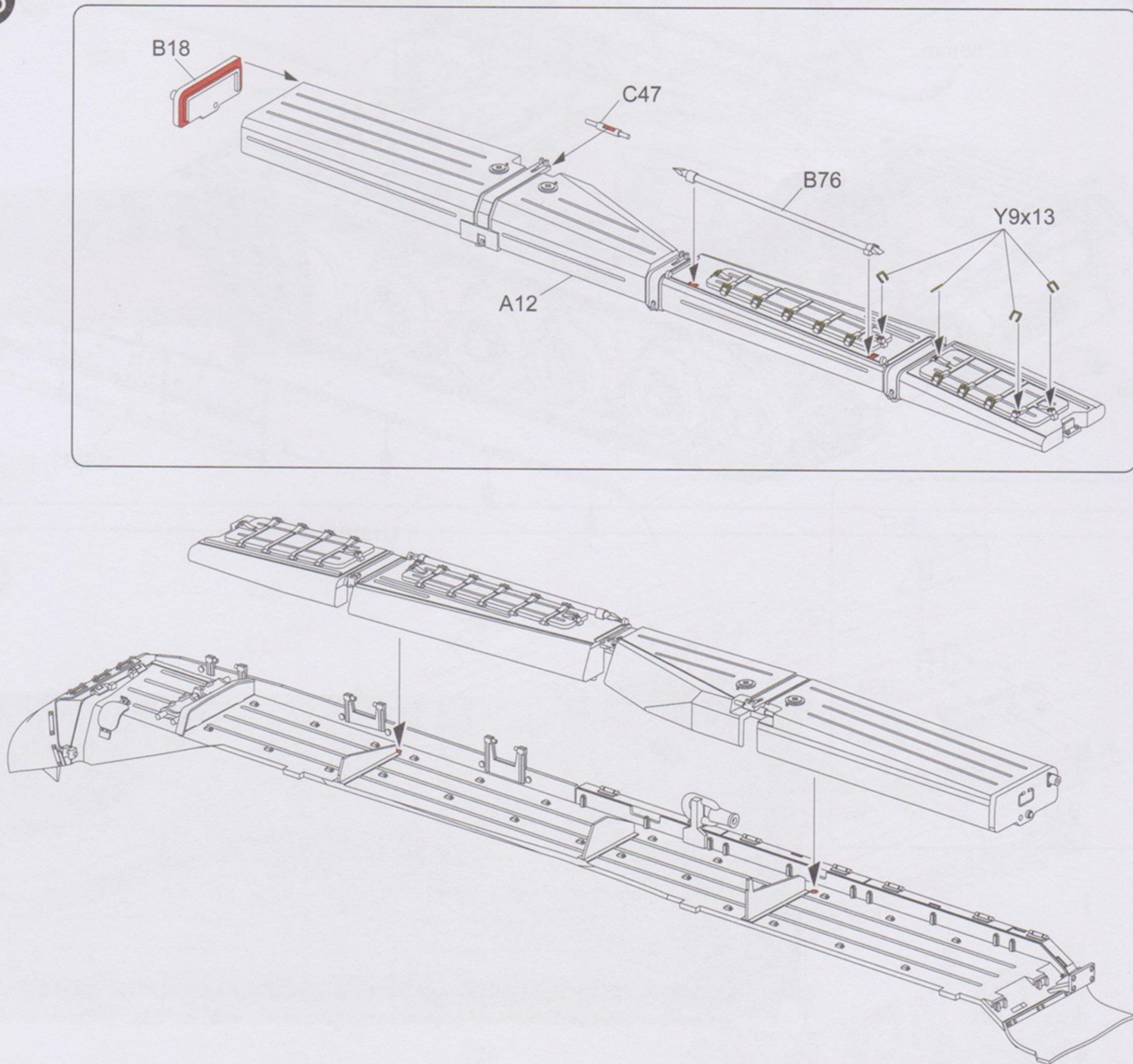
13



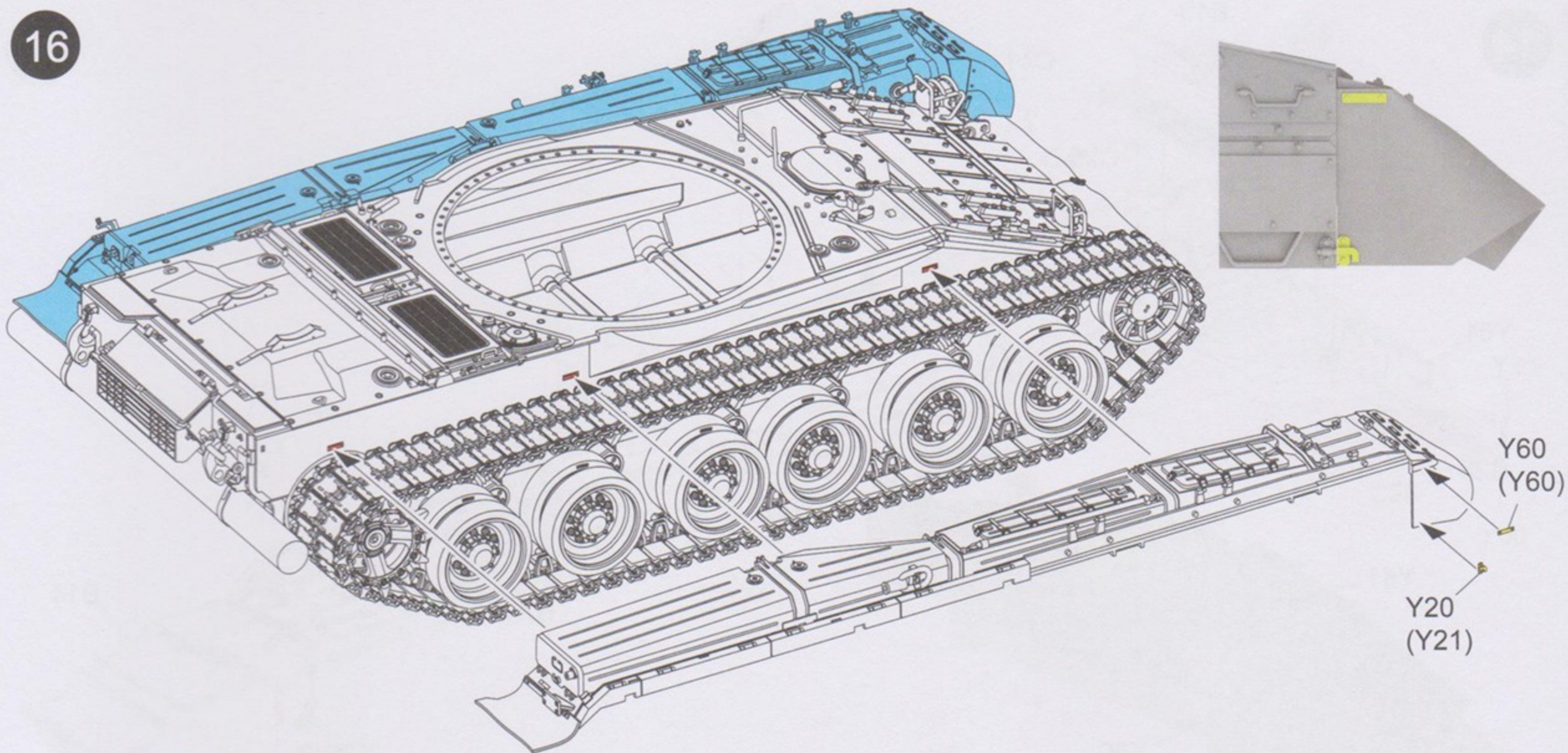
14



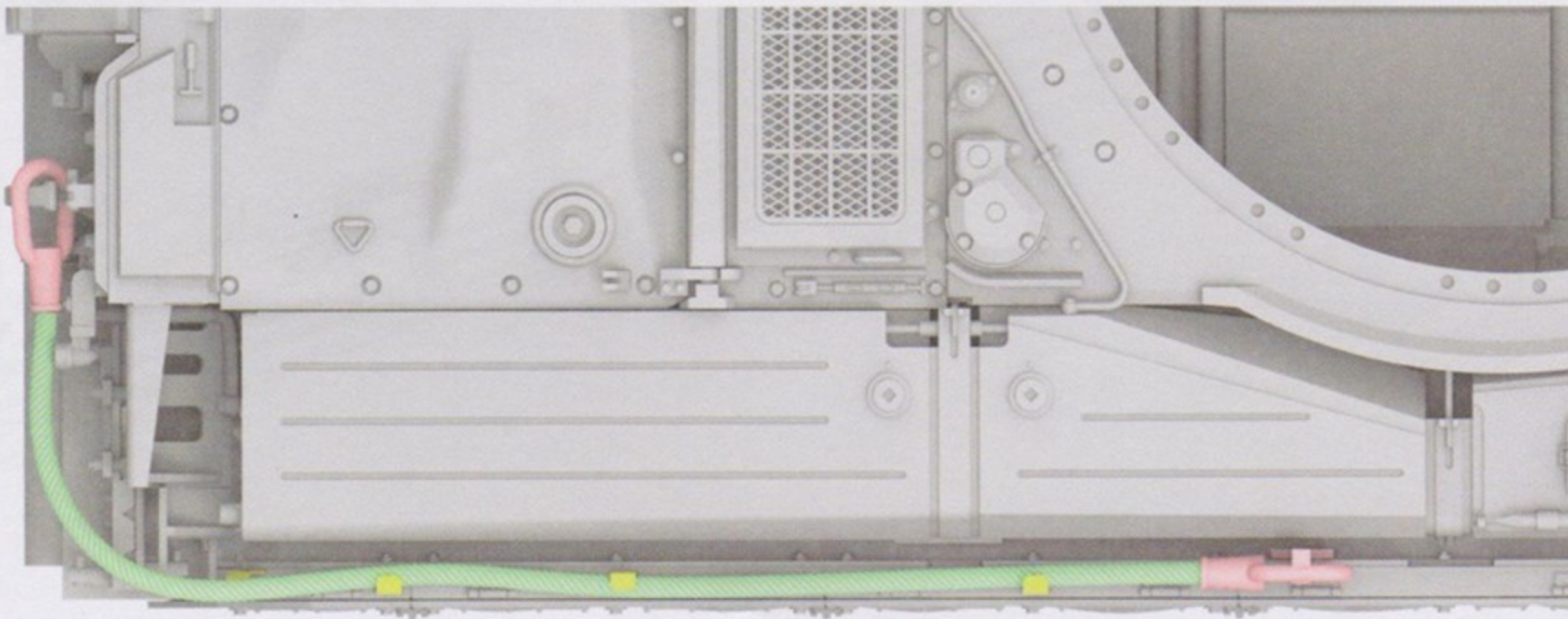
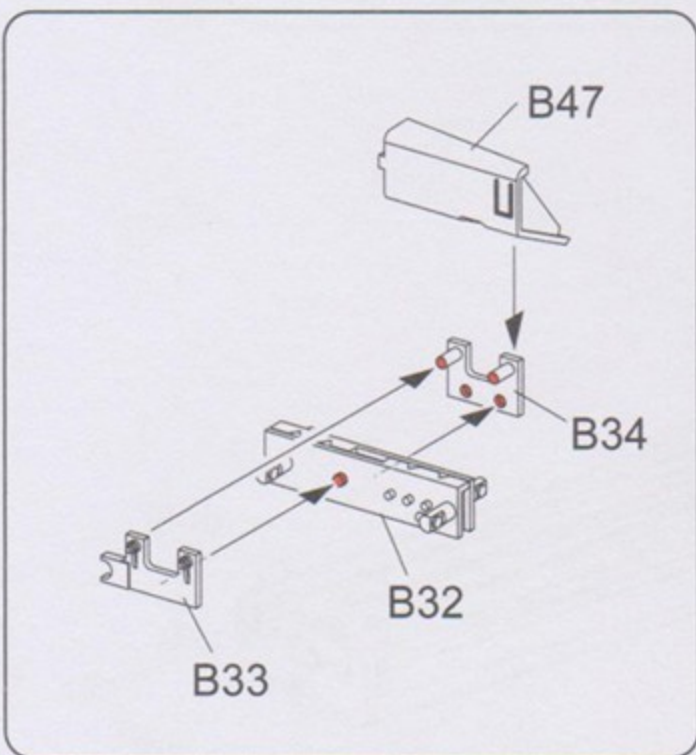
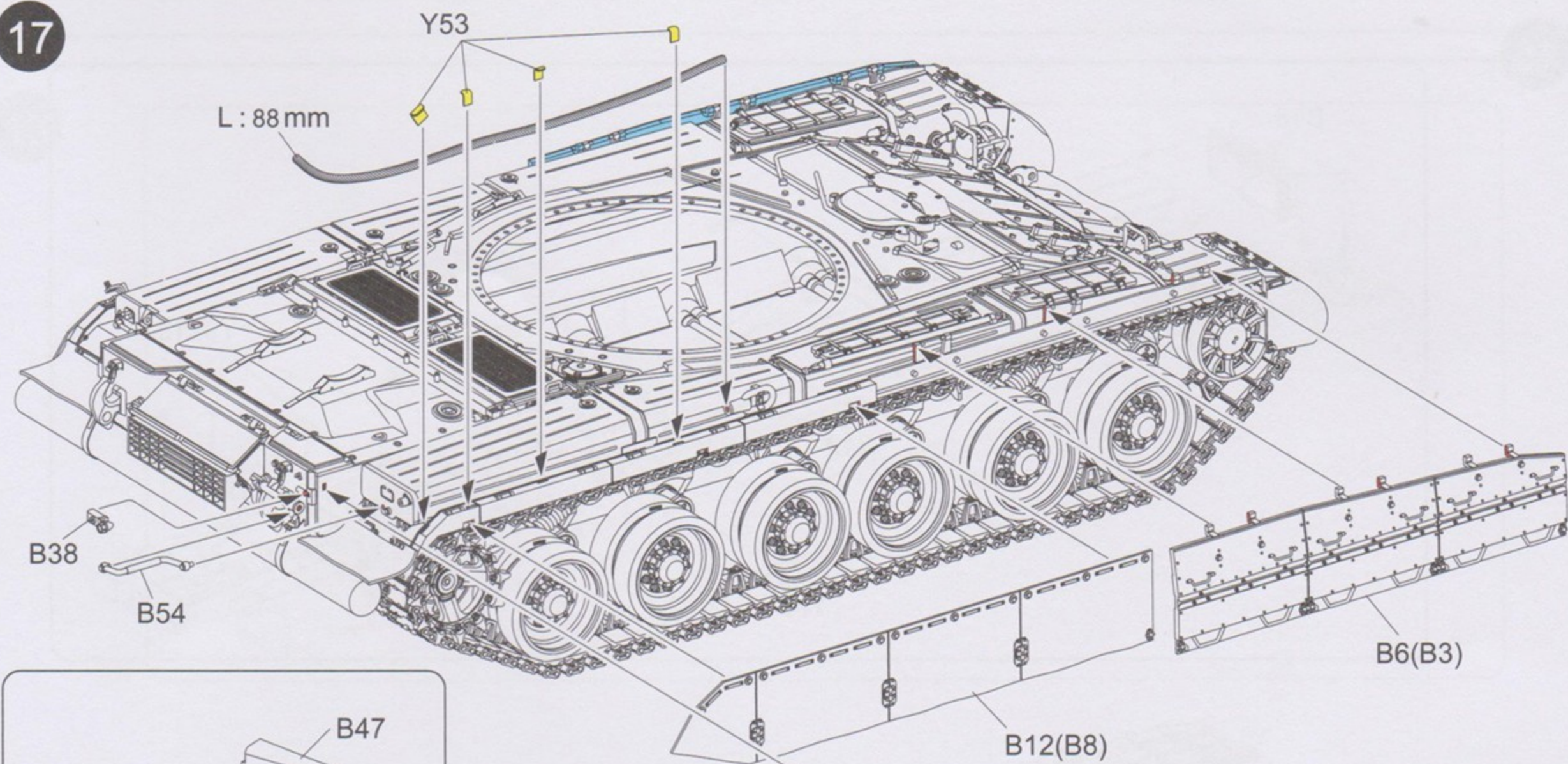
15



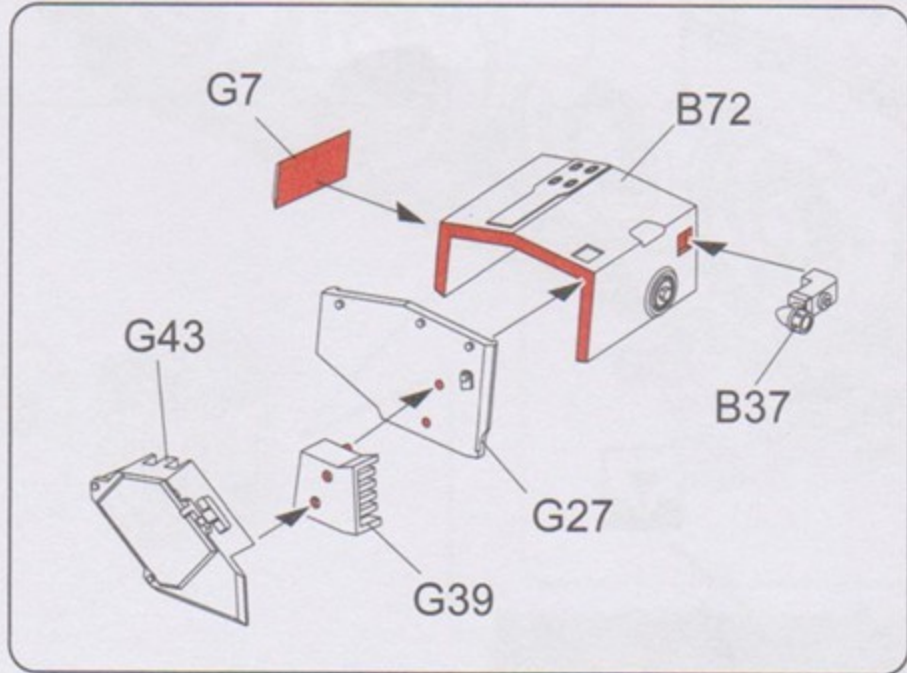
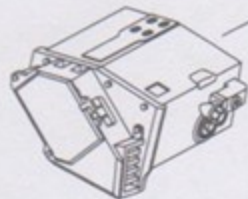
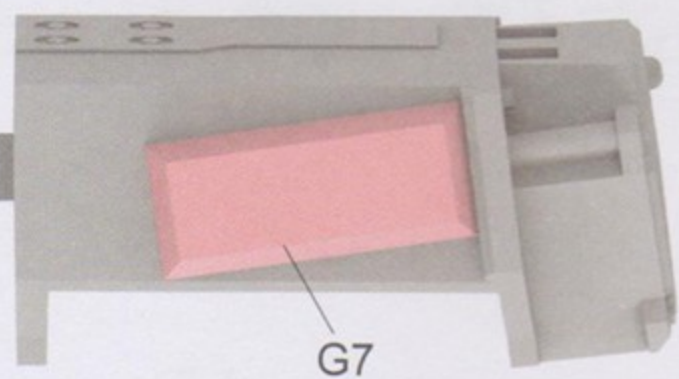
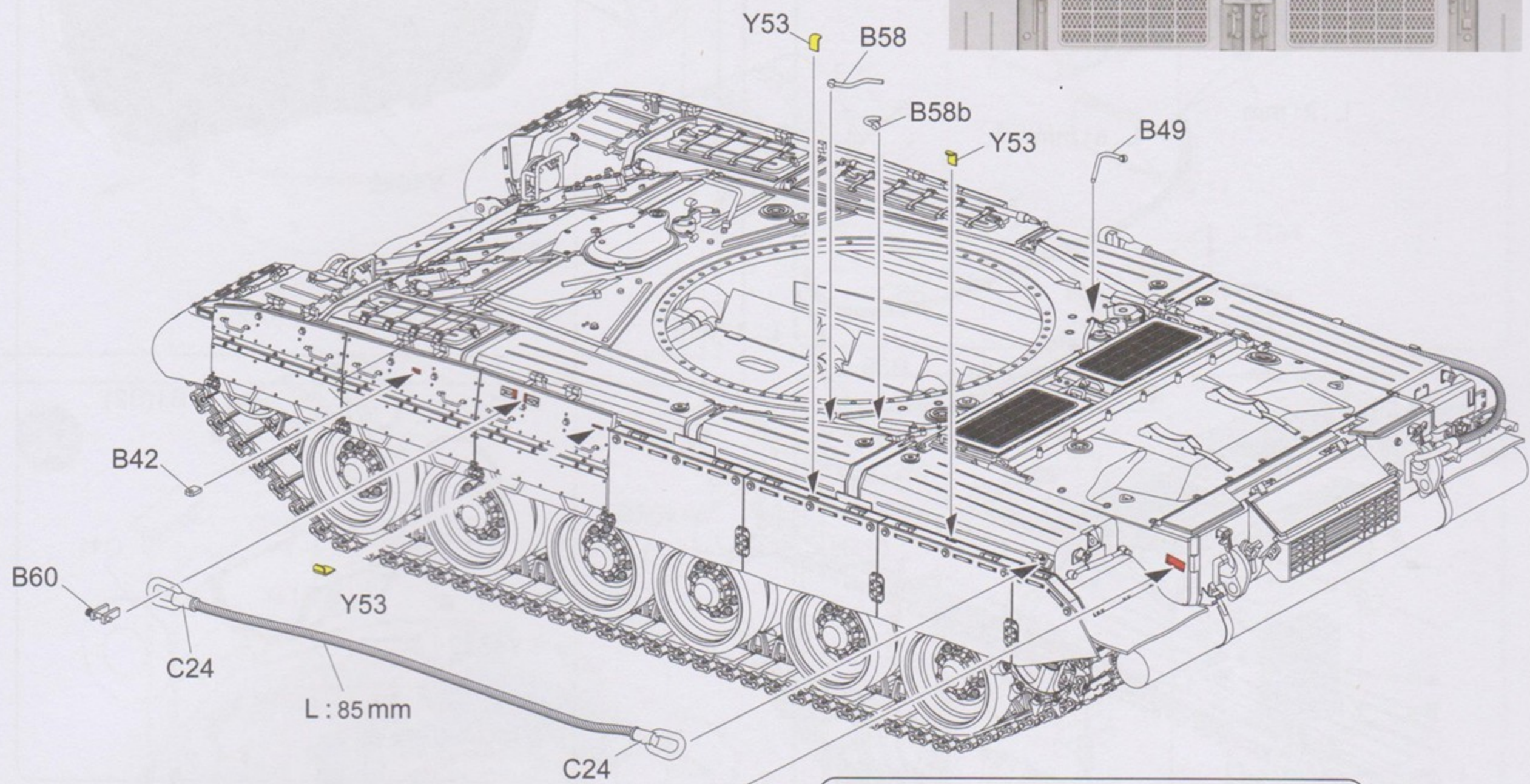
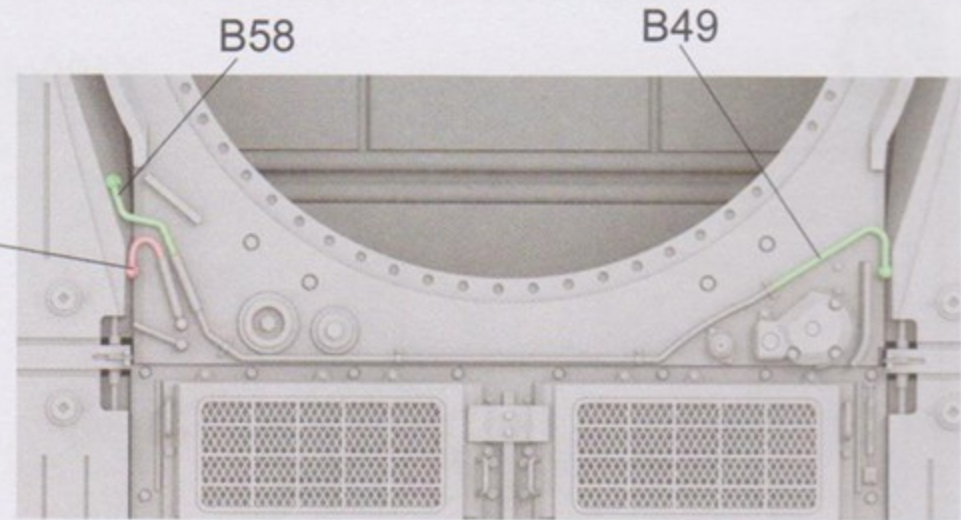
16



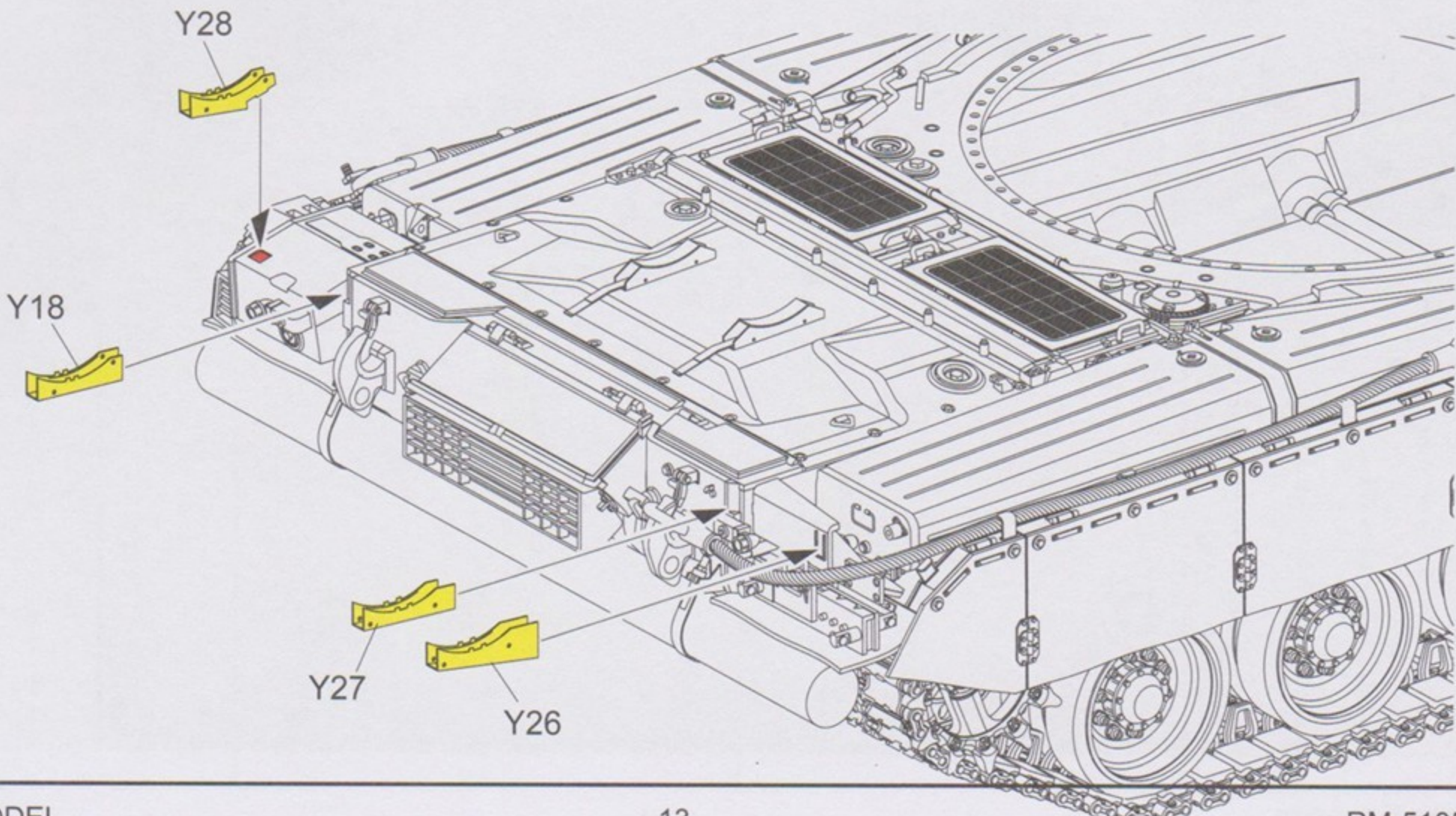
17

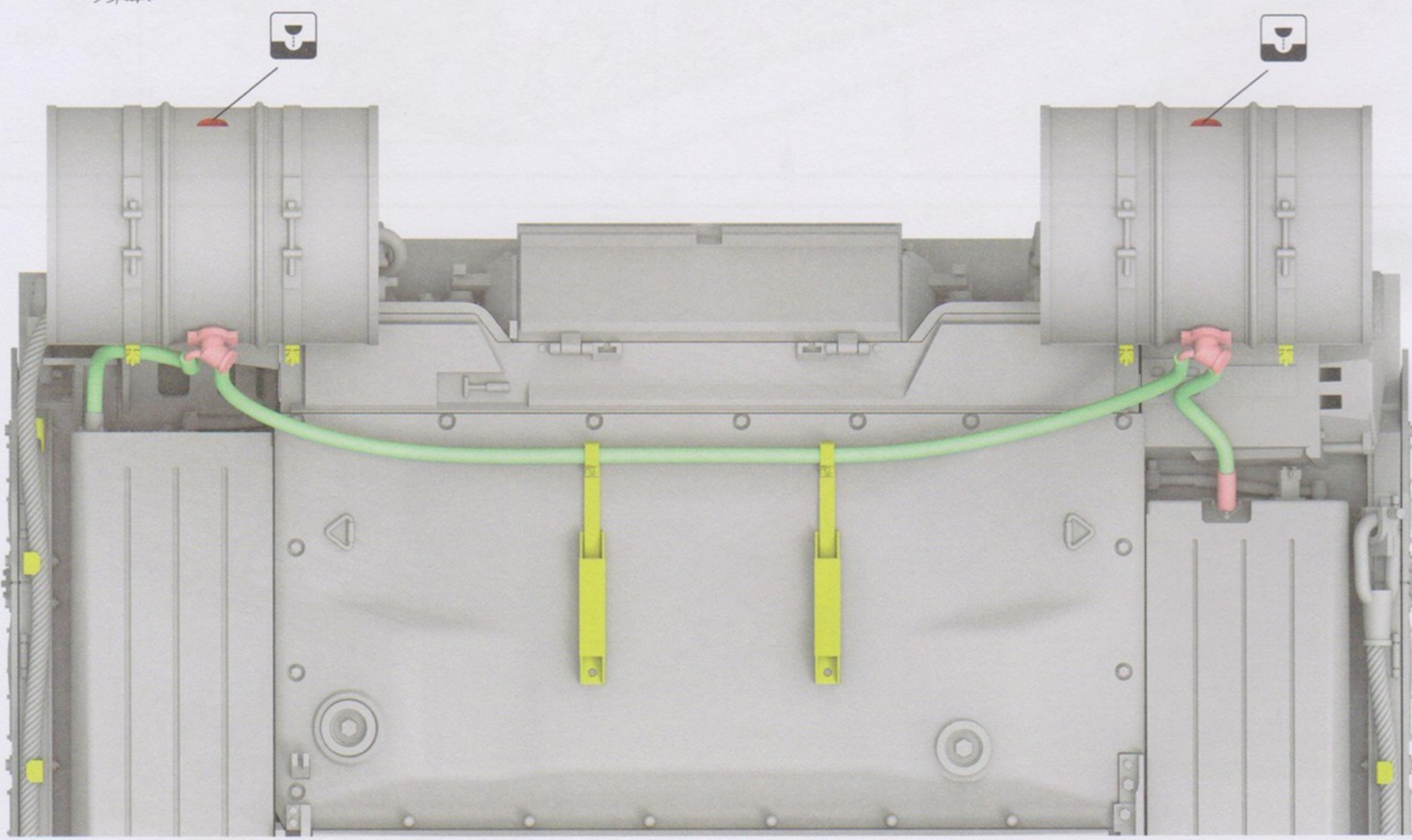
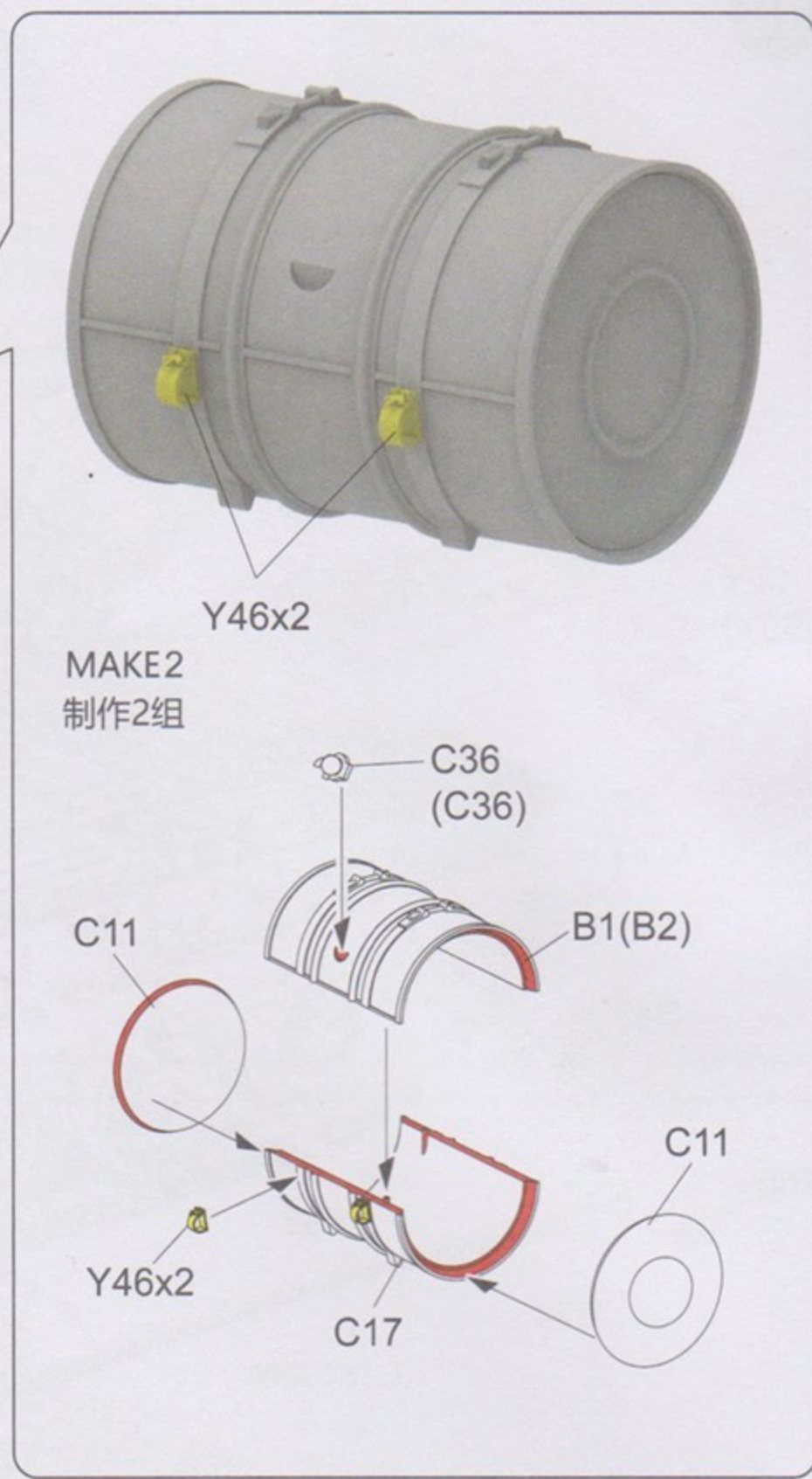
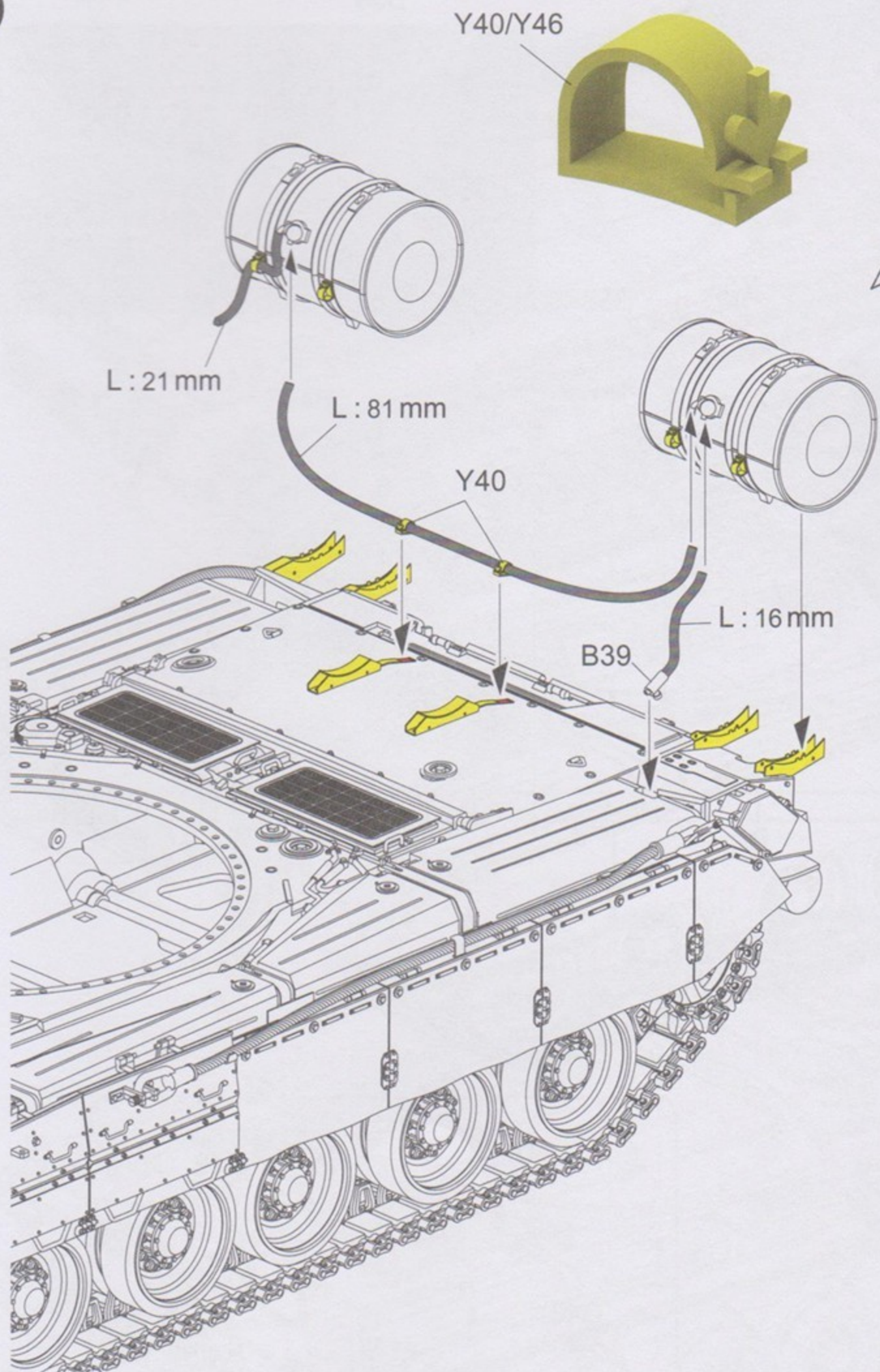


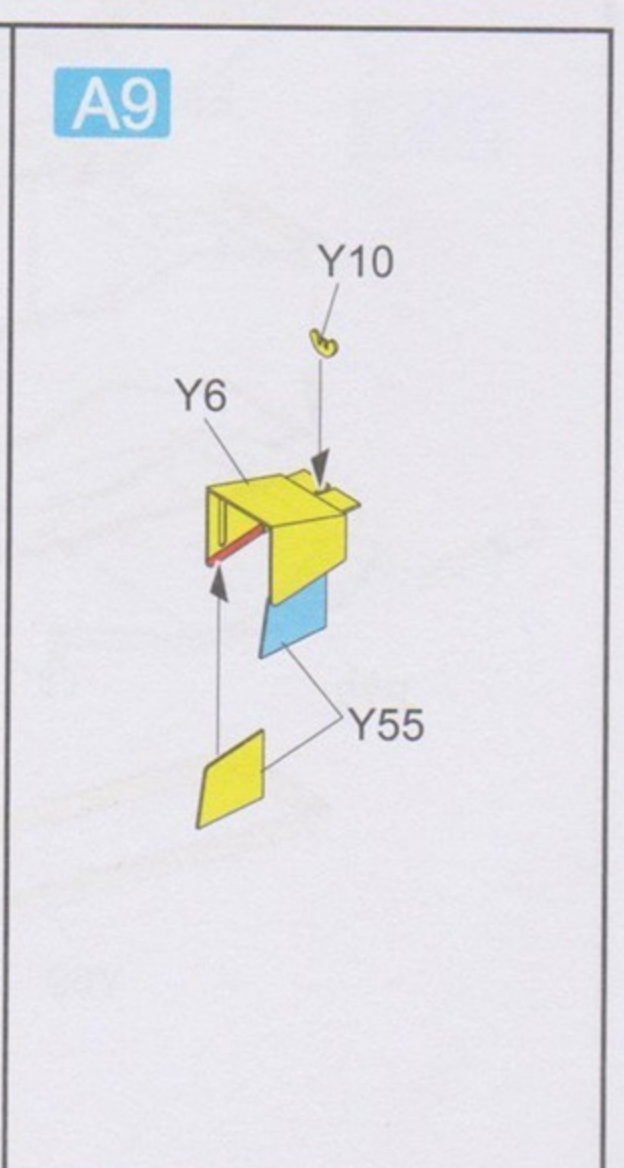
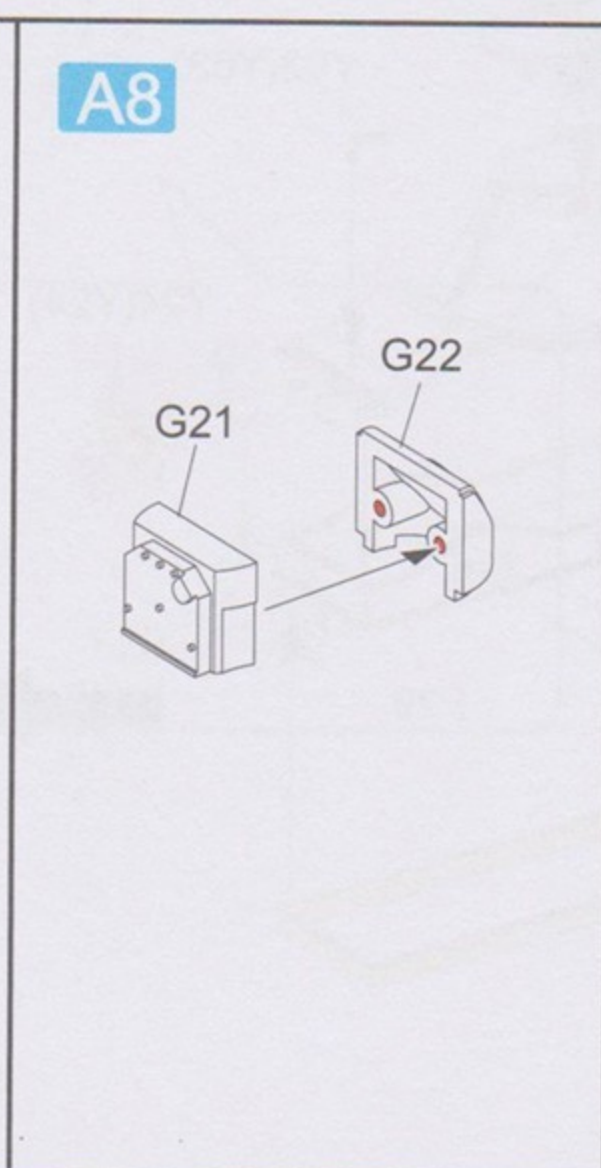
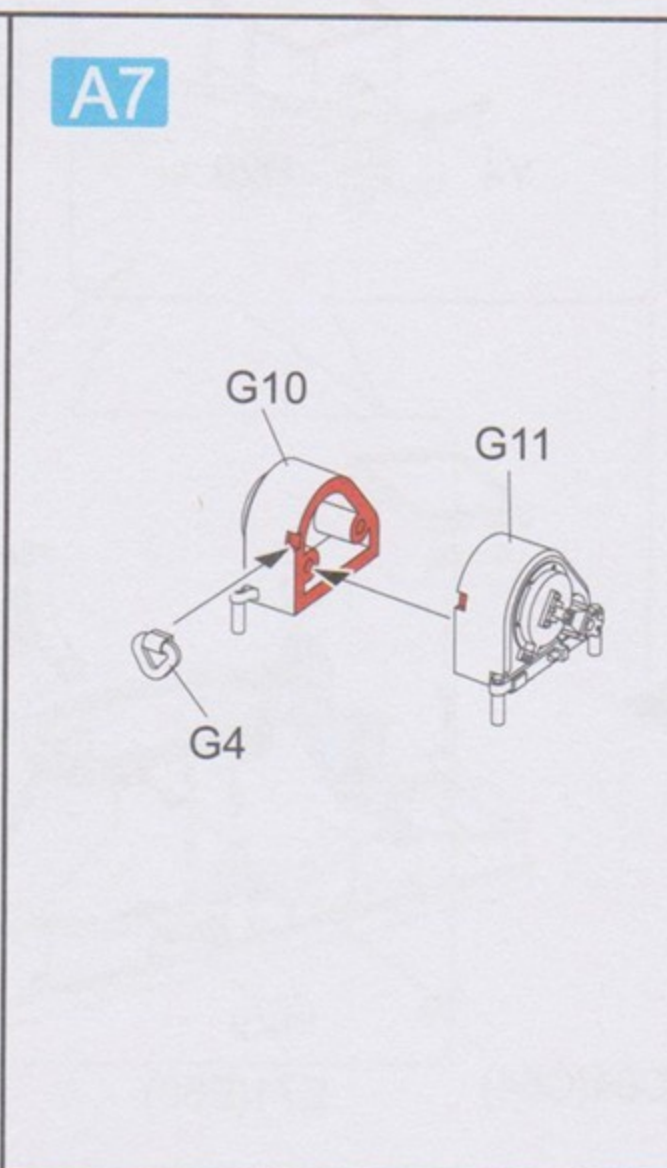
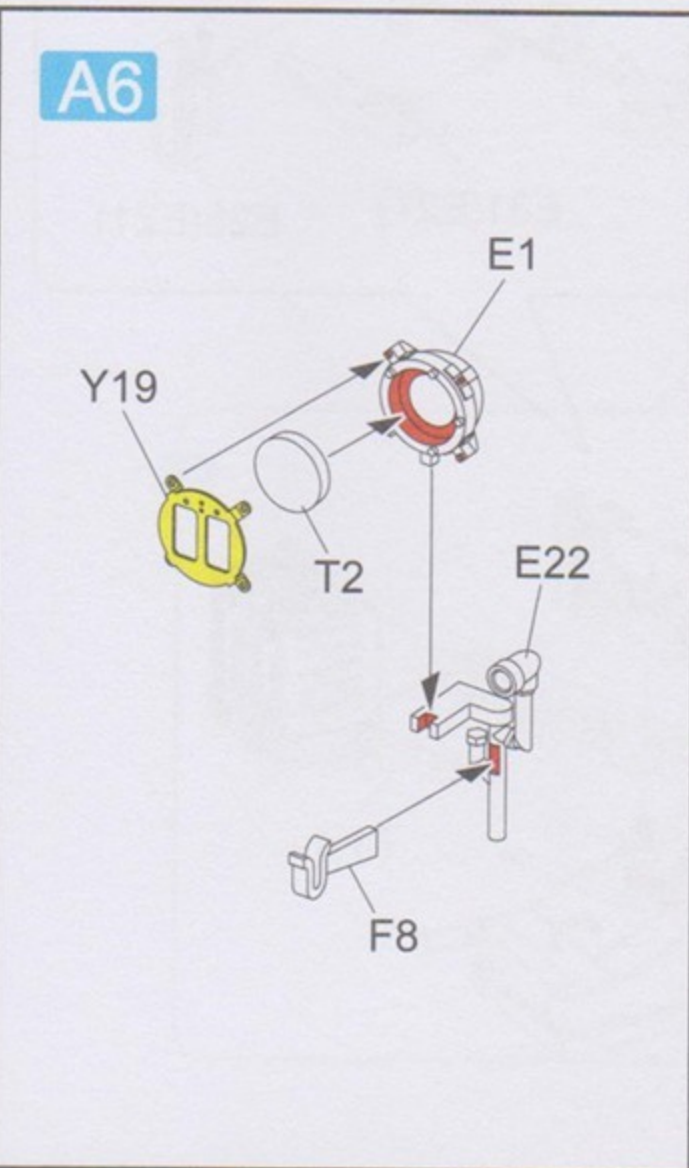
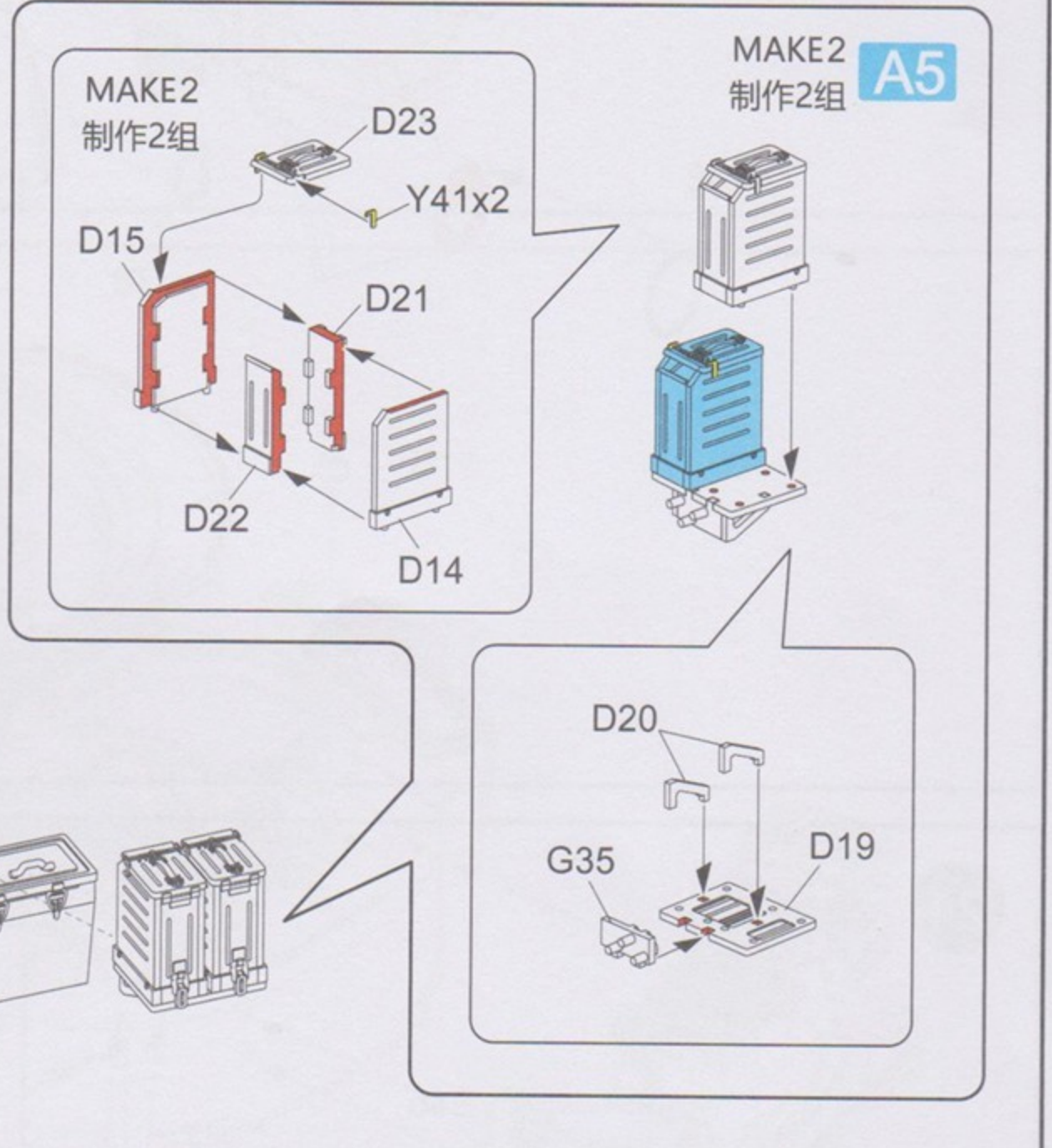
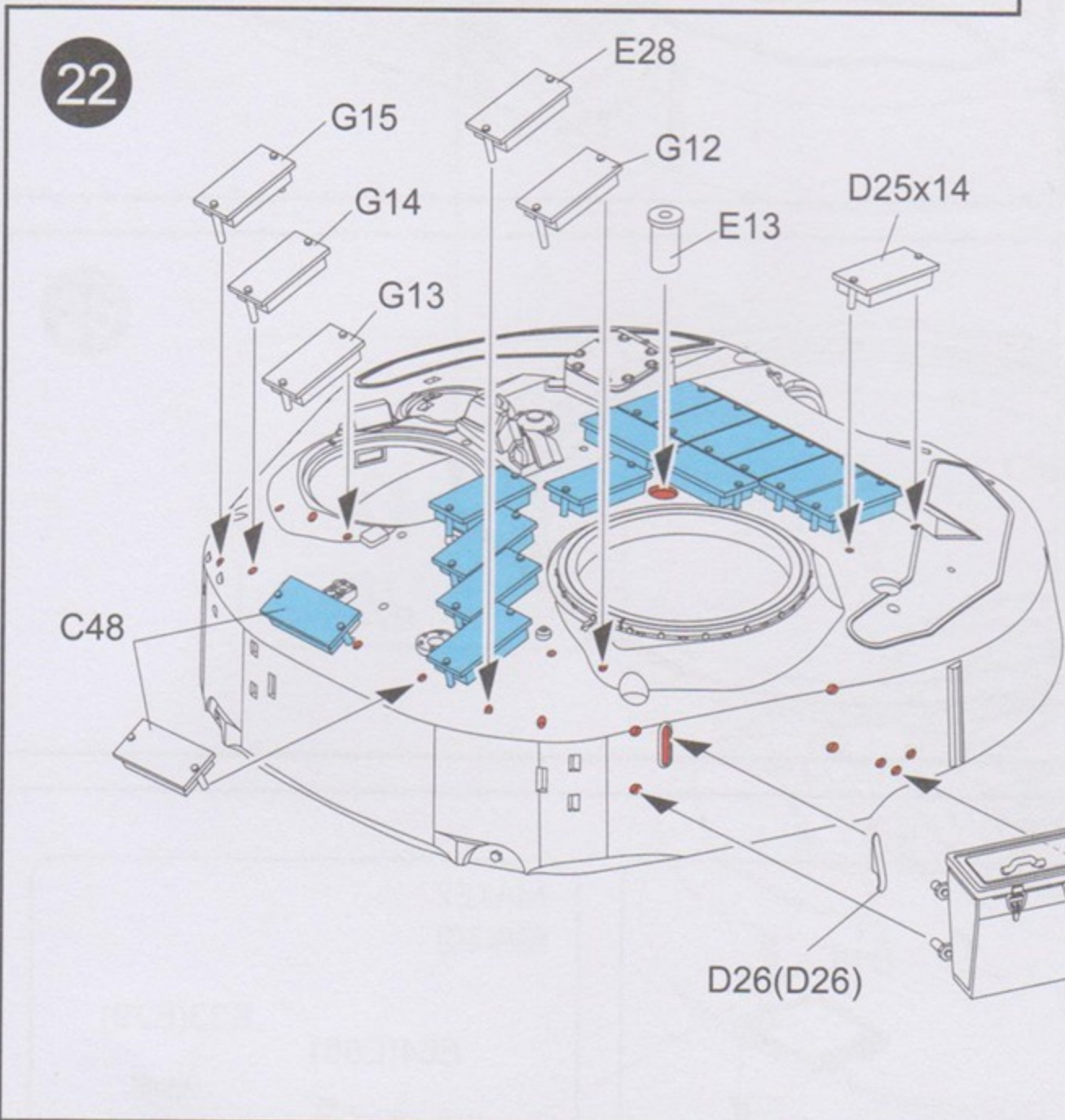
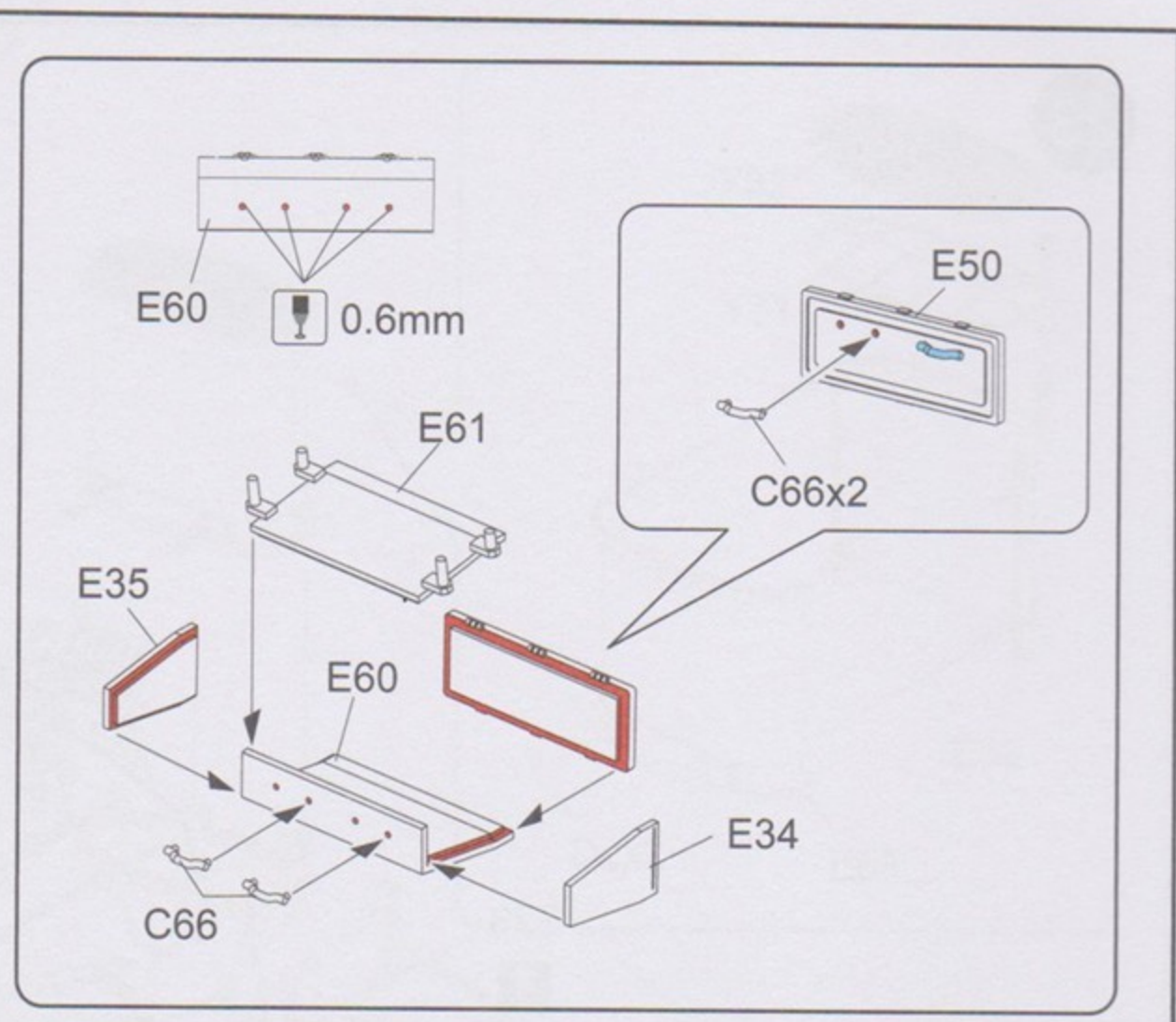
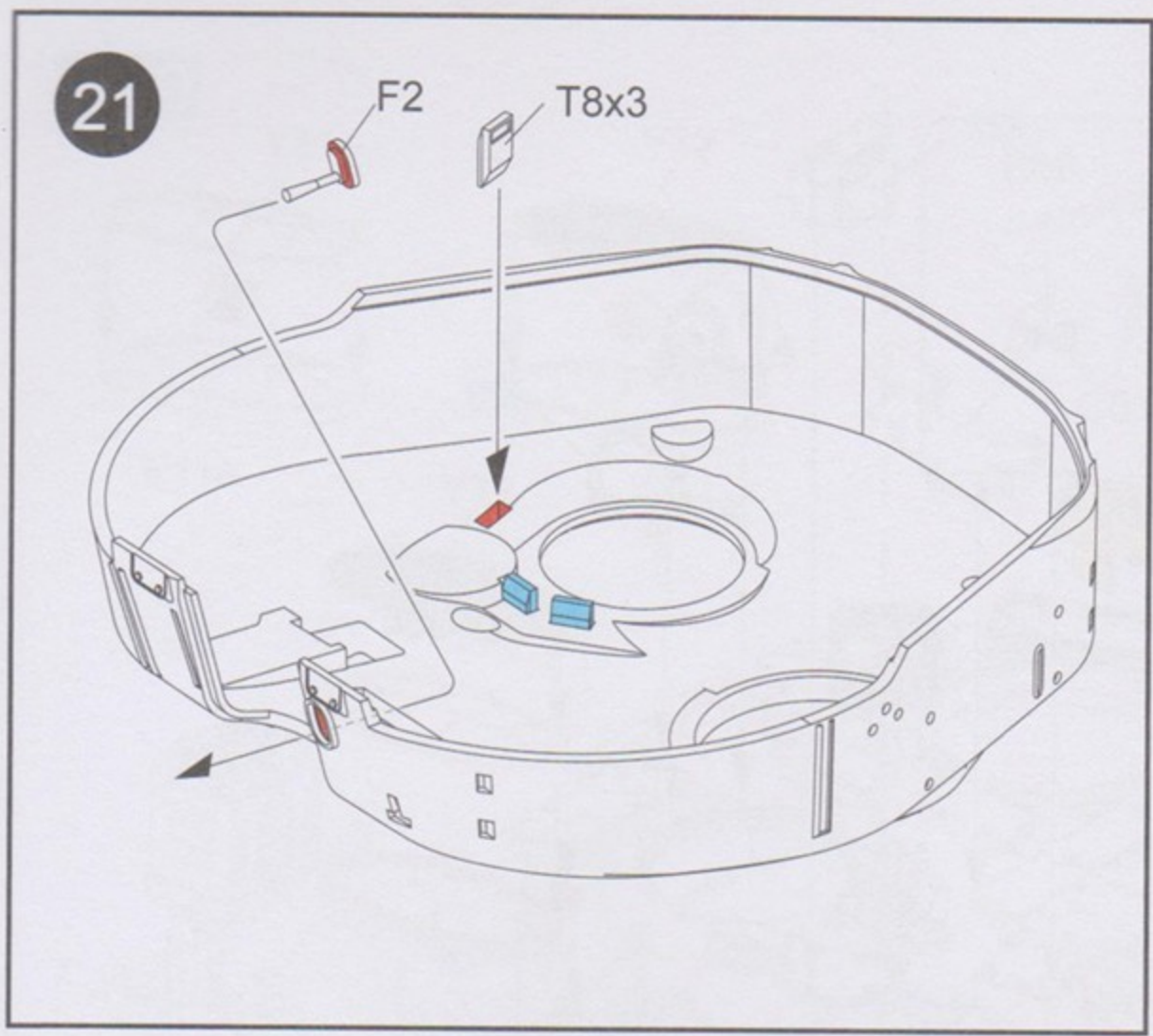
18



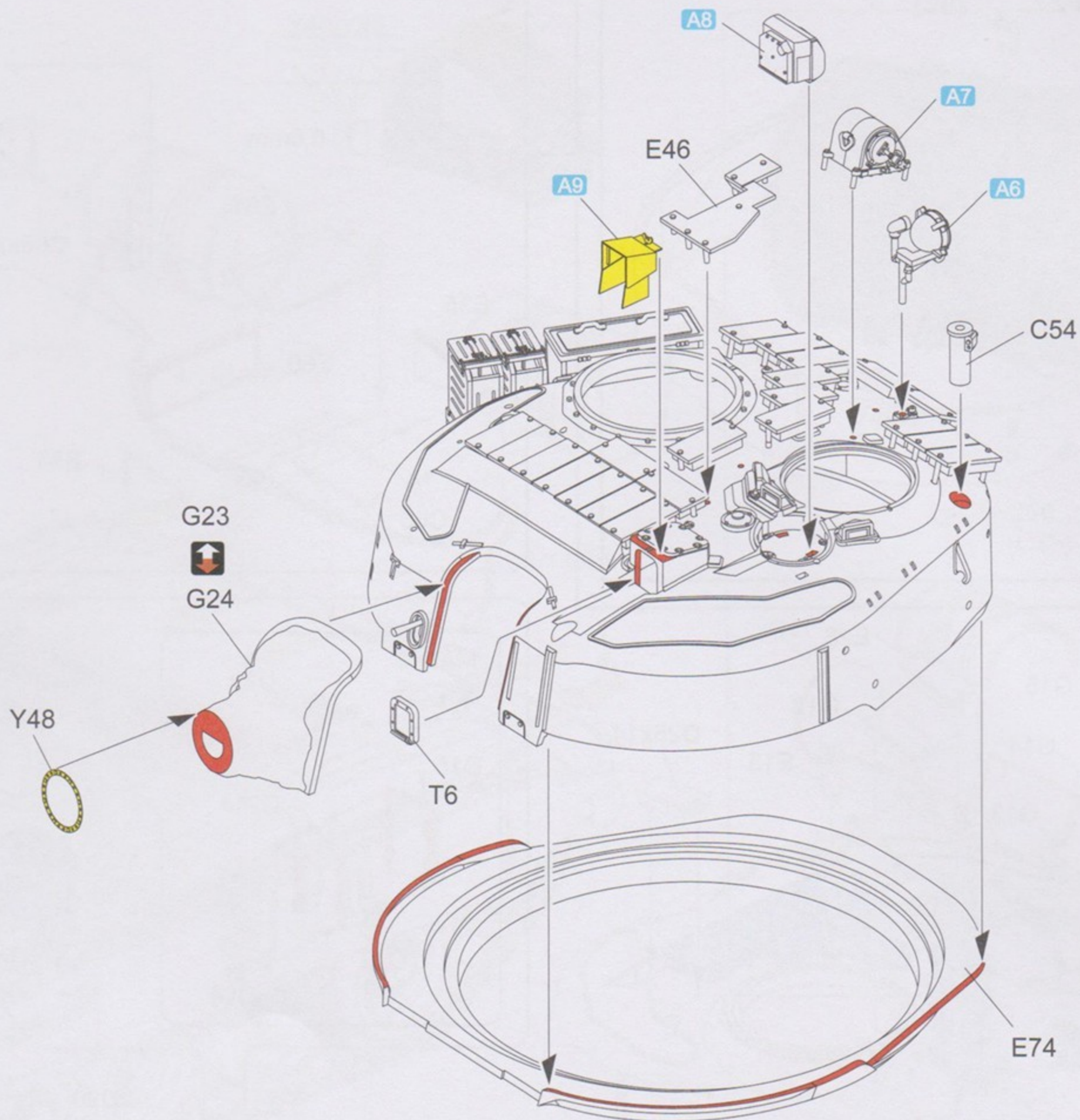
19



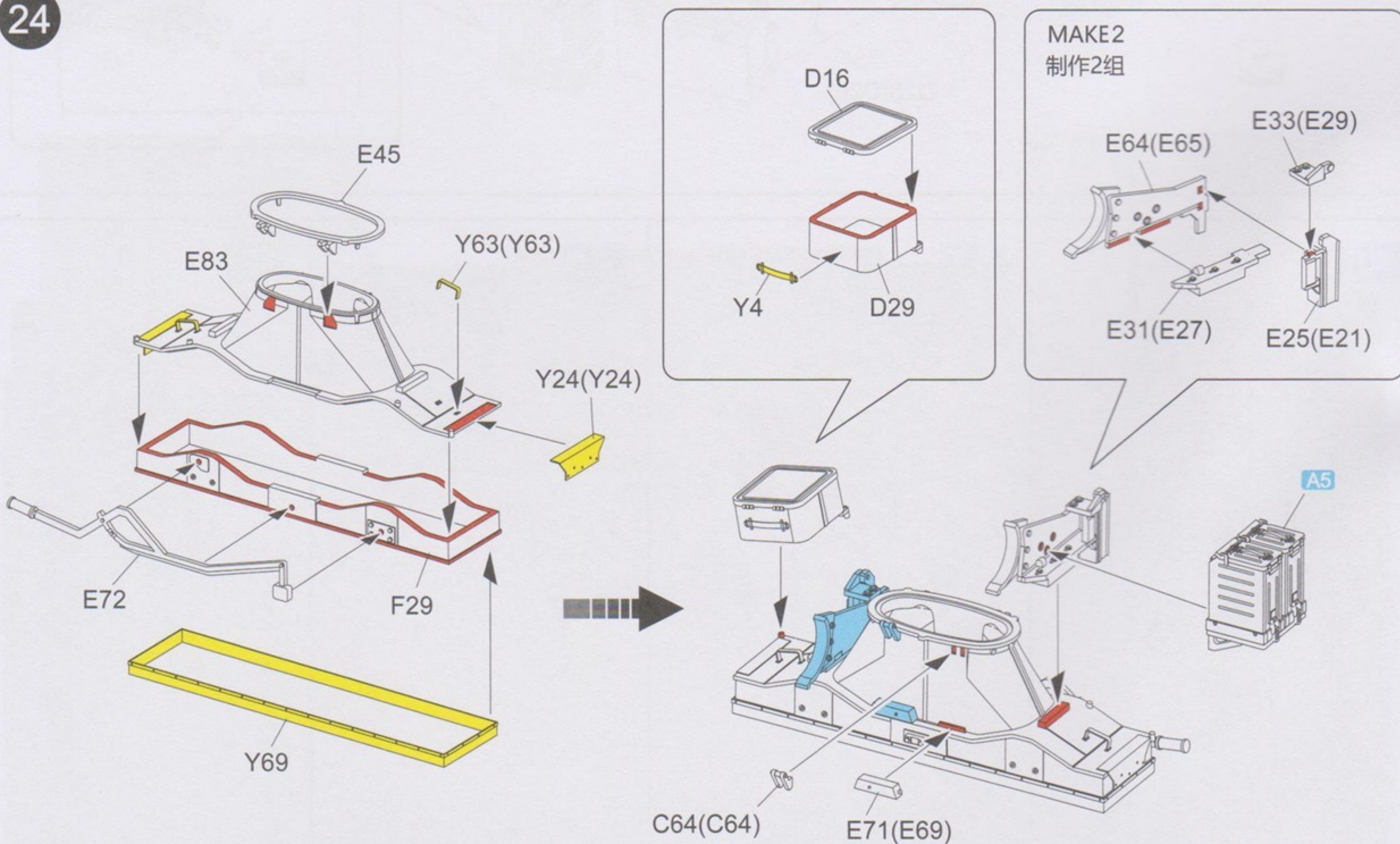




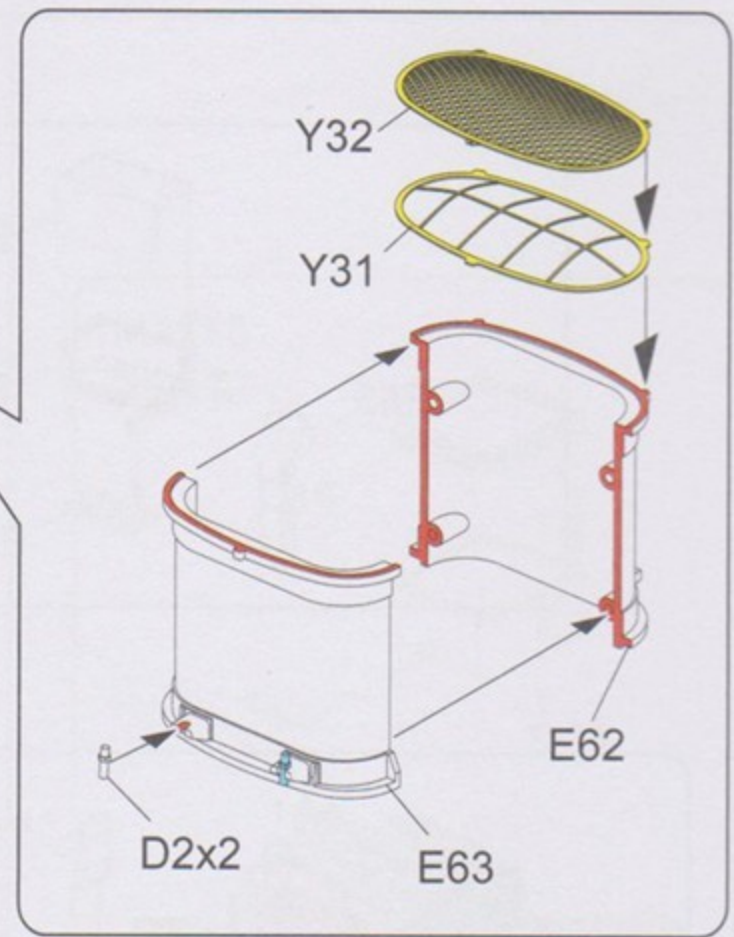
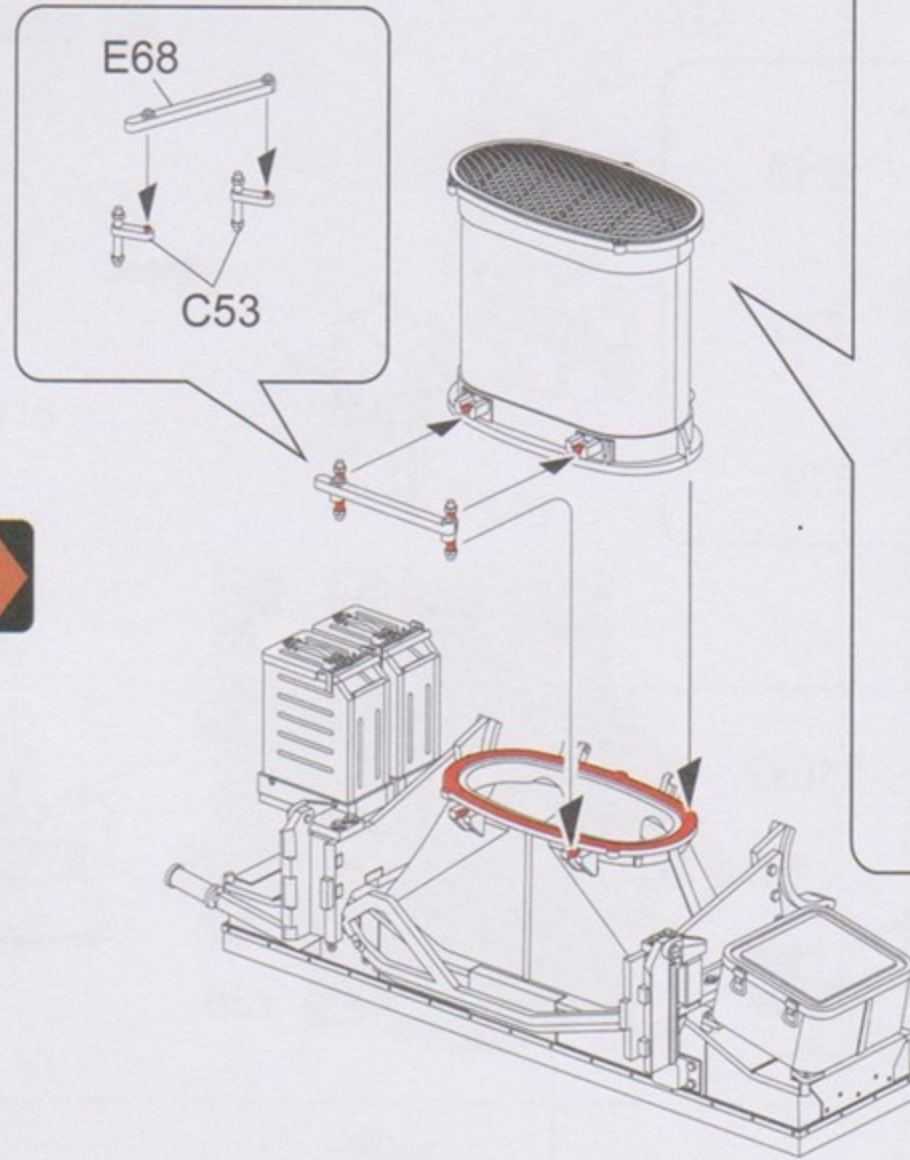
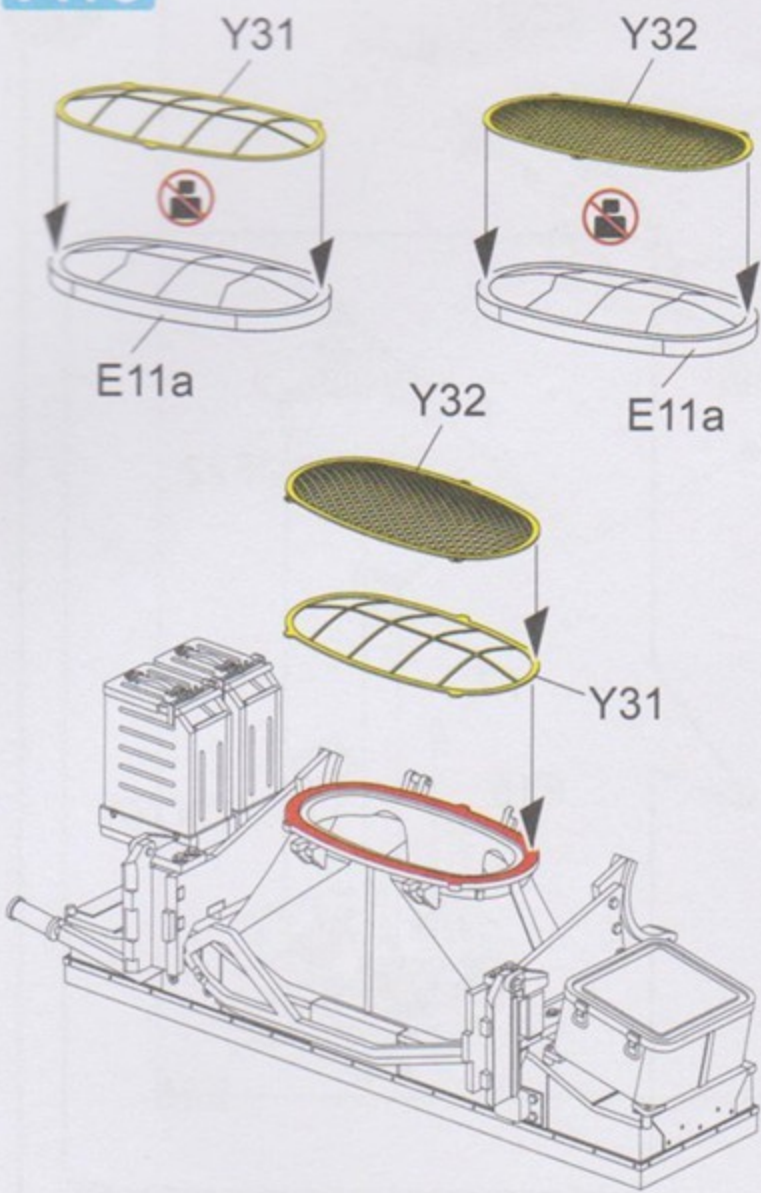
23



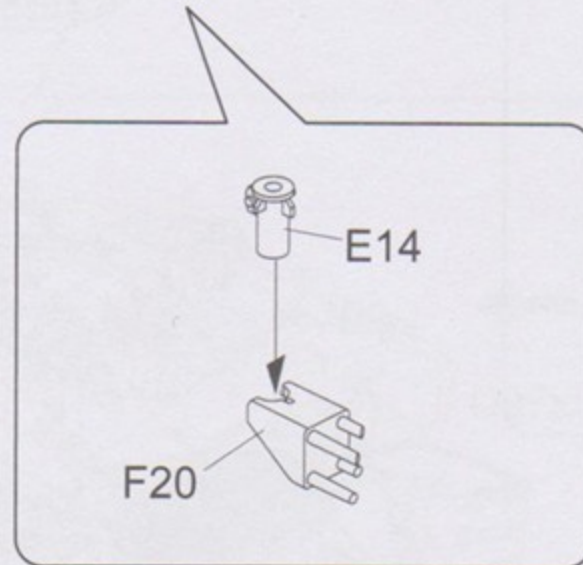
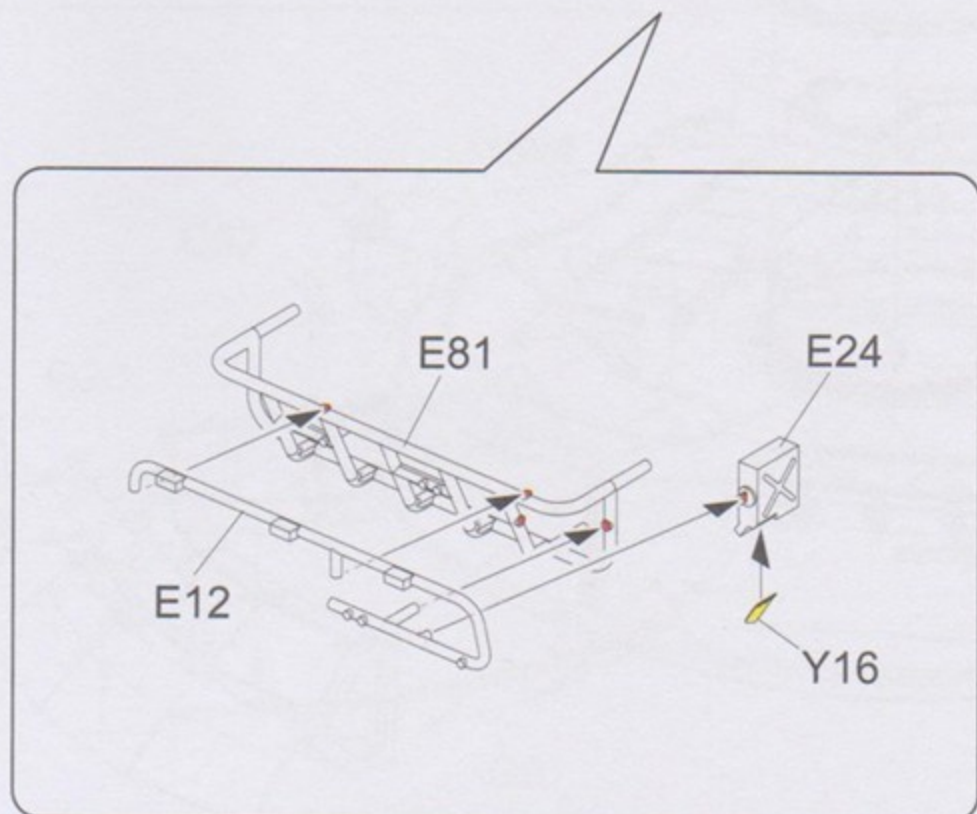
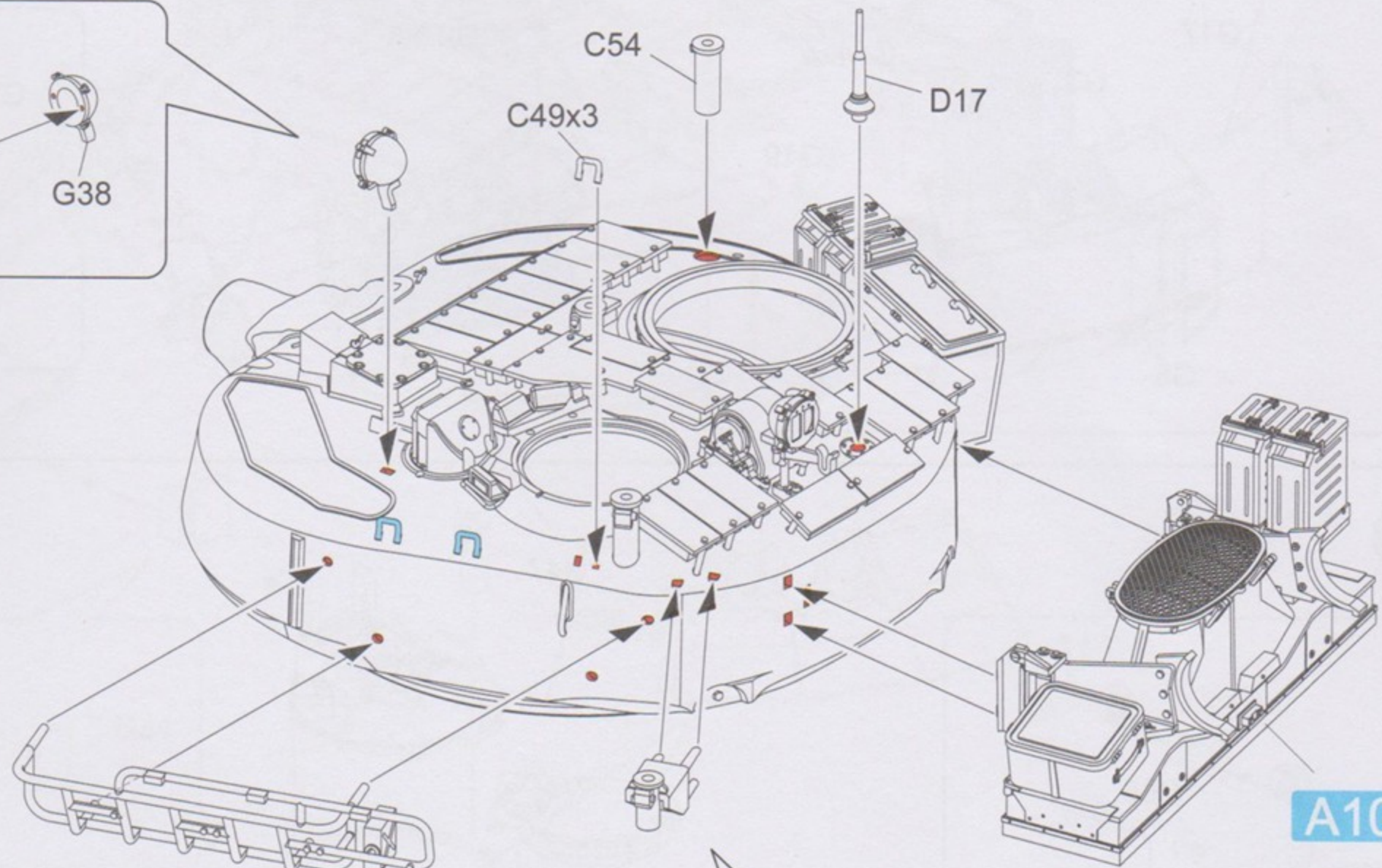
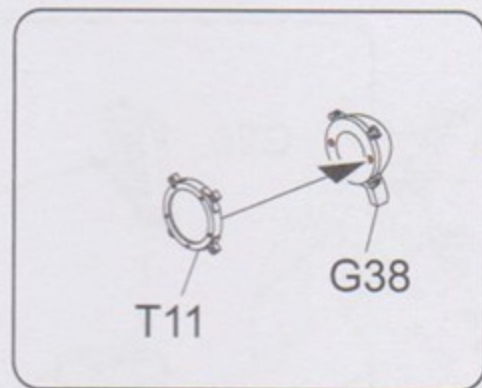
24

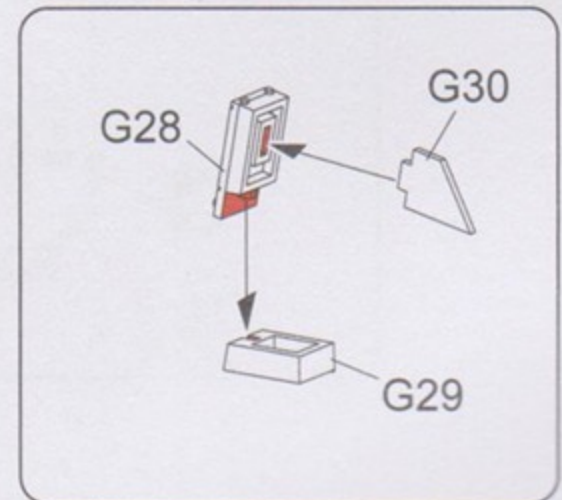
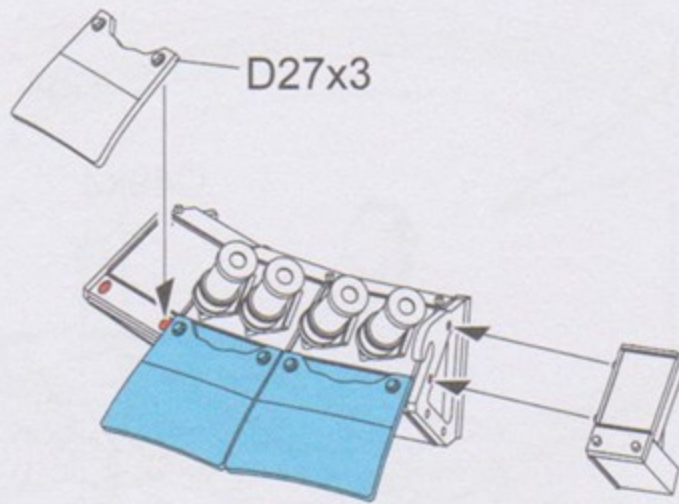
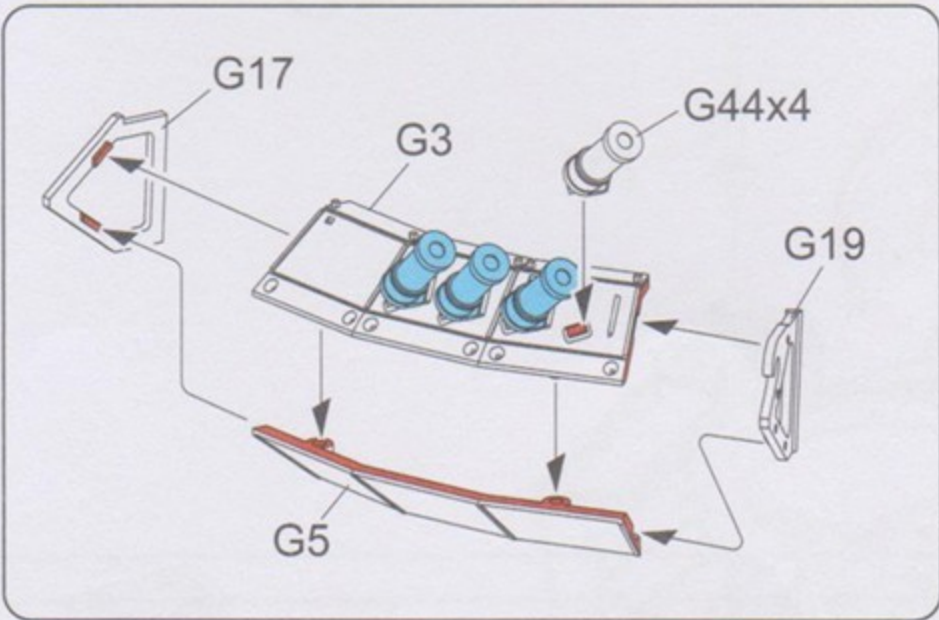
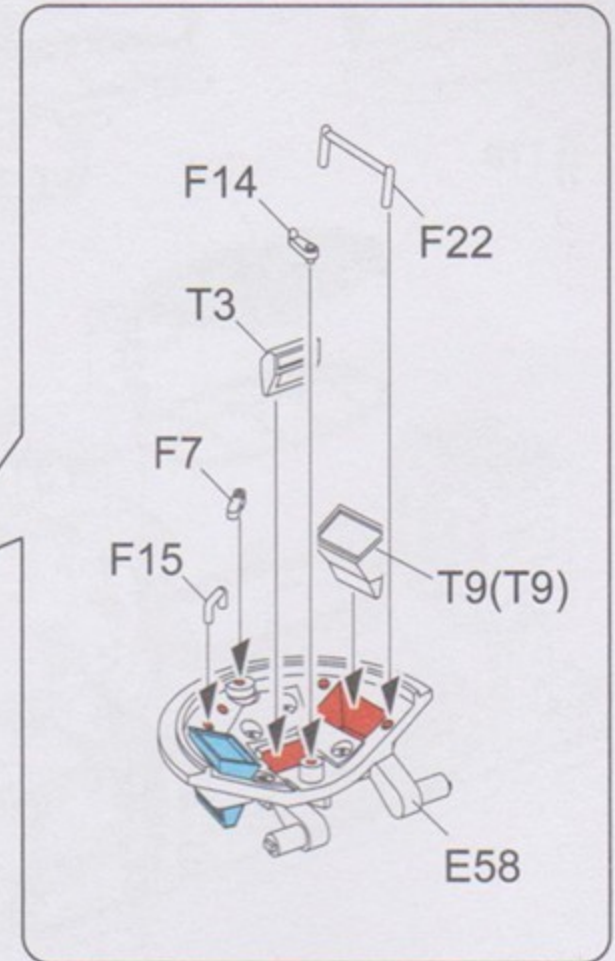
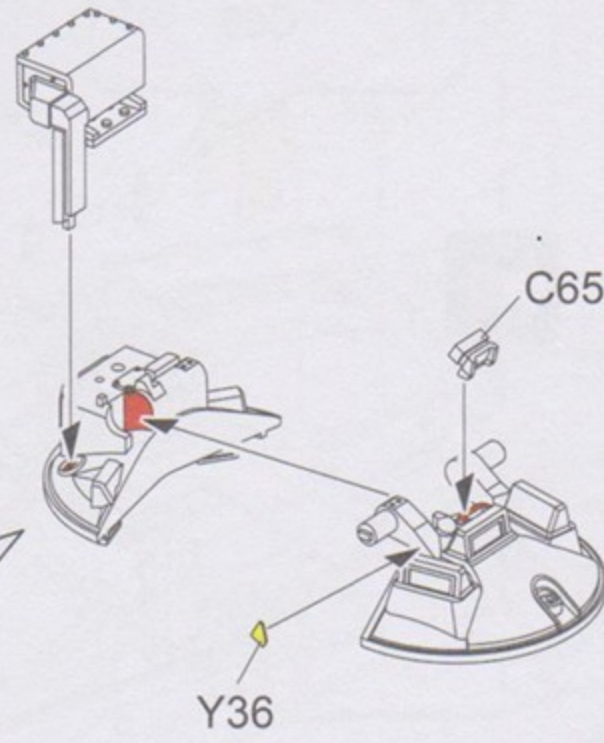
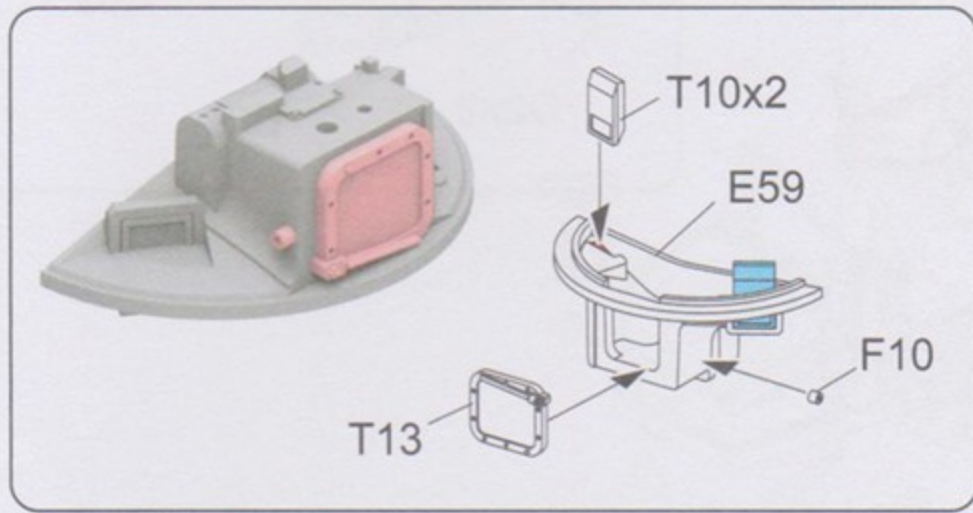
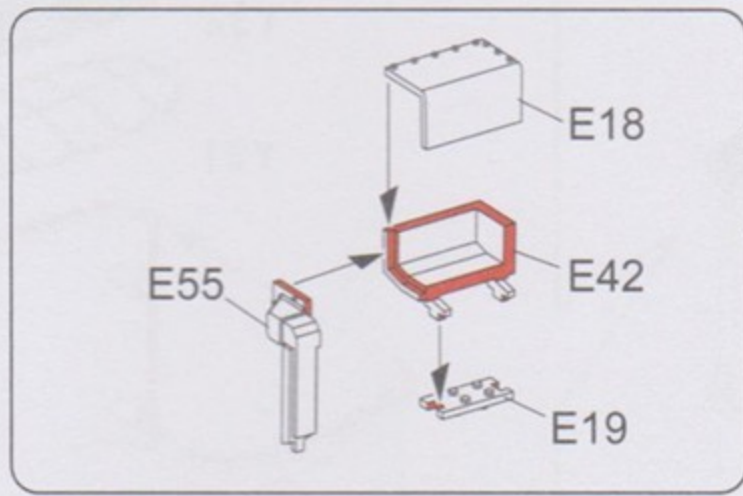


A10

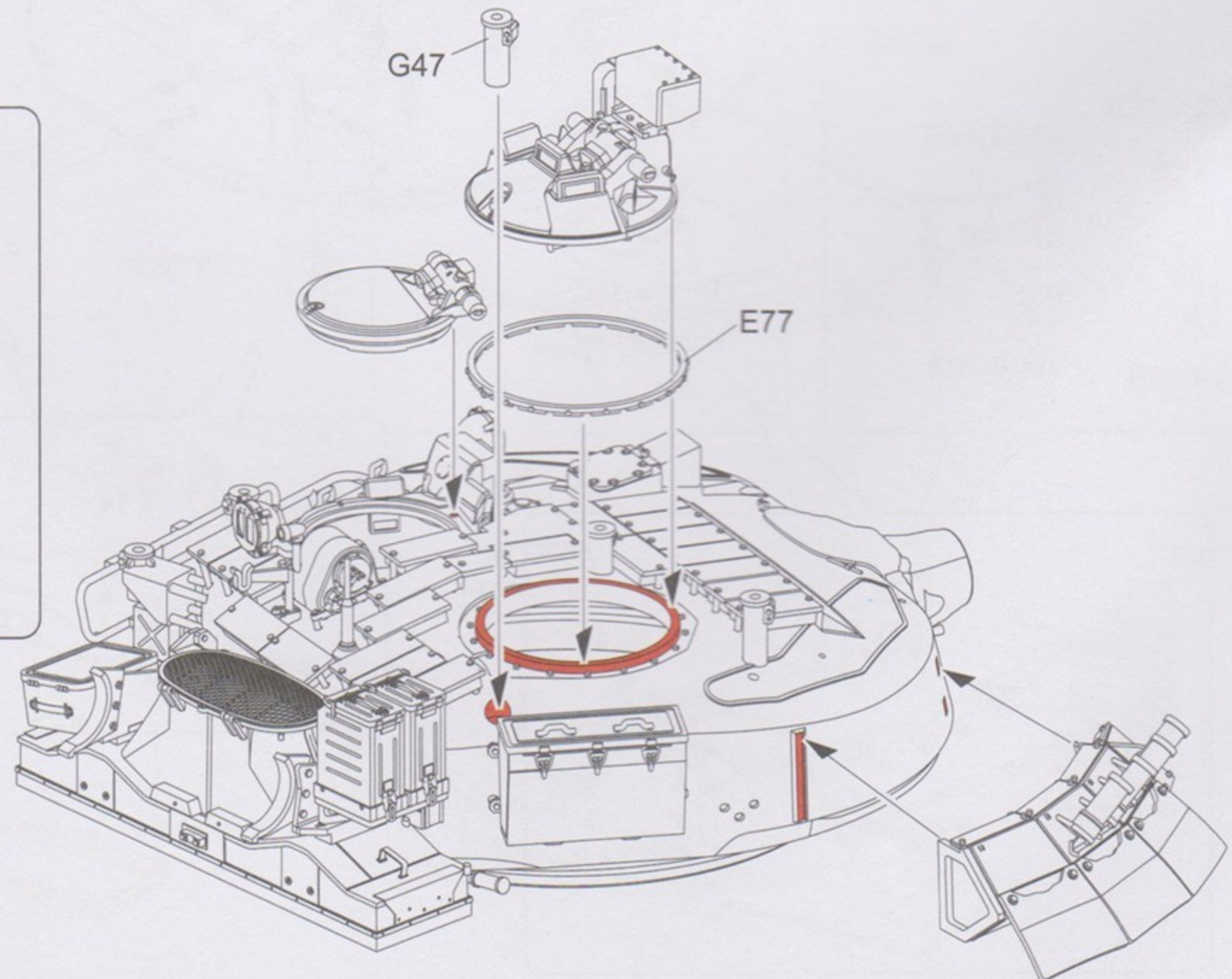
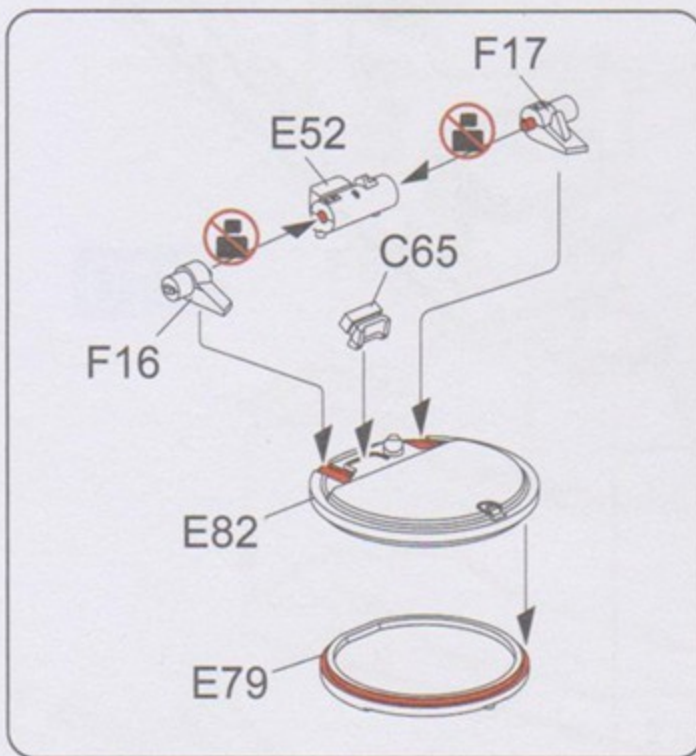


25

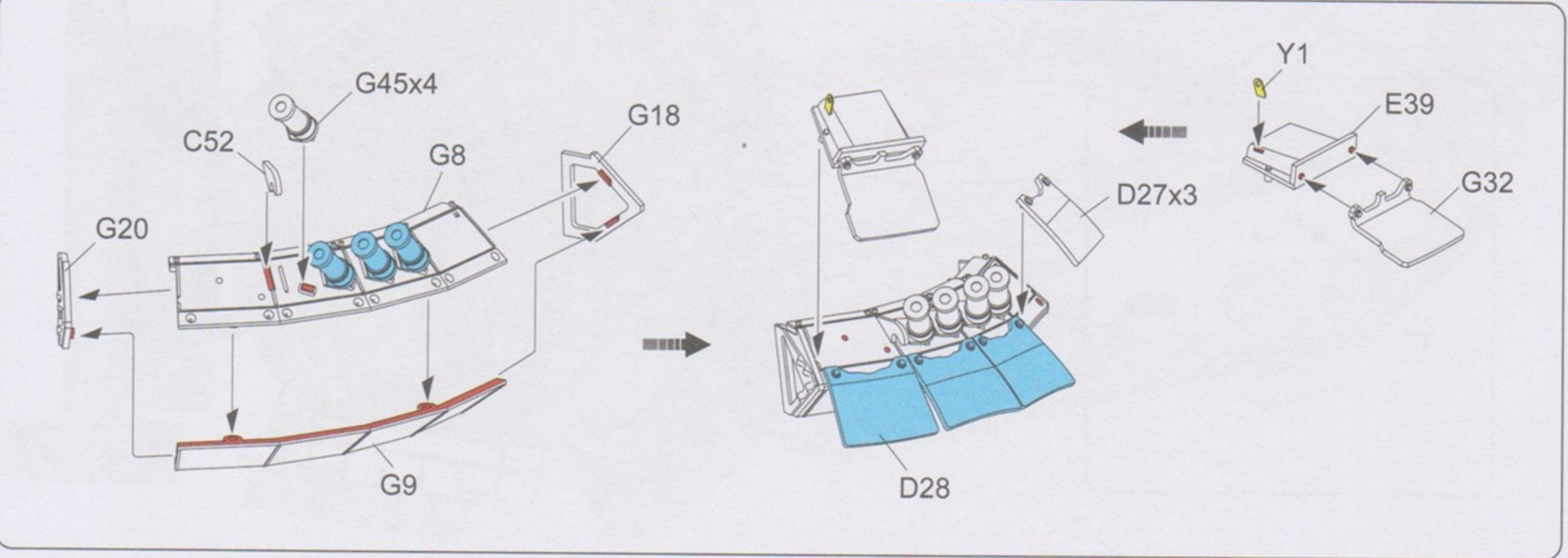
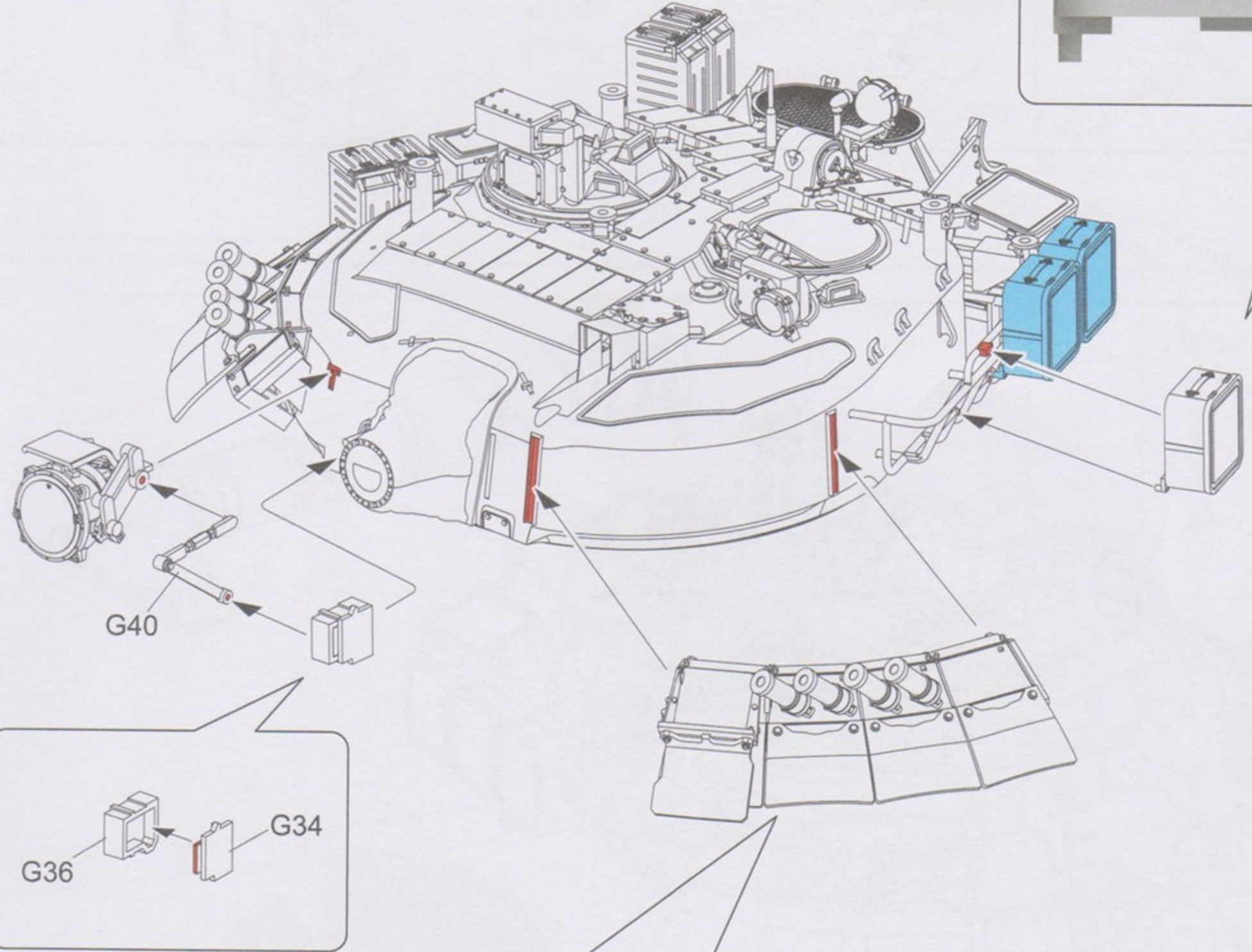
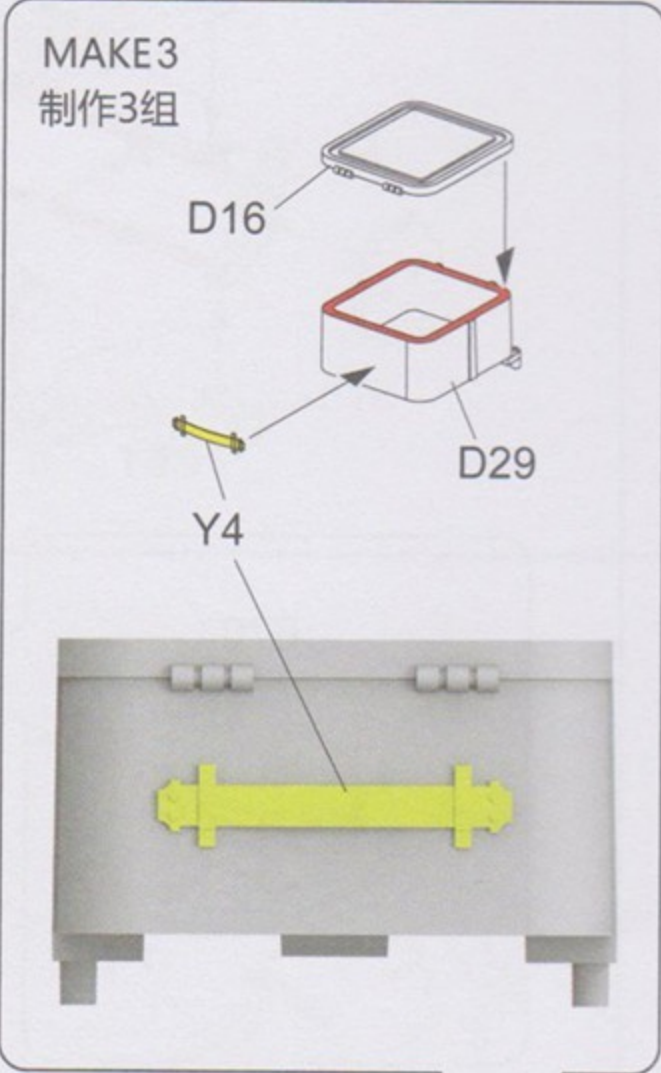
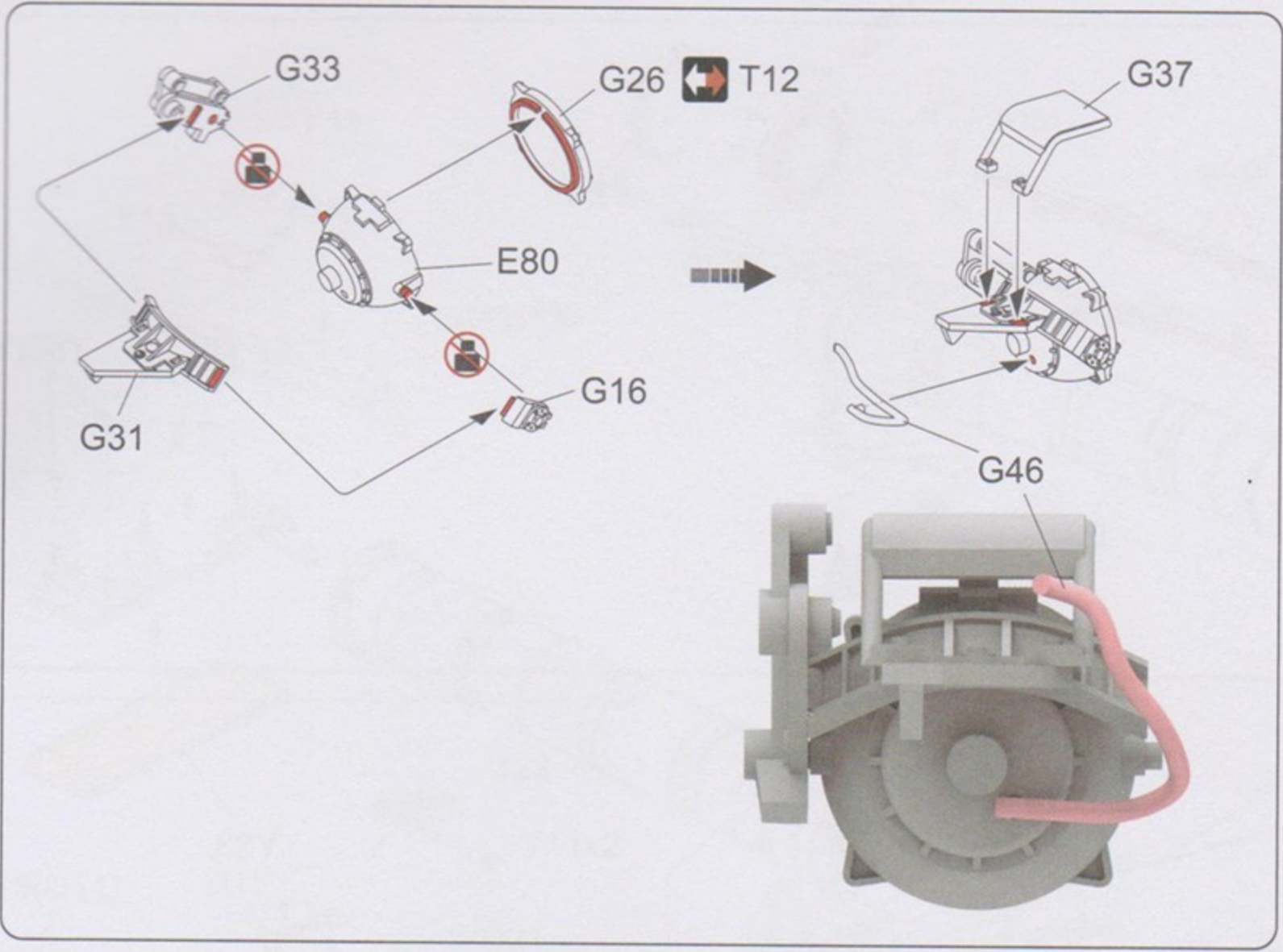


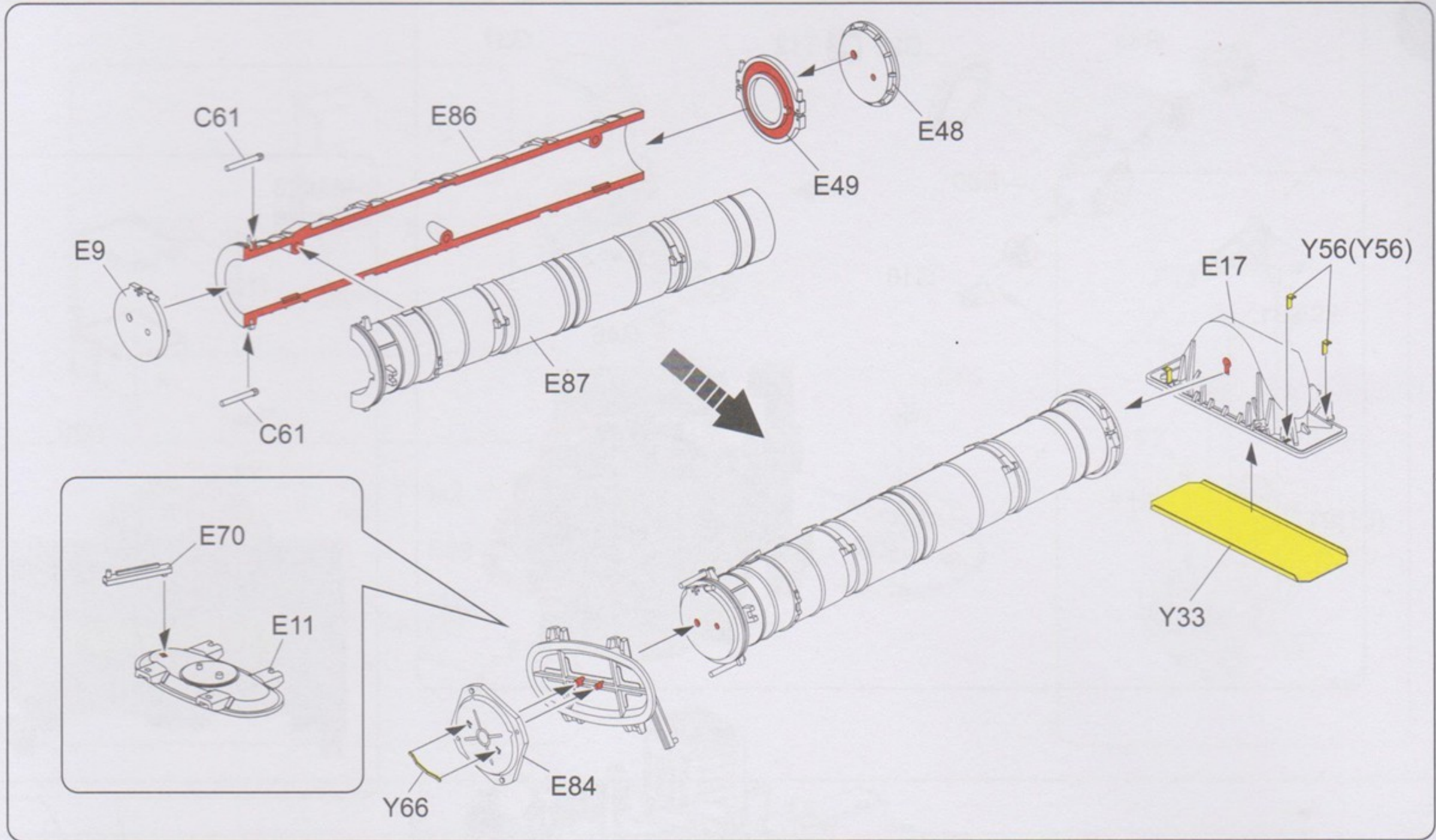


26

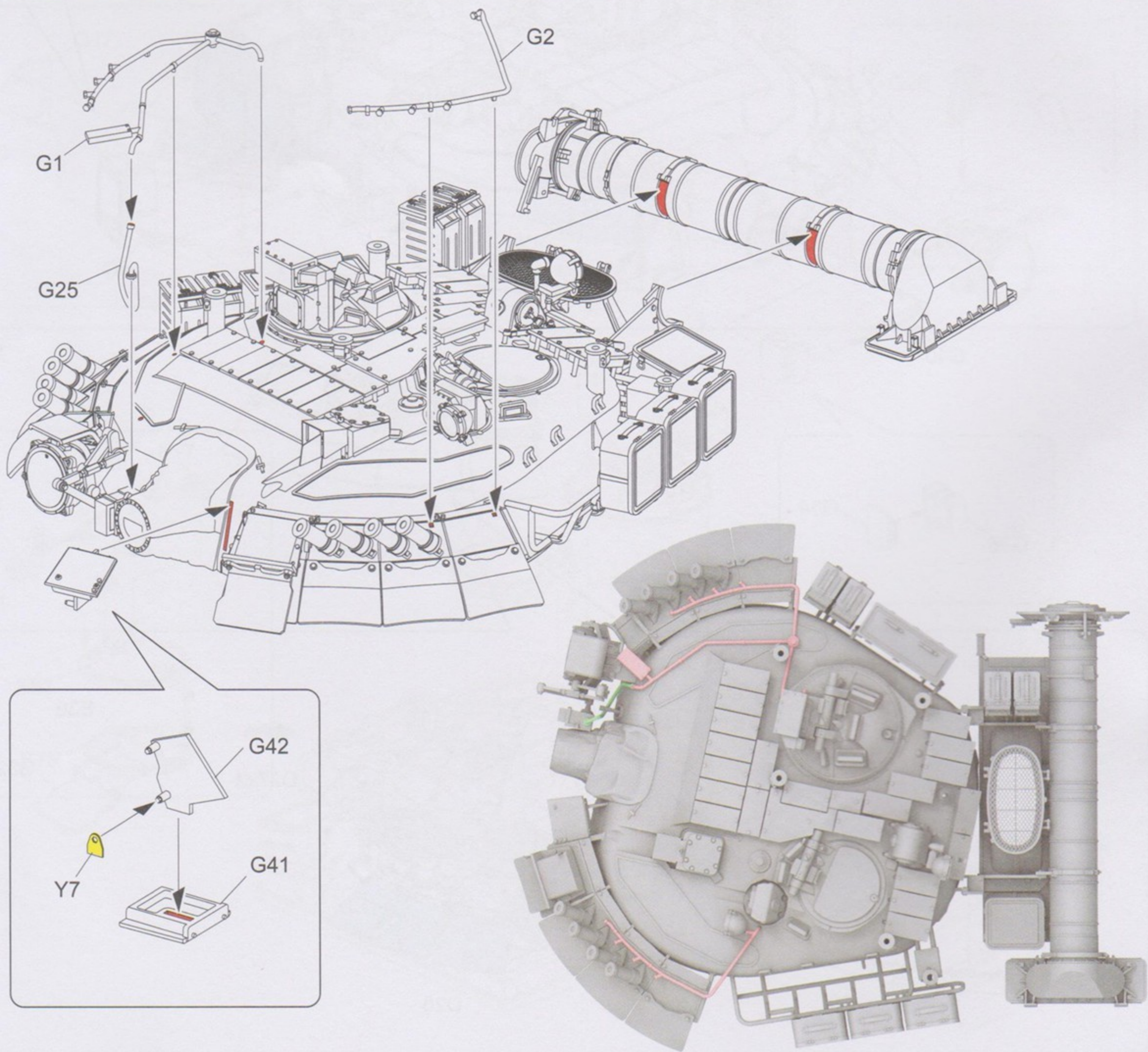


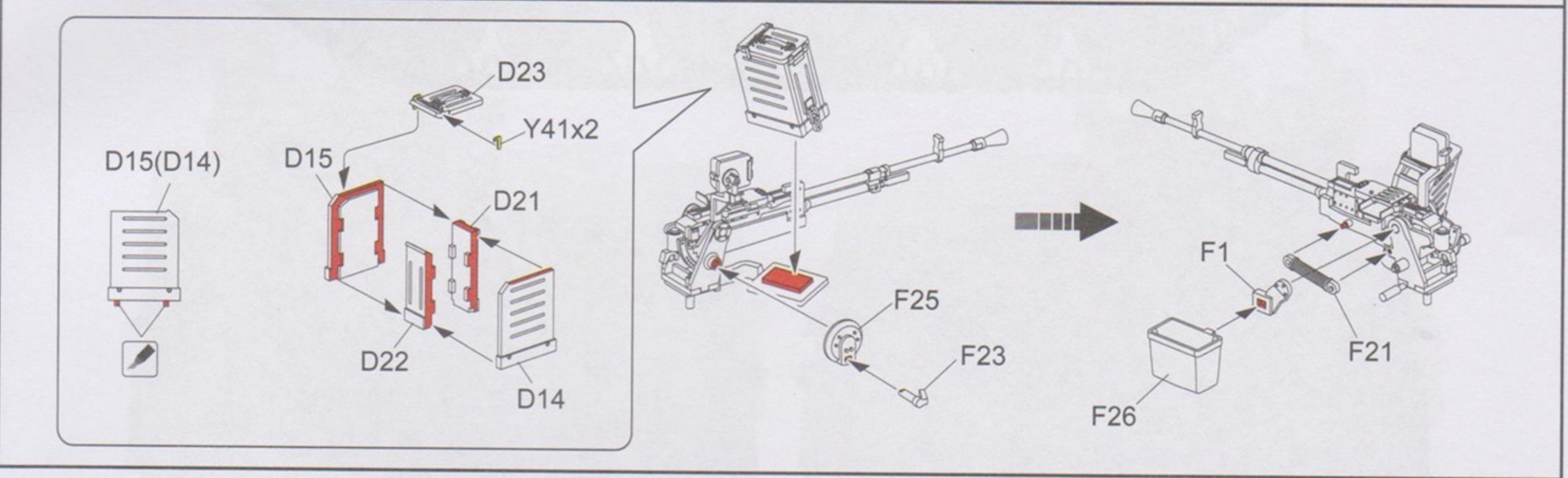
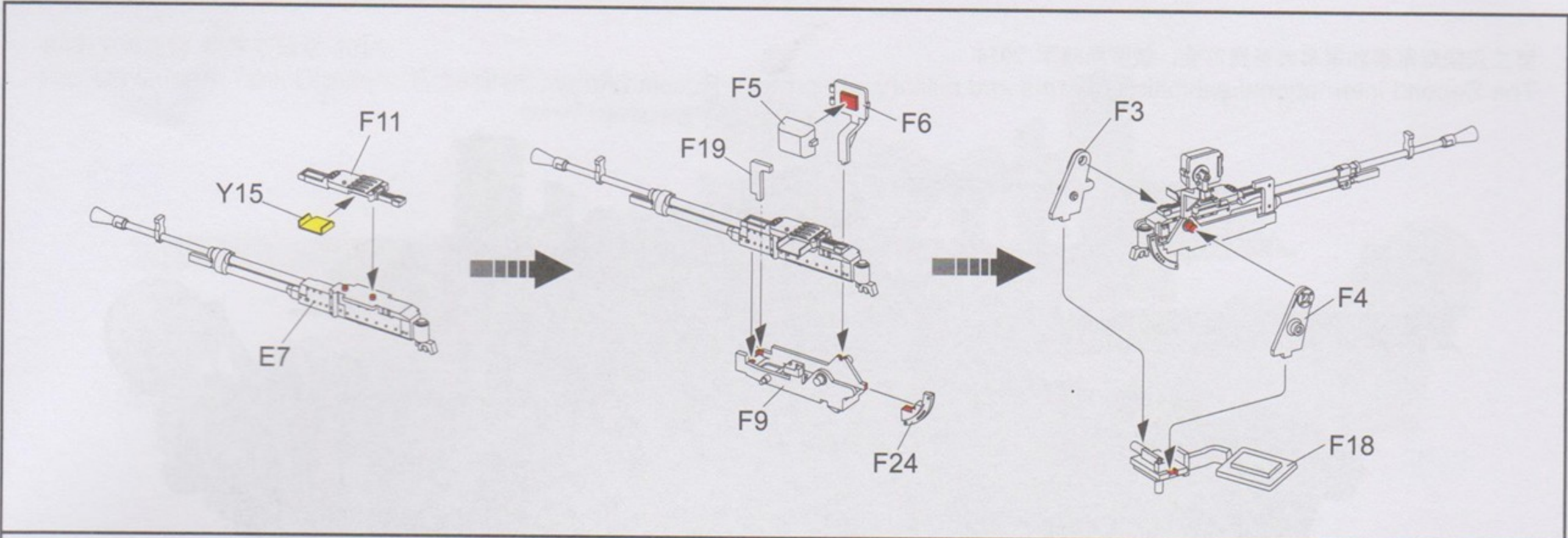
27



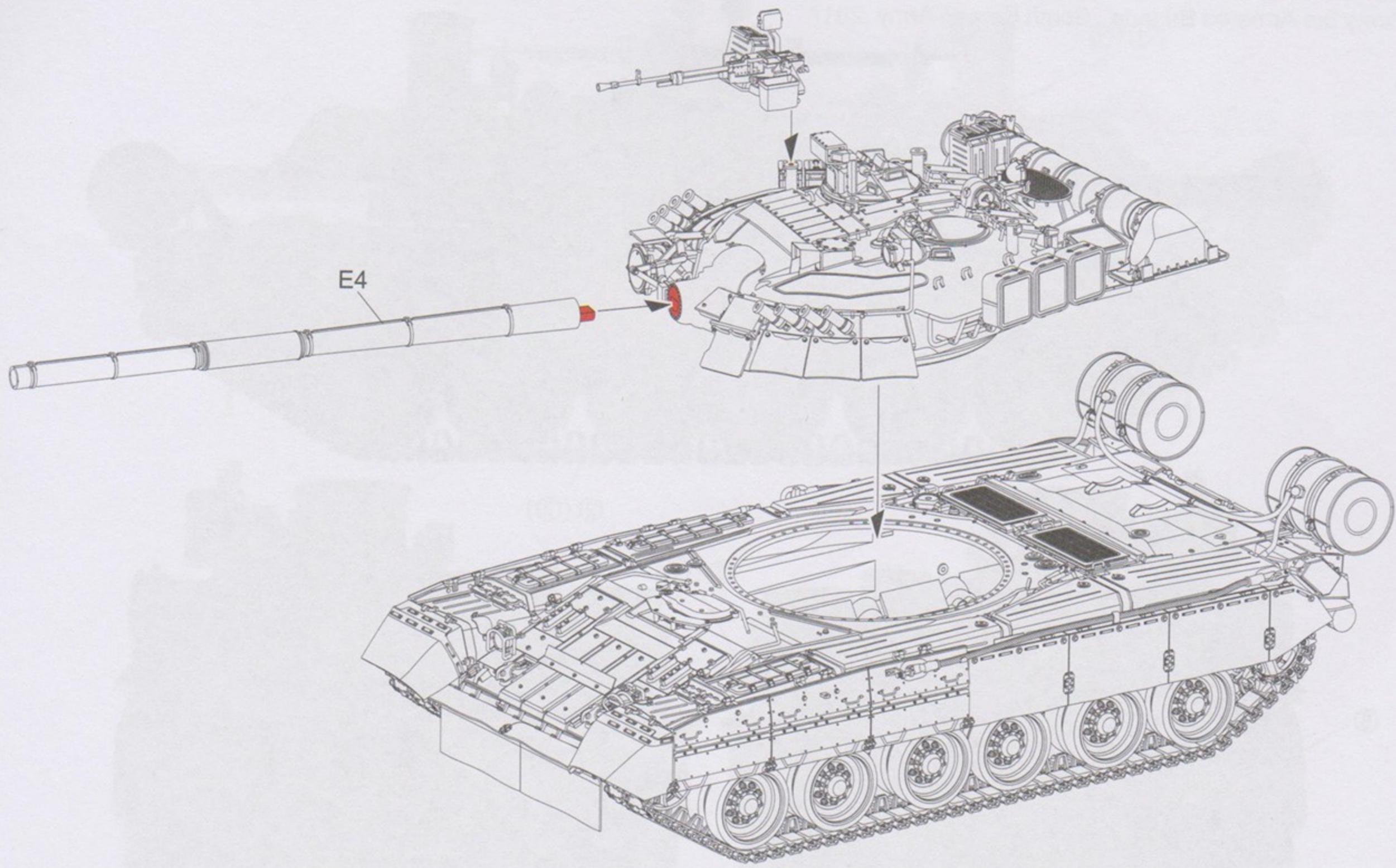


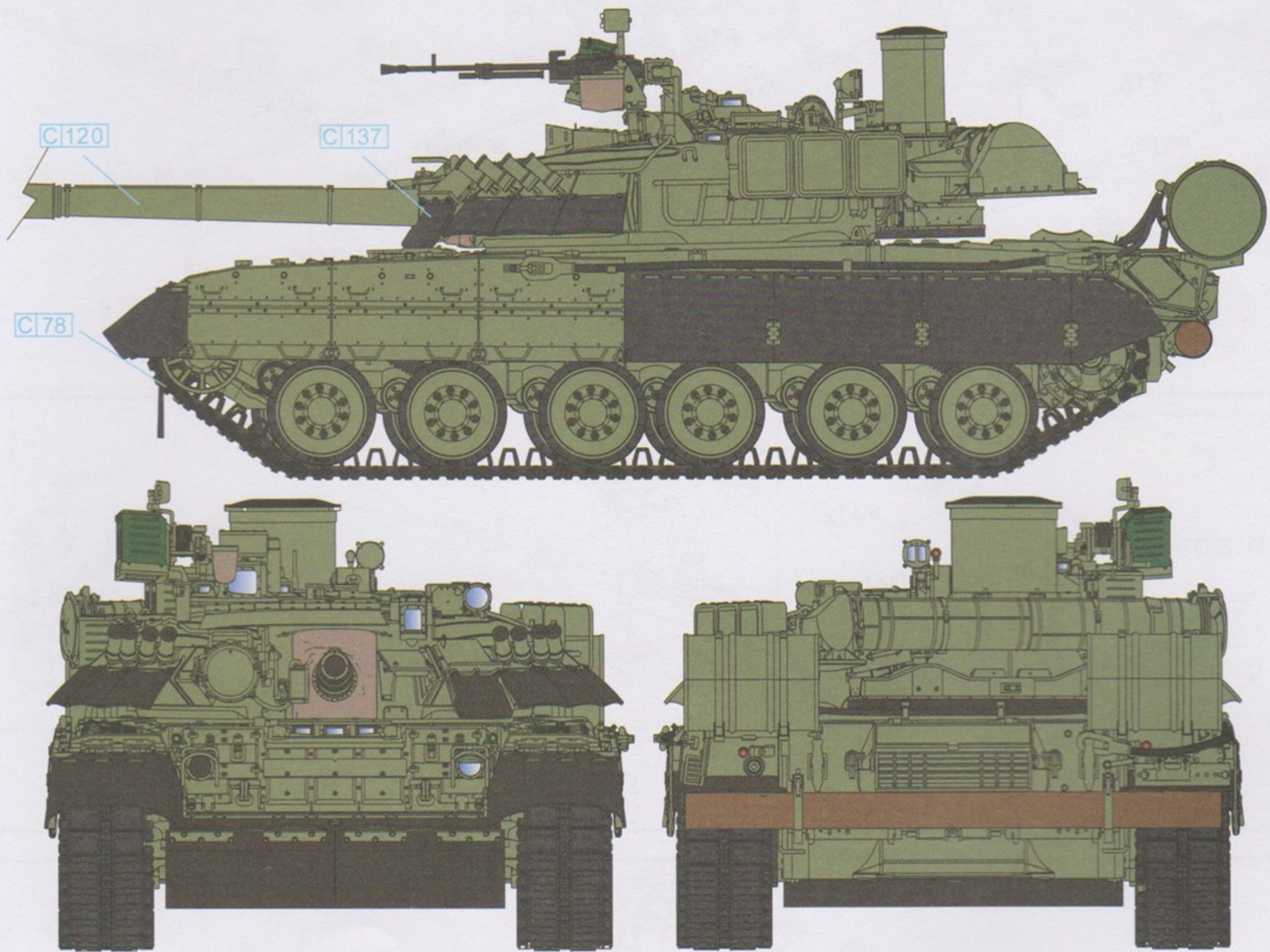
28



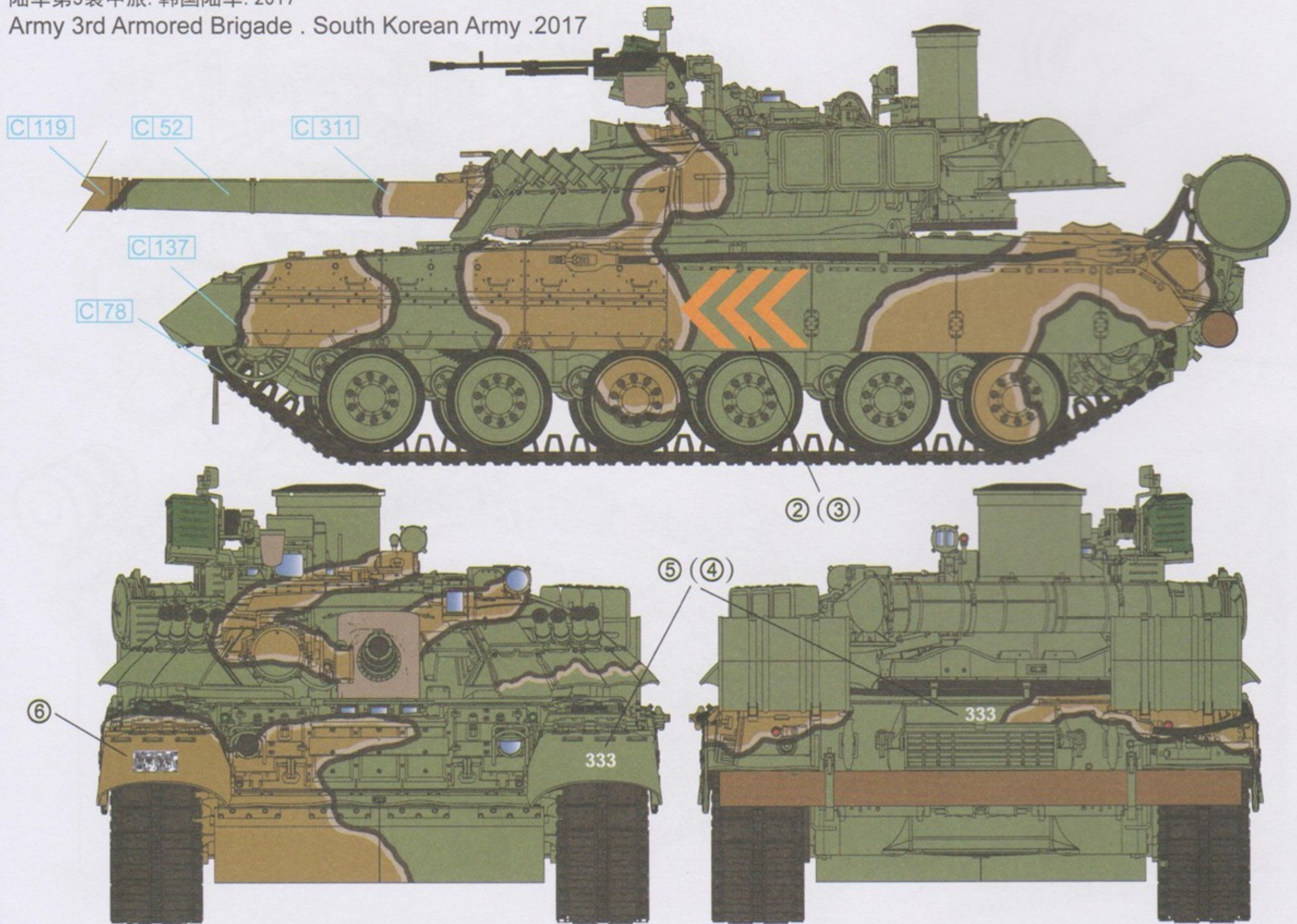


29

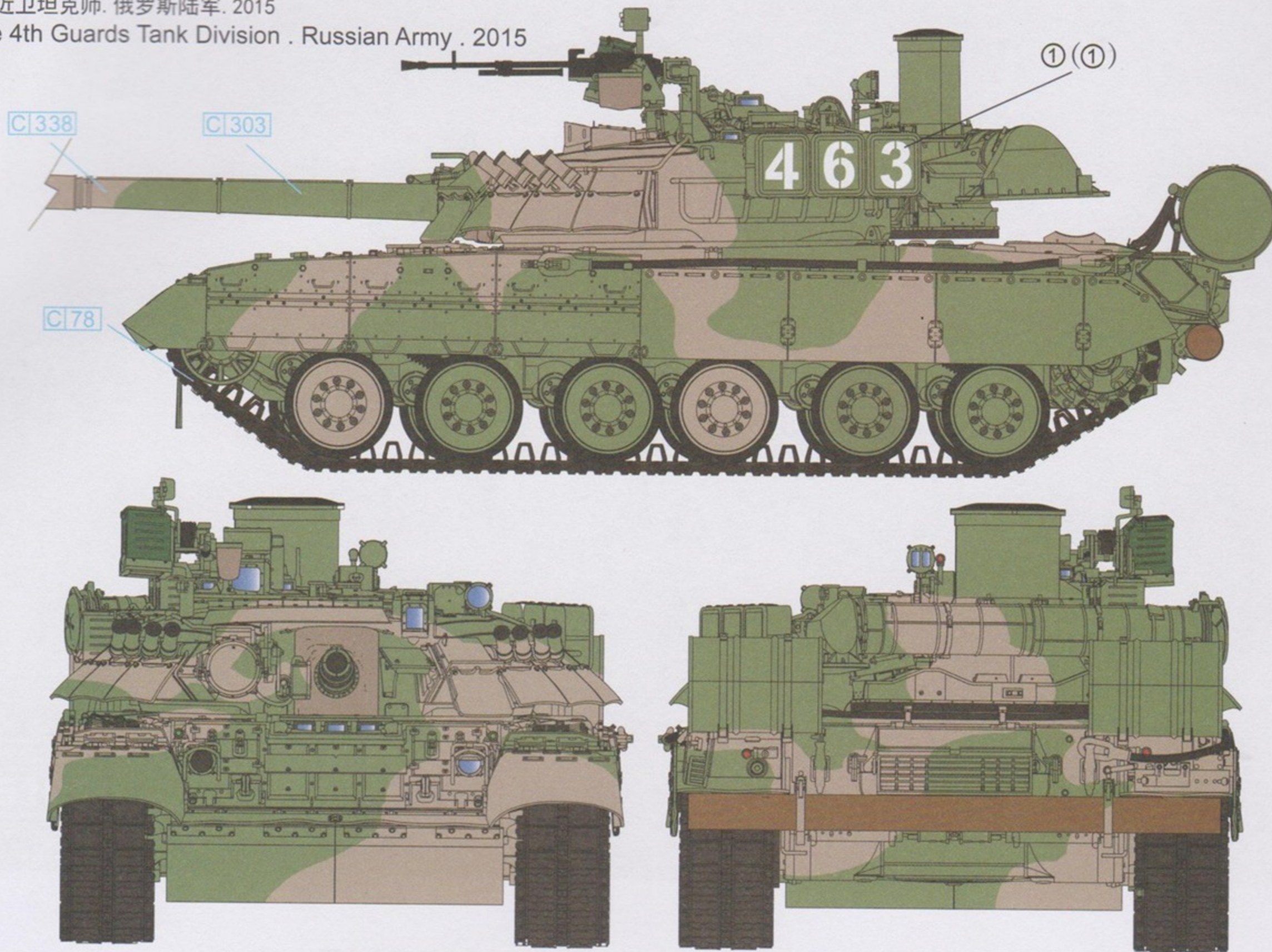




陆军第3装甲旅. 韩国陆军. 2017
 Army 3rd Armored Brigade . South Korean Army .2017



第4近卫坦克师. 俄罗斯陆军. 2015
The 4th Guards Tank Division . Russian Army . 2015



第4近卫坦克师. 俄罗斯陆军. 2011
The 4th Guards Tank Division . Russian Army . 2011

