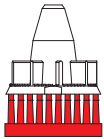
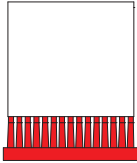


CUT

USE A SAW TO REMOVE SUPPORTS FROM 3D PRINTED PARTS



R1



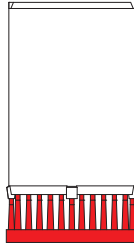
R2



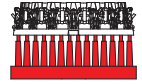
R3



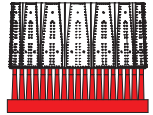
R4



R5

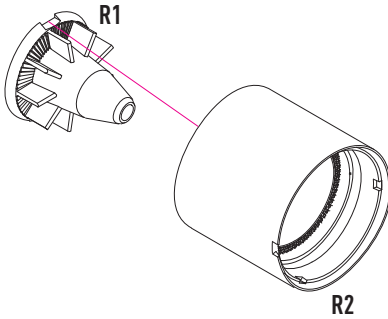


R6



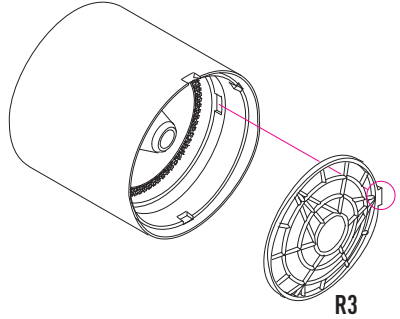
R7

1



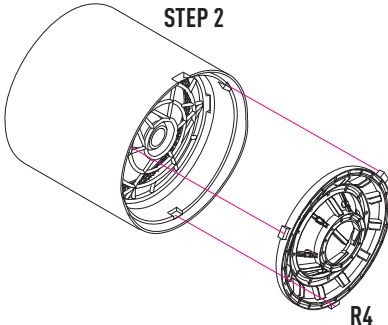
2

STEP 1



3

STEP 2



4

STEP 3

