

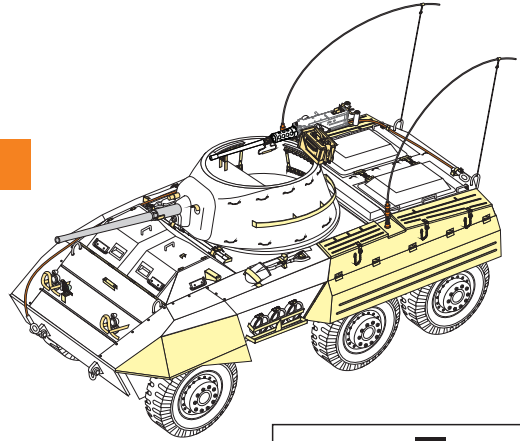
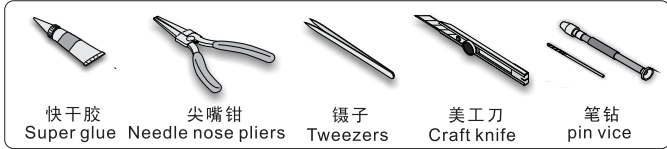
1/35 MILITARY MINIATURE VEHICLE UPGRADE SERIES PE35679

WWII US M8 light armored car basic
(B ver include Gun barrel)

二战美军M8轻型装甲车基本件 (B版本含炮管)

[For TAMIYA 35228]

■ 推荐使用工具 RECOMMENDED TOOLS



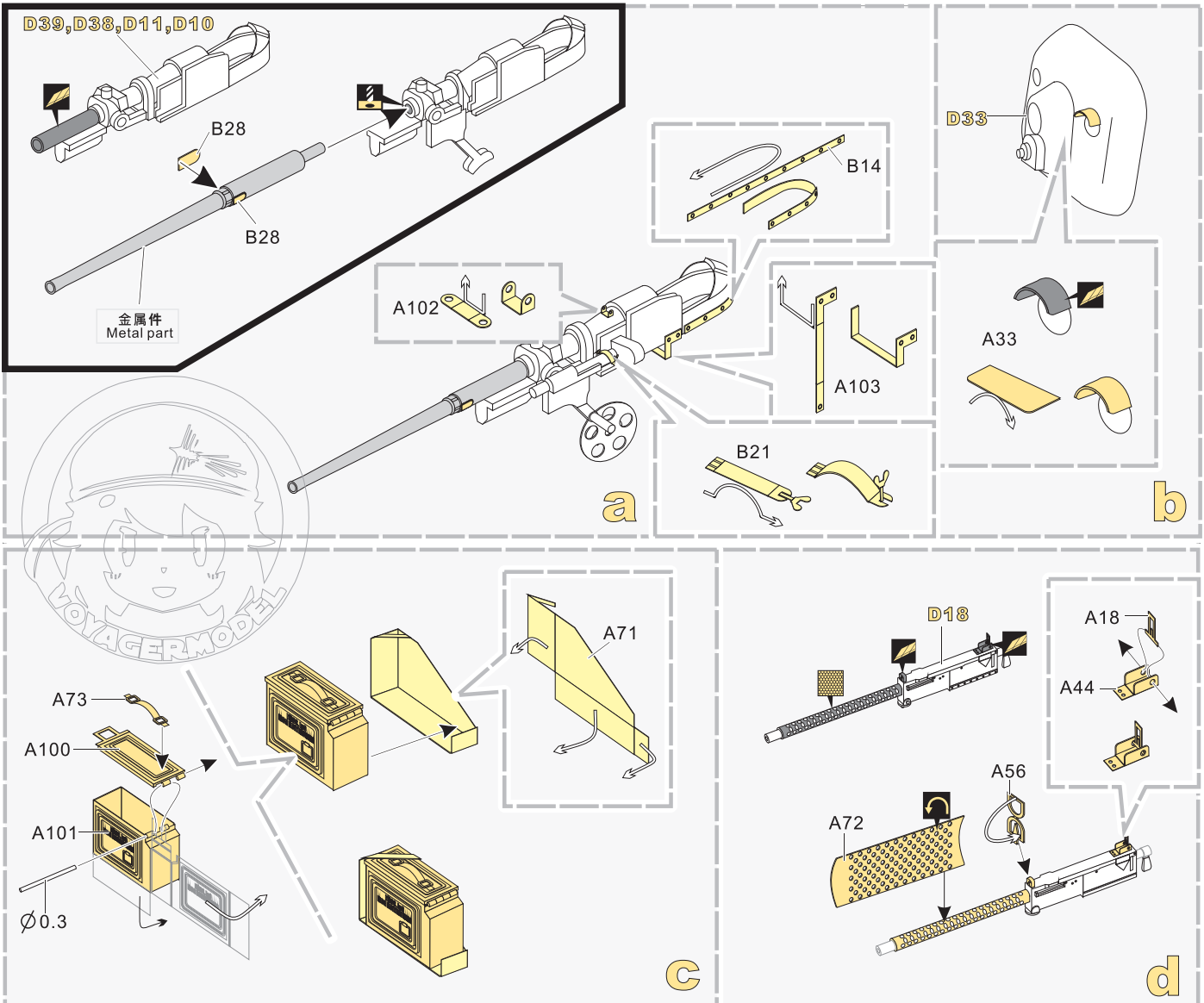
- ↑
安装
install
- ↩
折叠
bend
- A1
改造件零件编号
PE/resin part number
- B12
原零件编号
kit part number
- C22
被替换的原零件编号
replaced kit part number
- ▲
另一侧相同制作
repeat on opposite side
- ✂
切除
remove
- 🔪
打磨
grind off
- 📐
弧度卷曲
radial bending
- x2
制作若干组
multiple assembly
- ⇄
选择安装
alternative
- 🔧
钻孔
drill
- 用胶棒制作
make from plastic rod

↓
用尖端在凹槽处冲压
use penpoint to press on the dent

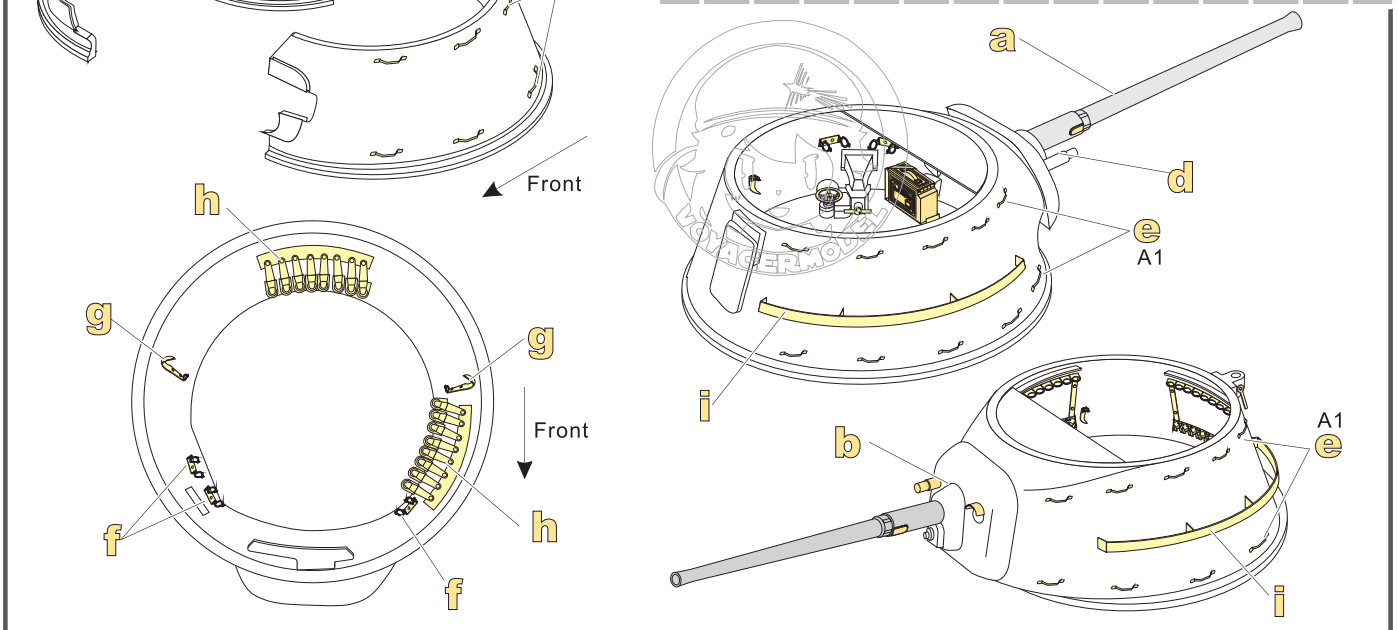
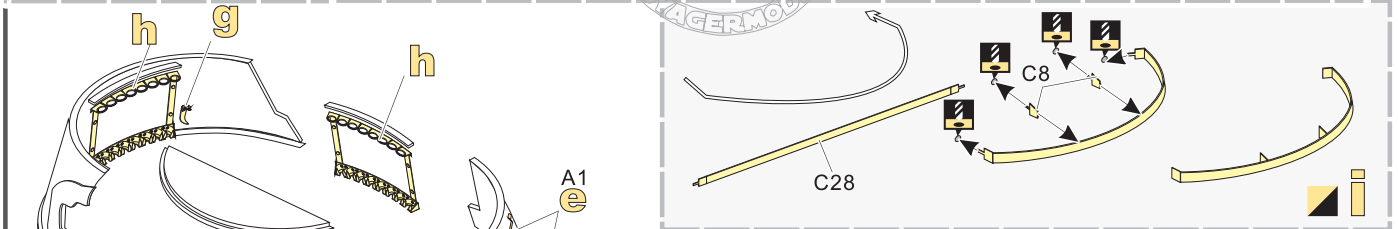
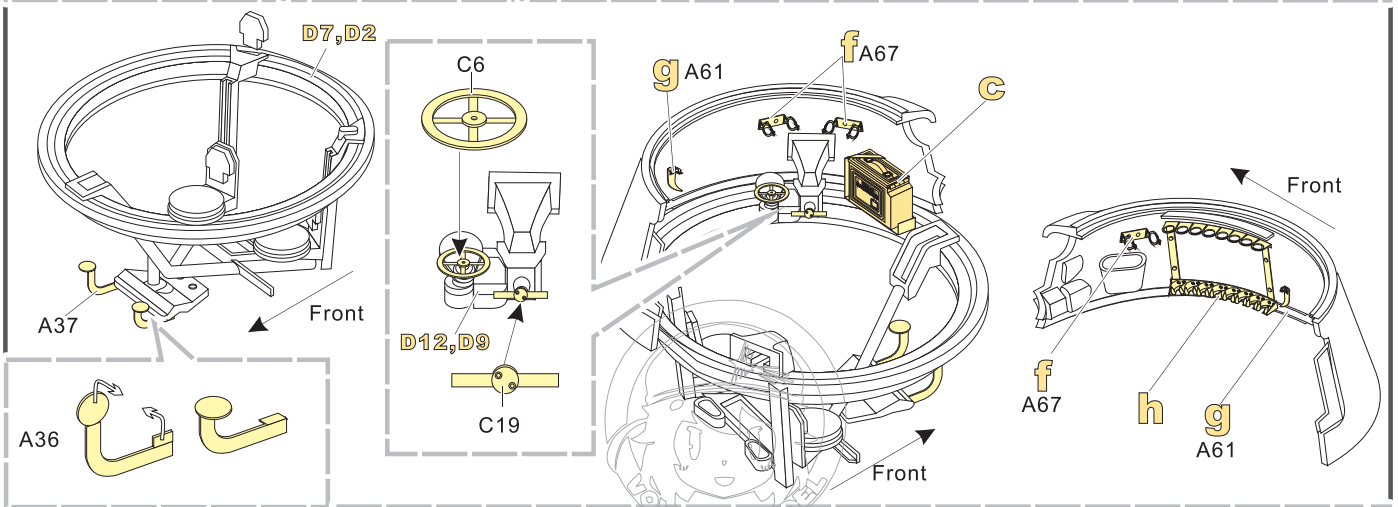
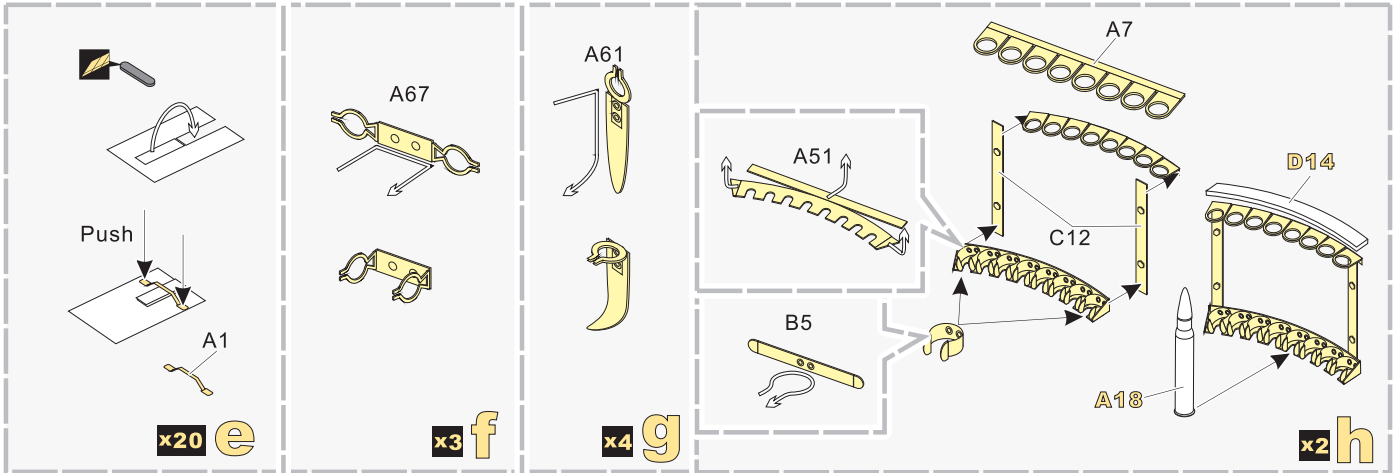
蚀刻片零件内侧面向上
Put the part upside down

用笔尖在凹槽处刺
Use penpoint to press on the dent

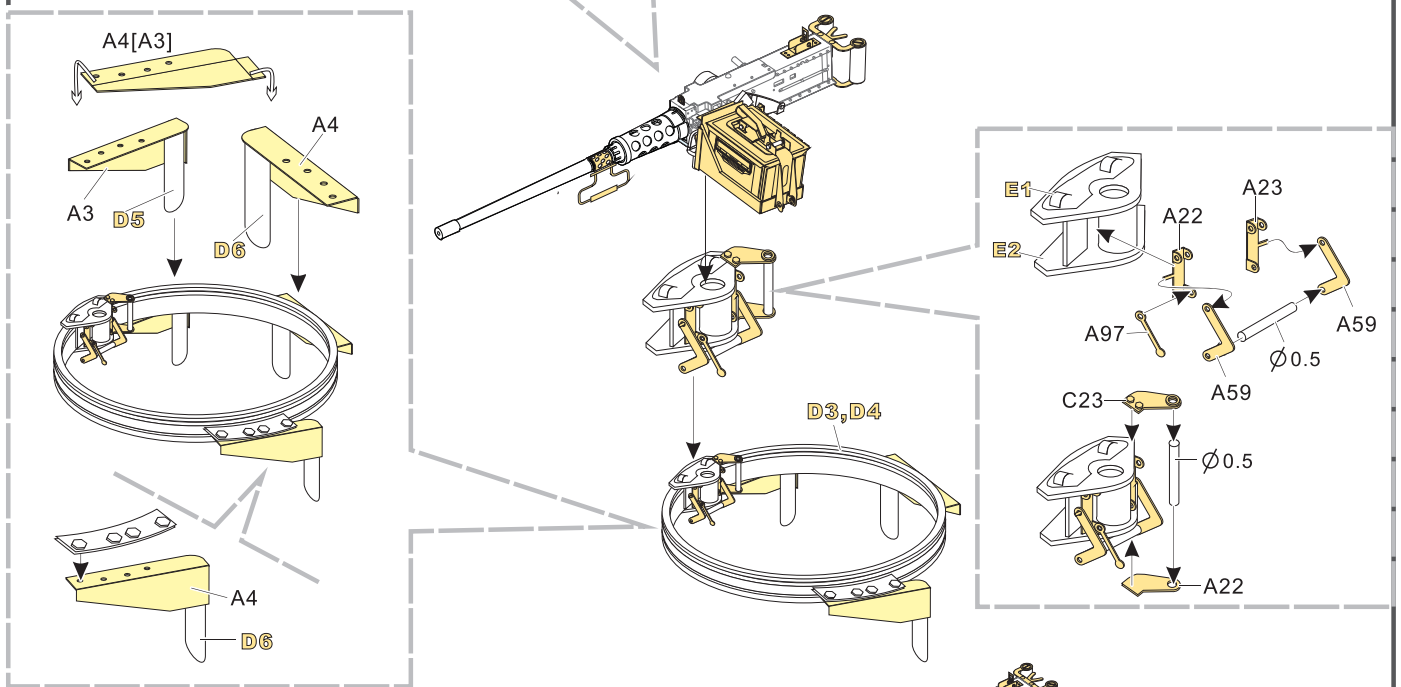
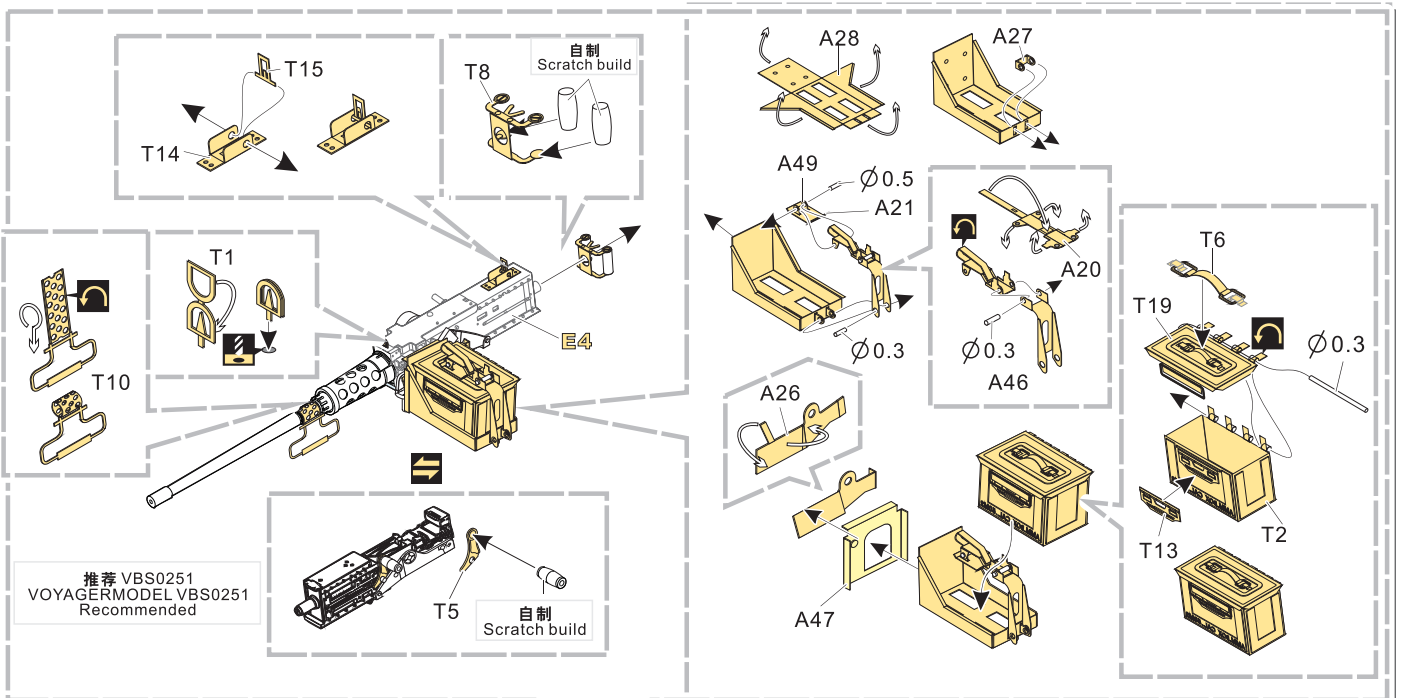
THE STEPS IN THE BLACK BOX APPLY FOR PE35679 B VERSION
黑框内的步骤仅适用于PE35679 B版本



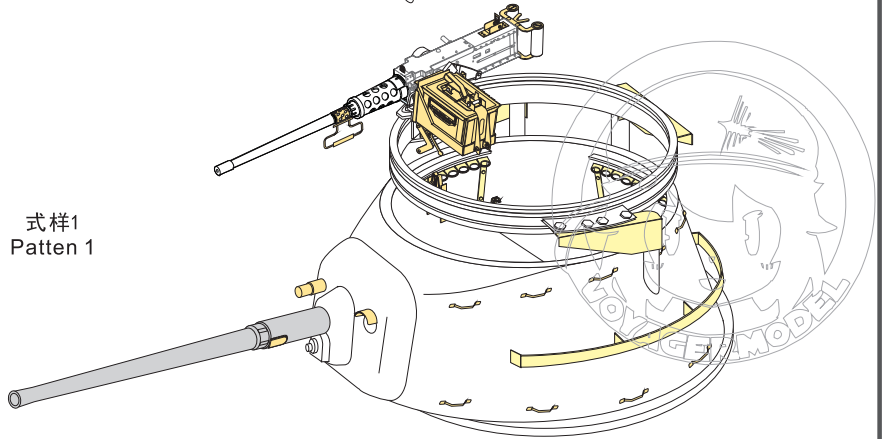
1/35 MILITARY MINIATURE VEHICLE UPGRADE SERIES PE35679



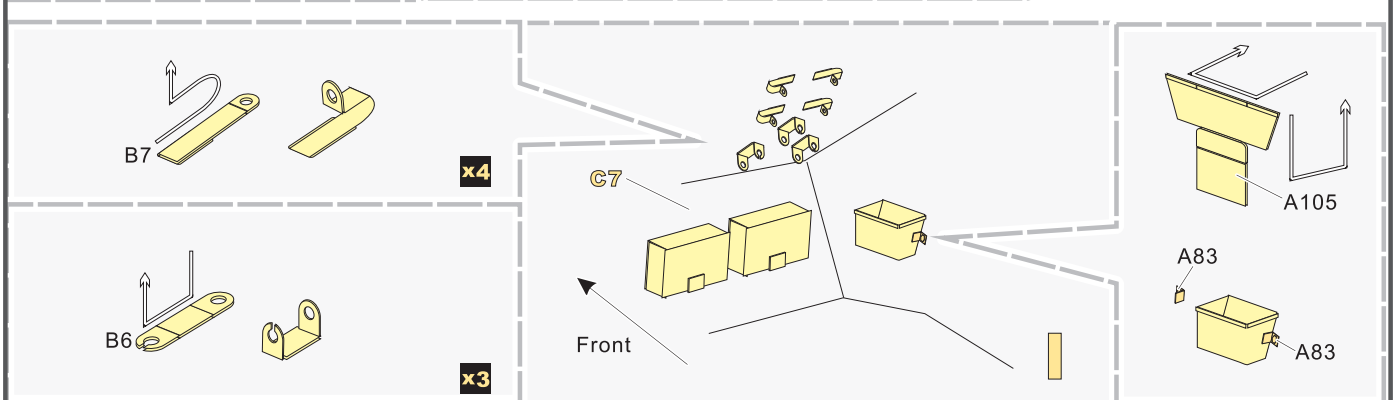
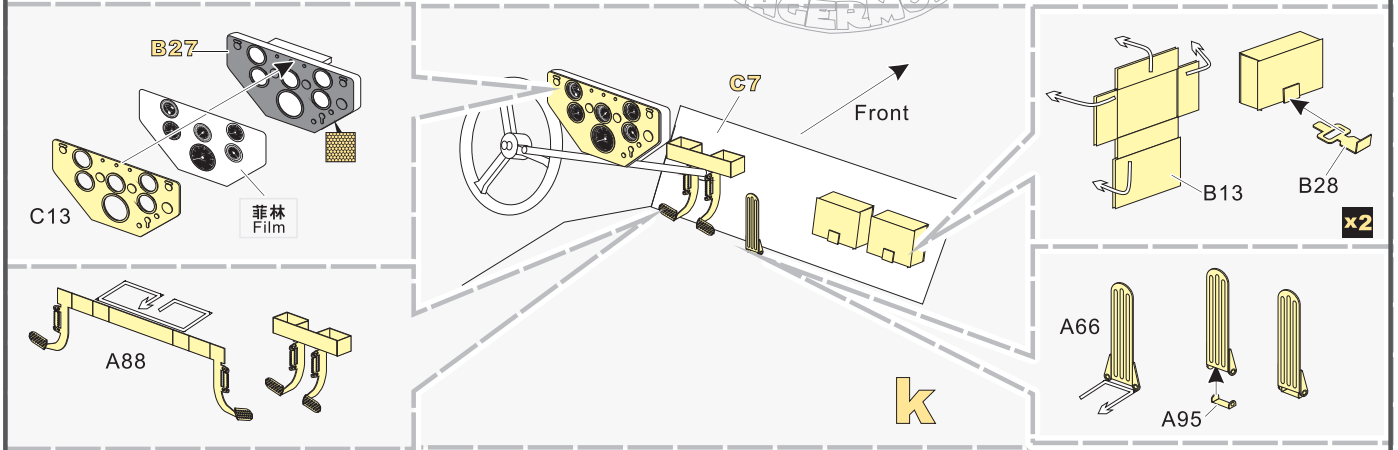
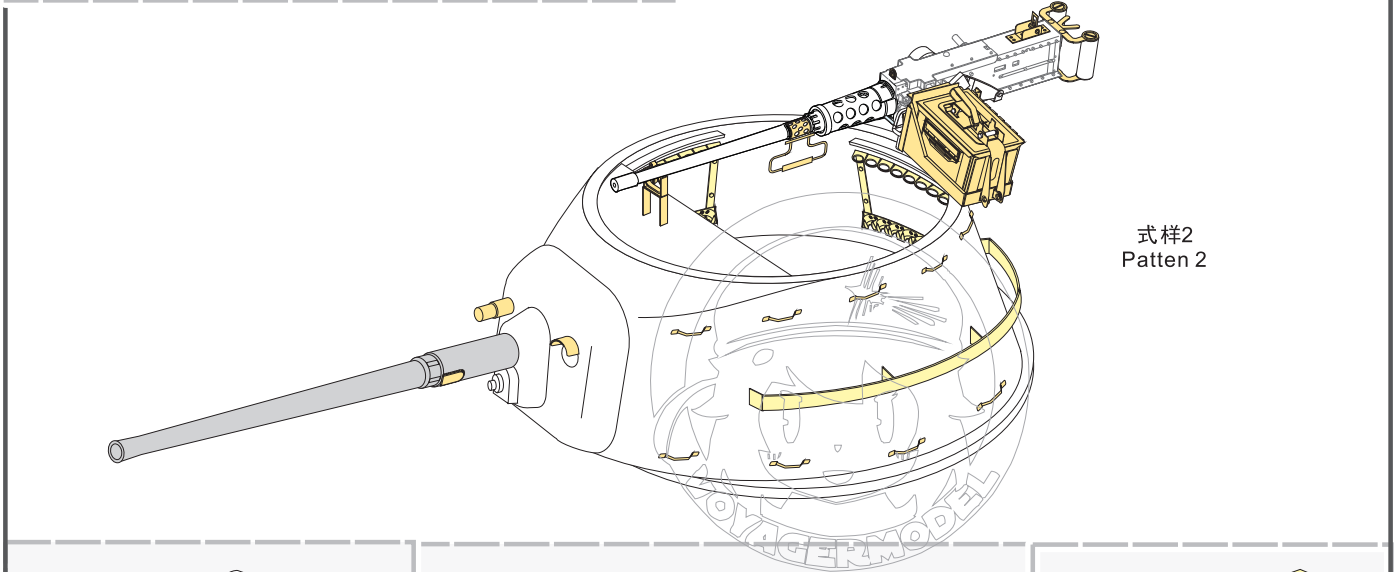
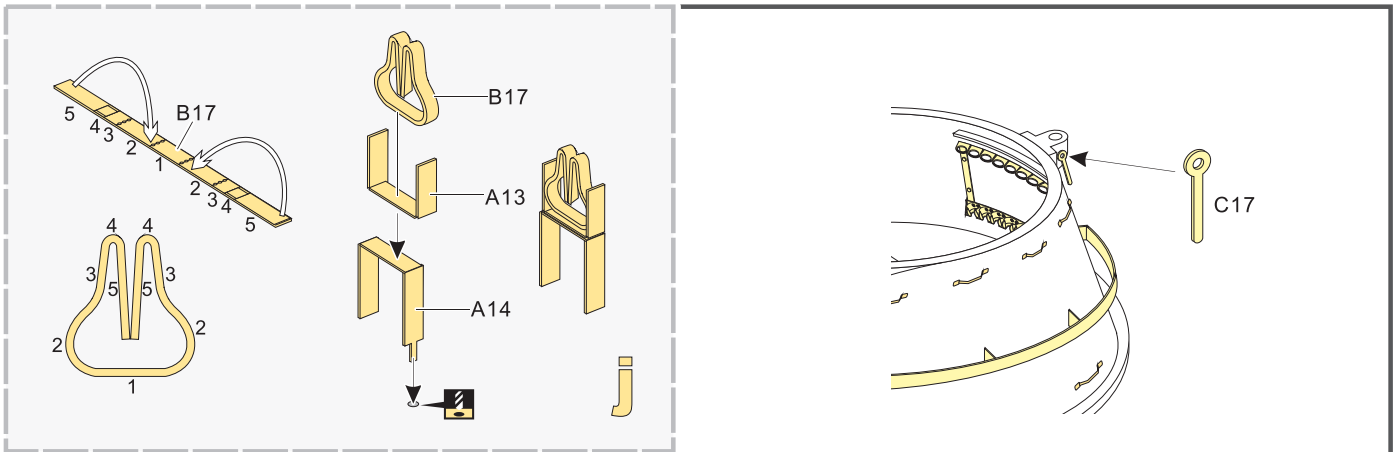
1/35 MILITARY MINIATURE VEHICLE UPGRADE SERIES PE35679



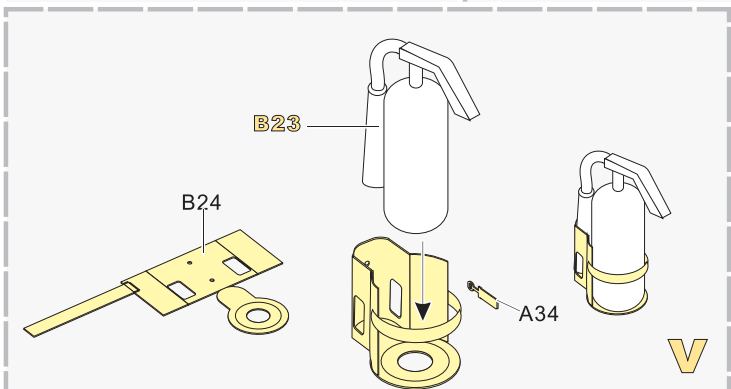
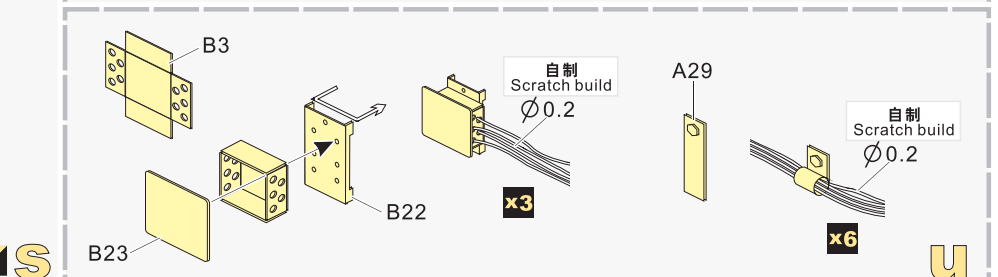
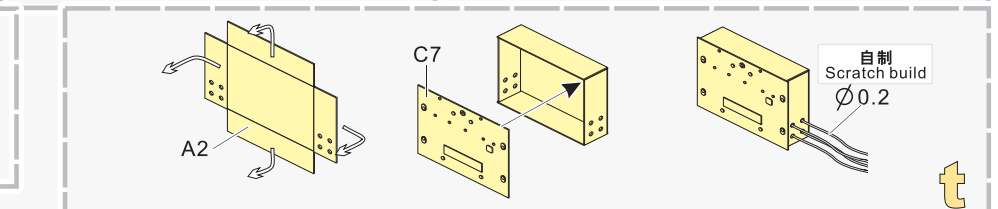
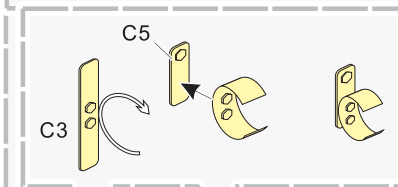
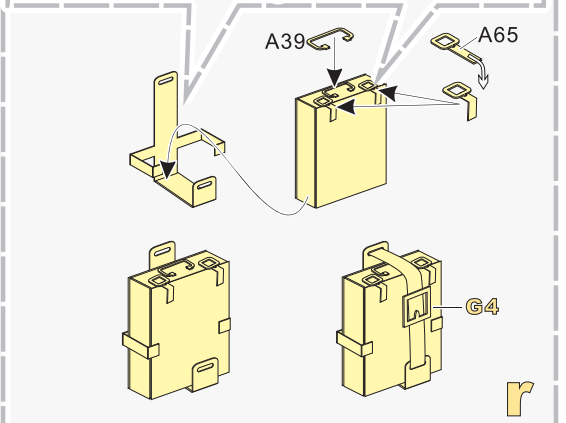
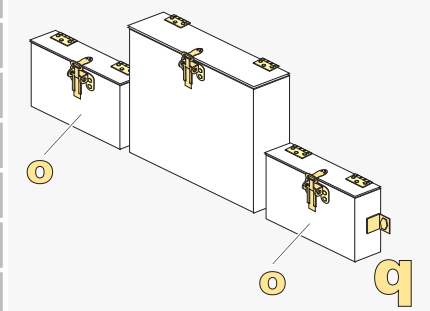
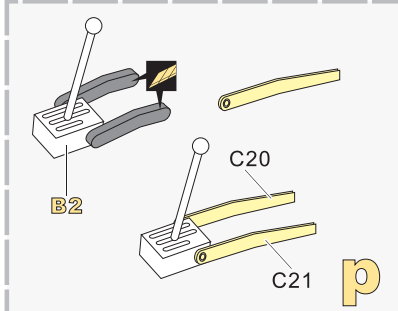
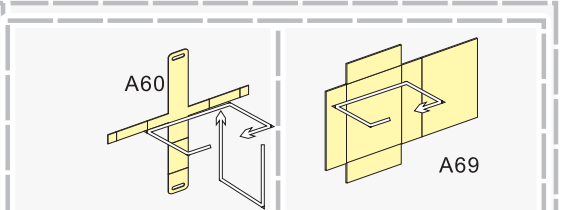
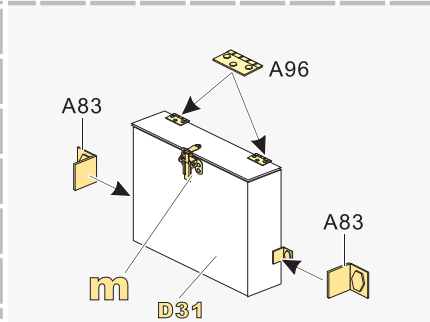
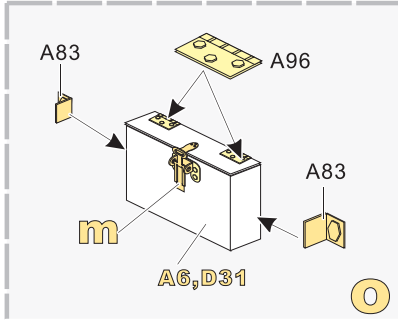
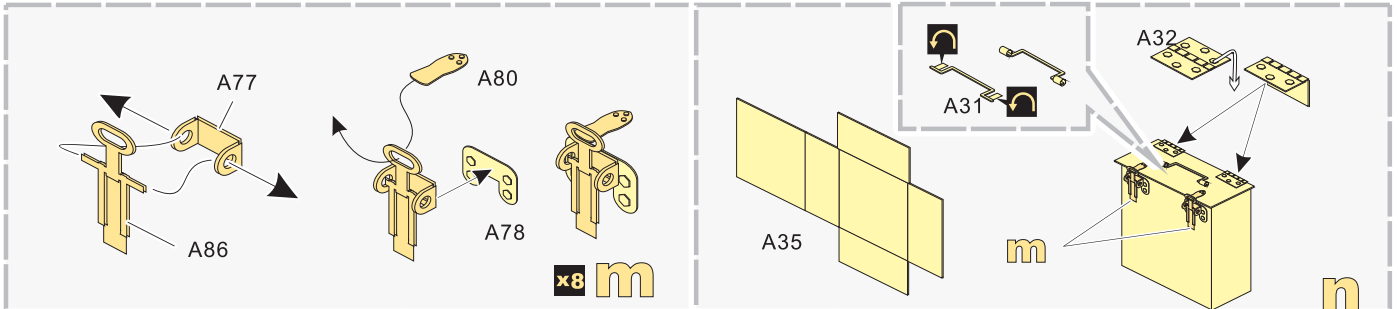
式样1
Patten 1



1/35 MILITARY MINIATURE VEHICLE UPGRADE SERIES PE35679



1/35 MILITARY MINIATURE VEHICLE UPGRADE SERIES PE35679



[Http://www.voyagermodel.com/productdetails.asp?itemid=PE35679](http://www.voyagermodel.com/productdetails.asp?itemid=PE35679)

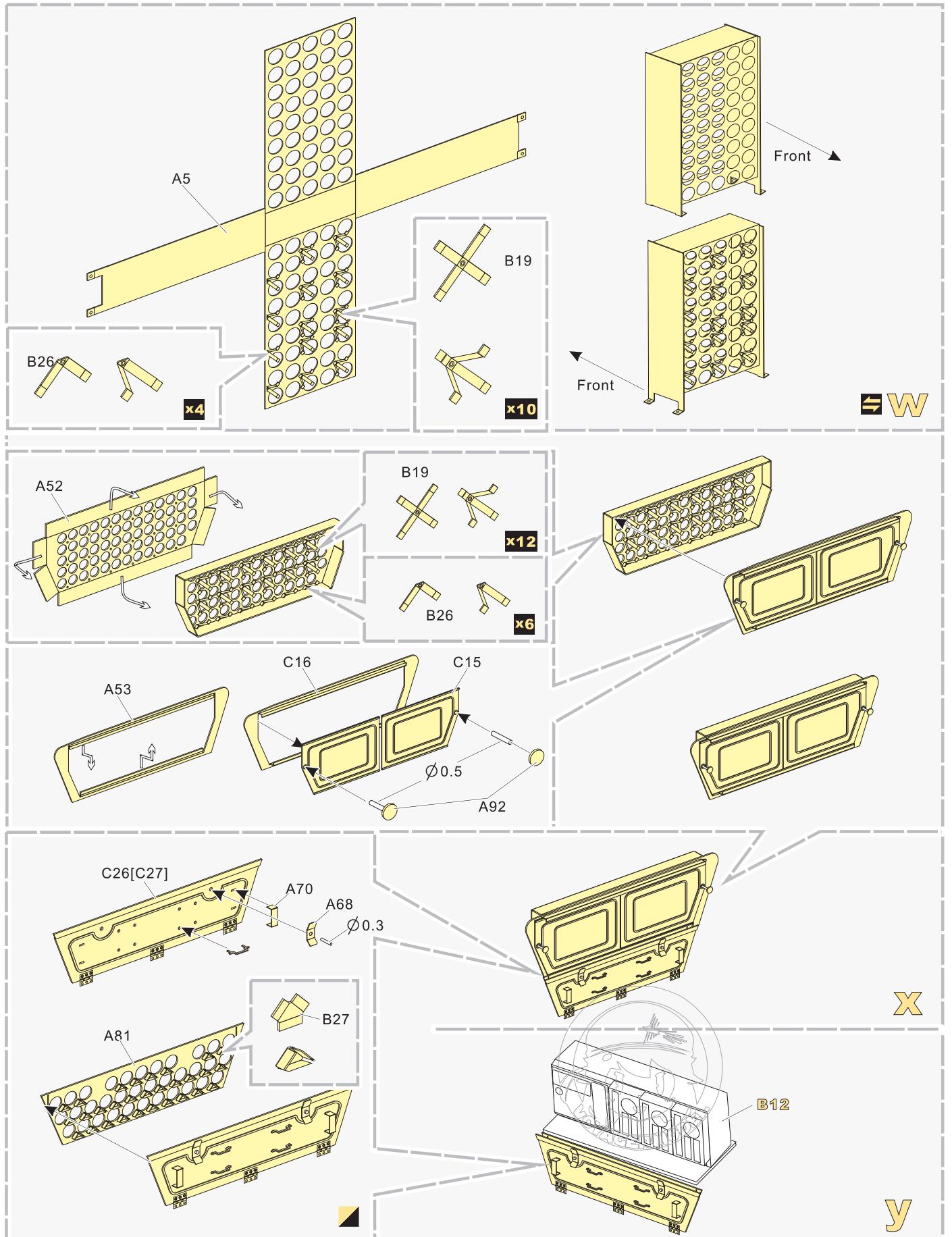


**VOYAGER
MODEL**

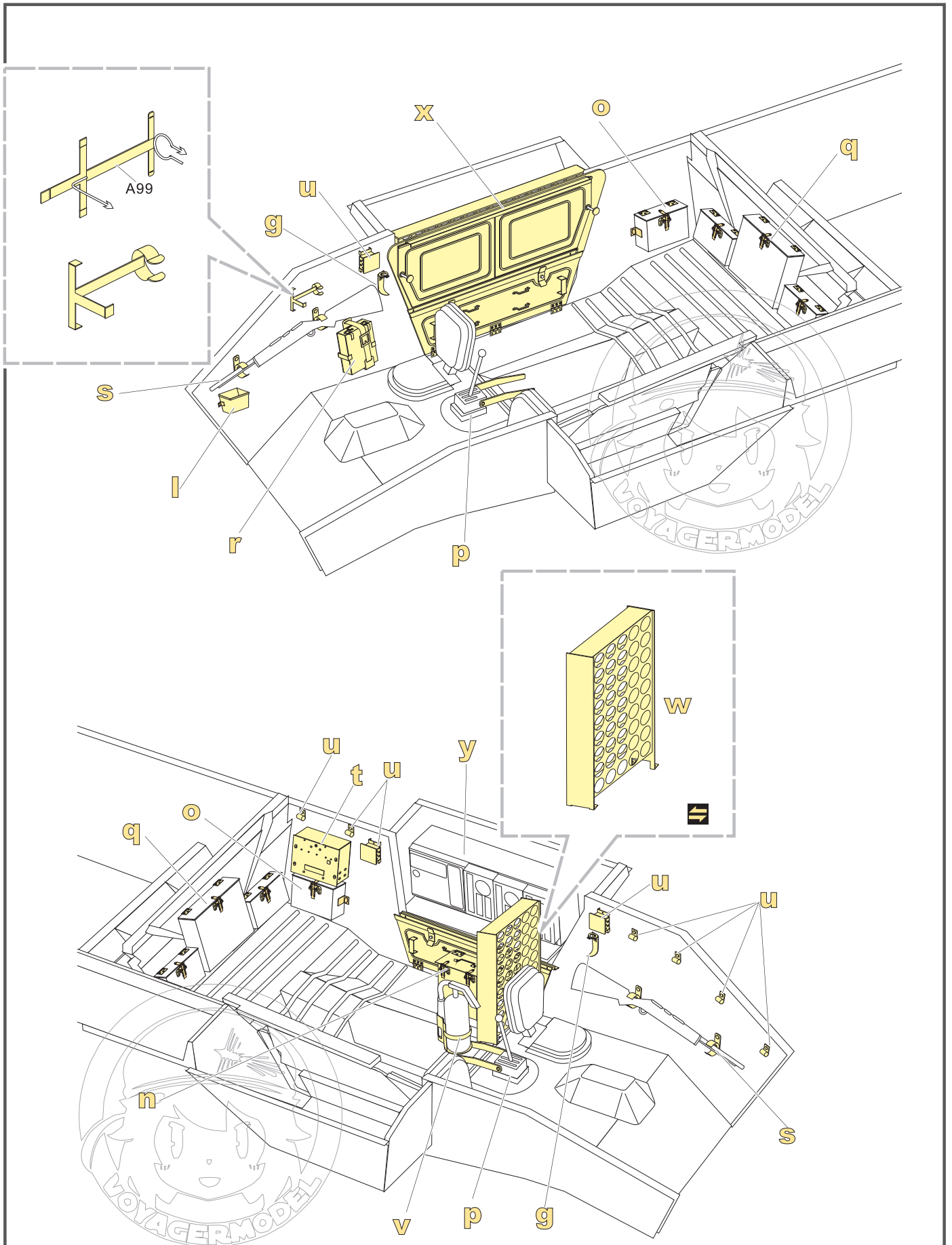


更多PE35679样品照片参考请扫一扫
MORE PICTUER OF PE 35679
REFERENCE SCAN HERE

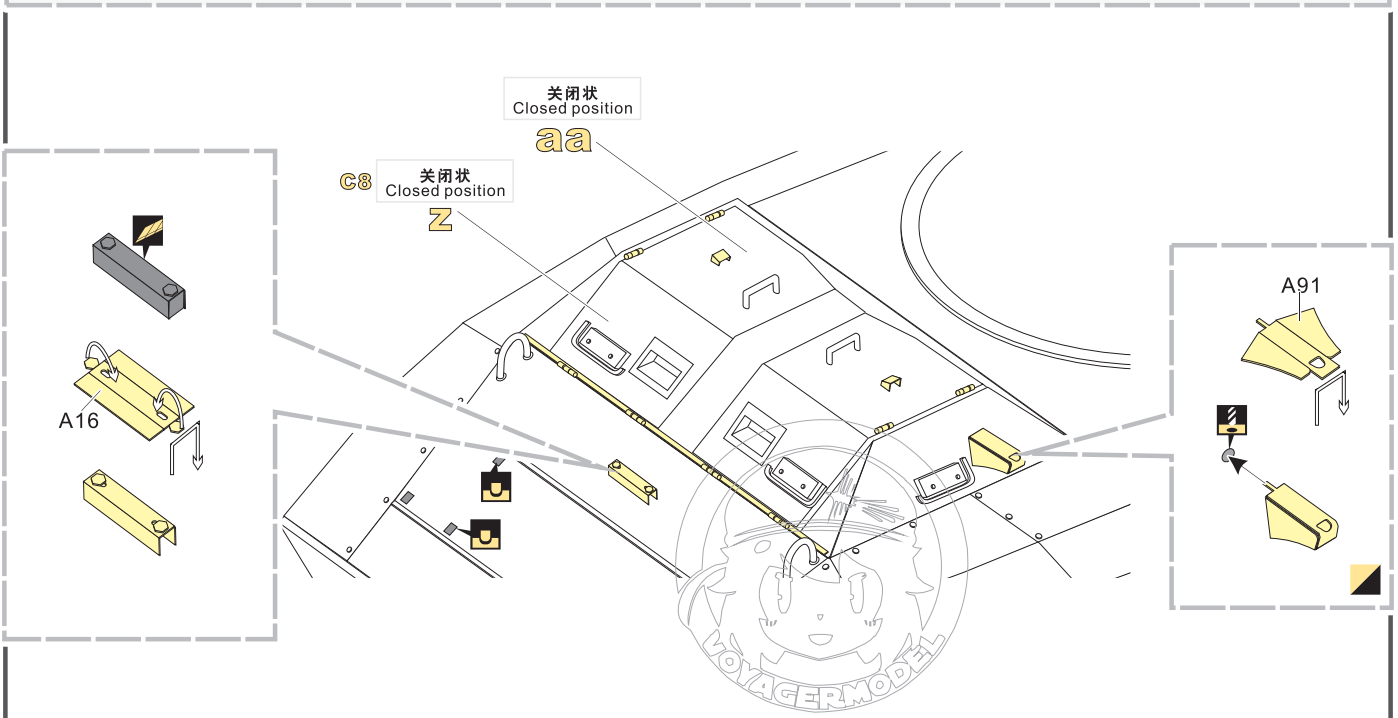
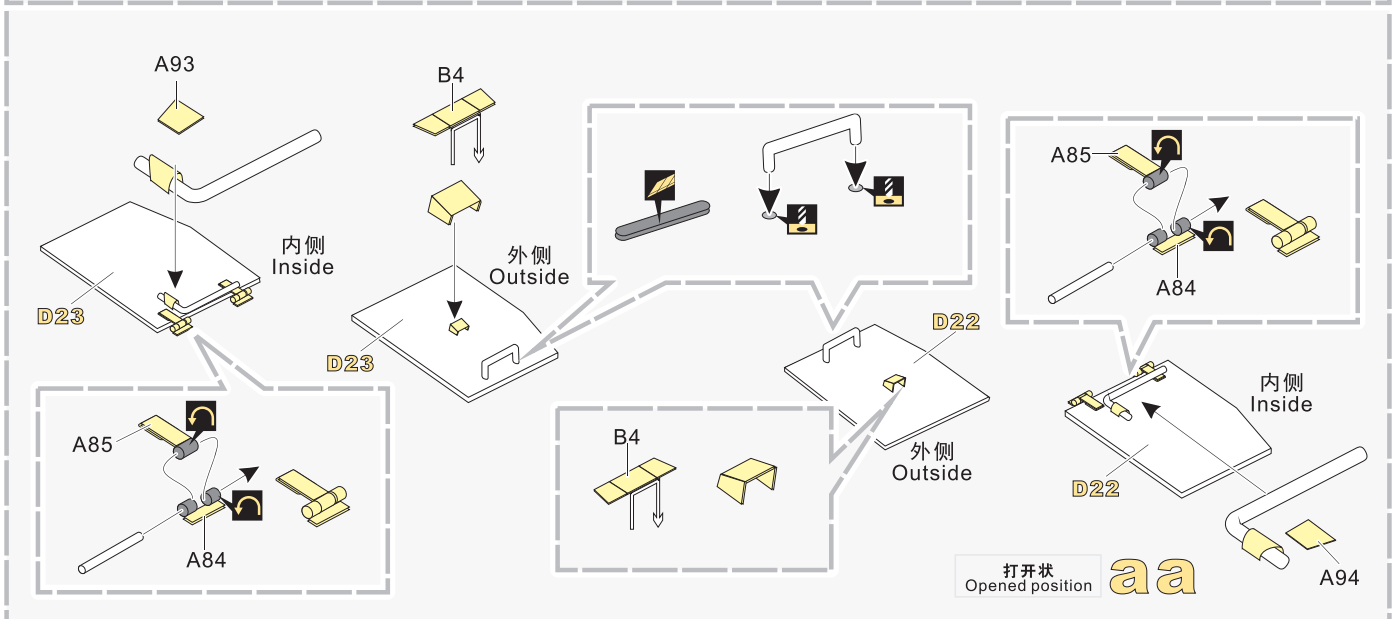
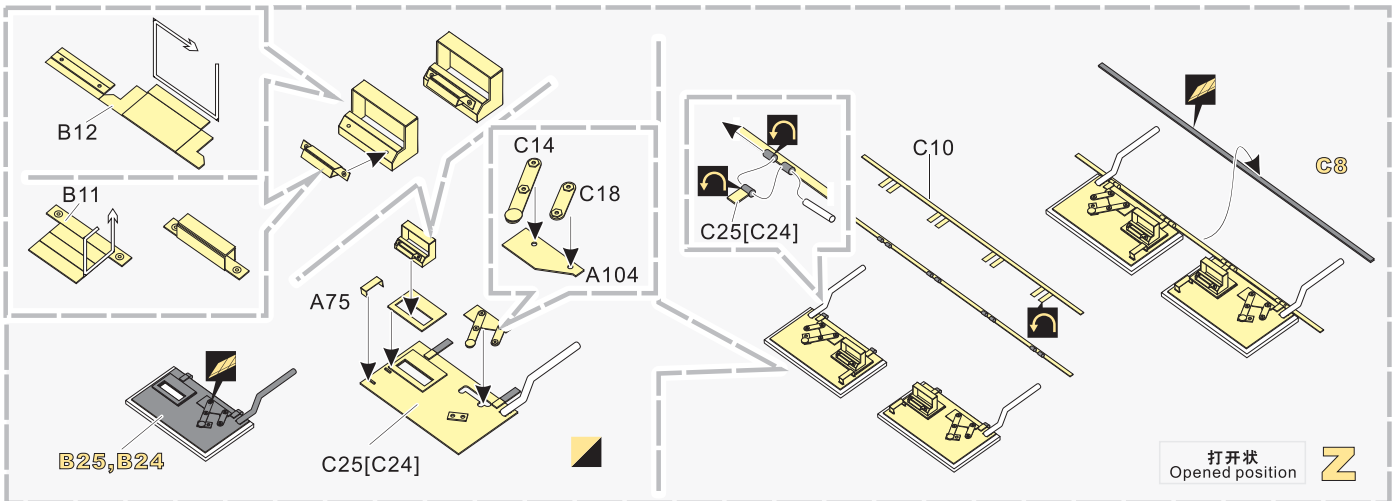
1/35 MILITARY MINIATURE VEHICLE UPGRADE SERIES PE35679



1/35 MILITARY MINIATURE VEHICLE UPGRADE SERIES PE35679



1/35 MILITARY MINIATURE VEHICLE UPGRADE SERIES PE35679



1/35 MILITARY MINIATURE VEHICLE UPGRADE SERIES PE35679

ab G3 G4 A1

ac G3 G4 A1

ad B10 A17 A12 A104 B11 ab

ae 树脂件 Resin part C29 A15

af 推荐 VBS0201 VOYAGERMODEL VBS0201 Recommended A57 A58 取自其他套件 Obtained from other kits

ag A54 A98 B9 A43 B8 自制 Scratch build

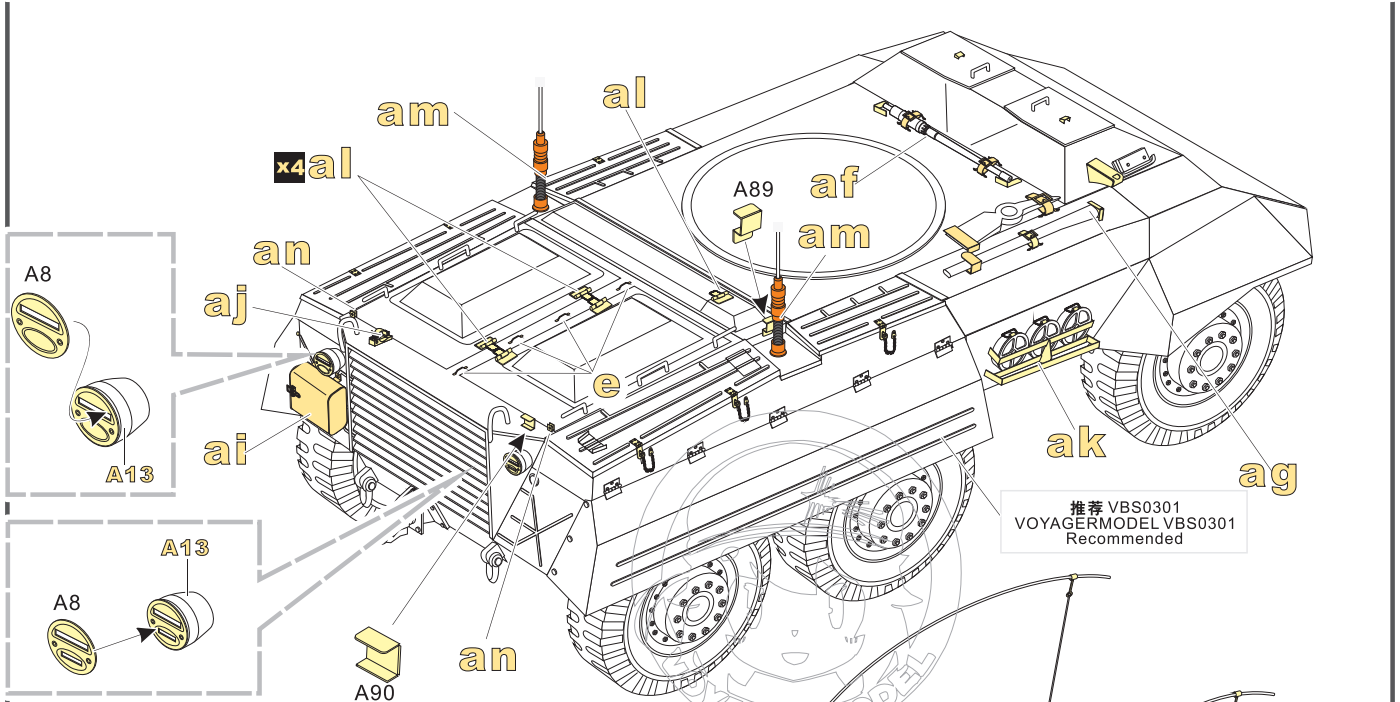
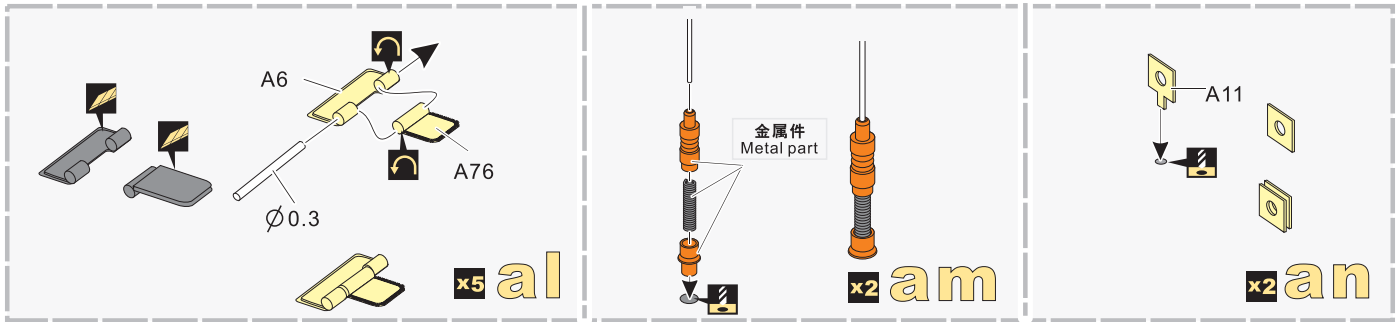
ah 自制 Scratch build A14 A14 A45 A41 A40 x2

ai A19 A25 B1 A24 C11 B3 A74

aj Ø0.3 B25 B18 B20 铜缆 Copper cable A5

ak A42 A21 x6

1/35 MILITARY MINIATURE VEHICLE UPGRADE SERIES PE35679



VOYAGERMODEL® 无微不至 极尽享受
The Best Upgrade Solution

Recommended item

PE 35678	WWII US M20 armored utility car basic (atenna baseinclude)
PE 35679	WWII US M8 light armored car basic (Gun barrel ,atenna baseinclude)
PEA 335	WWII US M8/M20 armored car side skirts/stowage bins
PEA 336	WWII U.S. M8/M20 armored car tyre chains
VBS 0215	WWII US M2 Browning Machine Gun
VBS 0187	WWII US 37mm M6 L/56.6 Gun Barrel

