

# Su-17UM3 Fitter-G

www.moje Hobby.pl www.super-hobby.com

Su-17UM3 フォイッター-G

Su-17UM3 “装配匠-G” 战斗轰炸机

## PLEASE READ BEFORE OPERATION!

- \* Tools recommended as below: (Not included)  
Adhesives; Paints; Side Cutters; Sharp Edged Pliers; Modeling Knife; Modeling File; Nippers; Drill; Scissors; Sand Paper; Soft Cloth; Cyanoacrylate Glue.
- \* Make sure to read this instruction listed below before assembling.
- \* The kit contains the small parts, they can be dangerous if swallowed by mistake, so keep them away from reach of children.
- \* Cut the all parts off carefully and remove the waste parts into the garbage can.
- \* More caution and care should be needed for cutting and handling the photo etched parts.
- \* Make attention that some parts should be attached the decal when assembled.
- \* During assembling, please tear up and throw away the plastic bags, or may cause the dangerous if wearing over head by children's mistake.
- \* When using the adhesives and paints, please do not use them in the closed room or near the fire, also must be very careful to protect your eyes, face and clothes.
- \* Adult supervised when assembled by children under 14 years old.

## 装配前请仔细阅读:

- \* 推荐使用的模型工具(请自备):  
专用模型胶水, 专用模型油漆, 水口剪刀, 长咀钳, 刀片, 锉刀, 镊子钳, 钻, 剪刀, 软布, 砂纸, 瞬间快干胶等。
- \* 用水口剪刀或刀片小心切下所有塑胶零件和蚀刻片零件, 不要遗失小零件。
- \* 切取蚀刻片时应特别注意防止利边划伤手指。
- \* 用模型锉刀小心锉平所有零件表面的注射浇口。
- \* 用适量的强力快干胶水粘合蚀刻片零件和金属轴, 切忌过量, 否则可能导致可动零件被粘住。
- \* 注意某些零件表面需在装配时同步贴上水贴纸。
- \* 制作时应远离幼儿并将包装袋及时收妥, 谨防小孩玩耍而引起意外。

## The method to apply the decals

1. Cut off the decal from the decal paper and put it into the warm water 40°C for 10 seconds.
2. Take the decal from the water and put it on a piece of clean cloth.
3. Remove the decal slowly from the paper to the targeted location by a wet finger.
4. Use a piece of dry and soft cloth to press it gently on the decal until it getting dry and no bubble existing.

## 水贴纸的使用方法:

- 一. 把相关的印花从水贴纸上剪下, 放入40°C左右的温水中浸10秒。
- 二. 然后将印花放在干净的布上。
- 三. 拿上印花纸板, 手指蘸水将印花移到适当的位置。
- 四. 用软干布轻压印花直至水干, 气泡消失。



cyanoacrylate glue  
强力胶



weight  
配重



make hole  
钻孔



cut / remov  
切除



option  
选择



no cement  
不涂胶水



decal  
贴纸



bend  
弯曲

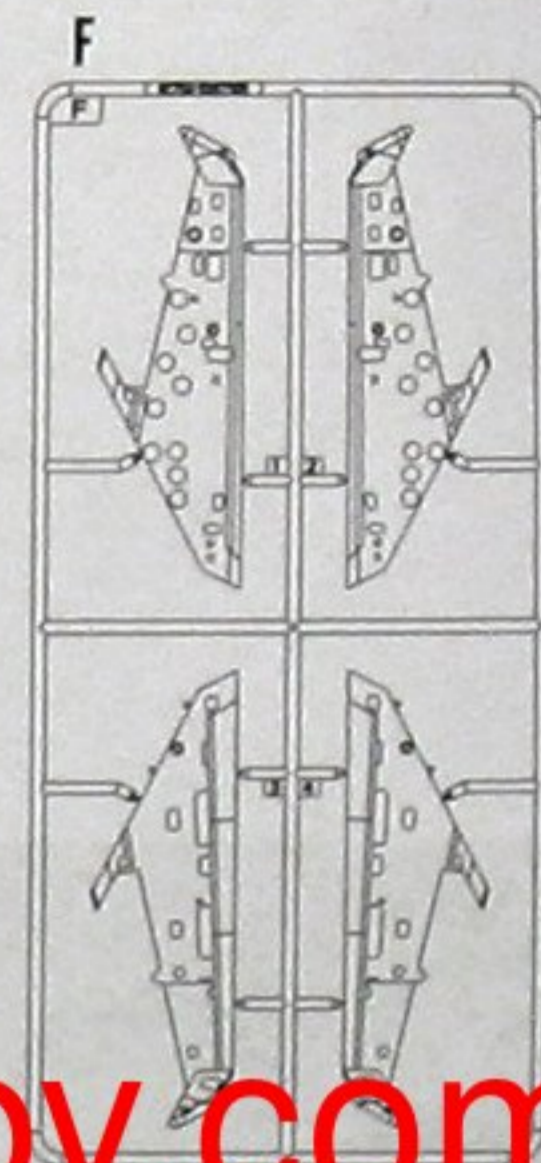
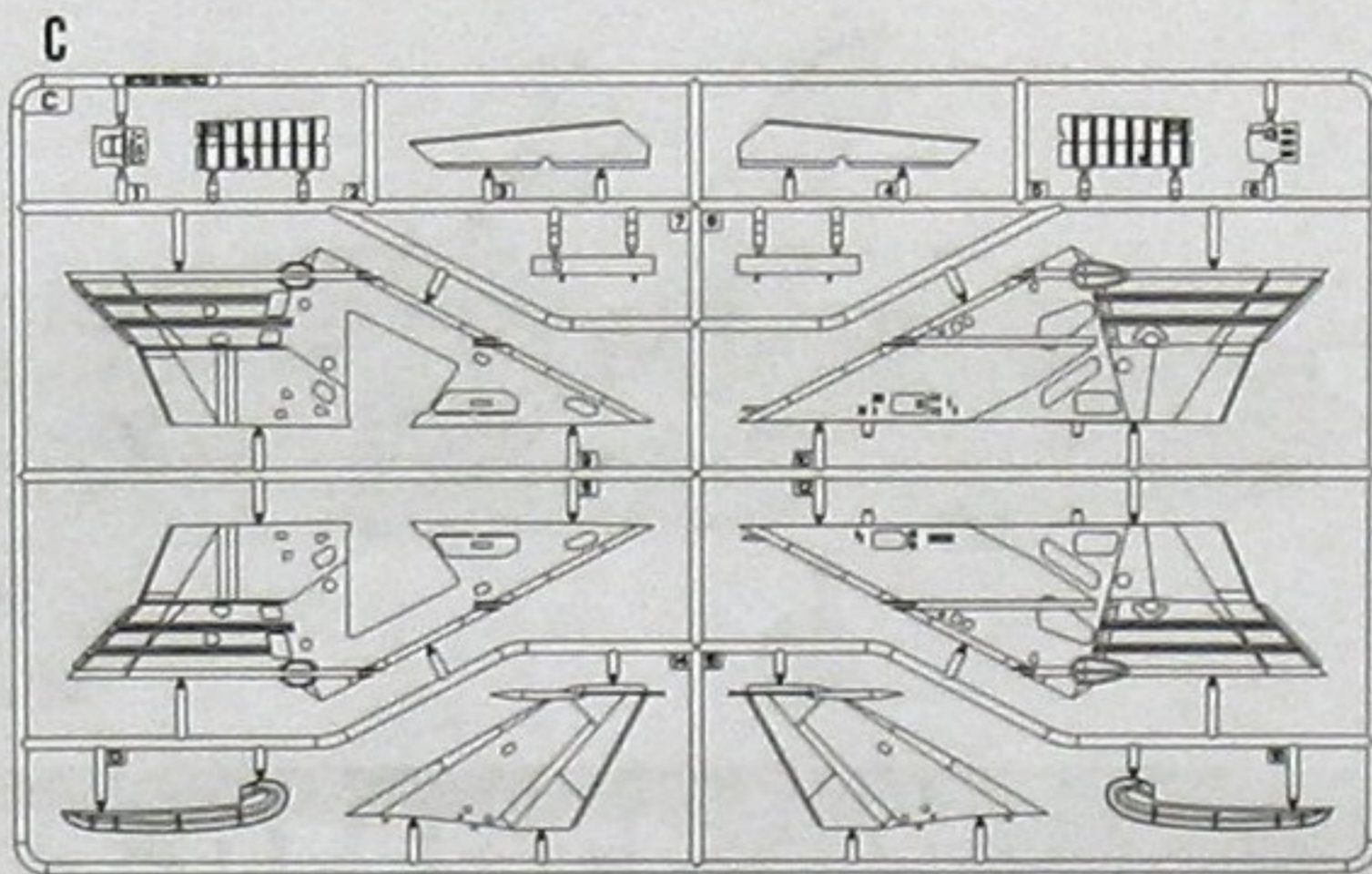
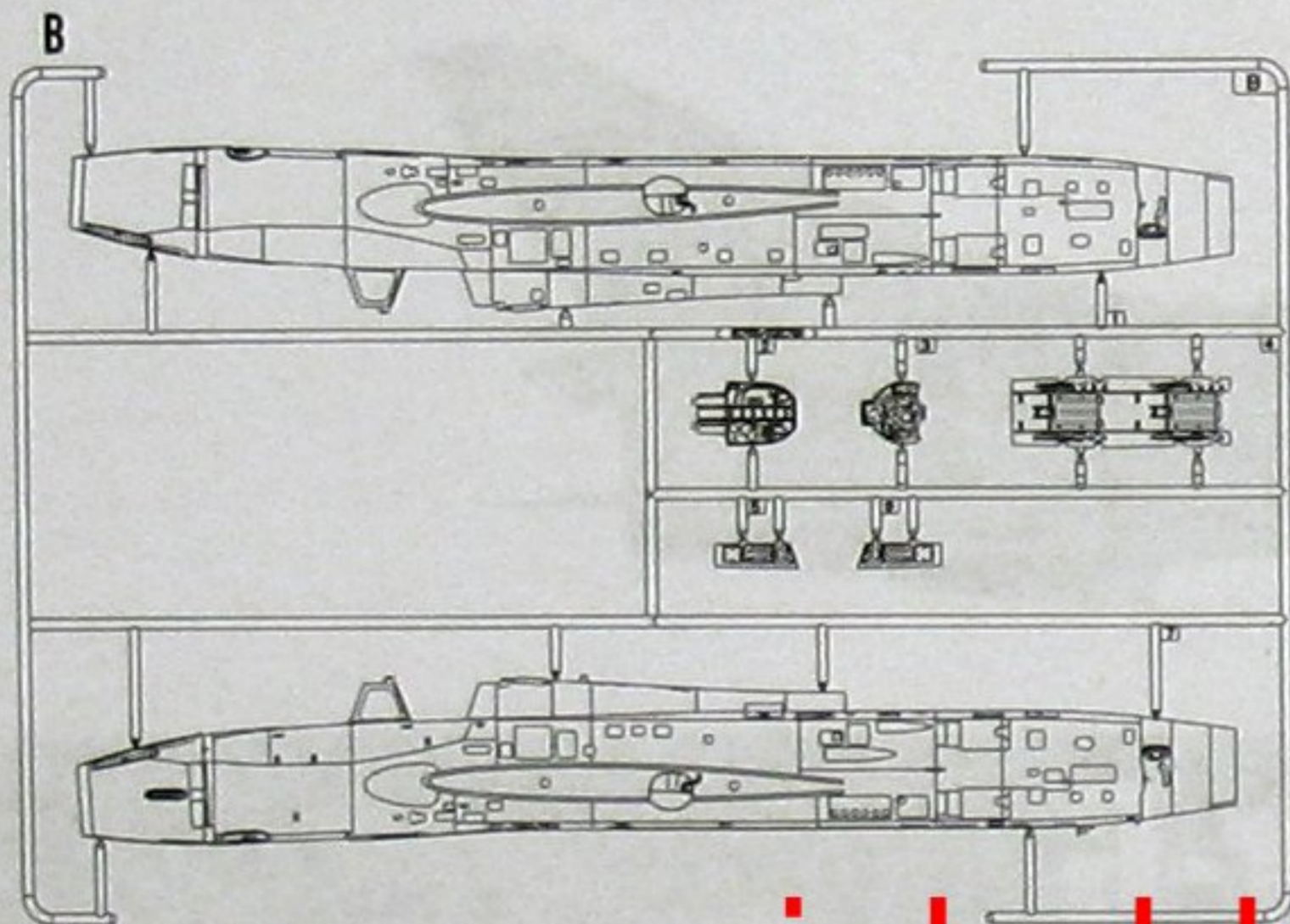


repair  
填补

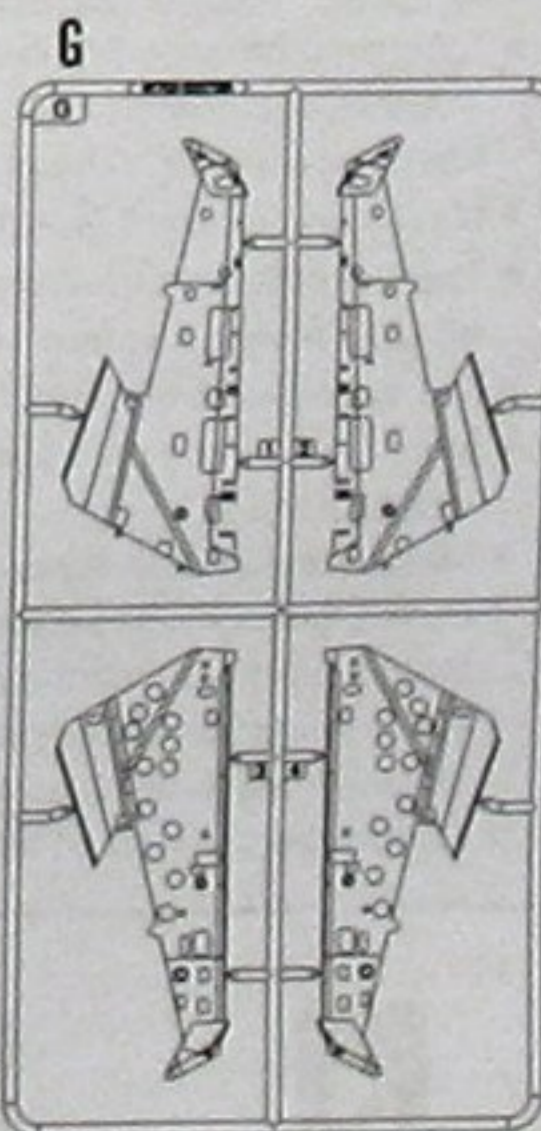
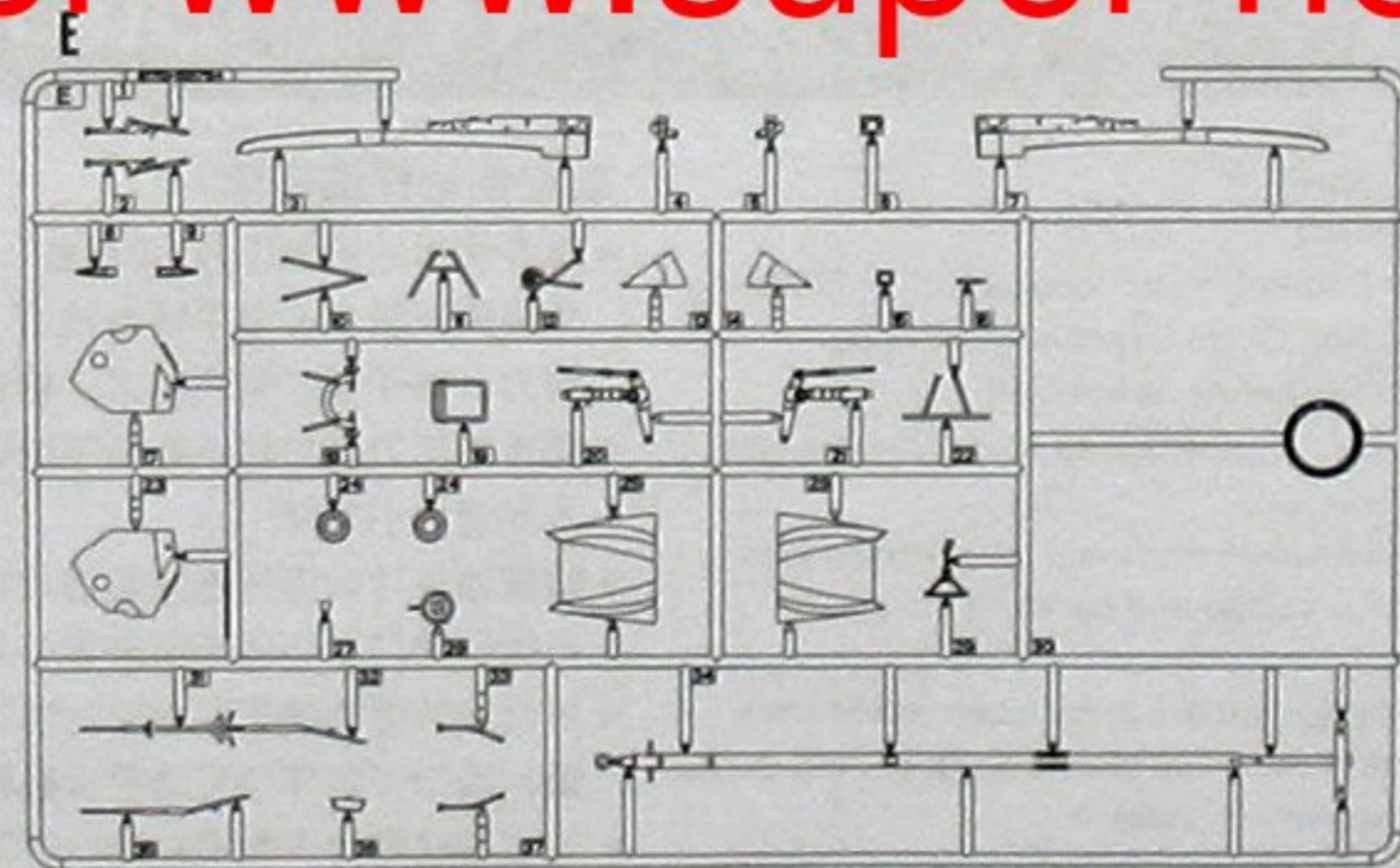
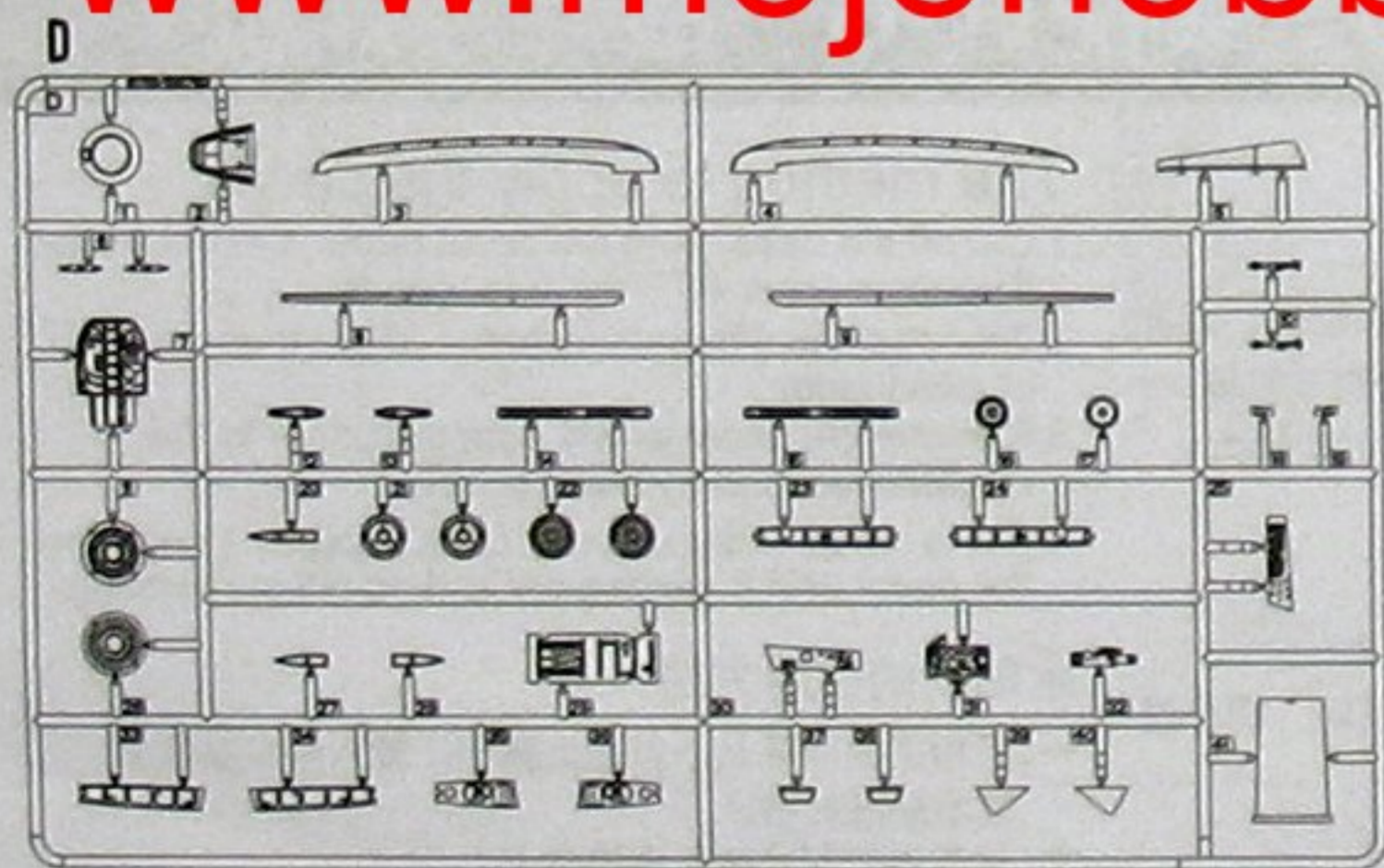


install it first  
先装

部品图  
Parts



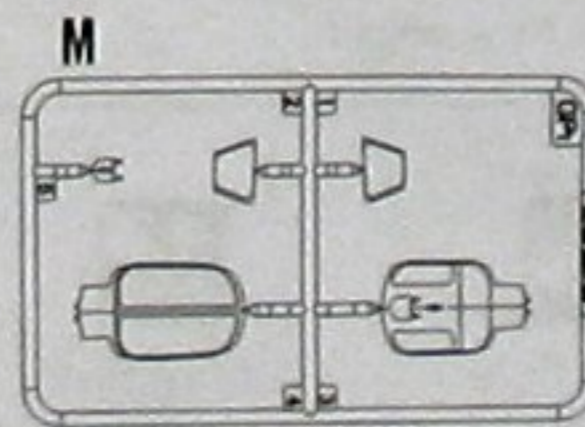
[www.moje Hobby.pl](http://www.moje Hobby.pl) [www.super-hobby.com](http://www.super-hobby.com)

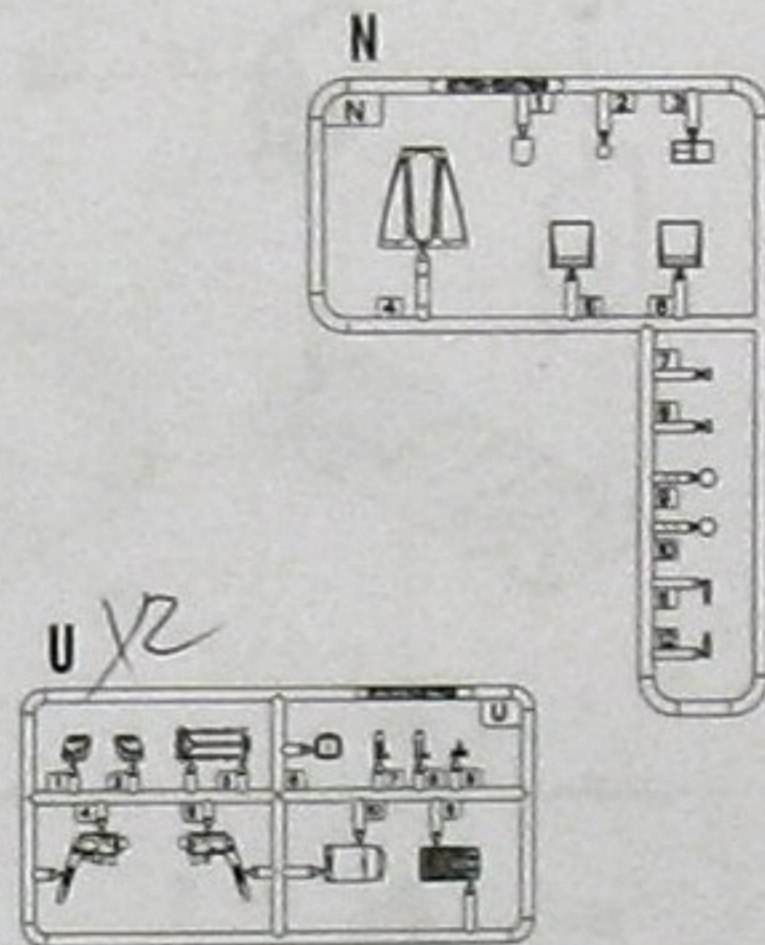
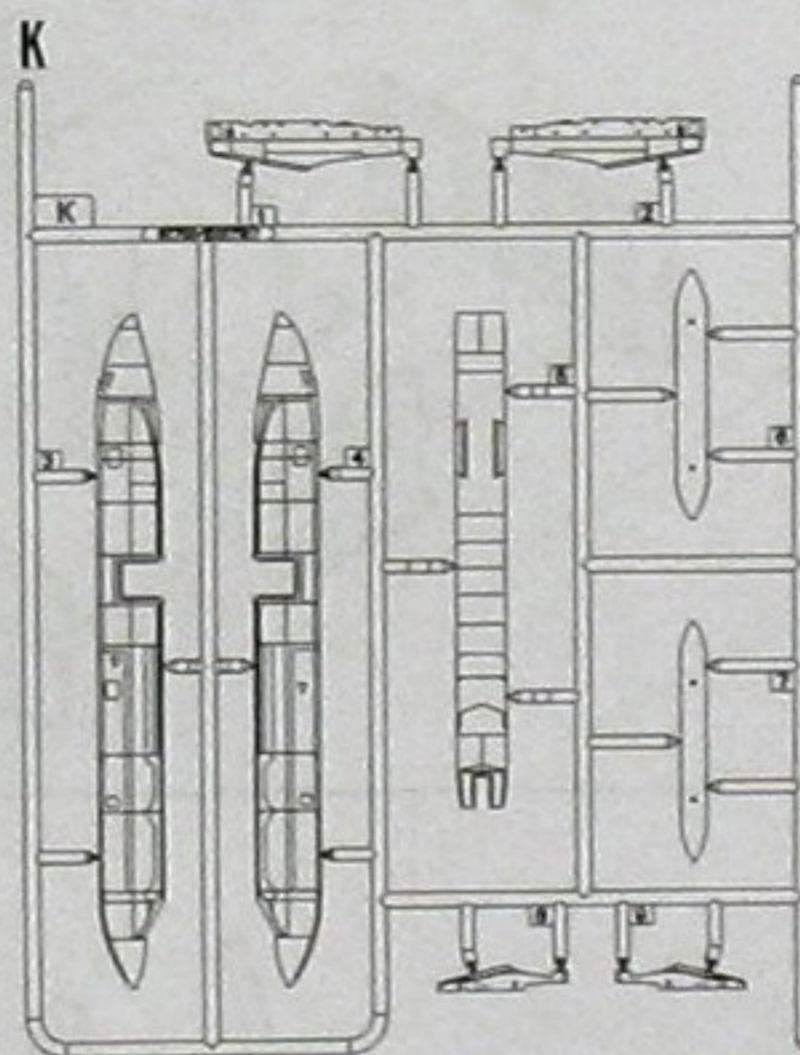
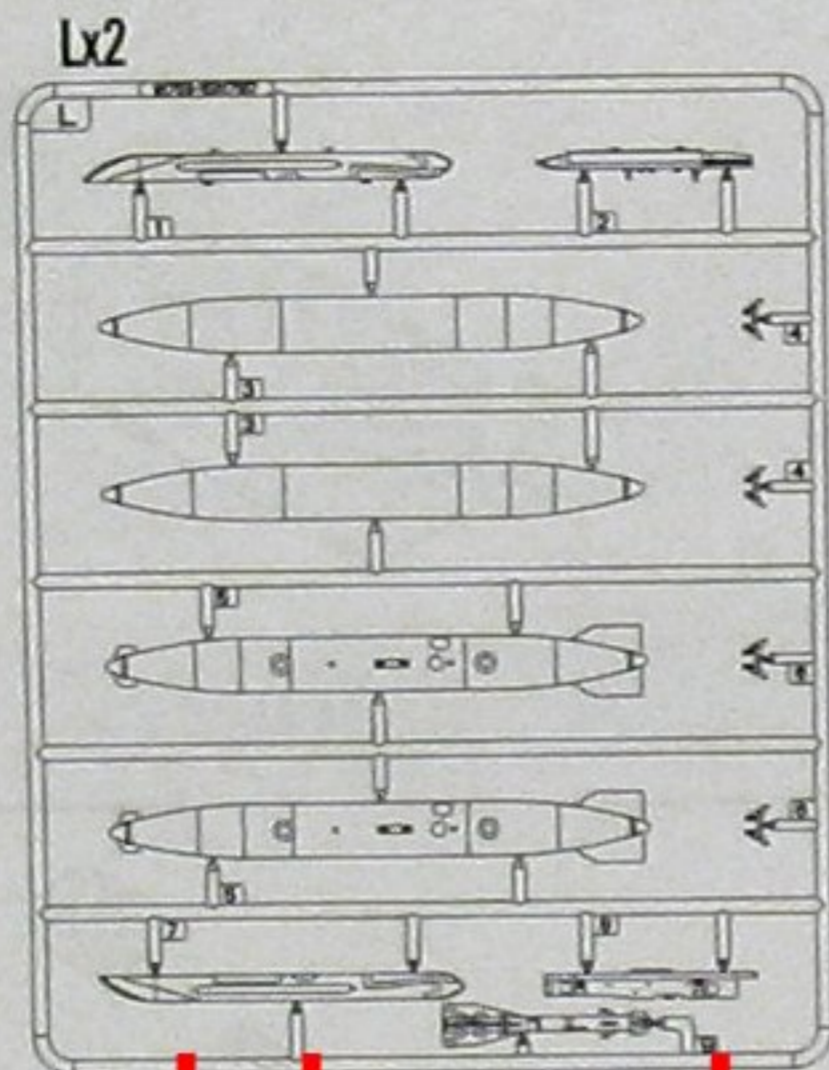
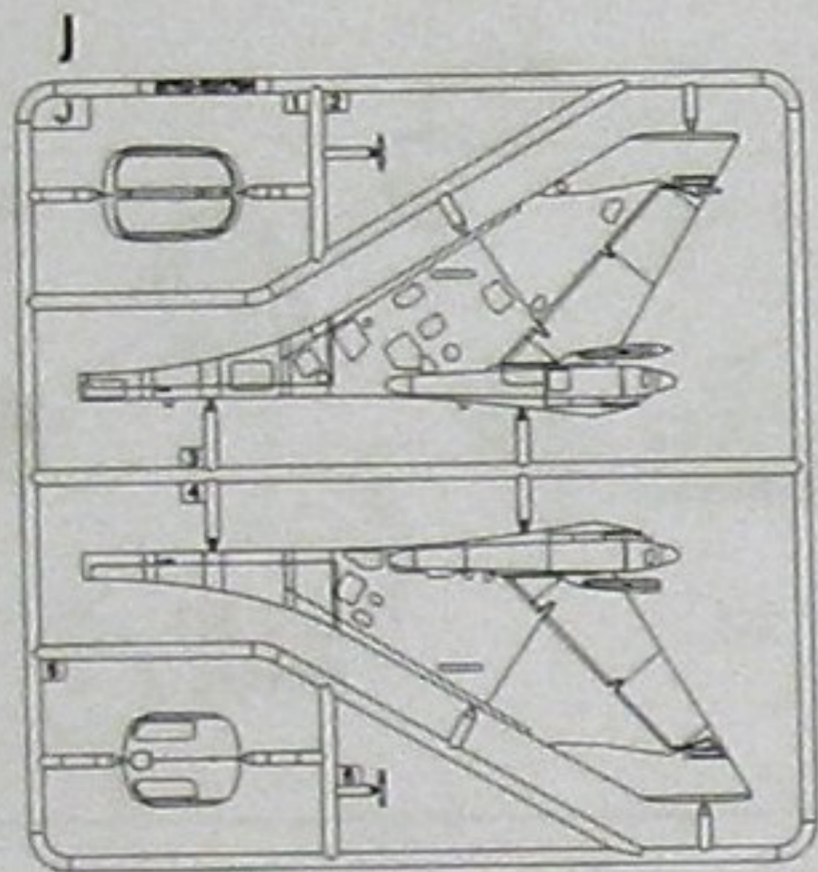


《主轮胎》x2  
Main tyre

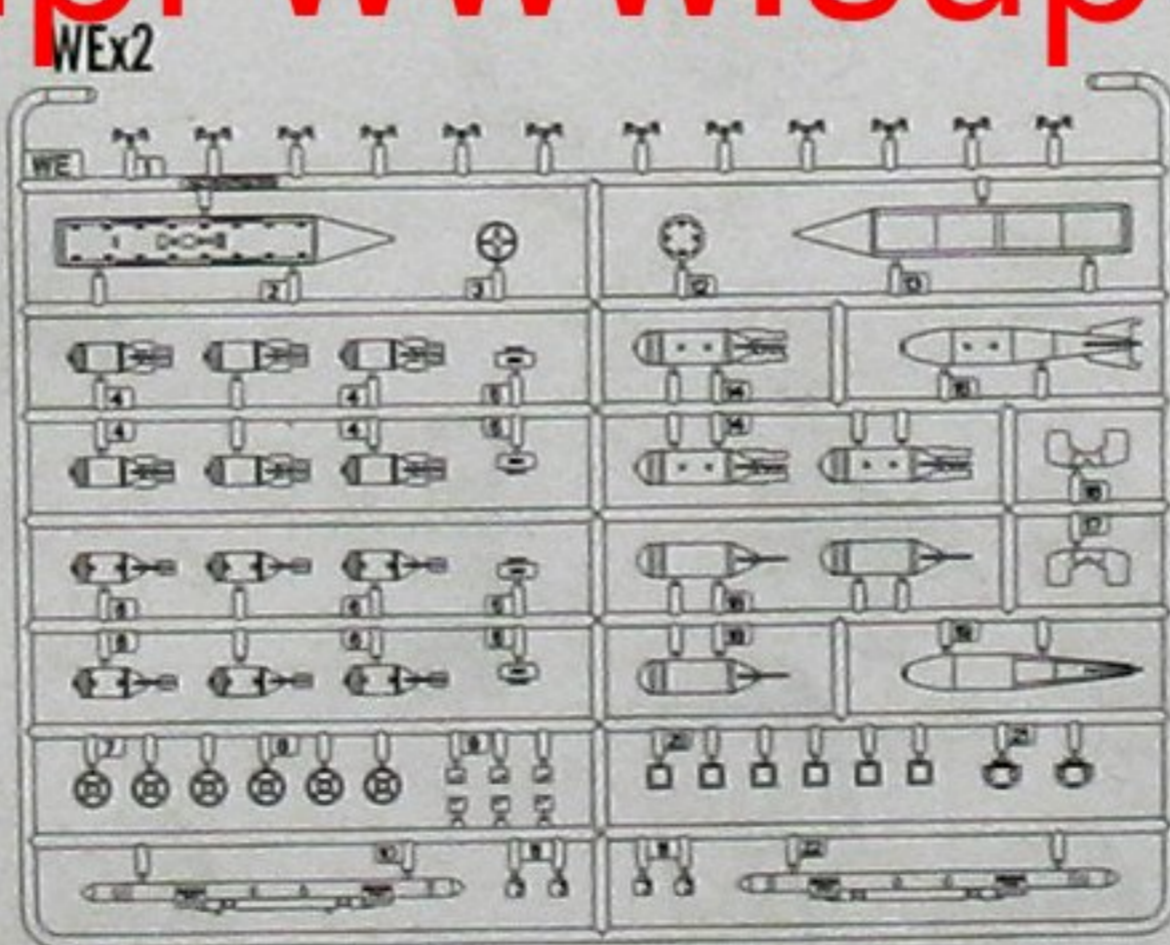
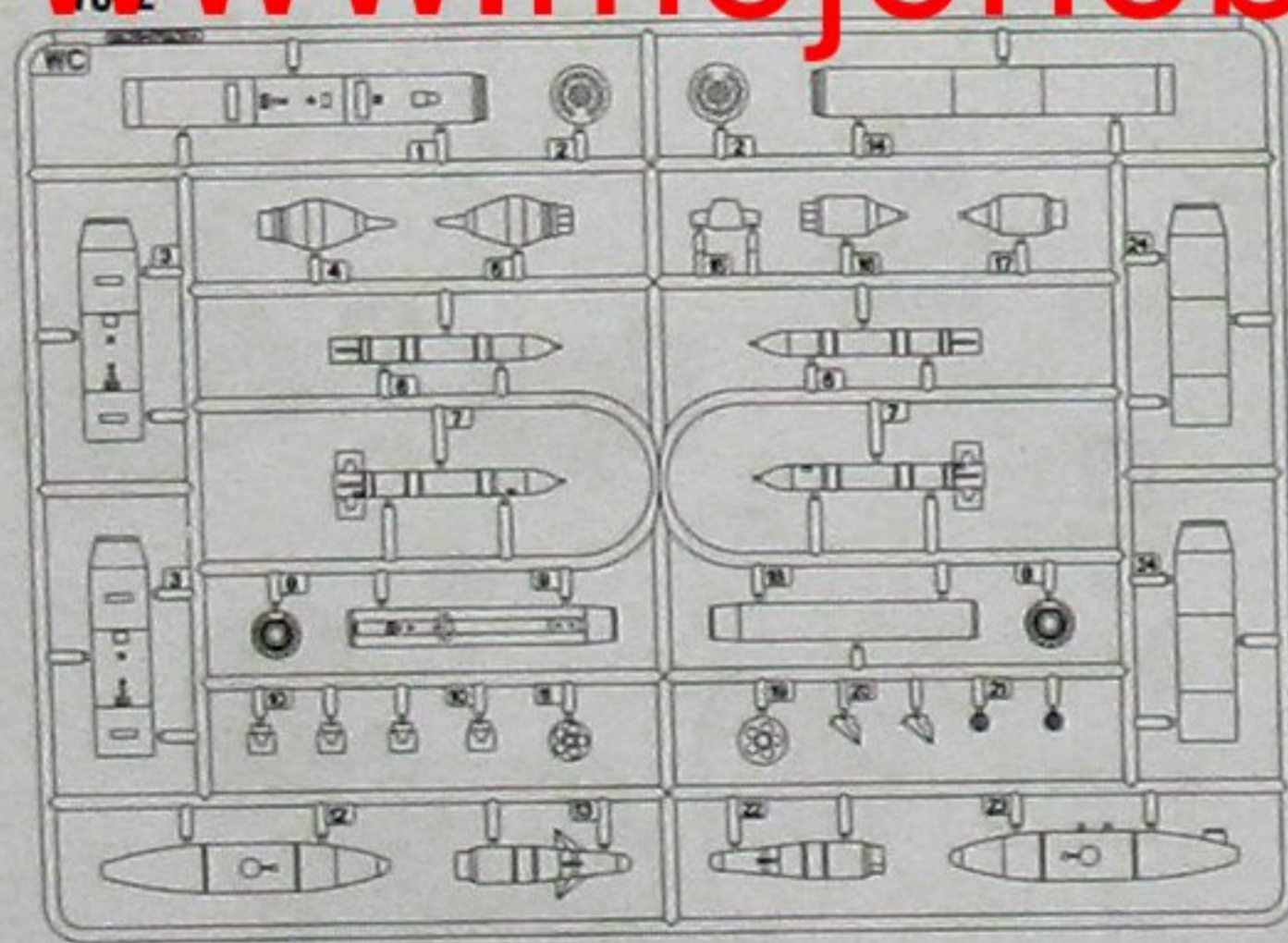


《前轮胎》  
Nose tyre





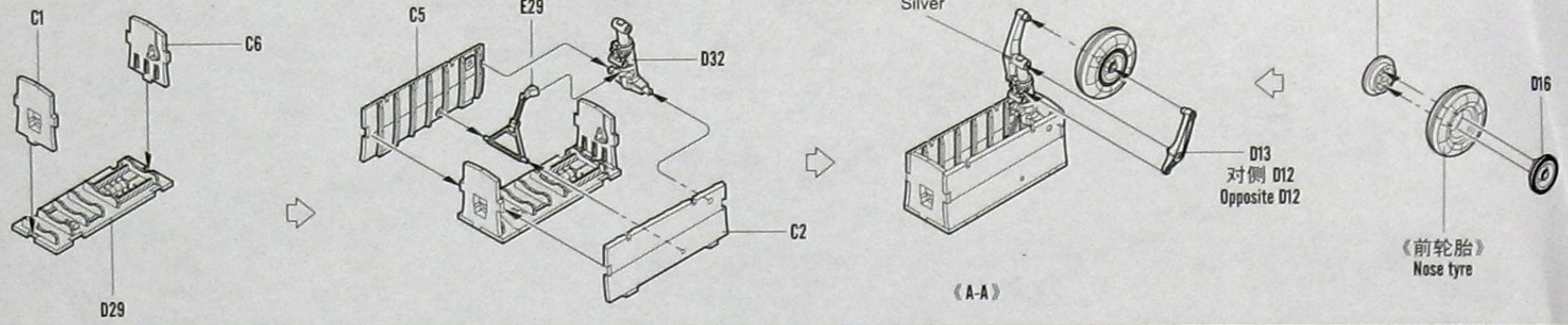
[www.moje Hobby.pl](http://www.moje Hobby.pl) [www.super-hobby.com](http://www.super-hobby.com)



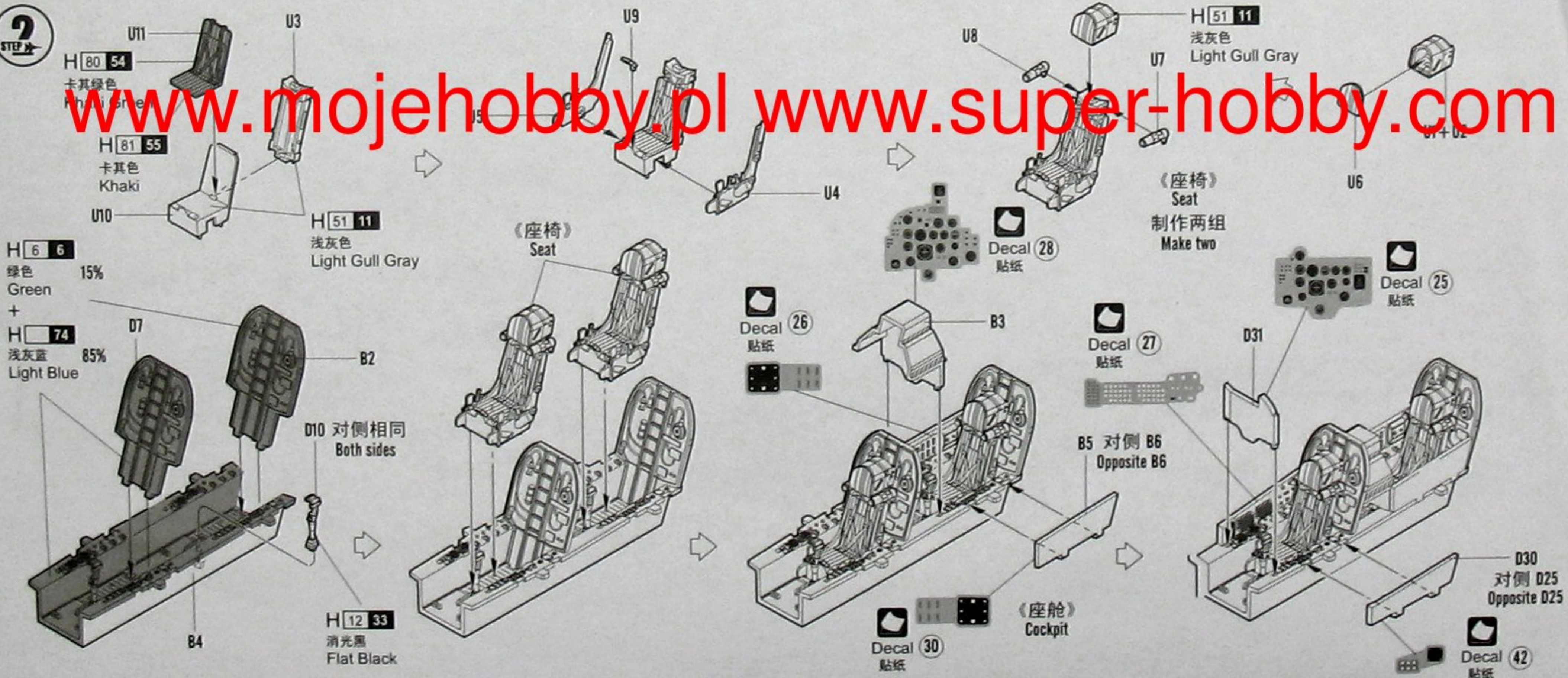
不用部件:  
Unused parts  
WC4 WC5 WC7 WC9 WC12 WC13 WC15 WC16 WC17  
WC18 WC20 WC22 WC23 WE2 WE12 WE13 WE16 WE17

# 更正 correction

1 STEP



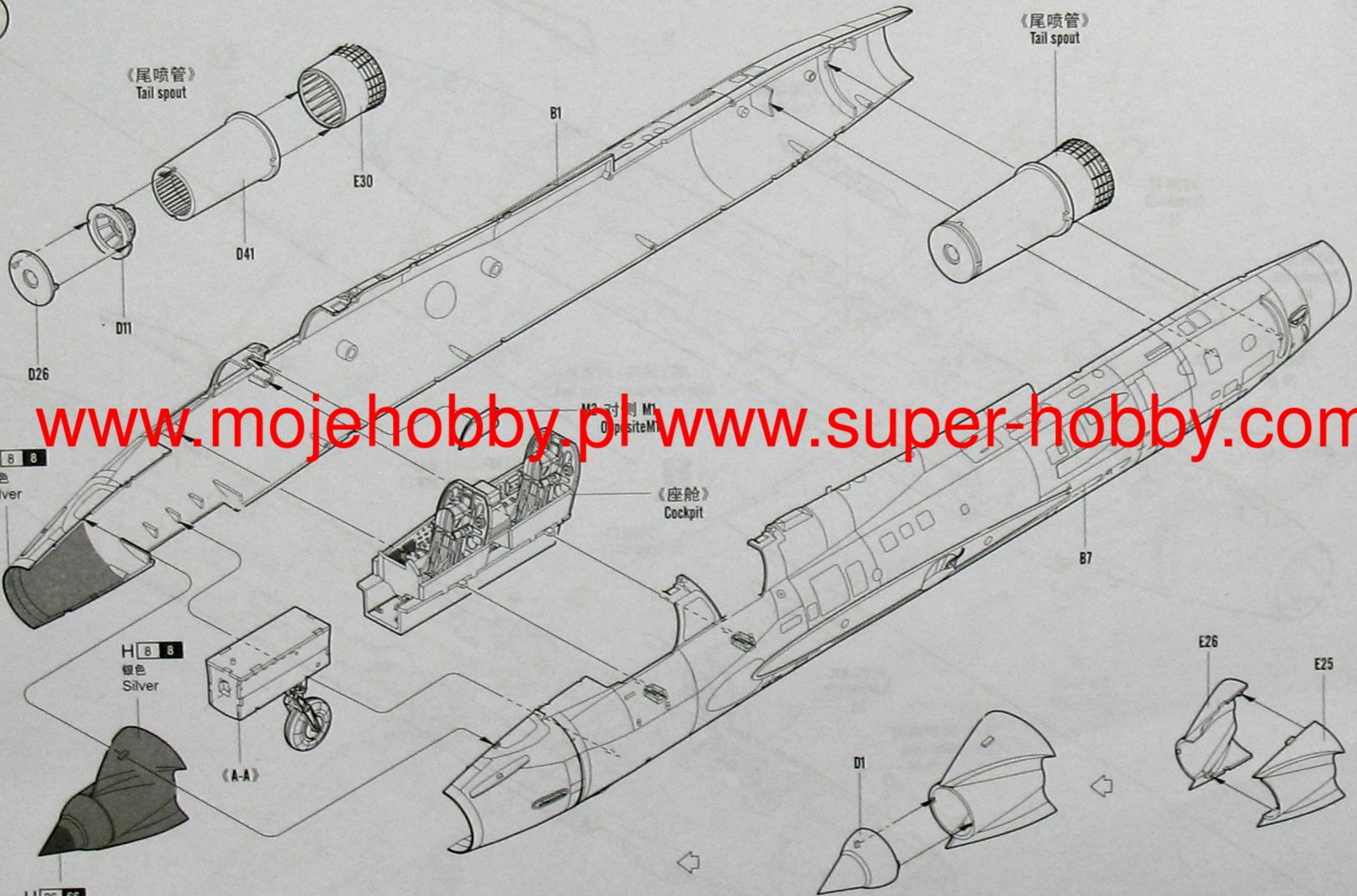
2 STEP



www.moje Hobby.pl www.super-hobby.com

《尾喷管》  
Tail spout

《尾喷管》  
Tail spout



www.moje hobby.pl www.super-hobby.com

H 8 8  
银色  
Silver

H 8 8  
银色  
Silver

H 26 66  
浅绿色

M2 对侧 M1  
Opposite M1

《座舱》  
Cockpit

(A-A)

D1

E26

E25

B7

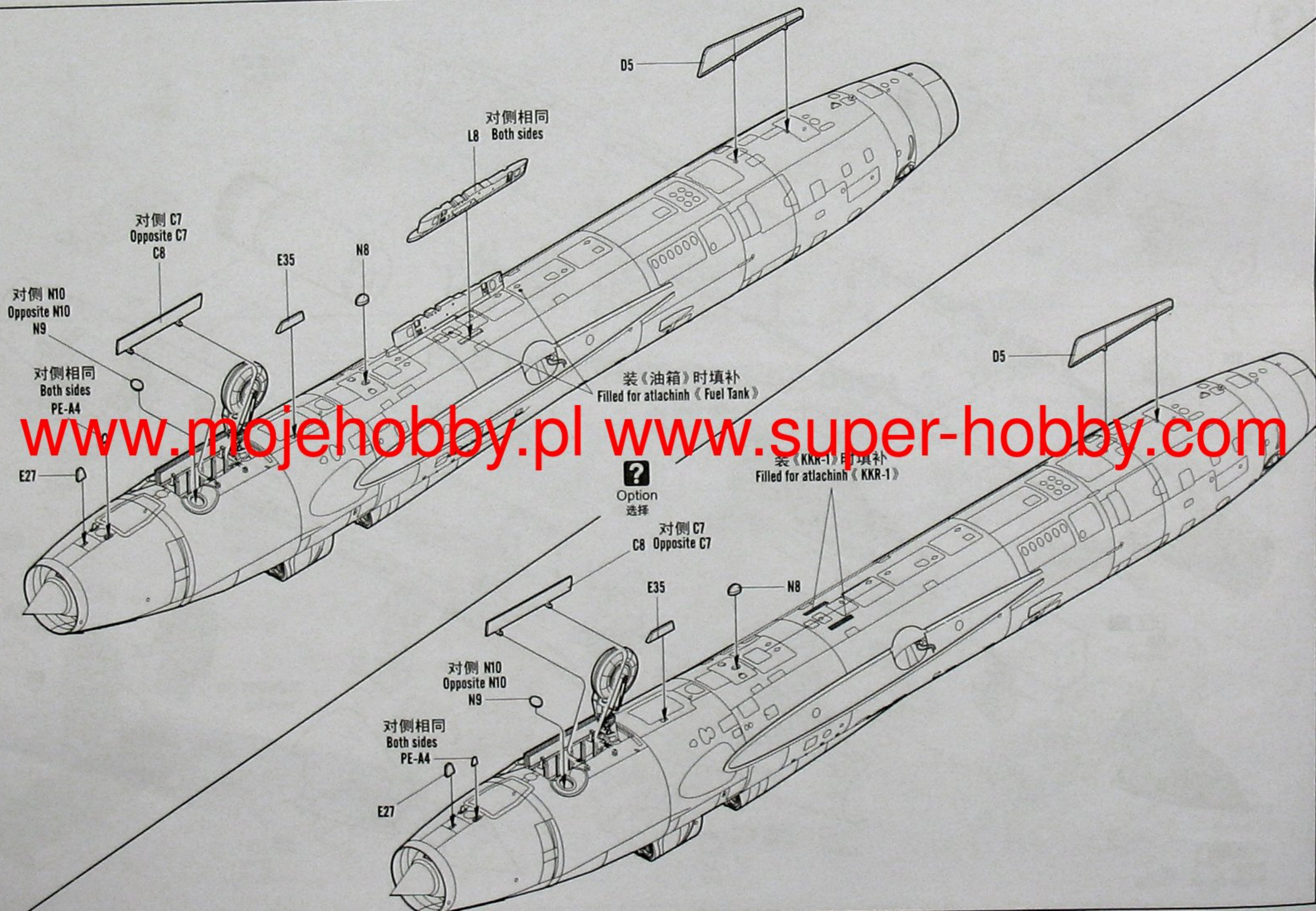
B1

E30

D41

D11

D26



?  
Option  
选择  
D38

I4

J3

?  
Option  
选择

N7

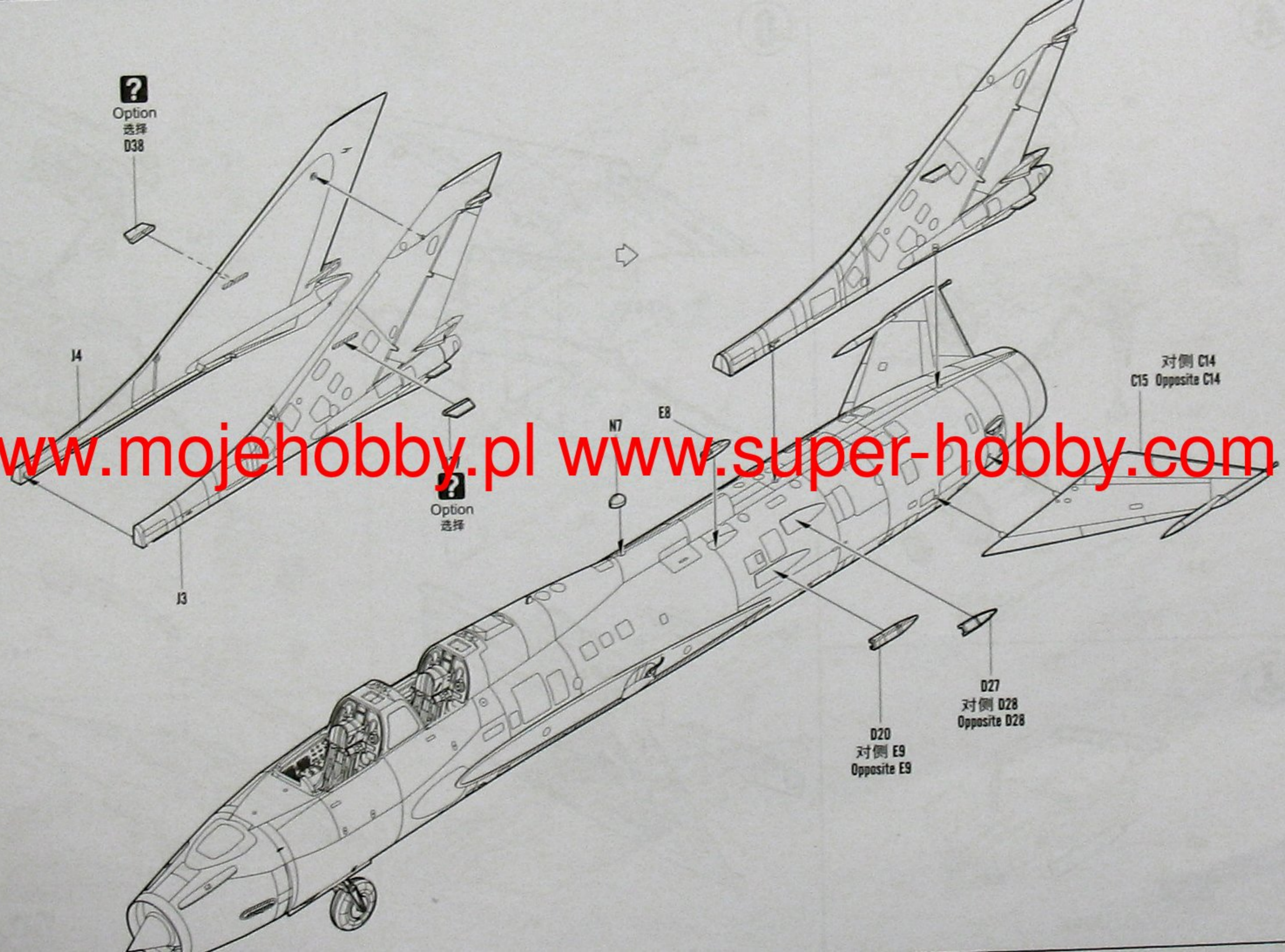
E8

对侧 C14  
C15 Opposite C14

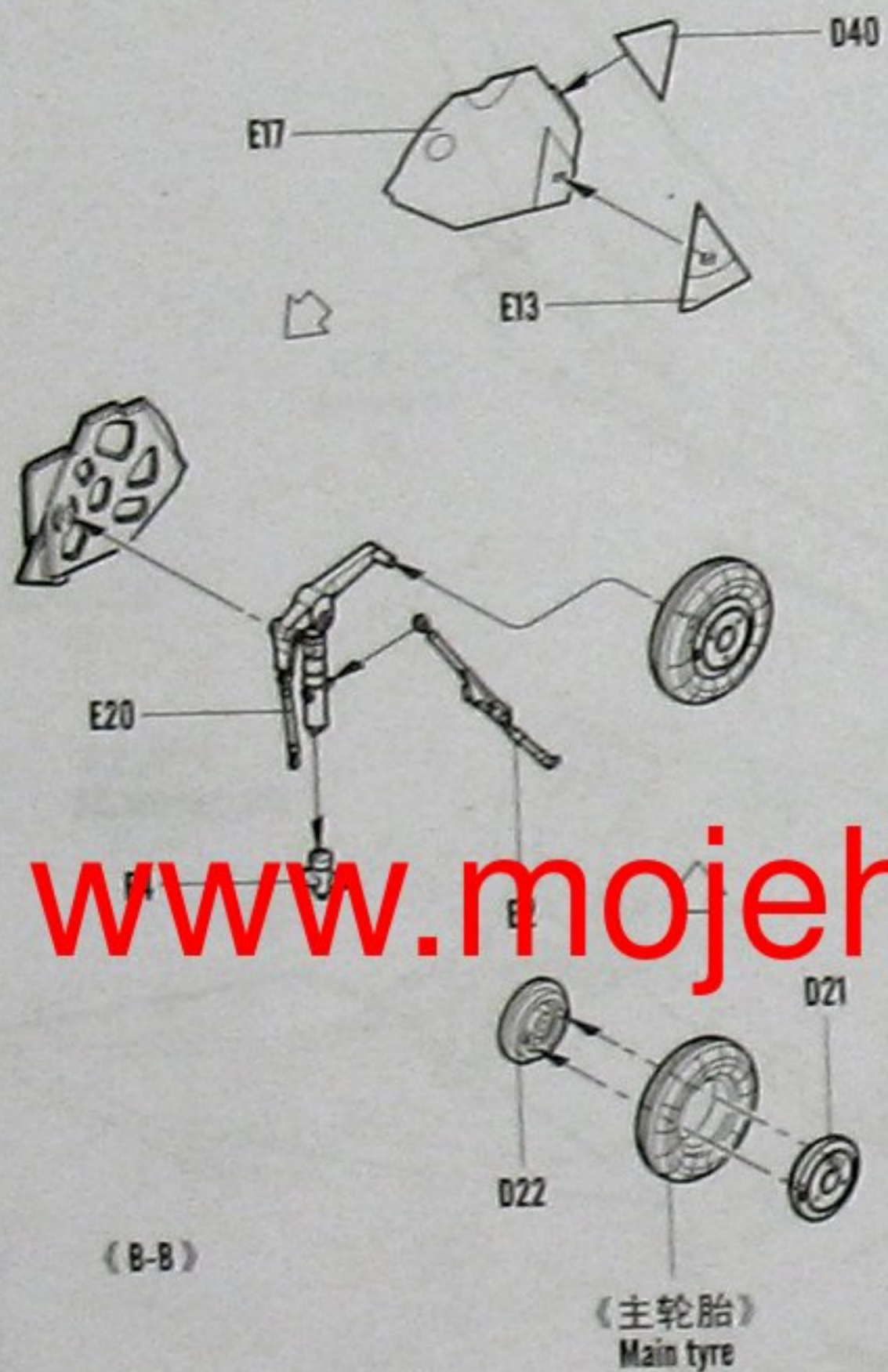
D27  
对侧 D28  
Opposite D28

D20  
对侧 E9  
Opposite E9

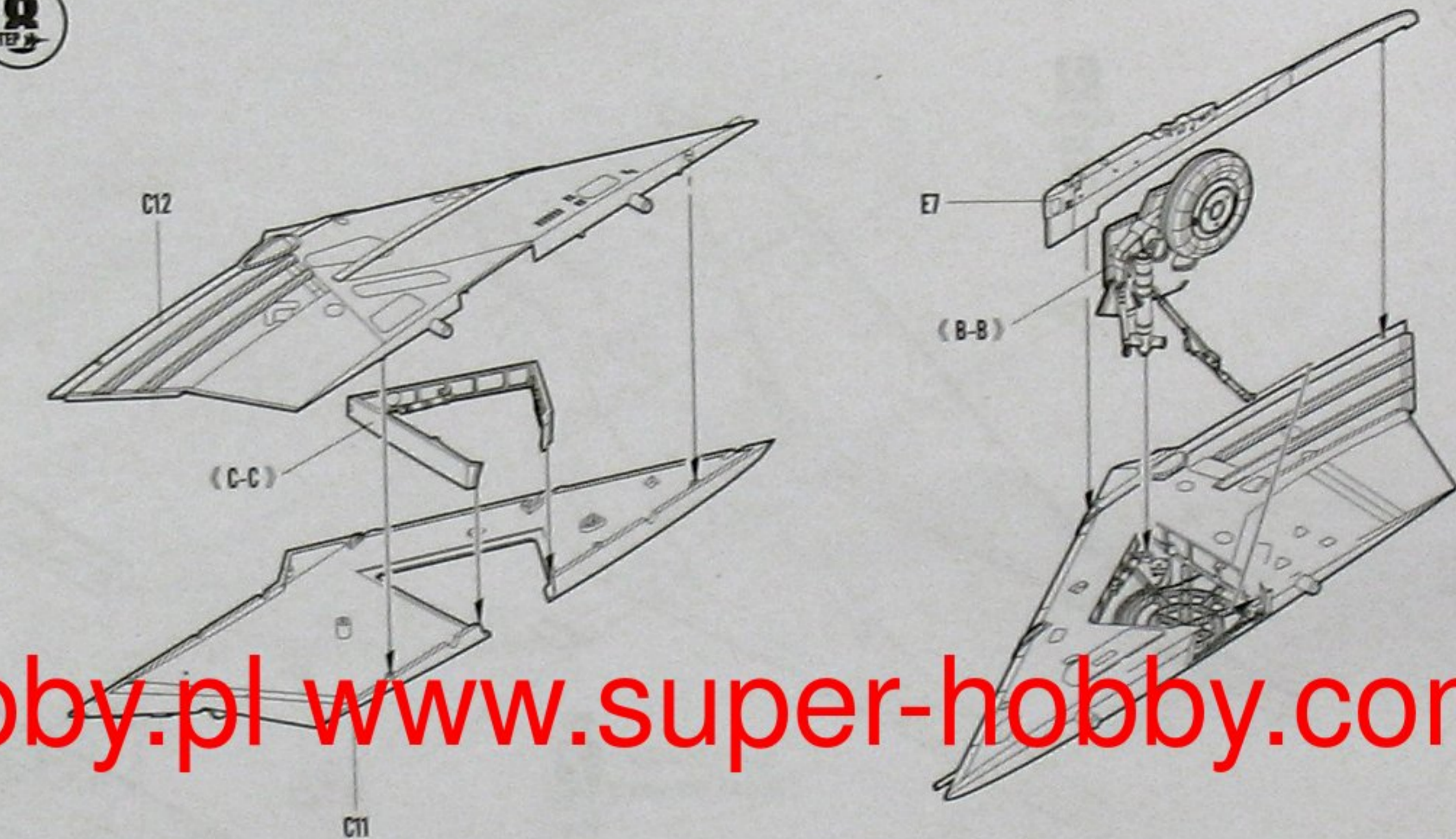
[www.mojehobby.pl](http://www.mojehobby.pl) [www.super-hobby.com](http://www.super-hobby.com)



6  
STEP

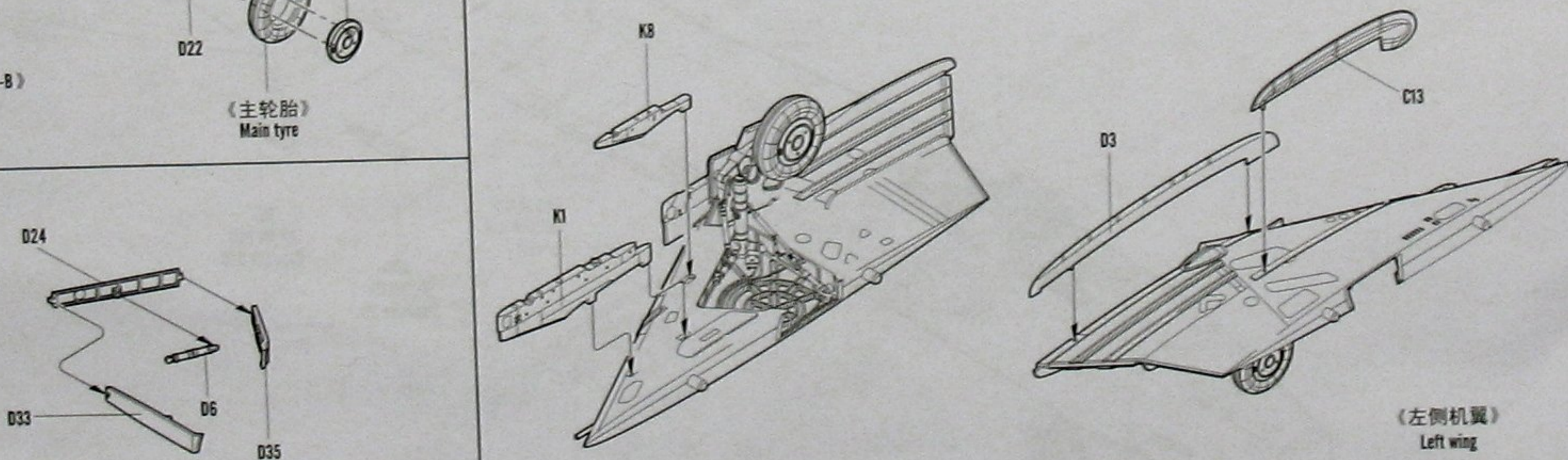


8  
STEP



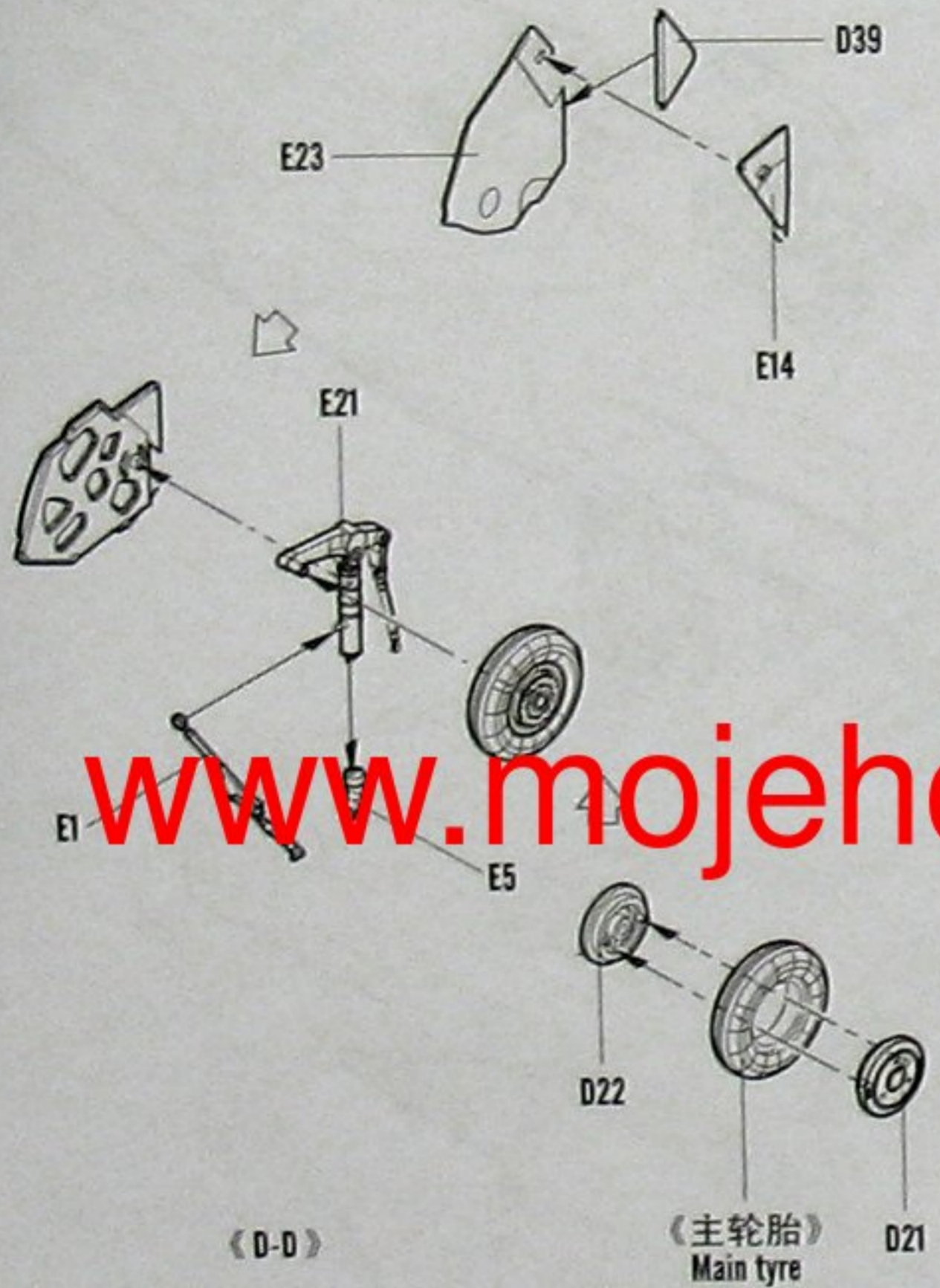
www.moje hobby.pl www.super-hobby.com

7  
STEP

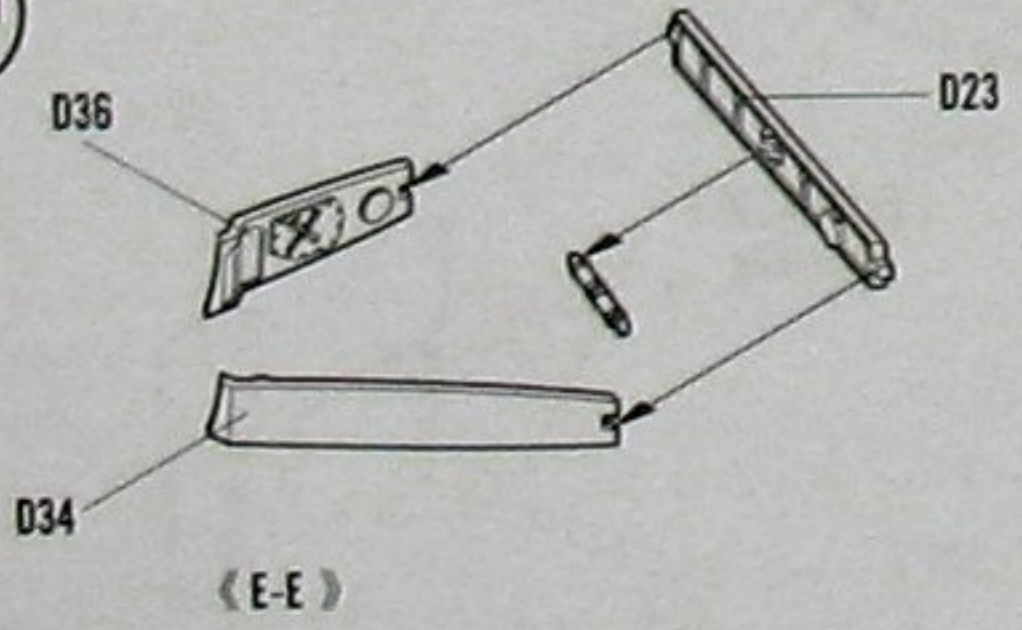




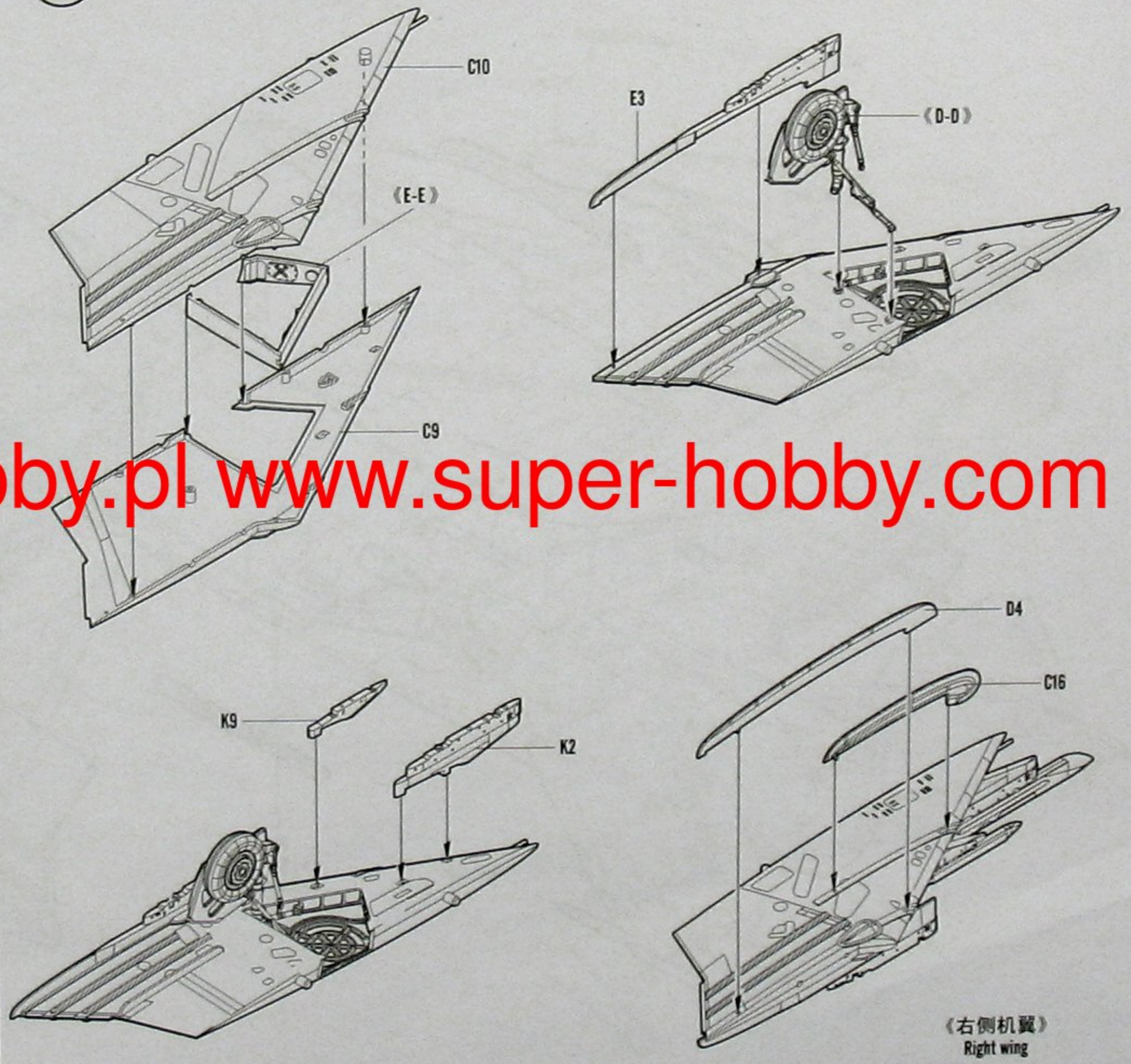
9  
STEP



10  
STEP



11  
STEP



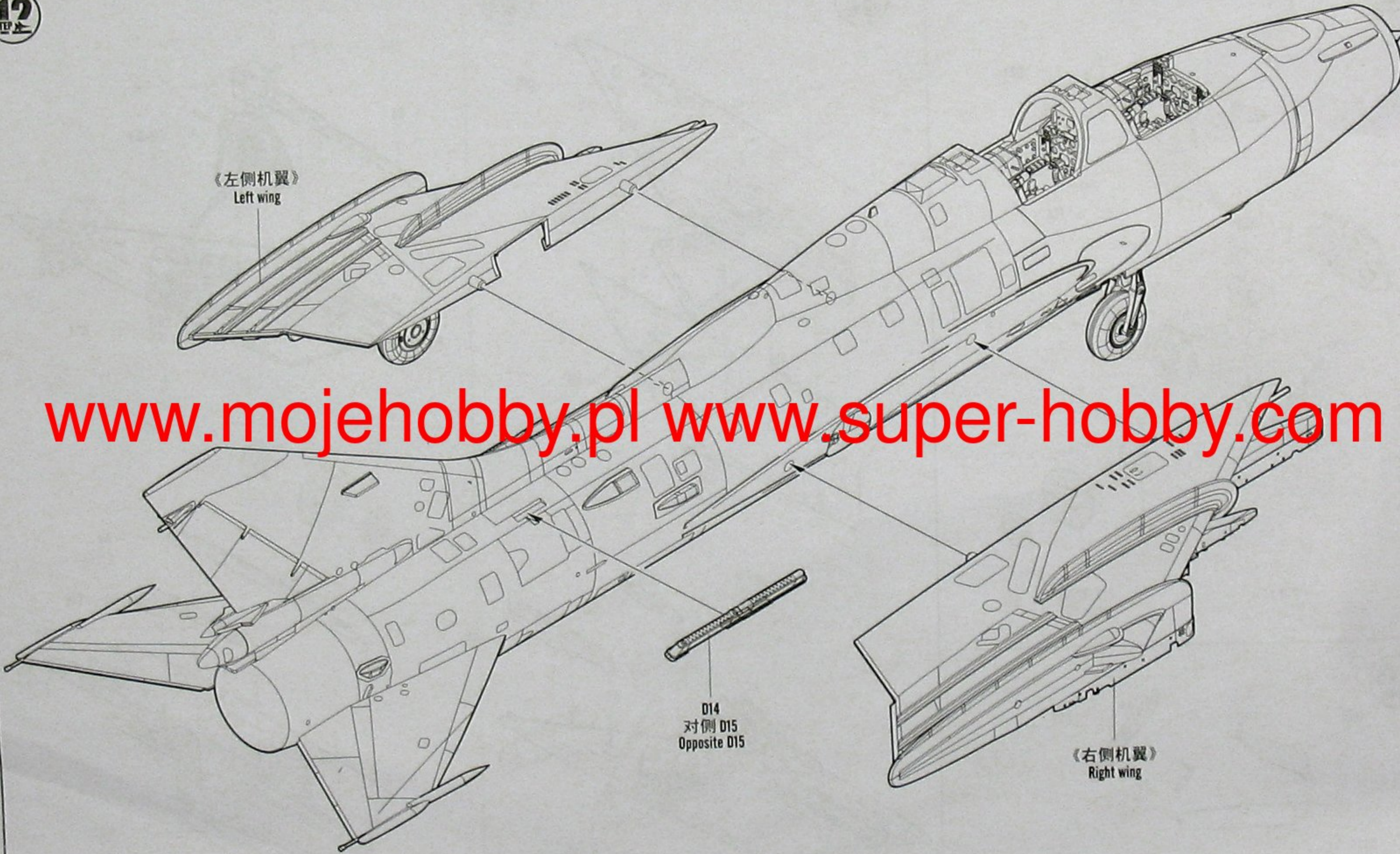
www.mojehobby.pl www.super-hobby.com

《左侧机翼》  
Left wing

D14  
对侧 D15  
Opposite D15

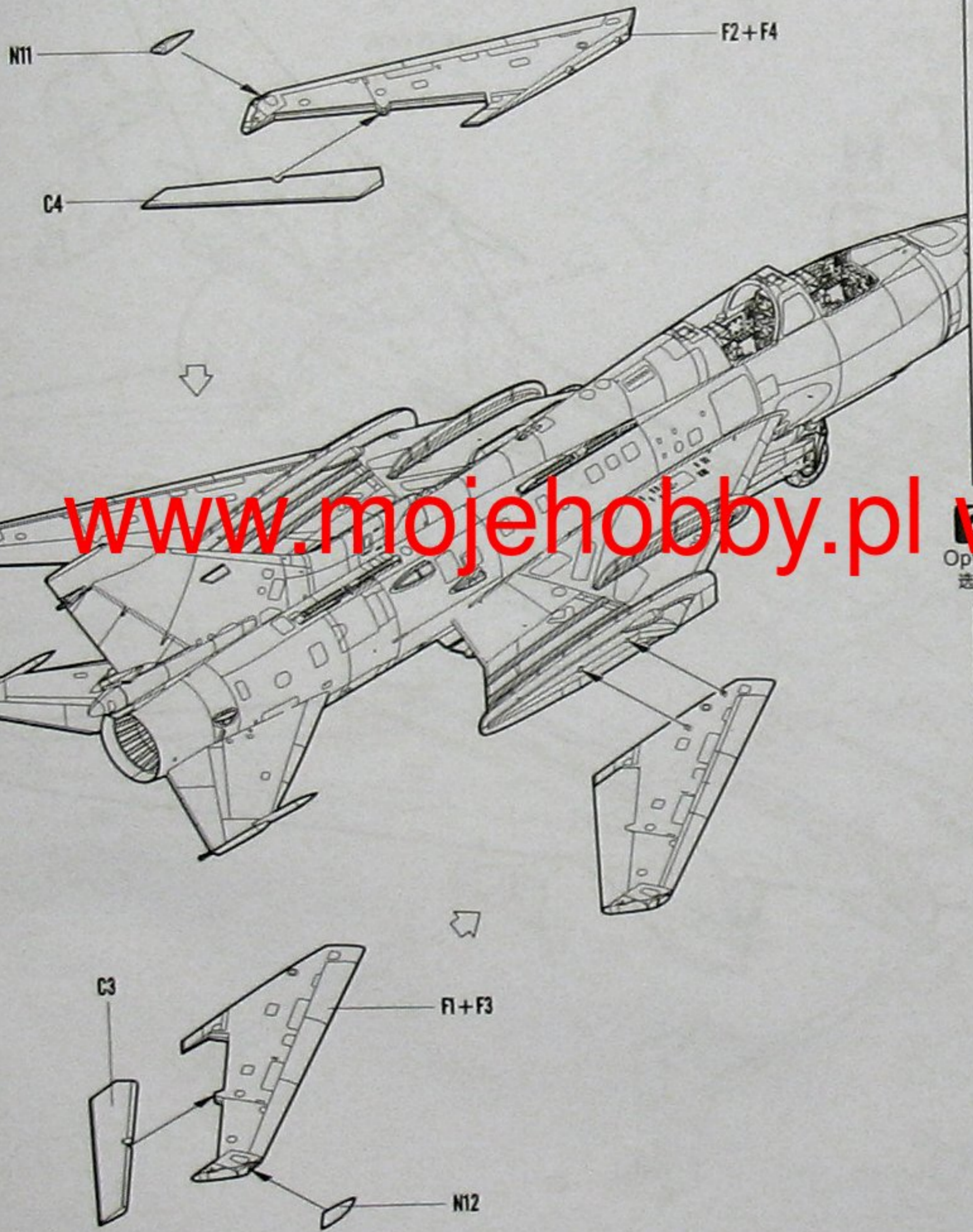
《右侧机翼》  
Right wing

[www.mojehobby.pl](http://www.mojehobby.pl) [www.super-hobby.com](http://www.super-hobby.com)

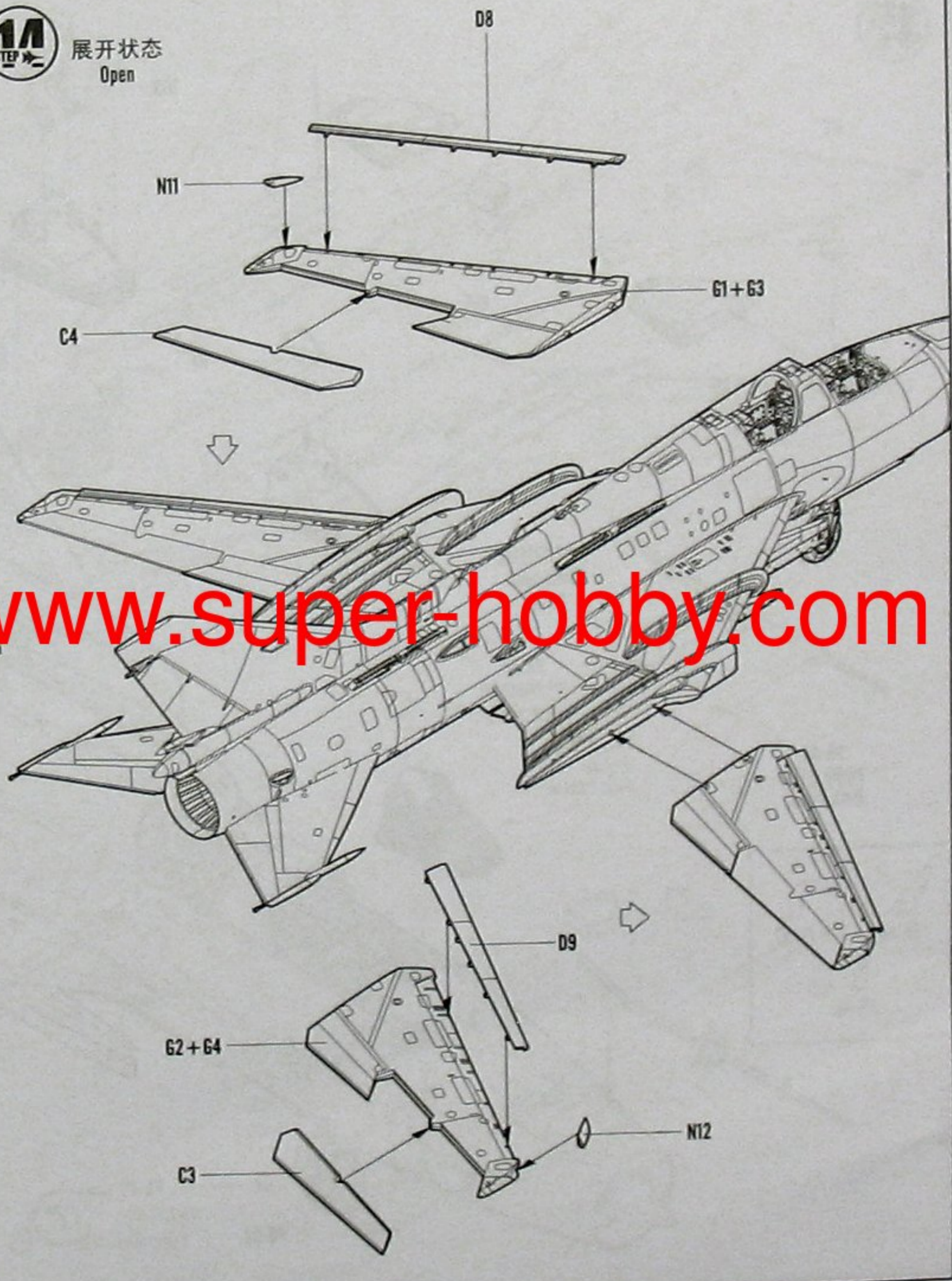




折叠状态  
Folding



展开状态  
Open



Option  
选择

[www.moje Hobby.pl](http://www.moje Hobby.pl) [www.super-hobby.com](http://www.super-hobby.com)



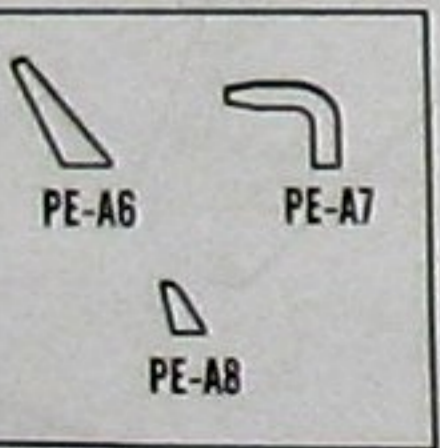
[www.moje Hobby.pl](http://www.moje Hobby.pl) [www.super-hobby.com](http://www.super-hobby.com)

对侧相同  
Both sides  
E-16

PE-A7  
对侧相同  
Both sides

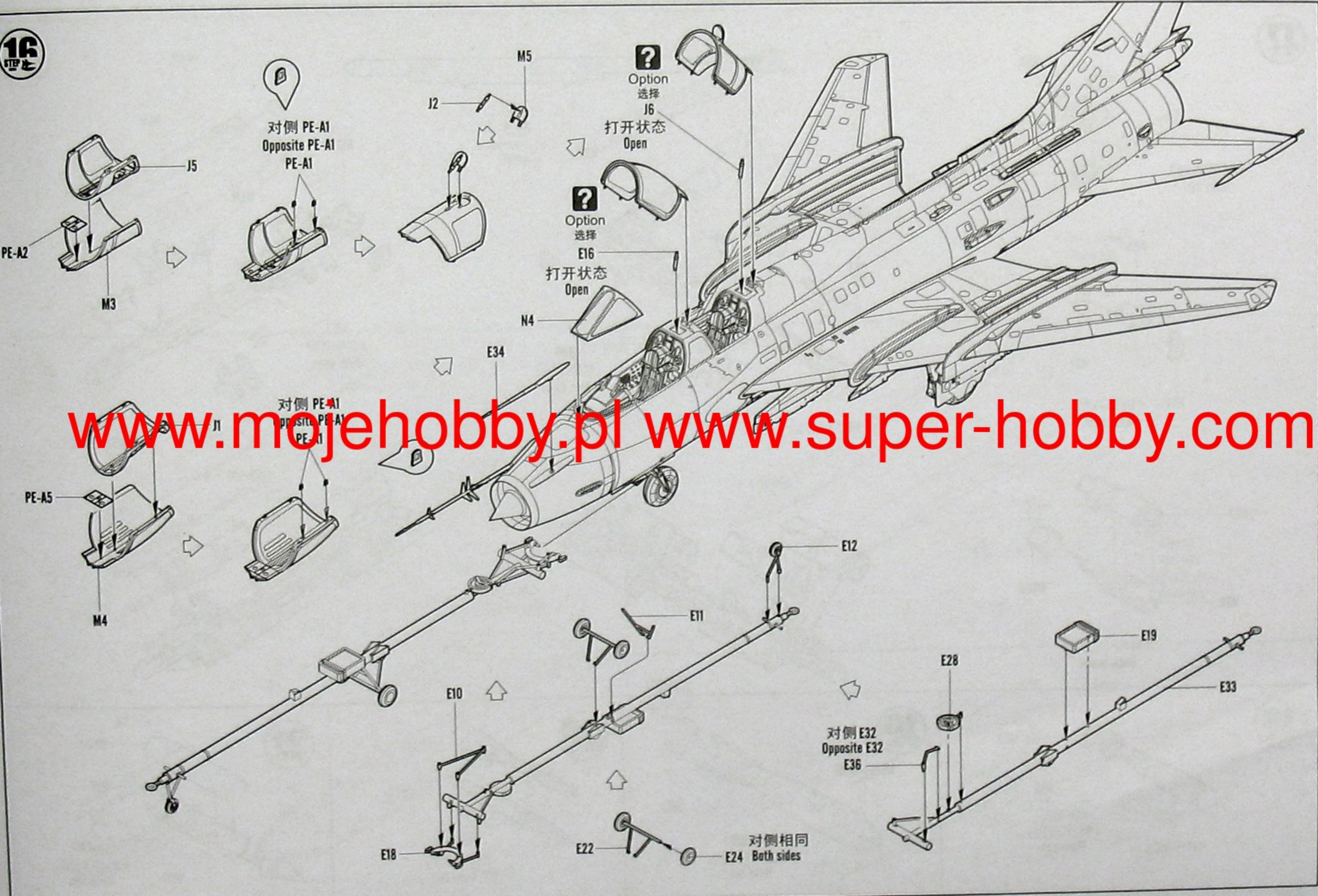
PE-A8  
对侧相同  
Both sides

H 12 33  
消光黑  
Flat Black



PE-A9

PE-A3



对侧 PE-A1  
Opposite PE-A1  
PE-A1

?  
Option  
选择  
J6  
打开状态  
Open

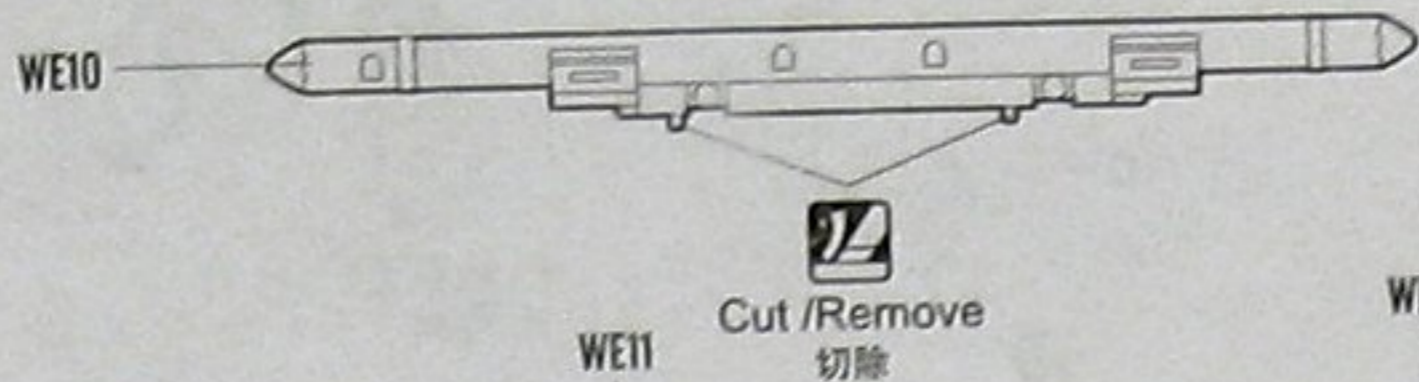
?  
Option  
选择  
E16  
打开状态  
Open

对侧 PE-A1  
Opposite PE-A1  
PE-A1

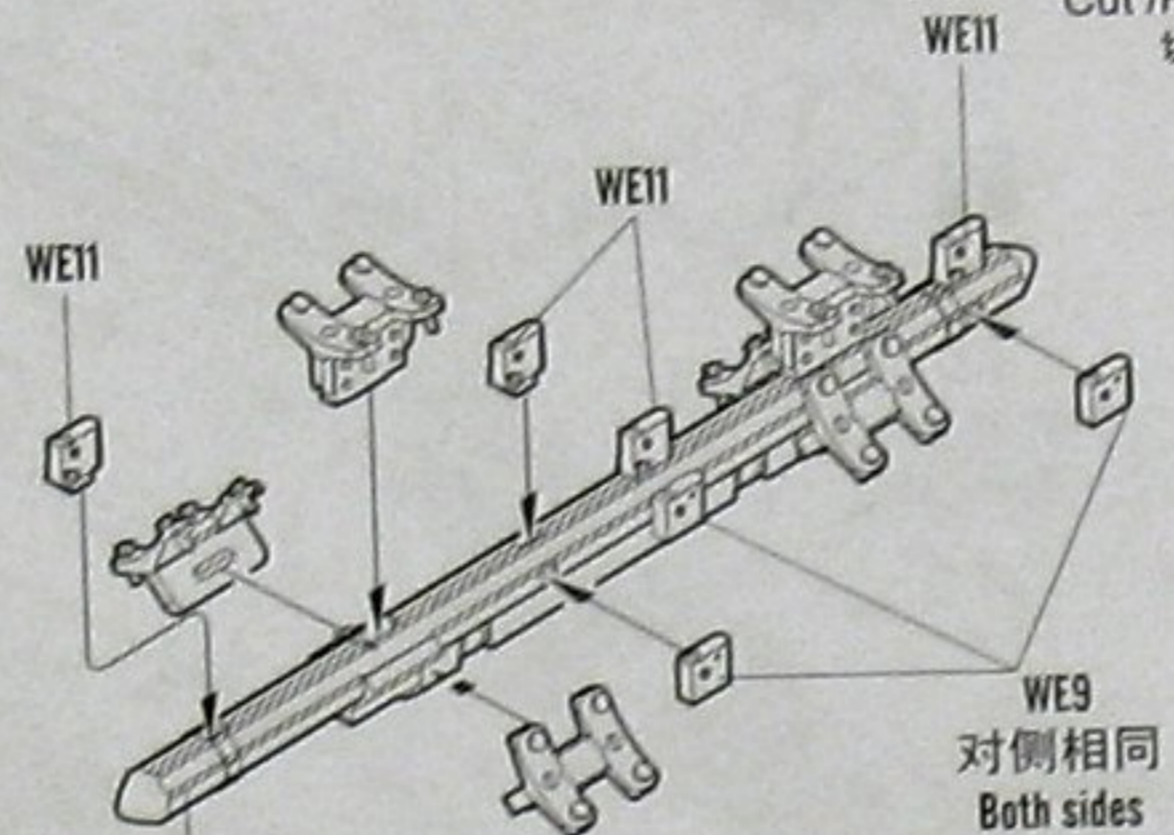
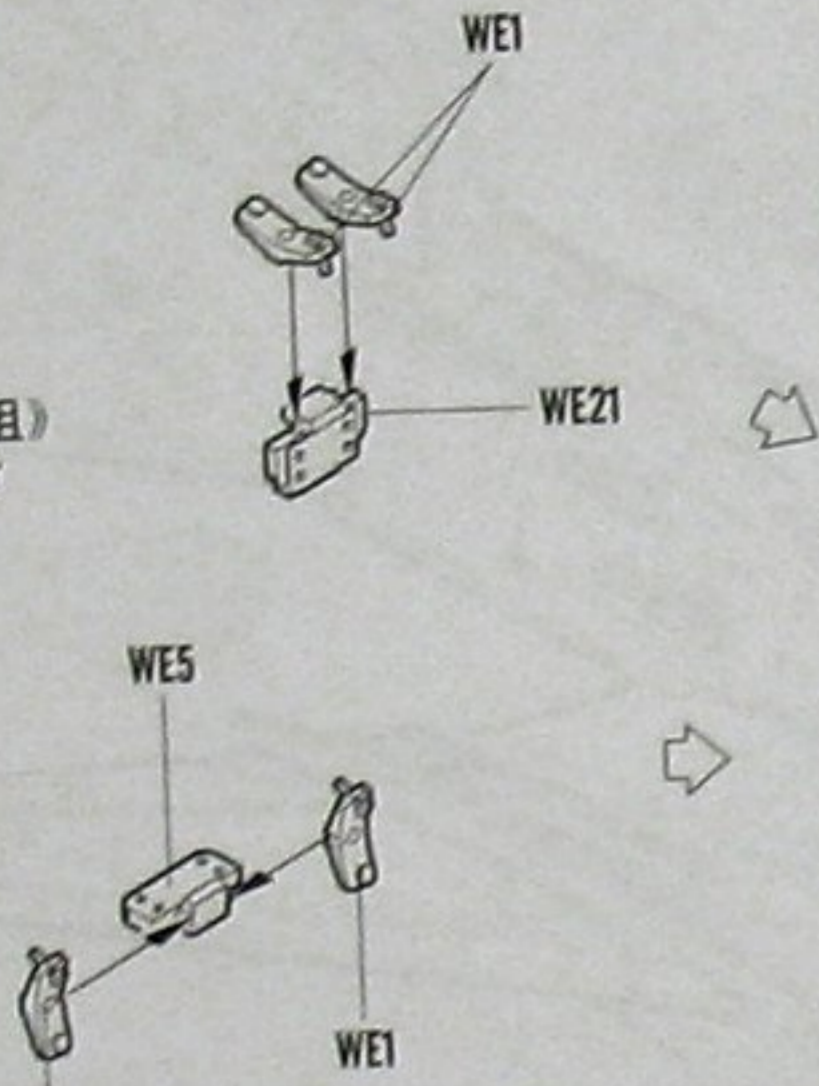
www.mojehobby.pl www.super-hobby.com

对侧 E32  
Opposite E32  
E36

对侧相同  
Both sides  
E24

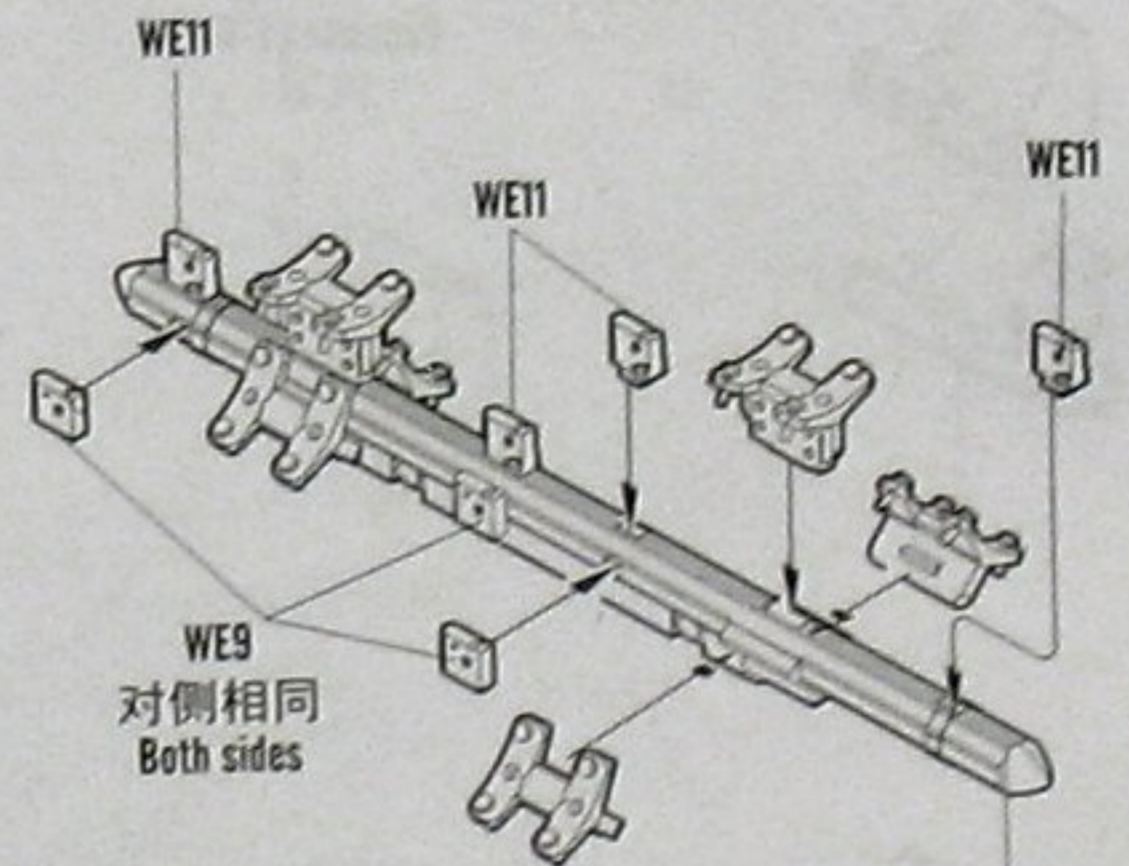


《制作四组》  
Make four



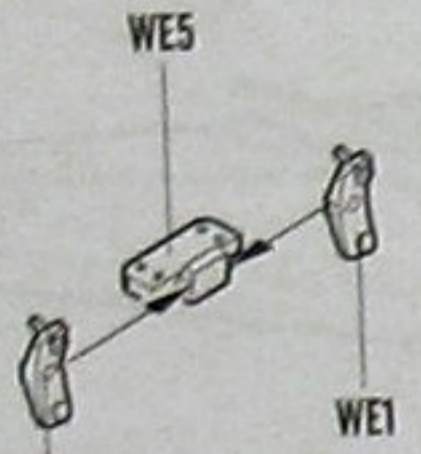
Cut / Remove  
切除

WE9  
对侧相同  
Both sides

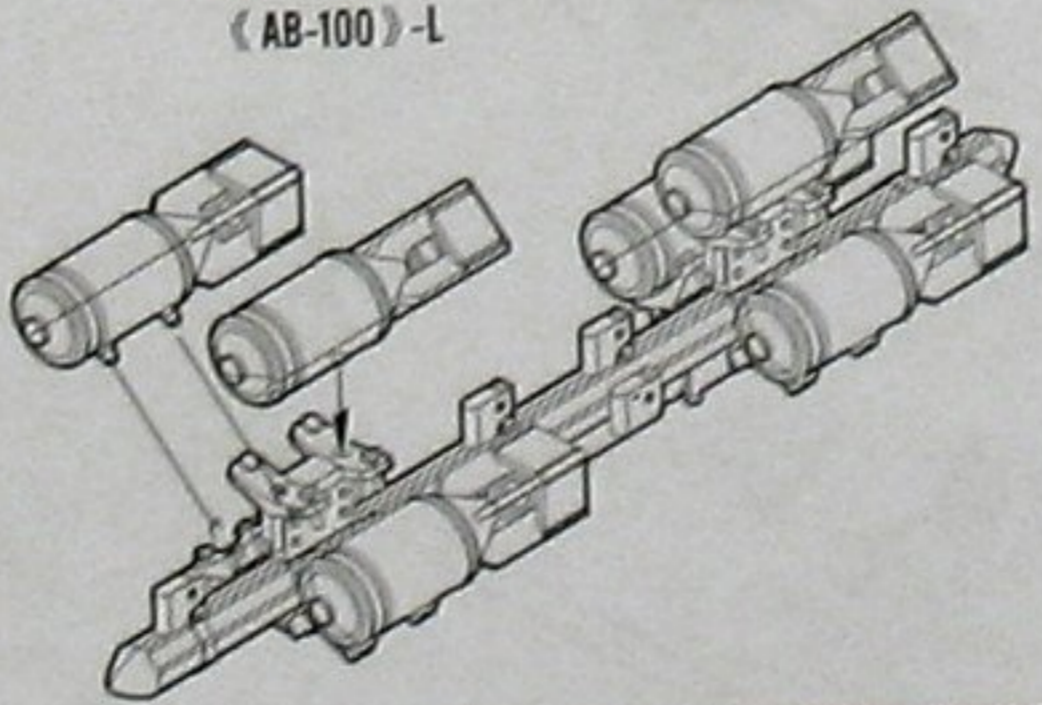


www.moje hobby.pl www.super-hobby.com

《制作八组》  
Make eight

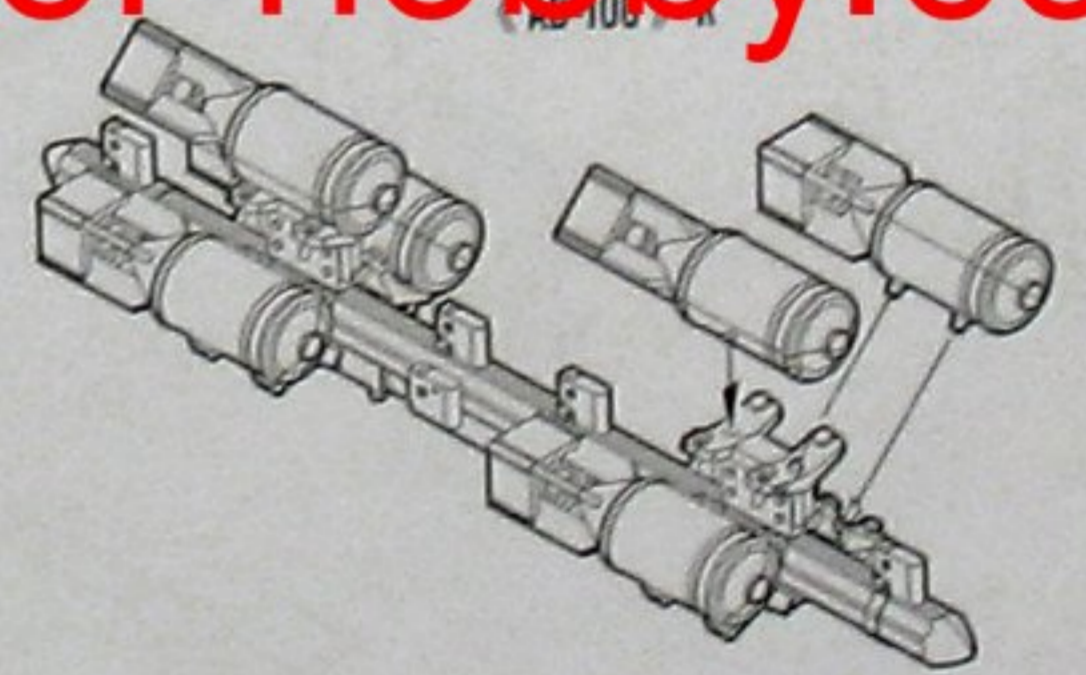
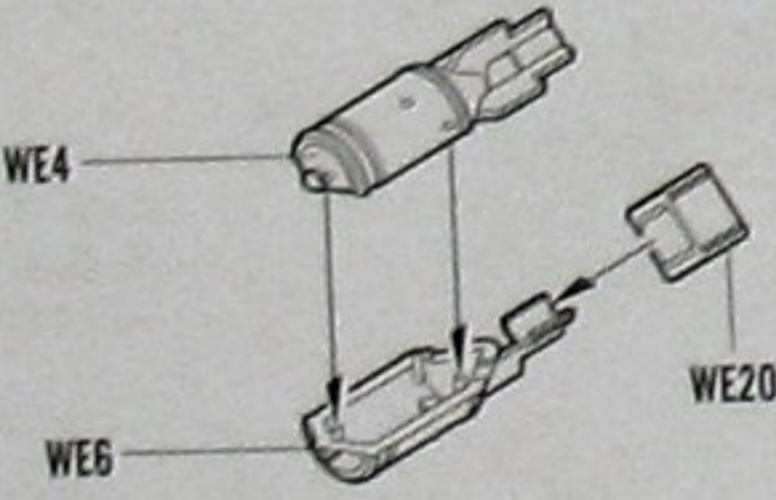


《AB-100》-L

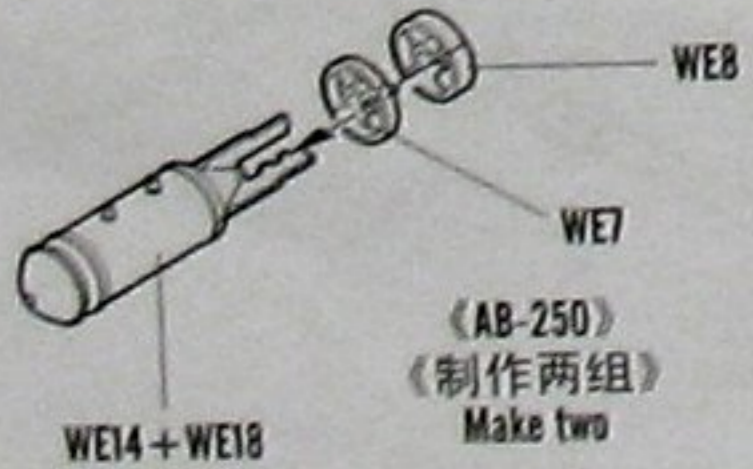


WE4

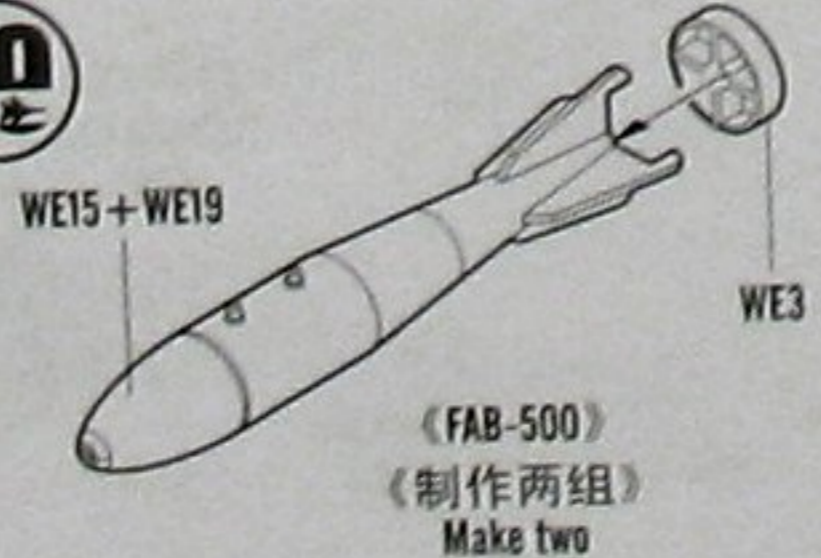
《制作十二组》  
Make twelve



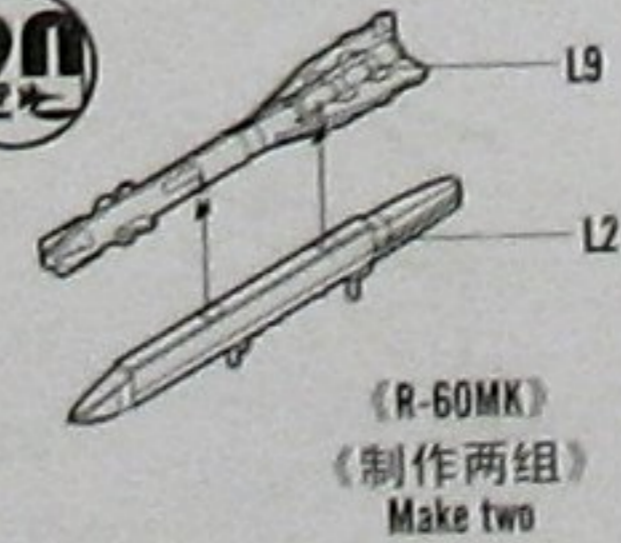
WE10+WE22



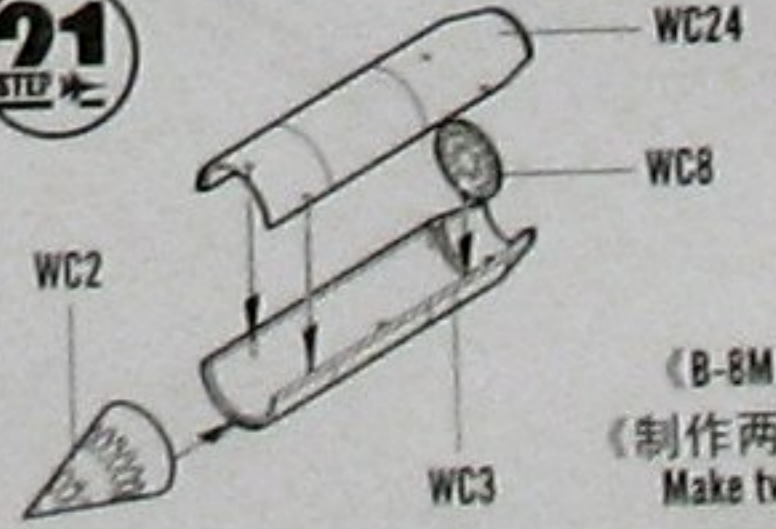
《AB-250》  
《制作两组》  
Make two



《FAB-500》  
《制作两组》  
Make two

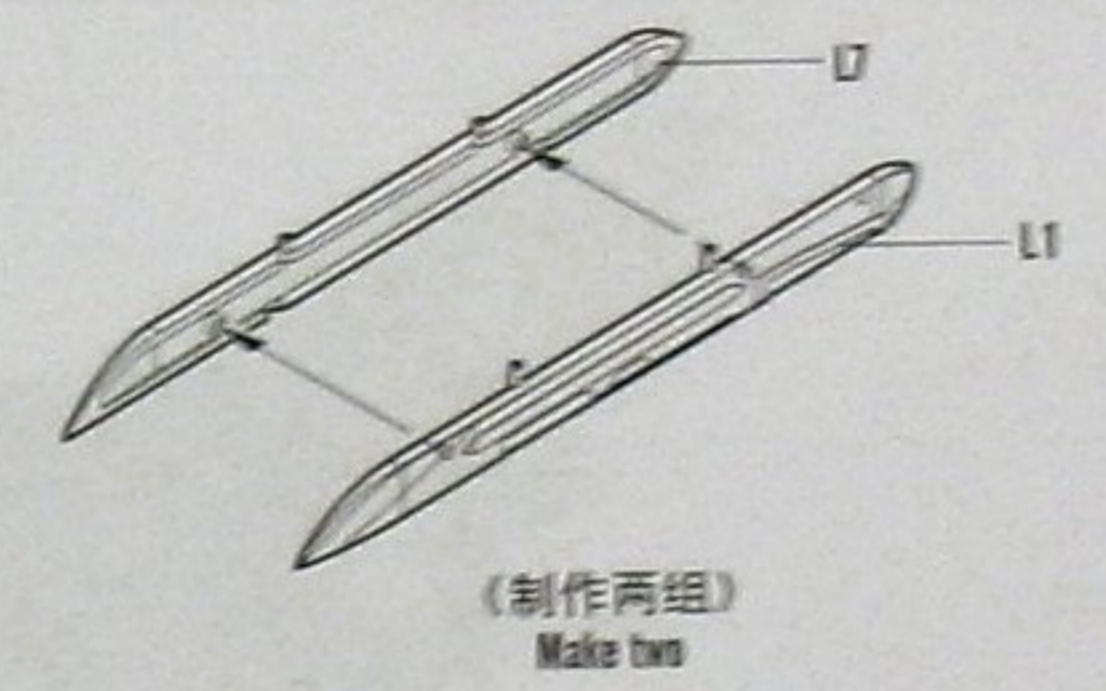
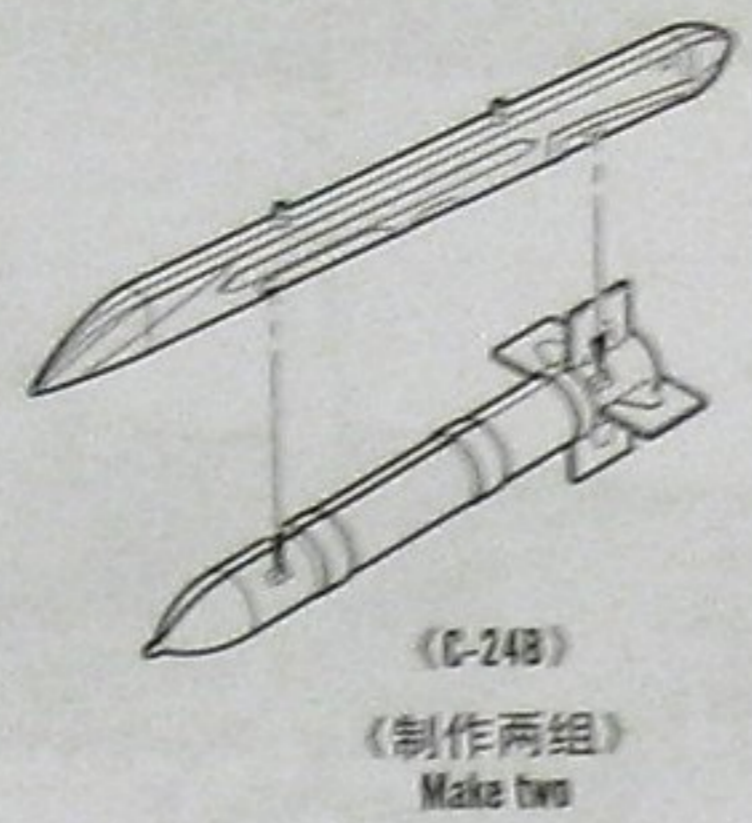
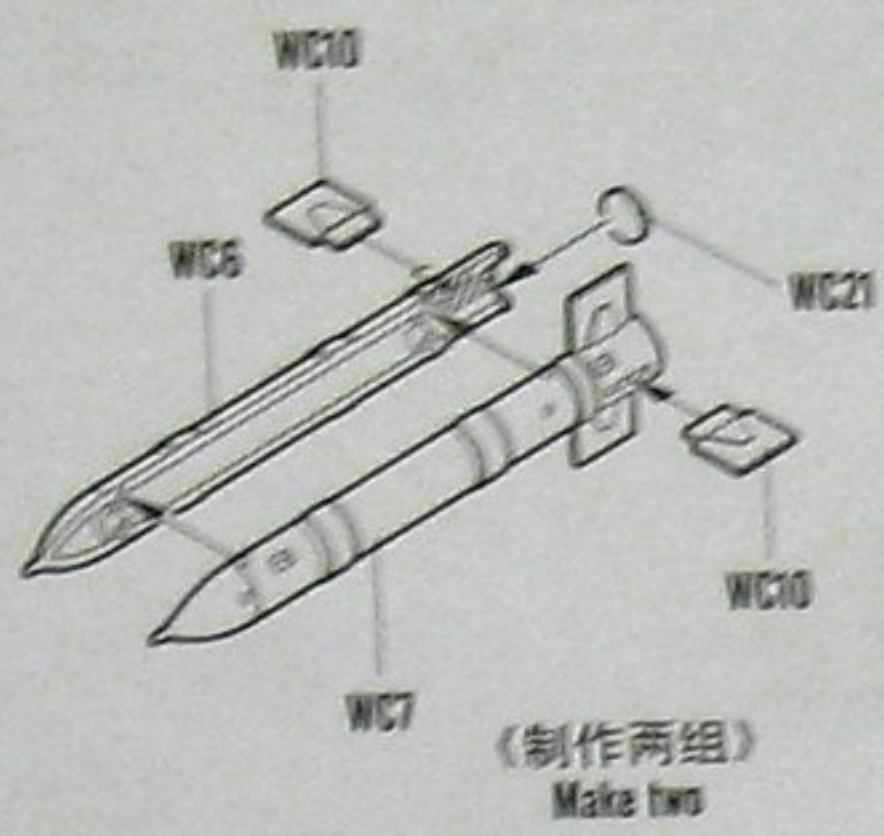


《R-60MK》  
《制作两组》  
Make two

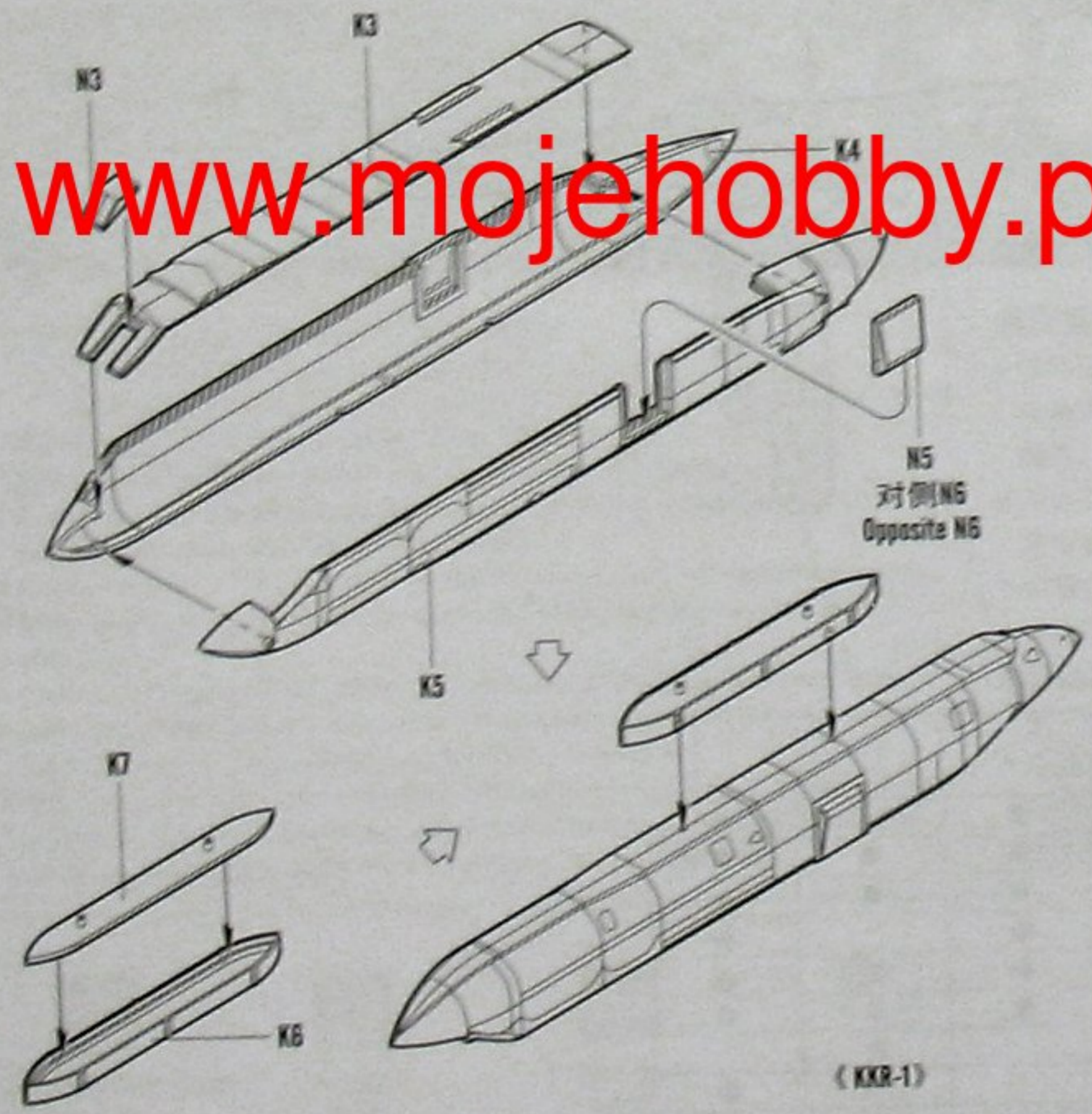


《B-8M》  
《制作两组》  
Make two

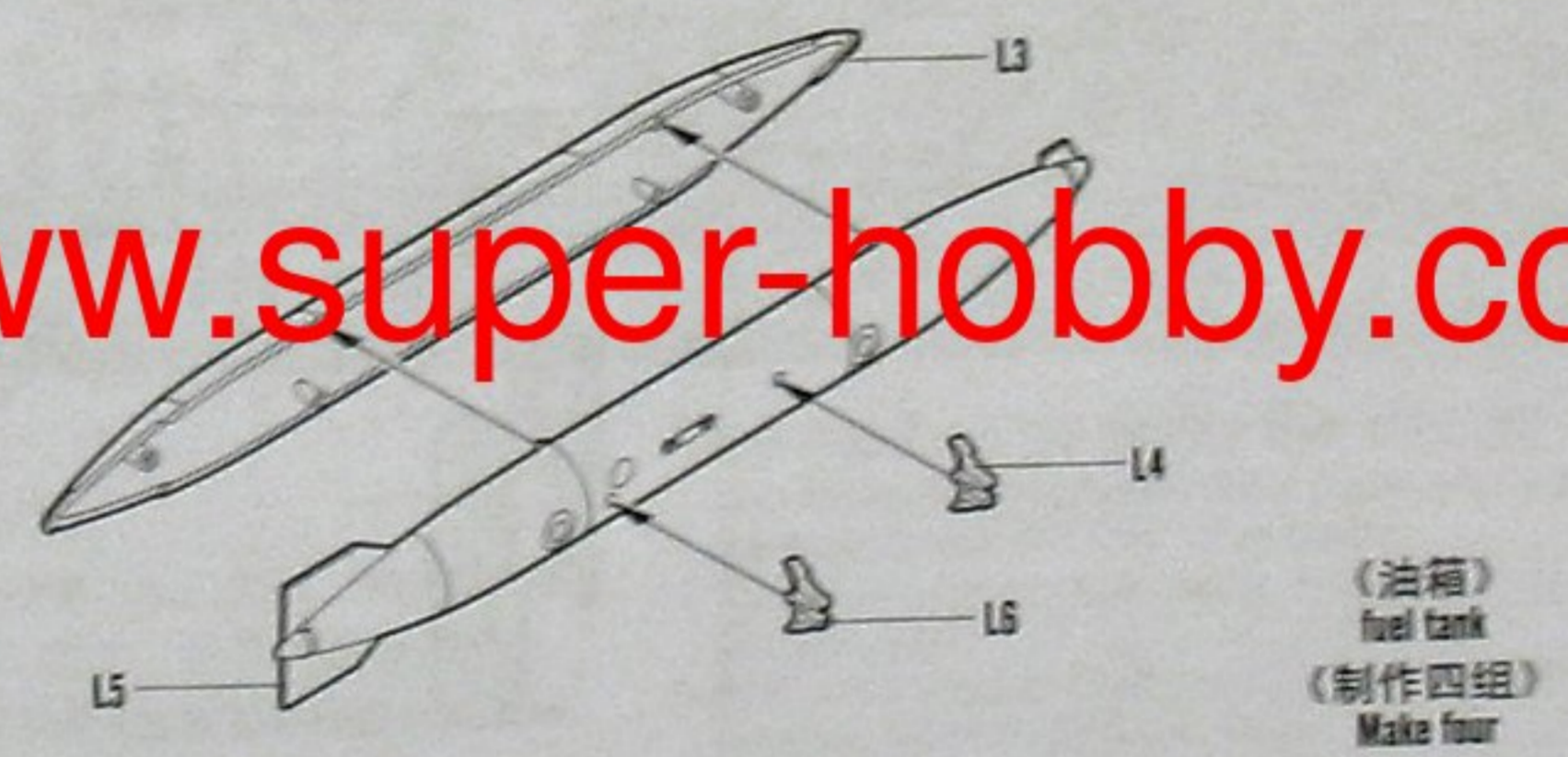
22  
STEP



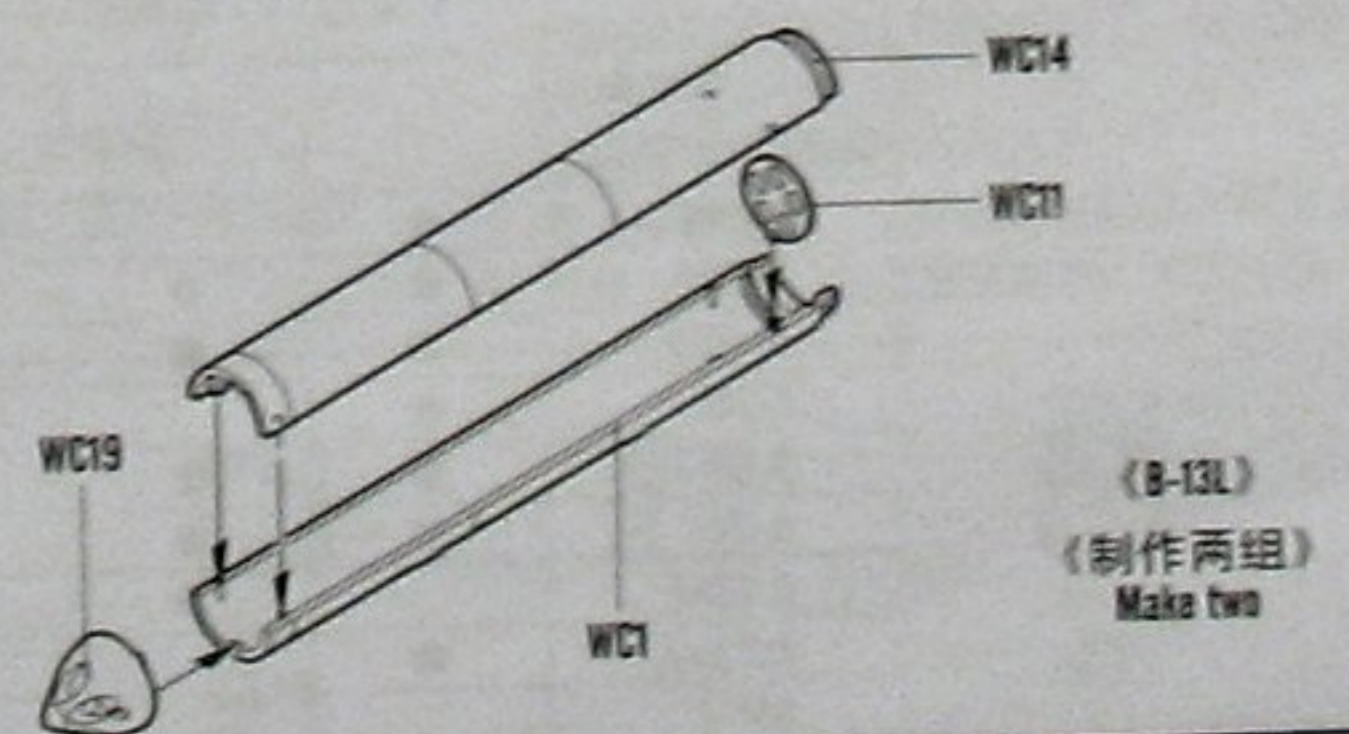
23  
STEP



24  
STEP

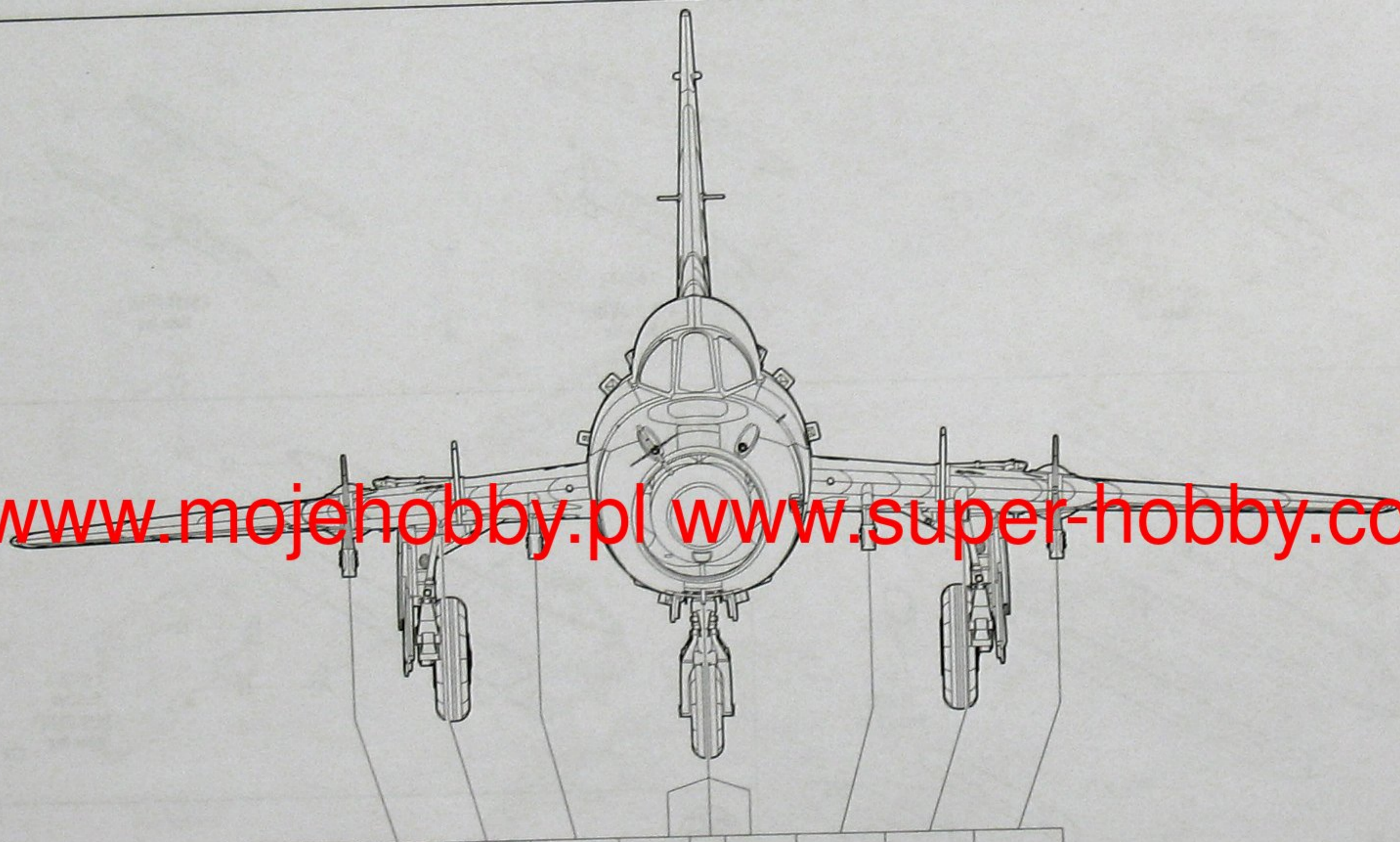


25  
STEP



www.mojehobby.pl www.super-hobby.com

www.mojehobby.pl www.super-hobby.com

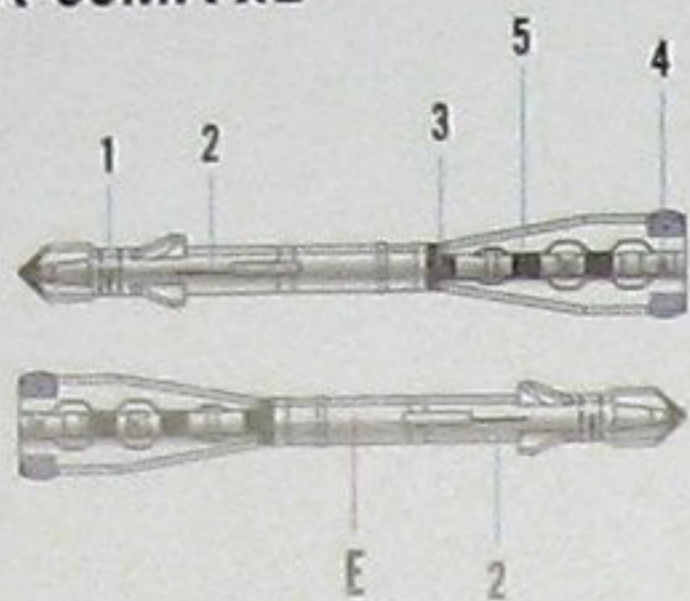


Sta. No.				Left	Right			
Missile/Tank								
A-B100	●		●			●		●
A-B250	●	●	●			●	●	●
FA-B500	●	●	●			●	●	●
C-24B	●		●			●		●
B-8M	●	●	●			●	●	●
B-13L	●	●	●			●	●	●
R-60MK		●					●	
fuel tank	●			●	●			●

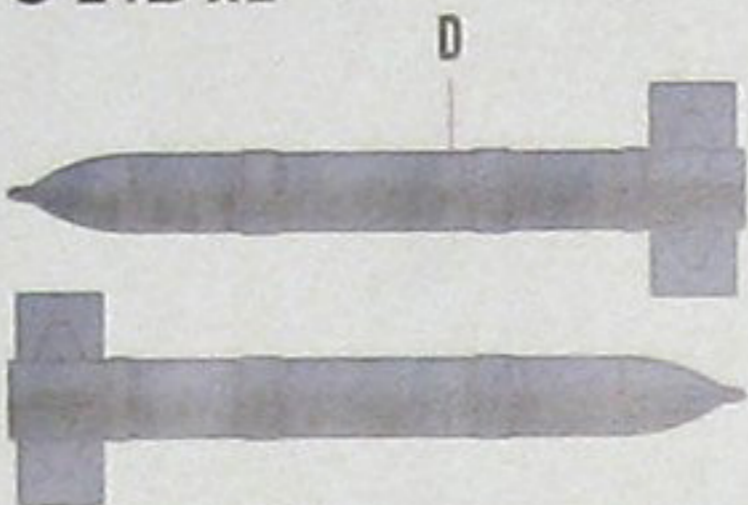


V

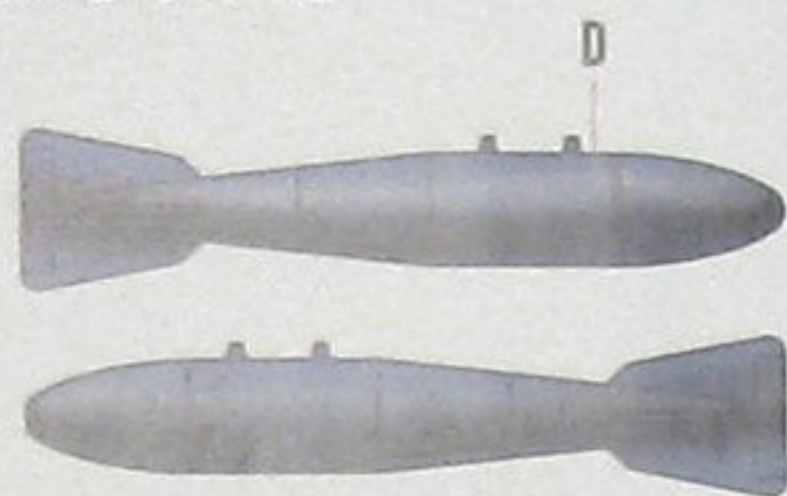
R-60MK x2



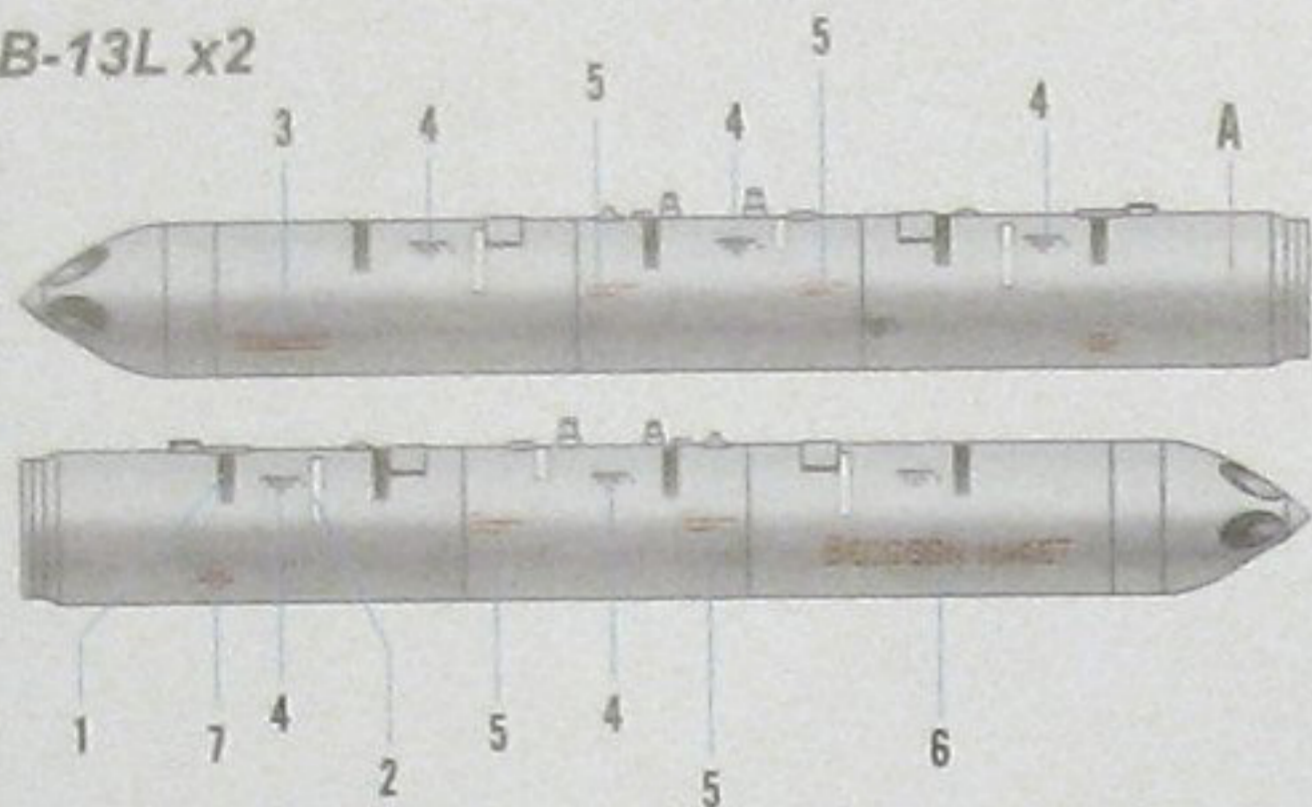
S-24B x2



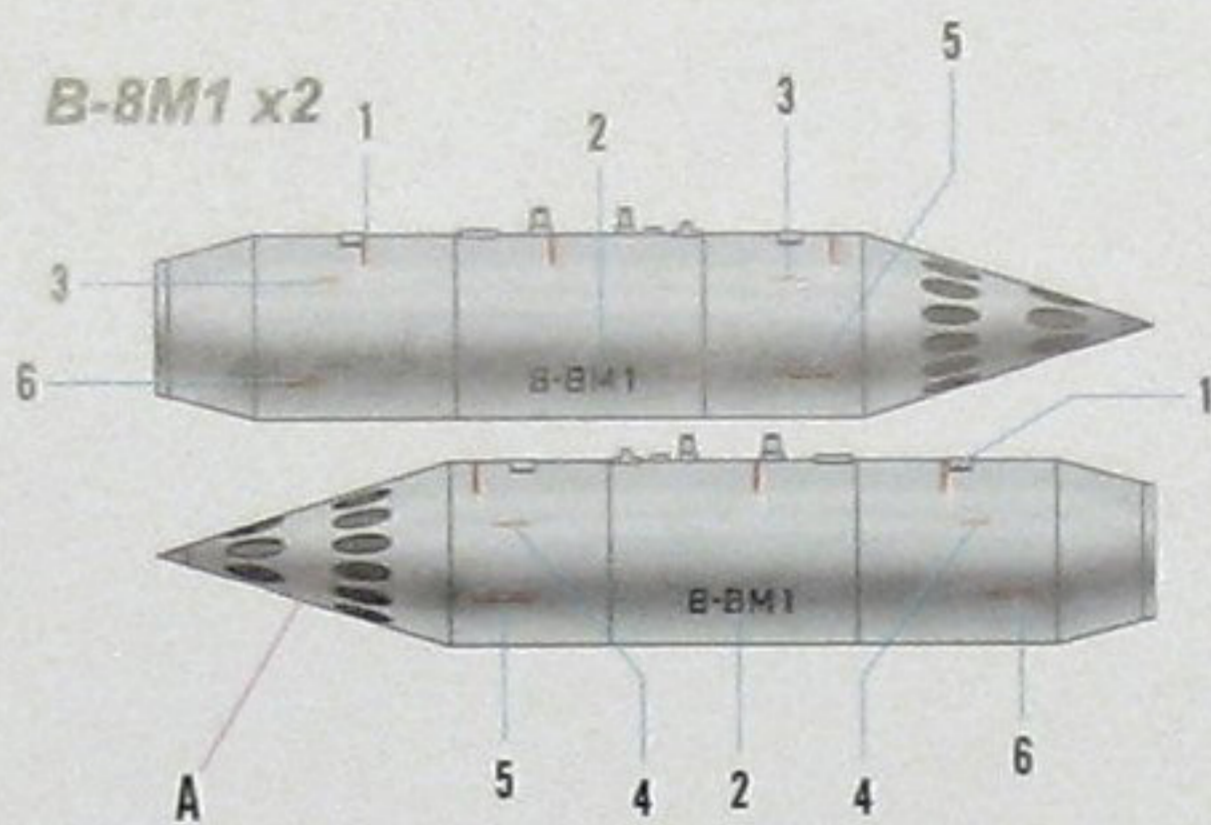
FAB-500 x2



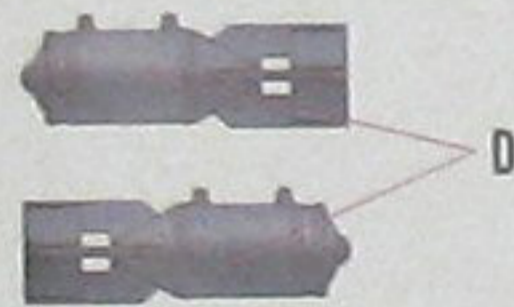
B-13L x2



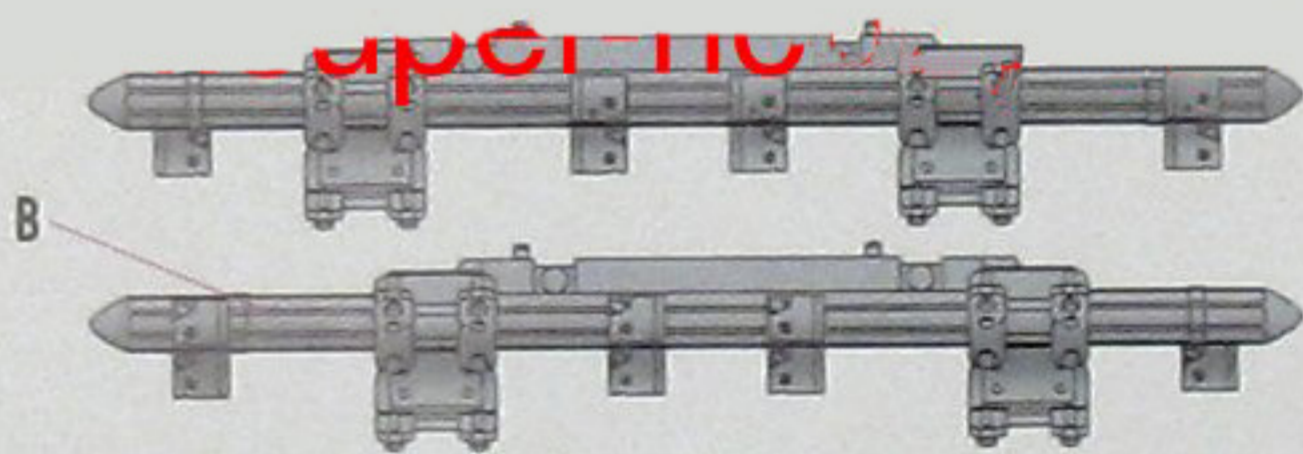
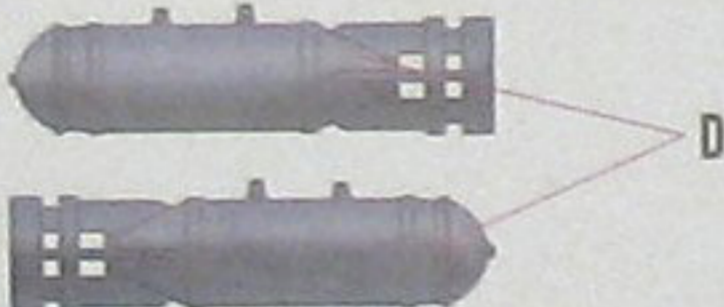
B-8M1 x2



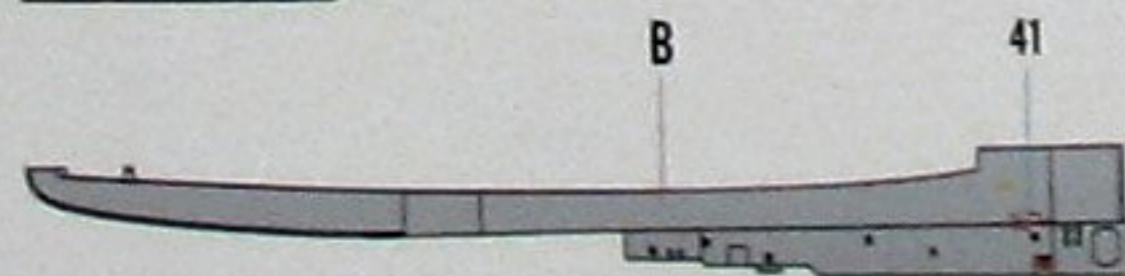
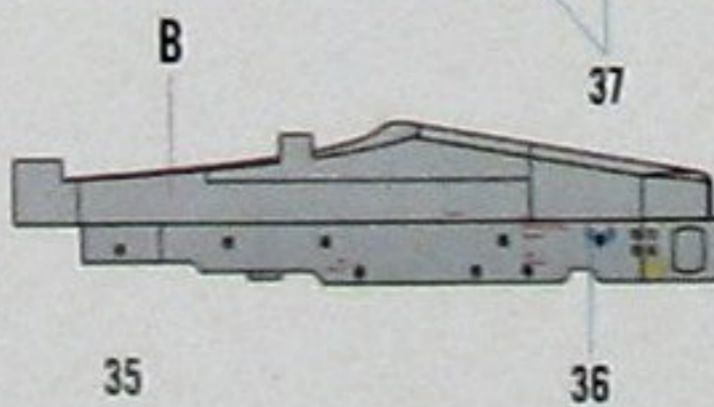
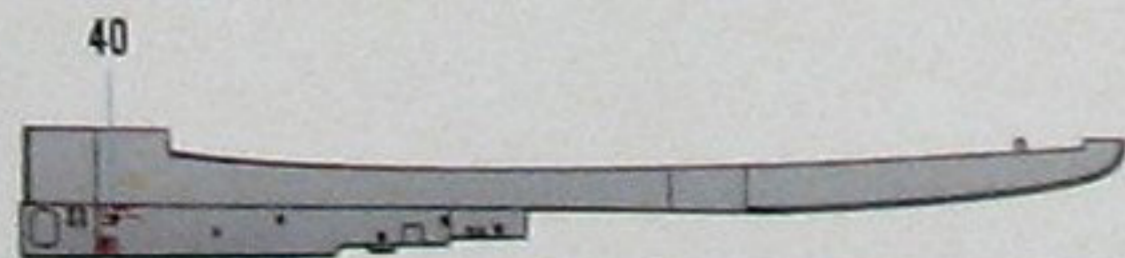
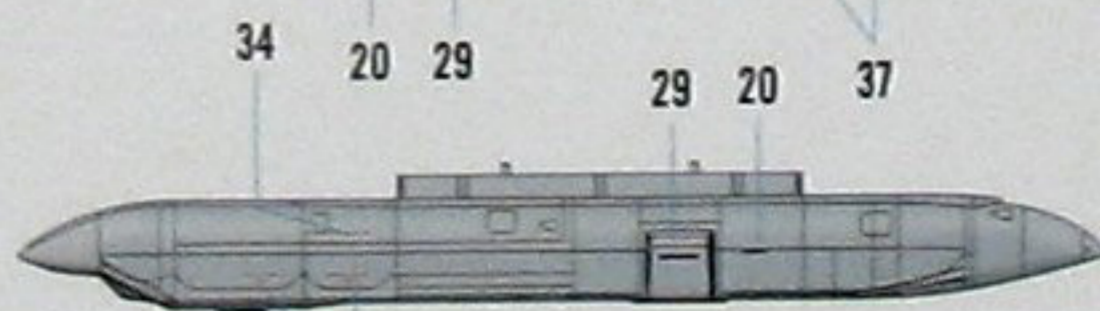
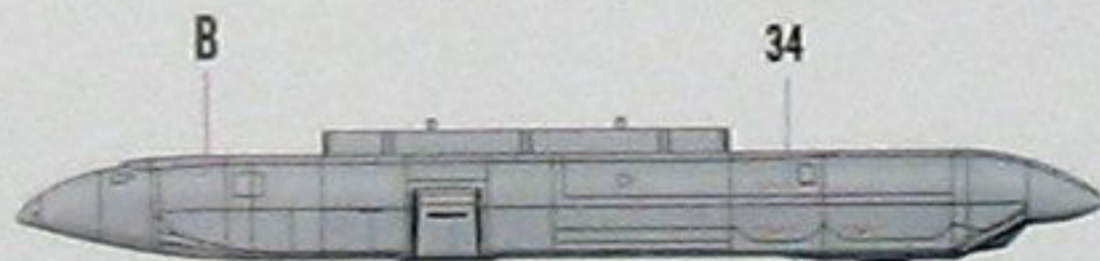
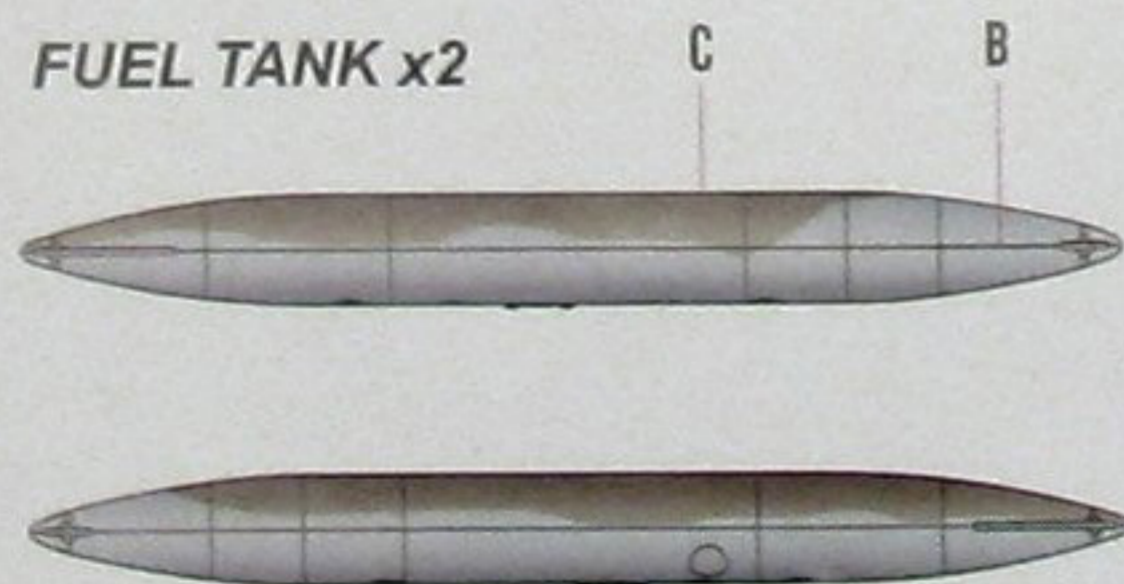
AB-100 x12



AB-250 x2



FUEL TANK x2



Color	Mr.Hobby	Vallejo	Model Master	Tamiya	Humbrol
A 银色 Silver	H 8 8	997	1546	X11	11
B 浅灰兰 Gray Blue	H 337 337	--	1721	XF20	145

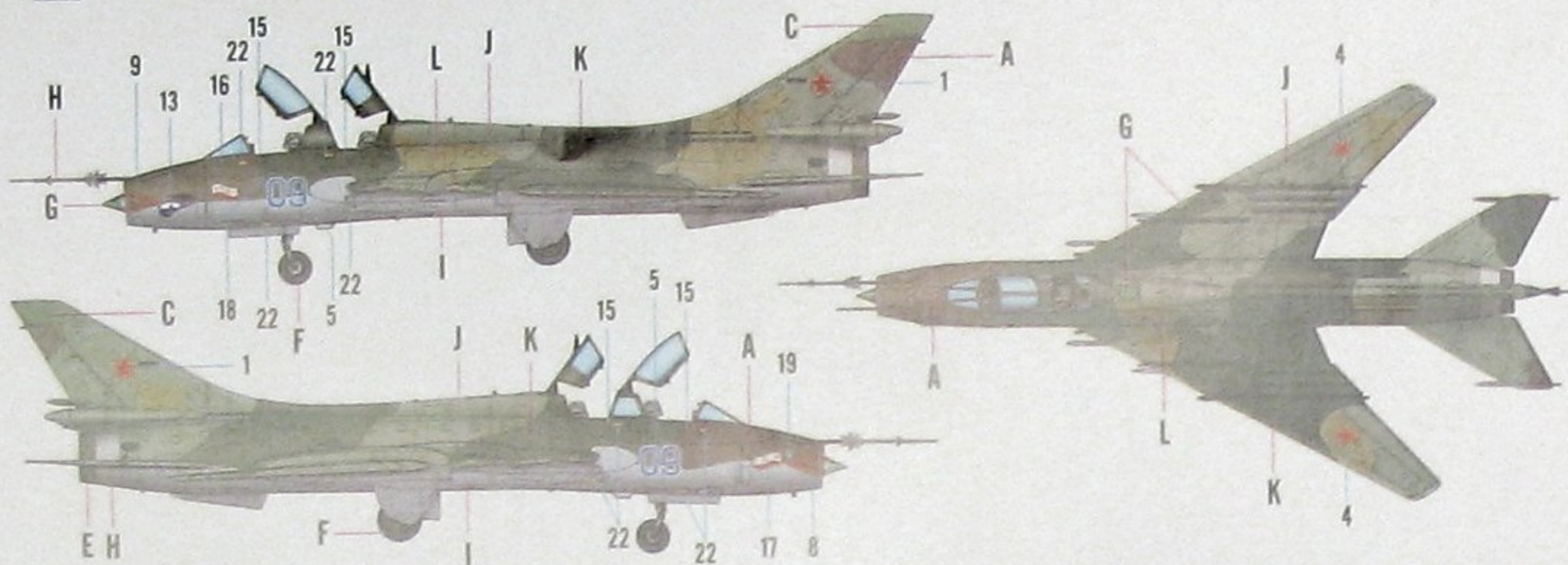
Color	Mr.Hobby	Vallejo	Model Master	Tamiya	Humbrol
C 深土色 Dark Earth	H 72 22	873	1702	XF52	29
D 灰色 Medium Gray	H 306 306	870	1725	XF20	--
E 白色 White Insignia	H 316 316	991	1745	X2	22



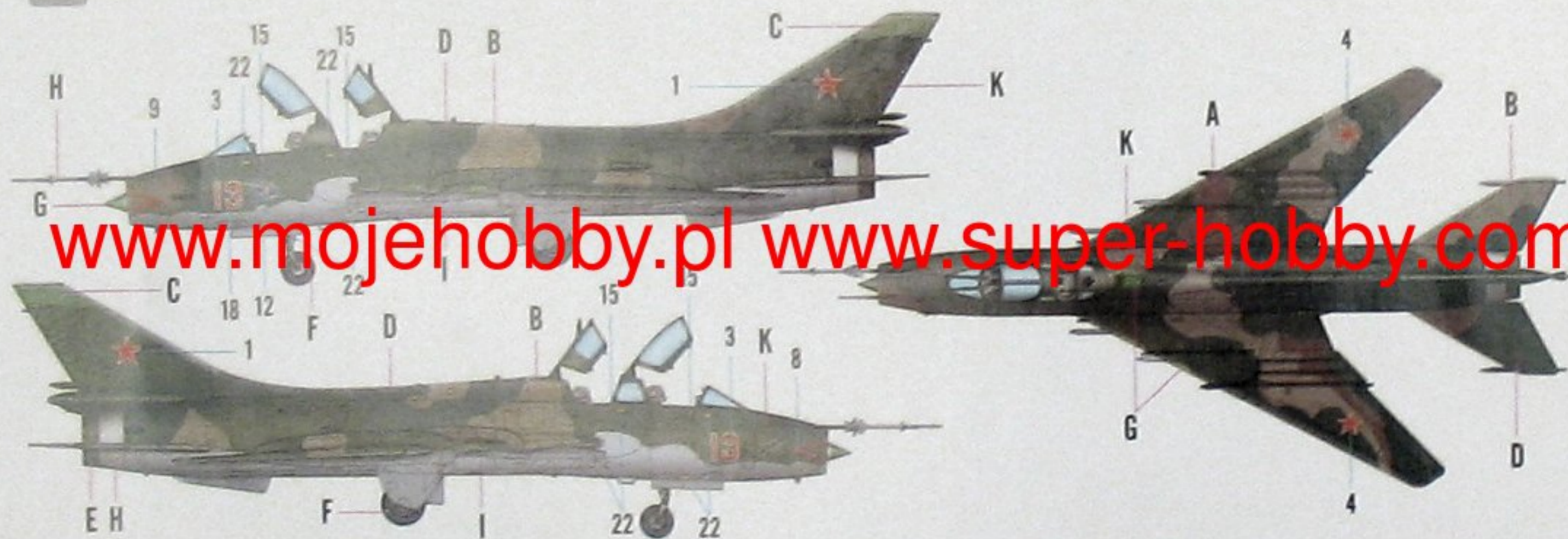
[www.mojehobby.pl](http://www.mojehobby.pl) [www.super-hobby.com](http://www.super-hobby.com)

Color	Mr.Hobby	Vallejo	Model Master	Tamiya	Humbrol	Color	Mr.Hobby	Vallejo	Model Master	Tamiya	Humbrol
<b>A</b> 红棕色 Red Brown	H[47] 41	984	—	XF54	160	<b>D</b> 橄榄色 Olive Drab	H[304] 304	887	1701	XF52	155
<b>B</b> 深土色 Dark Earth	H[72] 22	673	1702	XF52	29	<b>E</b> 棕色 Brown	H[78] 61	863	1795	X10	33
<b>C</b> 绿色 Dark Green	H[302] 302	835	1754	XF26	149	<b>F</b> 胎黑色 Tire Black	H[77] 137	—	—	—	—

II Su-17M3, Soviet Naval Air Forces, 1980-1990, Soviet Union

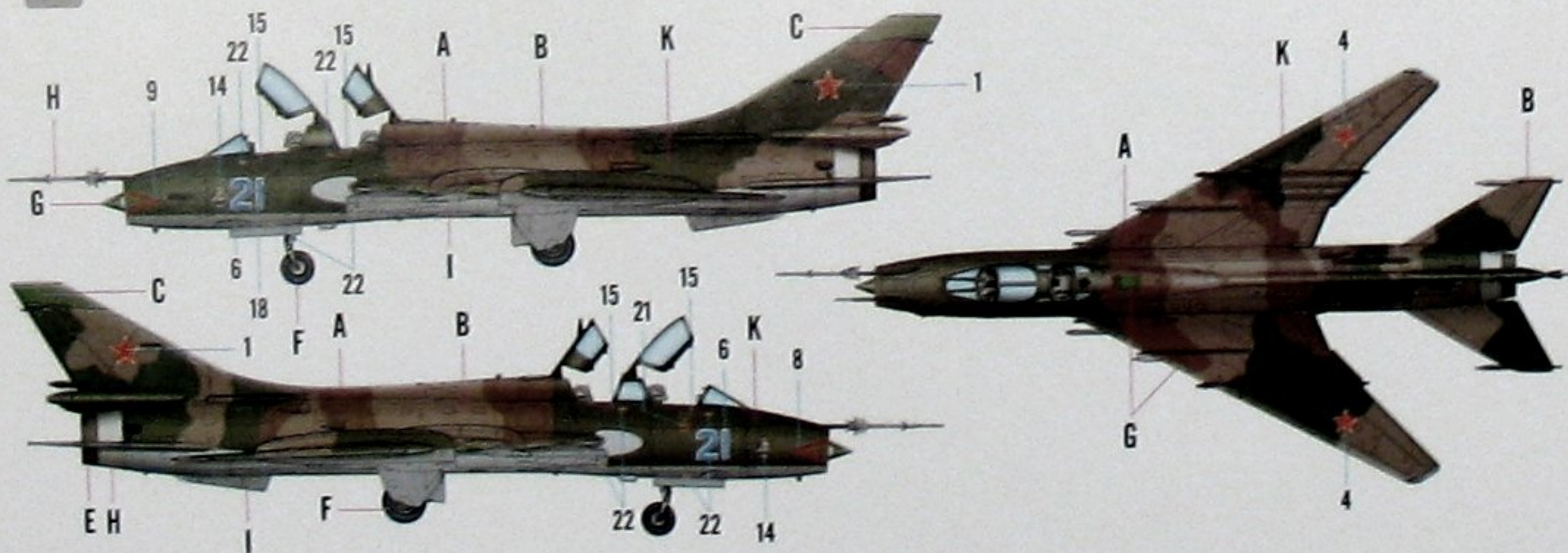


III Su-17M3, 1st AE, 168th APIB, 36th ADIB, Bolshye Shiraki air base, Soviet Union, 1982



[www.moje Hobby.pl](http://www.moje Hobby.pl) [www.super-hobby.com](http://www.super-hobby.com)

IV Su-17M3, 101st ORAP (Independent Reconnaissance Regiment), Soviet Union, late 80's



	Color	Mr.Hobby	Vallejo	Model Master	Tamiya	Humbrol		Color	Mr.Hobby	Vallejo	Model Master	Tamiya	Humbrol
G	浅绿色 Bright Green	H 26 66	970	—	X5	2	J	绿色 Green	H 312 312	—	1716	—	120
H	银色 Silver	H 8 8	997	1546	X11	11	K	浓松叶色 Dark Green	H 320 320	895	—	XF26	30
I	浅灰蓝 Gray Blue	H 337 337	—	1721	XF20	145	L	黄褐色 Tan	H 27 44	981	—	—	9

标贴与涂装

Su-17UM3 Fitter-G

MARKING & PAINTING

Su-17UM3 フィッター G Su-17UM3 "装配匠-G" 战斗轰炸机

HOBBY BOSS



Color	Mr.Hobby	Vallejo	Model Master	Tamiya	Humbrol	Color	Mr.Hobby	Vallejo	Model Master	Tamiya	Humbrol
A 红棕色 Red Brown	H[47] 43	964	--	X764	160	D 暗绿色 Dull Green	H[55] 304	887	170	X762	155
B 深土色 Dark Earth	H[72] 22	879	1702	X752	29	E 锈褐色 Rust Line	H[78] 44	863	1795	X10	53
C 绿色 Dark Green	H[55] 302	895	1764	X726	149	F 熟黑色 True Black	H[77] 132	--	--	--	--

NO.:81759

© Some paints may not be available in your country. Please check your local hobby shop for substitute

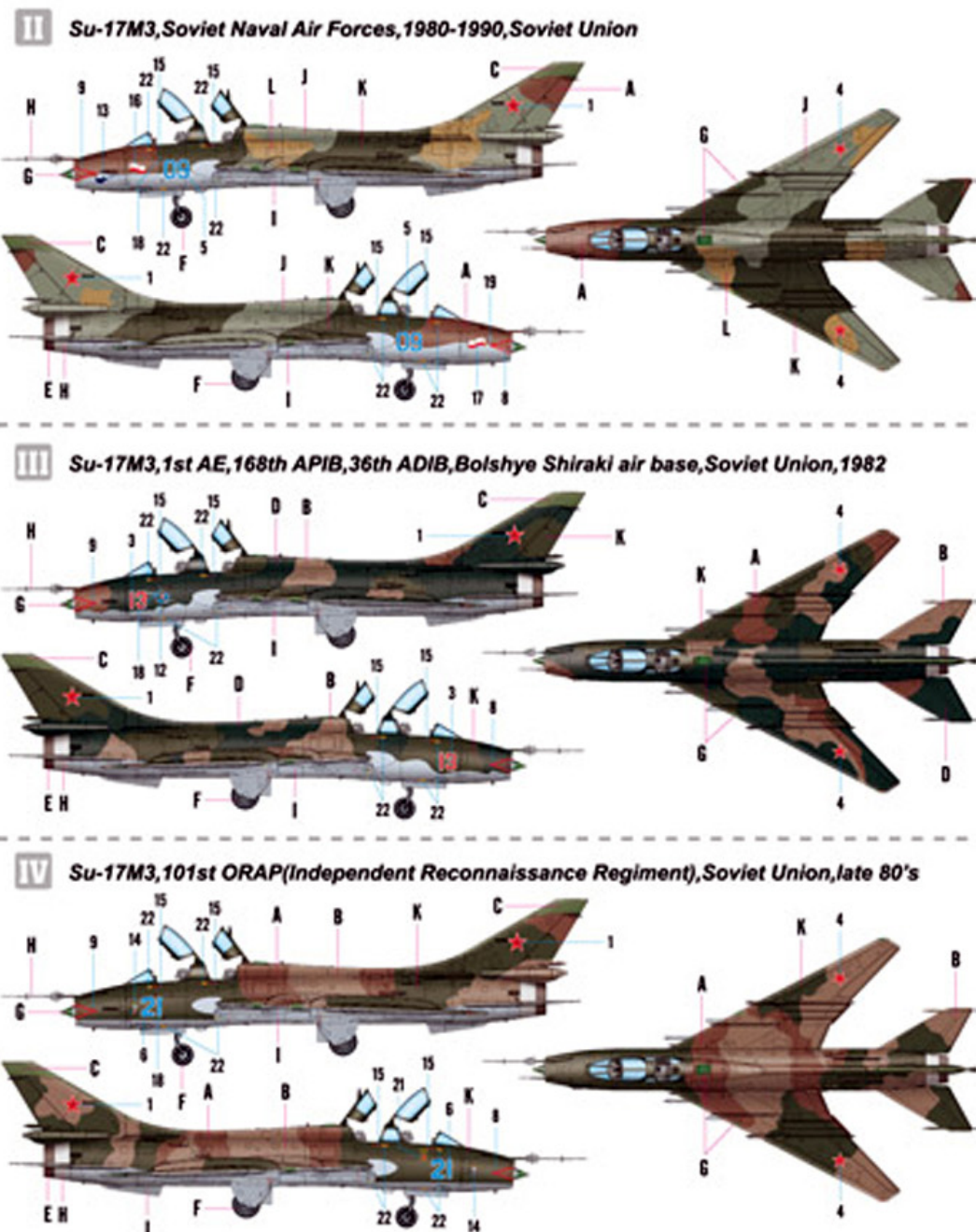
标贴与涂装

Su-17UM3 Fitter-G

MARKING & PAINTING

Su-17UM3 フィッター G Su-17UM3 "装配匠-G" 战斗轰炸机

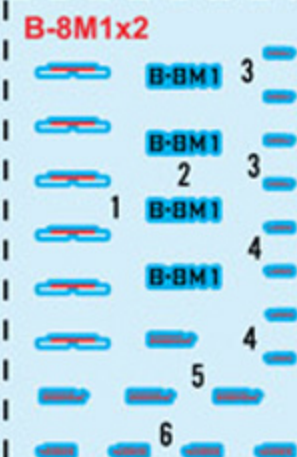
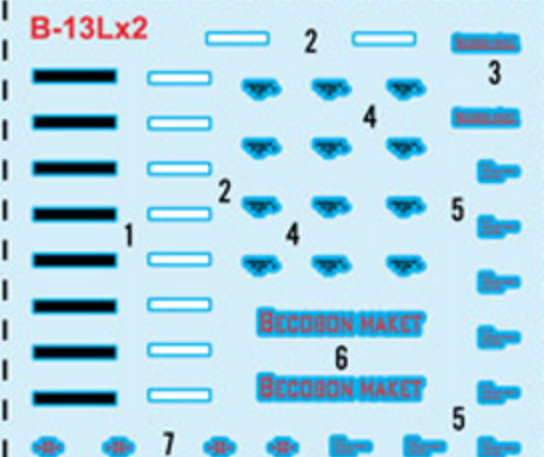
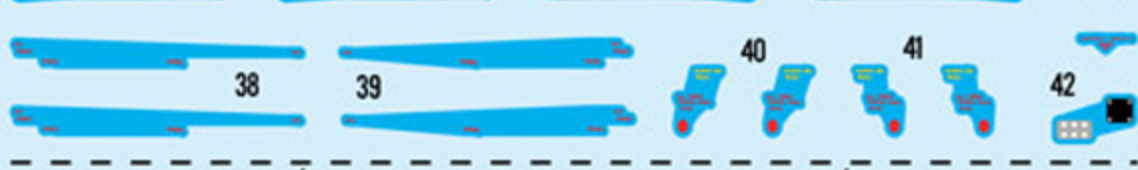
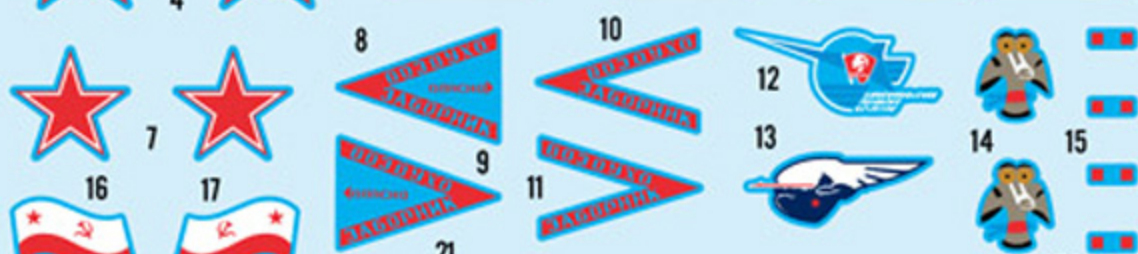
HOBBY BOSS



Color	Mr.Hobby	Vallejo	Model Master	Tamiya	Humbrol	Color	Mr.Hobby	Vallejo	Model Master	Tamiya	Humbrol
G 亮绿色 Bright Green	H[28] 20	970	--	X5	2	J 绿色 Green	H[55] 312	--	176	--	129
H 银色 Silver	H[5] 1	987	1546	X1	11	K 深绿色 Dark Green	H[58] 320	895	--	X726	30
I 浅灰蓝 Grey Blue	H[55] 327	--	1721	X720	145	L 黄褐色 Tan	H[27] 44	981	--	--	9

NO.:81759

© Some paints may not be available in your country. Please check your local hobby shop for substitute



1:48 Scale Su-17UM3 Fitter-G NO.:81759