

1/72nd
12455

ACADEMY
HOBBY MODEL KITS

※ You can download the latest version of an instruction manual for this model by visiting www.academyhobby.com, clicking the link for 'INSTRUCTION & DOWNLOAD' and entering the item number.
본 제품의 조립 중 궁금한 점은 www.academy.co.kr 접속 후 메뉴 '자료실' ---> '프라모델' 로 이동하여 해당 제품명을 입력하면 최신의 설명서를 확인 할 수 있습니다.

M-27 FLOGGER-D

The Russian MIG-27 swing-wing ground-assault aircraft is a direct descendant of the MIG-23, and their similarities are therefore not surprising. Essentially, the MIG-27 is a ground-attack version of the MIG-23 fighter, and as such requires a less sophisticated powerplant and ducting system. Instead of the variable air inlets used on the fighter version, MIG-27 has fixed openings, and the afterburner nozzle is much less complex. On the other hand, the afterburning power of the engine has been increased for the low-level operations of the MIG-27.

The MIG-27, identified as Flogger D in the NATO records, has seven hard points for carrying ordnance or long-range tanks. Among the weaponry that can be fitted are nuclear as well as conventional bombs, rocket pods with miniguns and guided missiles. The moveable portions of the wings include non-swiveling pylons which are fitted with fuel lines for long-range tanks. When mounted, these tanks prohibit the aft movement of the wings.

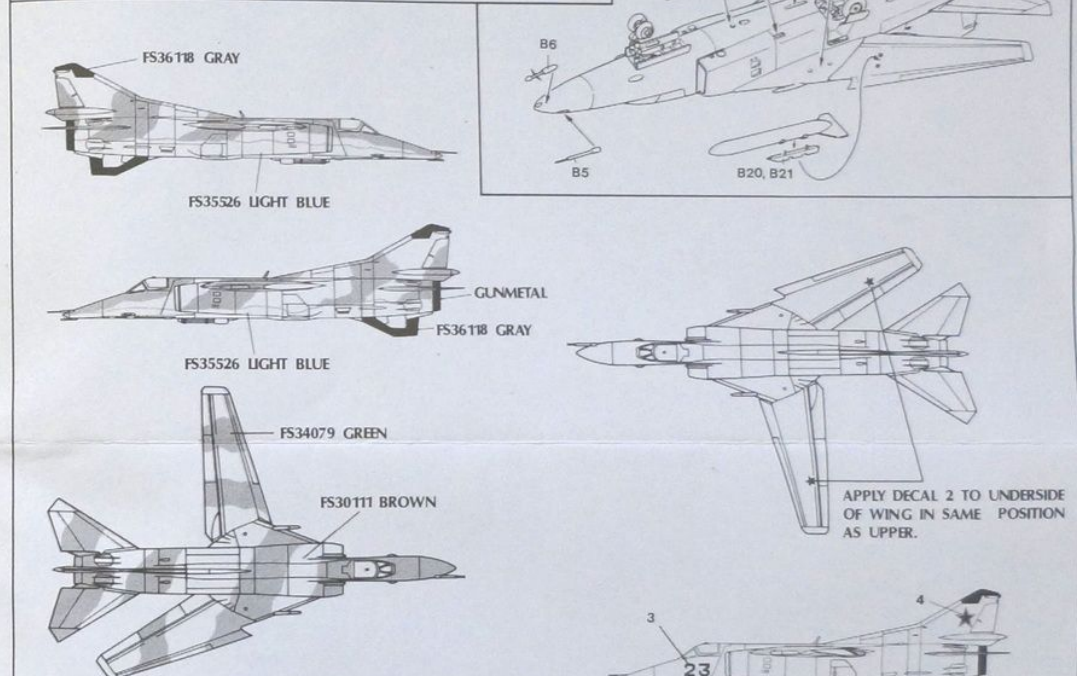
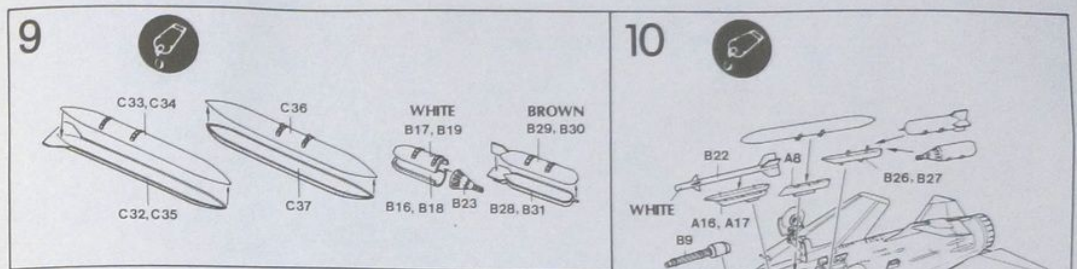
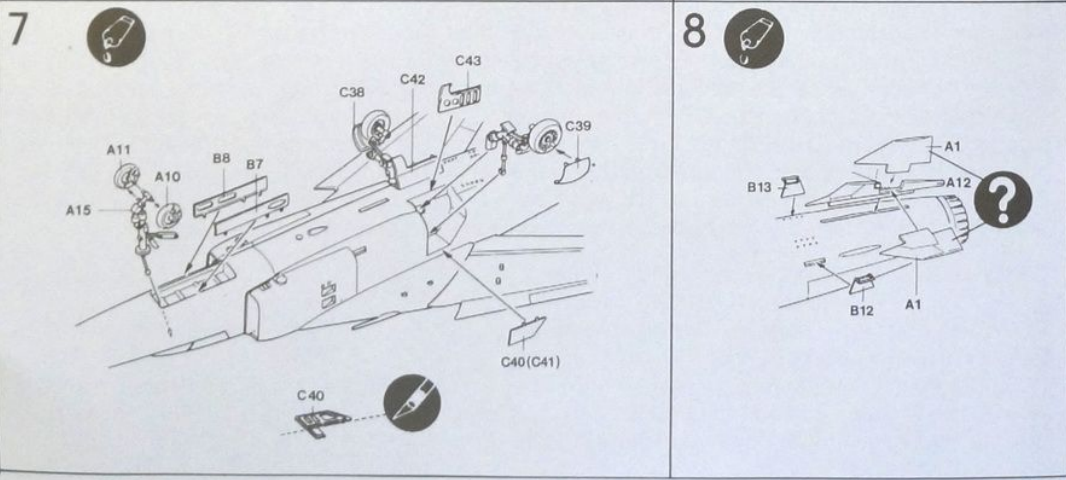
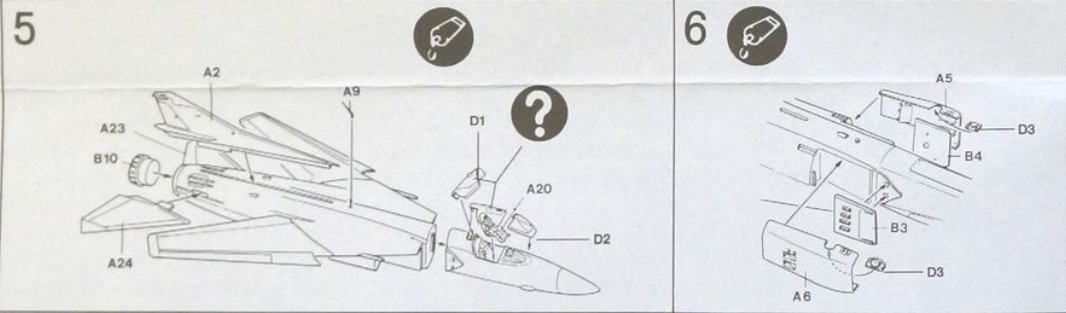
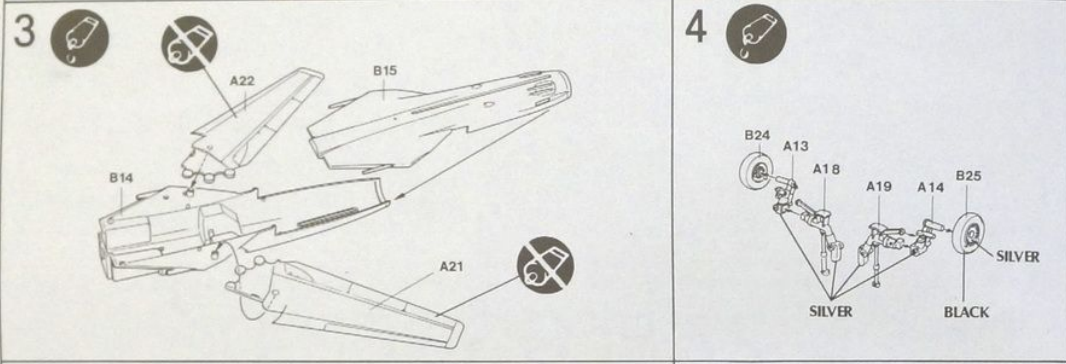
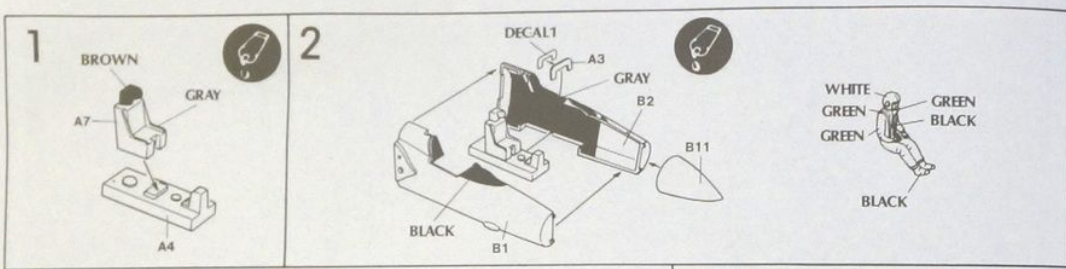
To improve the pilot's downward vision during low-level attacks, the Flogger D has a sharply-sloped nose, which contains terrain-following radar and a radio altimeter among other electronic gear. A six-barrel 23 mm rotary canon is mounted into the fuselage bottom as standard armament. Because of its role in ground attack, the performance of the MIG-27 differs considerably from its fighter counterpart. At low level it is slightly faster than the MIG-23, but it is notably slower at the higher combat altitudes. For this reason the Flogger series of Russian planes can be expected to be operational in increasing numbers for many years.

DIMENSIONS: Extended wingspan-28 ft. 7 in.
Overall length-53ft.

POWERPLANT: One Tumansky turbofan with approximately 13,500 lbs thrust, increased to 24,250 lbs with afterburning.

PERFORMANCE: Maximum speed at sea level-Mach 1.2, at 50,000 ft.-Mach 1.6(1,055 mph)

ARMAMENT: One fuselage-mounted 23 mm six-barrel rotary cannon, AS-7 "Kerry" missiles, nuclear and conventional bombs, minigun/rocket pods.



Refer to box top for additional paint and decal information.

ENGLISH	FRENCH	GERMAN	SPANISH	ITALIAN
WHITE	BLANC	WEISS	BLANC	BIANCO
YELLOW	JAUNE	GELB	AMARILLO	GIALLO
RED	ROUGE	ROT	ROJO	ROSSO
BLUE	BLEU	BLAU	AZUL	BLU
GRAY	GRIS	GRAU	GRIS	GRIGIO
GUNMETAL	METALLIC	METALLIC	METALICO	METALLICO
GREEN	VERT	GRUN	VERDE	VERDE
SILVER	ARGENT	SILBERN	PLATA	ARGENTO
BLACK	NOIR	SCHWARTZ	NEGRO	NERO

3 **9**

3 Do not attempt to use this part. (Do not attempt to use this part.)

9 Do not attempt to use this part. (Do not attempt to use this part.)

? Optional parts. (Optional parts.)

△ Do not attempt to use this part. (Do not attempt to use this part.)

★ Do not attempt to use this part. (Do not attempt to use this part.)

! Do not attempt to use this part. (Do not attempt to use this part.)

| Do not attempt to use this part. (Do not attempt to use this part.)

PLANES & SPACE



1631

1/48 F-5A



1632

1/48 F-5B



1623

1/72 SPAD XIII WW I FIGHTER



1624

1/72 SOPWITH CAMEL WW I FIGHTER



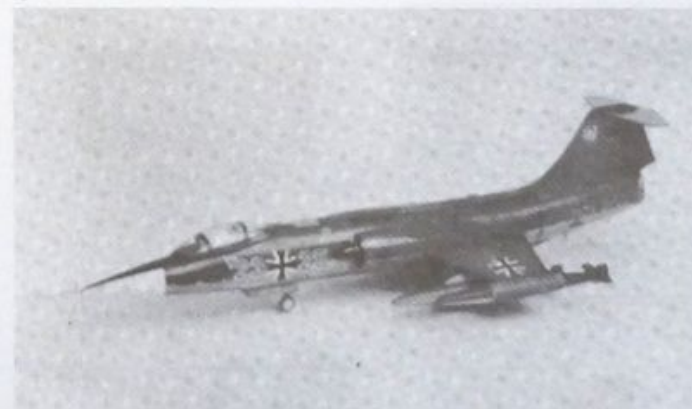
1633

1/72 F-5A FIGHTER



1620

1/72 YF-16



1619

1/72 F-104G



1618

1/72 M-21 FISHBED

ACADEMY
HOBBY MODEL KITS

ACADEMY
ACADEMY PLASTIC MODEL CO., LTD.