

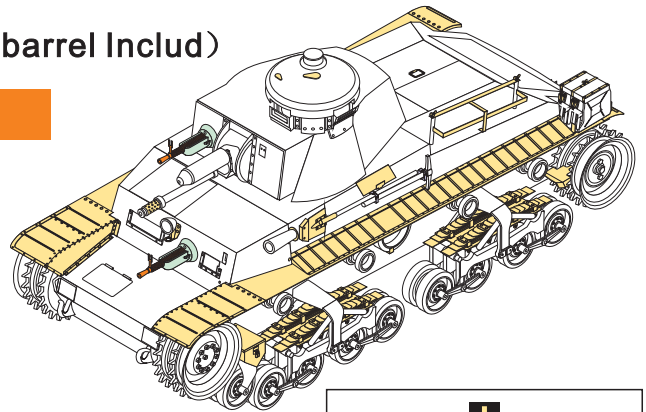
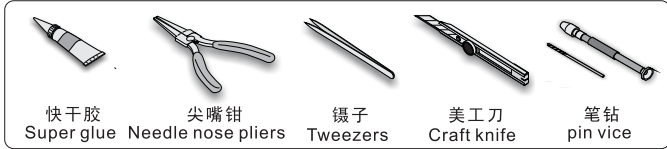
1/35 MILITARY MINIATURE VEHICLE UPGRADE SERIES PE35591











WWII German Pz.Kpfw.35(t) (Machine Gun barrel Includ)


二战德国35T坦克改造件(带金属机枪)

[For ACADEMY 13280]

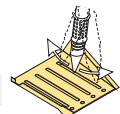
■ 推荐使用工具 RECOMMENDED TOOLS



- 
 安装
install
- 
 折叠
bend
- A1**
 改造件零件编号
PE/resin part number
- B12**
 原零件编号
kit part number
- C22**
 被替换的原零件编号
replaced kit part number
- 
 另一侧相同制作
repeat on opposite side
- 
 切除
remove
- 
 打磨
grind off
- 
 弧度卷曲
radial bending
- 
 制作若干组
multiple assembly
- 
 选择安装
alternative
- 
 钻孔
drill
- 
 用胶棒制作
make from plastic rod


 用尖端在凹槽处冲压
use penpoint to press on the dent

蚀刻片零件内侧面向上
Put the part upside down
 用笔尖在凹槽处刺
Use penpoint to press on the dent



树脂件 Resin part 金属件 Metal part

B18 B9

a

A26 B35 B34 A24

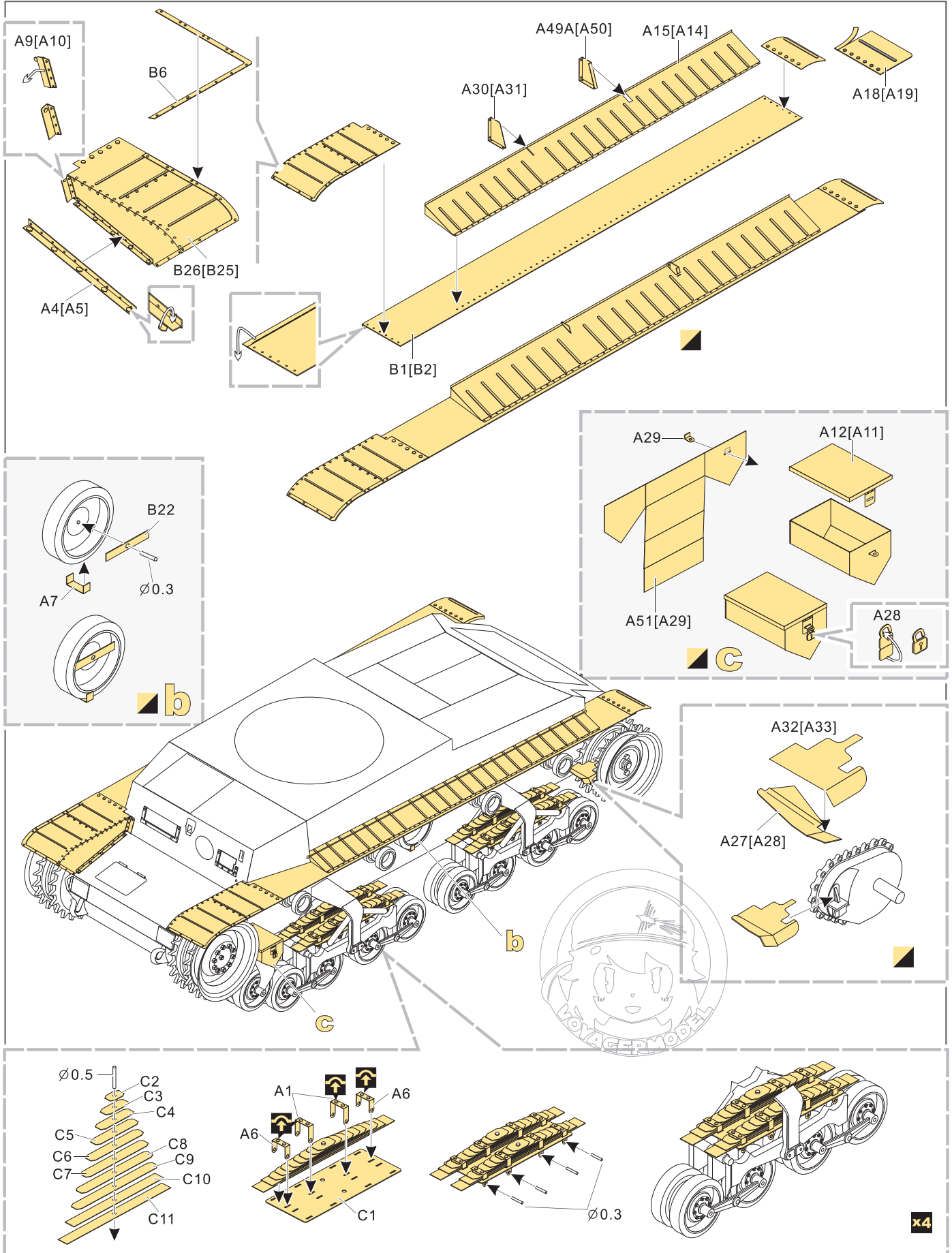
A25

B29 B30

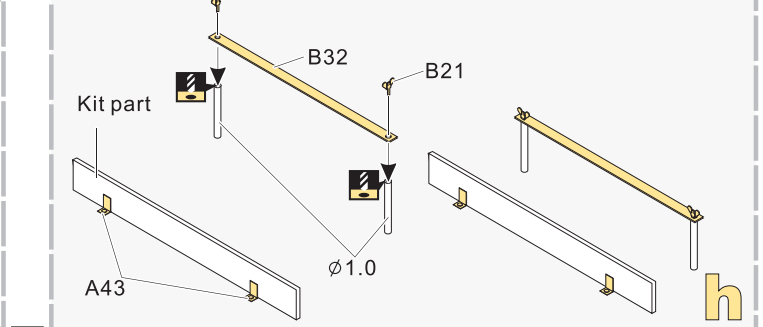
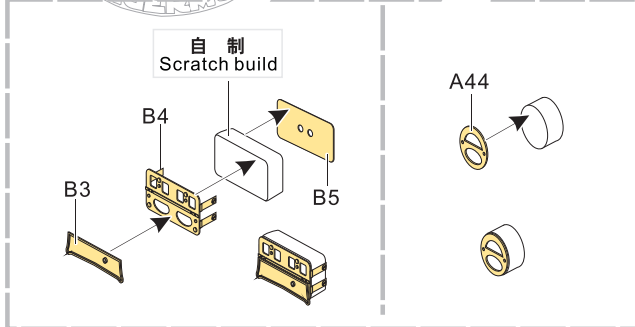
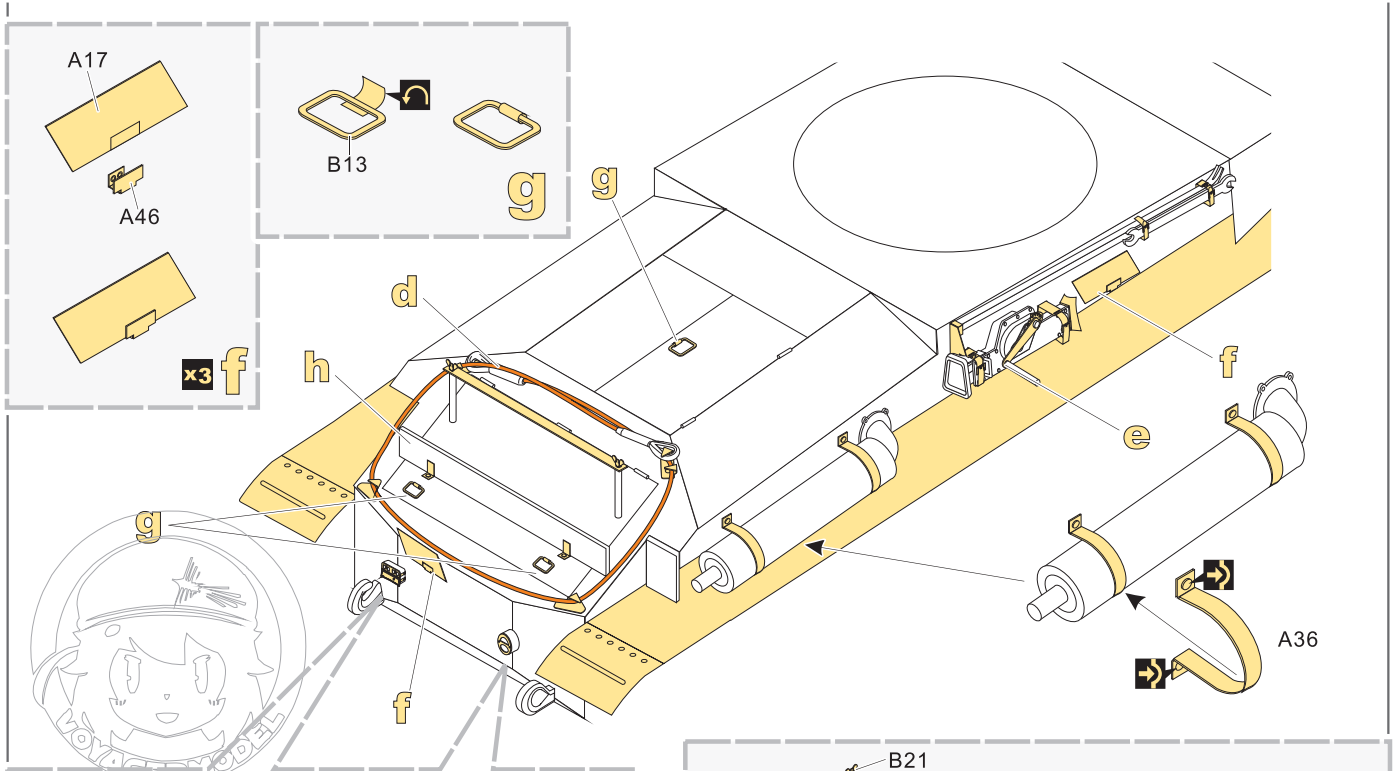
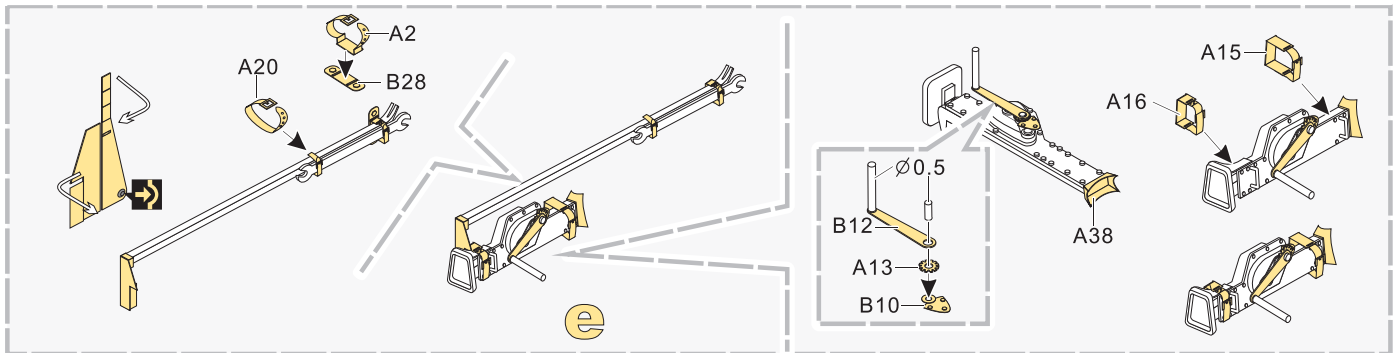
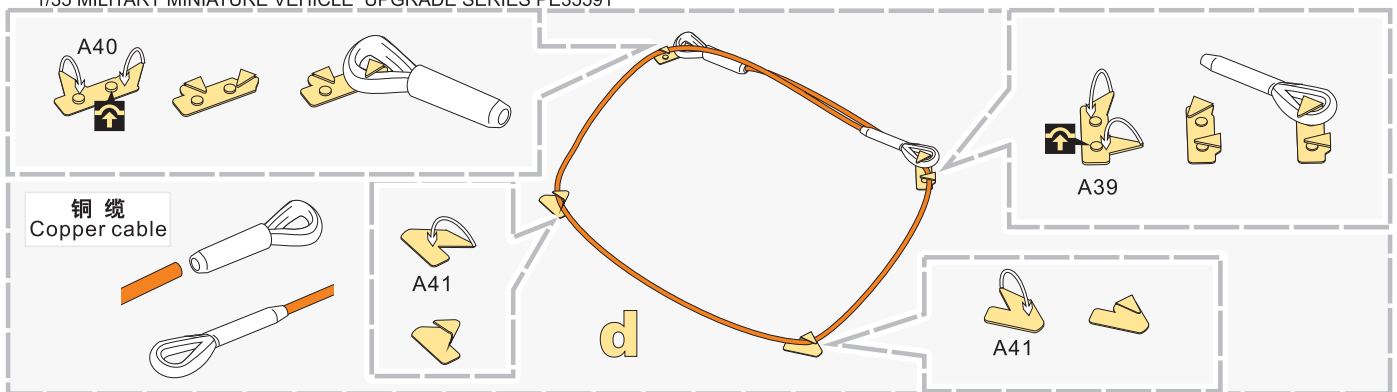
A3

remove

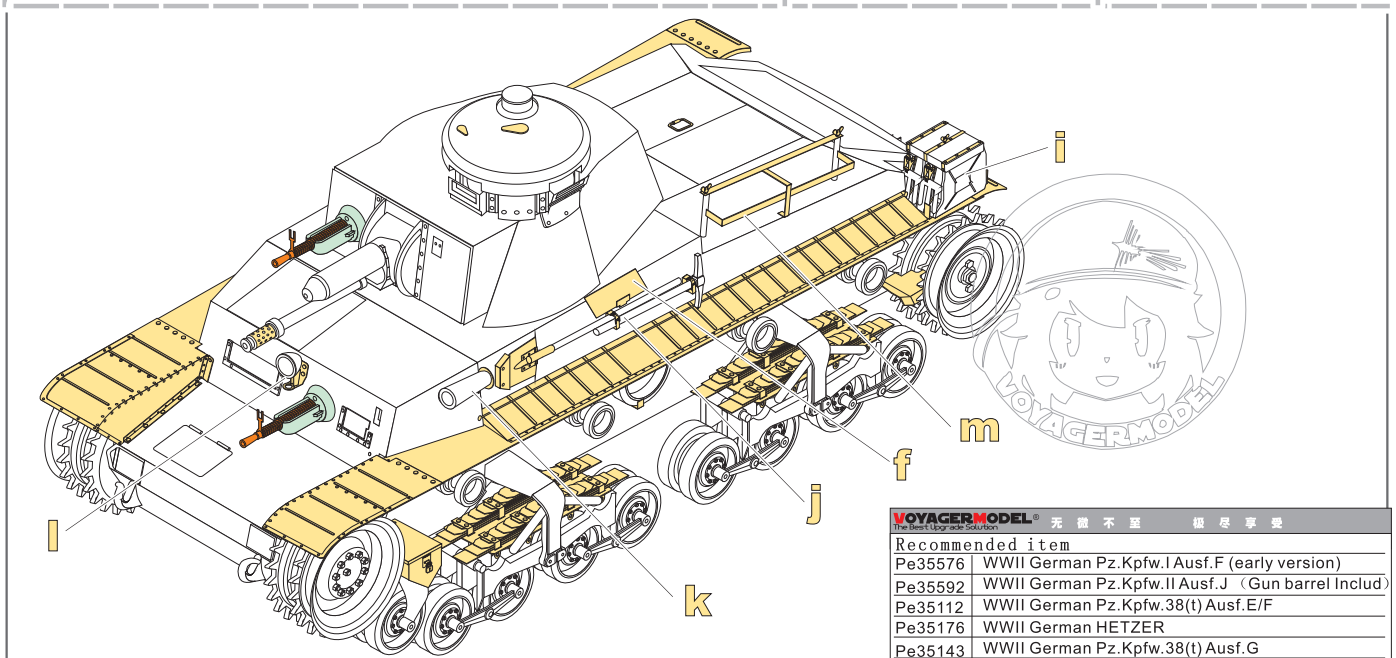
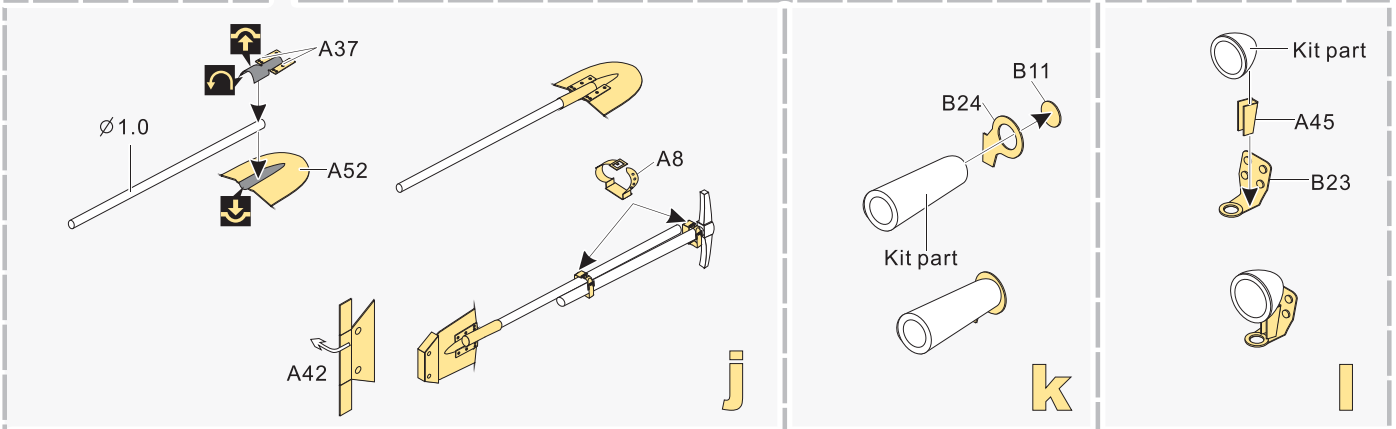
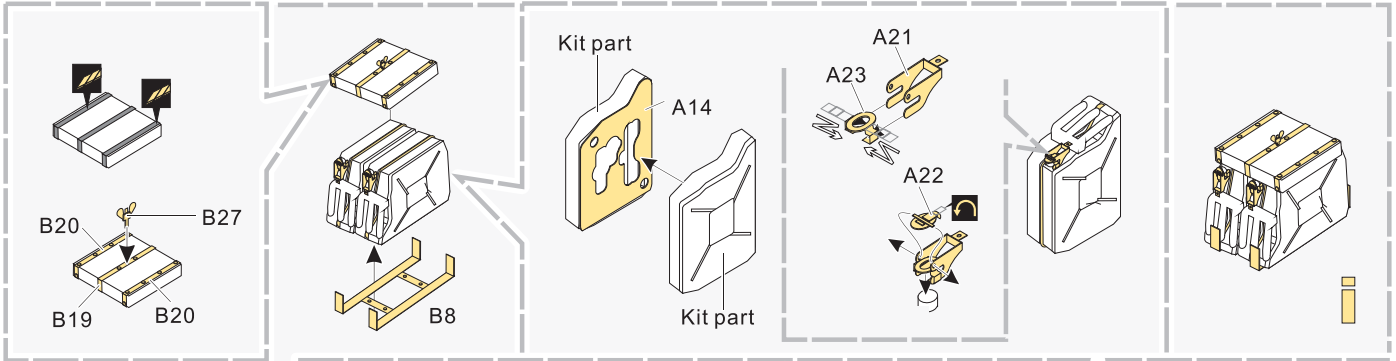
1/35 MILITARY MINIATURE VEHICLE UPGRADE SERIES PE35591



1/35 MILITARY MINIATURE VEHICLE UPGRADE SERIES PE35591



1/35 MILITARY MINIATURE VEHICLE UPGRADE SERIES PE35591



VOYAGERMODEL® 无微不至 极致享受
The Best Upgrade Solution

| Recommended item | |
|------------------|---|
| Pe35576 | WWII German Pz.Kpfw.I Ausf.F (early version) |
| Pe35592 | WWII German Pz.Kpfw.II Ausf.J (Gun barrel Includ) |
| Pe35112 | WWII German Pz.Kpfw.38(t) Ausf.E/F |
| Pe35176 | WWII German HETZER |
| Pe35143 | WWII German Pz.Kpfw.38(t) Ausf.G |
| Pe35146 | WWII German Pz.Kpfw.38(t) Fenders |
| Me-A092 | WWII German Pz.Kpfw.38(t) ZB-37 Machine gun |

[Http://www.voyagermodel.com/productdetails.asp?itemid=PE35591](http://www.voyagermodel.com/productdetails.asp?itemid=PE35591)



**VOYAGER
MODEL**



更多PE35591样品照片参考请扫一扫
MORE PICTUER OF PE 35591
REFERENCE SCAN HERE

