

MiG-23MLD Flogger-K

米格-23MLD“鞭挞者-K”战斗机



READ BEFORE ASSEMBLY:

- Study and understand these instructions thoroughly before beginning assembly
- When needed, remove photo-etch parts carefully using a modeling knife or photo etch sprue cutter, being careful not to damage or lose small parts.
- Take extra care in handling photo etch parts in order to avoid injury
- Apply instant cement sparingly to photo etch parts where instructed

- Tools recommended(not included in kit):Plastic and instant cements,sprue cutters,long nose pliers,modeling knife, small files, tweezers, pin vise & scissors. Soft cloth and sandpaper will also assist in construction
- Glue and paint are not included in the kit. Use plastic cement and hobby paints only. Color guide for purchasing paint is included in the kit.

装配之前仔细阅读

- 小心用模型锉刀锉平所有零件表面的注射浇口。
- 小心用刀片切下蚀刻片零件。不要遗失小零件。
- 用强力快干胶水粘合蚀刻片零件和金属轴。过量的快干胶水使用可能导致可动零件会粘住，小心涂胶。
- 取蚀刻片时应特别注意安全，防止利边划伤手指。
- 某些零件表面需贴水上贴纸，请选择在装配的同时进行。
- 推荐模型工具(自备)：胶水，水口剪刀，长咀钳，刀片，锥刀，镊子钳，钻，剪刀，瞬间快干胶。
- 软布同砂纸同时也应该是必备工具。
- 请使用塑料胶水和油漆，模型内不含。

水贴纸的使用:

1. 从水贴纸上剪下印花;
2. 将印花放入温水中浸10秒, 然后放在干净布上.
3. 拿着印花纸板将印花移到模型上;
4. 手指蘸水将印花移到适当的位置;
5. 用软布轻压印花直至水干, 汽泡消失.

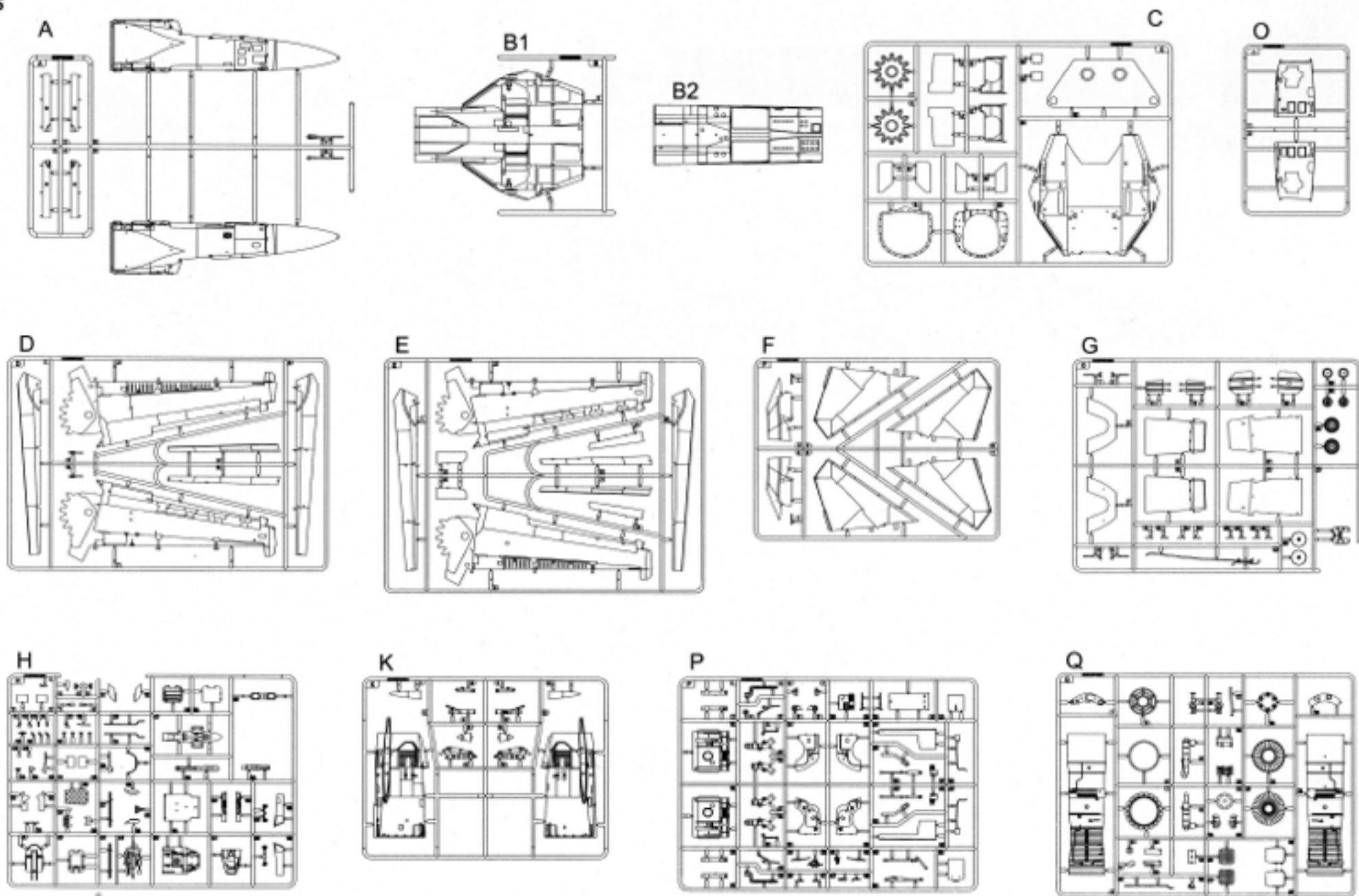
DECAL APPLICATION:

1. Cut decals from sheet as needed
2. Dip the decal in warm water for about 10 seconds and then place on soft clean cloth.
3. Hold the decal backing sheet edge and gently slide the decal onto the model in its proper position.

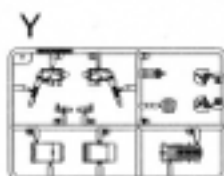
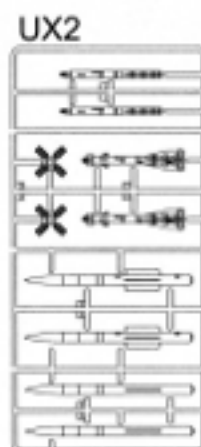
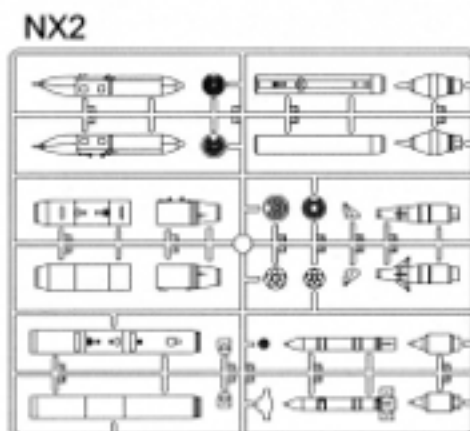
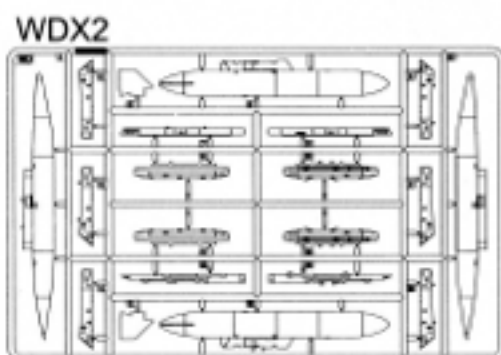
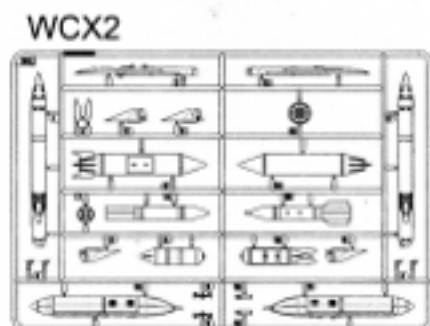
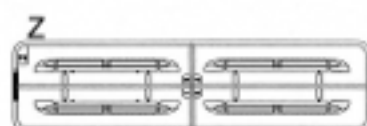
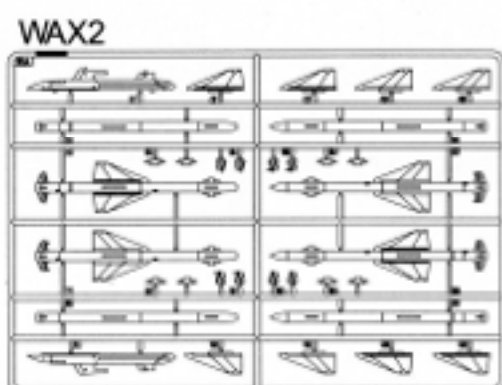
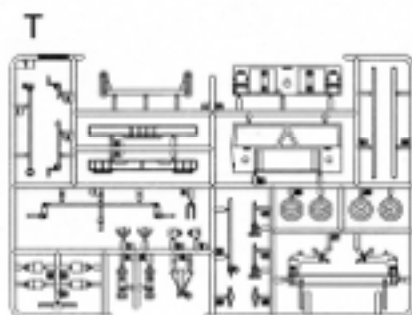
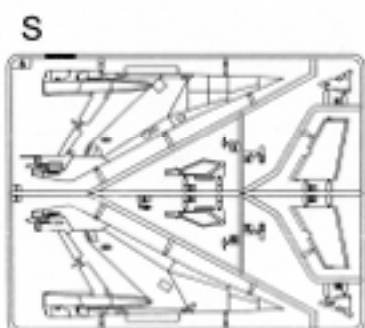
4. While still wet, decal can be adjusted for better fit on model by dampening it gently with your finger.
5. When placed in the proper position, gently press decal down with a soft cloth until excess water and air bubbles are gone.
6. Allow decal to dry completely before handling model



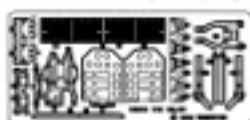
部品图
Parts



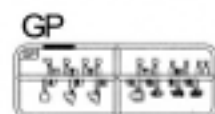
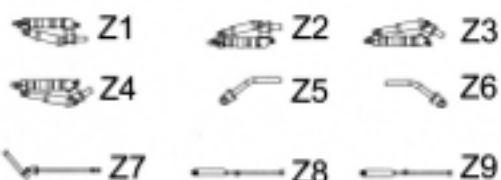
部品图
Parts



《蚀刻片》
Photo etched parts(PE)



《金属零件》
Metal parts



《主轮胎》
Main tyre

X2



《前轮胎》
Nose tyre

X2



《尾喷管 I》
Tail spout



《尾喷管 II》
Tail spout



《水贴》
Decal



《水贴》
Decal



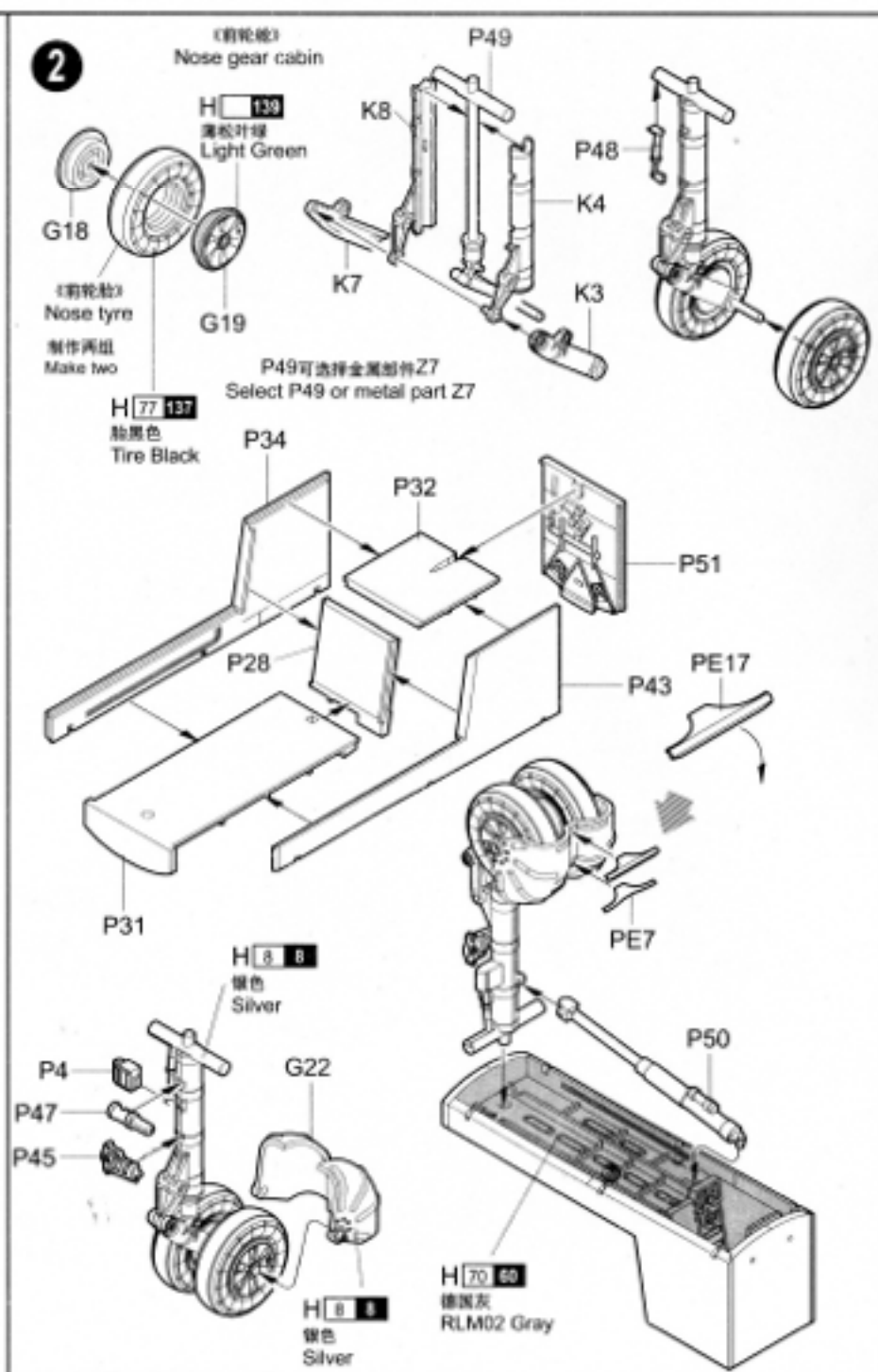
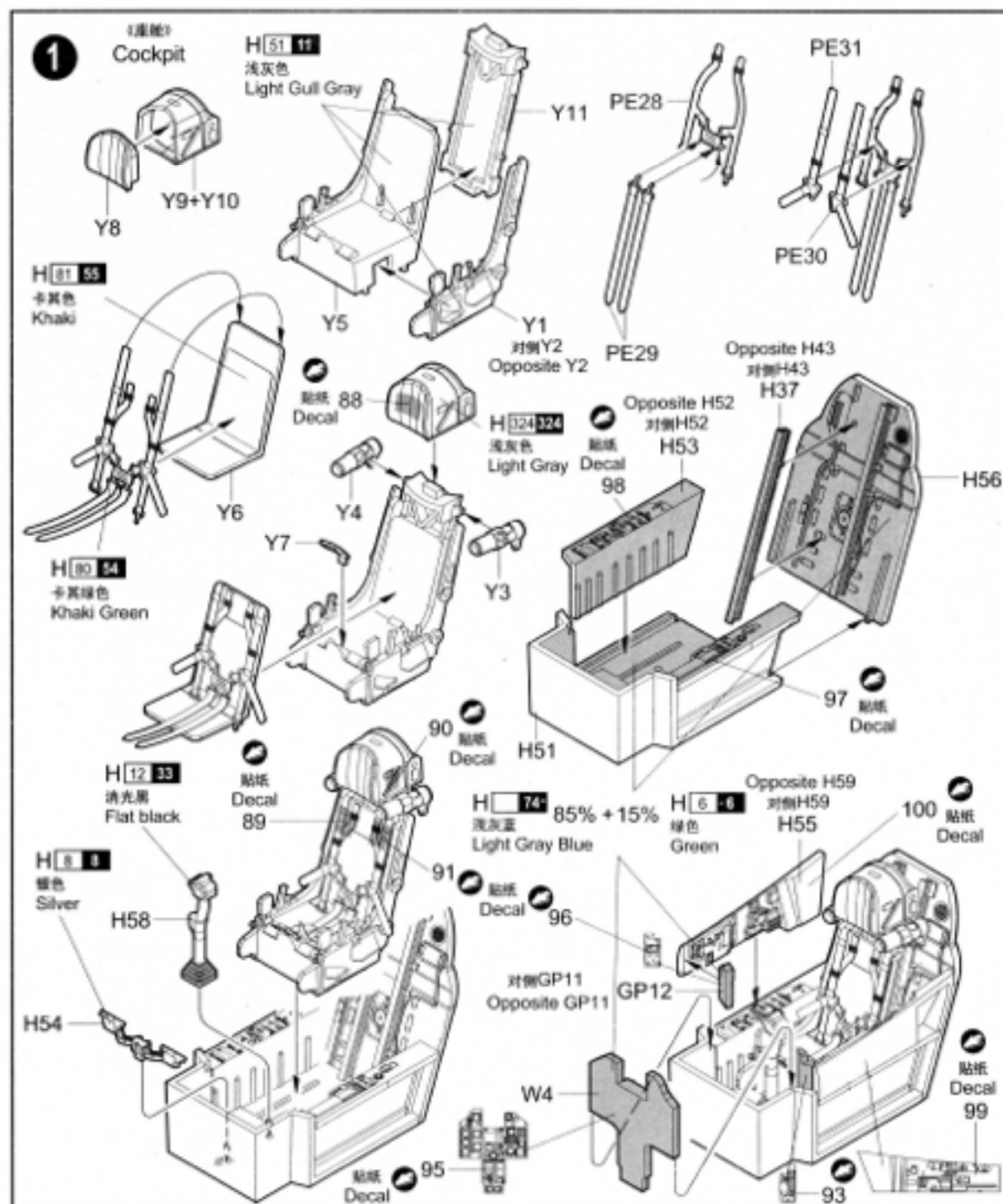
《水贴》
Decal



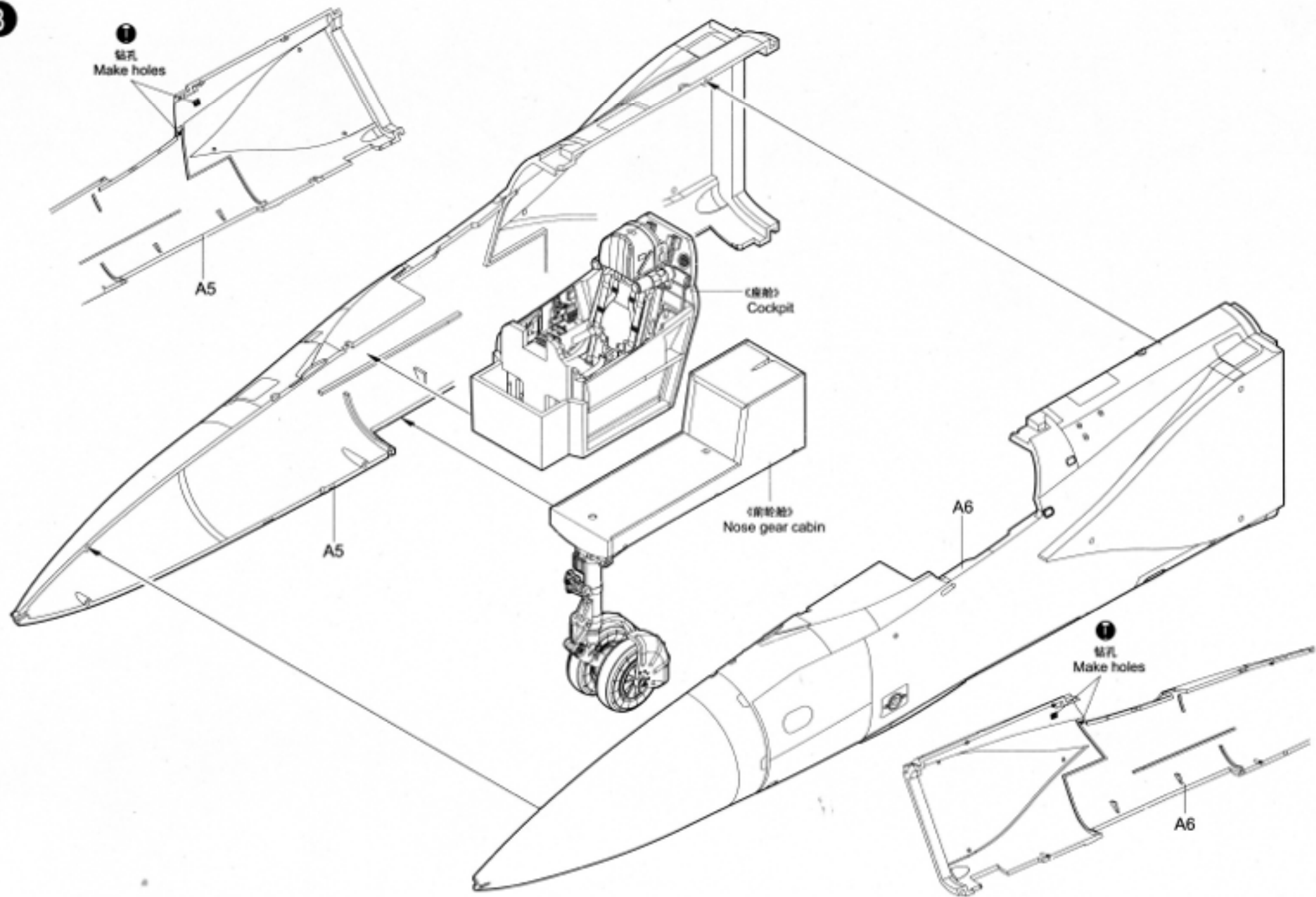
《水贴》
Decal



不用的零件: A1 A2 A8 H4 H17 H31 H32 H33 H34 H35 H36
Unused parts H38 H39 H40 H41 H42 H44 K1 K11 V1 V2 V4
W2 WD7 WD9 N1 N2 N9 N10 N12 N13 N14 N15
N17 N19 N20 N21 N22 N24 N27 N28 U2 U4 U5
PE6 PE10 PE12 PE14

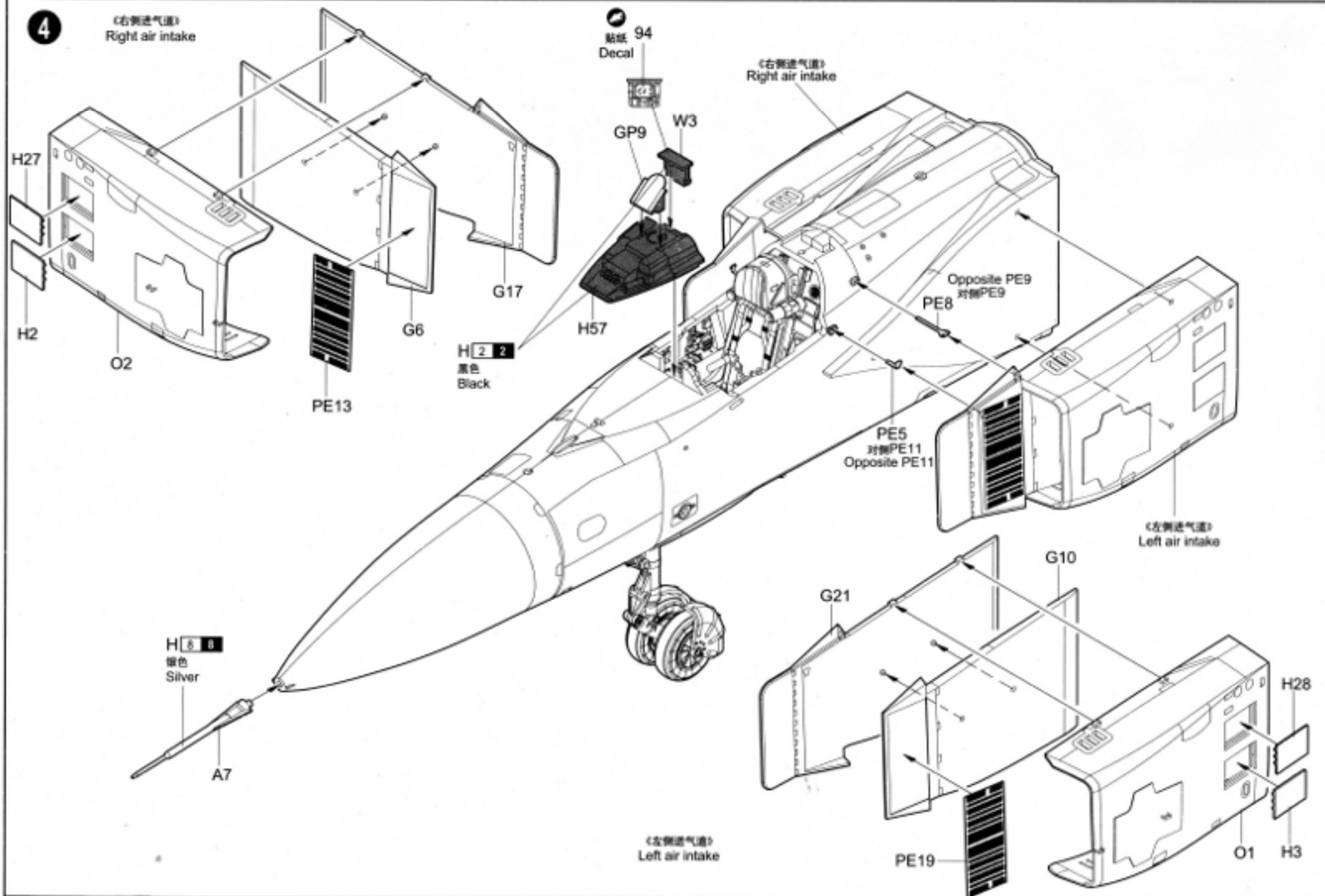


3

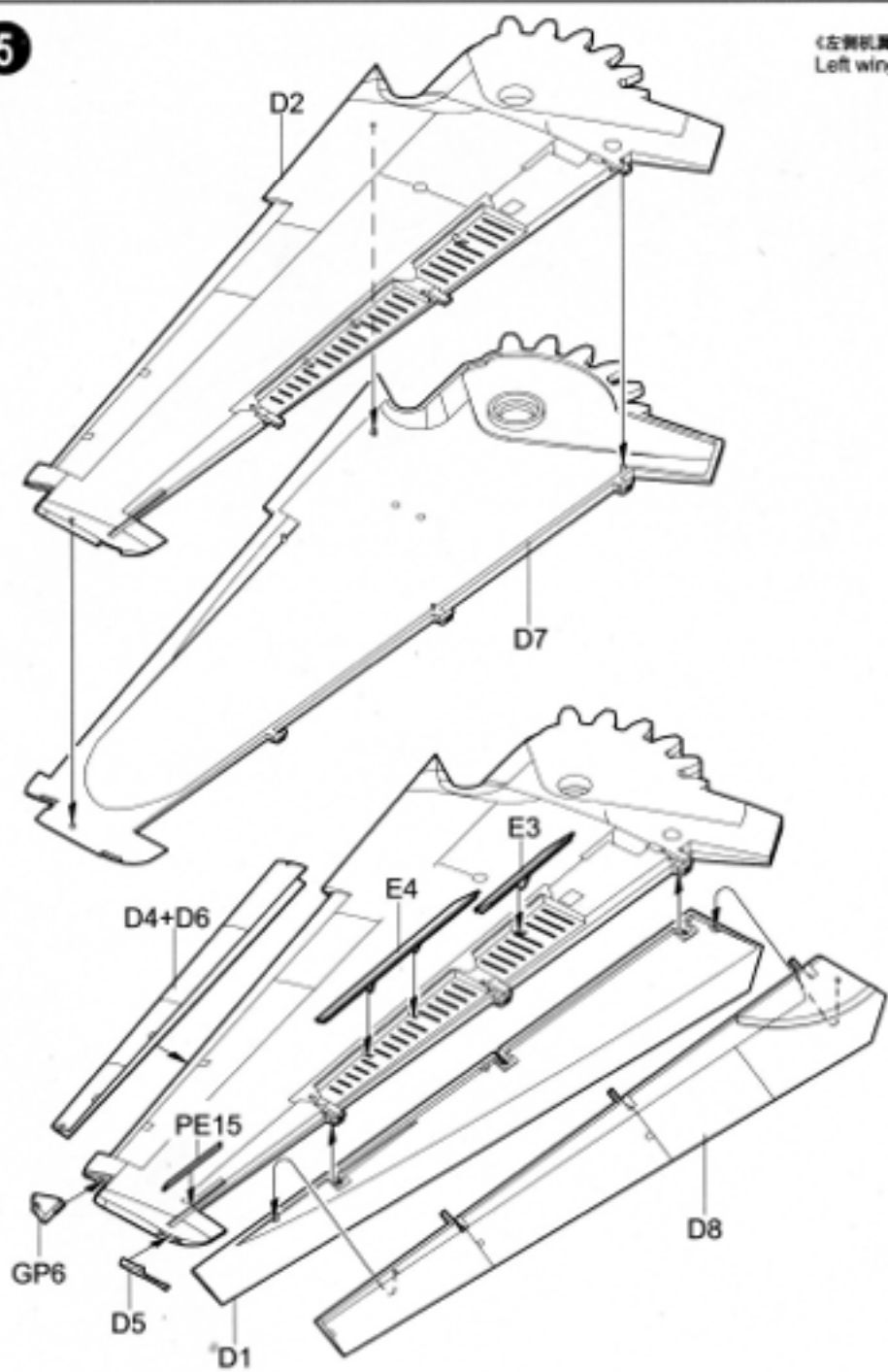


4

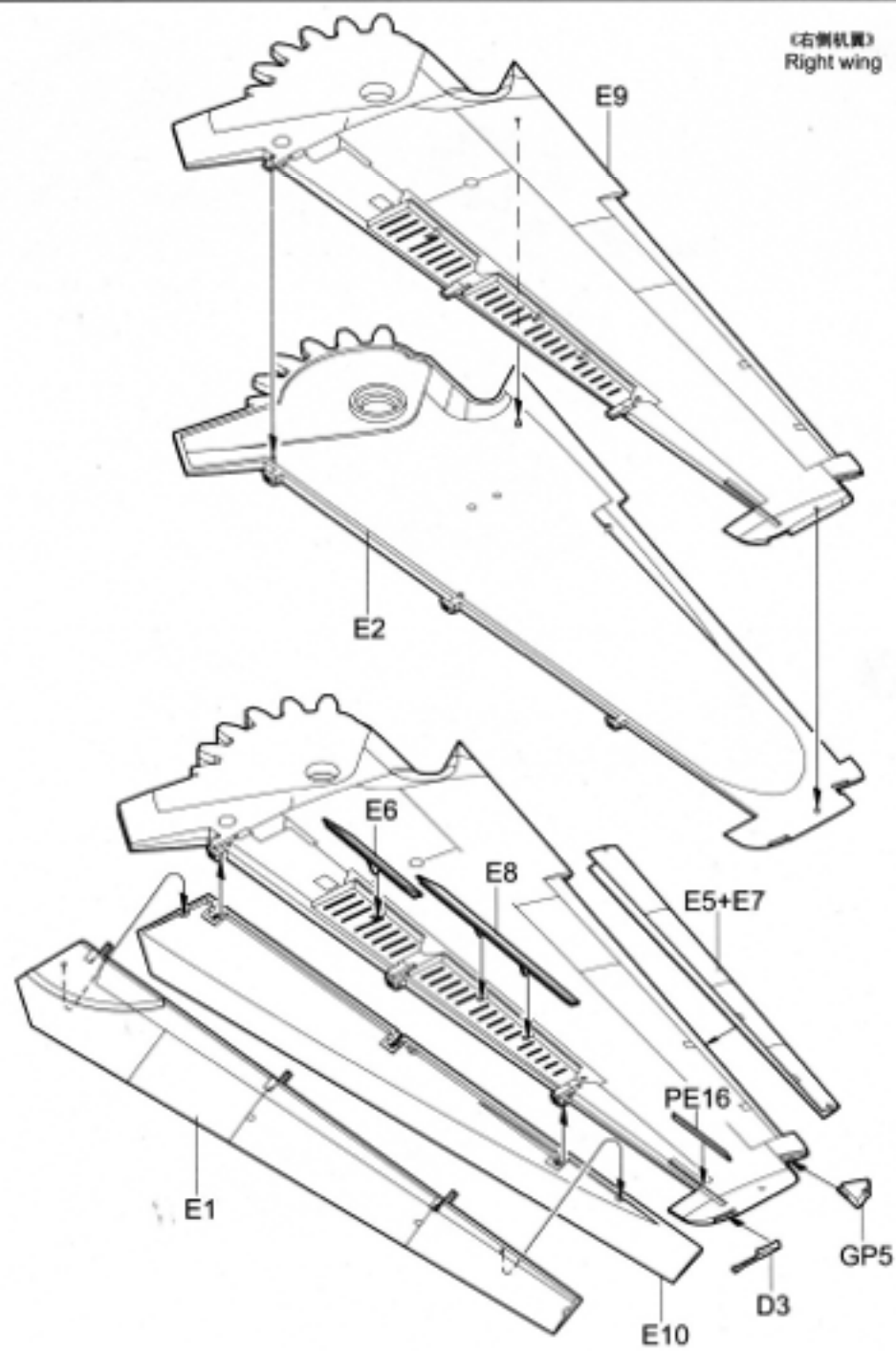
《右侧进气道》
Right air intake



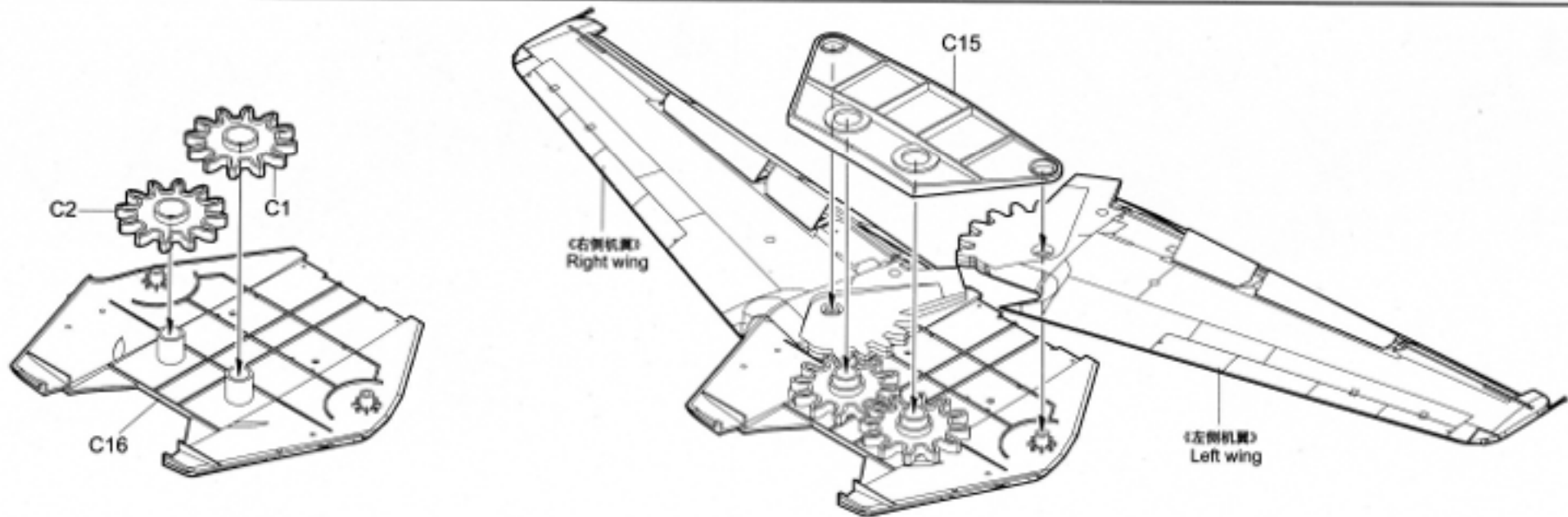
5

《左側机翼》
Left wing

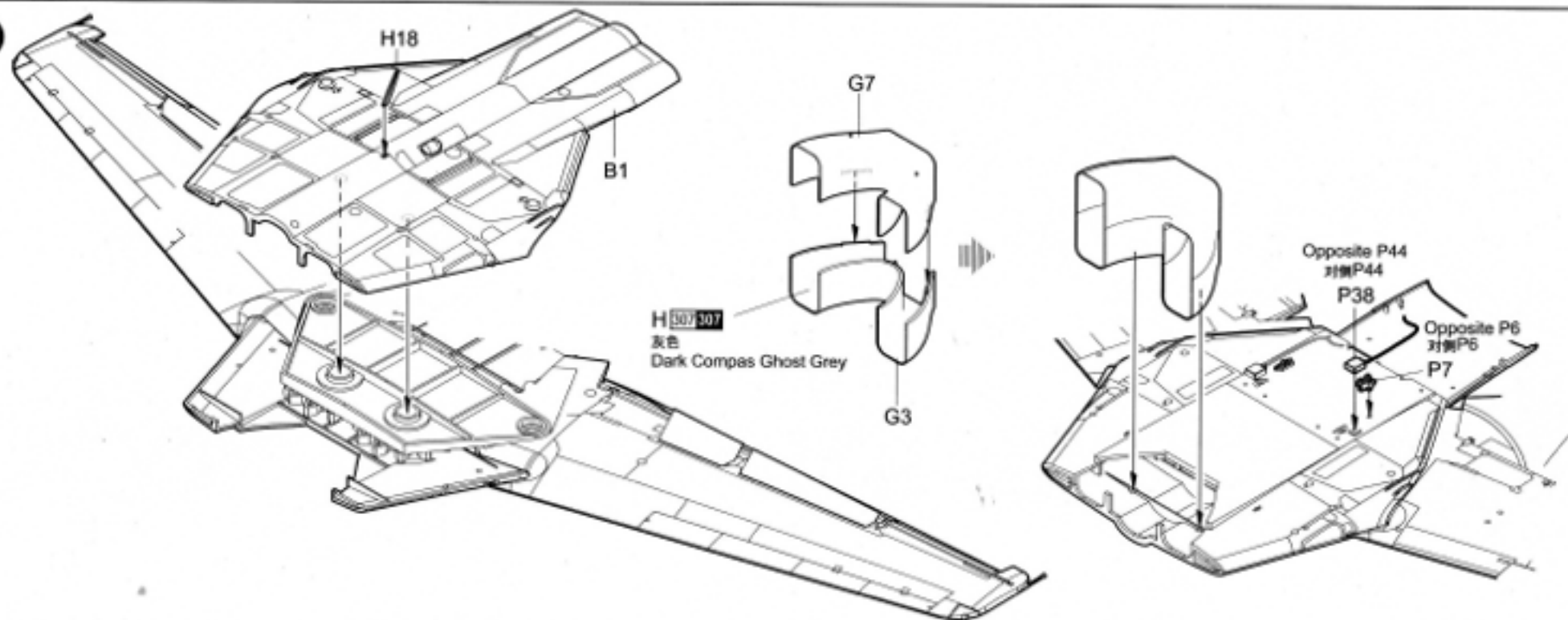
6

《右侧机翼》
Right wing

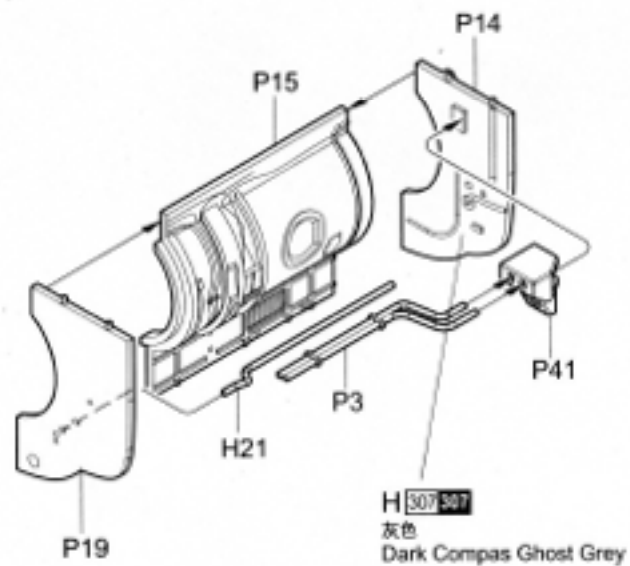
7



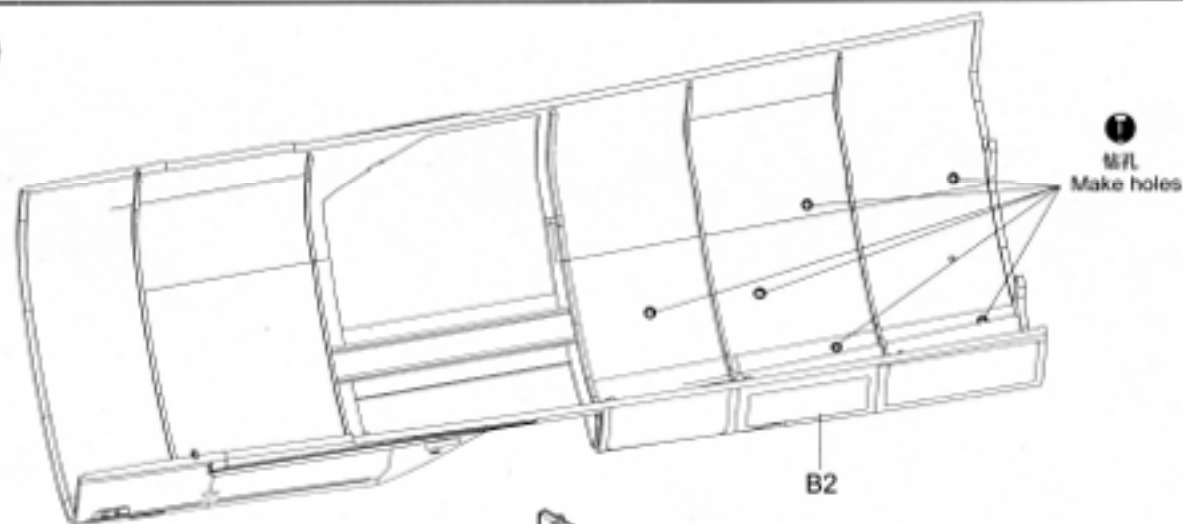
8



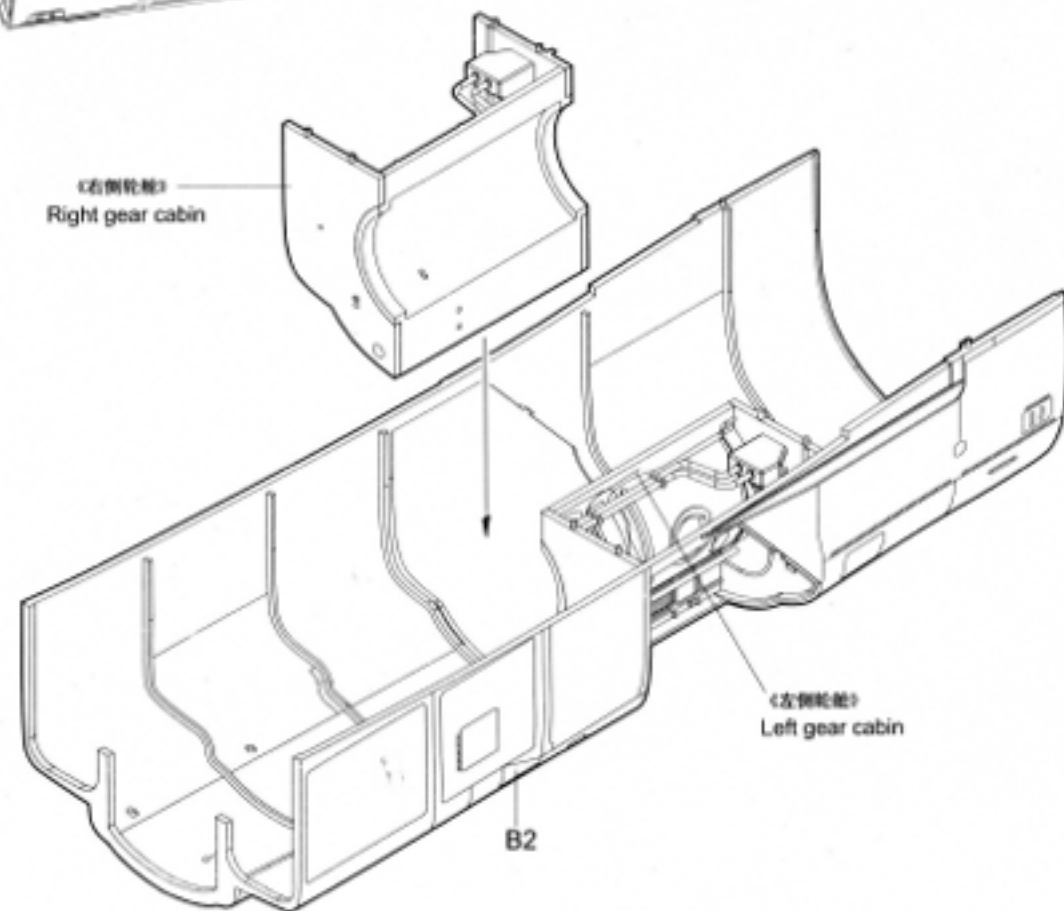
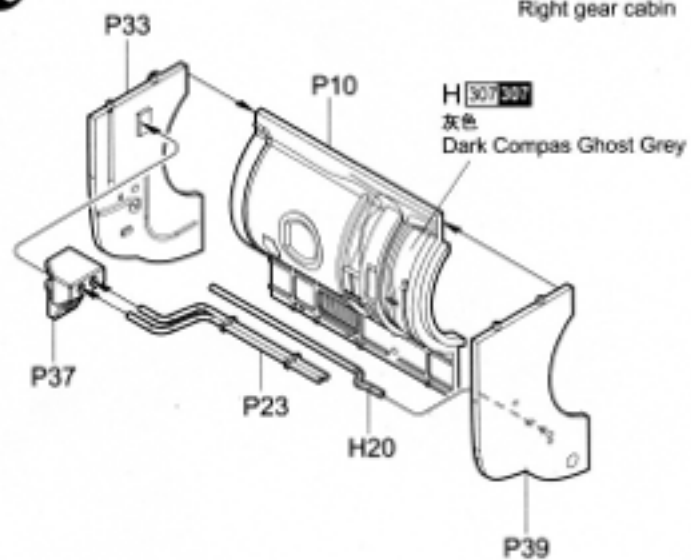
9

《左侧轮毂》
Left gear cabin

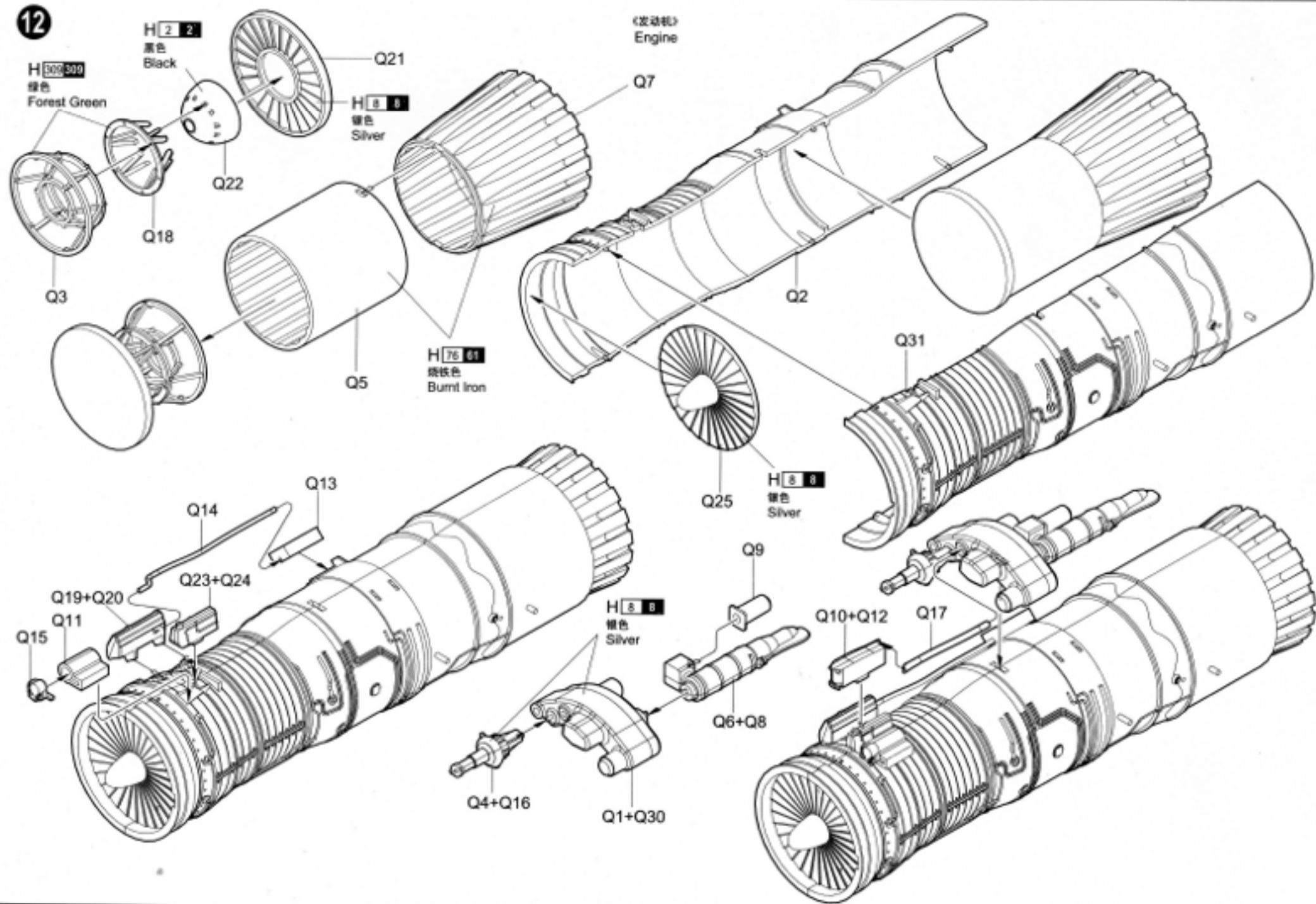
11

①
钻孔
Make holes

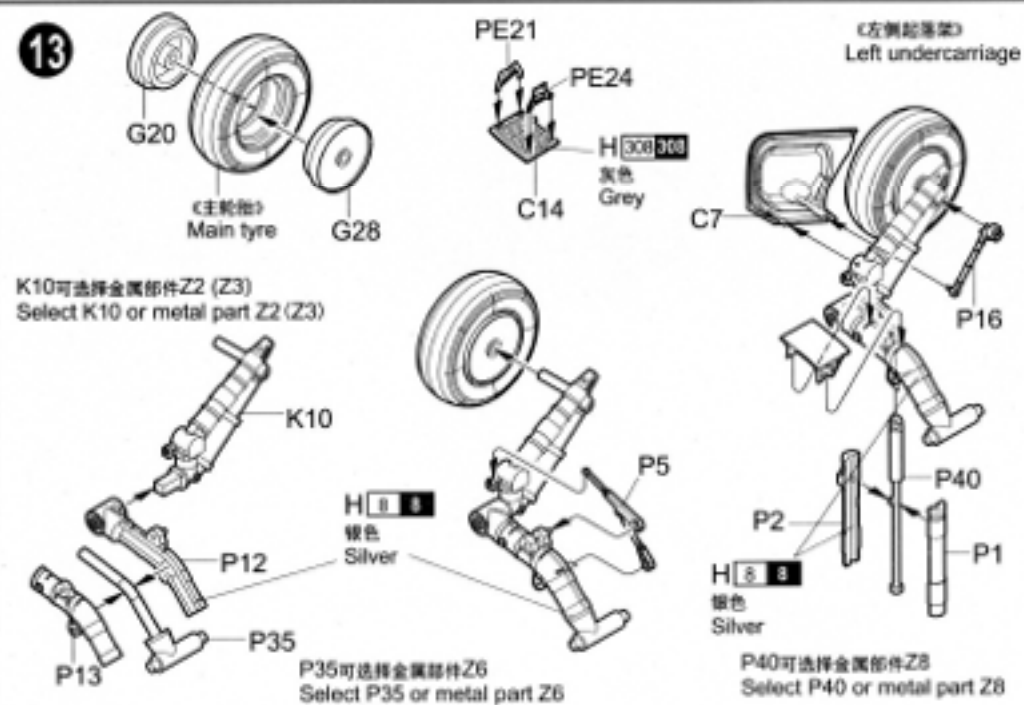
10

《右侧轮毂》
Right gear cabin

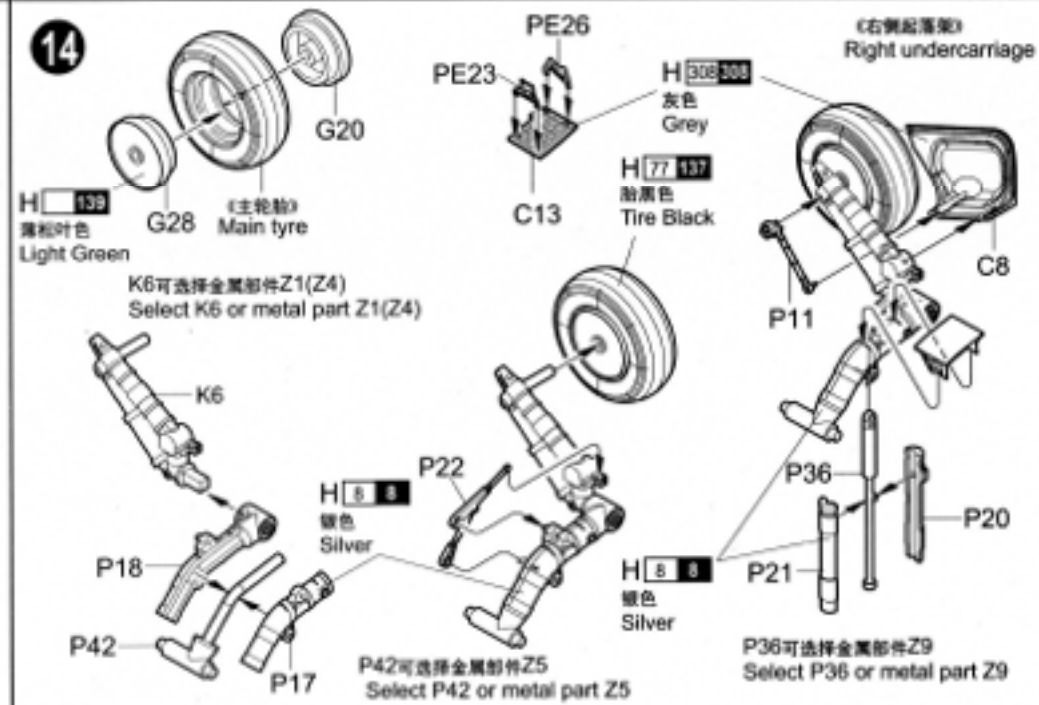
12



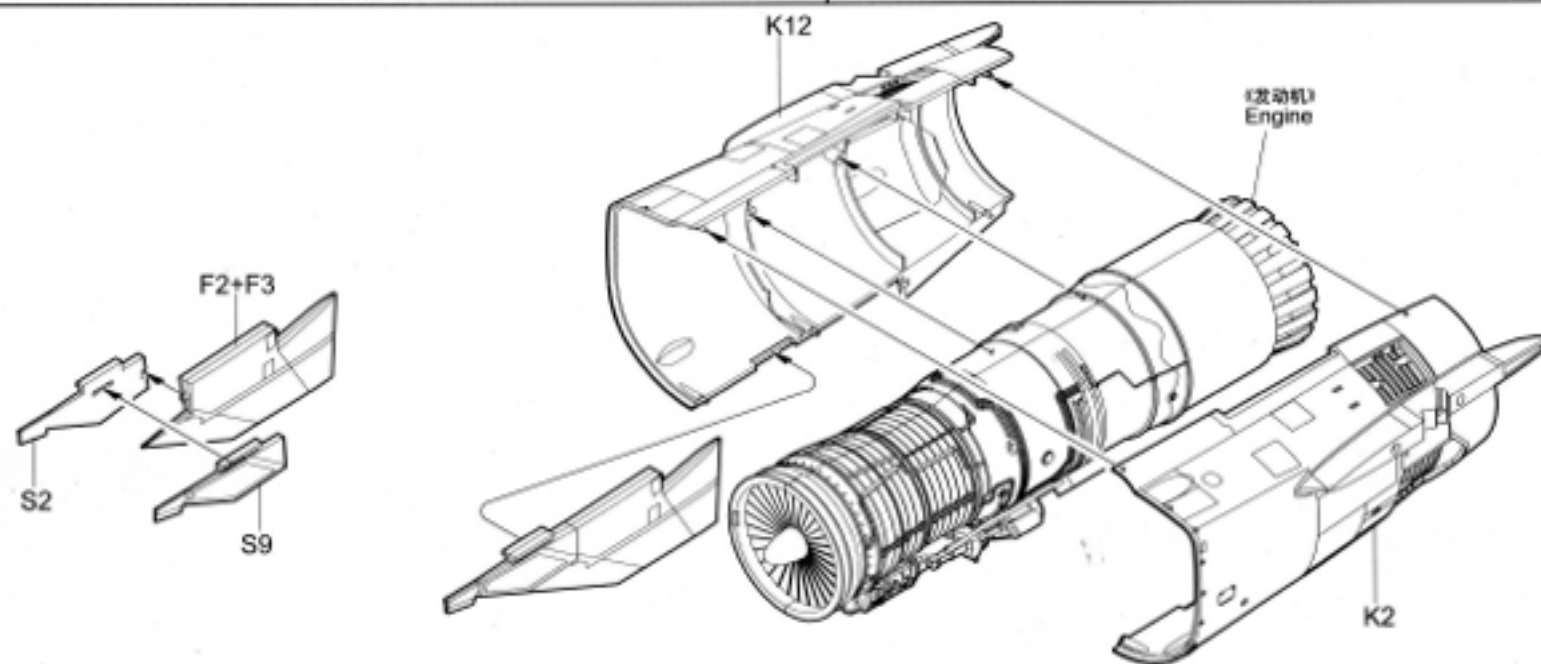
13



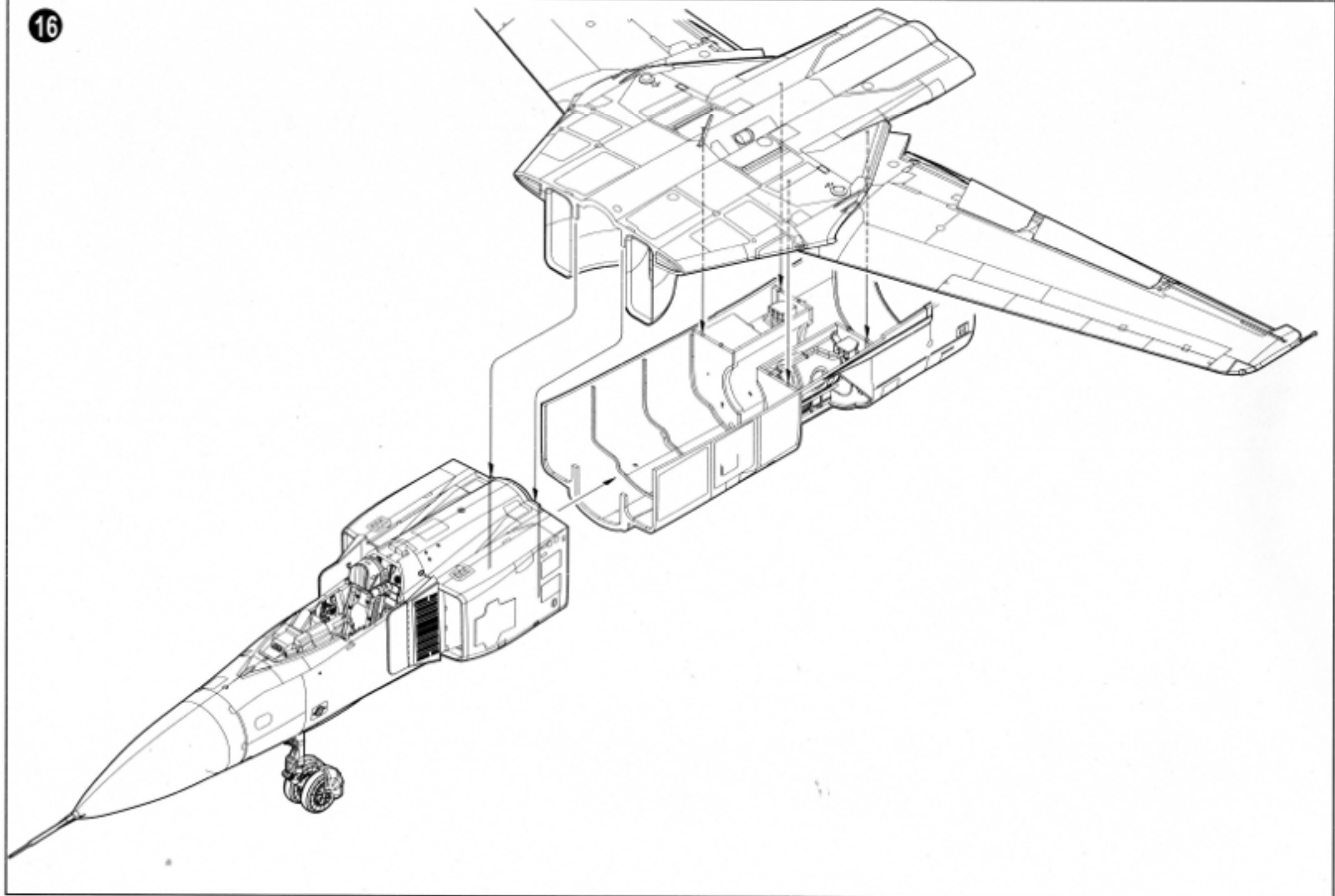
14



15



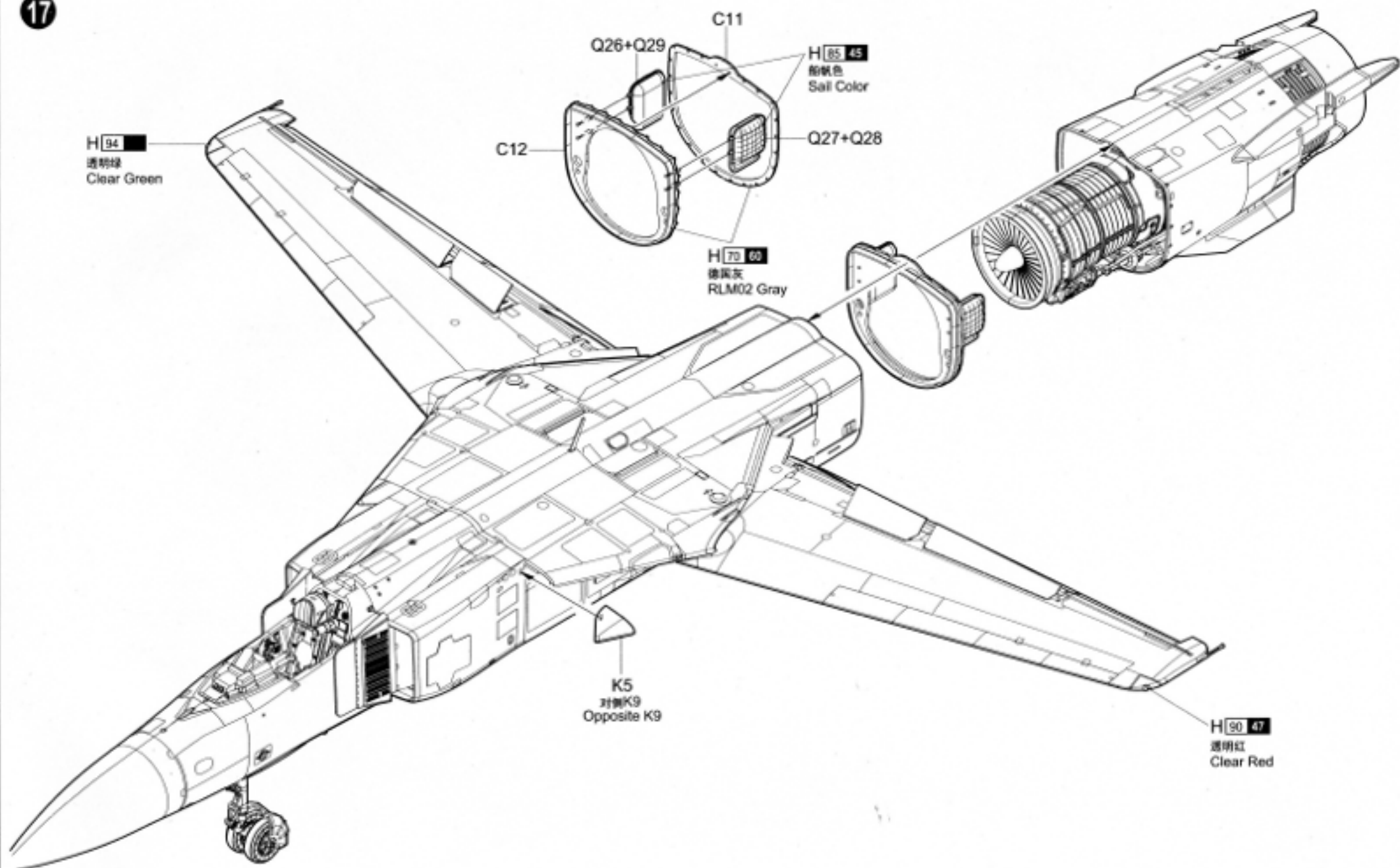
16



03211

12

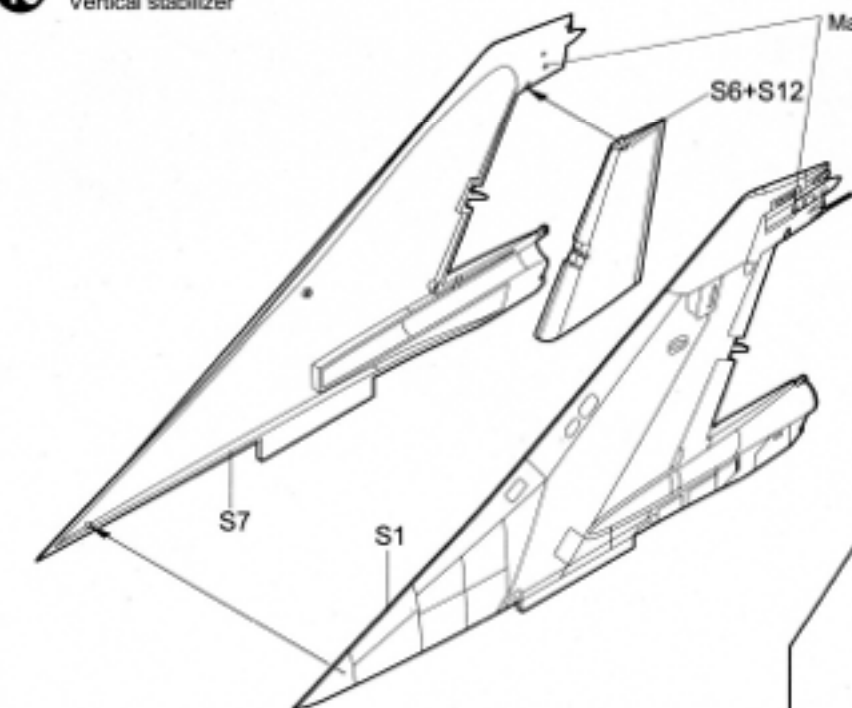
17



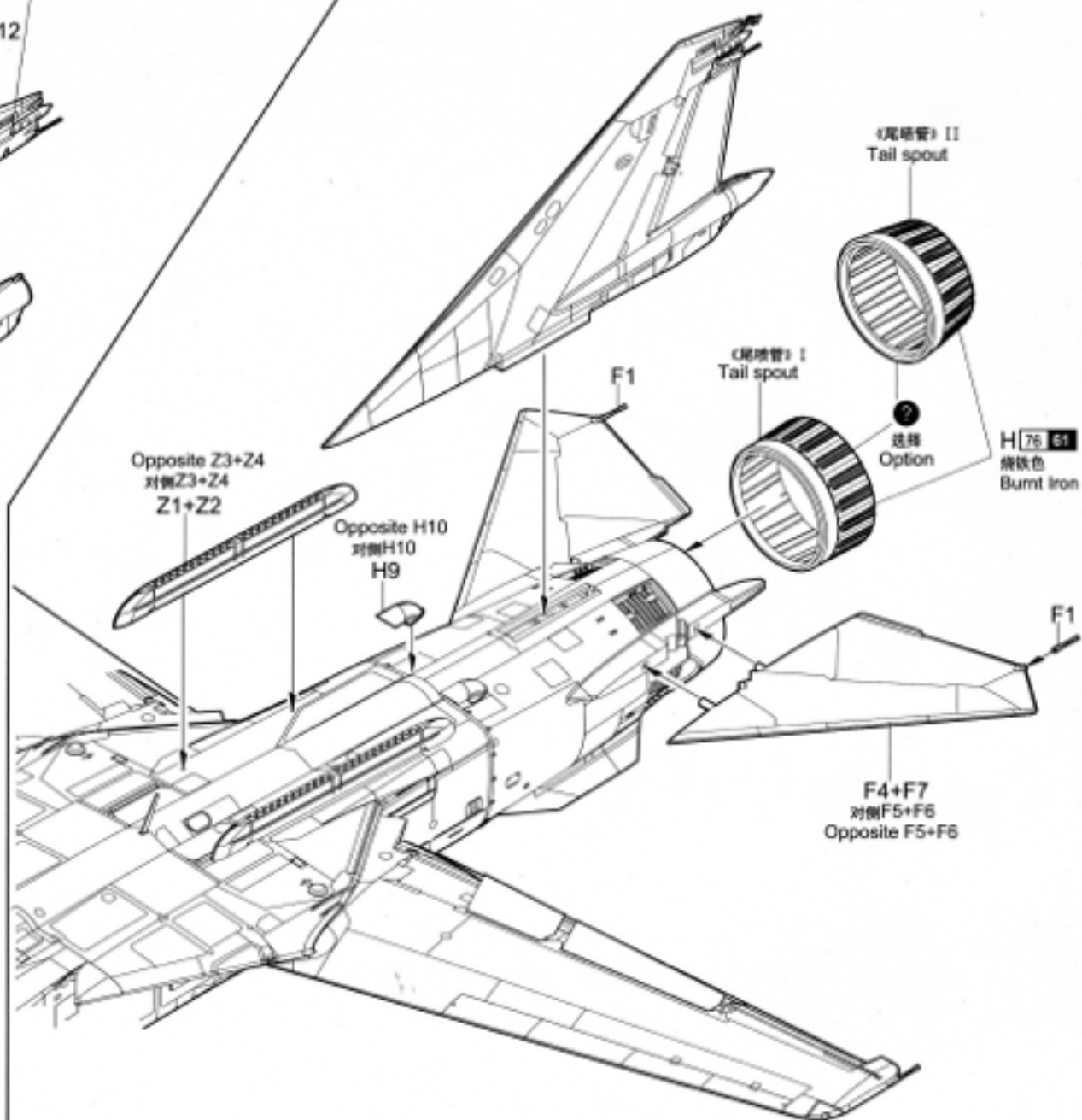
18

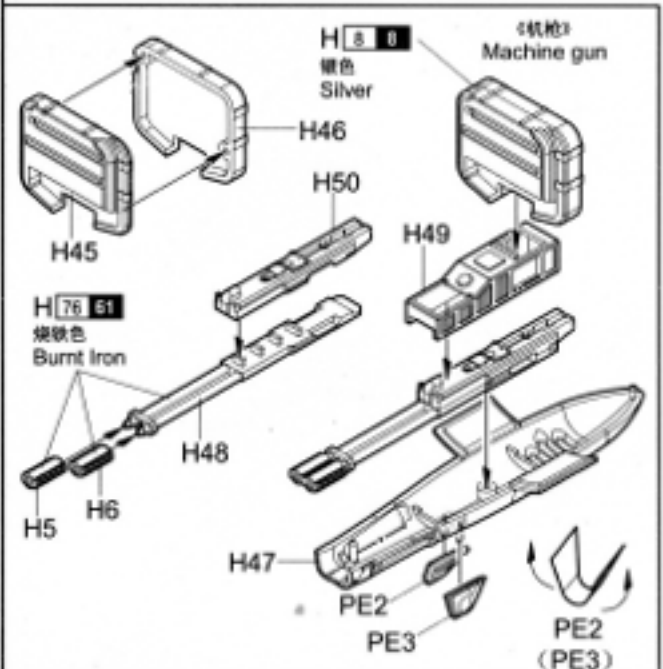
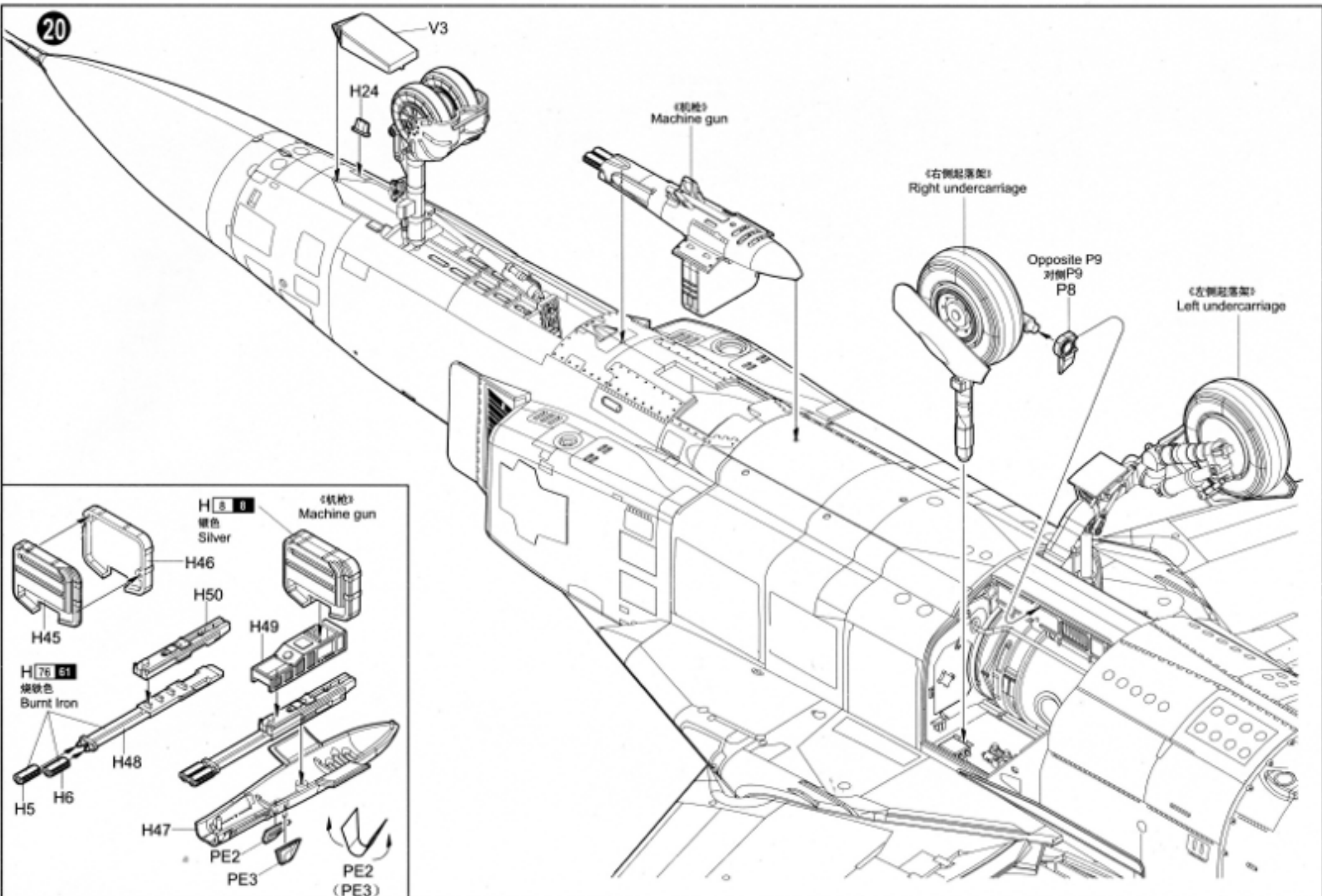
《垂直尾翼》
Vertical stabilizer

●
轴孔
Make holes

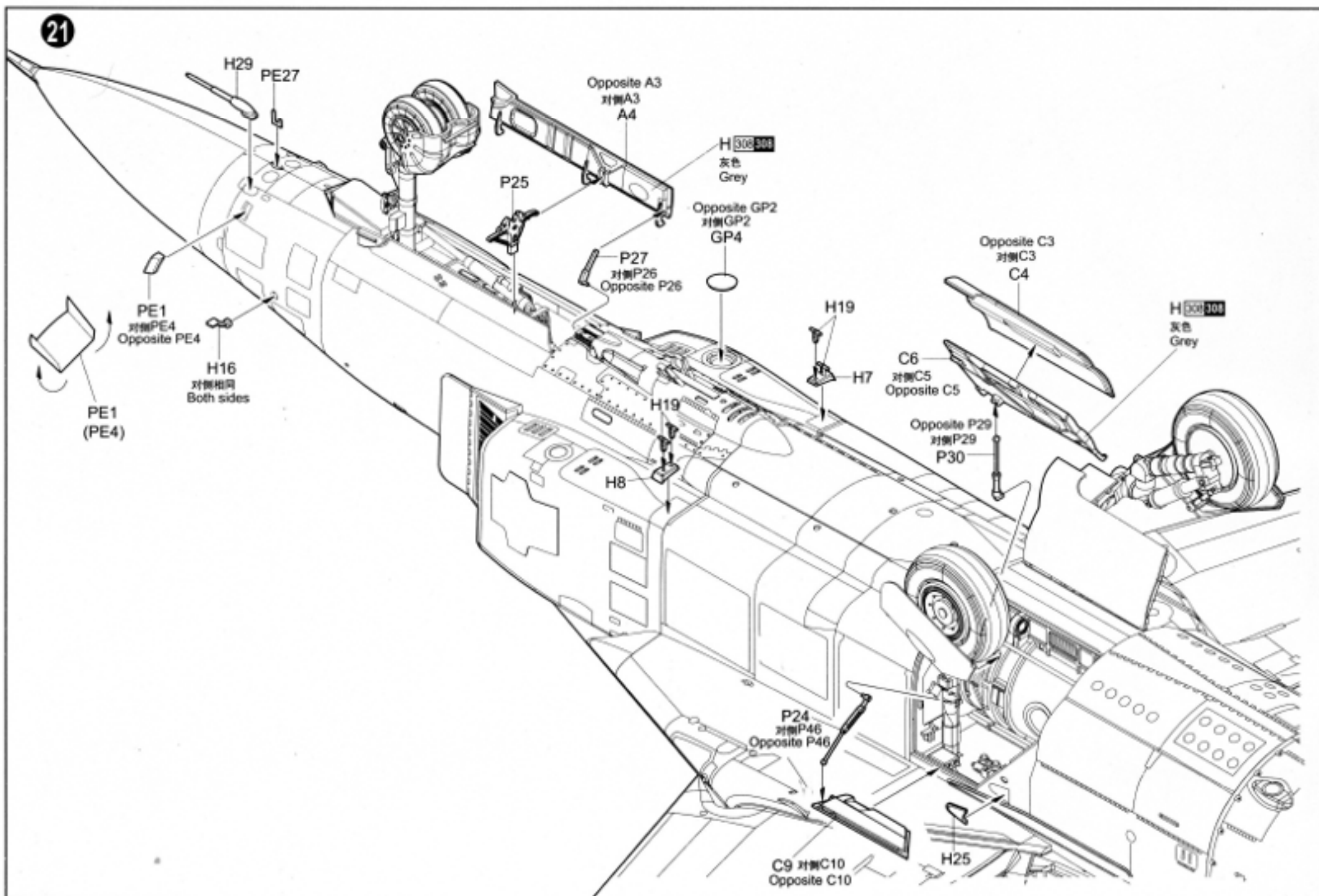


19



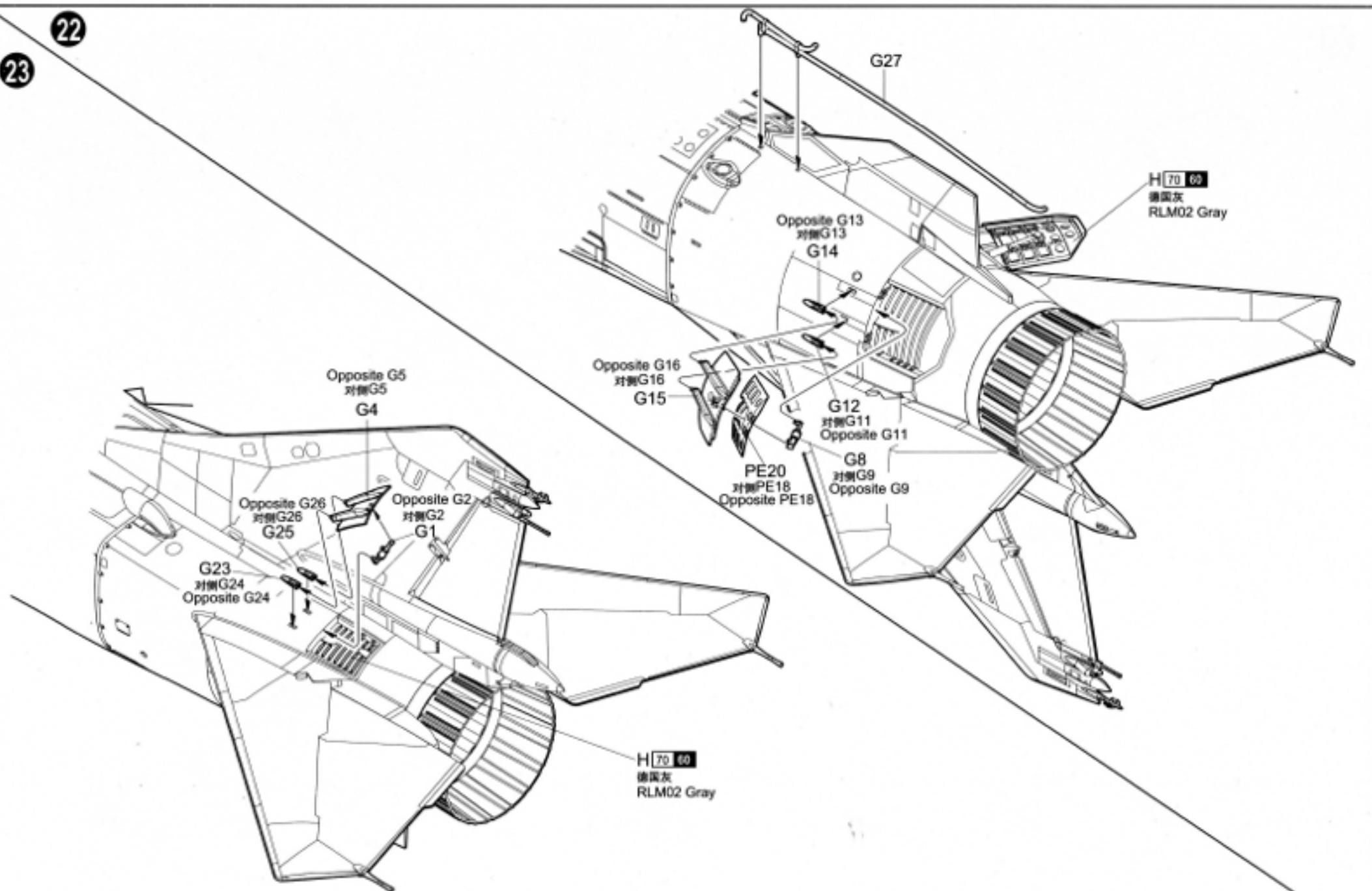


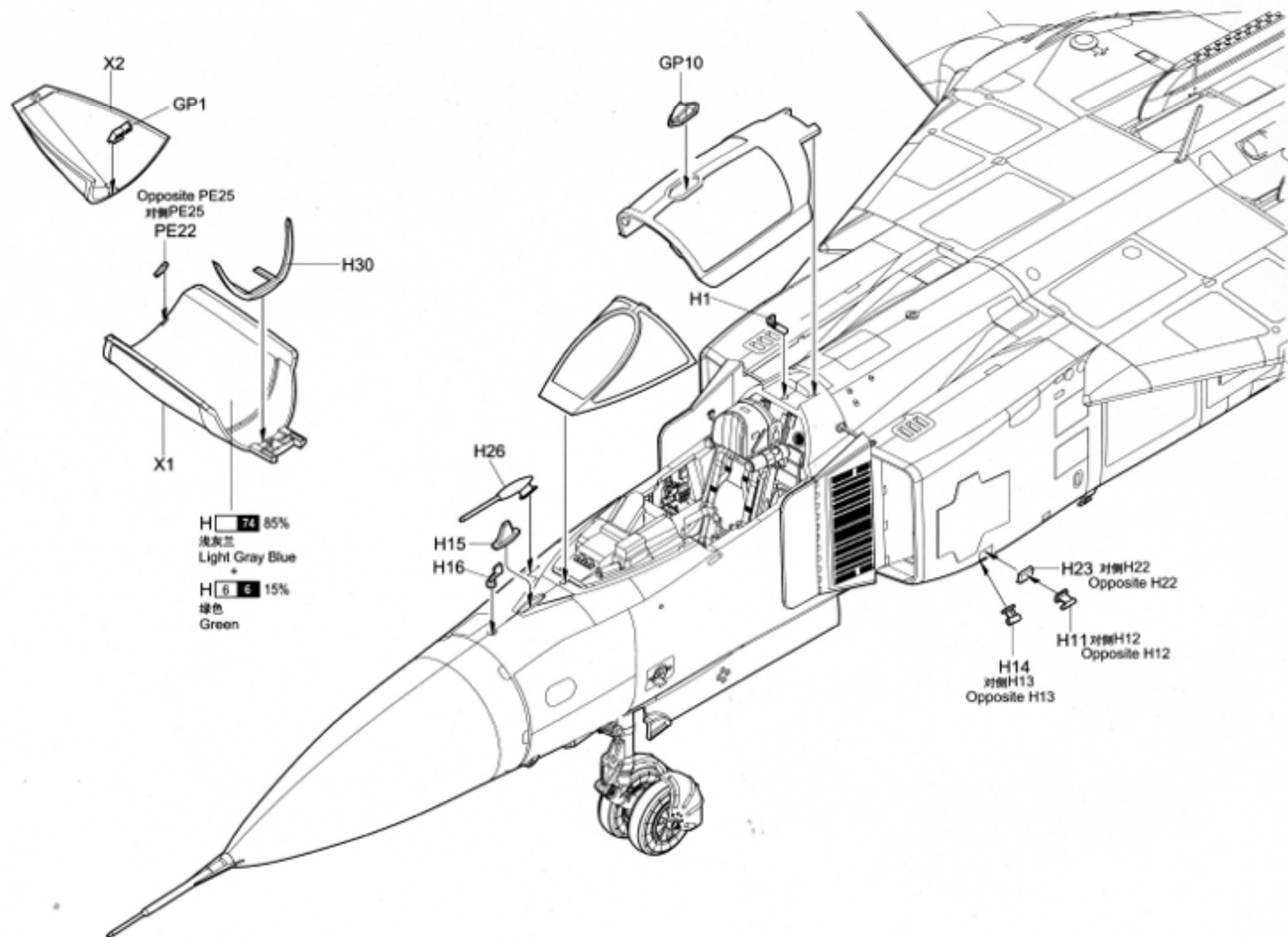
21



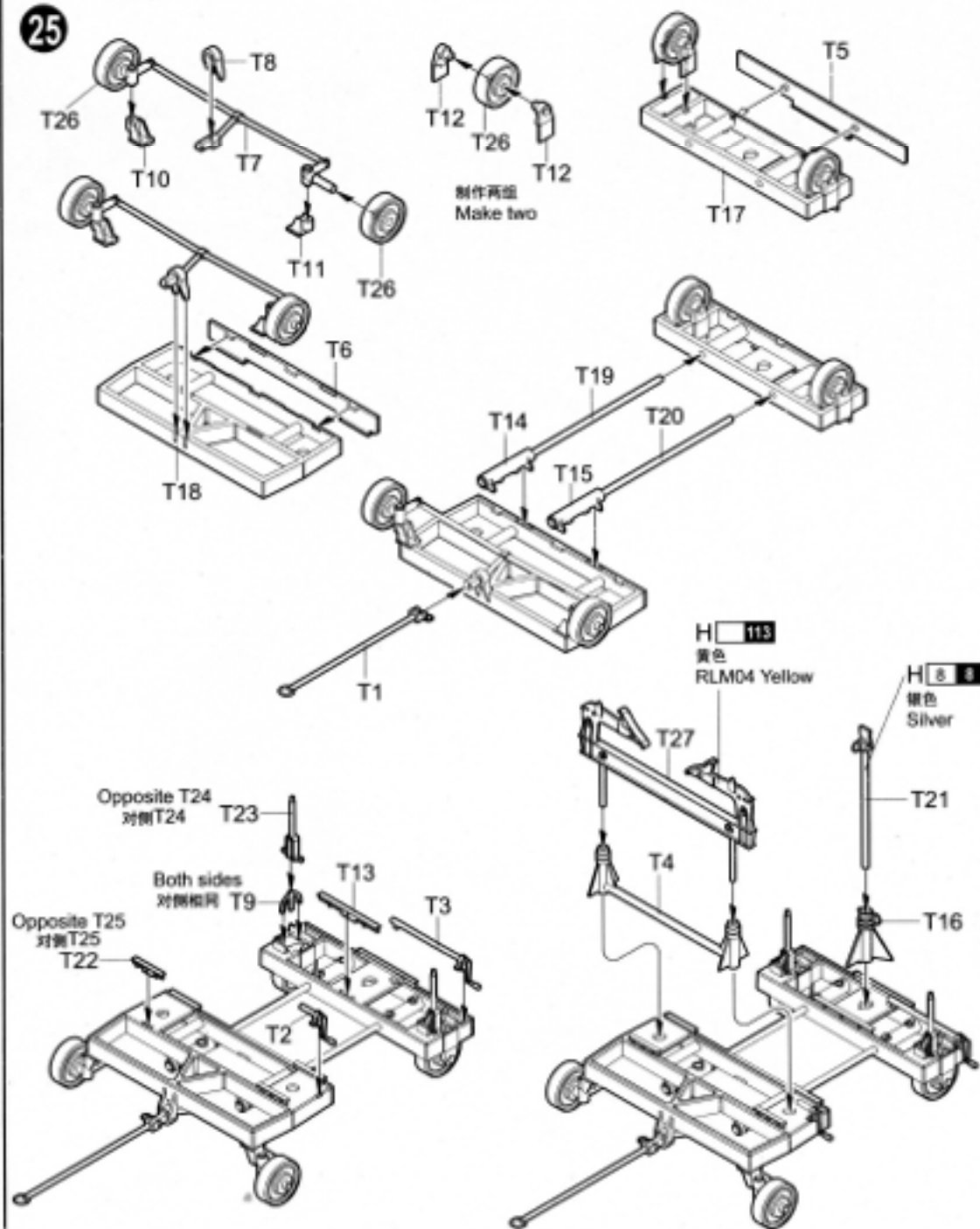
23

22

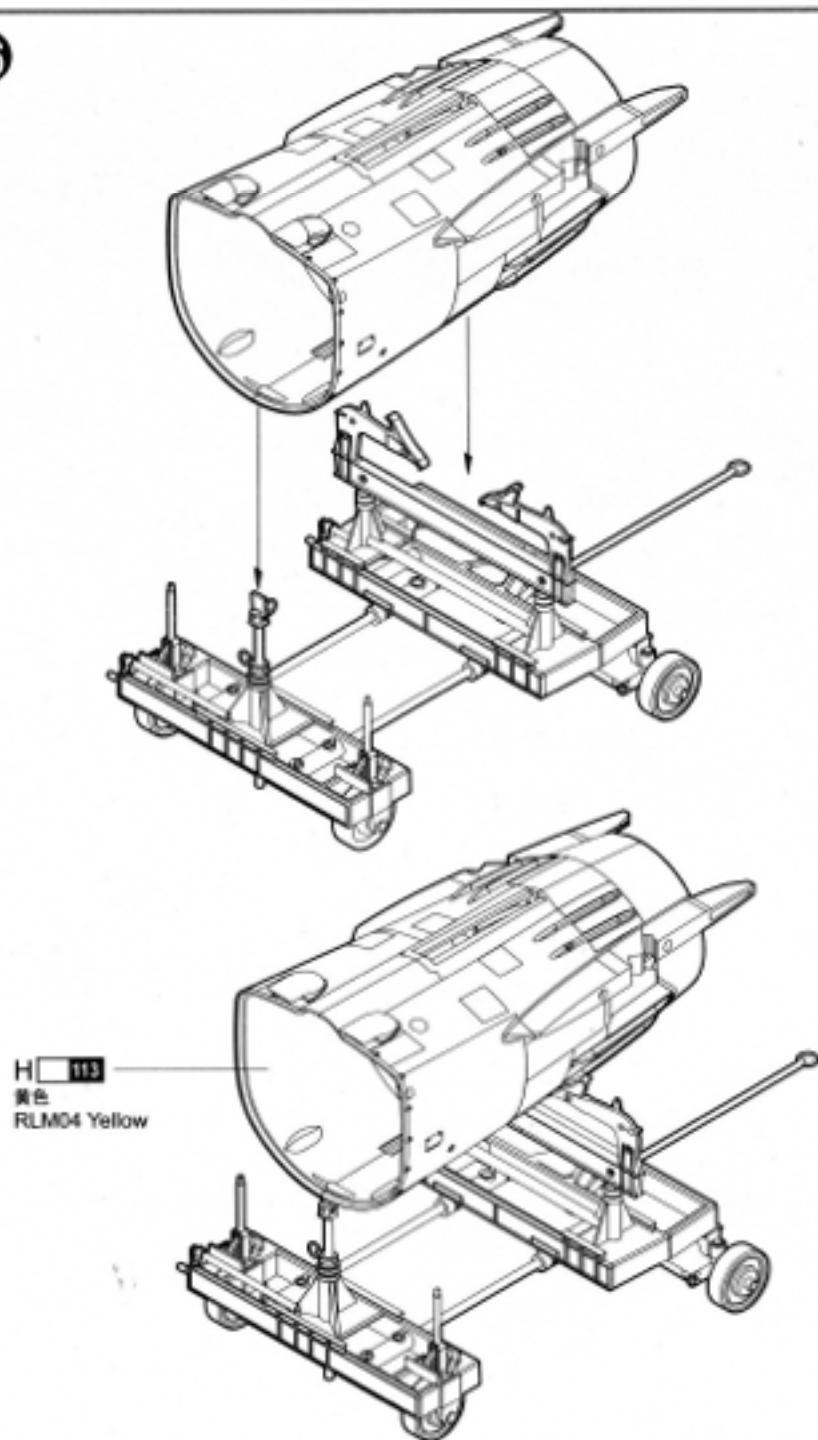


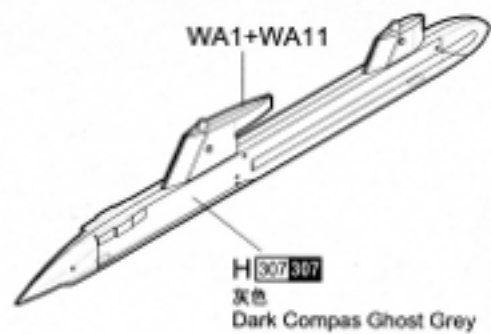


25



26

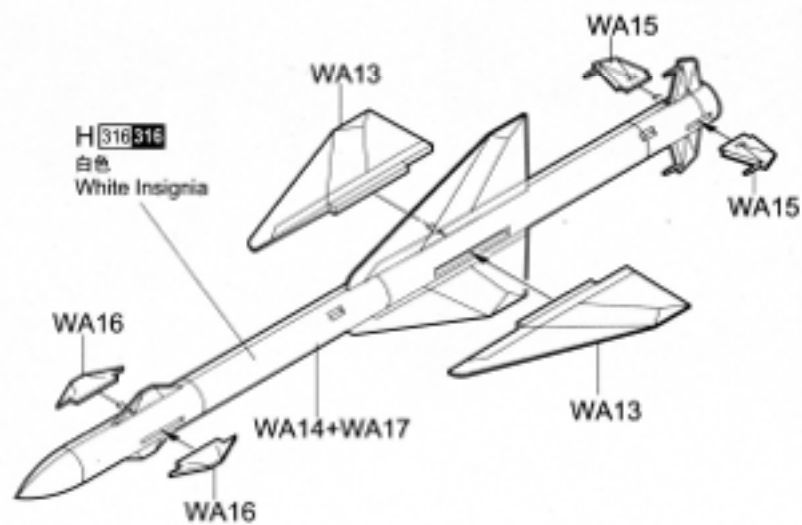




用于: R-23R R-23T R-24R R-24T

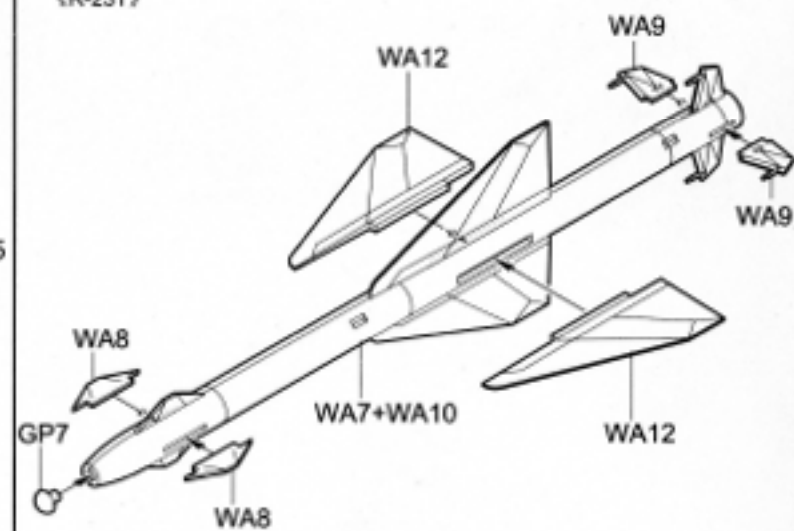
Use for :

(R-23R)



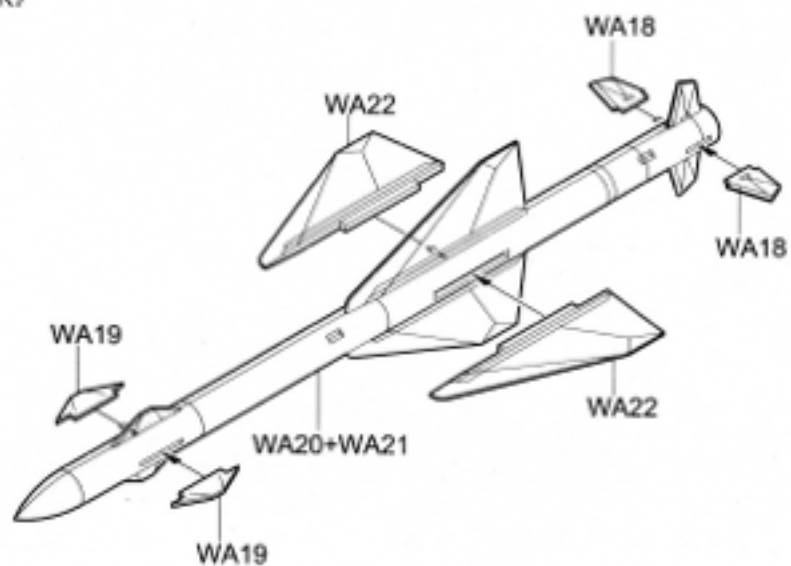
制作两组
Make two

(R-23T)



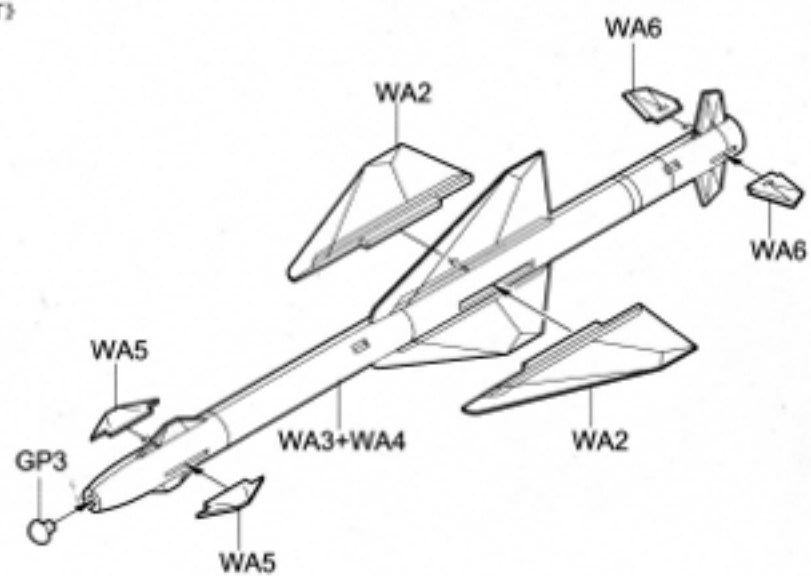
制作两组
Make two

(R-24R)



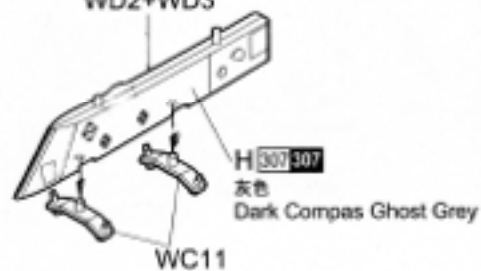
制作两组
Make two

(R-24T)



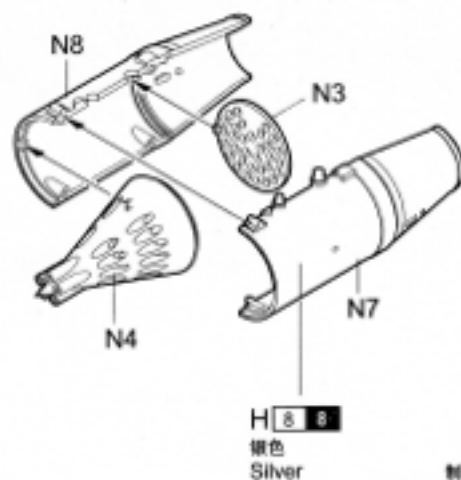
制作两组
Make two

28

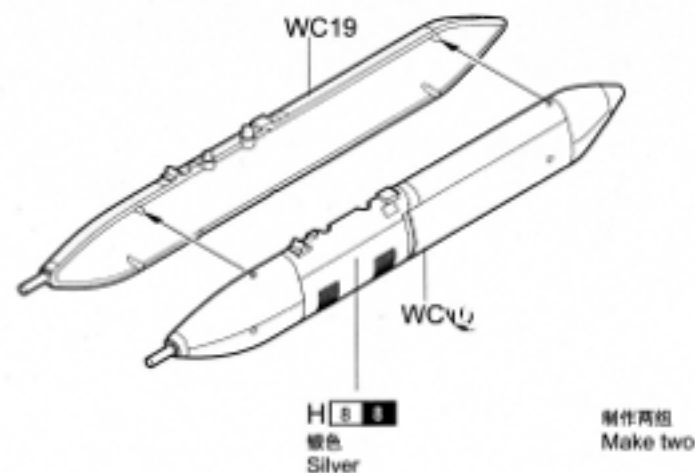
(WD4+WD16)
WD2+WD3

用于: UB-32M UPK-23 RB-250 RBK-250
Use for: RBK-500 B-8M1 R-13M R-13M1
R-3R S-24B KH-23M APU-60

(UB-32M)

制作两组
Make two

(UPK-23)

制作两组
Make two

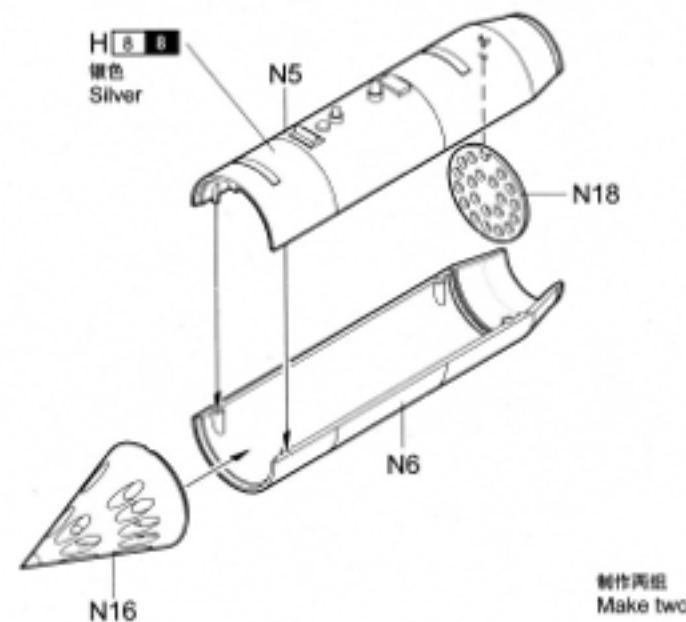
(RB-250)

制作两组
Make two

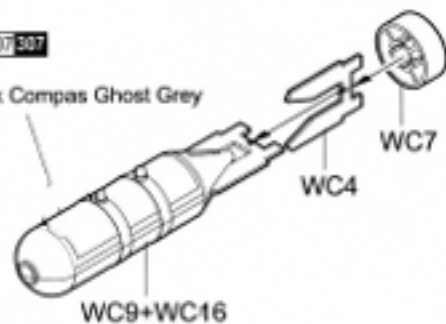
(RBK-500)

制作两组
Make two

(B-8M1)

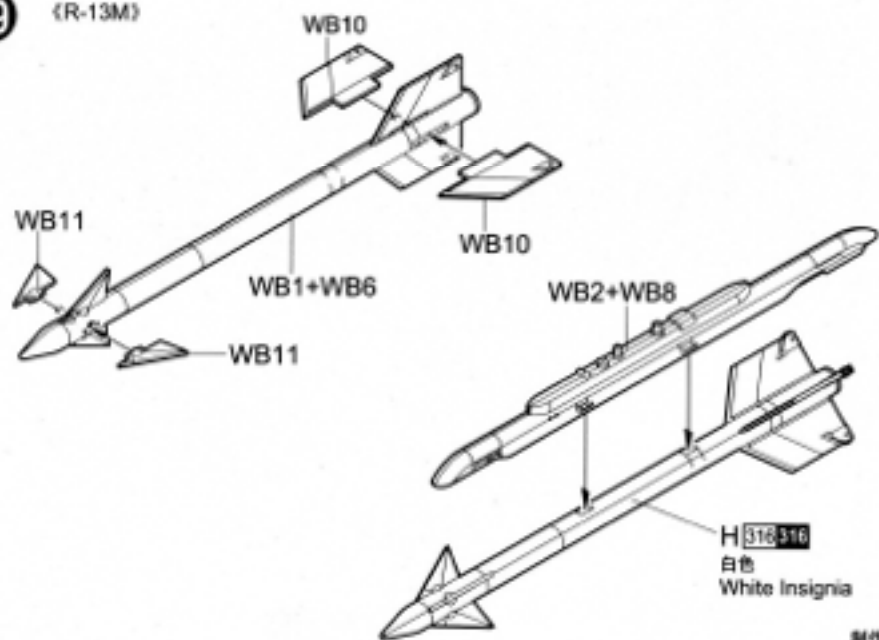
制作两组
Make two

(RBK-250)

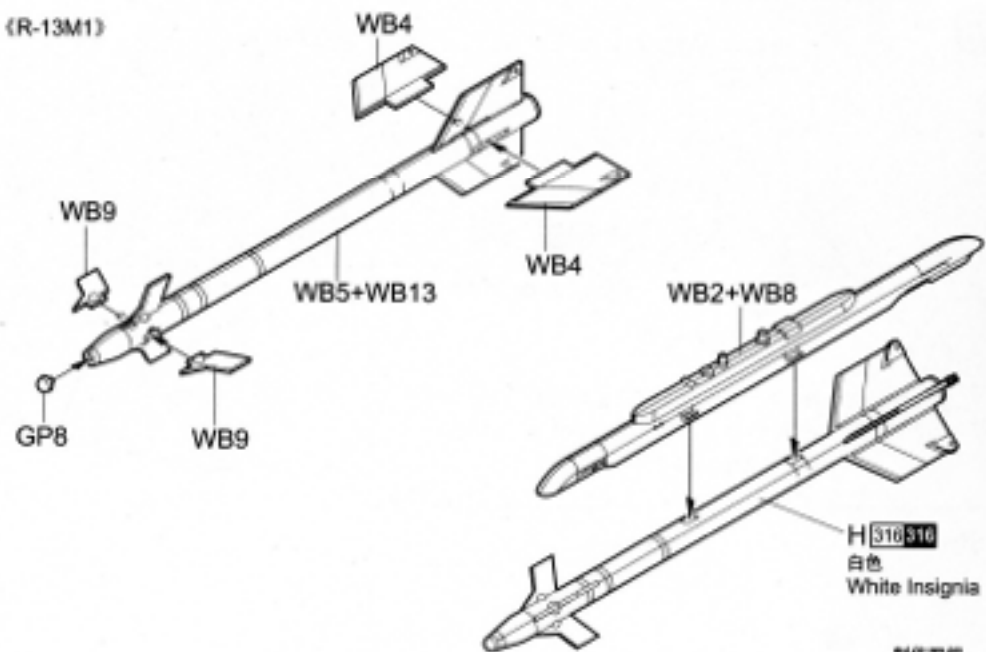
制作两组
Make two

29

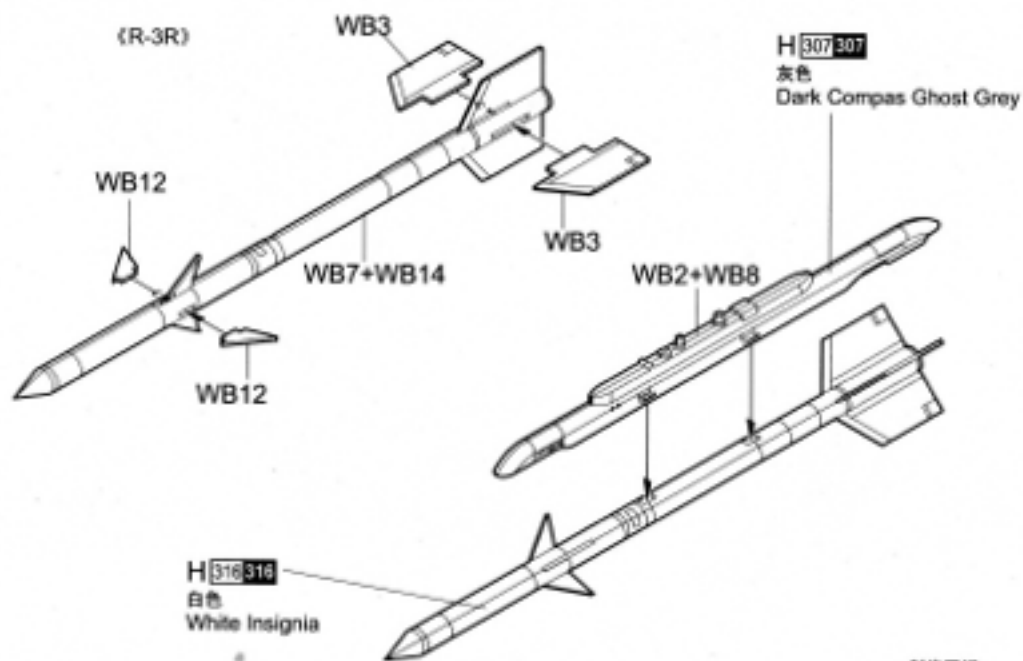
(R-13M)

制作四组
Make Four

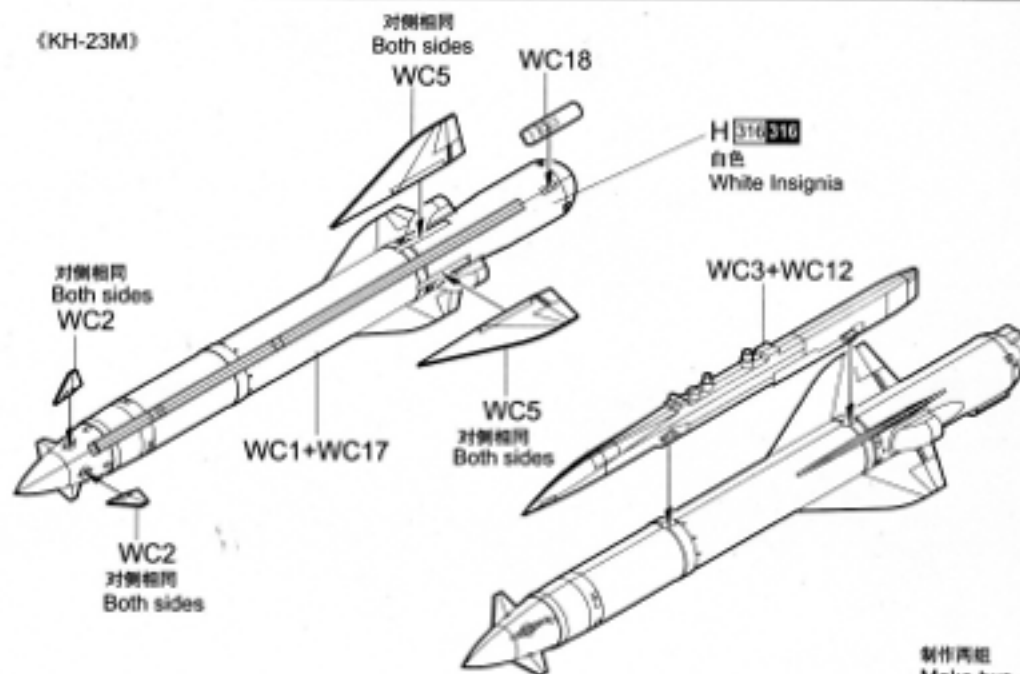
(R-13M1)

制作四组
Make Four

(R-3R)

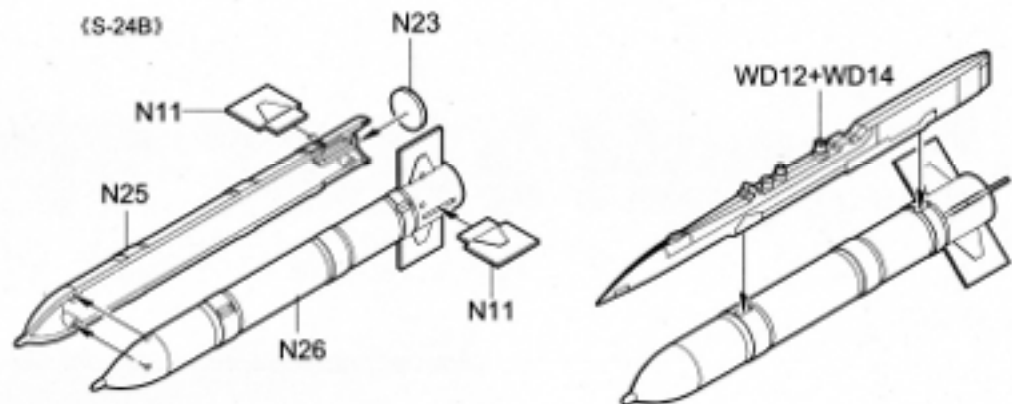
制作四组
Make Four

(KH-23M)

制作两组
Make two

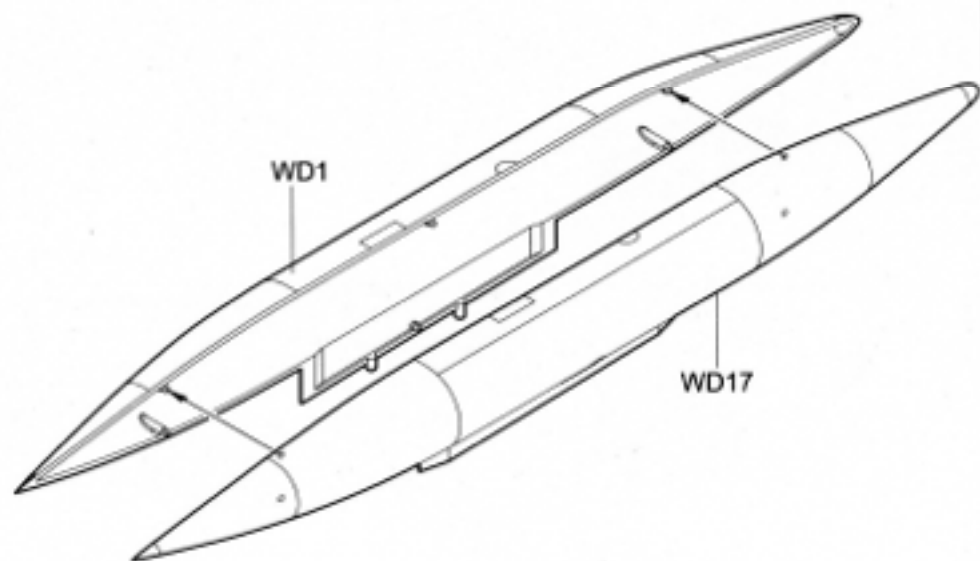
30

(S-24B)

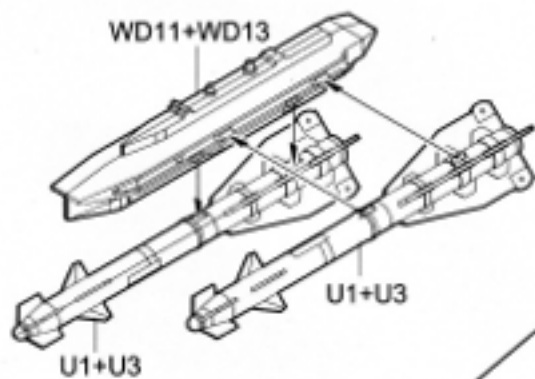


制作两组
Make two

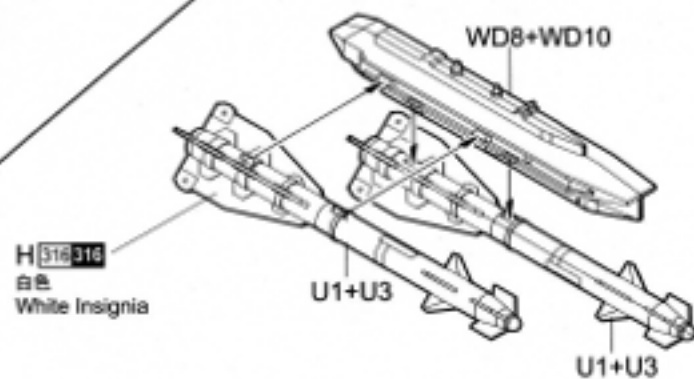
(PTB-800)



(R-60) - Left

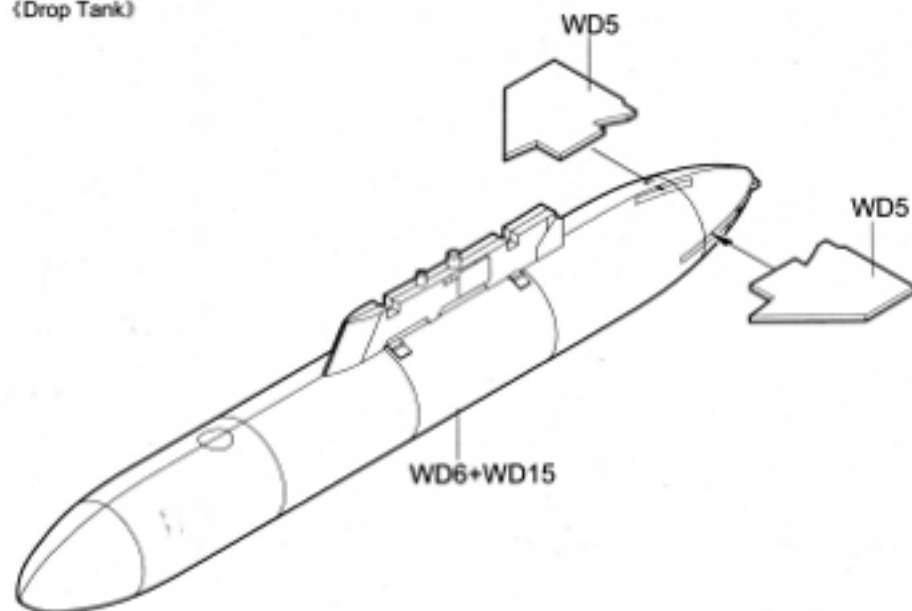


(R-60) - right

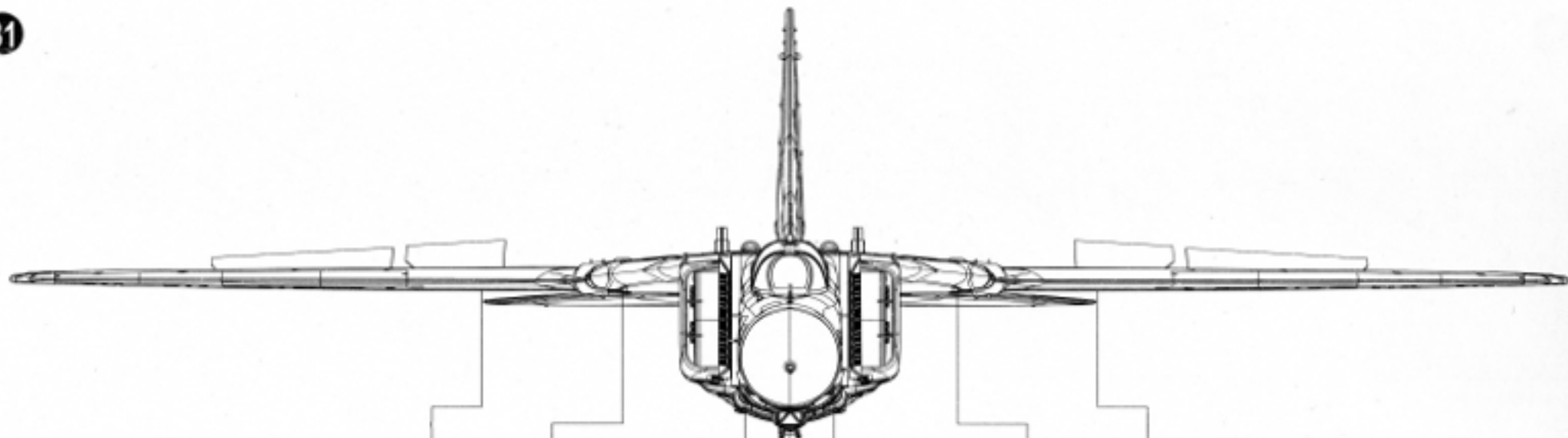


H 318 318
白色
White Insignia

(Drop Tank)



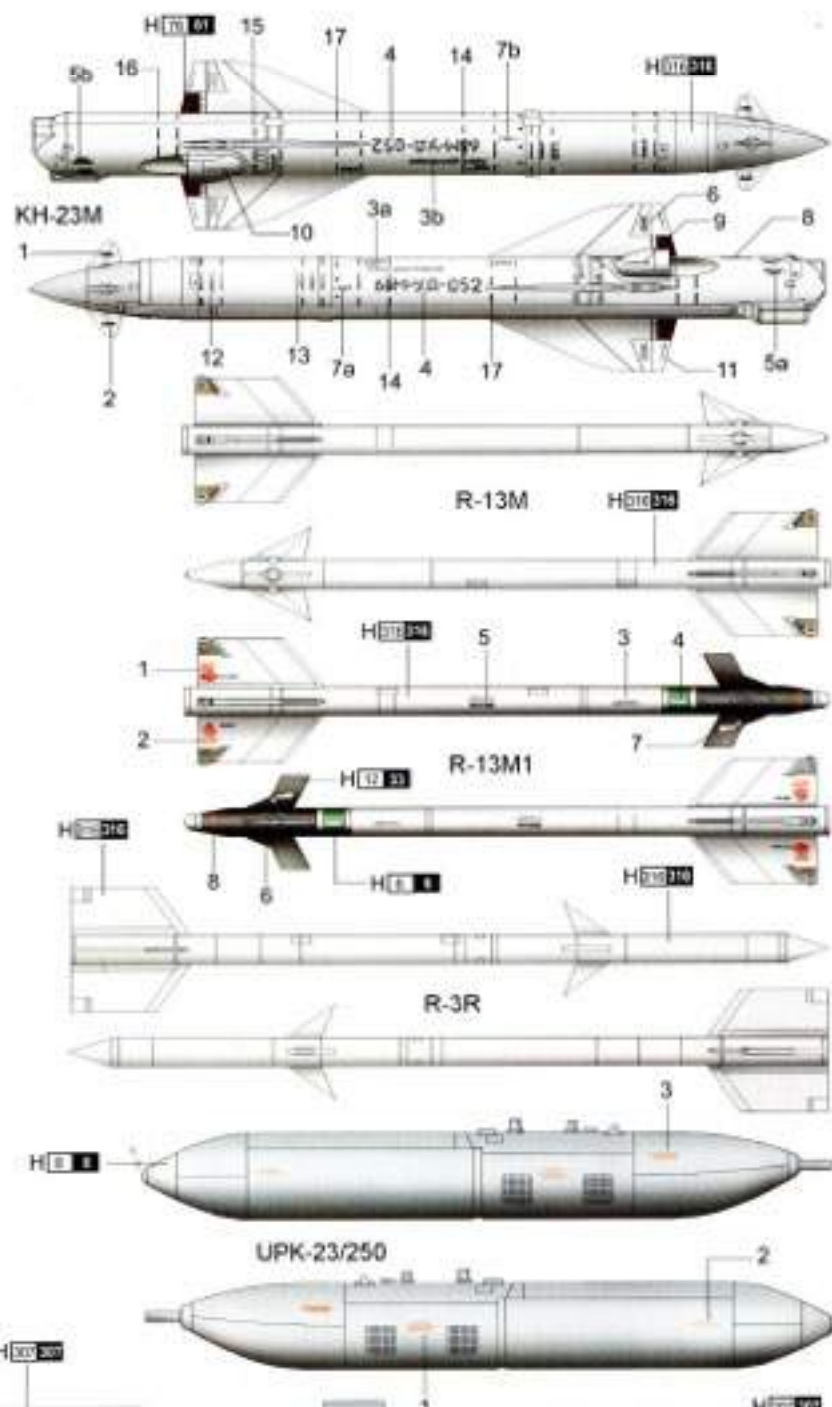
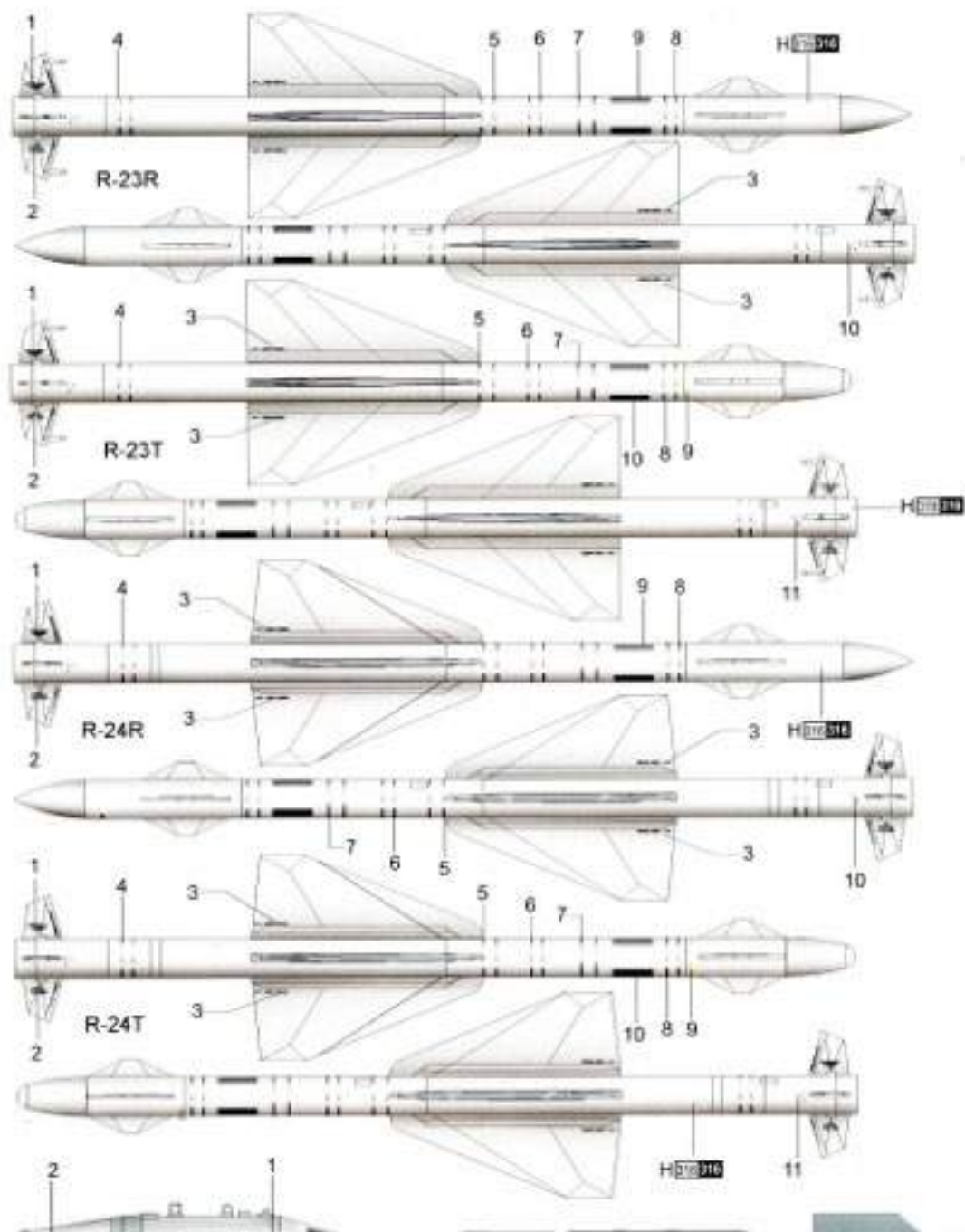
制作两组
Make two



Sta.No.	1	2	3	4	5	6	7
Missile/Tank							
R-23R		●				●	
R-23T		●				●	
R-24R		●				●	
R-24T		●				●	
UB-32M		●				●	
UPK-23		●				●	
RB-250		●	●		●	●	
RBK-250		●	●		●	●	
RBK-500		●	●		●	●	
B-8M1		●				●	
R-13M			● ●		● ●		
R-13M1			● ●		● ●		
R-3R			● ●		● ●		
KH-23M		●				●	
S-24B		●	●		●	●	
R-60			● ●		● ●		
PTB-800				●			
Drop Tank	●						●

涂装同标贴指示

Painting & Marking guide





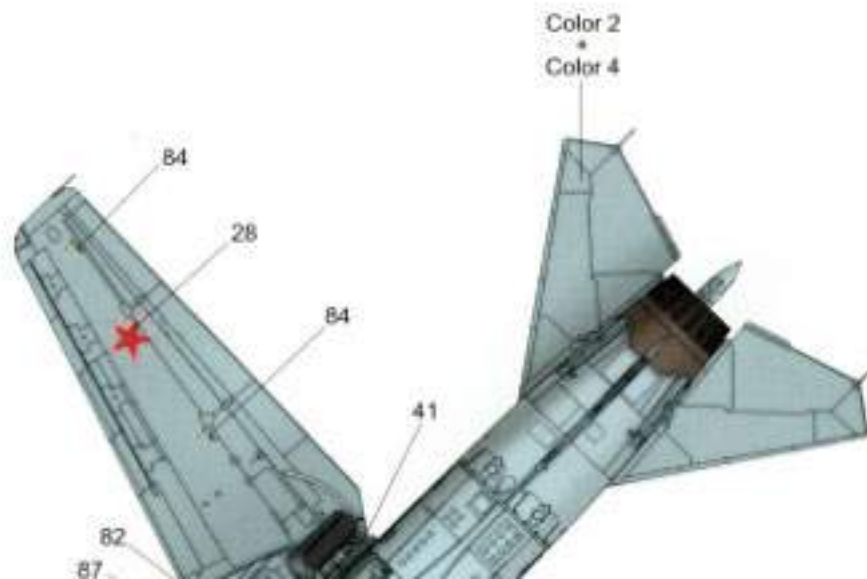
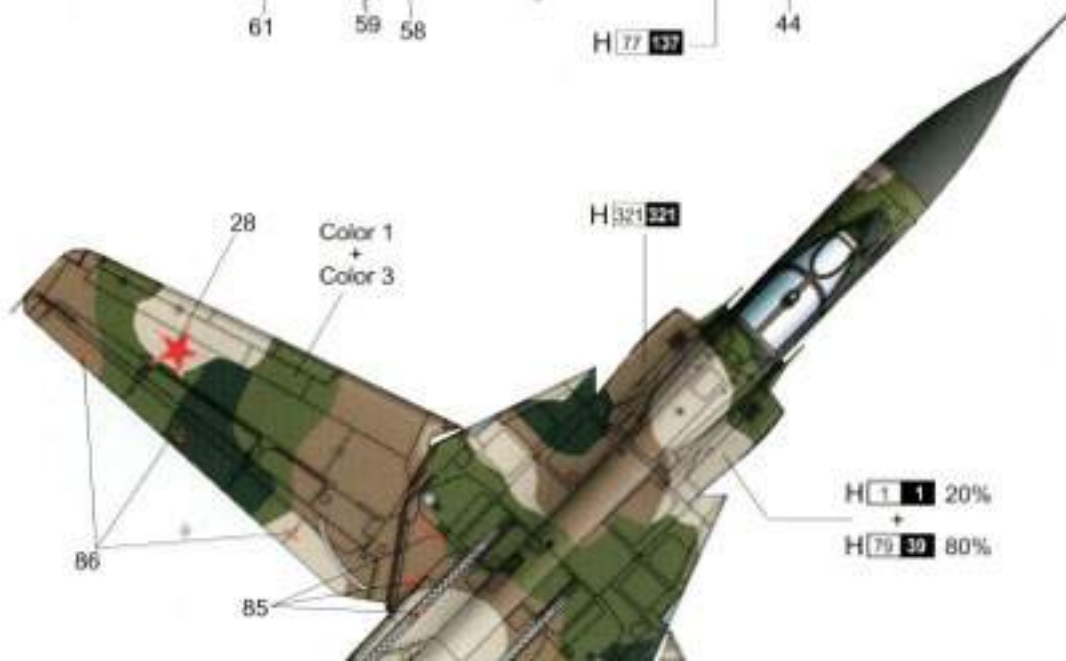
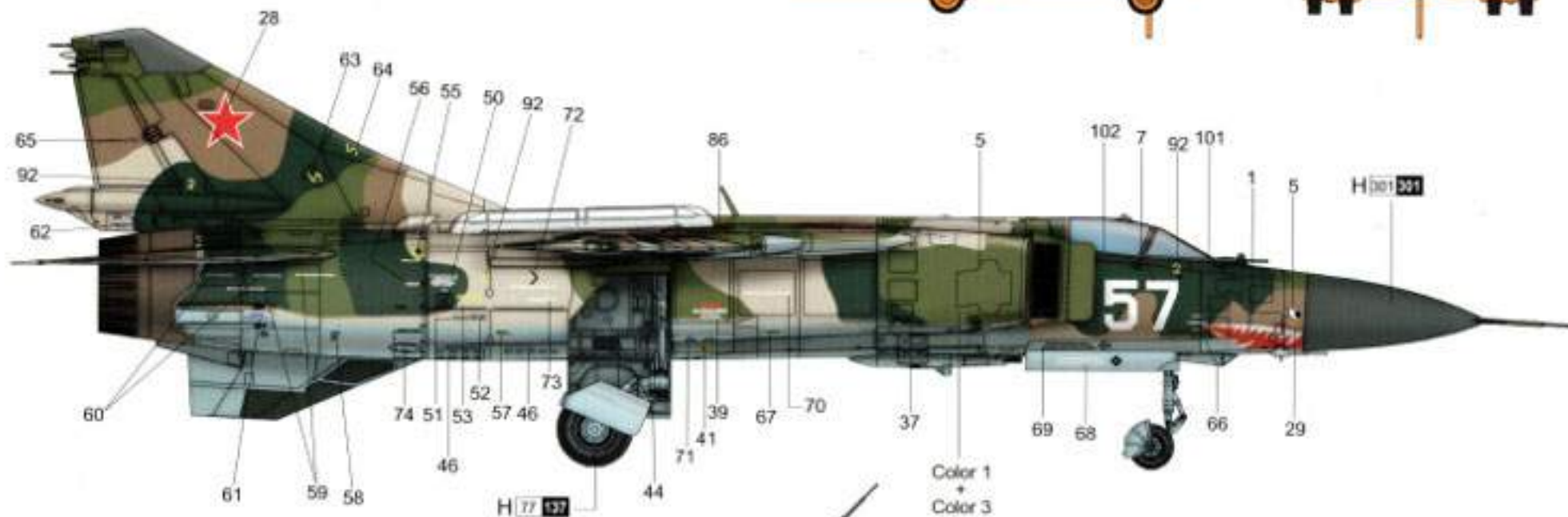
H [] AQUEOUS HOBBY COLOR

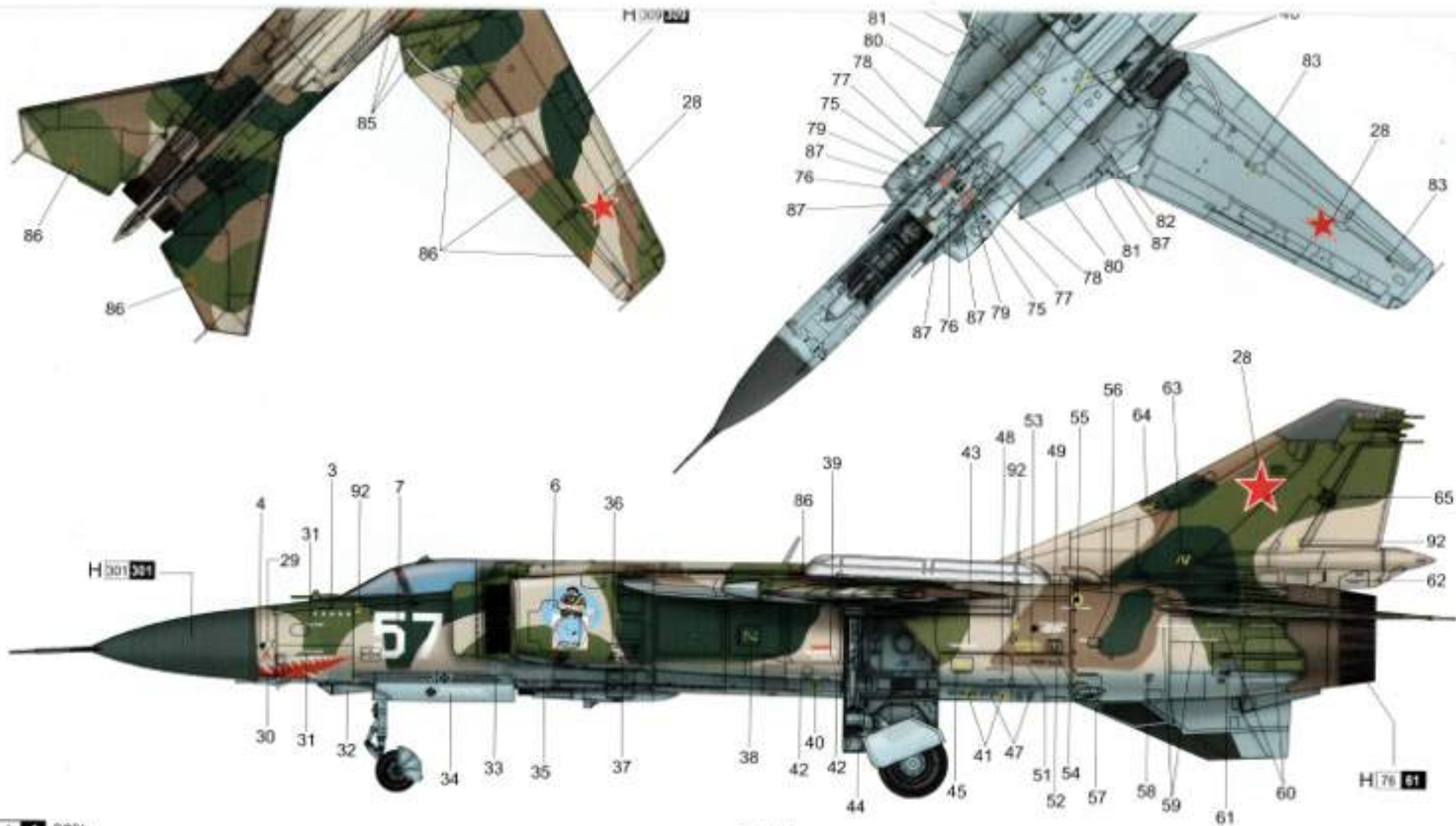
[] Mr. COLOR

Color	Mr.Hobby	Vallejo	Model Master	Tamiya	Humbrol	Color	Mr.Hobby	Vallejo	Model Master	Tamiya	Humbrol
白色 White Insignia	H [316 316]	991	1745	X2	22	暗绿色 (2) Olive Drab(2)	H [78 38]	-	-	-	-
银色 Silver	H [8 8]	997	1546	X11	11	灰色 Grey	H [307 307]	-	1741	XF22	128
消光黑 Flat black	H [12 33]	950	1749	XF1	33	烧铁色 Burnt Iron	H [76 61]	990	1728	XF19	127
绿色 Green	H [6 6]	969	2716	X5	3	灰蓝色 Gray Blue	H [337 337]	863	1795	X10	53
								-	1721	XF20	145

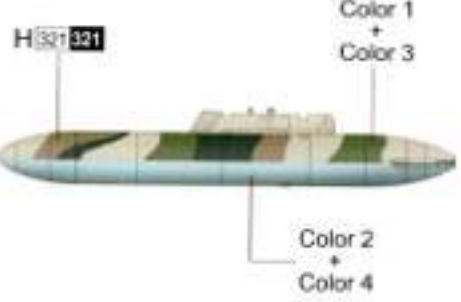
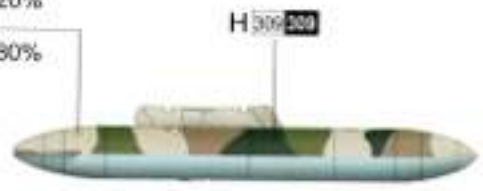
涂装同标贴指示 Painting & Marking guide

A MIG-23MLD Flogger-K, 2nd Sqn of 120th FR, September 1989.

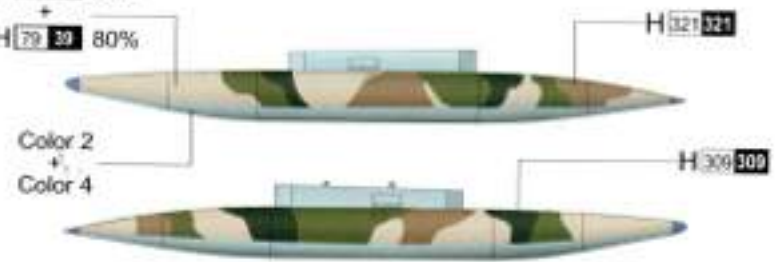




H 1 1 20%
+
H 79 39 80%



H 1 1 20%
+
H 79 39 80%



H AQUEOUS HOBBY COLOR ■ Mr. COLOR

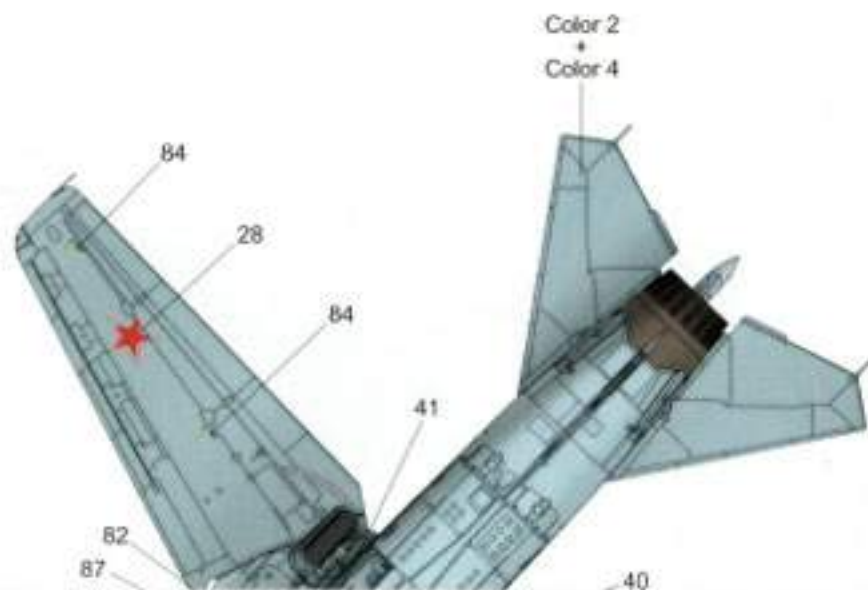
03211 1/32 MiG-23MLD Flogger-K (A)

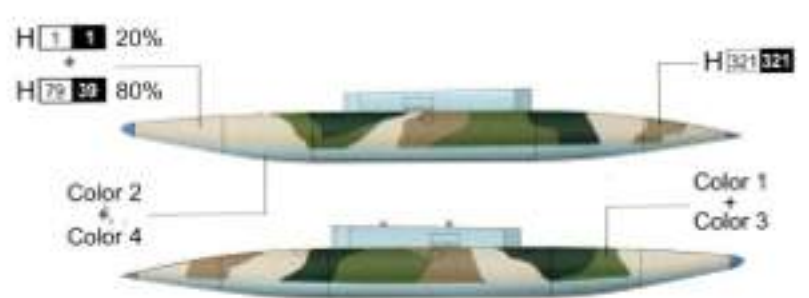
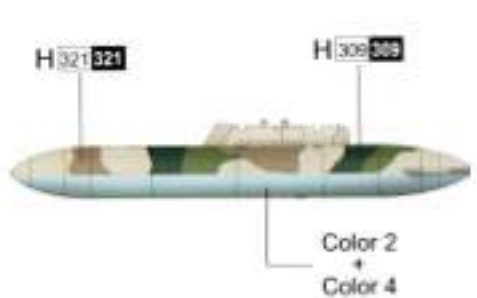
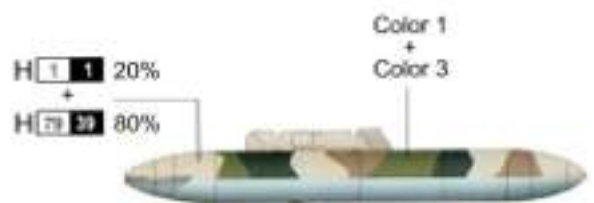
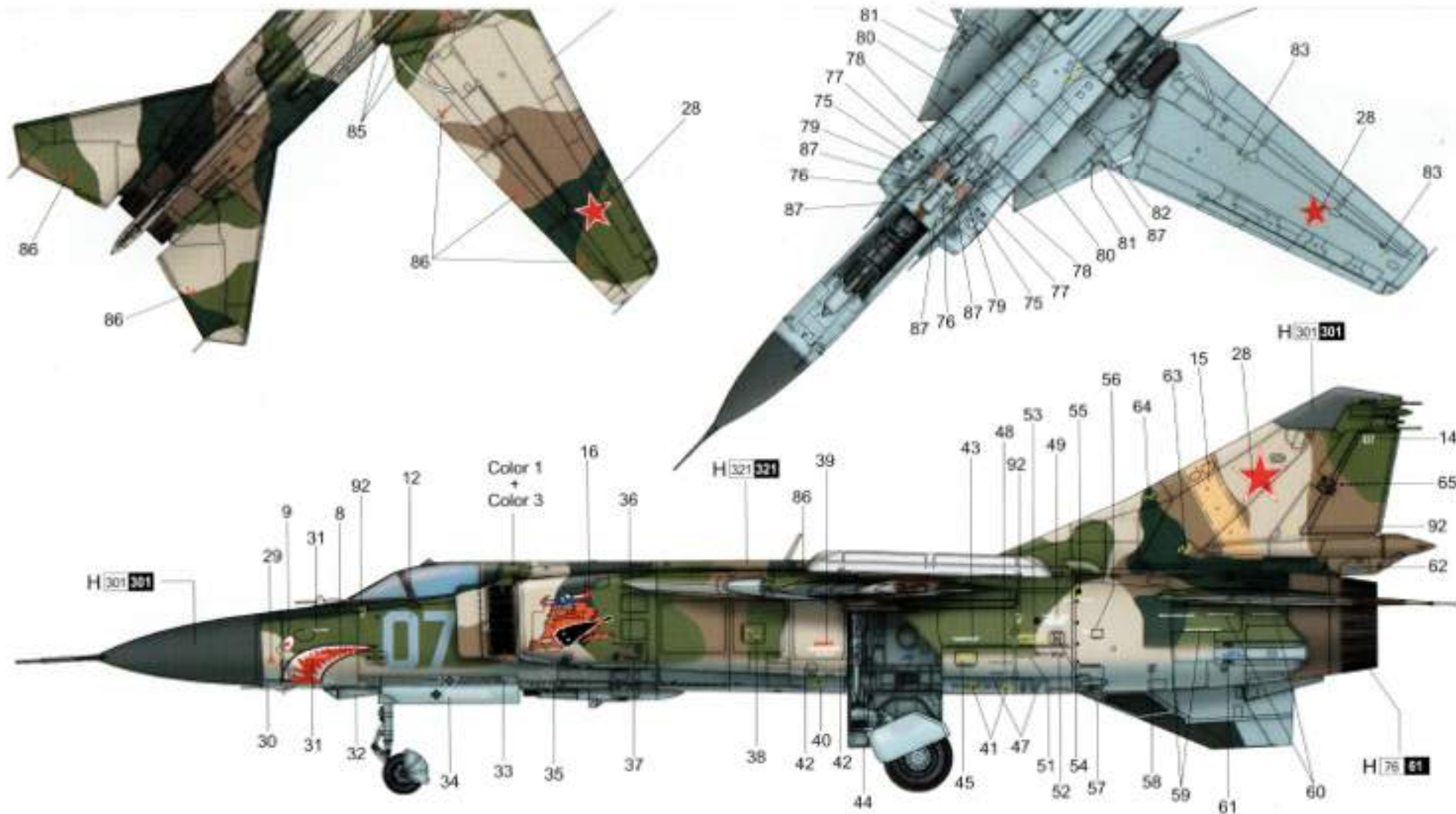
涂装同标贴指示 Painting & Marking guide

B MIG-23MLD Flogger-K, Blue 7, 1990.

PAINT REFERENCE COLOUR					
Color	Mr.Hobby	Vallejo	Model Master	Tamiya	Humbrol
1 绿色 Matte Copper Green	—	—	1716	—	76
2 浅蓝色 Light Blue	—	901	1562	—	89
3 绿色 Interior Green	H 68 27	—	1715	—	151
4 灰色 Light Grey	H 338 338	—	1732	—	147
5 灰绿色 Grey Light Brown	H 321 321	929	—	—	—
6 灰色 Grey	H 301 301	866	—	XF24	—

PAINT REFERENCE COLOUR					
Color	Mr.Hobby	Vallejo	Model Master	Tamiya	Humbrol
7 铁锈色 Burnt Iron	H 76 61	853	1795	X10	53
8 沙黄色 Sandy Brown	H 79 39	824	—	XF59	93
9 黑色 Tire black	H 77 137	897	—	XF11	—
10 白色 White	H 1 1	842	1745	X2	22
11 绿色 Green	H 309 309	893	1710	XF58	116
12 橙黄色 Orange Yellow	H 24 58	—	—	—	—





H[] AQUEOUS HOBBY COLOR ■ Mr. COLOR

03211 1/32 MiG-23MLD Flogger-K (B)