

# F6F-5N Hellcat Night Fighter

**1:32 SCALE**

**F6F-5N 地狱猫夜间战斗机**

## READ BEFORE ASSEMBLY:

- This kit is not recommended for inexperienced modelers or for children under 14 years of age
- Study and understand these instructions thoroughly before beginning assembly
- When needed, remove photo-etch parts carefully using a modeling knife or photo etch sprue cutter, being careful not to damage or lose small parts.
- Take extra care in handling photo etch parts in order to avoid injury
- Apply instant cement sparingly to photo etch parts where instructed

- Tools recommended(not included in kit):Plastic and instant cements,sprue cutters,long nose pliers,modeling knife, small files, tweezers, pin vise & scissors. Soft cloth and sandpaper will also assist in construction
- Glue and paint are not included in the kit. Use plastic cement and hobby paints only. Color guide for purchasing paint is included in the kit.
- Keep out of reach of children. They must not be allowed to ingest small parts or handle plastic bags in any way.

## 装配之前仔细阅读

- 小心用模型锉刀锉平所有零件表面的注射浇口。
- 小心用刀片切下蚀刻片零件，不要遗失小零件。
- 用强力快干胶水粘合蚀刻片零件和金属轴。过量的快干胶水使用可能导致可动零件会粘住，小心涂胶。
- 取蚀刻片时应特别注意安全，防止利边划伤手指。
- 某些零件表面需贴水上贴纸，请选择在装配的同时进行。
- 推荐模型工具(自备)：胶水，水口剪刀，长咀钳，刀片，锉刀，镊子钳，钻，剪刀，瞬间快干胶。
- 软布同砂纸同时也应该是必备工具。
- 请使用塑料胶水和油漆，模型内不含。
- 谨防小孩吸吮塑料零件，或者将塑料袋套在头上，制作时应将套材远离小孩接触。
- 本产品不适合14岁以下没有经验的模型爱好者。

## 水贴纸的使用:

1. 从水贴上剪下印花;
2. 将印花放入温水中浸10秒, 然后放在干净布上.
3. 拿着印花纸板将印花移到模型上;
4. 手指蘸水将印花移到适当的位置;
5. 用软布轻压印花直至水干, 气泡消失.

## DECAL APPLICATION:

1. Cut decals from sheet as needed
2. Dip the decal in warm water for about 10 seconds and then place on soft clean cloth.
3. Hold the decal backing sheet edge and gently slide the decal onto the model in its proper position.

4. While still wet, decal can be adjusted for better fit on model by dampening it gently with your finger.
5. When placed in the proper position, gently press decal down with a soft cloth until excess water and air bubbles are gone.
6. Allow decal to dry completely before handling model



cyanocrylate glue  
使用强力胶



weight  
配重



make hole  
钻孔



cut / remove  
切除



option  
选择



no cement  
不涂胶水



decal  
贴纸



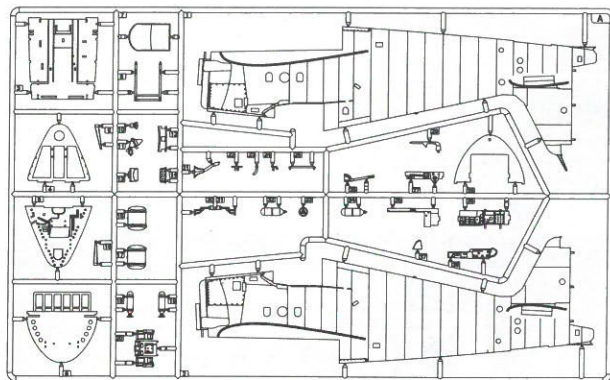
bend  
弯曲



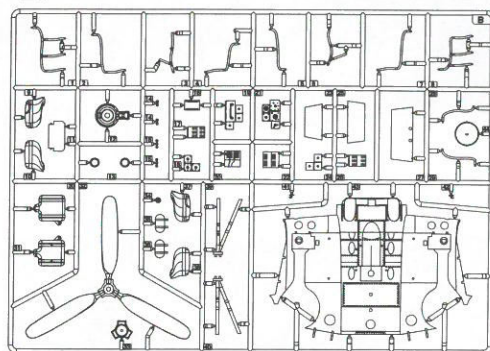
file / sand  
锉平

部品图  
Parts

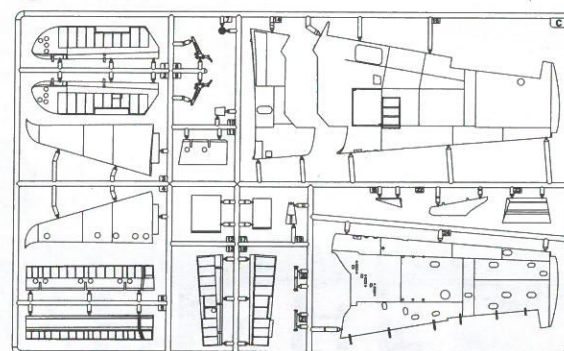
A



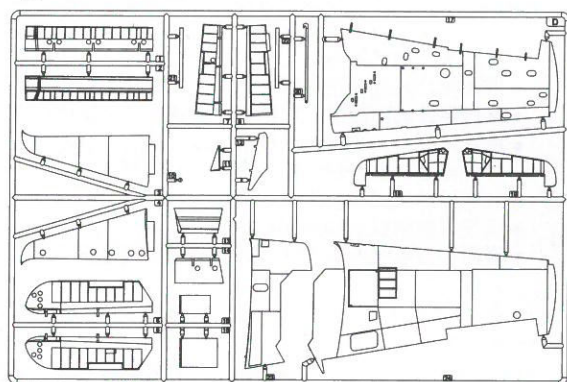
B



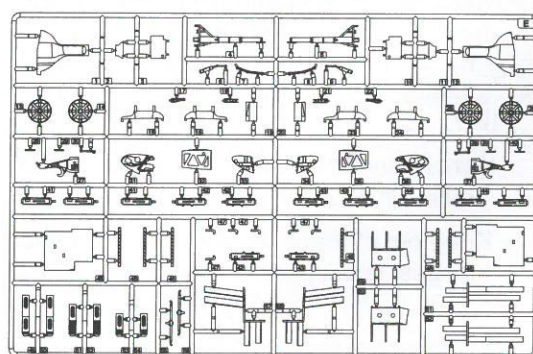
C



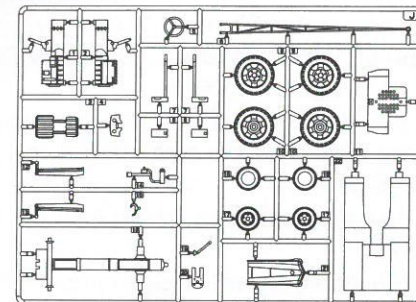
D



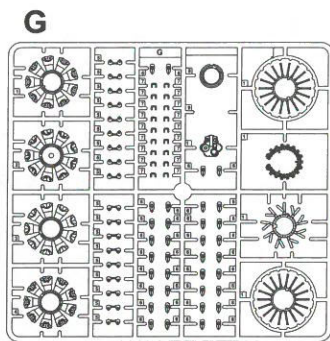
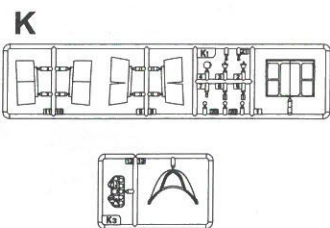
E



J



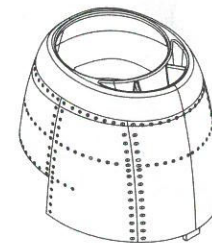
部品图  
Parts



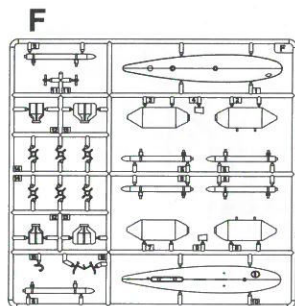
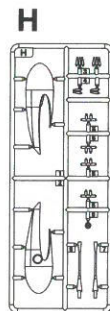
<<主轮胎>> × 2  
Main tyre



<<尾轮胎>>  
Tail tyre



<<引擎罩>>  
Cowling



蚀刻片

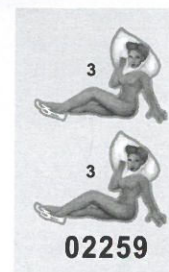
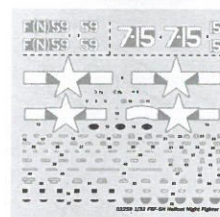
Photo etched parts(PE)

02256 1/32 F6F



© 2007 TRUMPETER

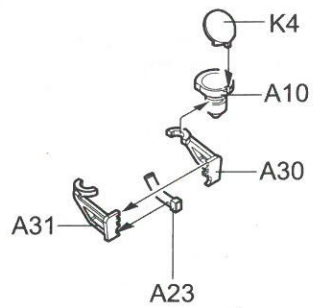
<<水贴>>  
Decal



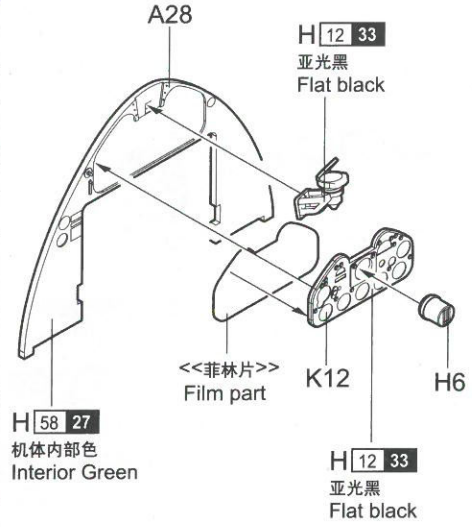
<<菲林片>>  
Film part



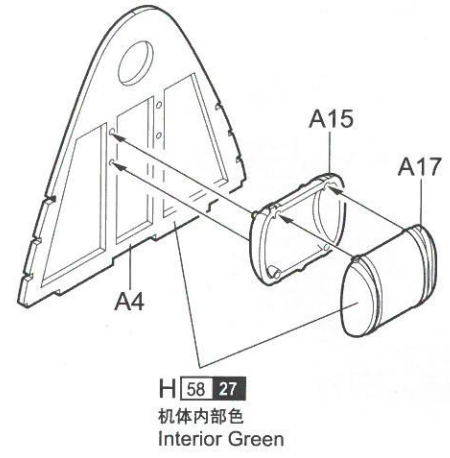
1



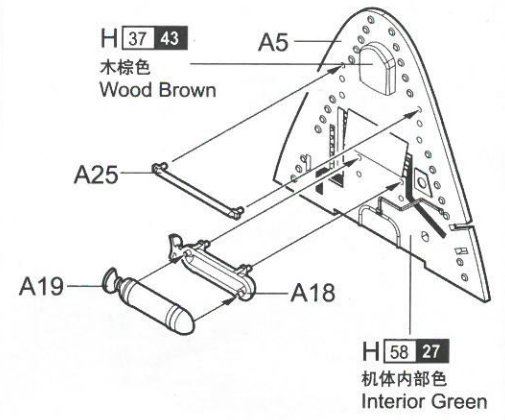
2



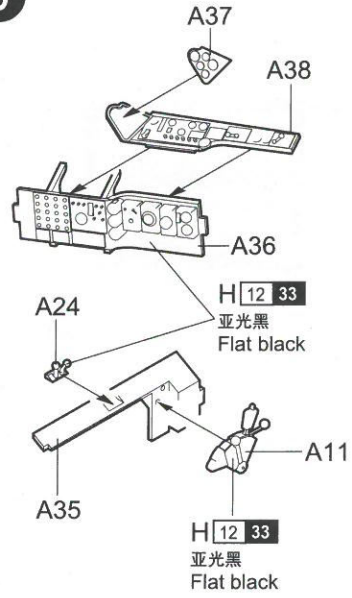
3



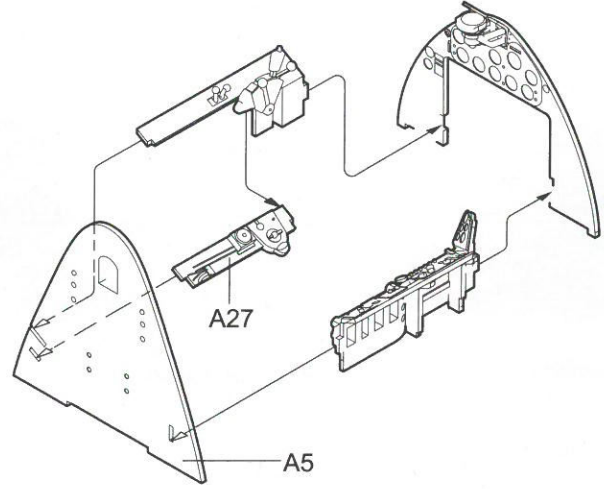
4



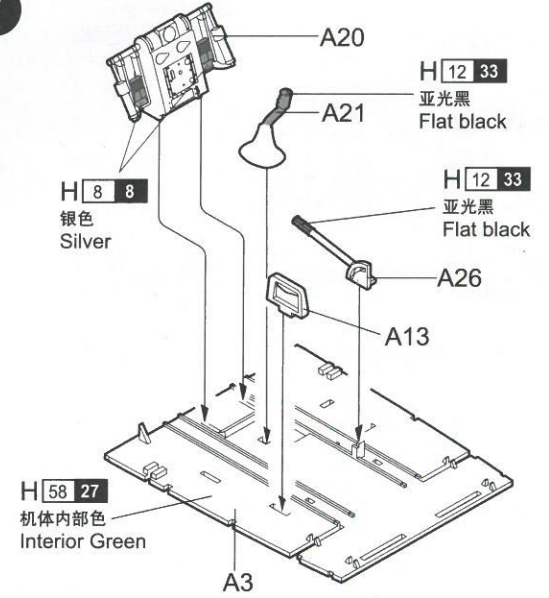
5



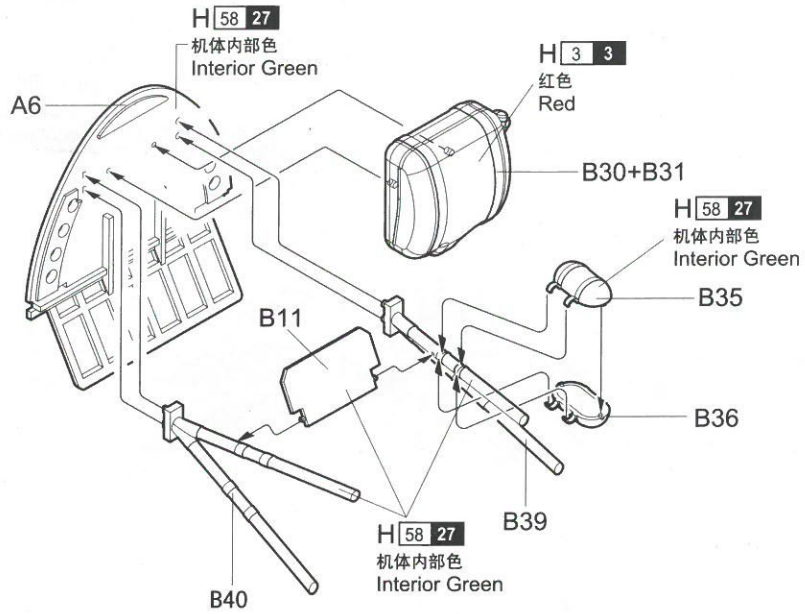
6



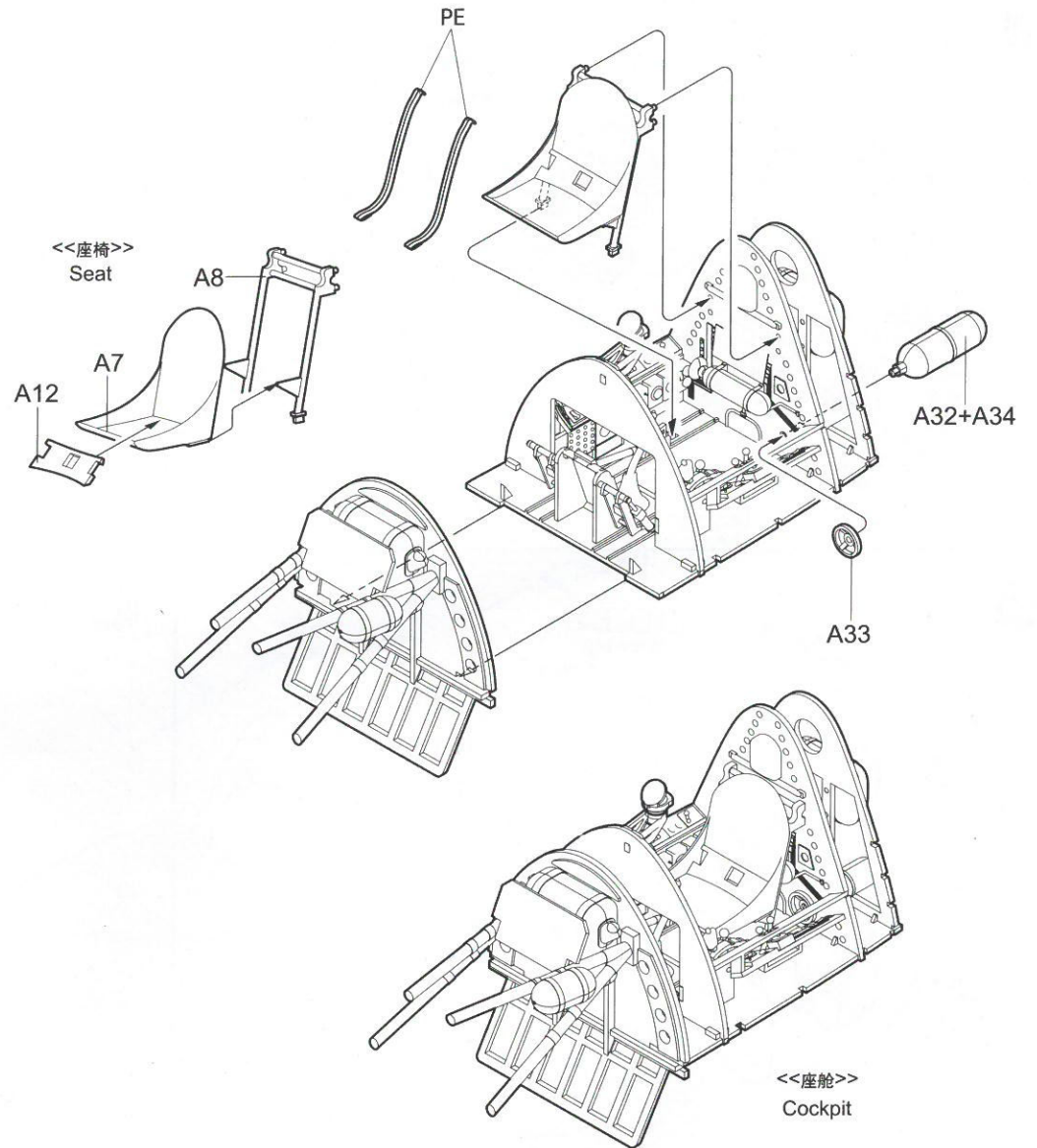
7



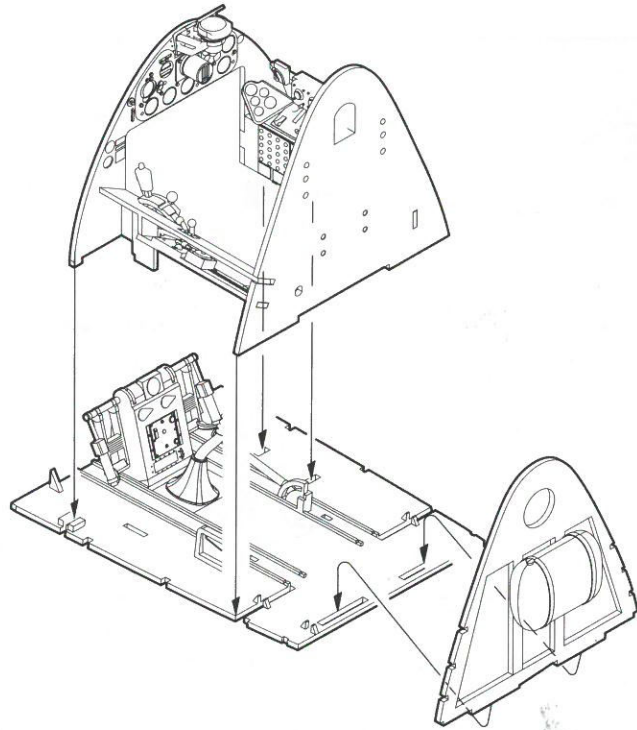
8



10

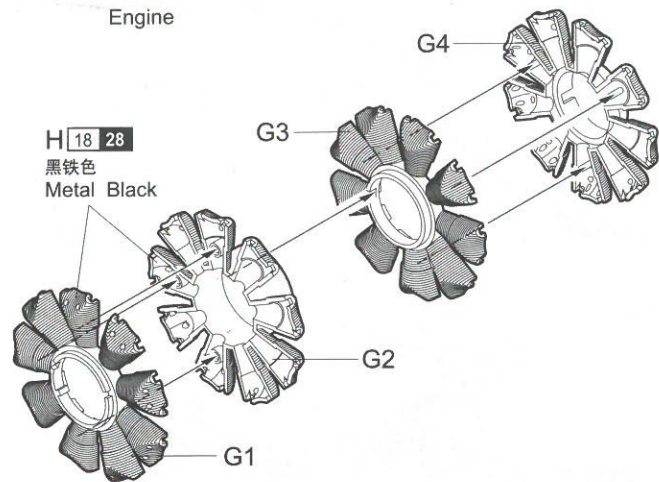


9



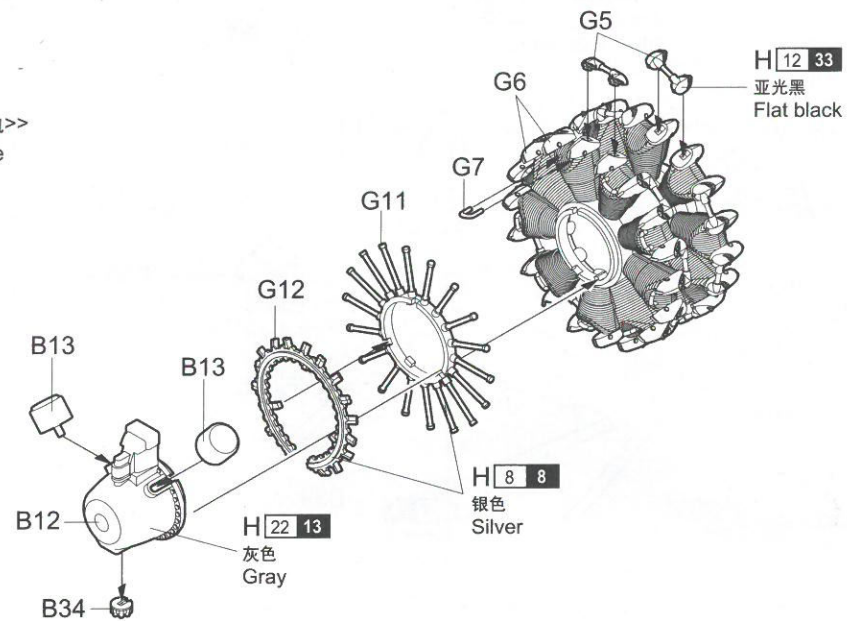
11

<<发动机>>  
Engine



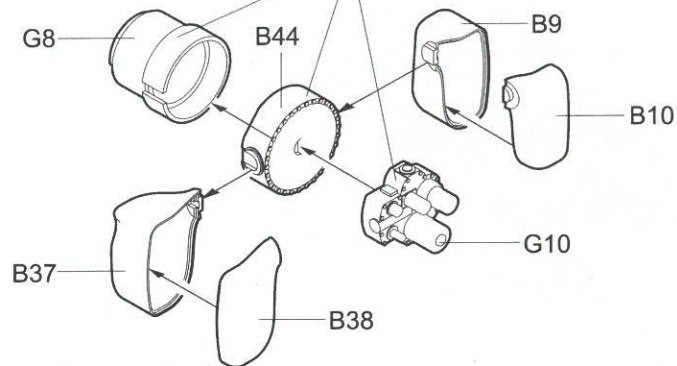
12

<<发动机>>  
Engine



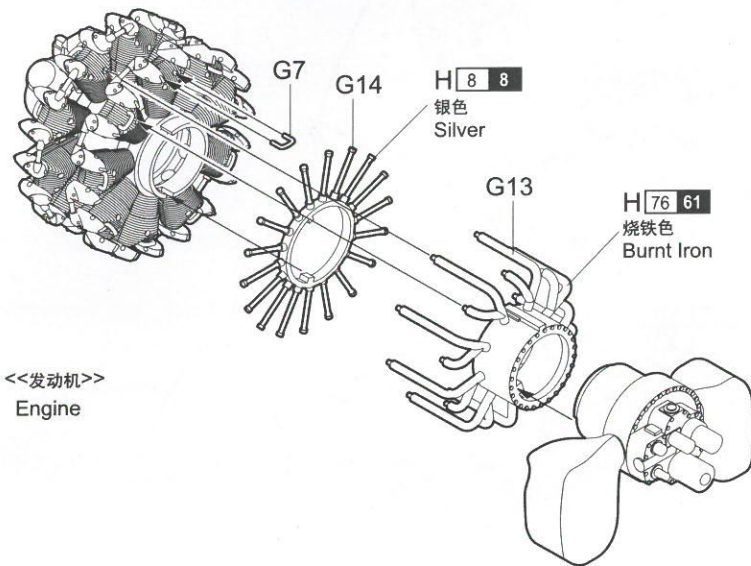
13

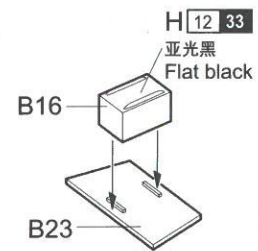
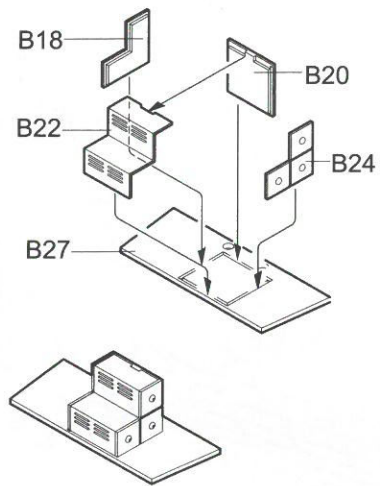
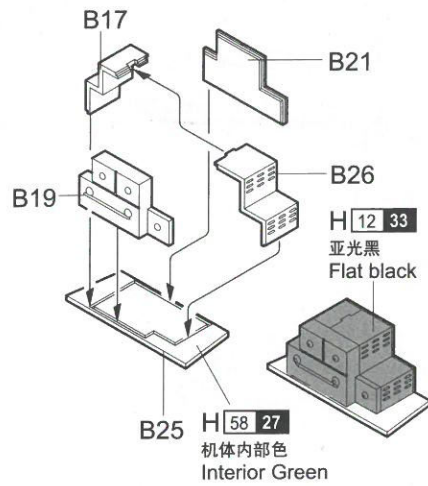
H 58 27  
机体内部色  
Interior Green



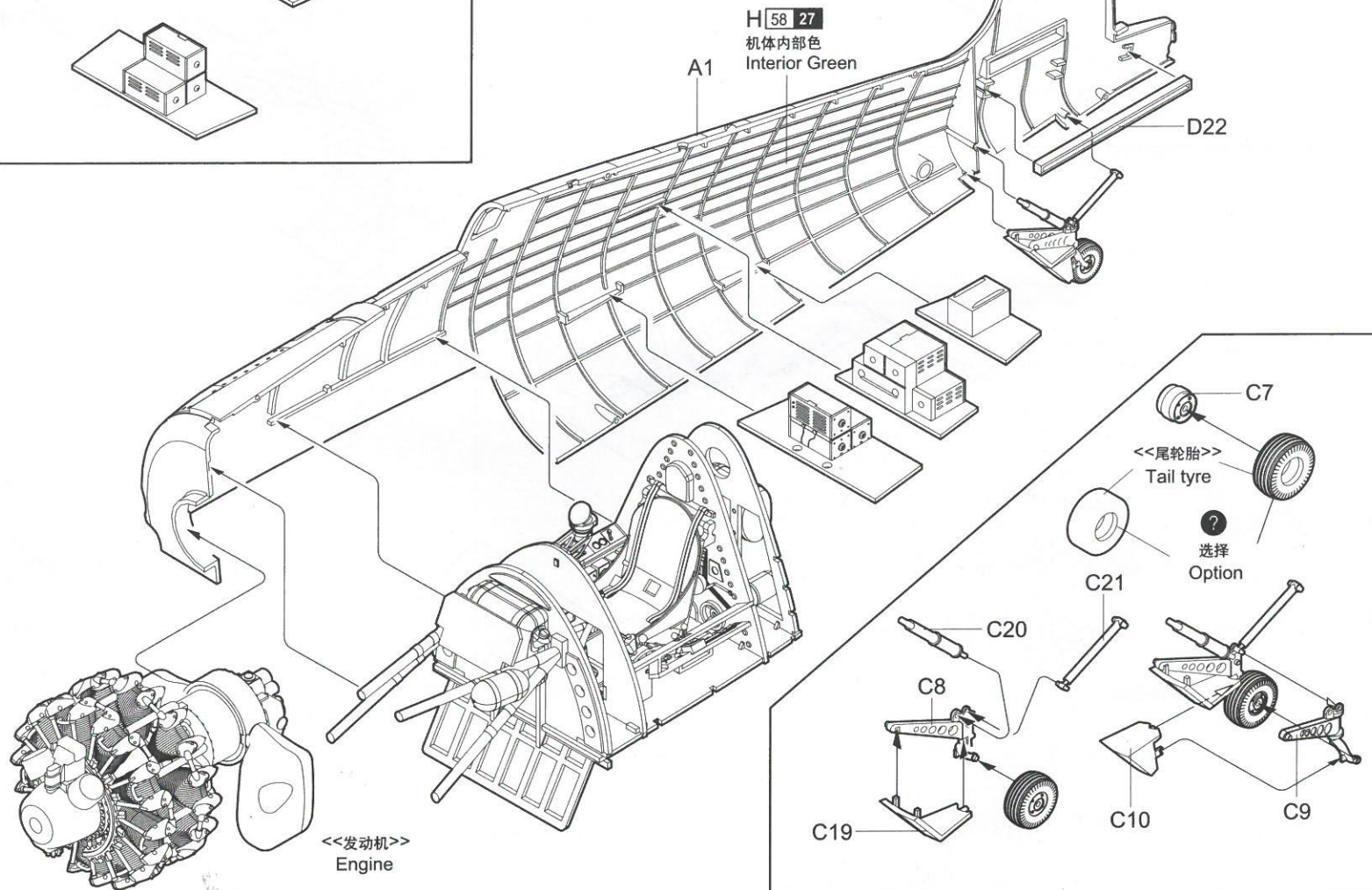
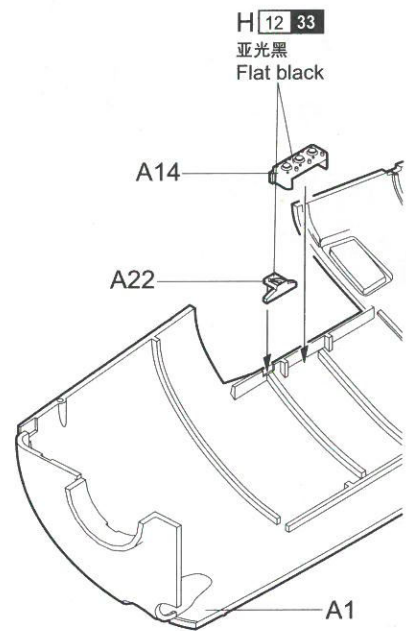
14

<<发动机>>  
Engine

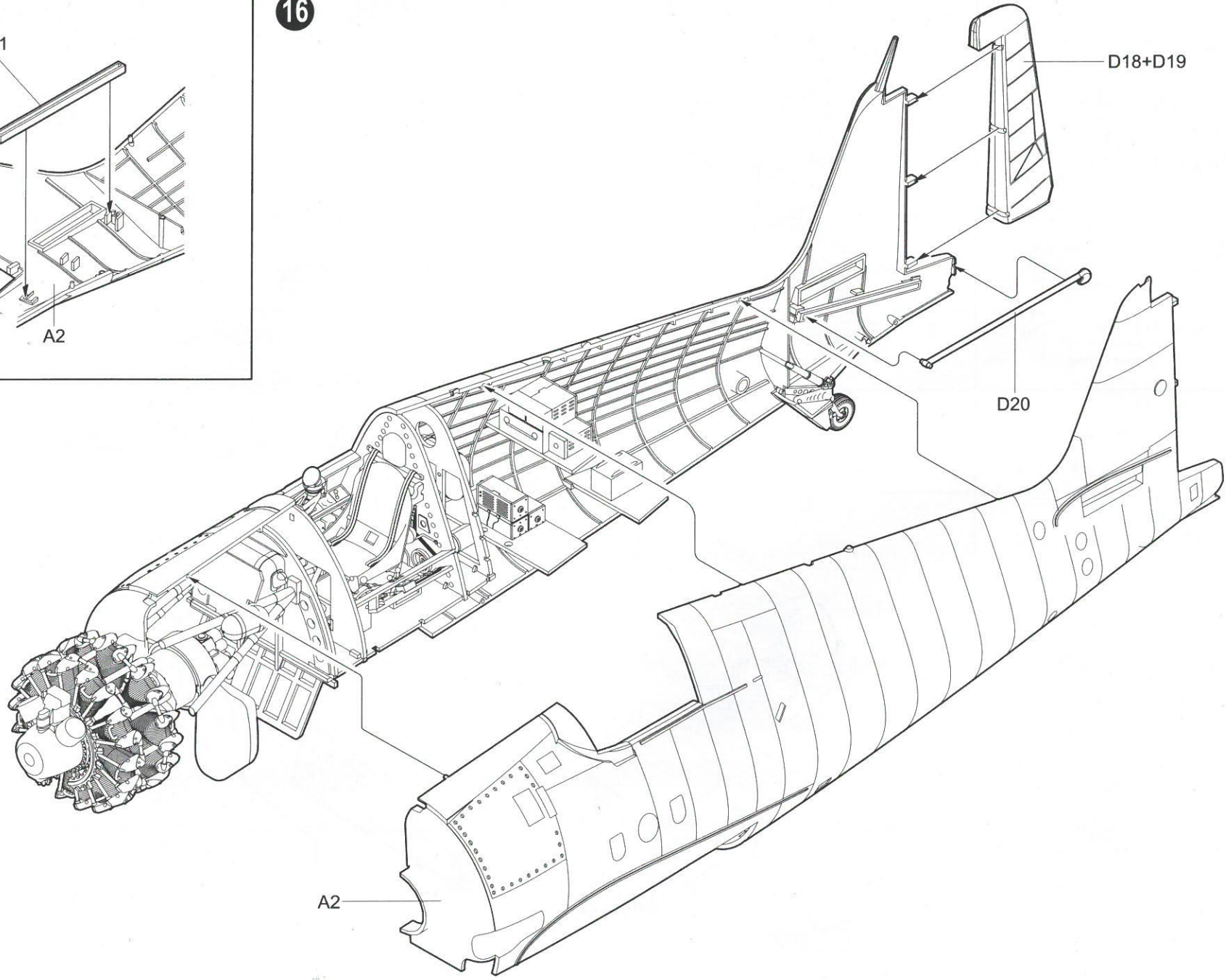
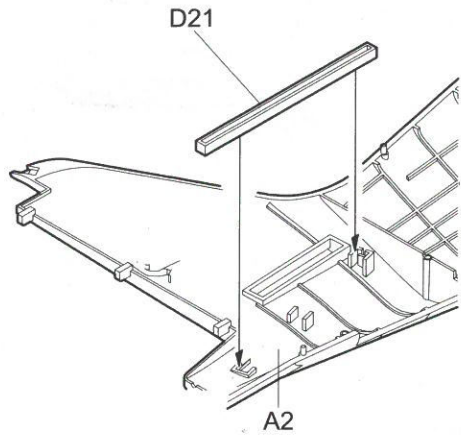




15

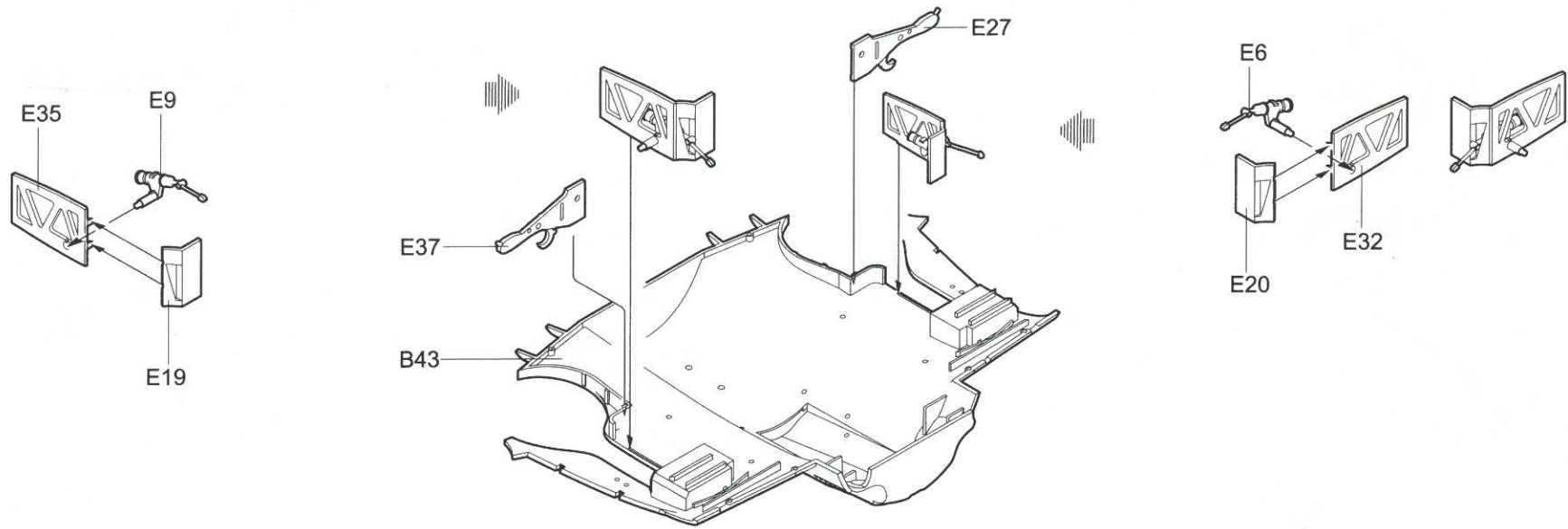


16

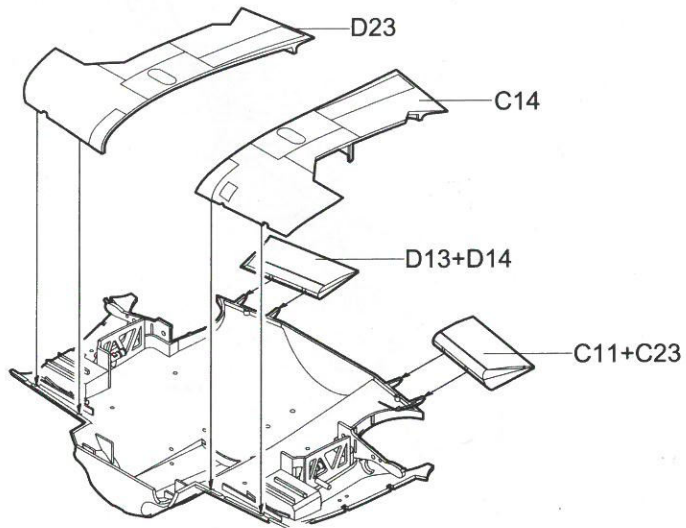




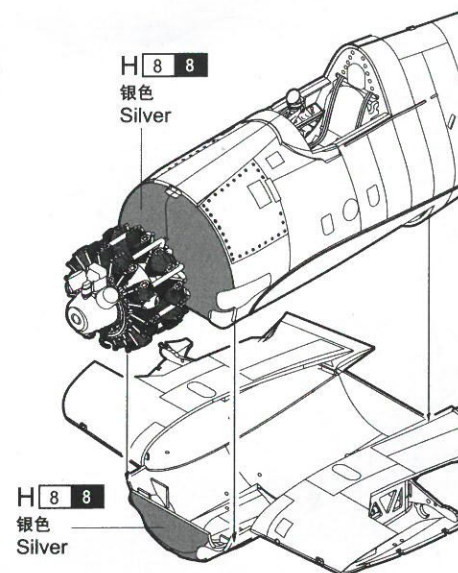
17



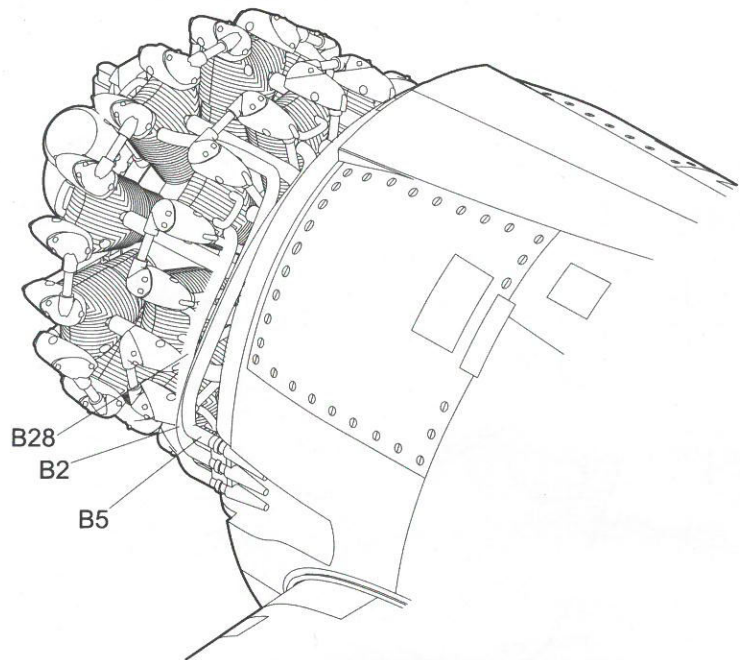
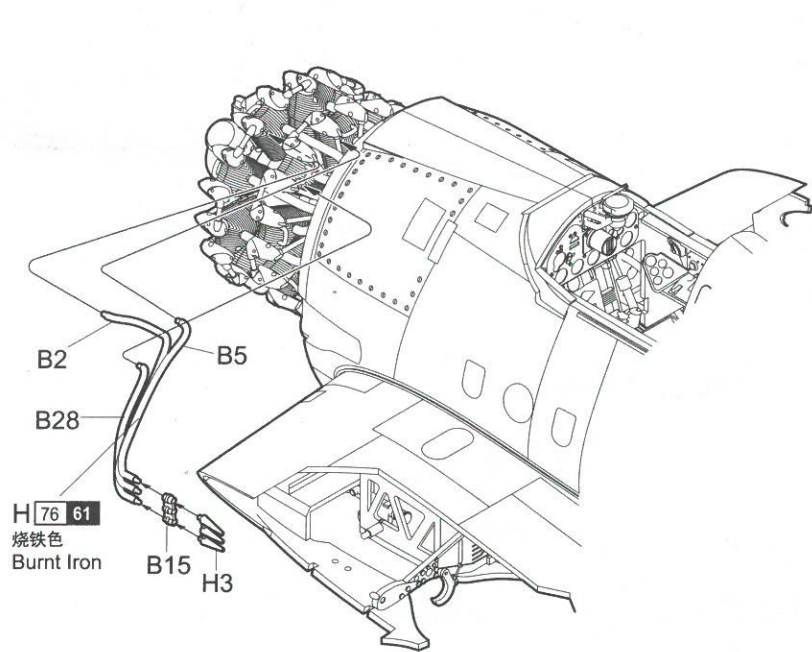
18



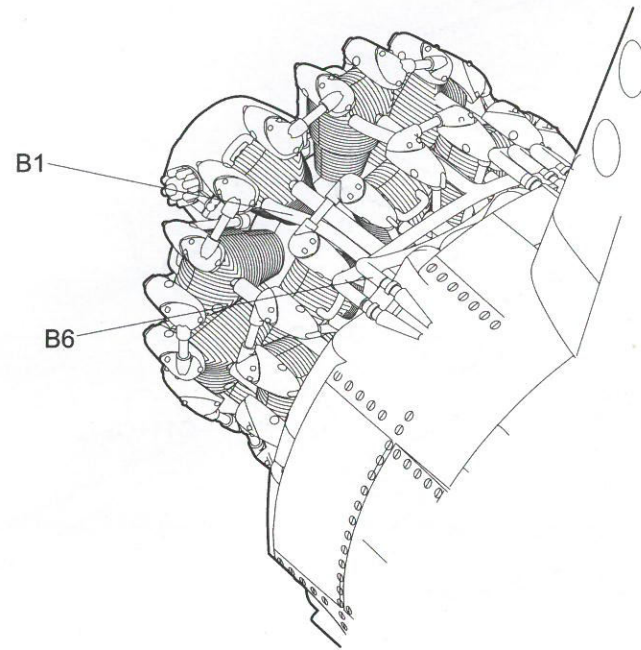
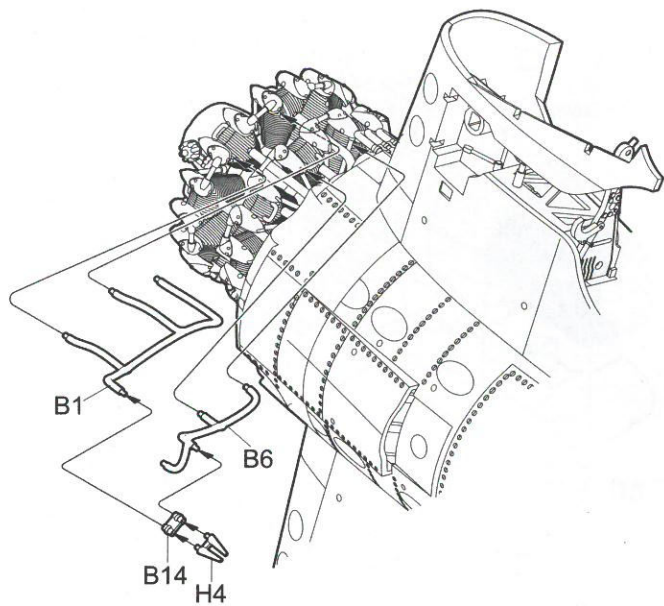
19



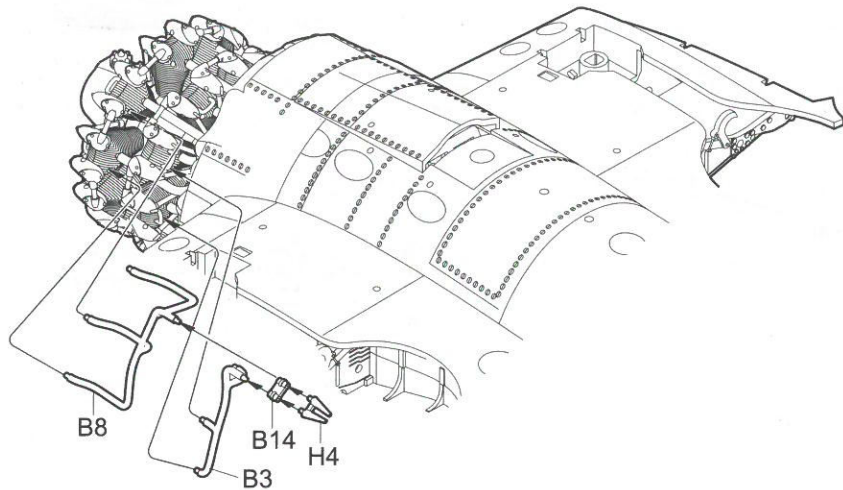
20



21

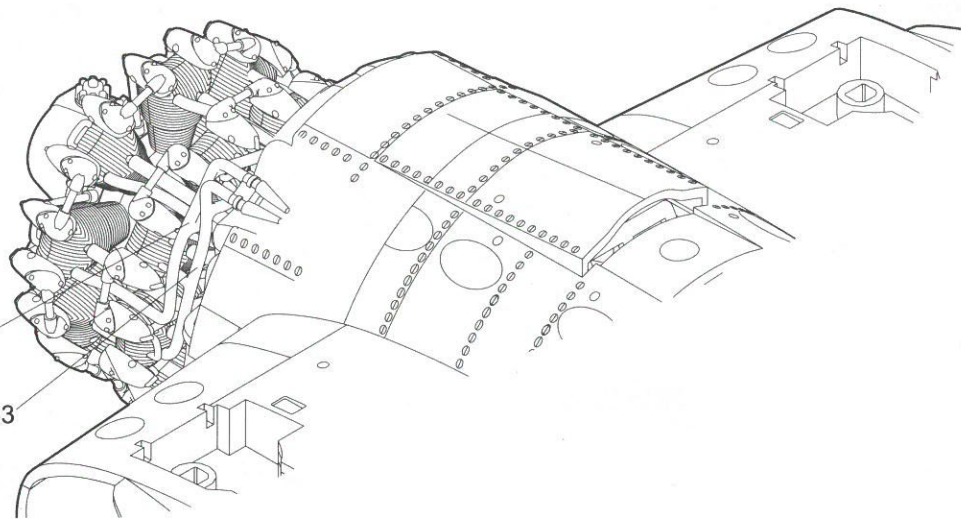


22

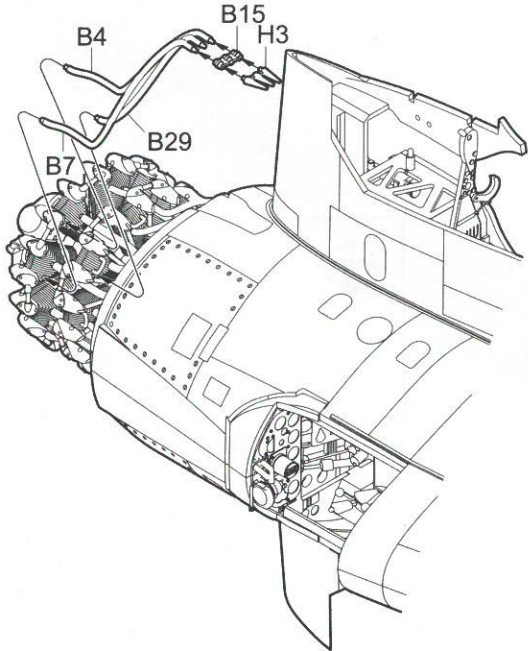


B8

B3



23



B4

B15

H3

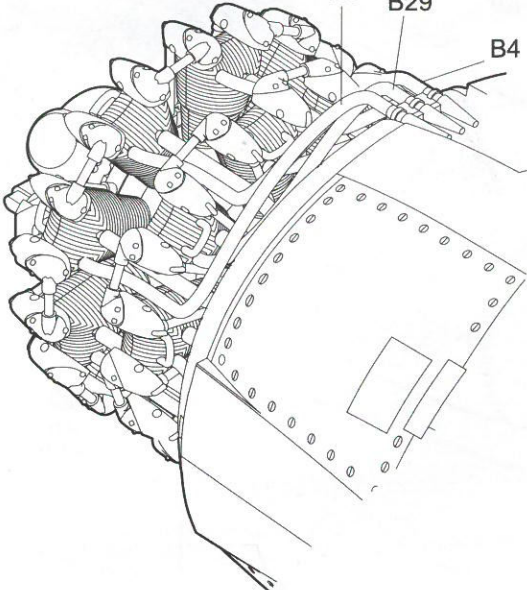
B29

B7

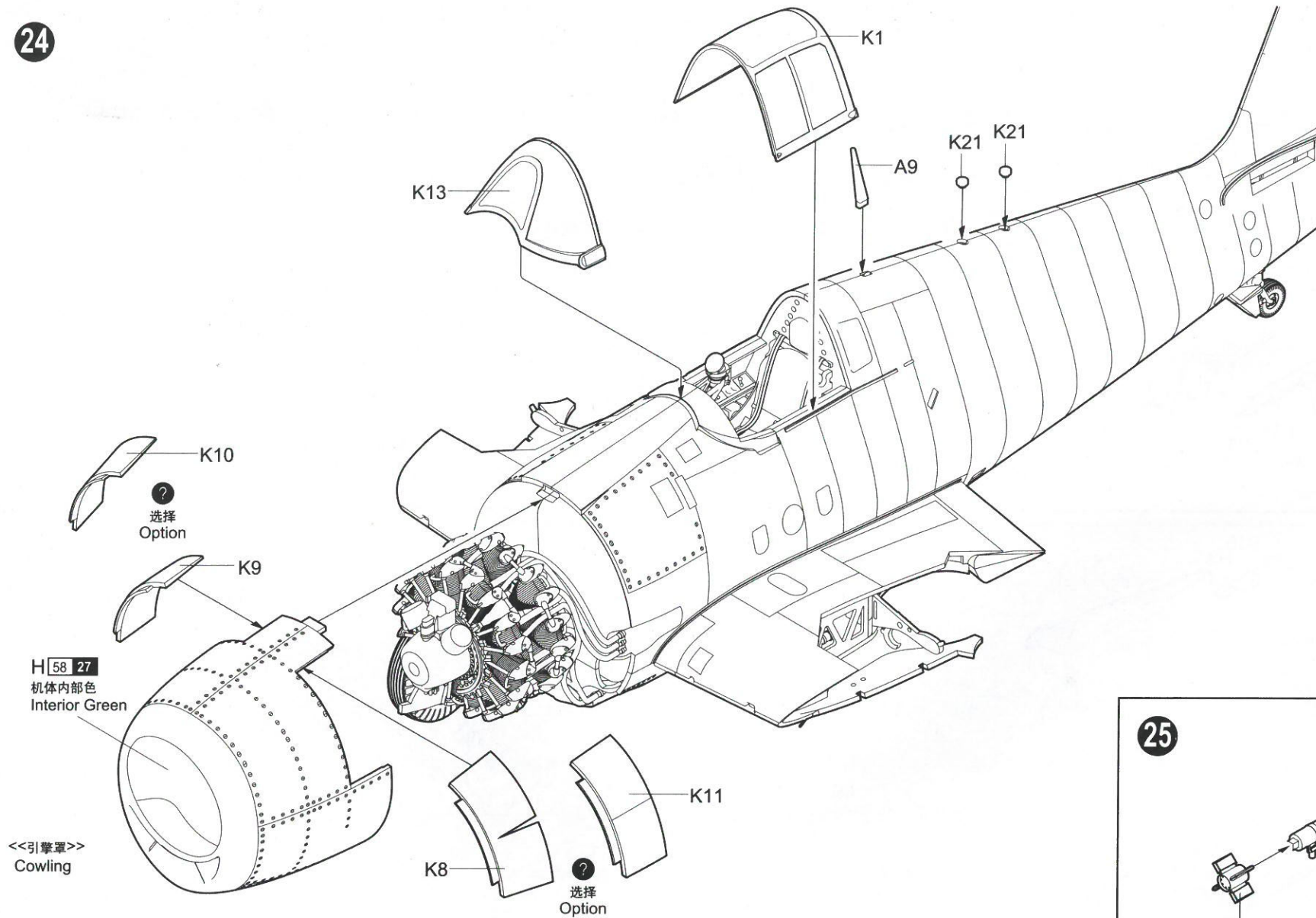
B7

B29

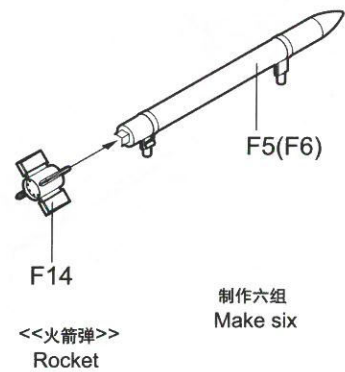
B4



24

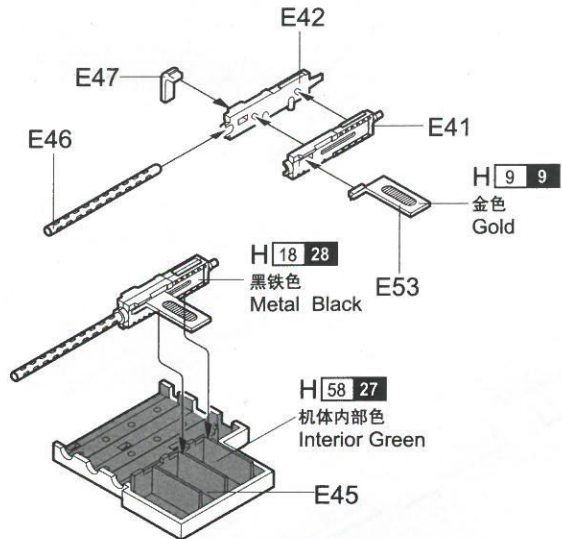


25



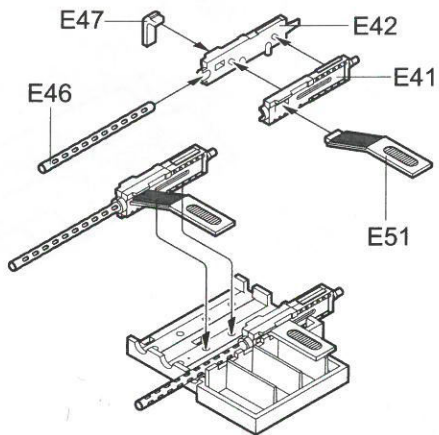
26

<<左侧机枪>>  
Left machine gun



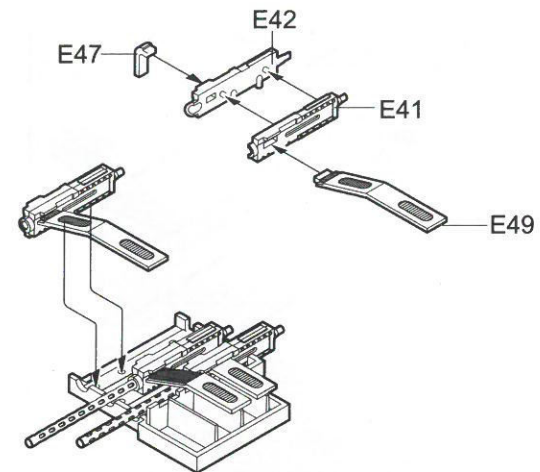
27

<<左侧机枪>>  
Left machine gun



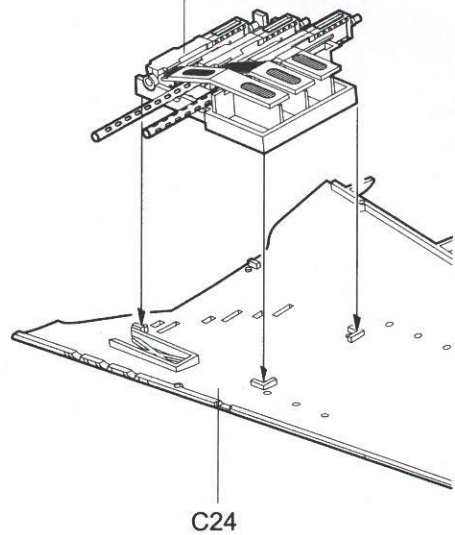
28

<<左侧机枪>>  
Left machine gun

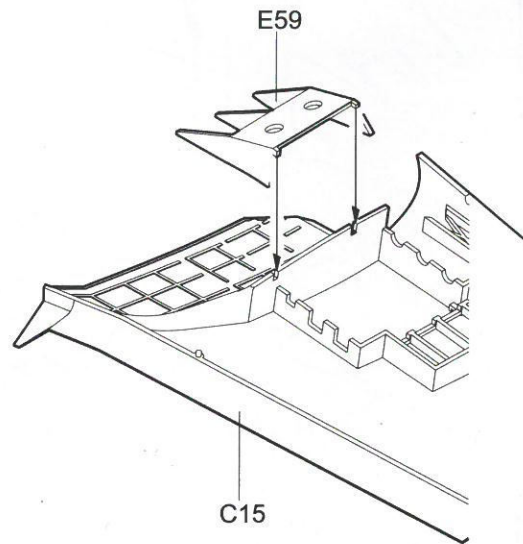


29

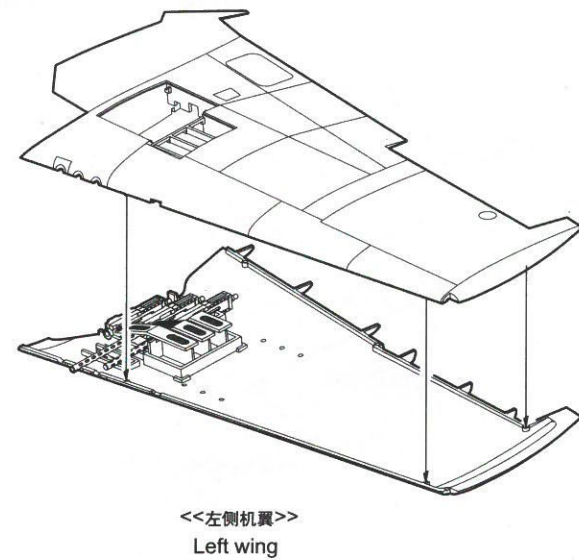
<<左侧机枪>>  
Left machine gun



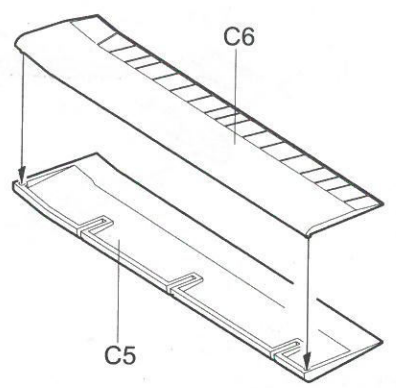
30



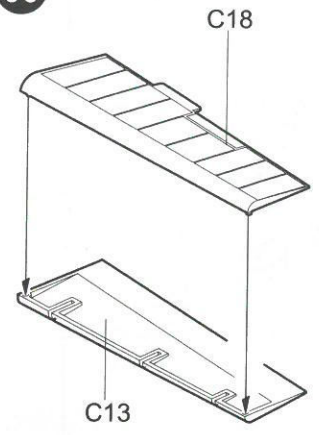
31



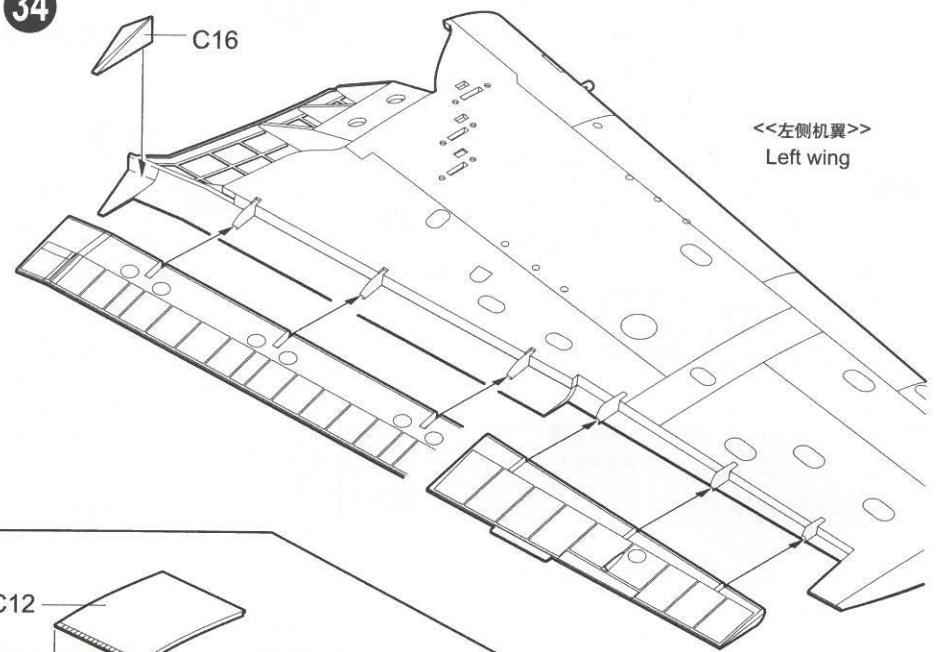
32



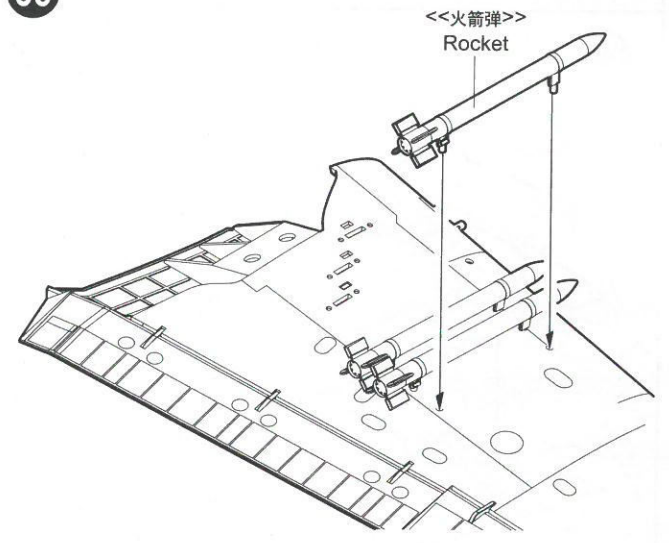
33



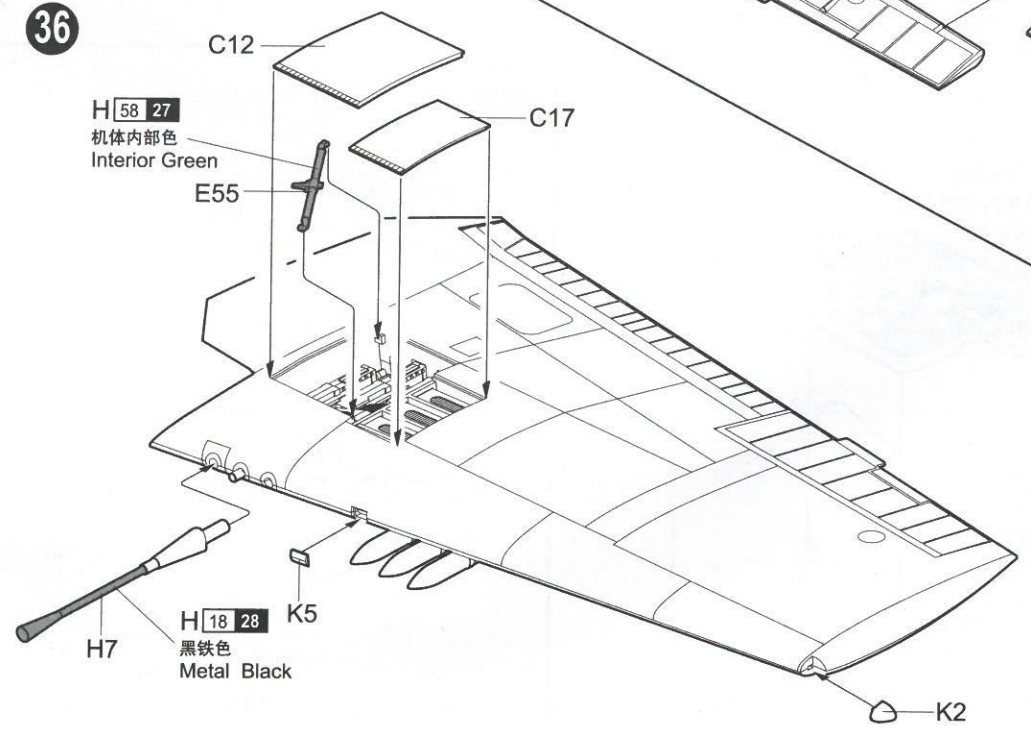
34



35

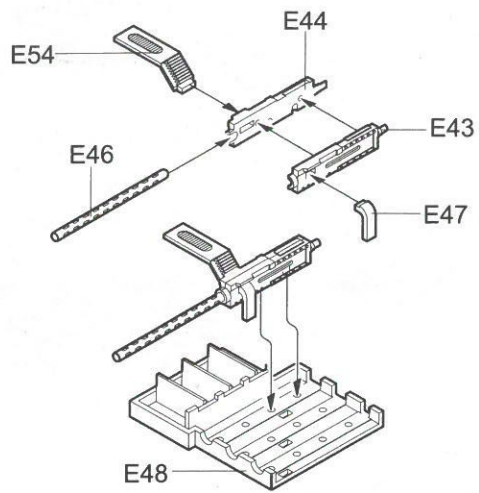


36



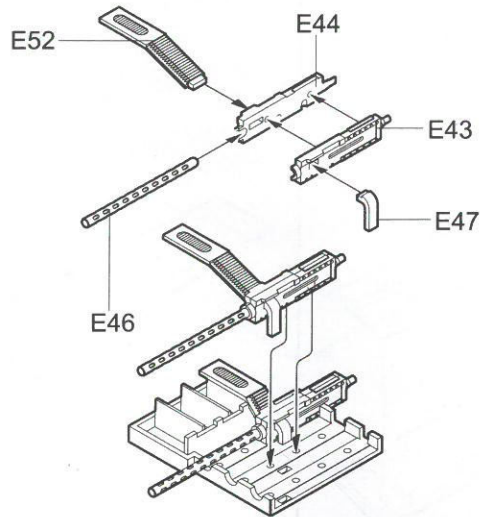
37

<<右侧机枪>>  
Right machine gun



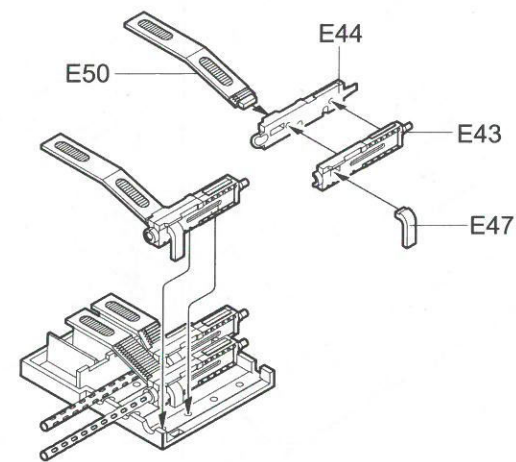
38

<<右侧机枪>>  
Right machine gun



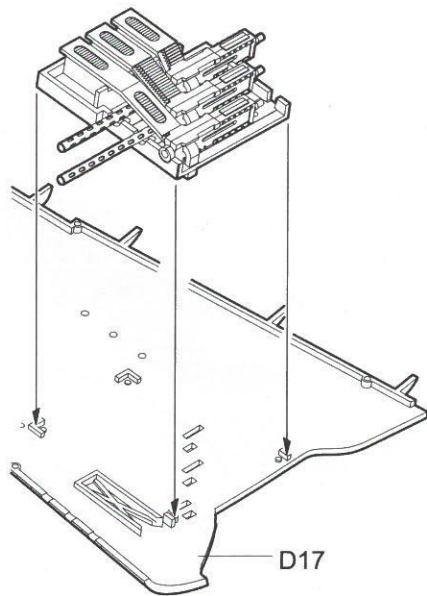
39

<<右侧机枪>>  
Right machine gun



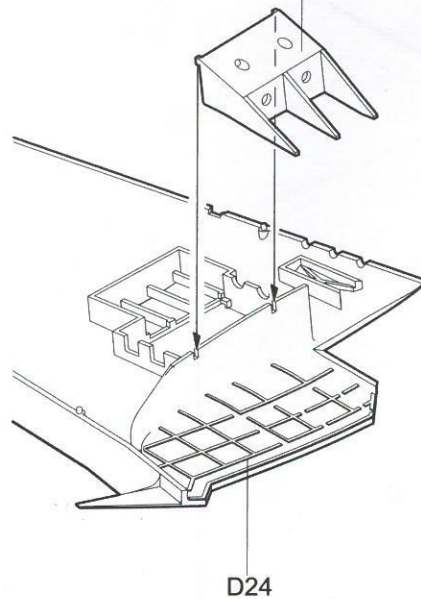
40

<<右侧机翼>>  
Right wing



41

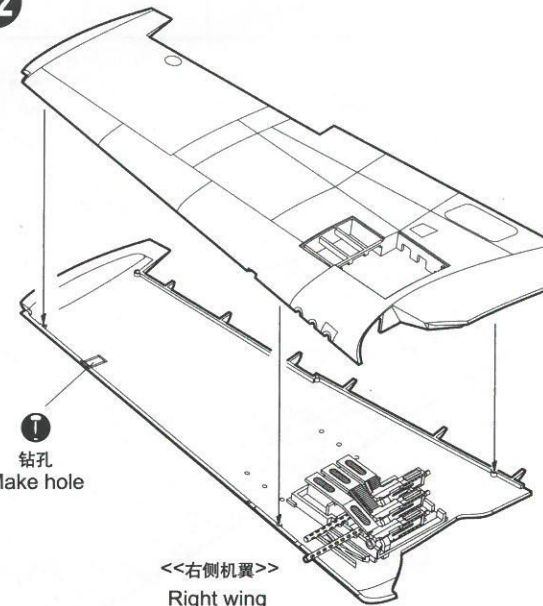
E60



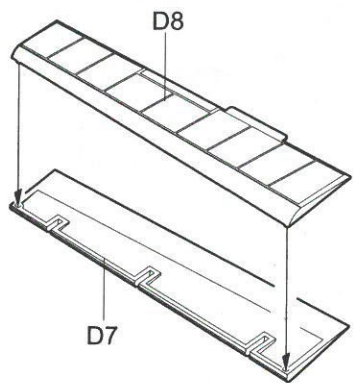
42

ⓘ  
钻孔  
Make hole

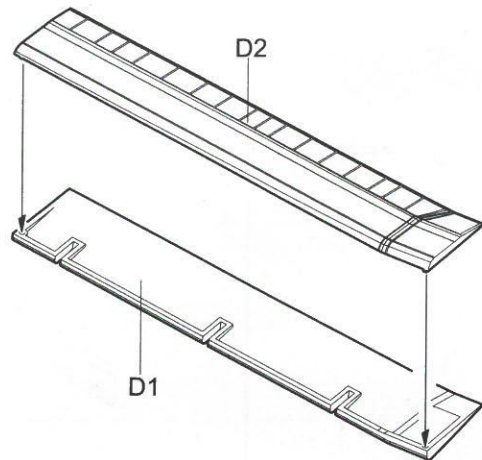
<<右侧机翼>>  
Right wing



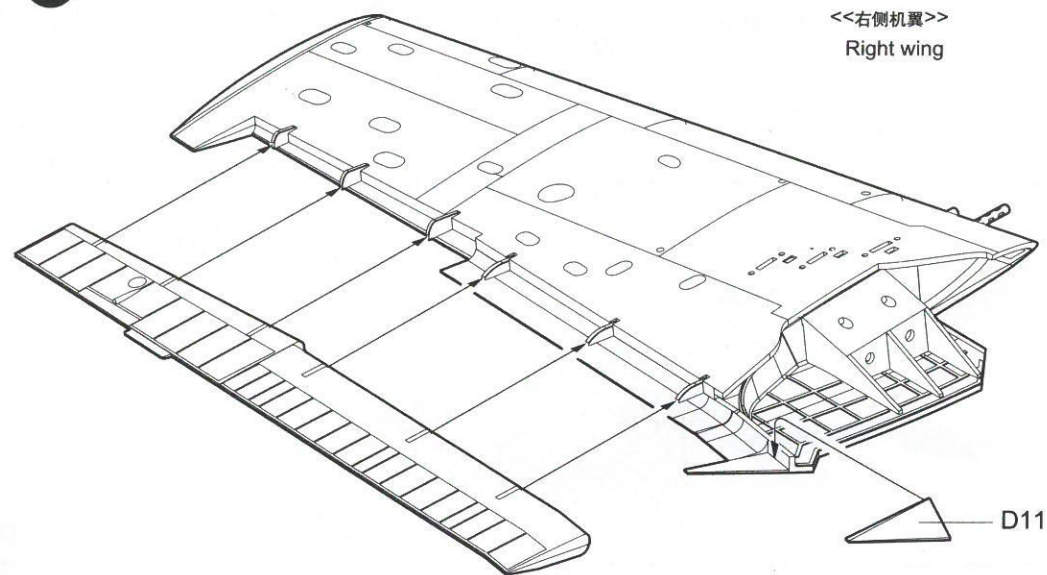
43



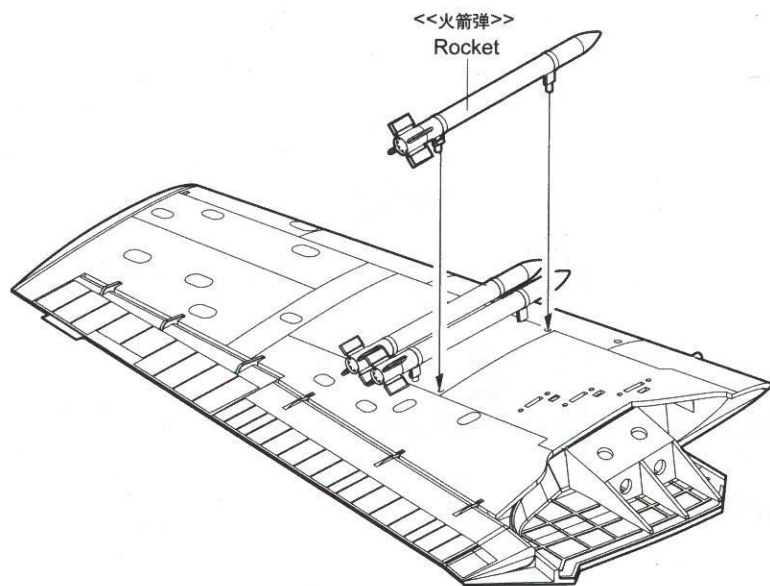
44



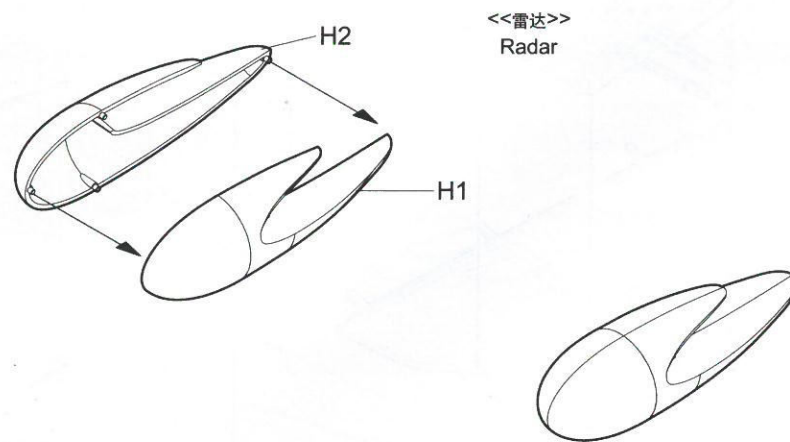
45



46



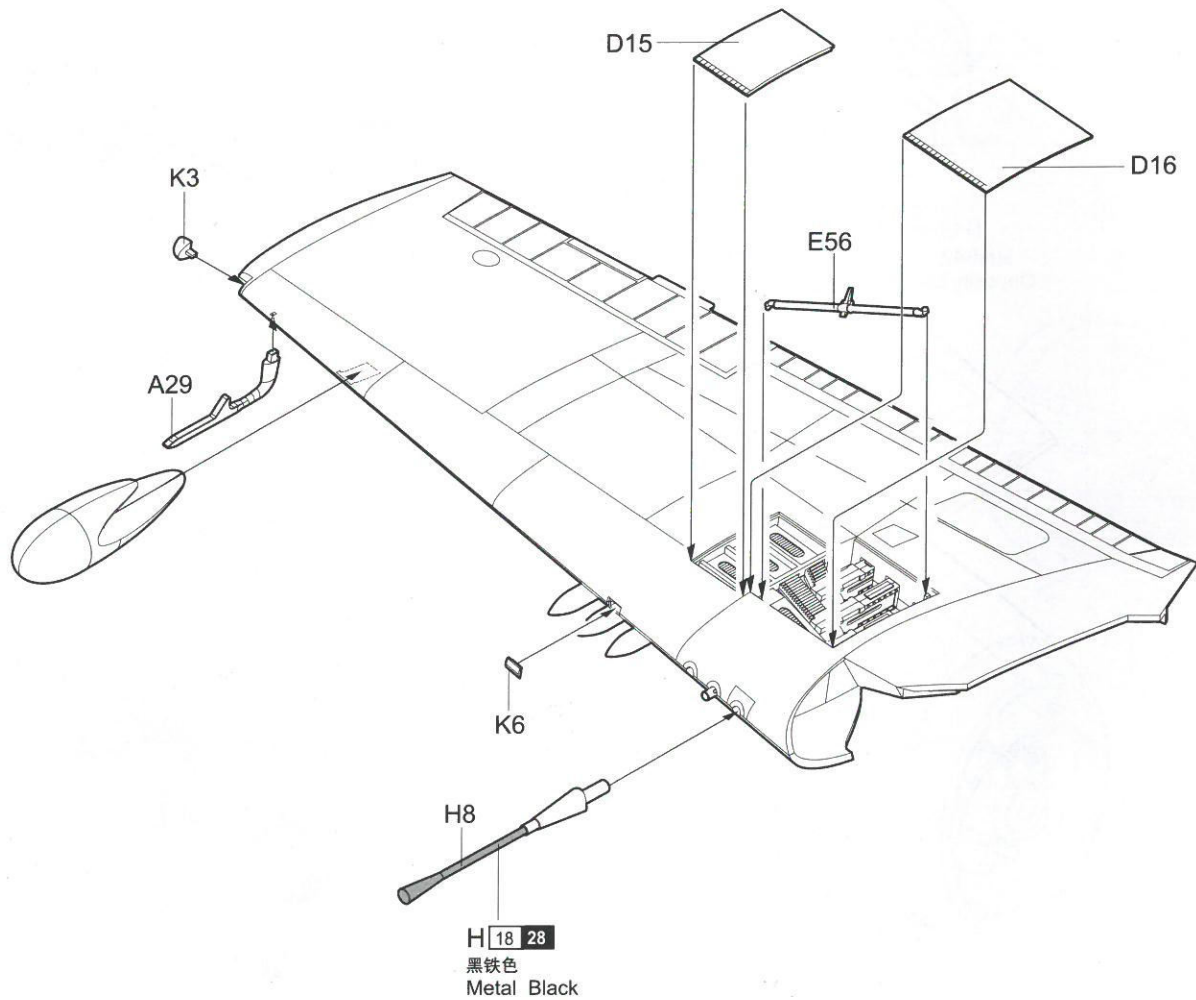
47





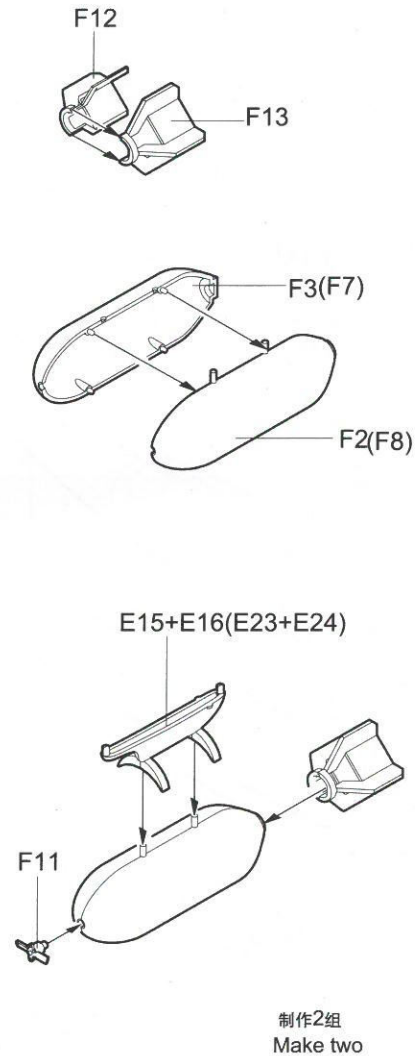
48

<<右侧机翼>>  
Right wing



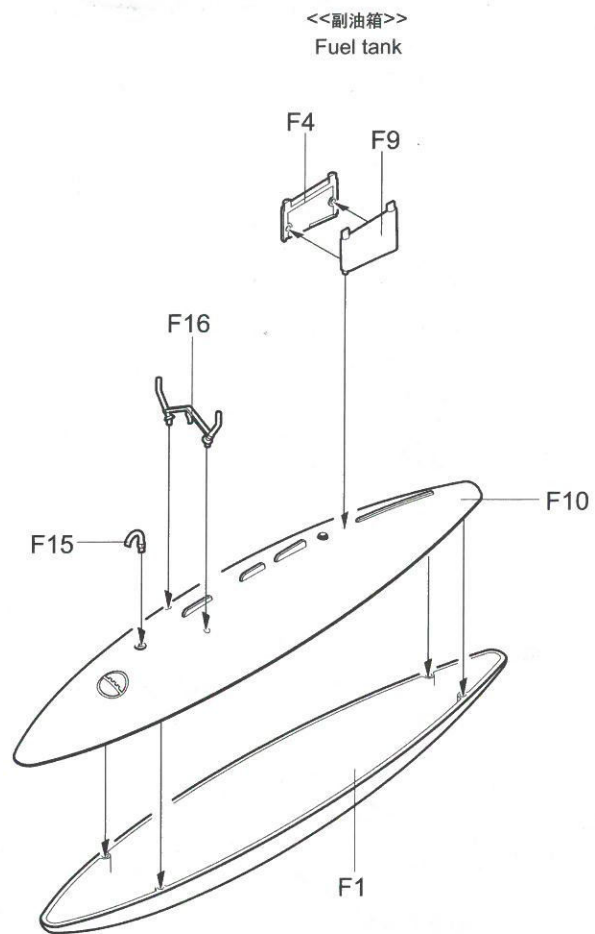
49

<<炸弹>>  
Bomb

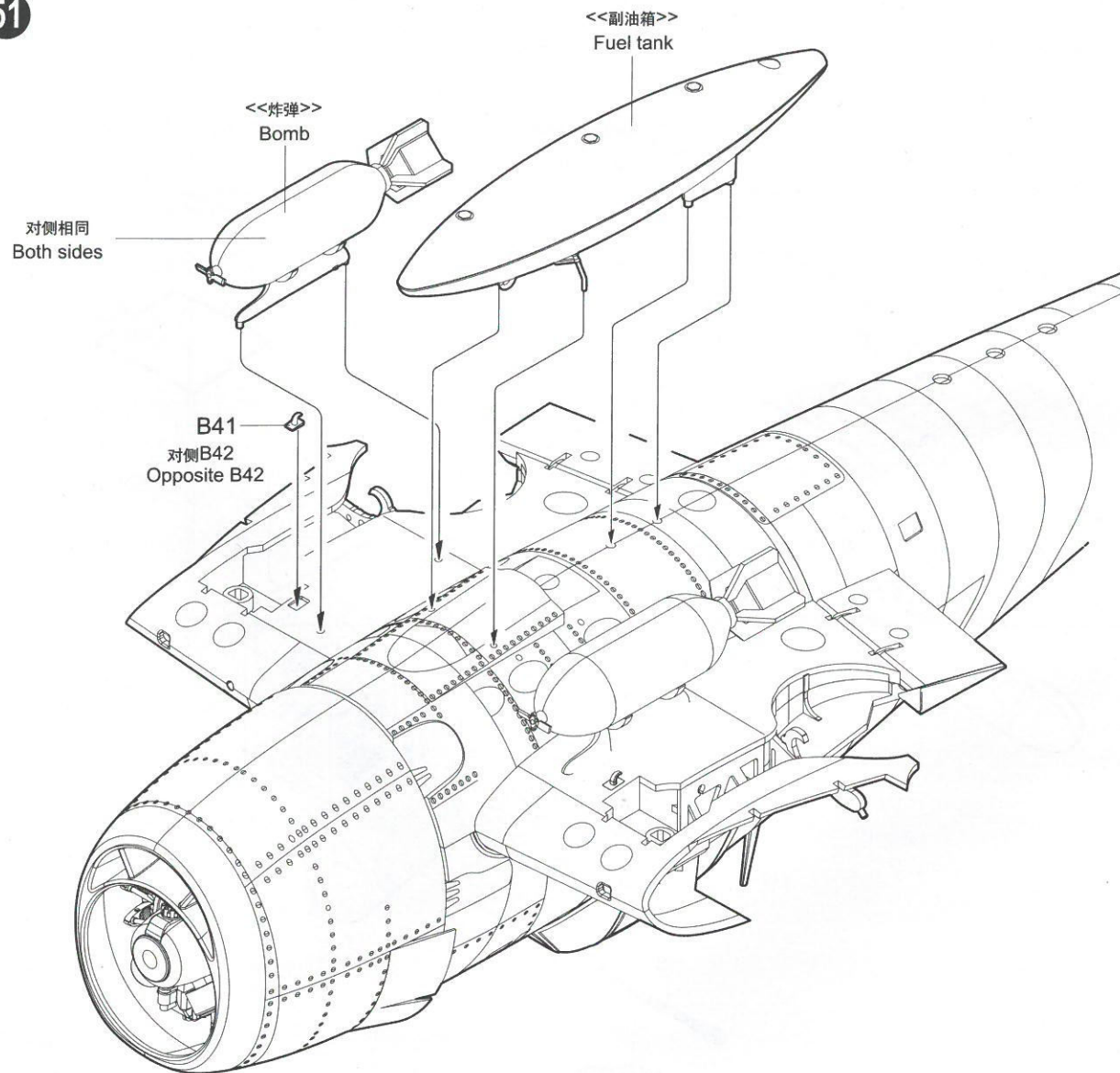


制作2组  
Make two

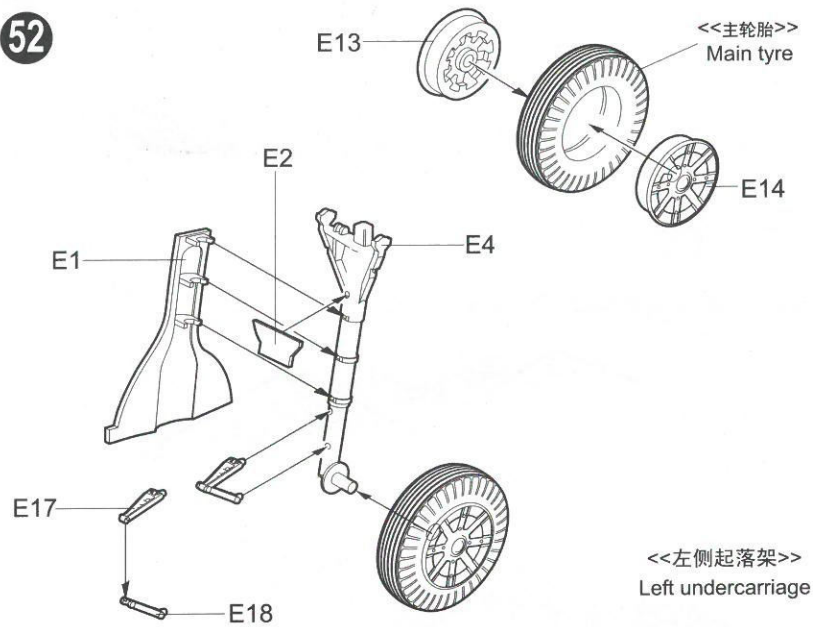
50



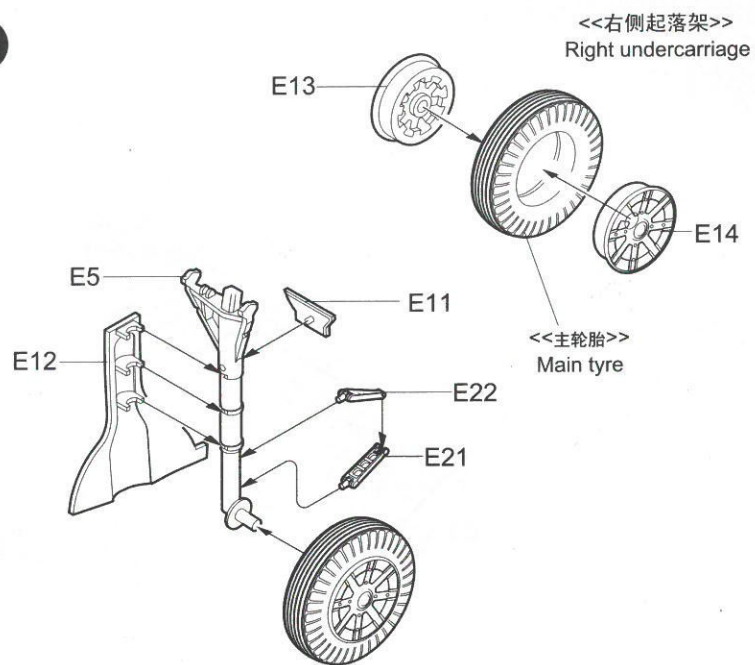
51



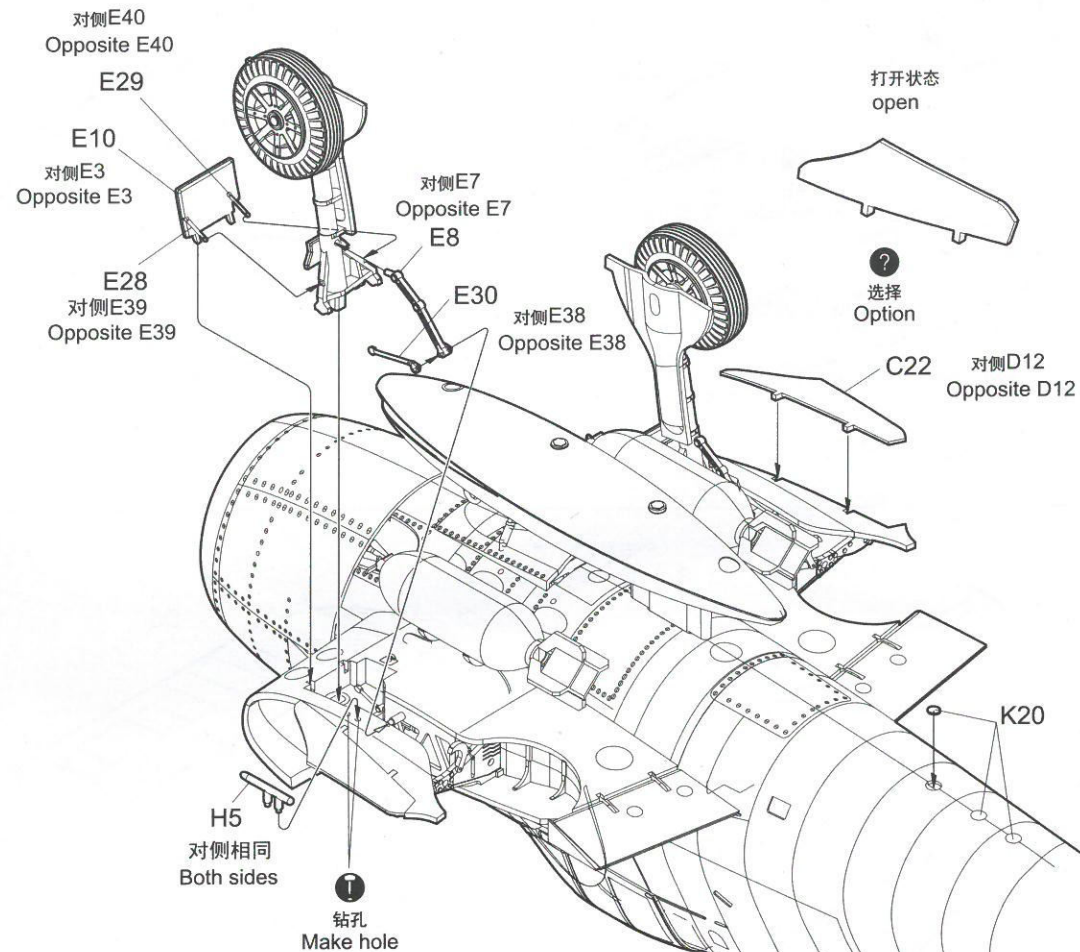
52



53

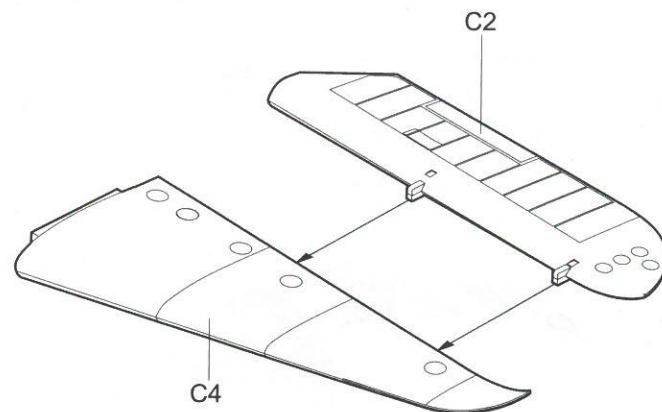
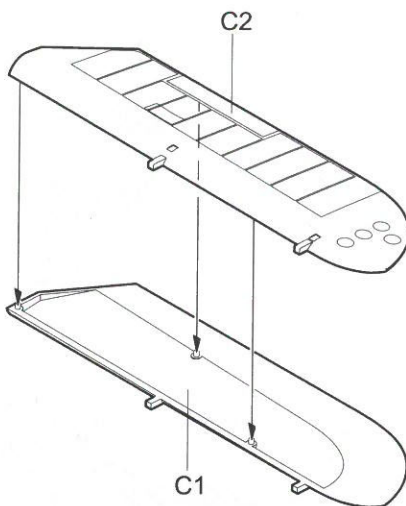
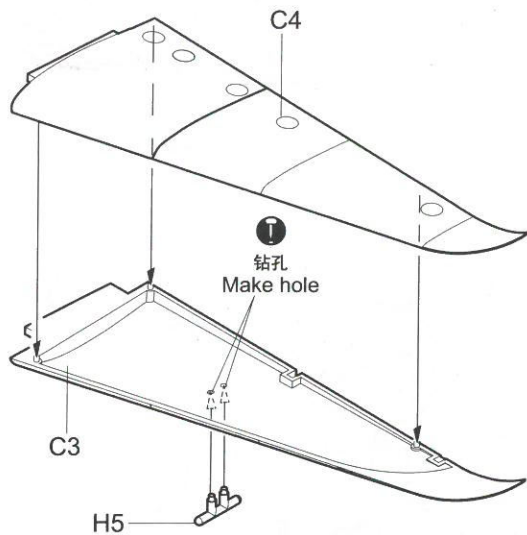


54



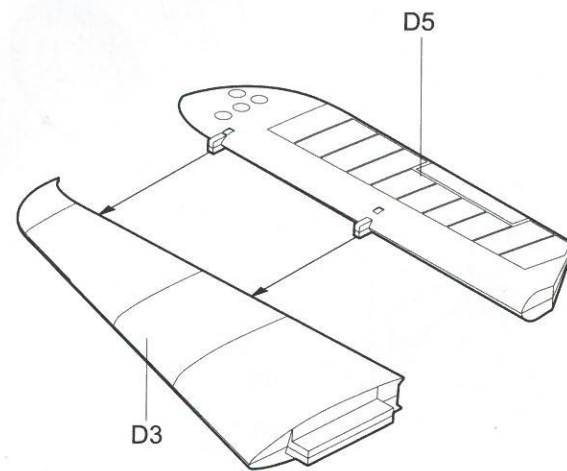
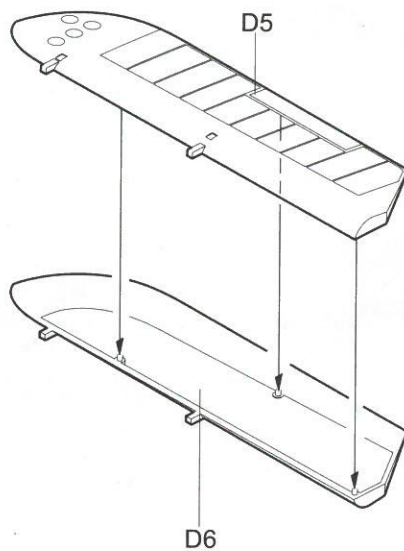
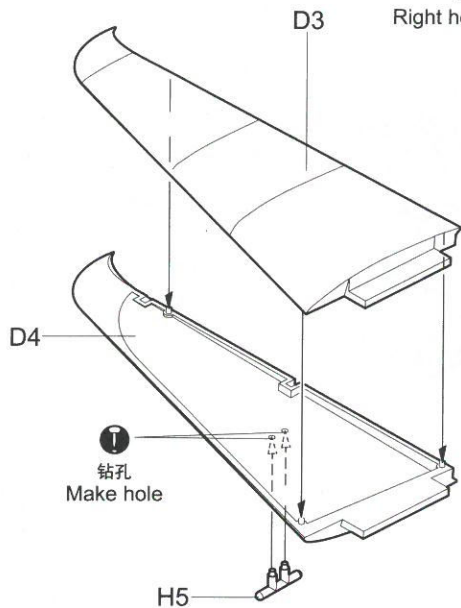
55

<<左侧水平尾翼>>  
Left horizontal stabilizer

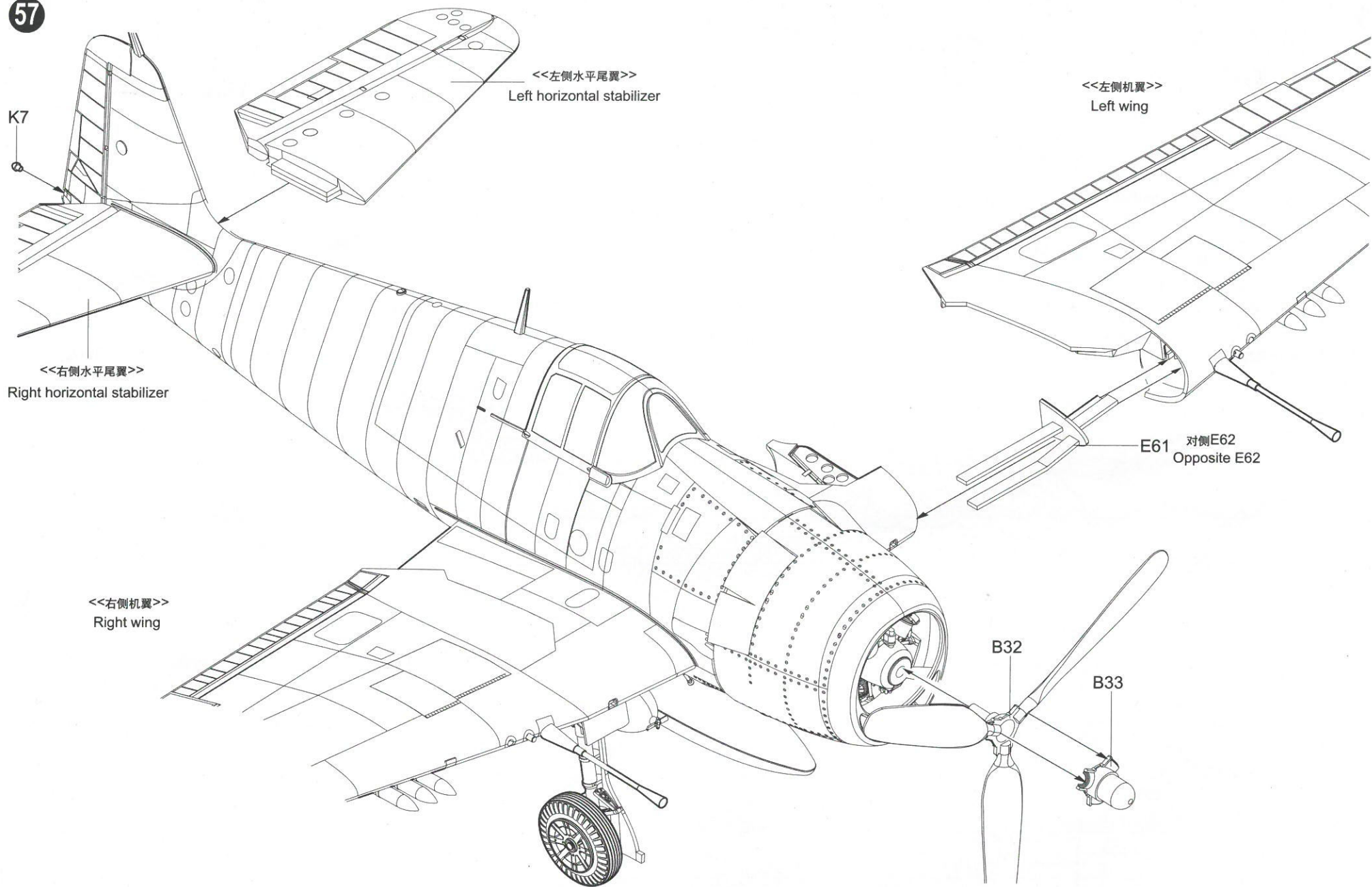


56

<<右侧水平尾翼>>  
Right horizontal stabilizer



57

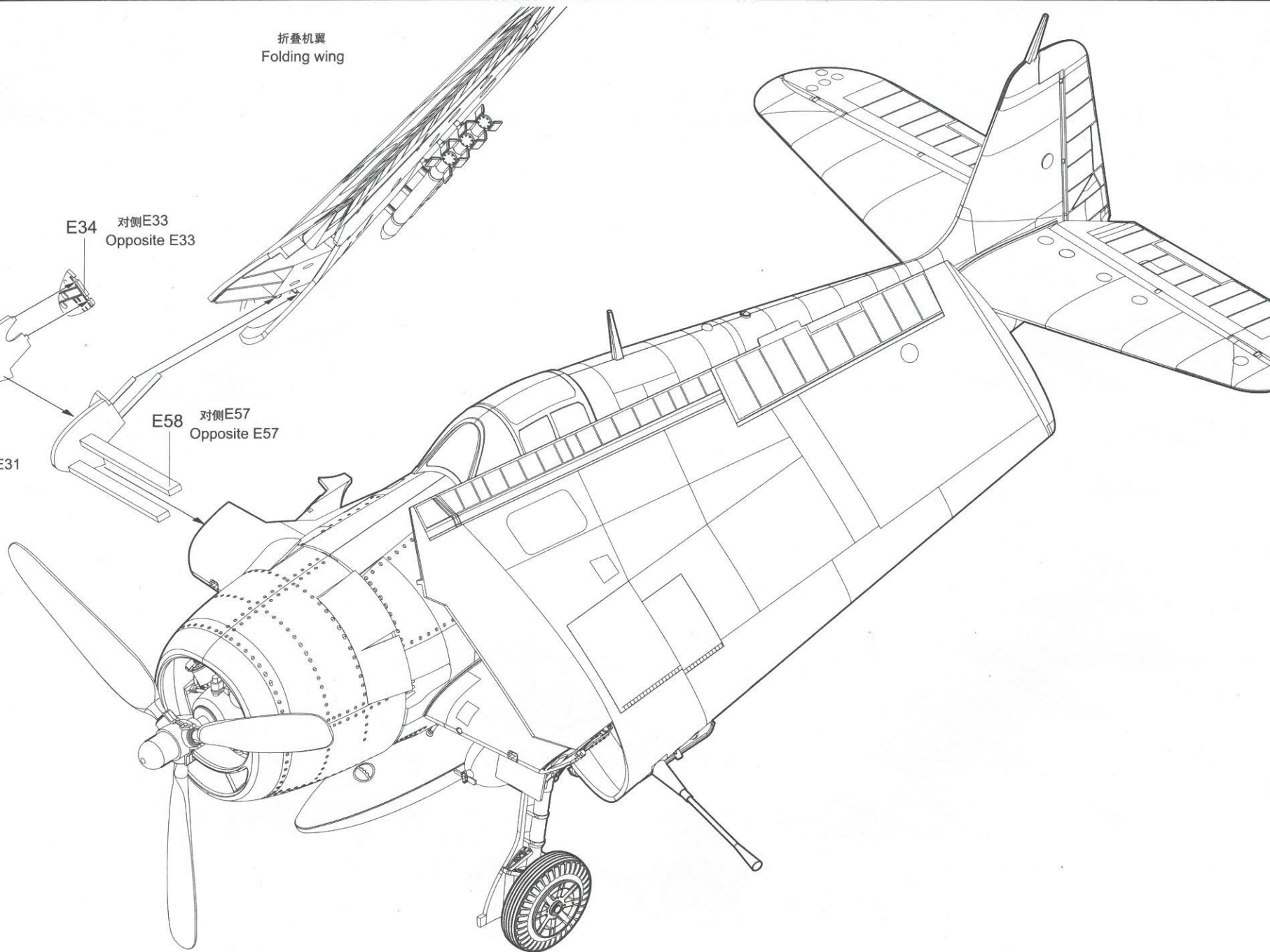


折叠机翼  
Folding wing

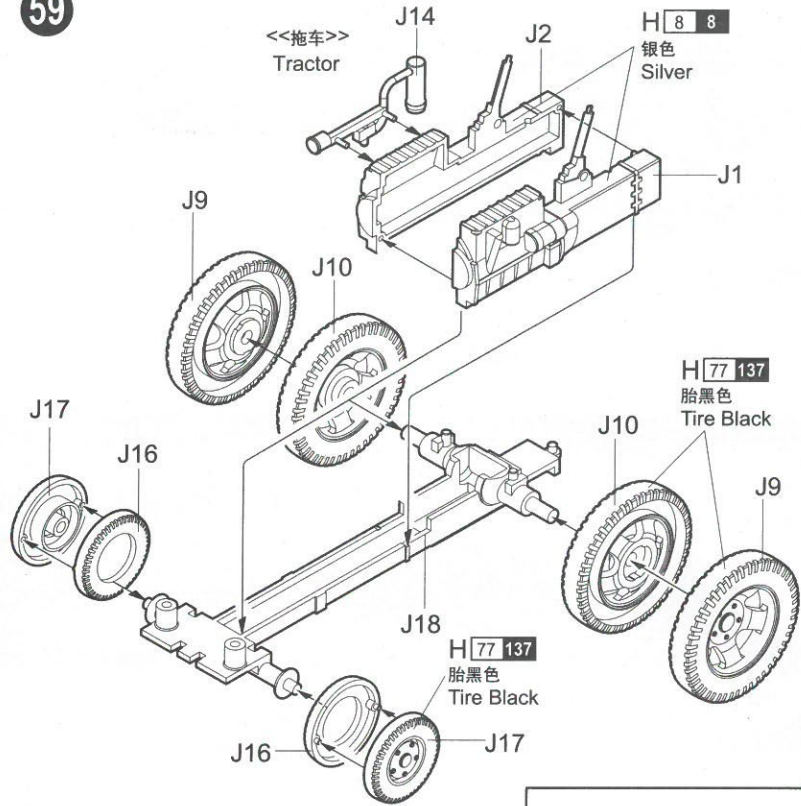
E34 对侧E33  
Opposite E33

E36  
对侧E31  
Opposite E31

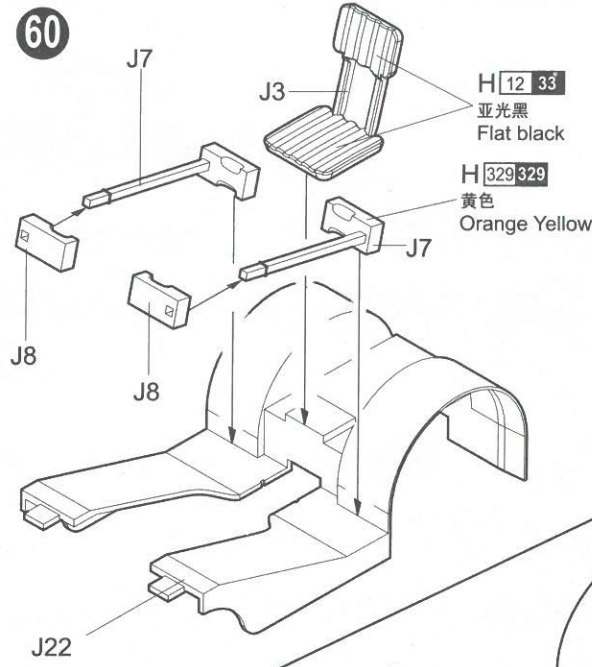
E58 对侧E57  
Opposite E57



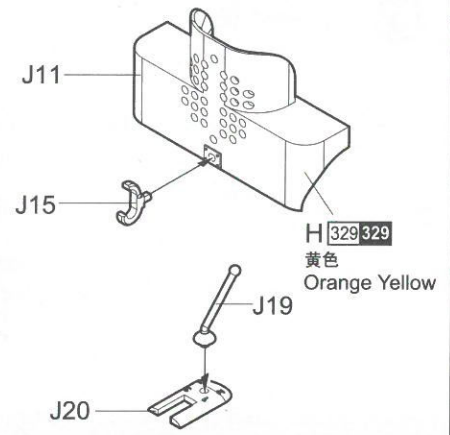
59



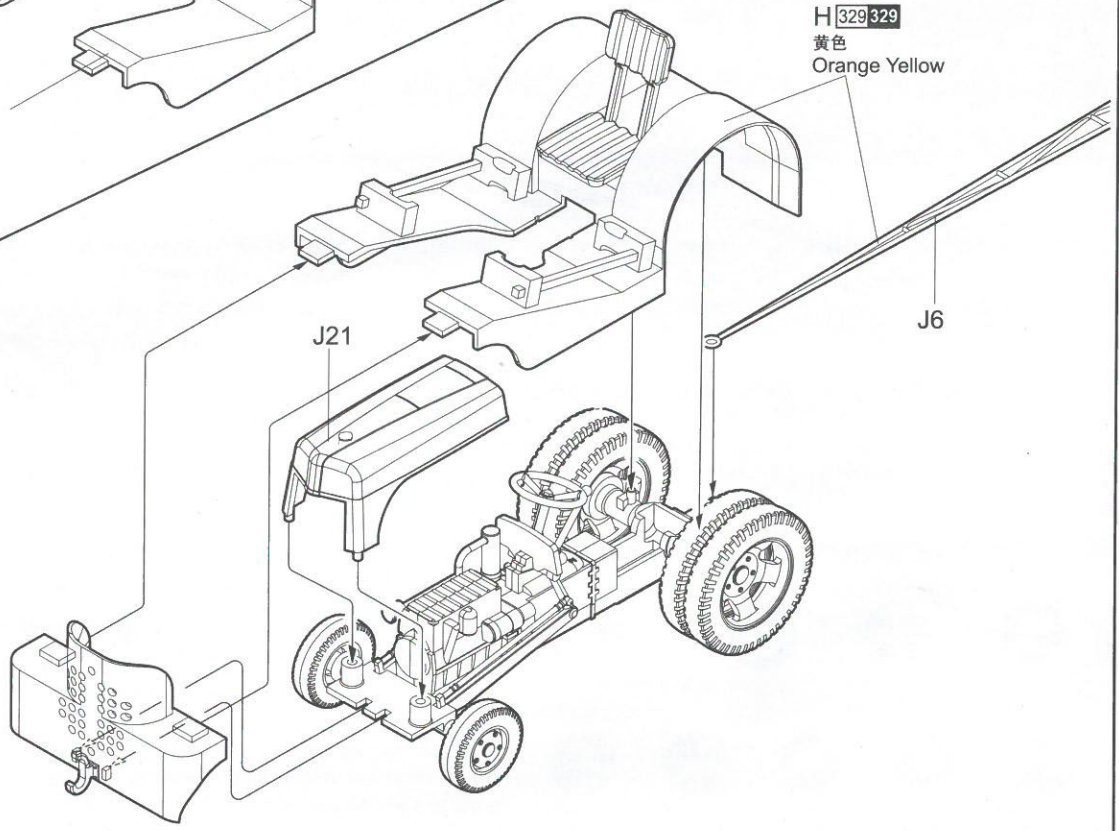
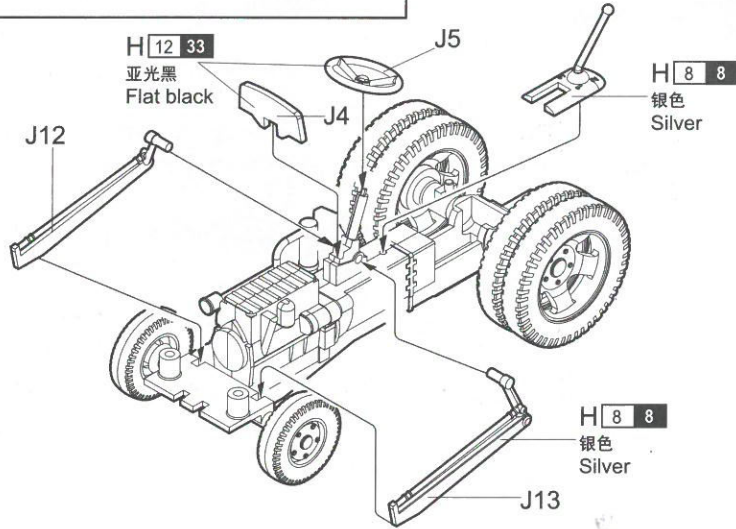
60

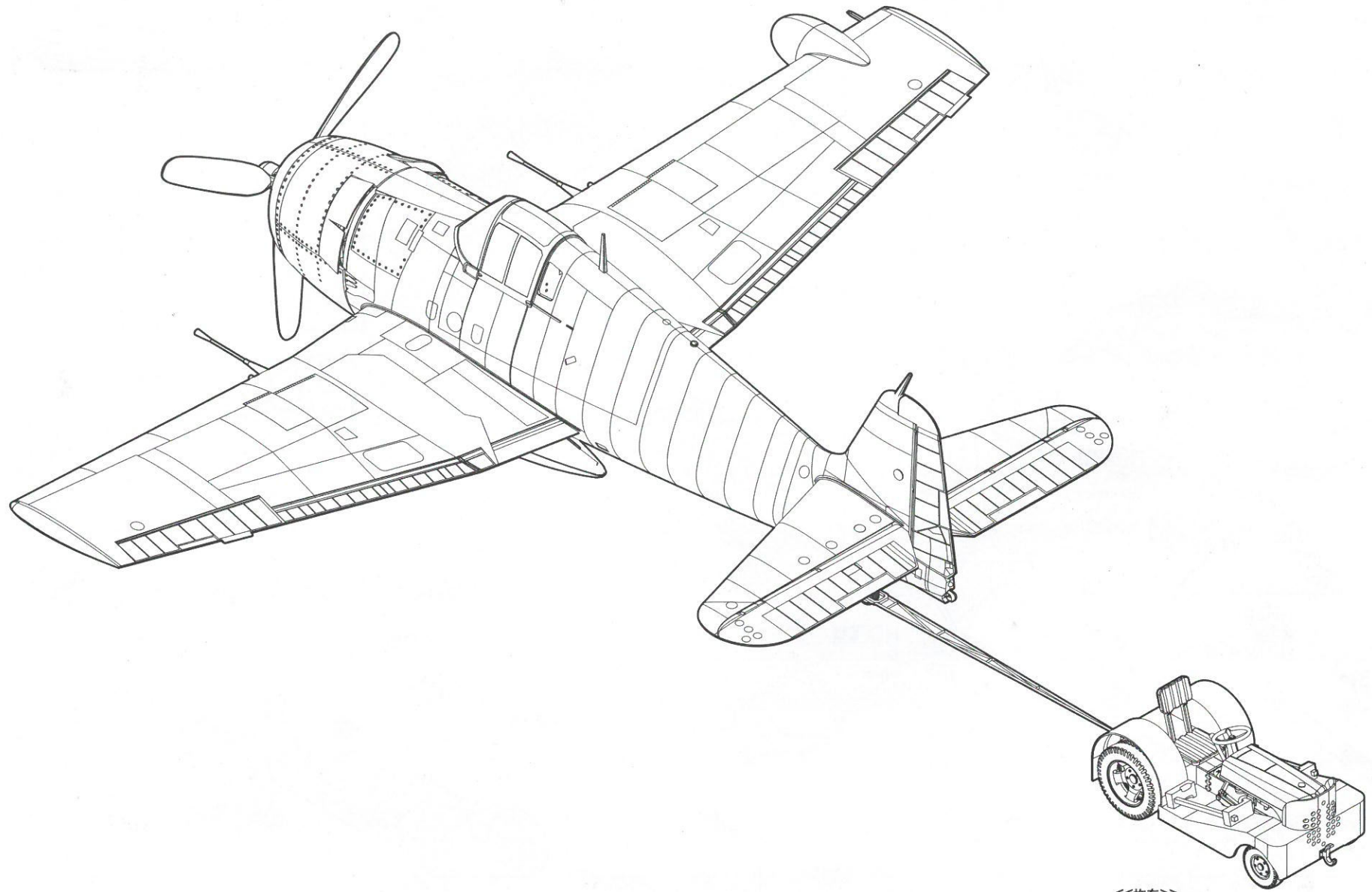


61



62





<<拖车>>  
Tractor