

Russian BRDM-2(LATE)

俄罗斯BRDM-2（后期型）侦察车

READ BEFORE ASSEMBLY:

- Study and understand these instructions thoroughly before beginning assembly
- When needed, remove photo-etch parts carefully using a modeling knife or photo etch sprue cutter, being careful not to damage or lose small parts.
- Take extra care in handling photo etch parts in order to avoid injury
- Apply instant cement sparingly to photo etch parts where instructed
- Tools recommended(not included in kit):Plastic and instant cements, sprue cutters,long nose pliers,modeling knife, small files, tweezers, pin vise & scissors. Soft cloth and sandpaper will also assist in construction
- Glue and paint are not included in the kit. Use plastic cement and hobby paints only. Color guide for purchasing paint is included in the kit.

装配之前仔细阅读

- 小心用模型锉刀锉平所有零件表面的注射浇口。
- 小心用刀片切下蚀刻片零件，不要遗失小零件。
- 用强力快干胶水粘合蚀刻片零件和金属轴。过量快干胶水使用可能导致可动零件会粘住，小心涂胶。
- 取蚀刻片时应特别注意安全，防止利边划伤手指。
- 某些零件表面需贴水上贴纸，请选择在装配的同时进行。
- 推荐模型工具(自备)：胶水，水口剪刀，长咀钳，刀片，锉刀，镊子，钳，钻，剪刀，瞬间快干胶。
- 软布同砂纸同时也应该是必备工具。
- 请使用塑料胶水和油漆，模型内不含。



配重
Weight



使用强力胶
Cyanoacrylate glue



钻孔
Make hole



切除
Cut / Remove



贴纸
Decal



锉平
File / Sand



选择
Option



不涂胶水
No cement



弯曲
Bend

水贴纸的使用:

- 1.从水贴纸上剪下印花;
- 2.将印花放入温水中浸10秒,然后放在干净布上。
- 3.拿着印花纸板将印花移到模型上;
- 4.手指蘸水将印花移到适当的位置;
- 5.用软布轻压印花直至水干, 气泡消失

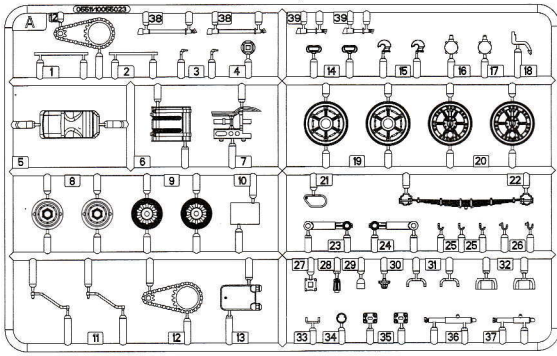
DECAL APPLICATION

- 1.Cut decals from sheet as needed
- 2.Dip the decal in warm water for about 10 seconds and then place on soft clean cloth.
- 3.Hold the decal backing sheet edge and gently slide the decal onto the model in its proper position.

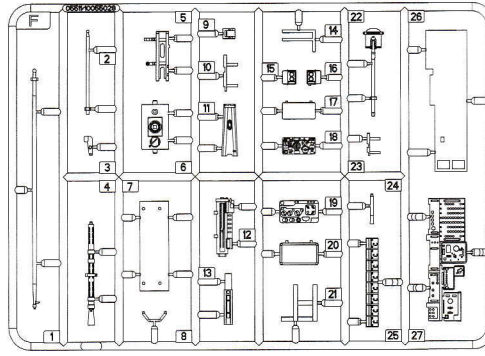
- 4.While still wet,decal can be adjusted for better fit on model by dampening it gently with your finger.
- 5.When placed in the proper position,gently press decal down with a soft cloth until excess water and air bubbles are gone.
- 6.Allow decal to dry completely before handling model

部品图 Part

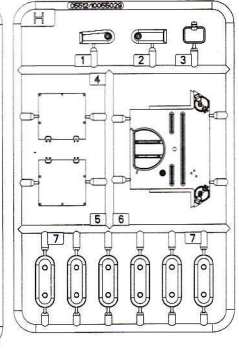
Ax2



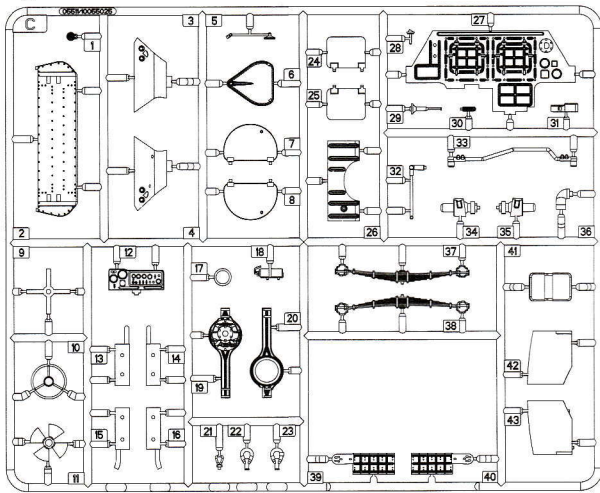
F



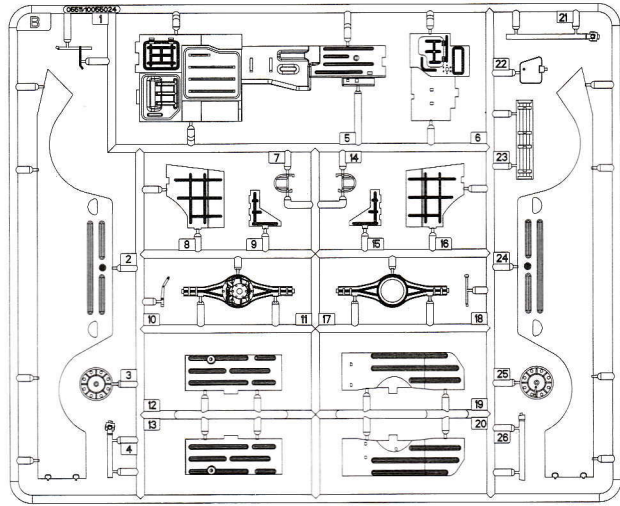
H



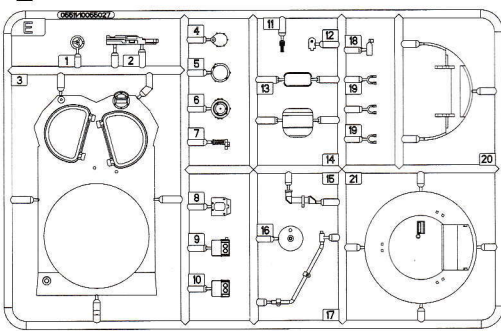
C



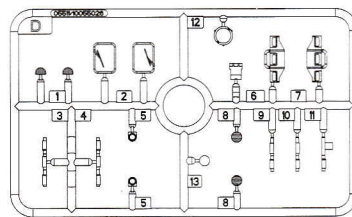
B



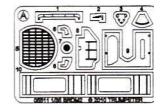
E



D



《蚀刻片》
PE-A



《小轮胎》
Small tyre × 4



《聚乙烯套》
Poly cap



《棉线》
Rope



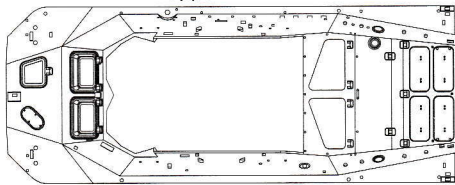
《铜缆》
Brass wire



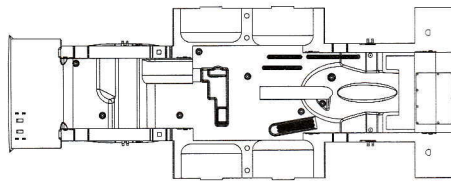
《大轮胎》
Big tyre × 4



《车面》
Upper hull



《车底》
Lower hull

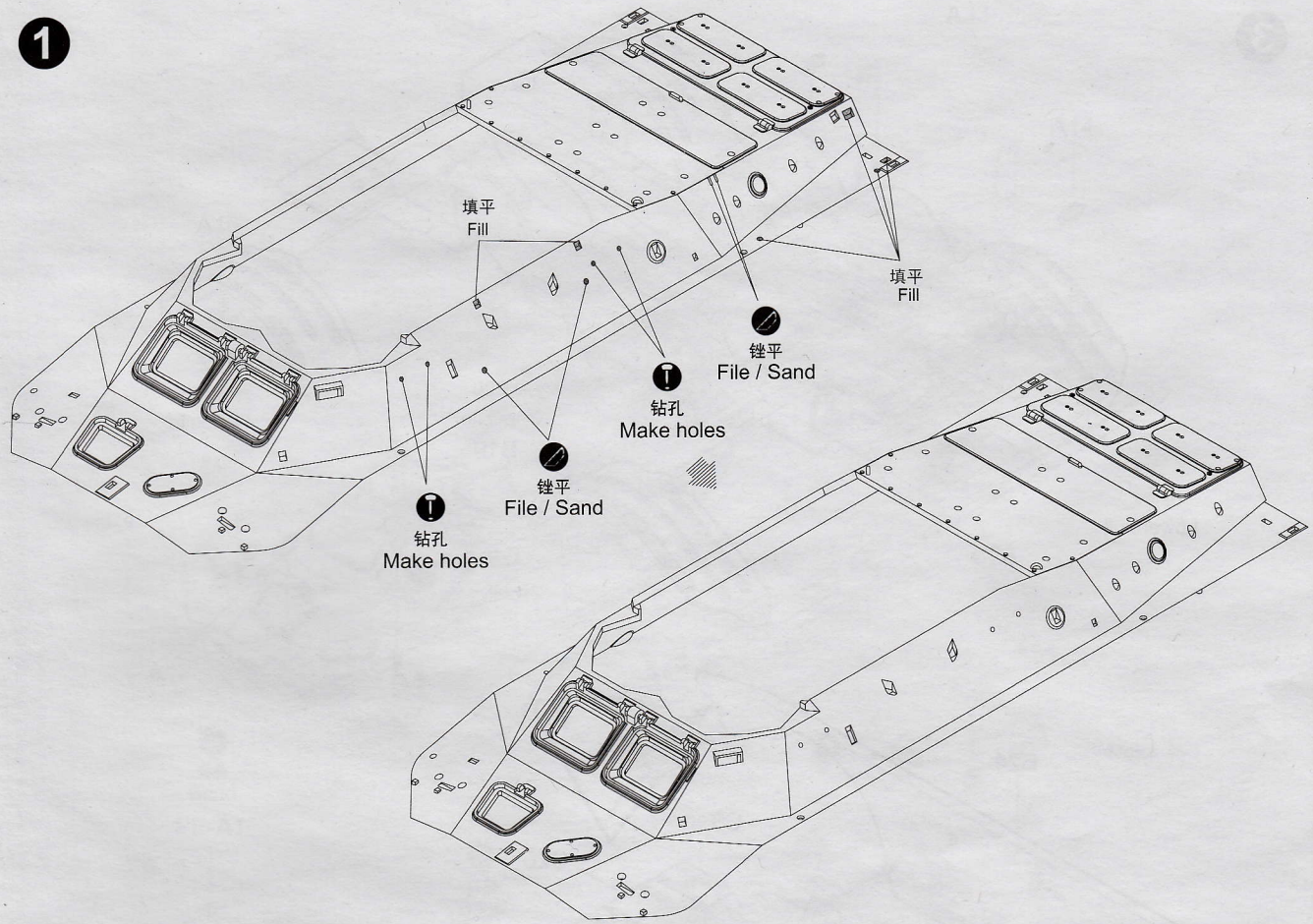


《水贴》
Decal

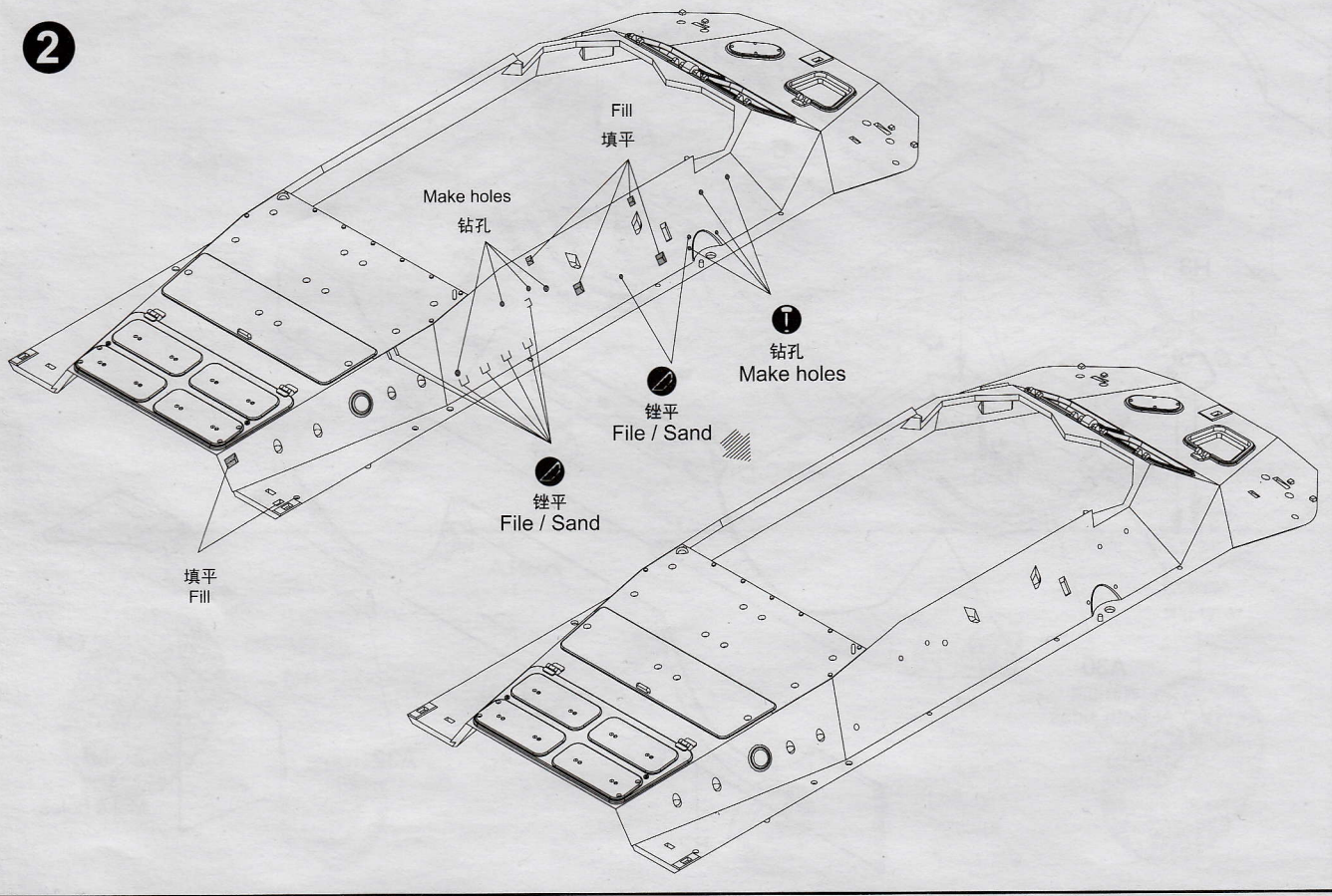


不用部品: D10、E5、PE-A10
Unused parts

1



2



05512

3

3

《车底》
Lower hull

对侧B20
Opposite
B19

B12
对侧B13
Opposite

B24

C3

C26

A32

H3

A30
对侧相同
Both sides

A32

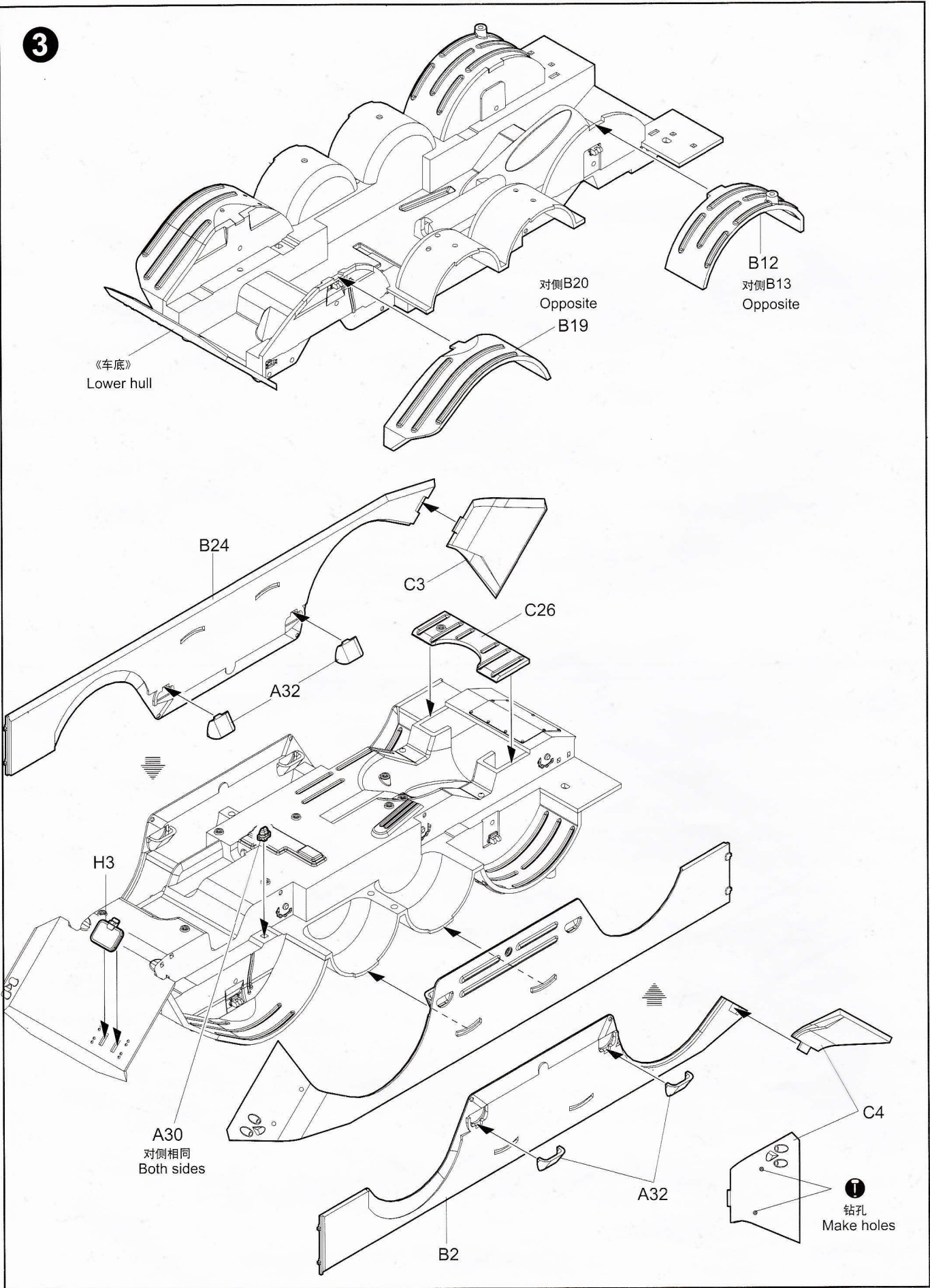
C4

B2

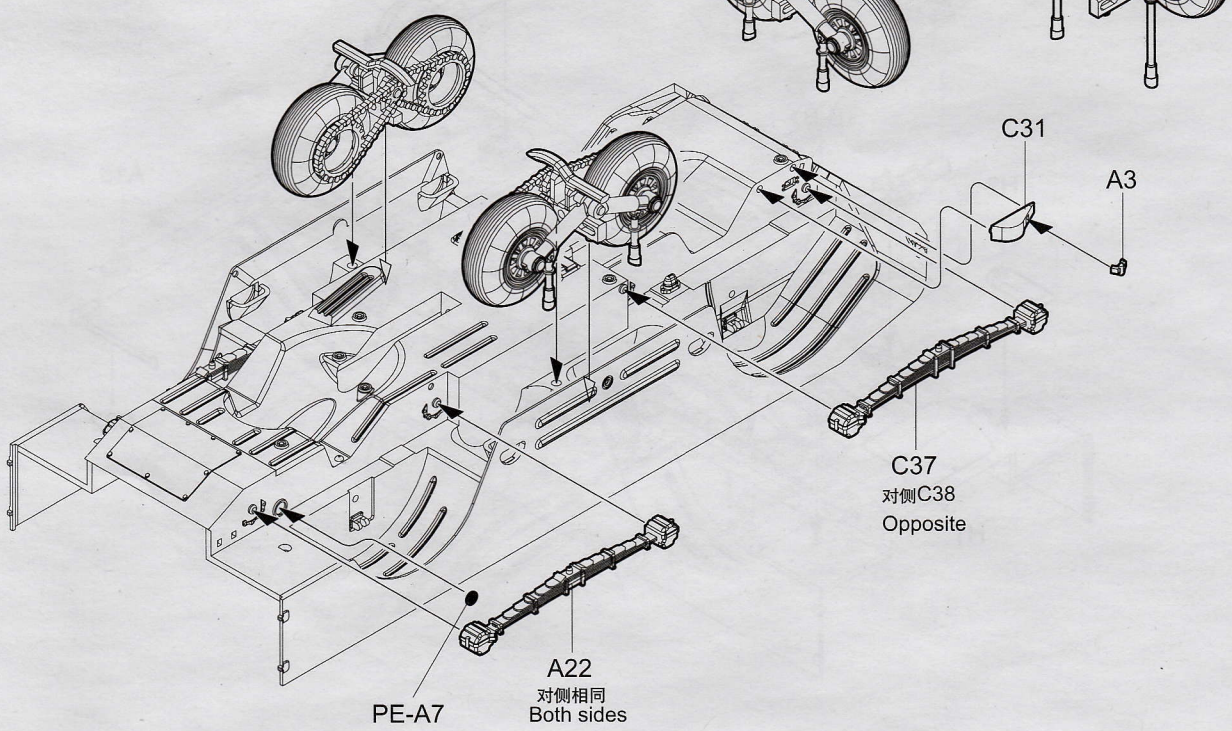
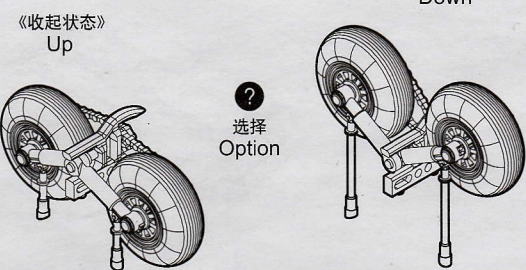
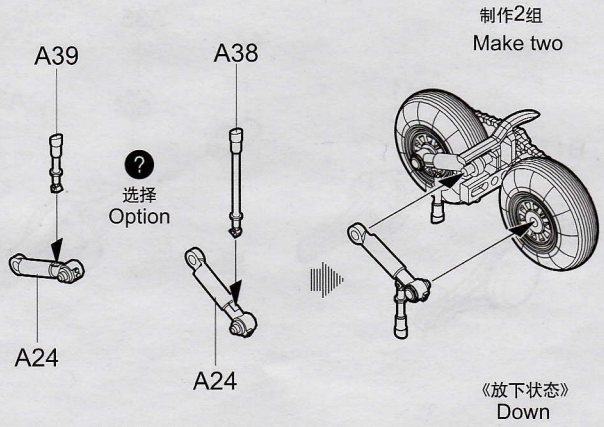
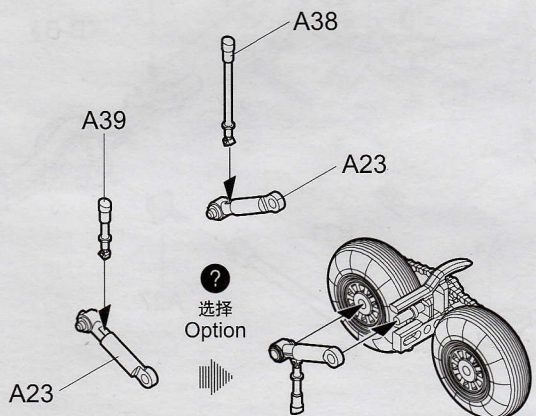
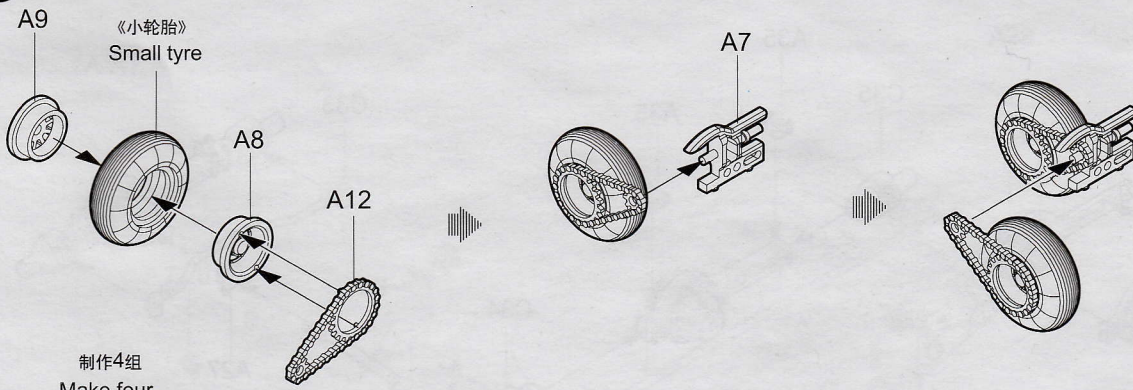
Ⓡ
钻孔
Make holes

05512

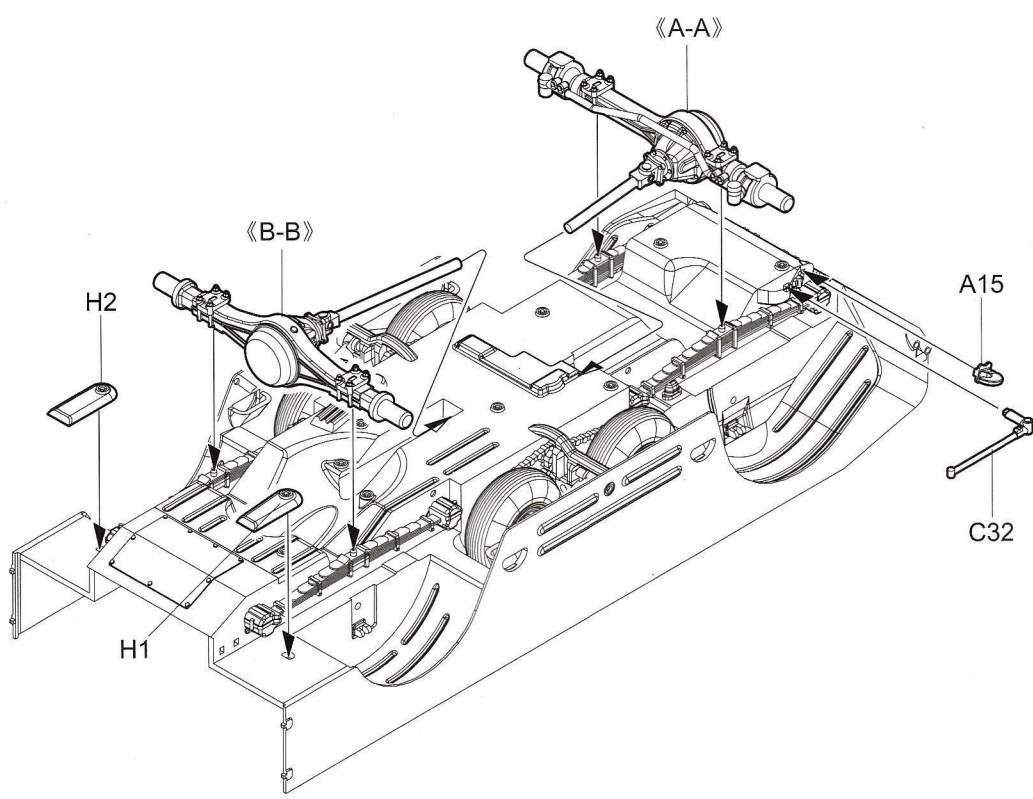
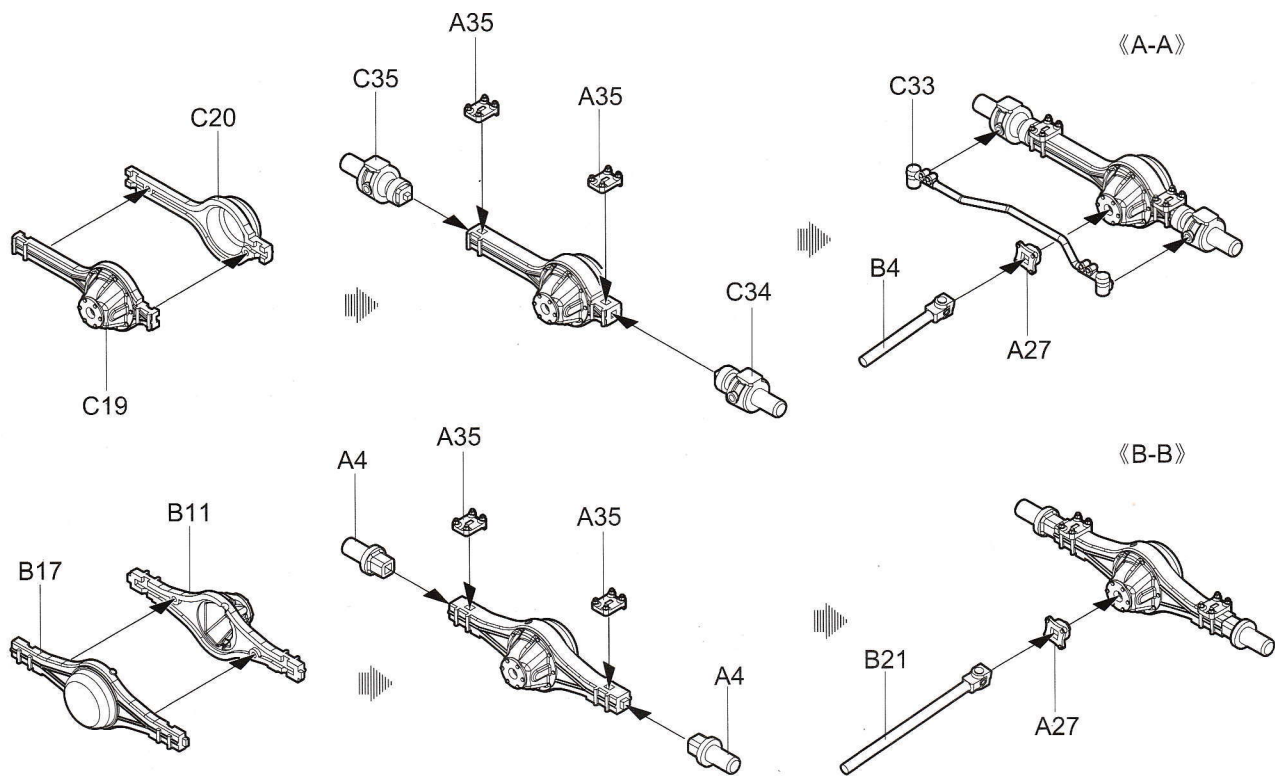
4



4



5



6

对侧相同
Both sides
A1

对侧相同
Both sides
A2

对侧相同
Both sides
A15

A3
对侧相同
Both sides

A37
对侧相同
Both sides

A36
对侧相同
Both sides

A3
对侧相同
Both sides

A26

B1

C10

B5

B18

C30

B10

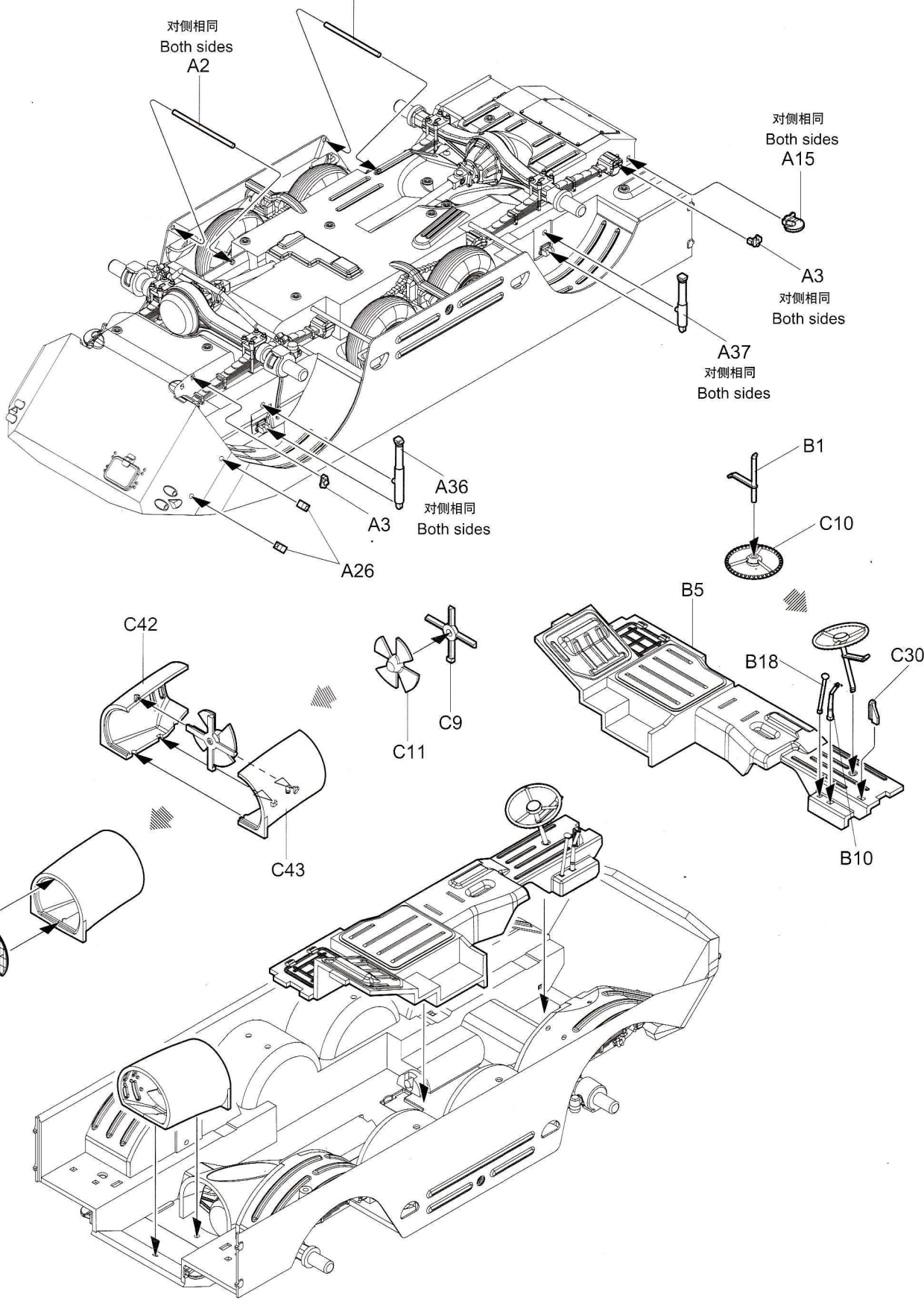
C42

C9

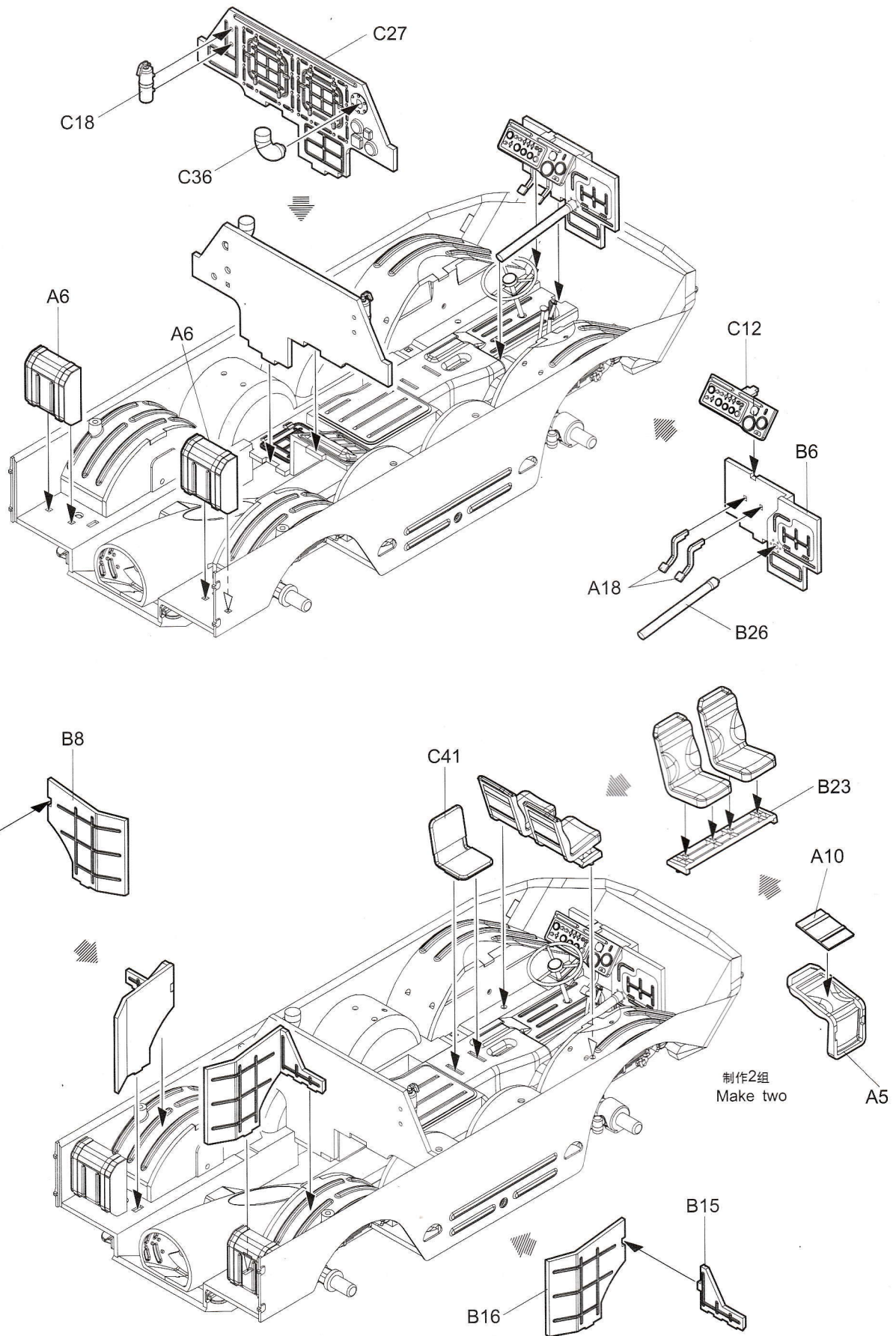
C11

PE-A5

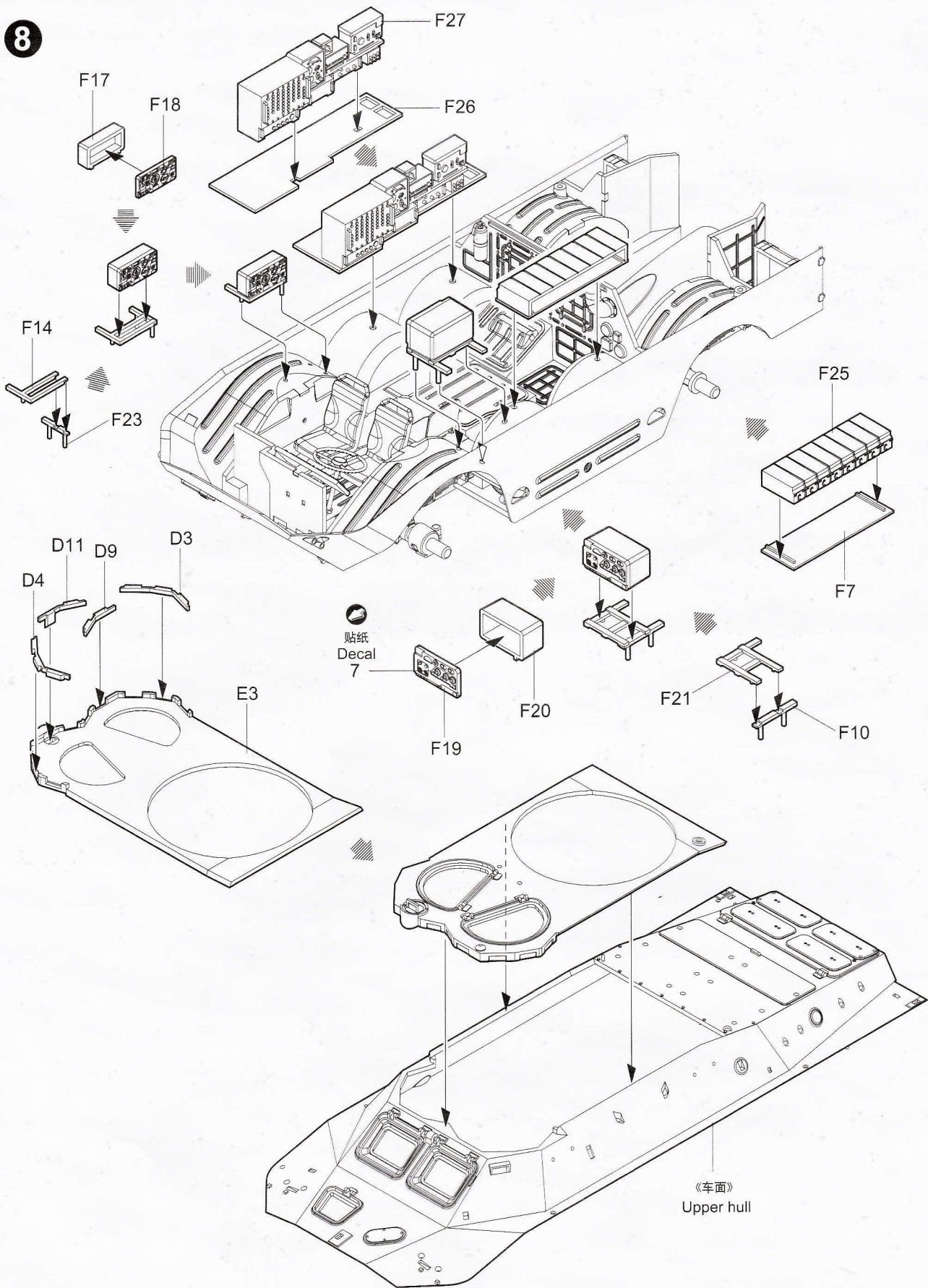
C43

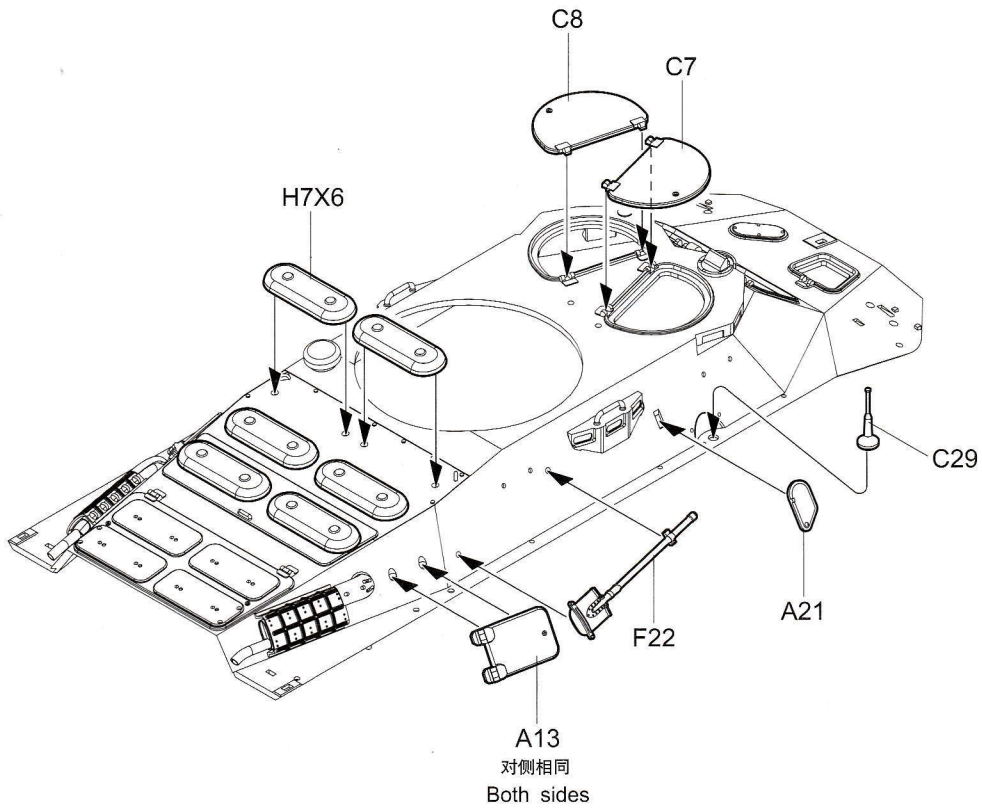
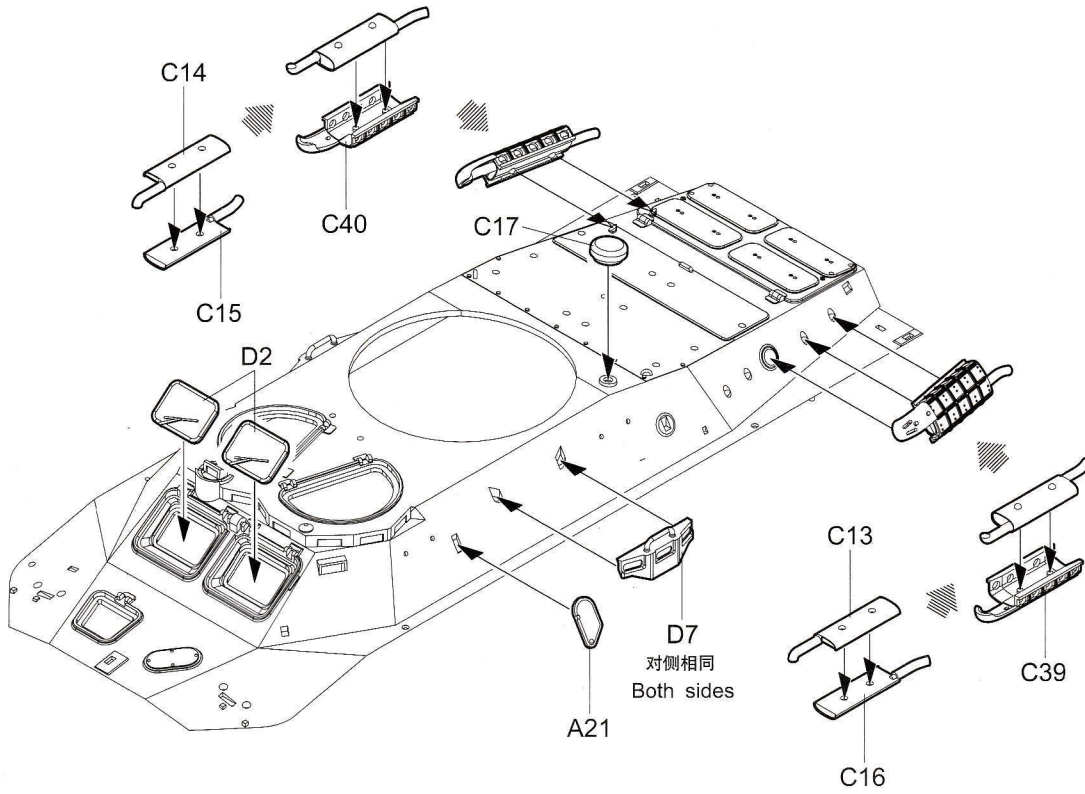


7

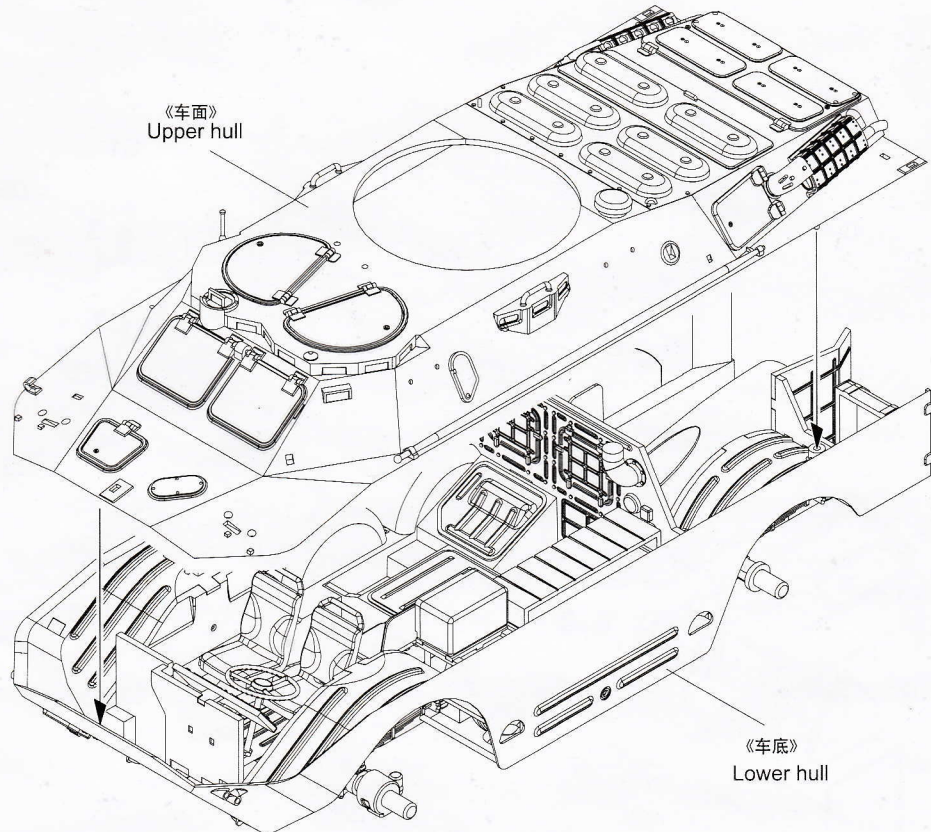
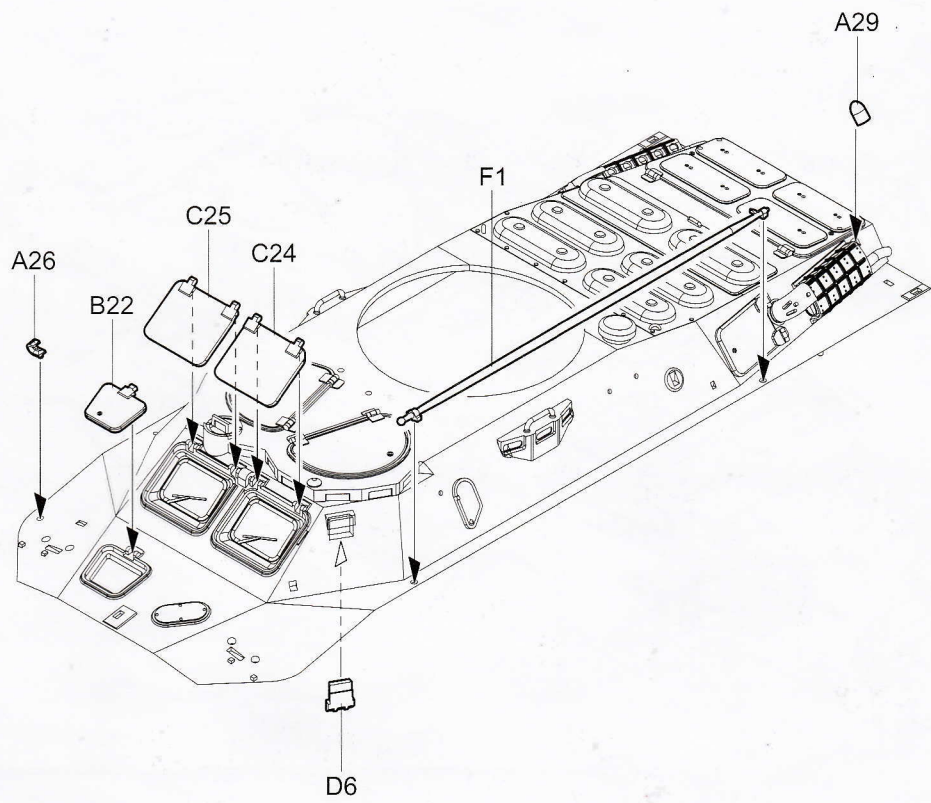


8

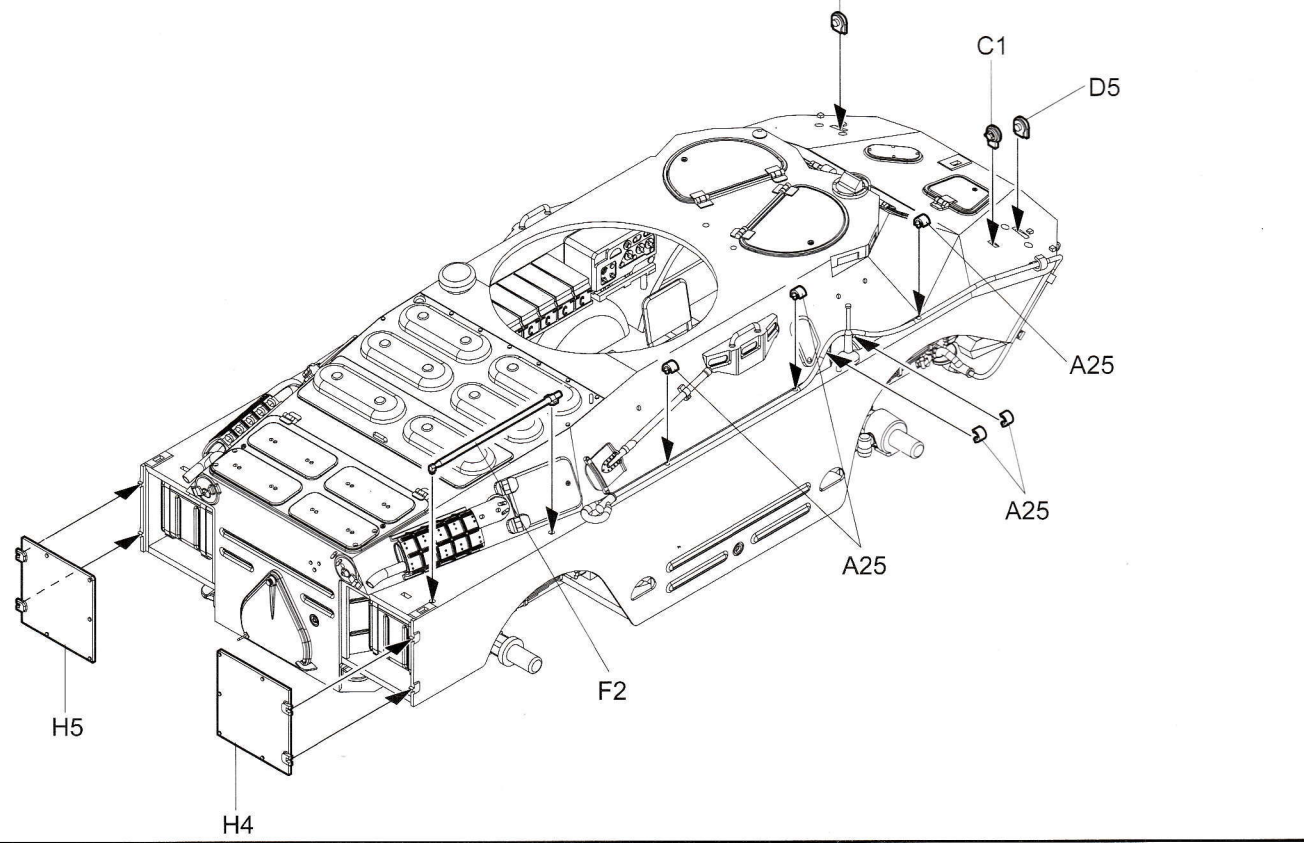
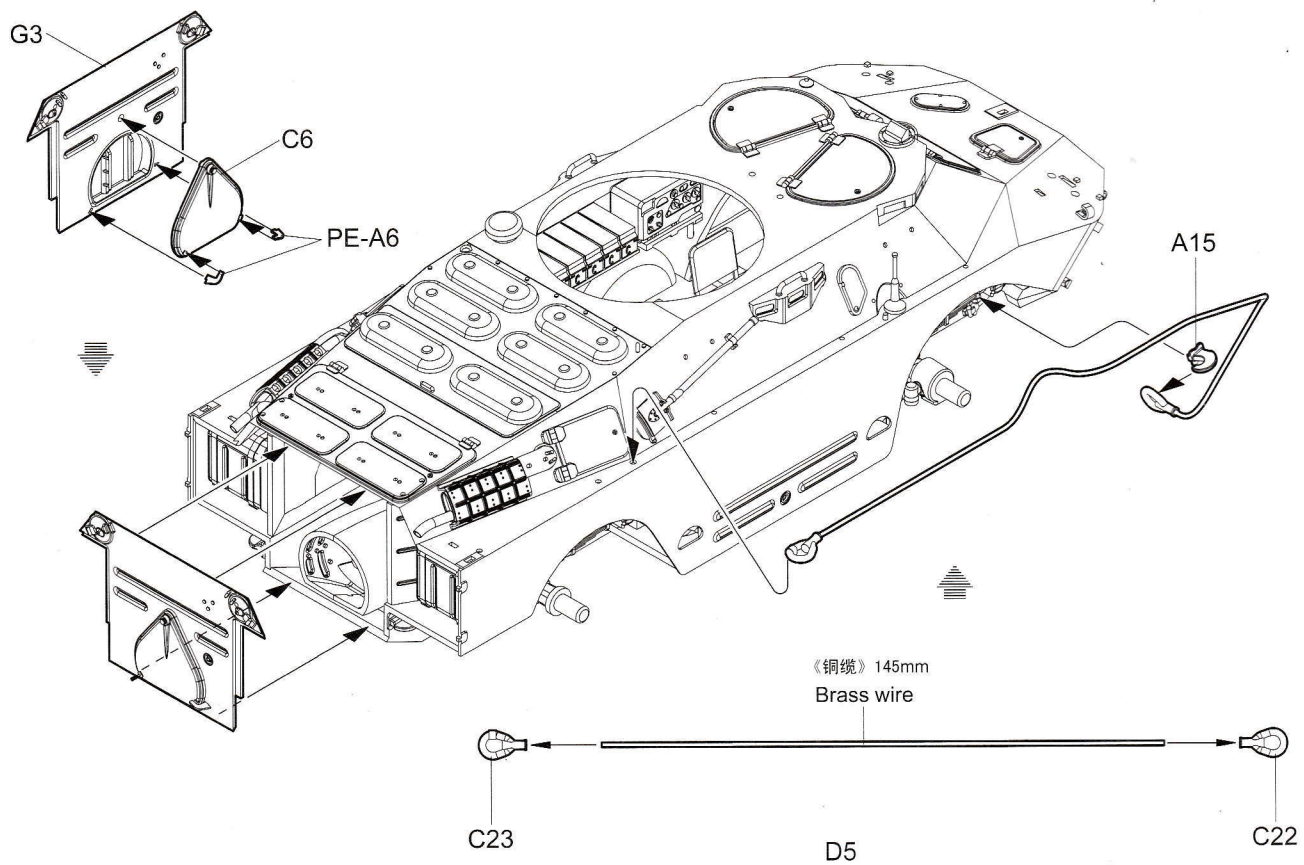




9



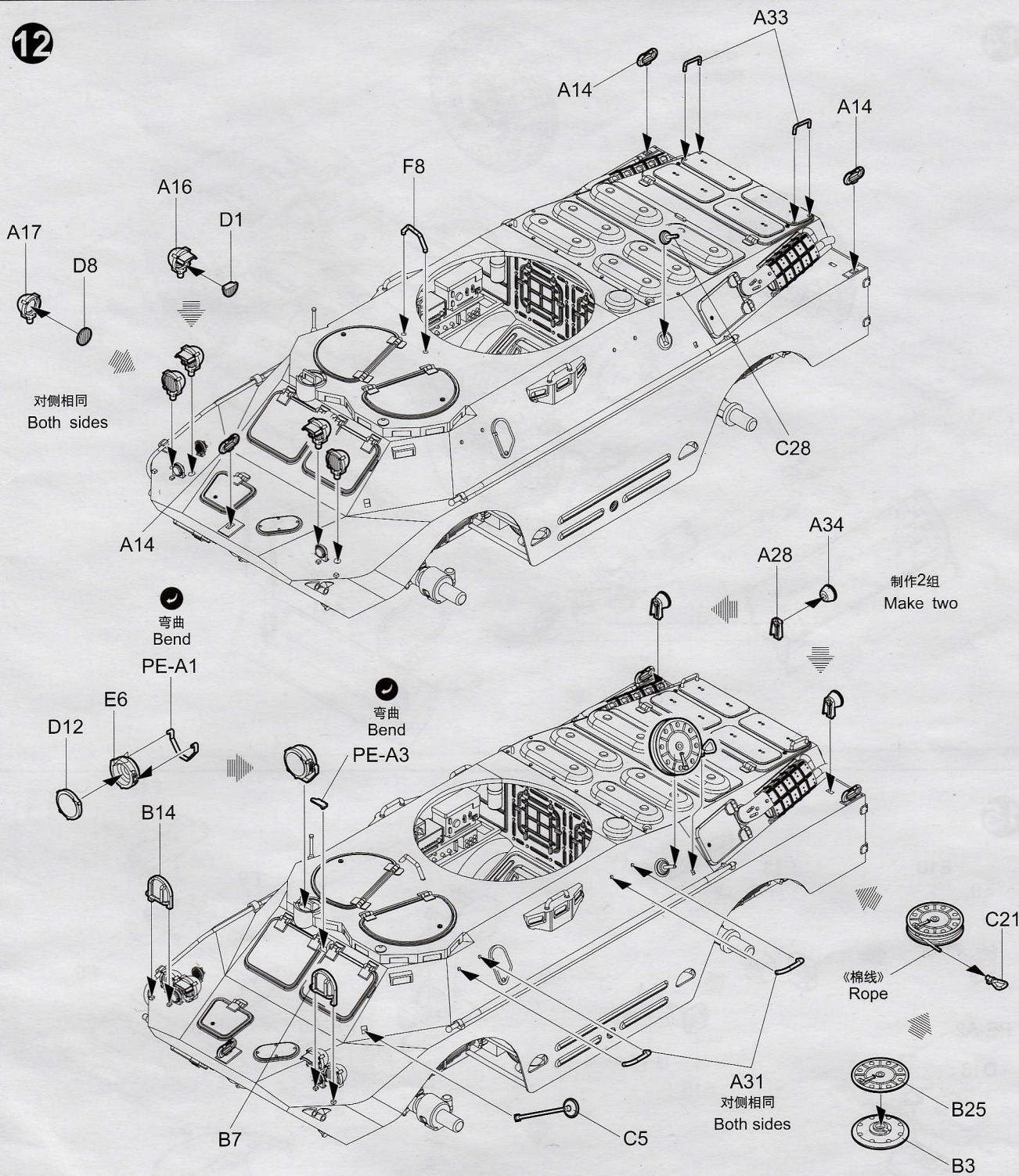
11



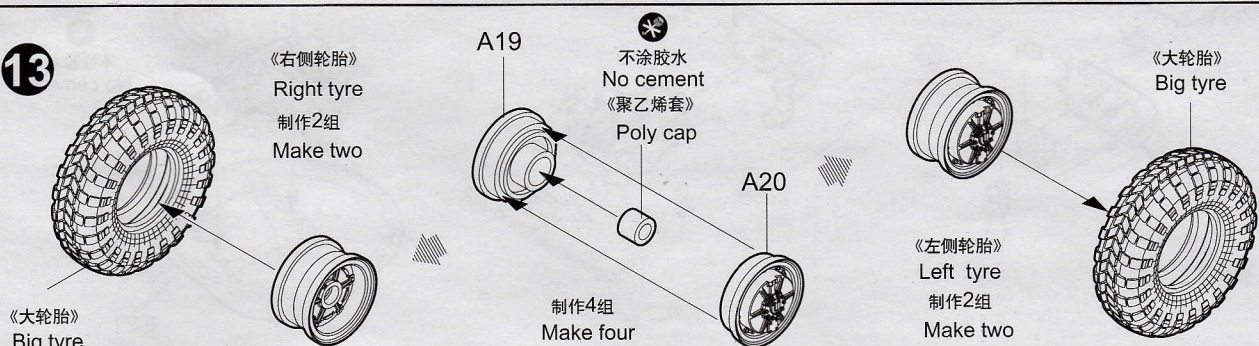
05512

12

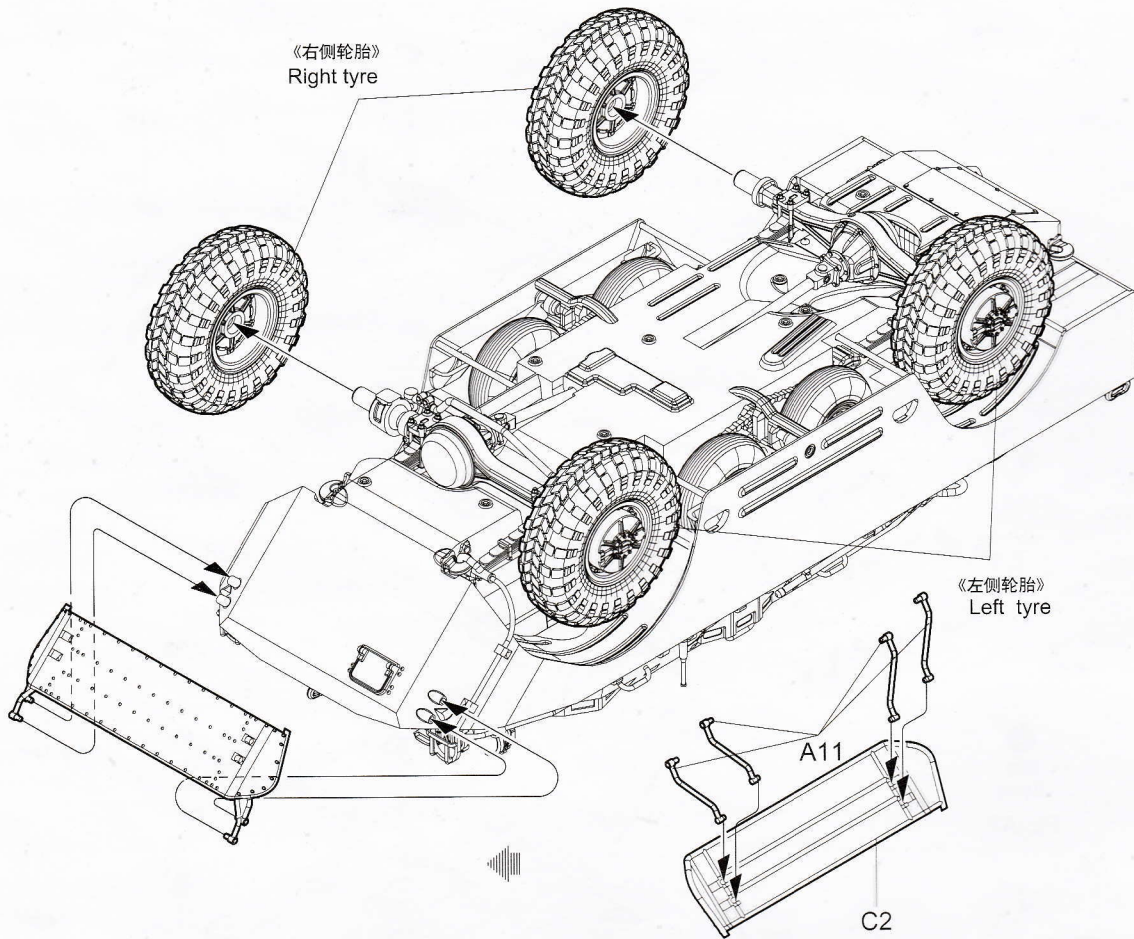
12



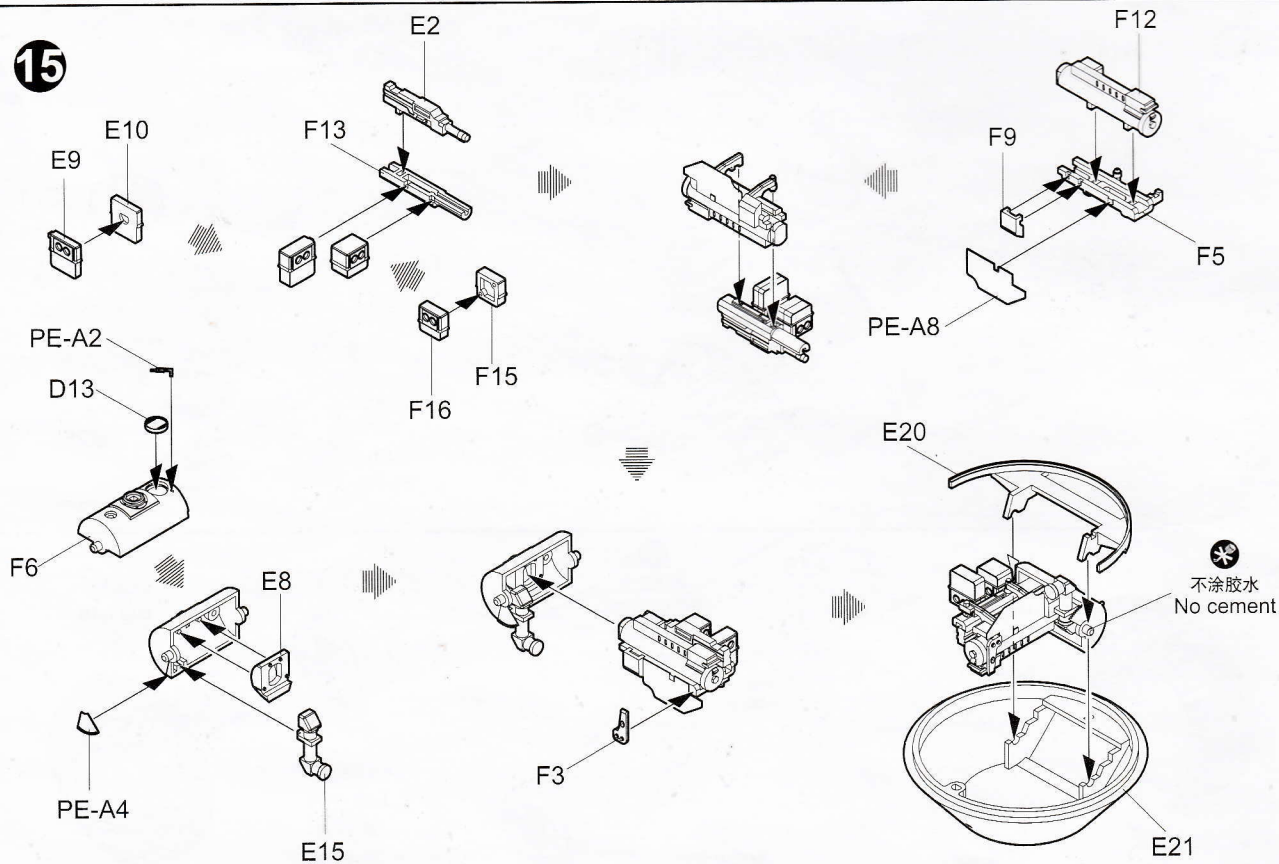
13



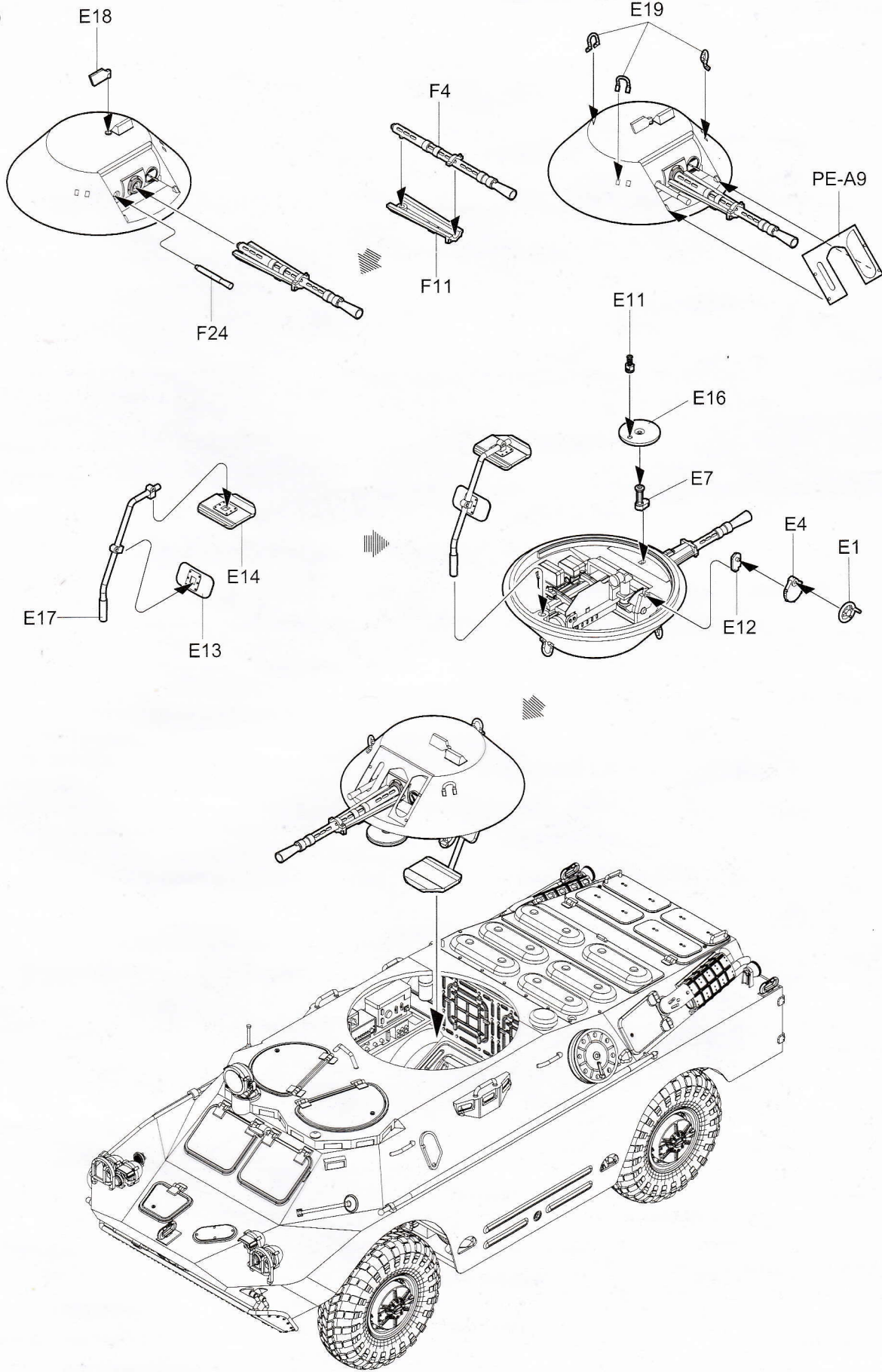
14



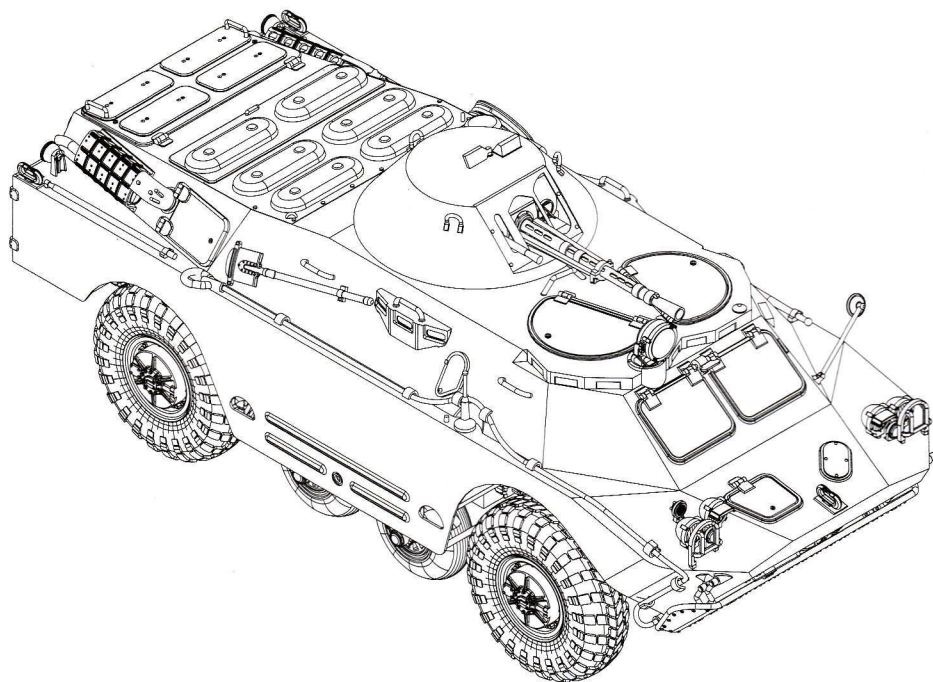
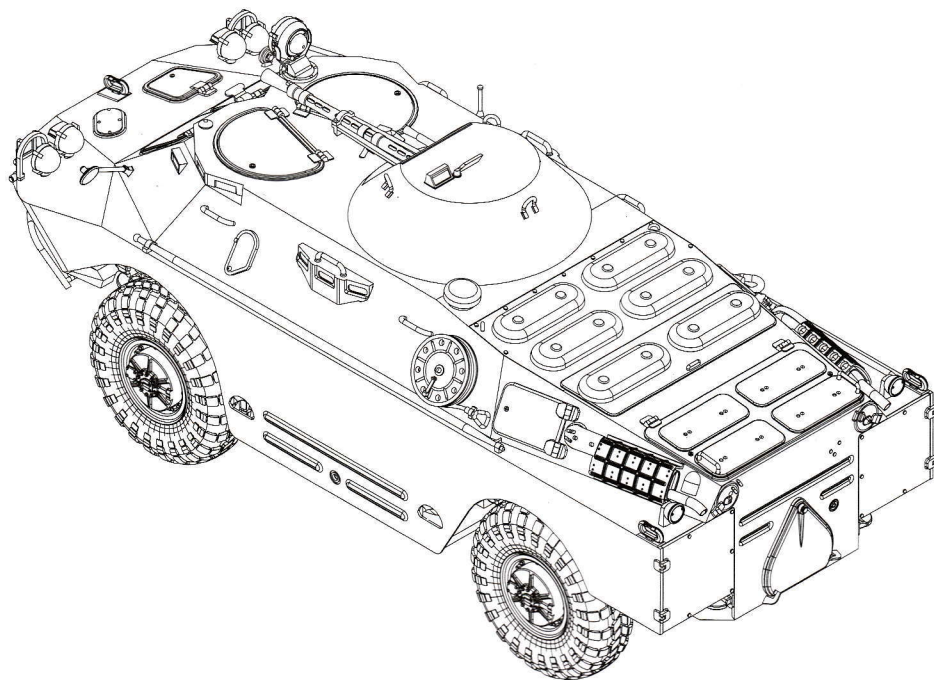
15



16



《完成》
Finish

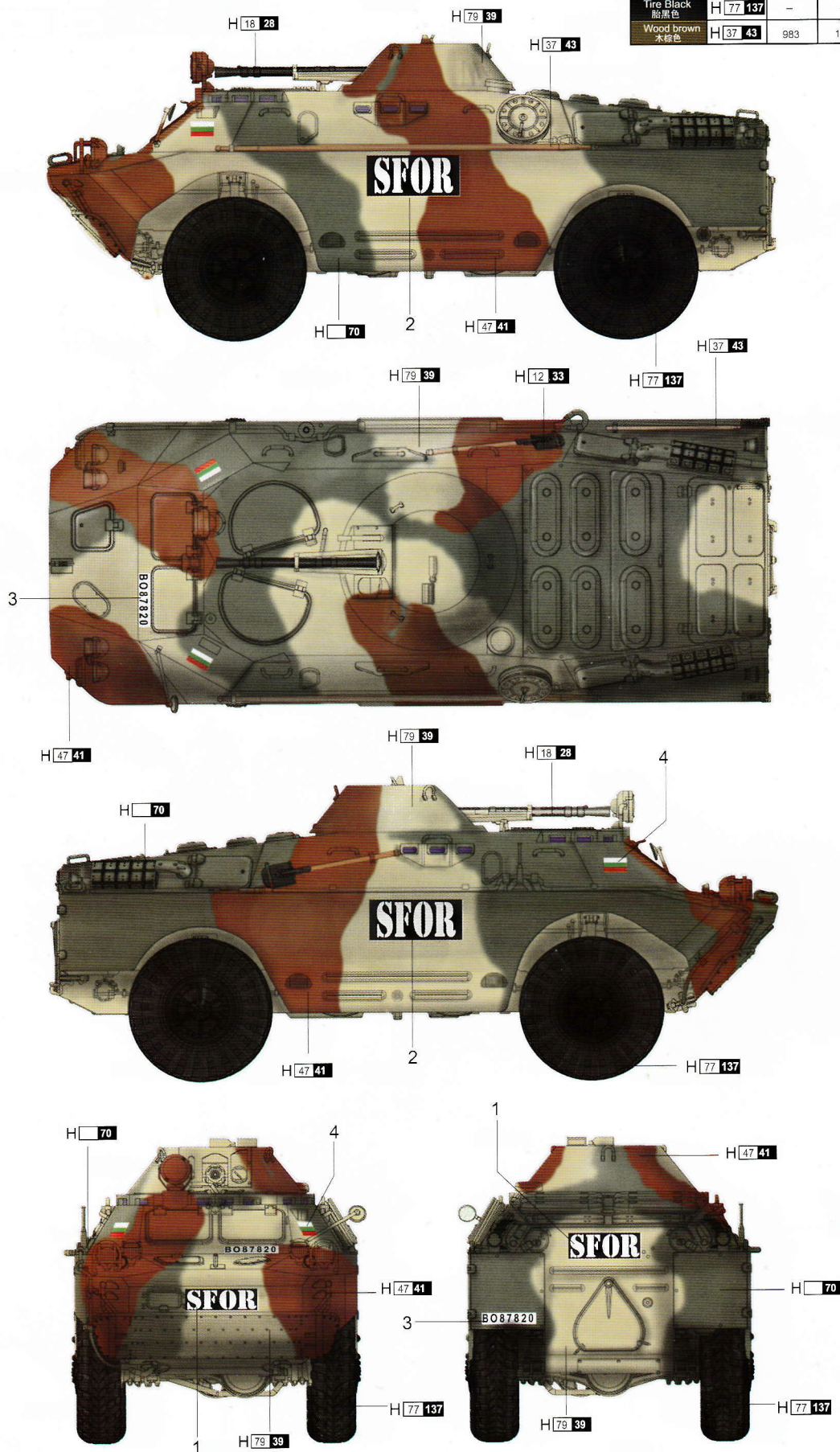


涂装同标贴指示

Painting & Marking guide

PAINT REFERENCE COLOUR

Color	Mr.Hobby	Vallejo	Model Master	Tamiya	Humbrol
Red brown 红棕色	H 47 41	984	-	XF64	160
Dark yellow 沙黄色	H 79 39	824	-	XF59	93
Steel/Metal (Black) 战车漆	H 70	-	-	-	-
Steel/Metal (Black) 黑铁色	H 18 28	864	1402	-	-
Tire Black 胎黑色	H 77 137	-	-	-	-
Wood brown 木棕色	H 37 43	993	1701	-	186



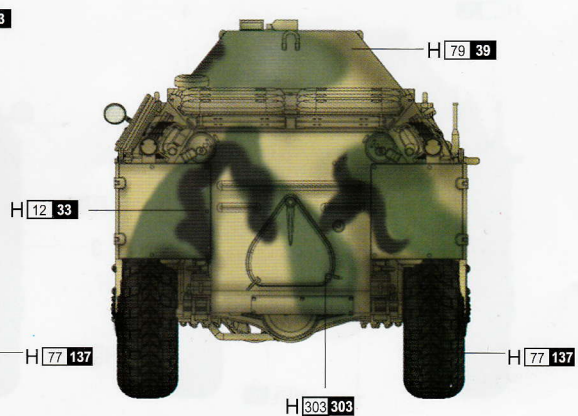
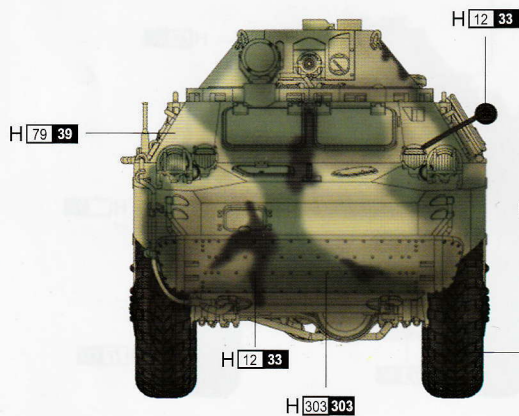
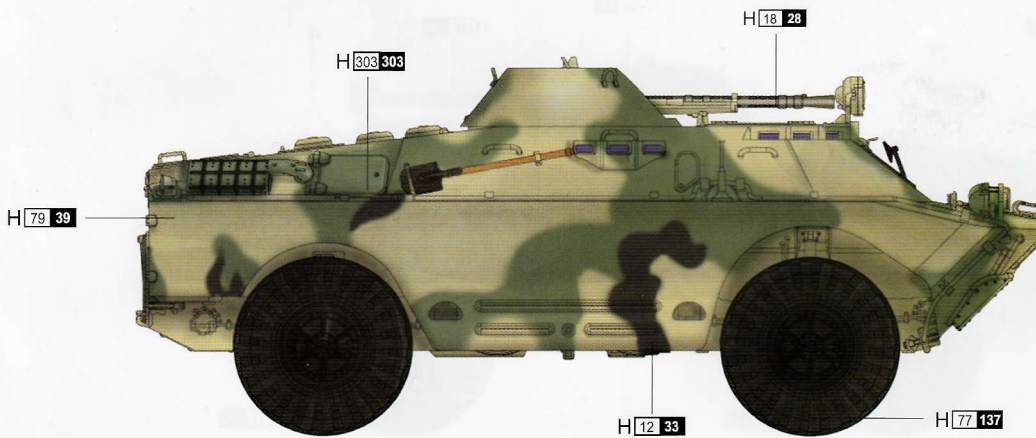
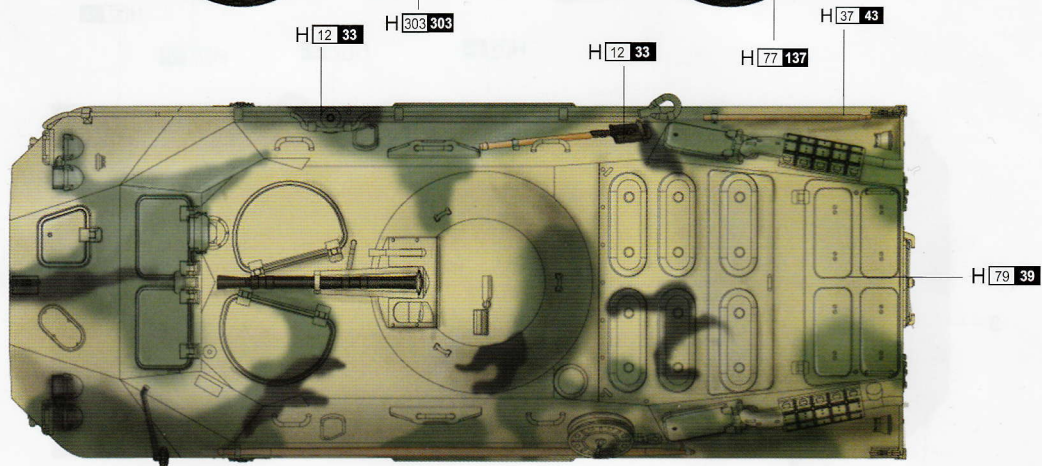
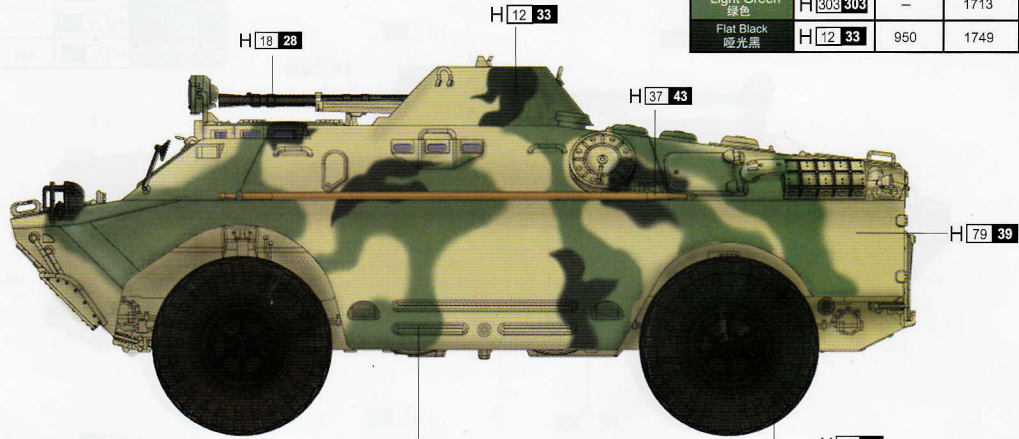
H AQUEOUS HOBBY COLOR Mr. COLOR

涂装同标贴指示

Painting & Marking guide

PAINT REFERENCE COLOUR

Color	Mr.Hobby	Vallejo	Model Master	Tamiya	Humbrol
Metal Black 黑铁色	H 18 28	864	1402	—	—
Dark Yellow 沙黄色	H 79 39	842	—	XF59	93
Tire Black 胎黑色	H 77 137	—	—	—	—
Light Green 绿色	H 303 303	—	1713	XF20	117
Flat Black 哑光黑	H 12 33	950	1749	XF1	33



H AQUEOUS HOBBY COLOR

Mr. COLOR