



# 1/35 SCALE GERMAN TANK Sd.Kfz.173

## JAGDPANTHER G2

### ASSEMBLY ICONS



OPTIONAL  
选择



CEMENT  
膠水



DO NOT CEMENT  
不使用膠水



INSTANT CEMENT  
瞬間接著劑



BEND  
彎折



MAKE 2  
製作2組



OPEN HOLE  
鑽孔



REMOVE  
切除



BE CAREFUL  
注意



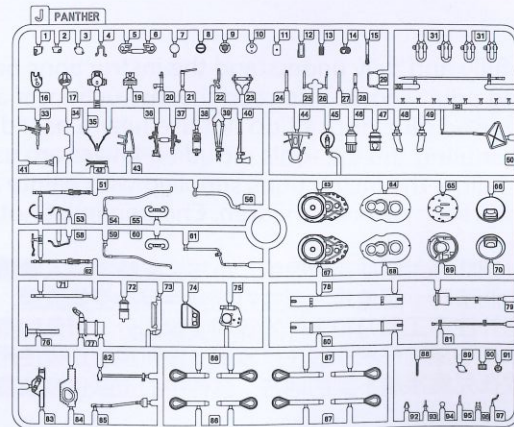
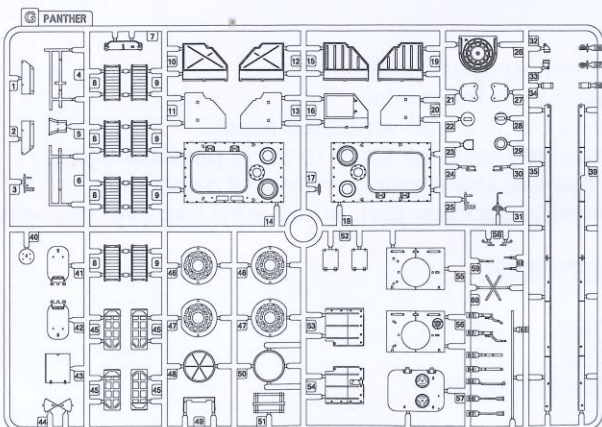
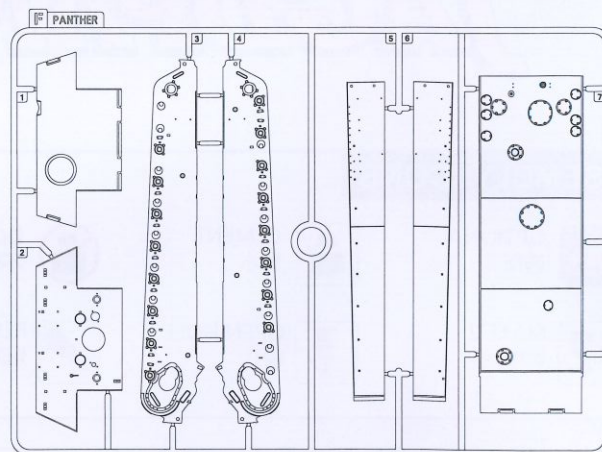
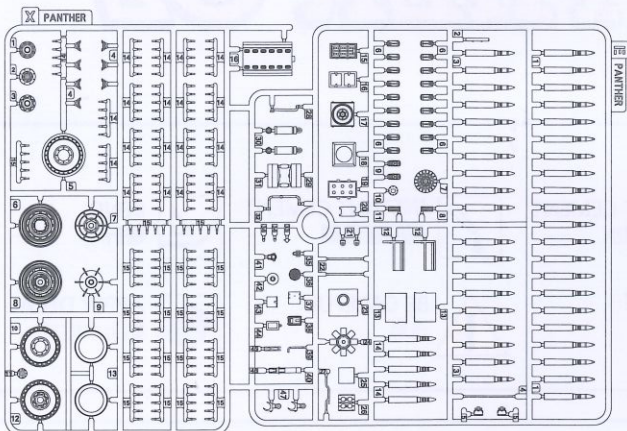
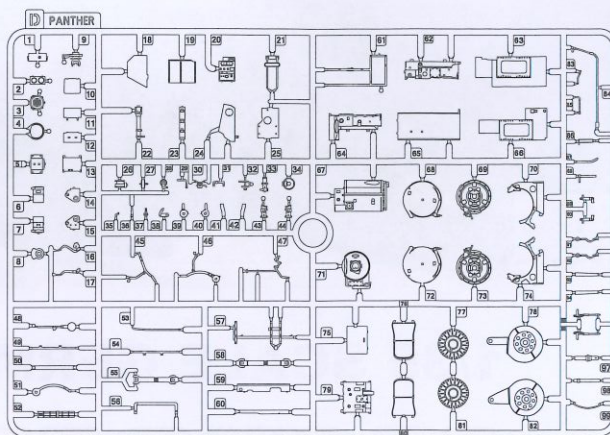
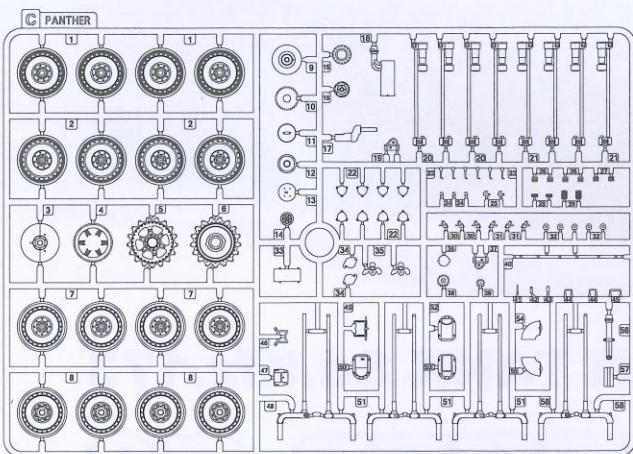
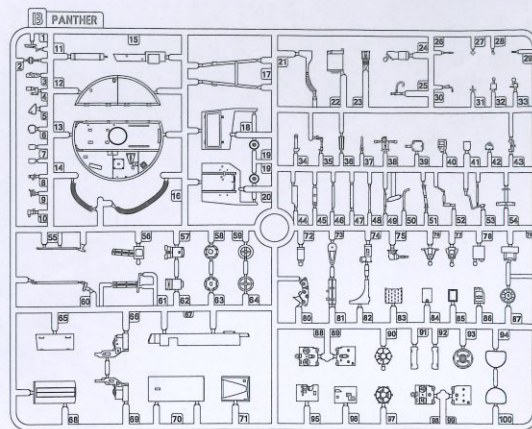
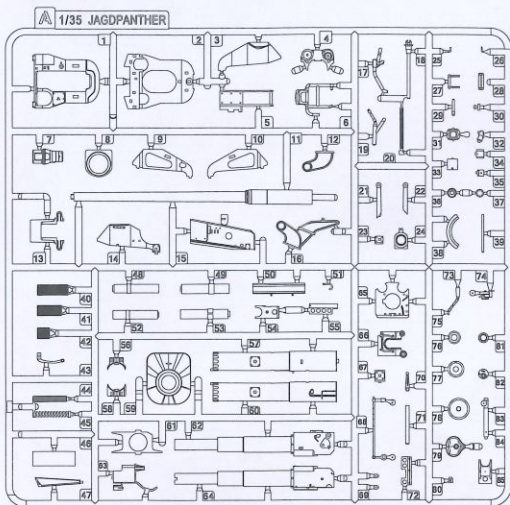
APPLY DECAL  
貼上水貼紙

### CAUTION!

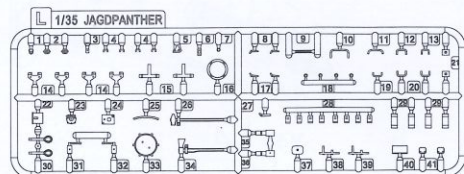
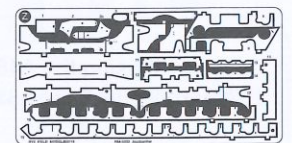
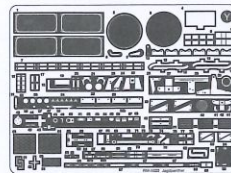
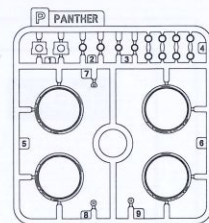
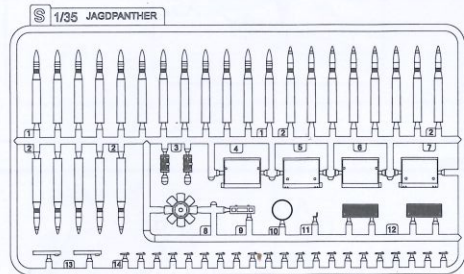
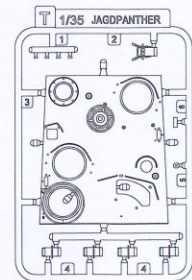
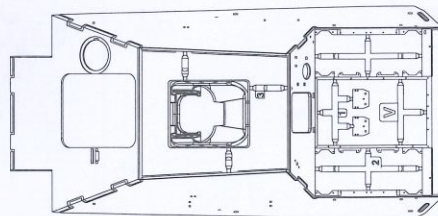
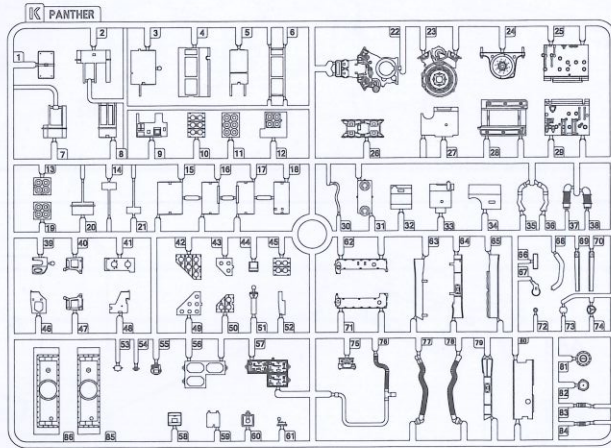
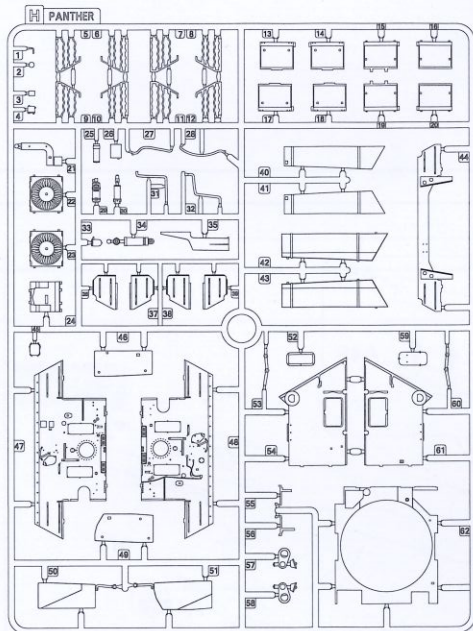
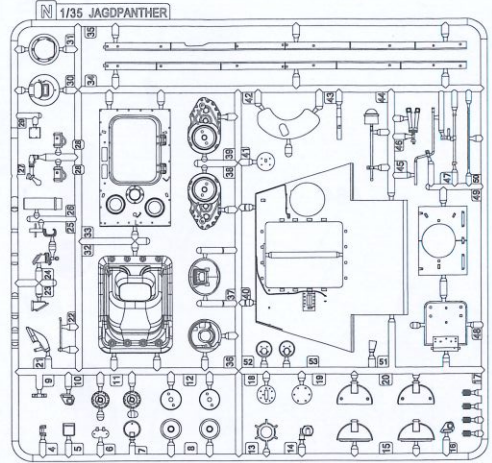
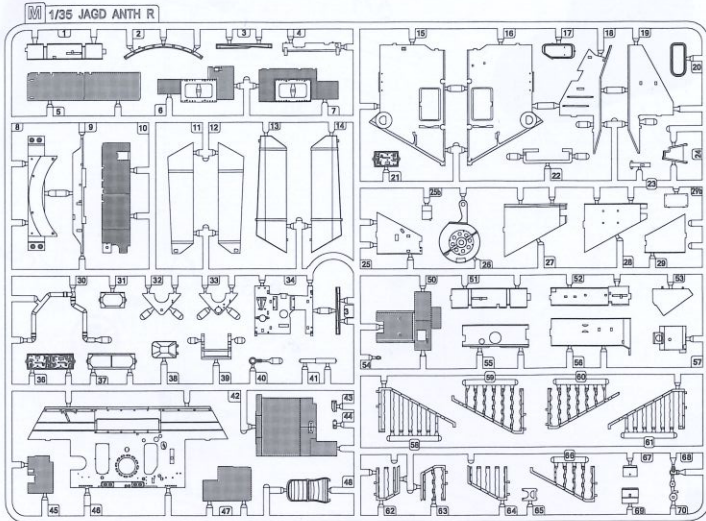
Read carefully and fully understand the instructions before commencing assembly.  
Supervising adult should also read the instructions if a child assembles the model.  
When you used glue or paint, do not use near a naked flame, and use in a well-ventilated room.  
When assembling this kit, tools including knives are used. Extra care should be taken to avoid personal injury.  
Read and follow the instructions supplied with paints and/ or cement. Use plastic cement and paints only.  
Keep out of reach of small children. Children must not be allowed to suck any part, or pull vinyl bag over the head.

在裝配前仔細閱讀說明並完全理解。小孩裝配時需成人看護且需仔細閱讀說明。  
使用膠水和油漆時，應遠離火源並打開窗戶保持空氣流通。  
製作時請格外注意工具刀和零件的鋒利尖銳部分，避免對身體造成傷害。  
在使用膠水和油漆前仔細閱讀注意事項，按照說明正確使用膠水和油漆。  
請將本品放在兒童接觸不到的地方，套件中的塑膠包裝袋會對兒童造成窒息的危險。

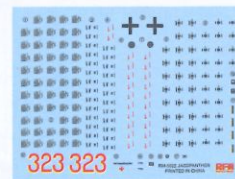
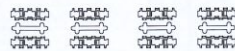
PARTS 部品图



**PARTS 部品图**



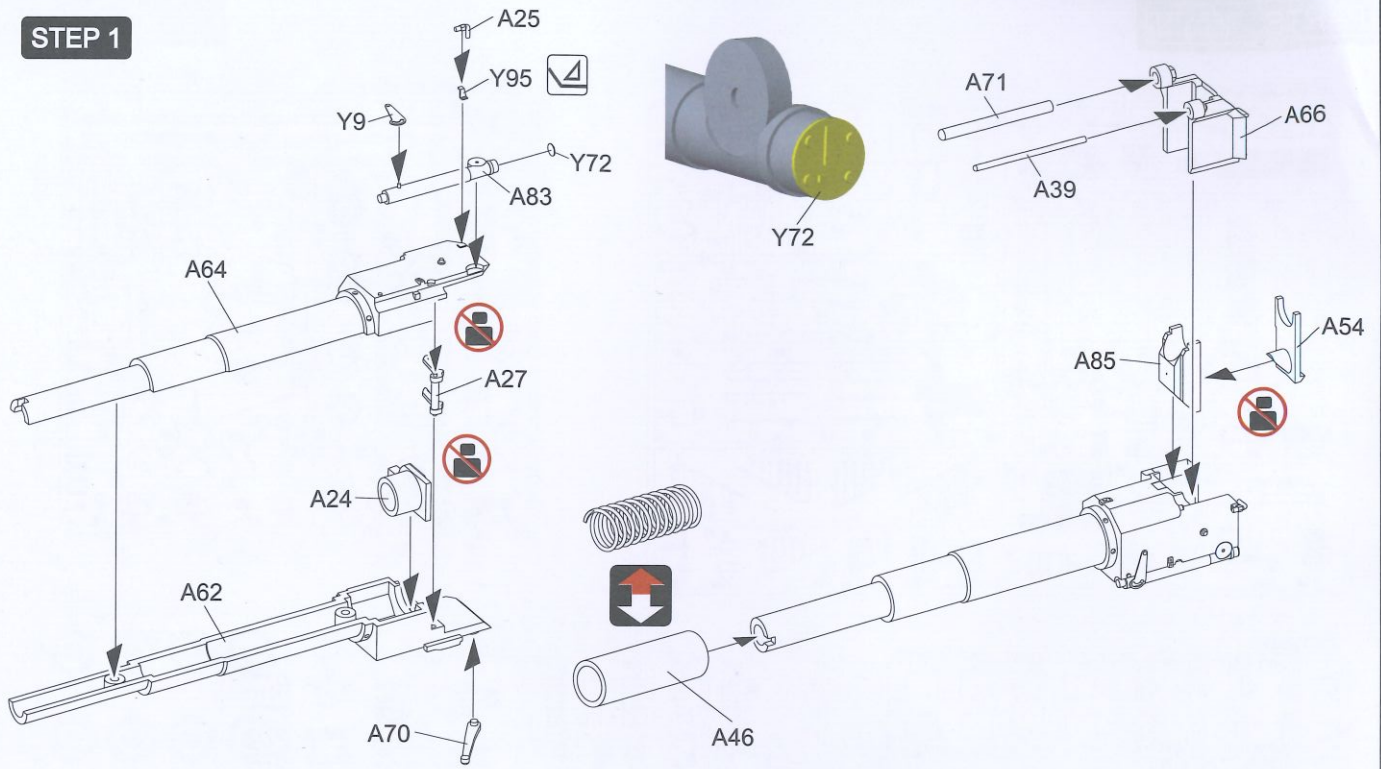
Track Links x190



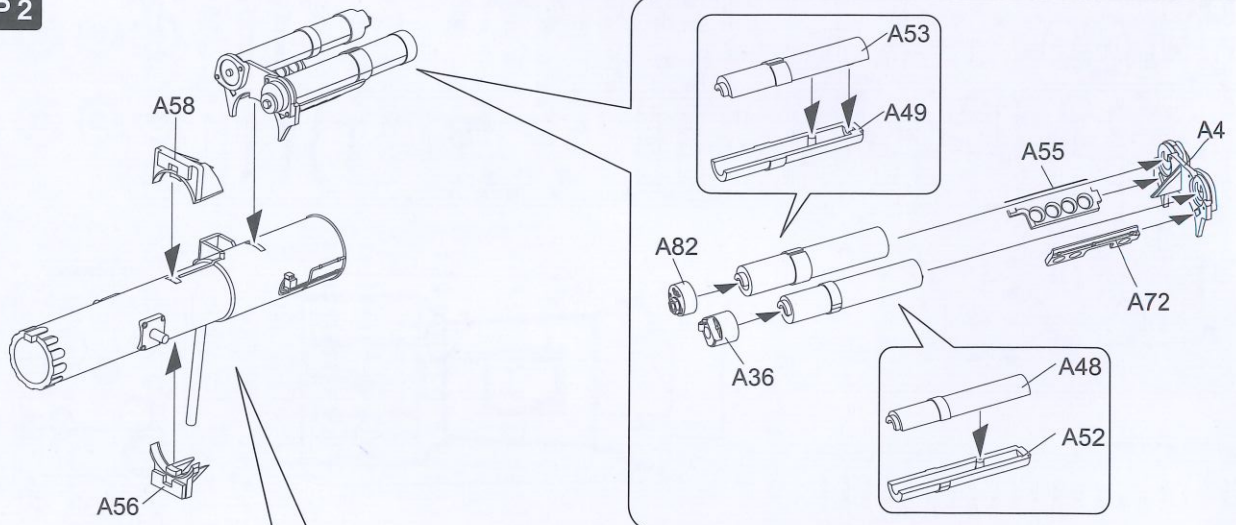
Metal Cable 1 40 cm

Metal Cable 2 21 cm

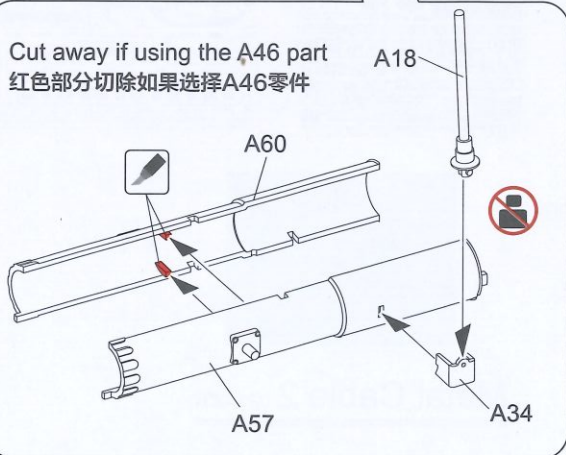
**STEP 1**



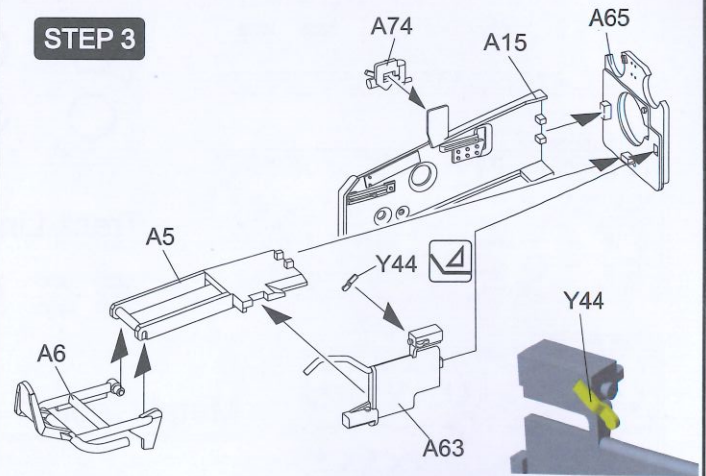
**STEP 2**



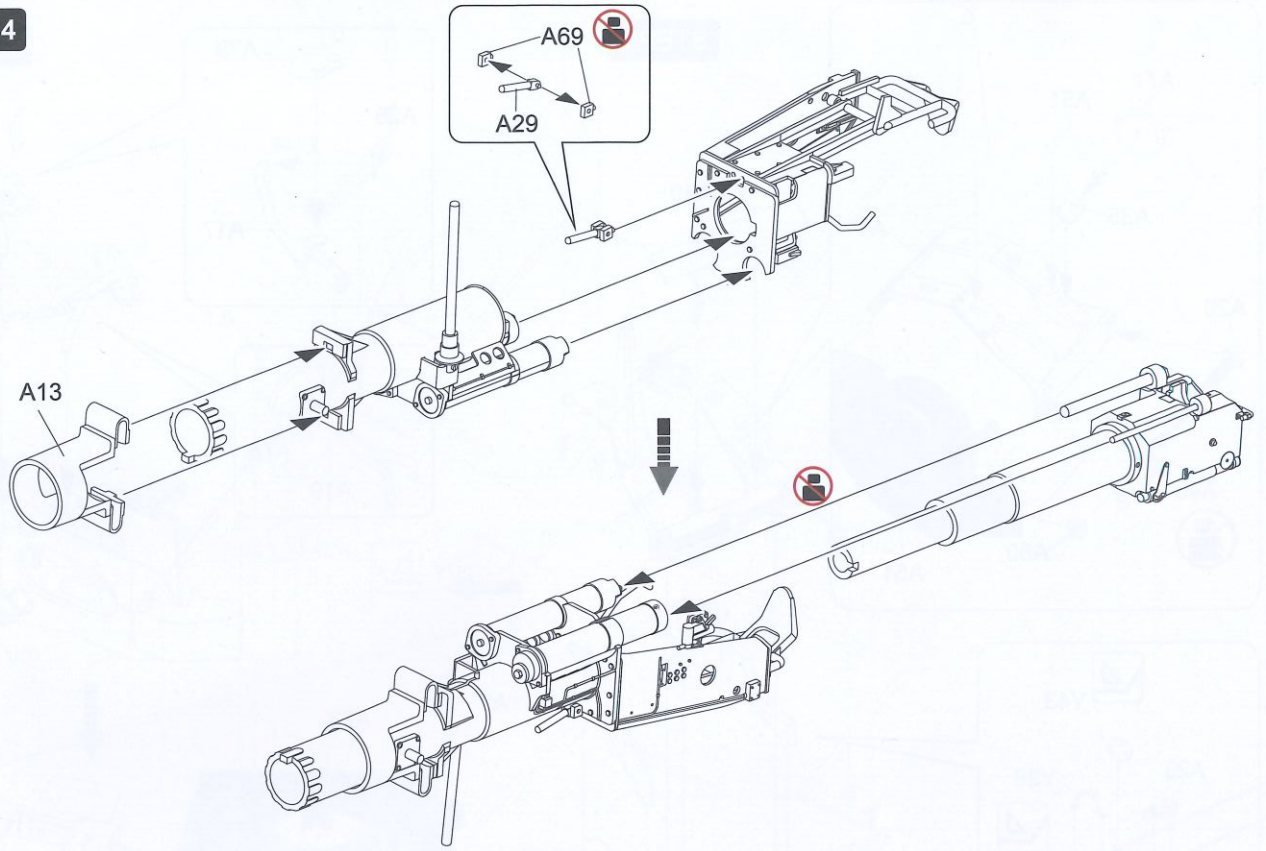
Cut away if using the A46 part  
红色部分切除如果选择A46零件



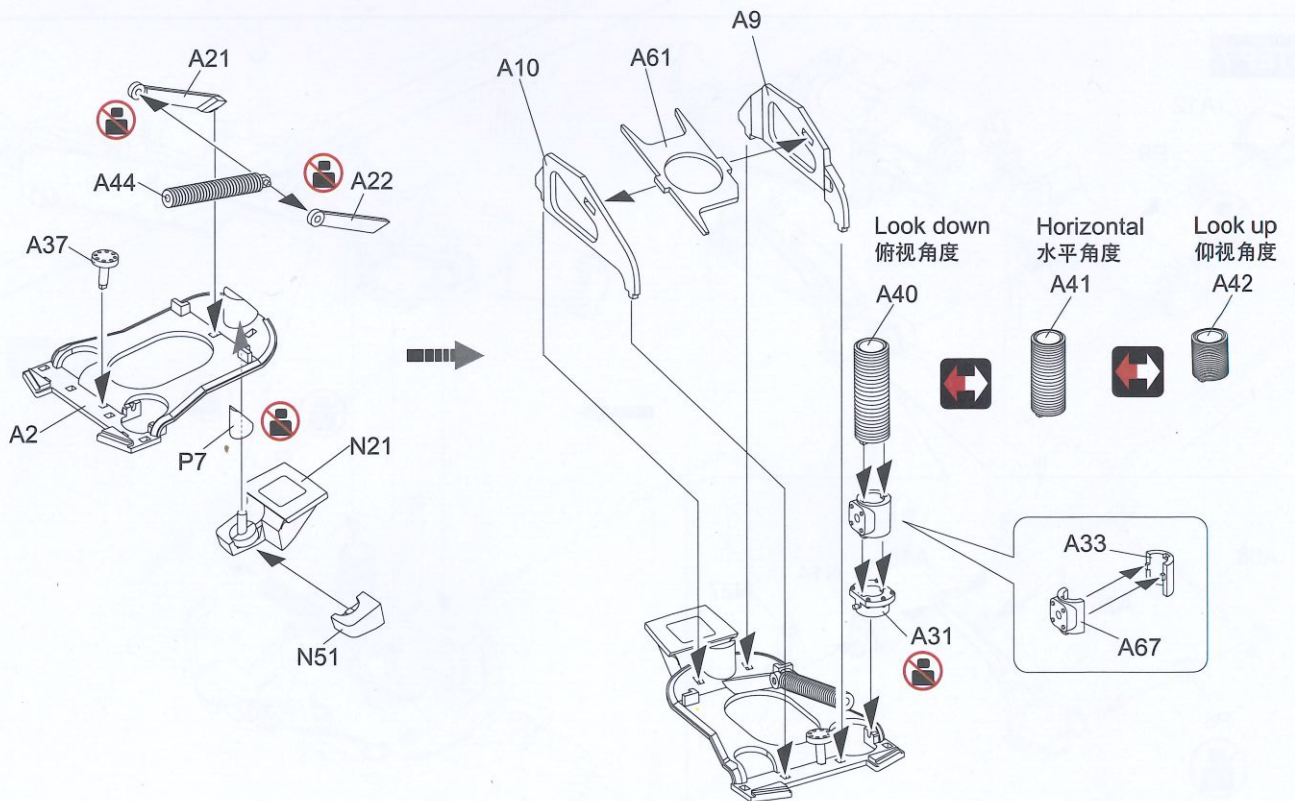
**STEP 3**



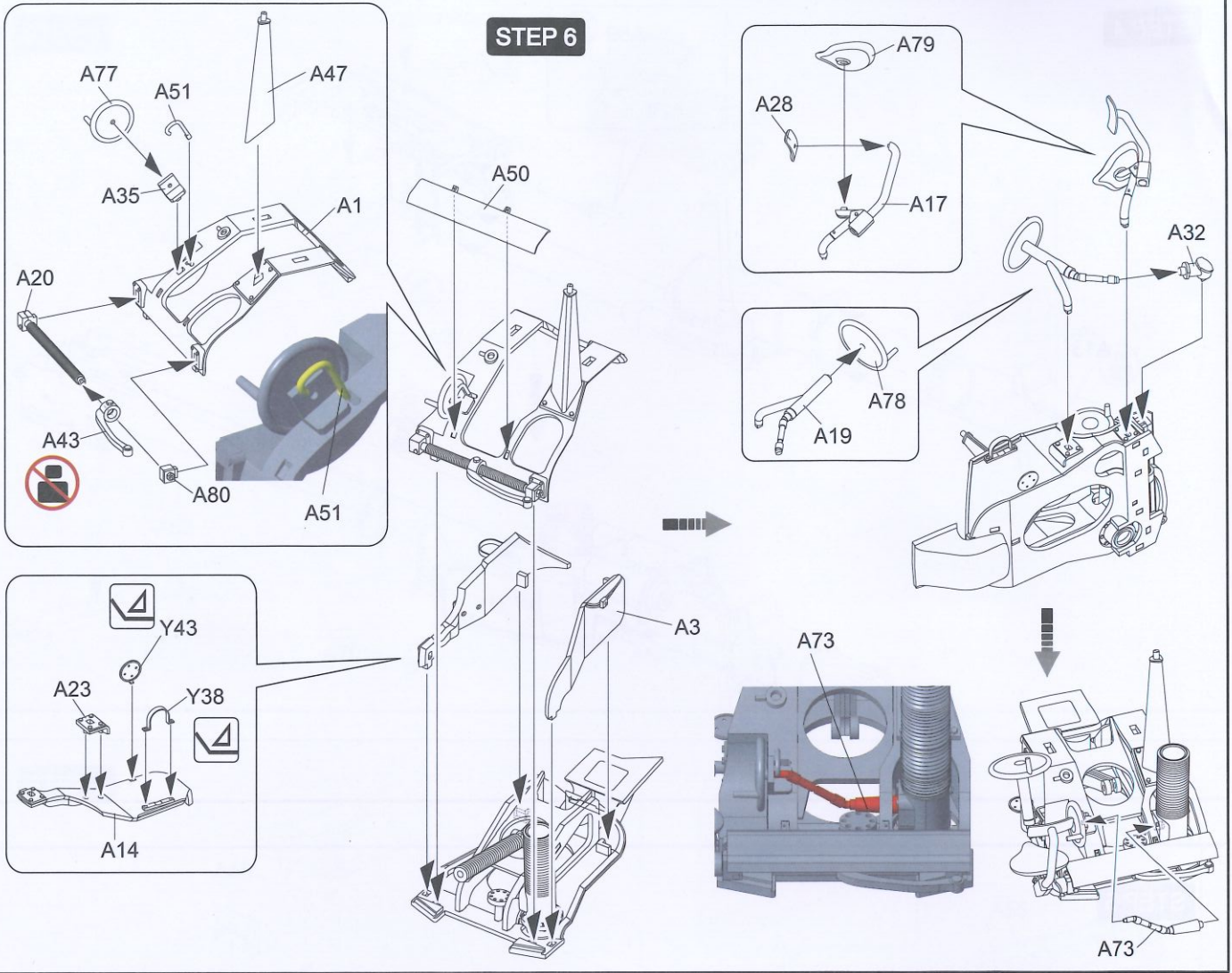
**STEP 4**



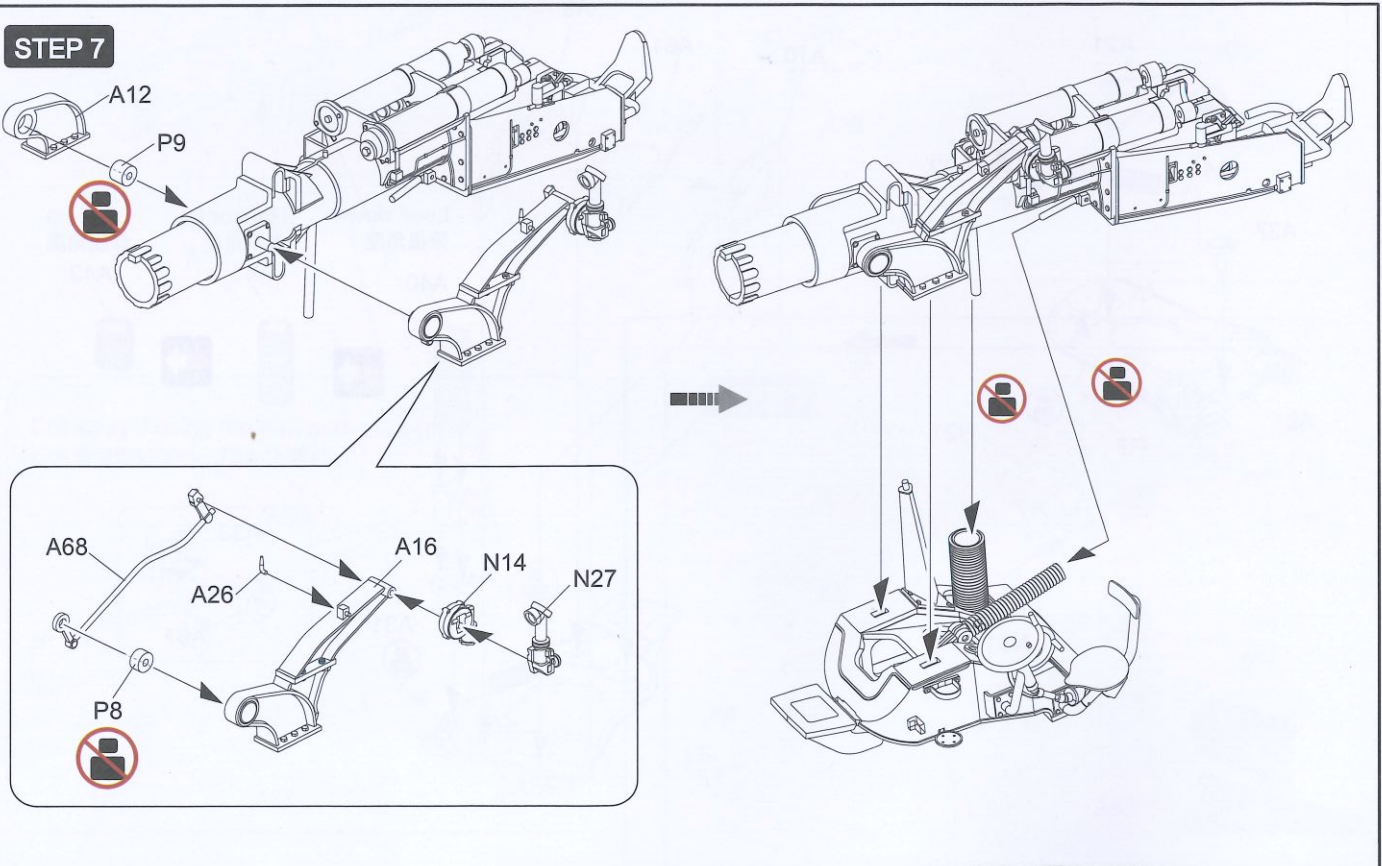
**STEP 5**



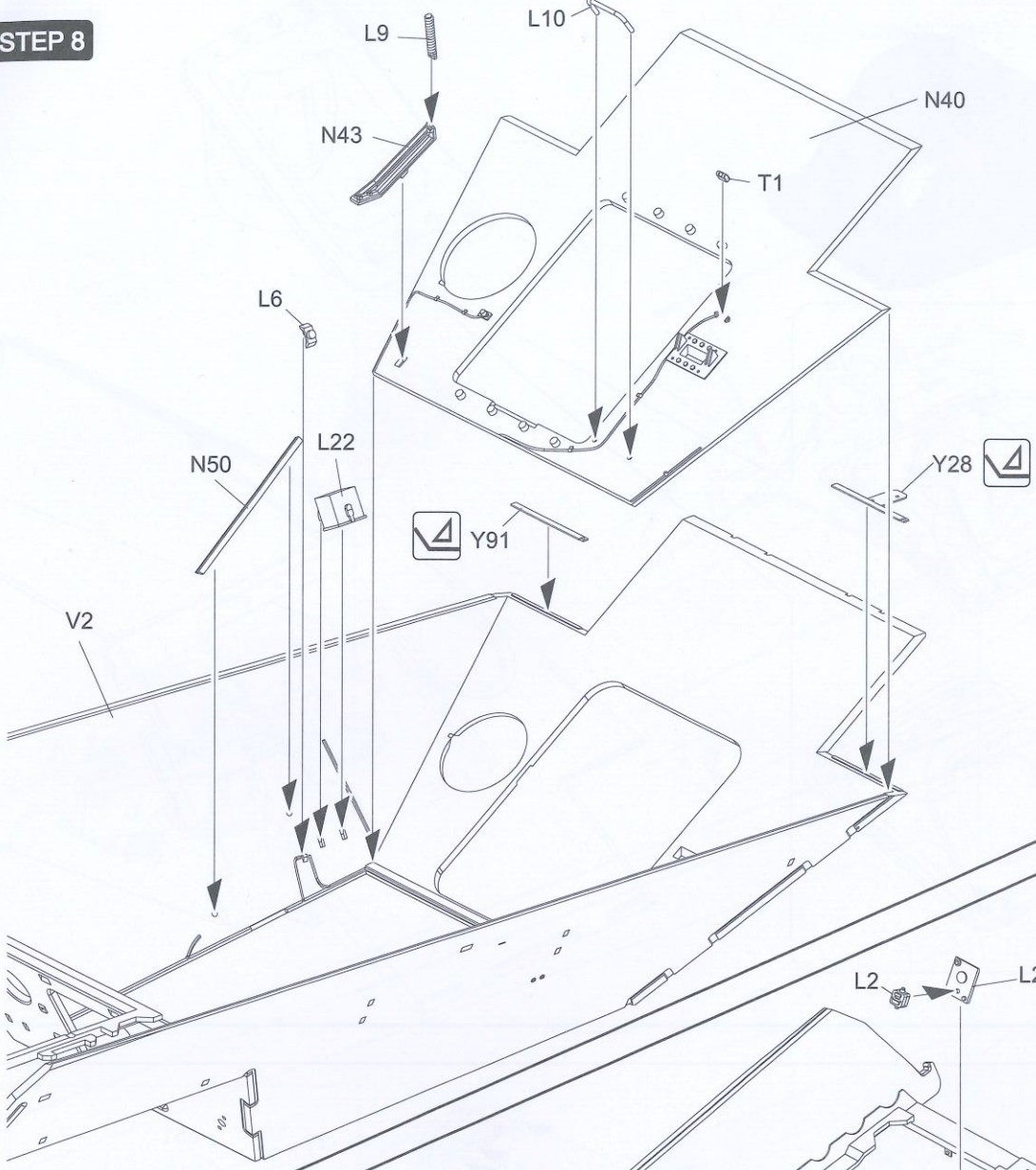
**STEP 6**



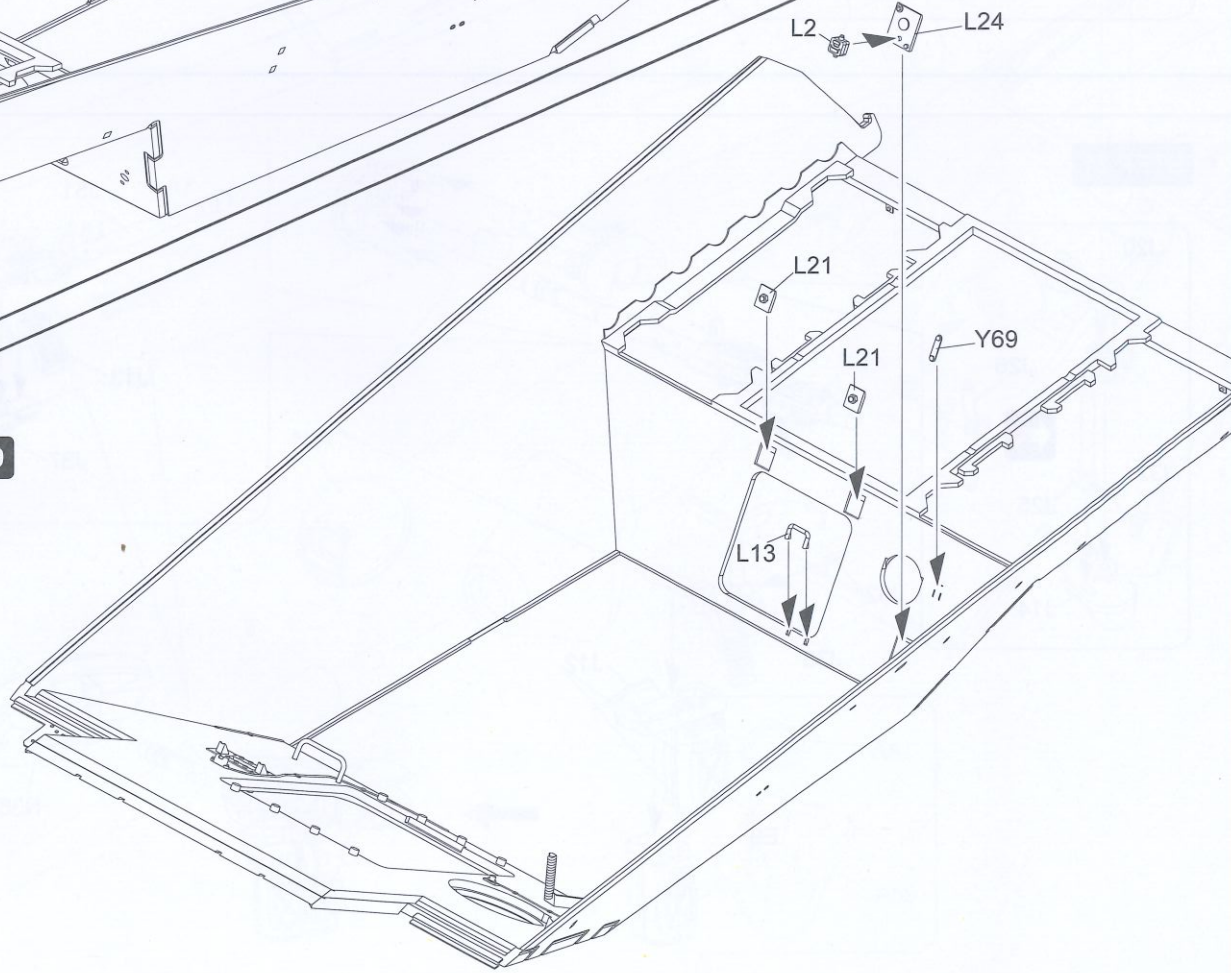
**STEP 7**



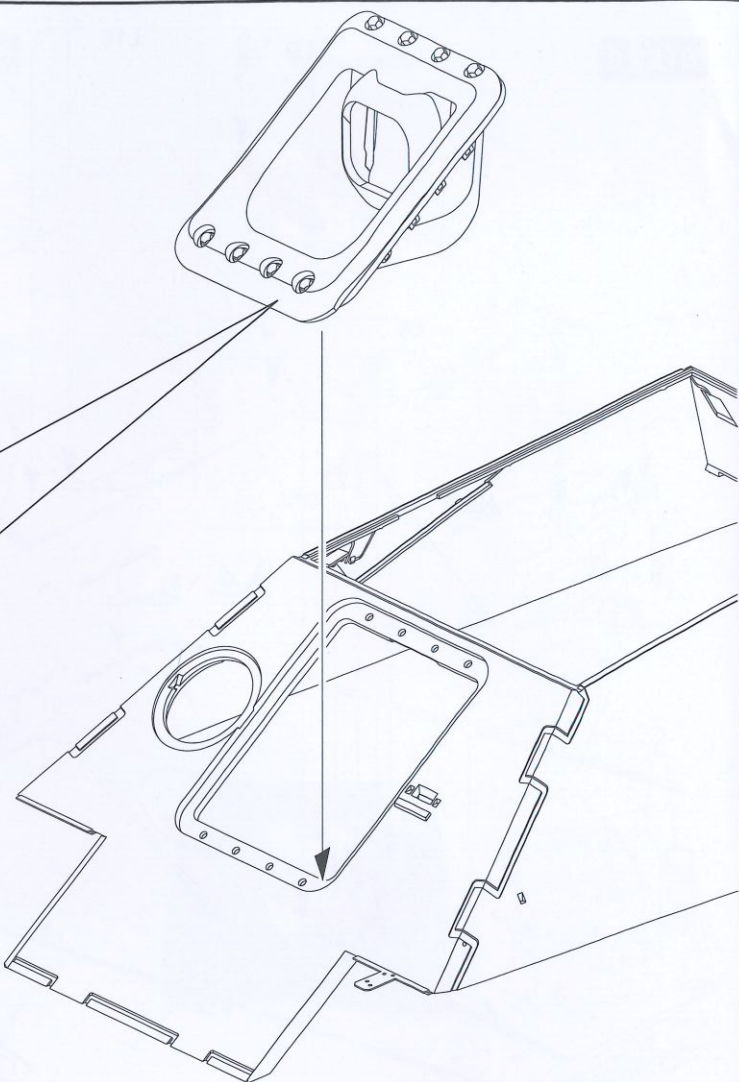
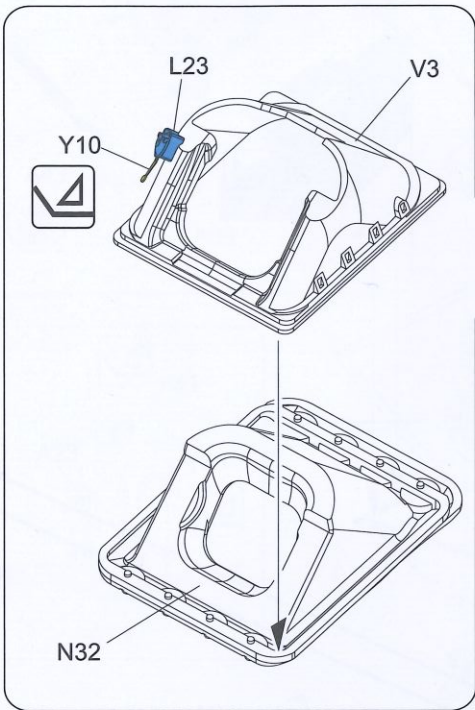
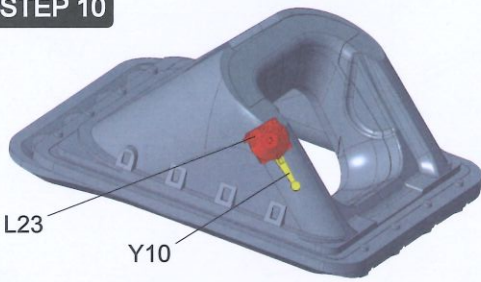
**STEP 8**



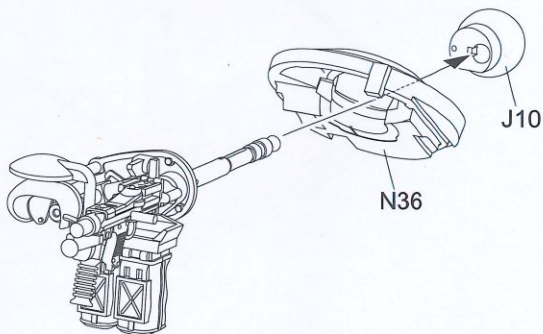
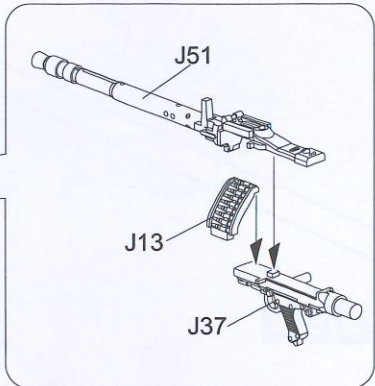
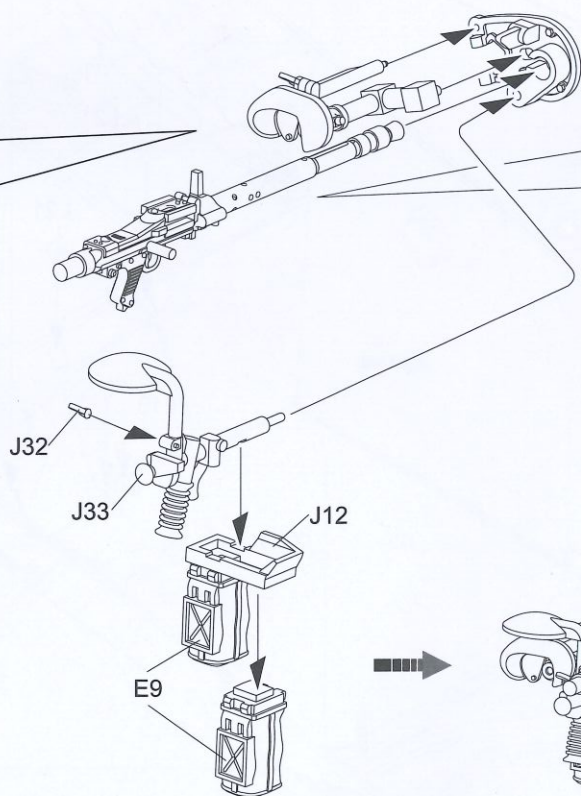
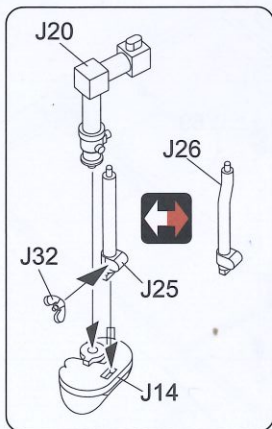
**STEP 9**



**STEP 10**



**STEP 11**

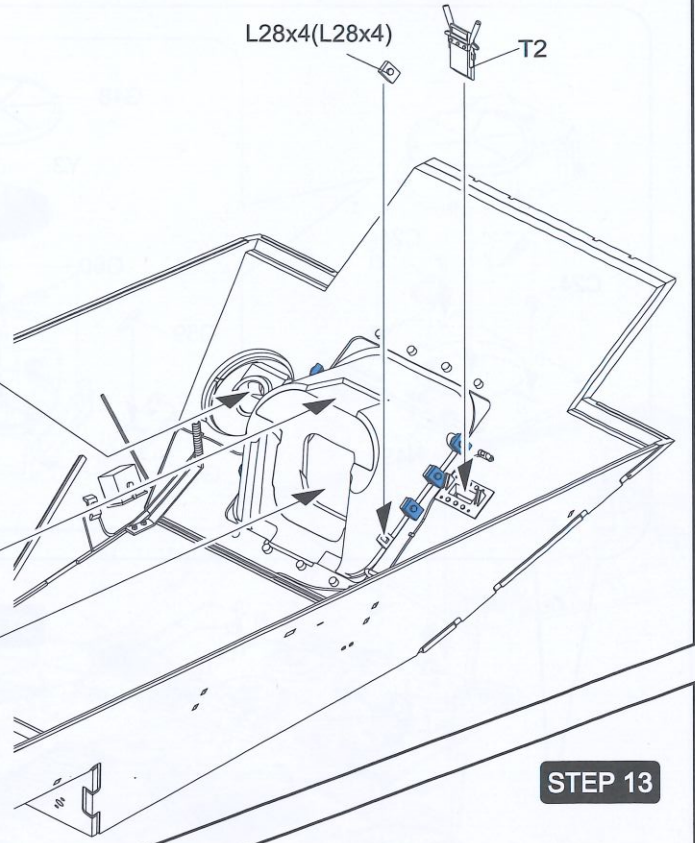
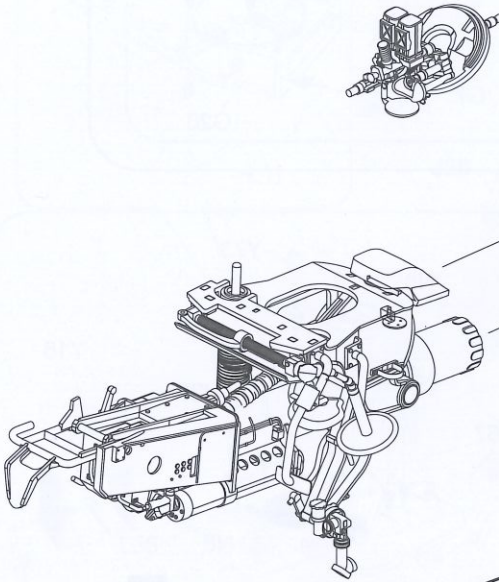




STEP 12

L28x4(L28x4)

T2



STEP 13

L40

A11

A76

Y30

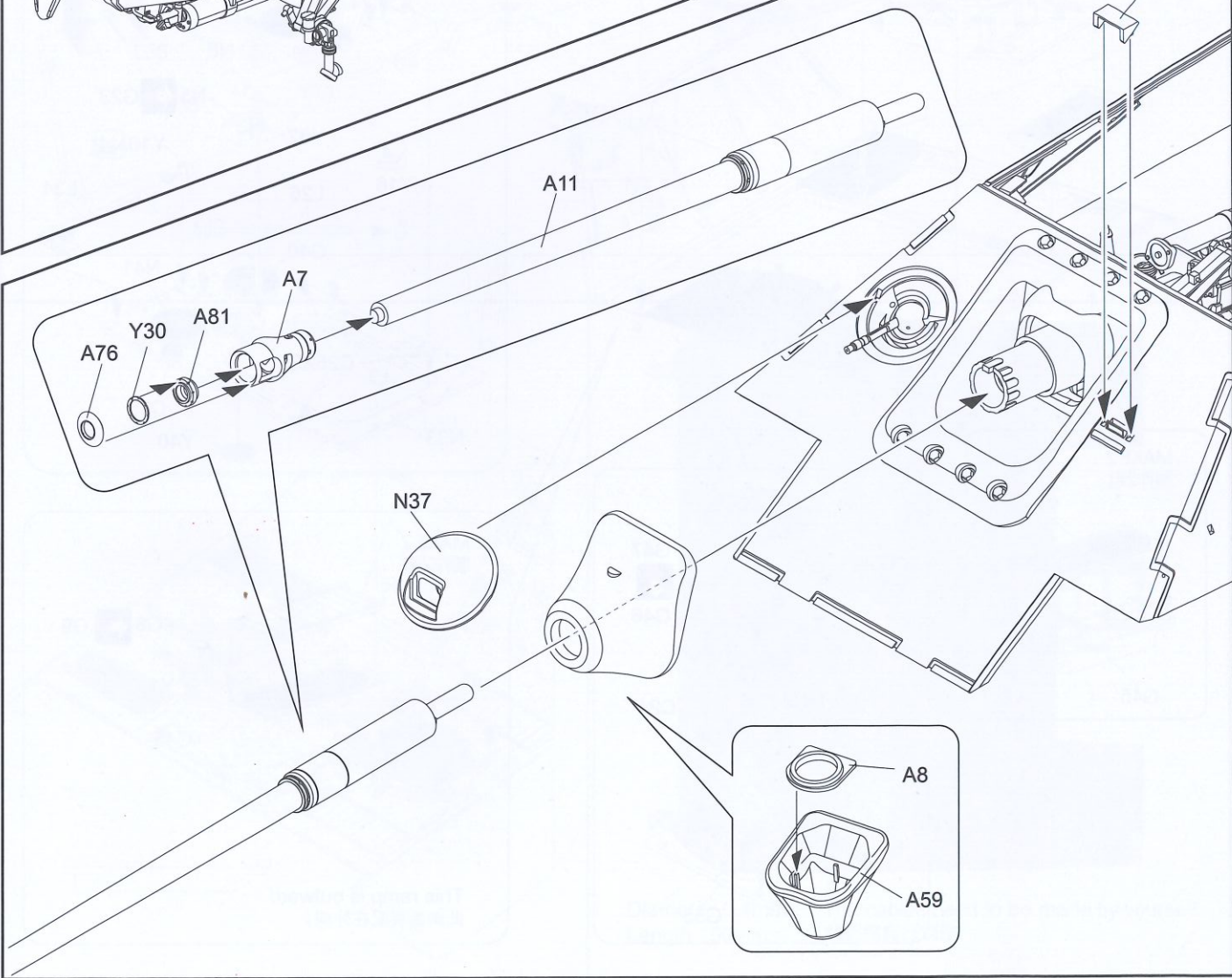
A81

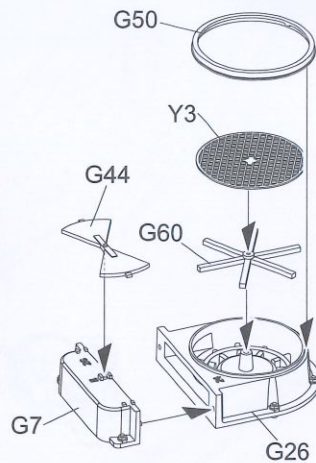
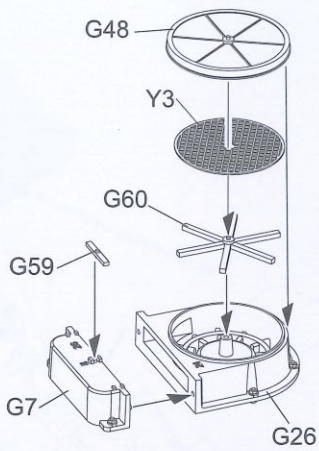
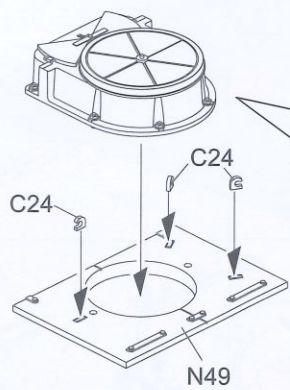
A7

N37

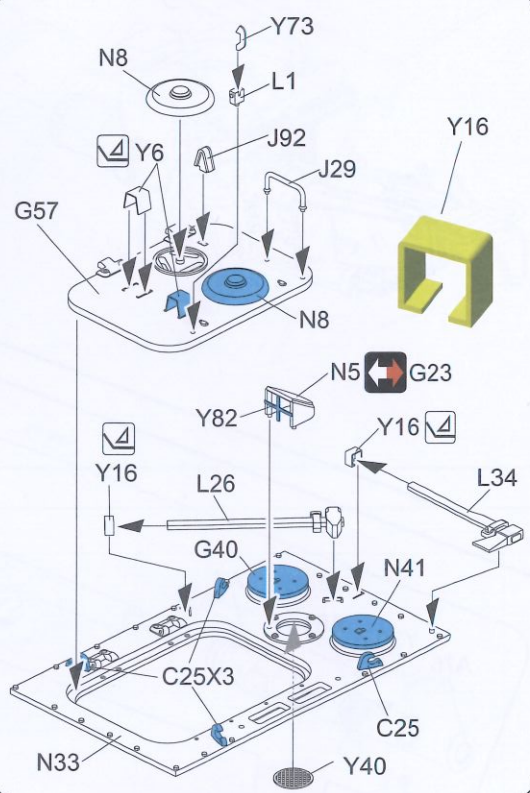
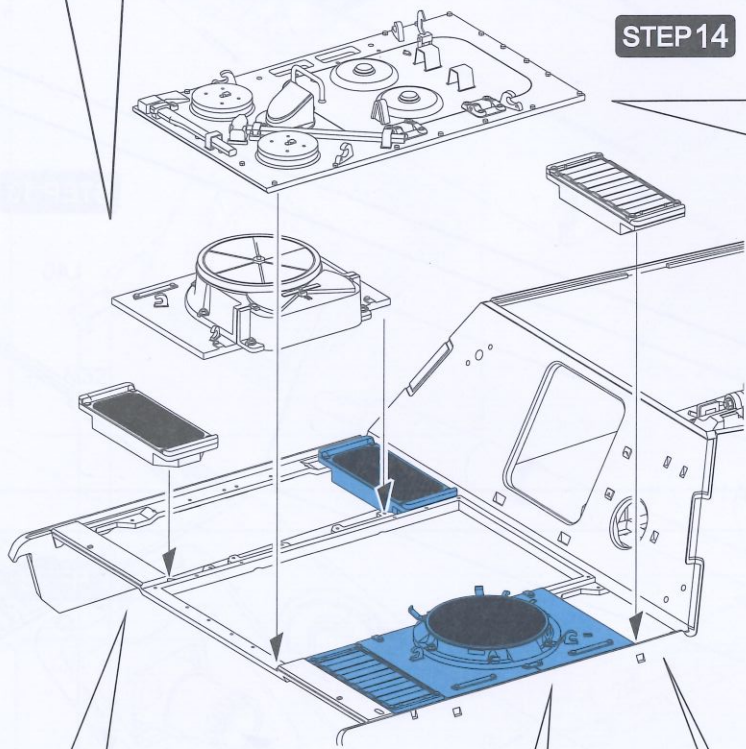
A8

A59

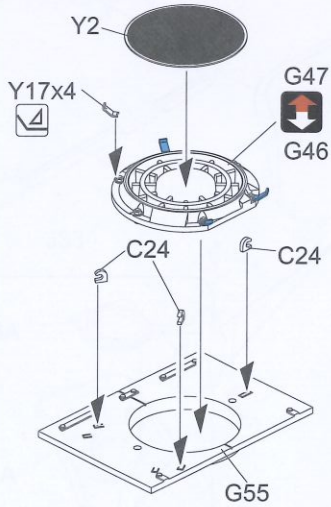
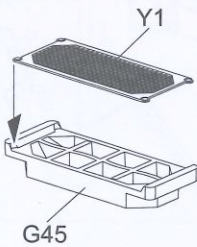




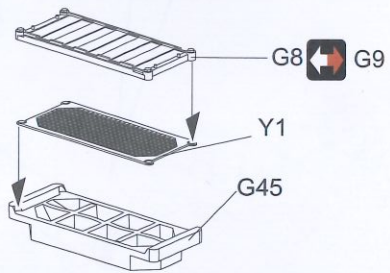
**STEP 14**



MAKE 2  
製作2組



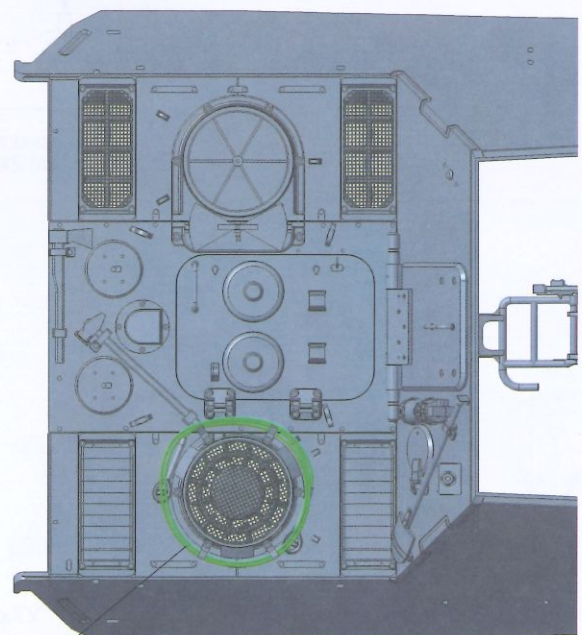
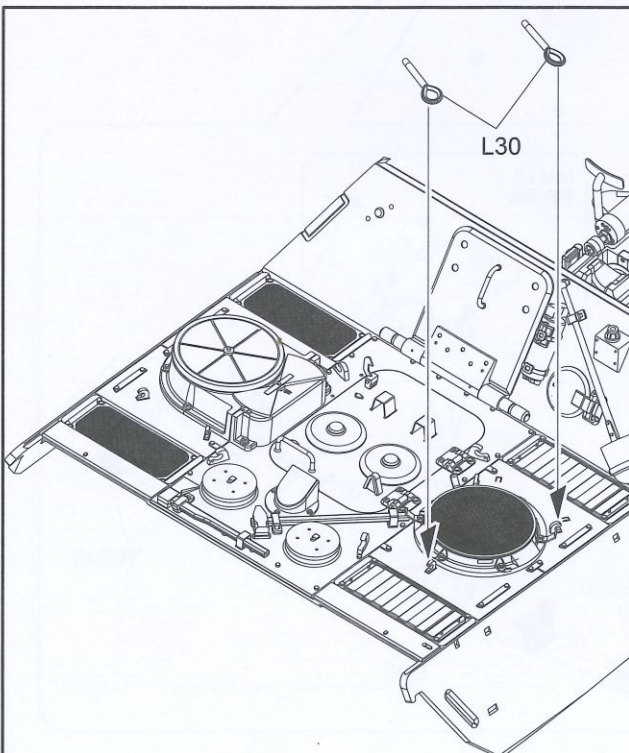
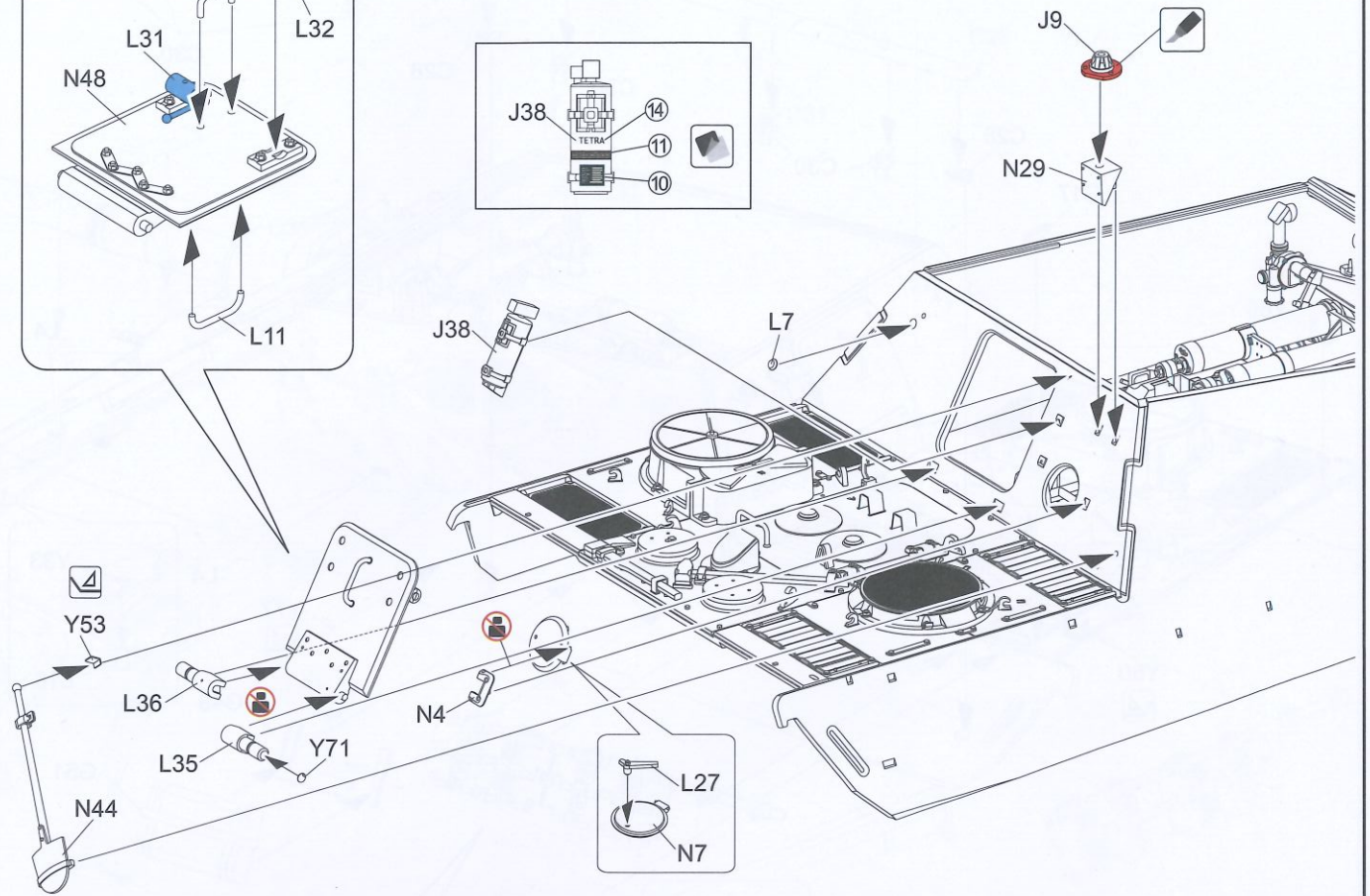
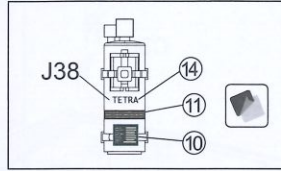
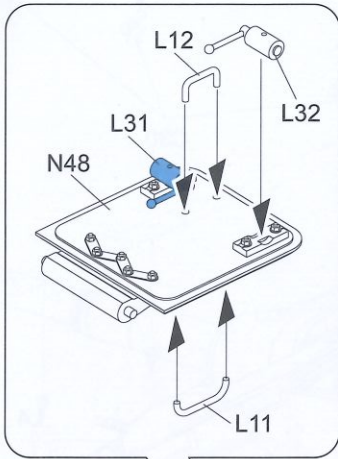
MAKE 2  
製作2組



This ramp is outward.  
此斜面裝配在外側。

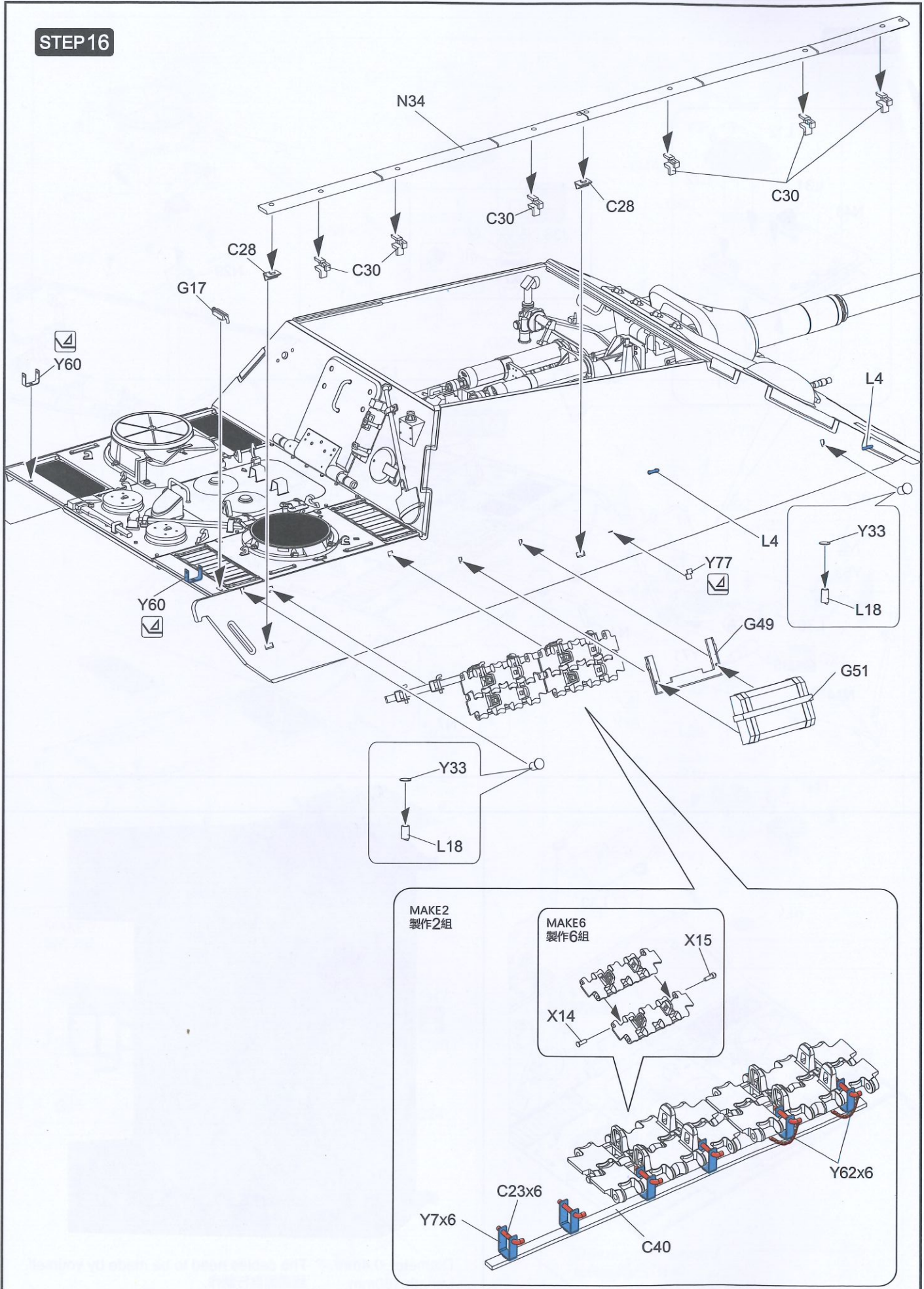


**STEP 15**

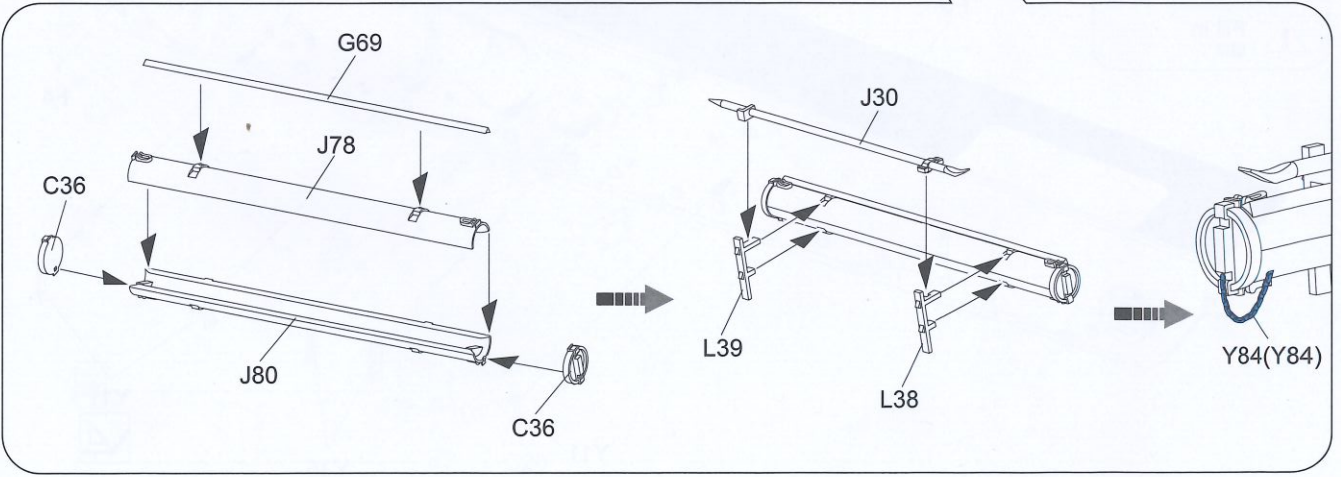
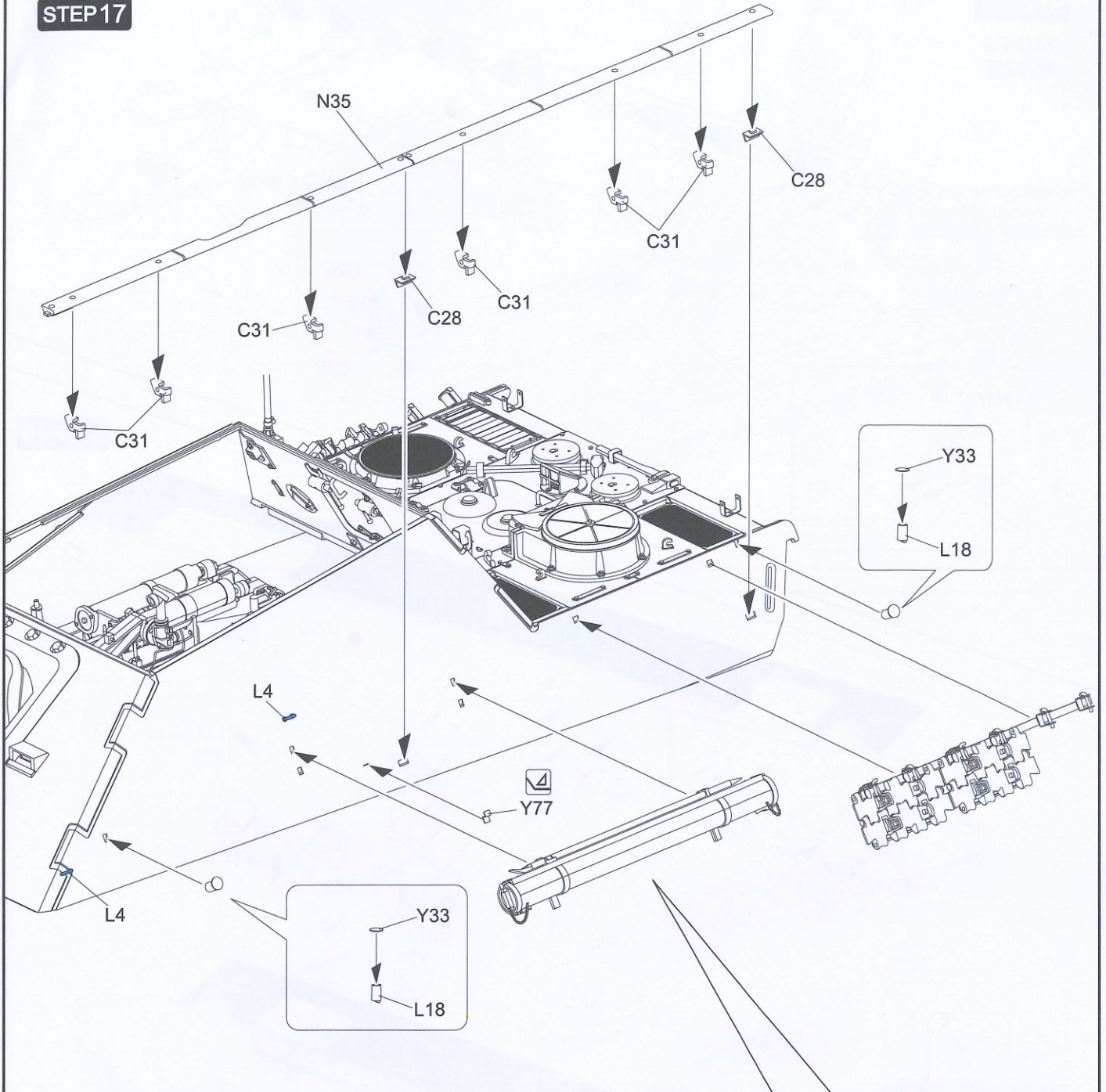


Diameter: 0.4mm    The cables need to be made by yourself.  
 Length: 160mm    线缆需自行制作。

**STEP 16**

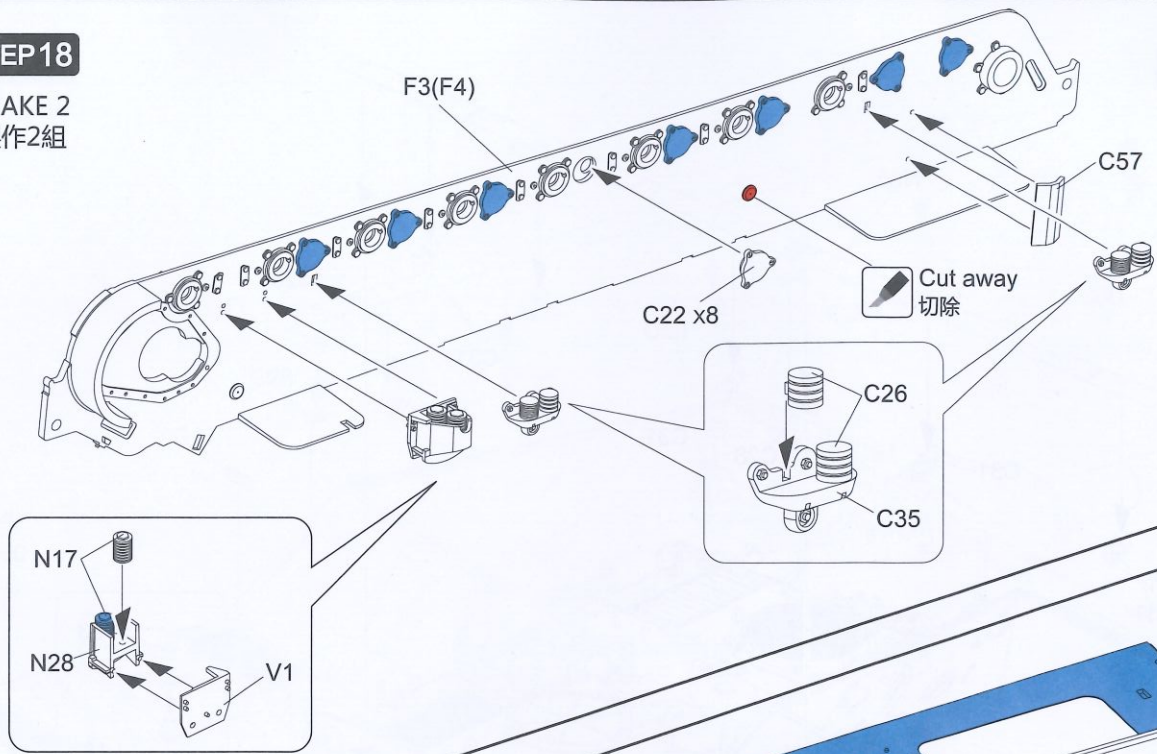


**STEP 17**

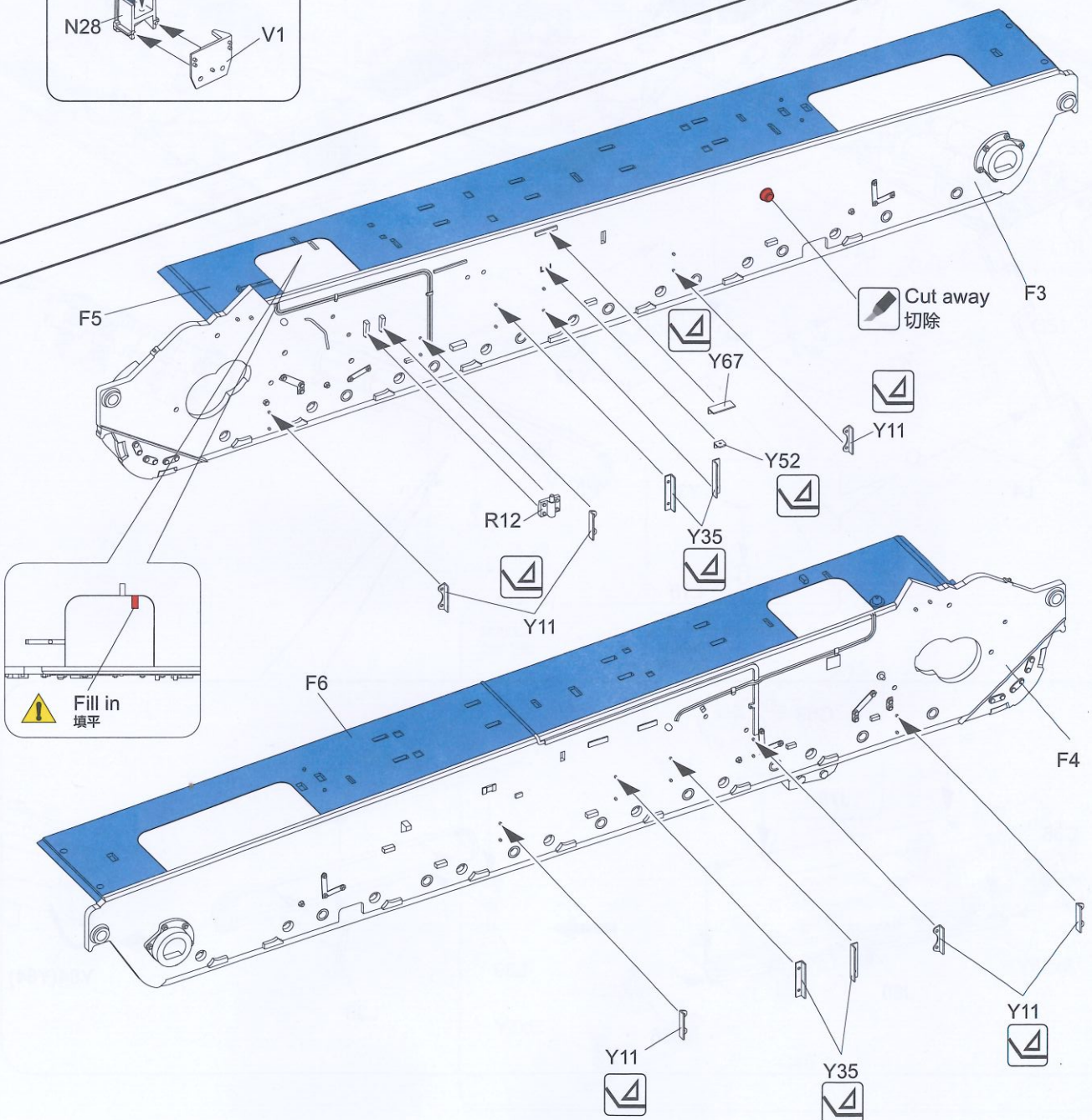


**STEP 18**

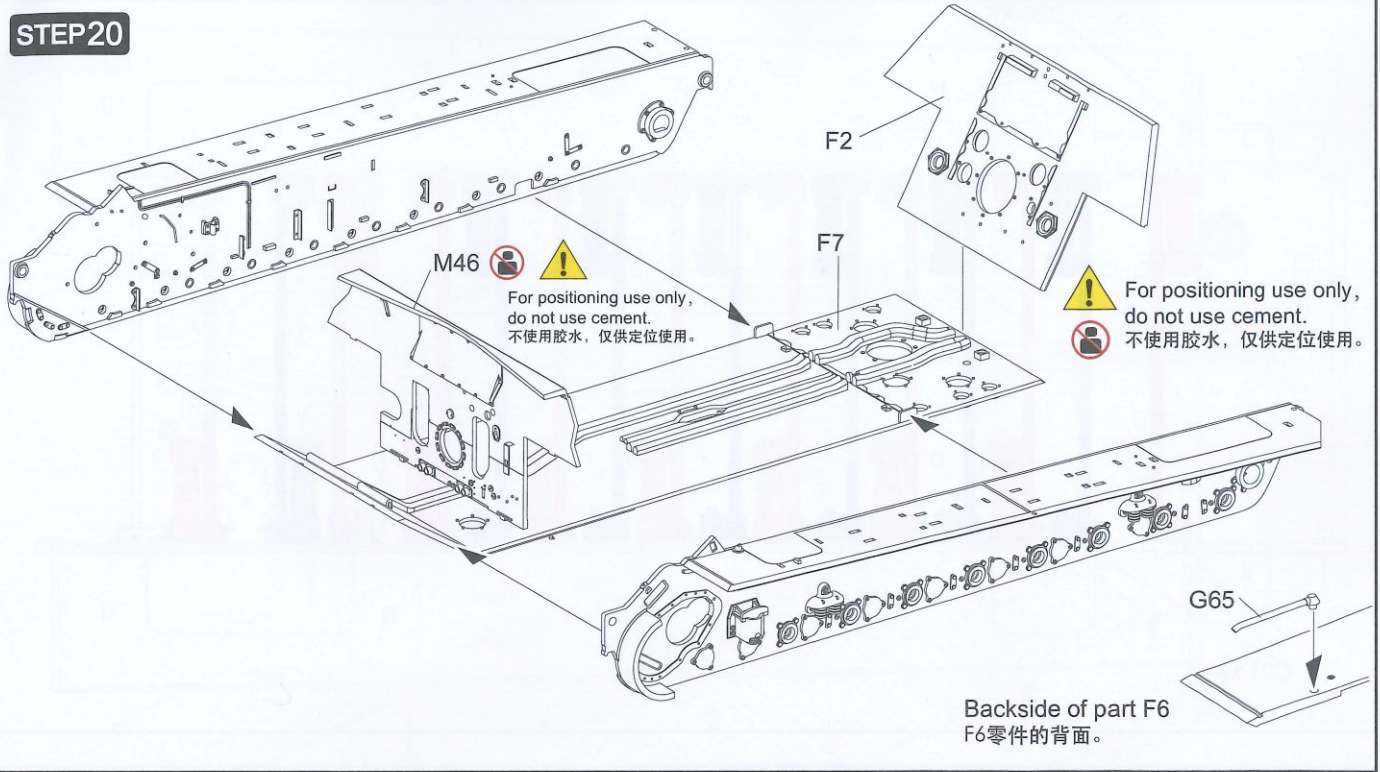
MAKE 2  
製作2組



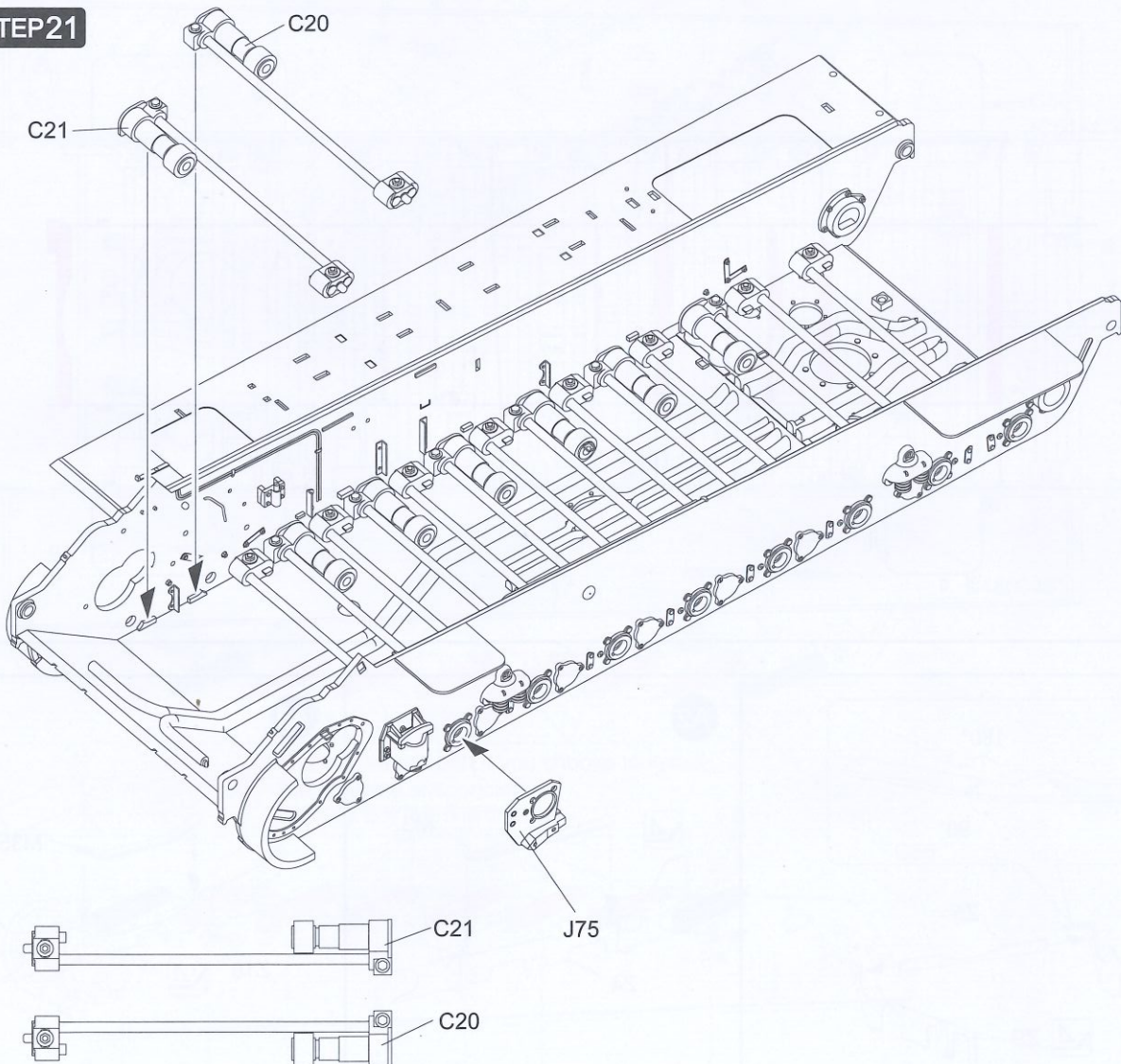
**STEP 19**

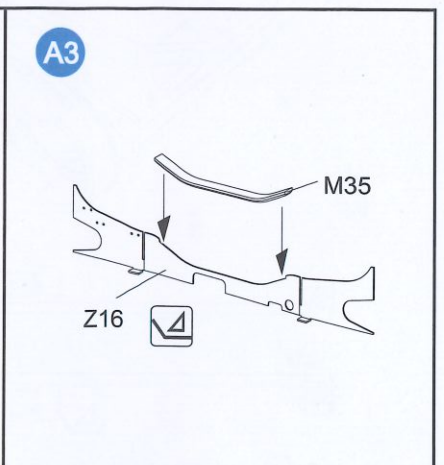
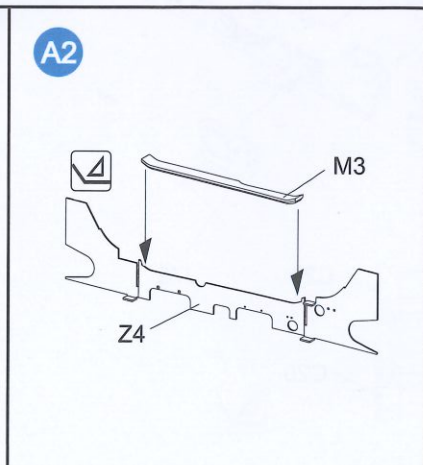
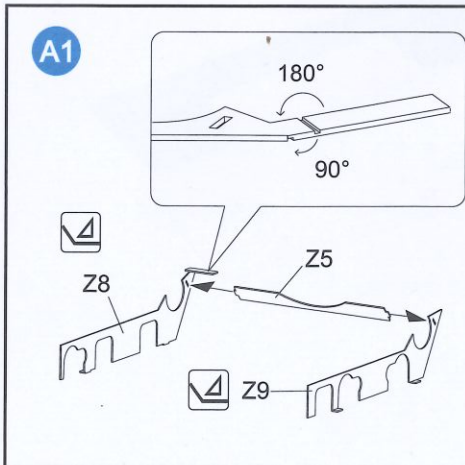
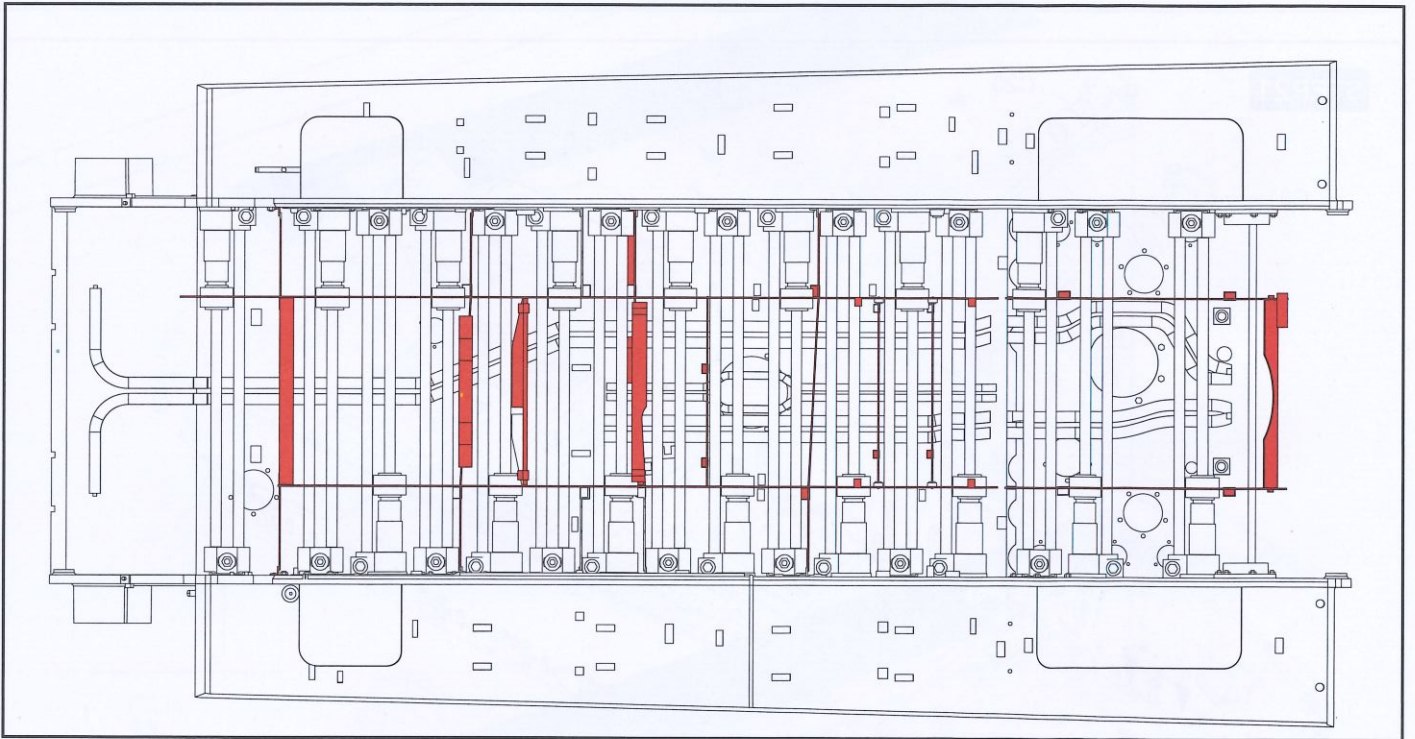
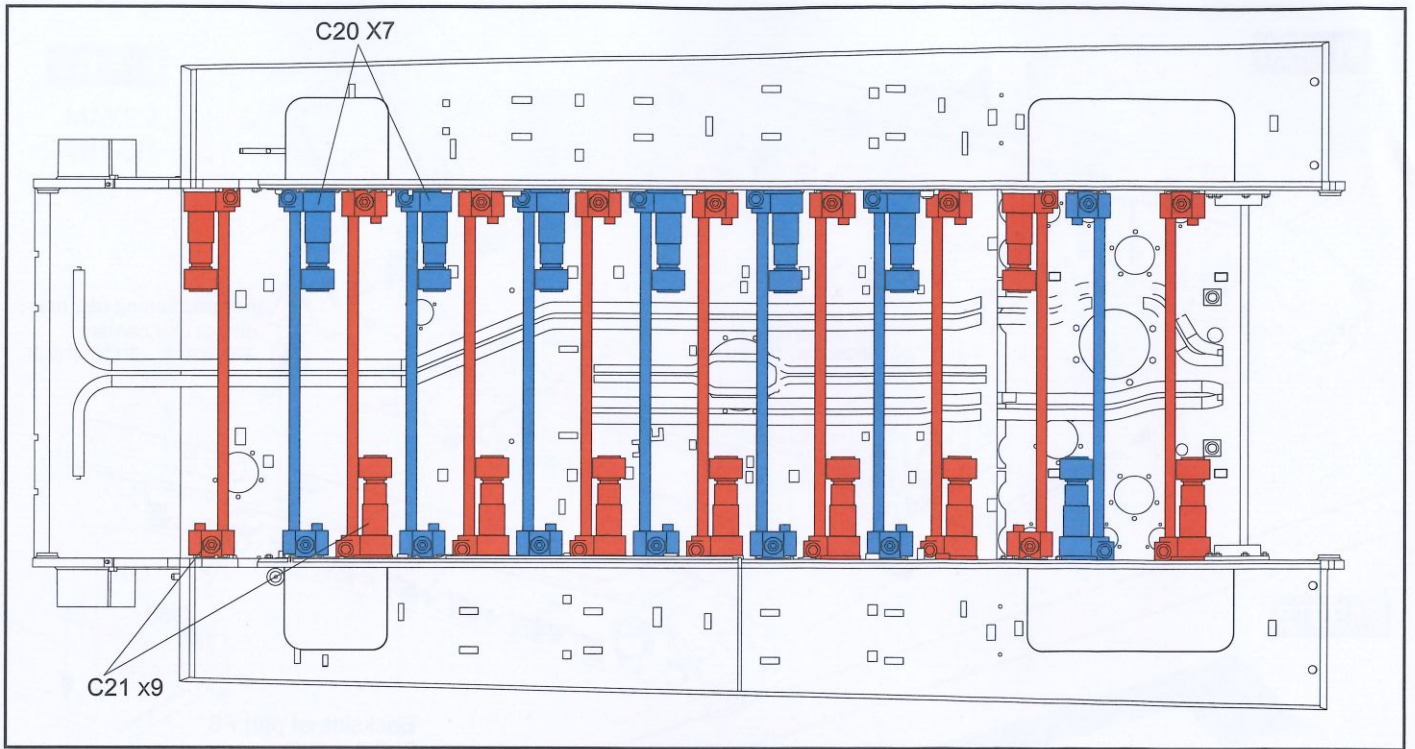


**STEP 20**



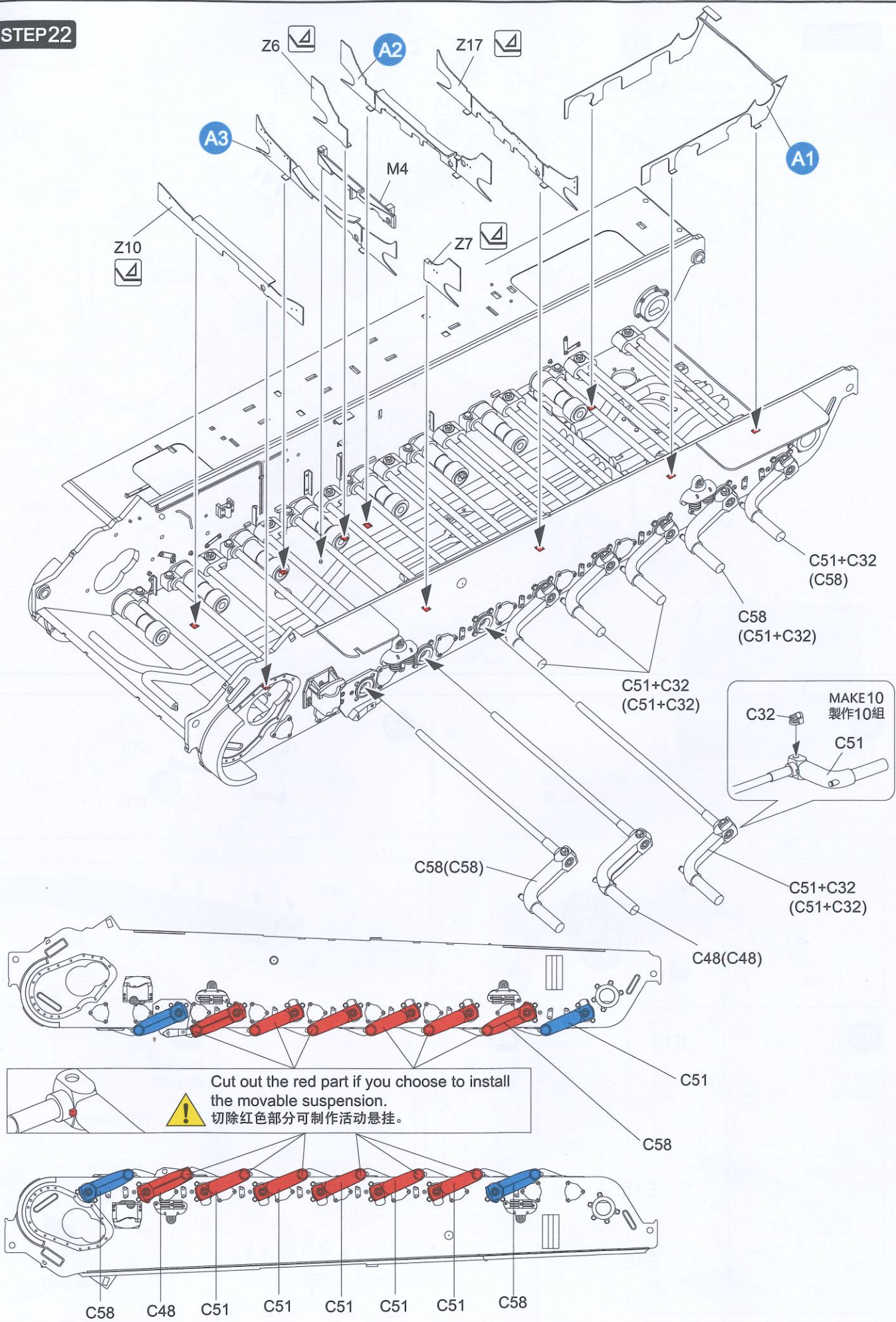
**STEP 21**



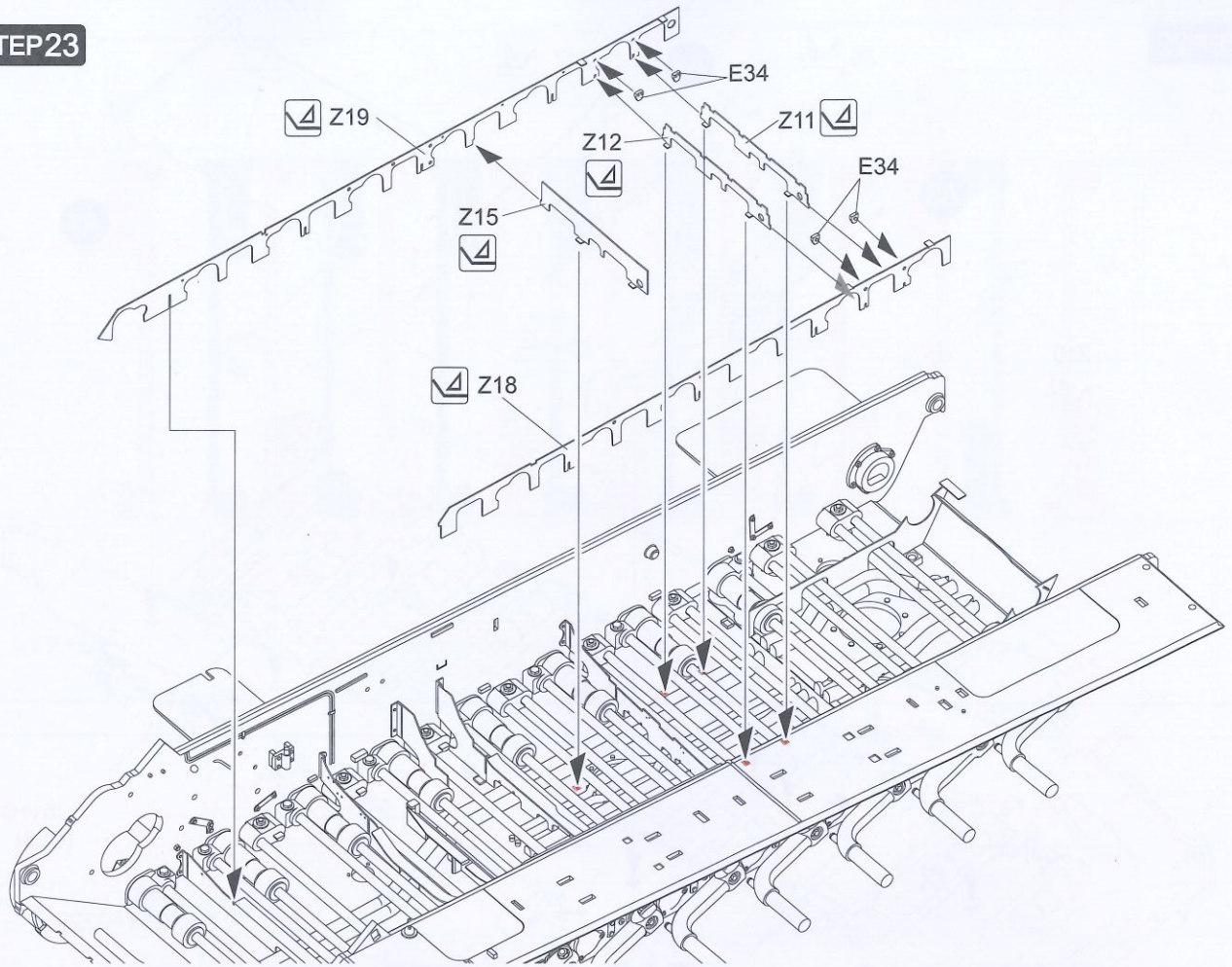




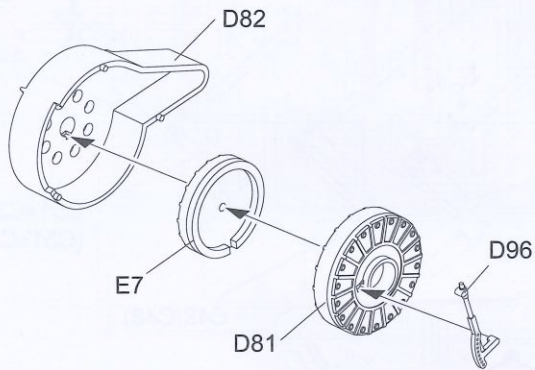
**STEP 22**



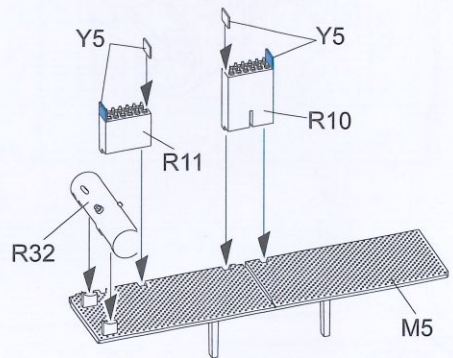
**STEP 23**



**A4**

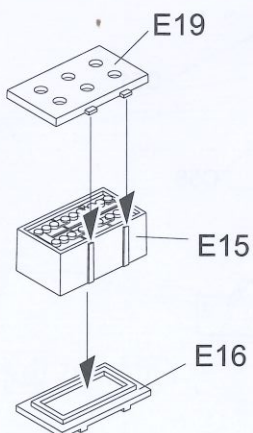


**A5**



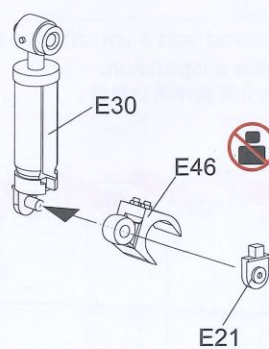
**A6**

Make 2  
制作2组



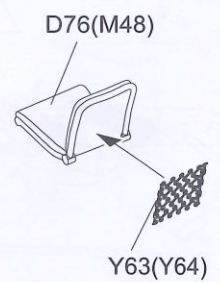
**A7**

Make 2  
制作2组

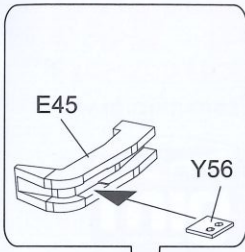


**A8**

Make 2  
制作2组



**STEP 24**



R31(R30)

A5

A6

The wider side towards to the front of the vehicle.  
较宽的一面朝向车头。

First step assembly  
第一步组装

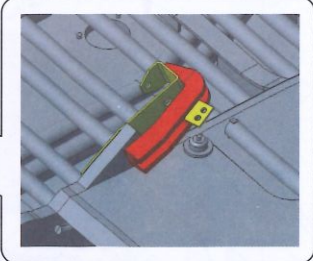
M47

A7

Z2b(Z2)



Y50

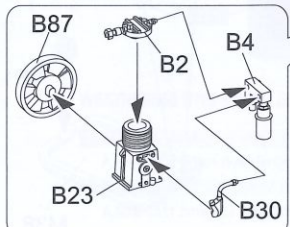
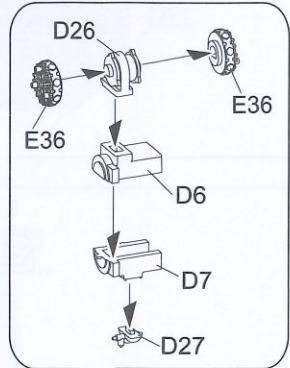
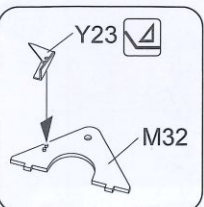
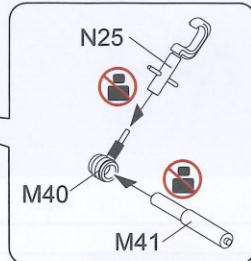
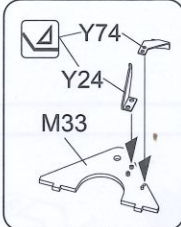


Second step assembly  
第二步组装

A4

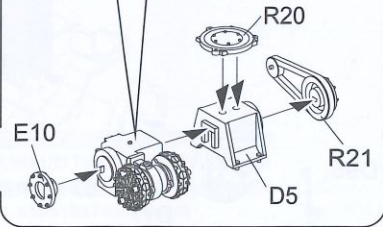
E45

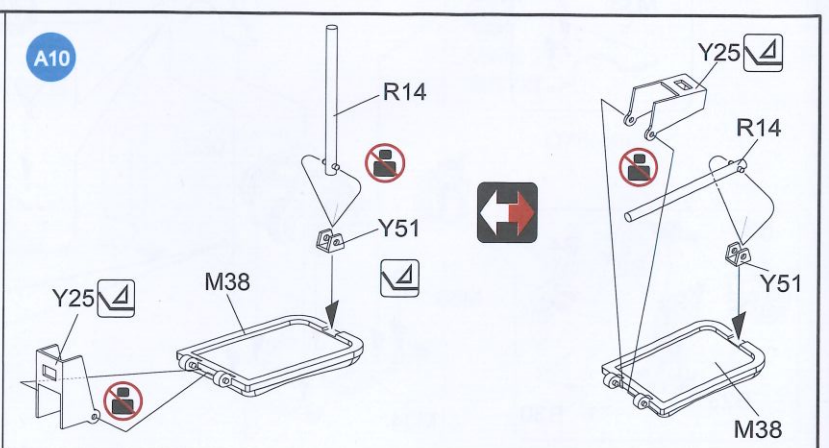
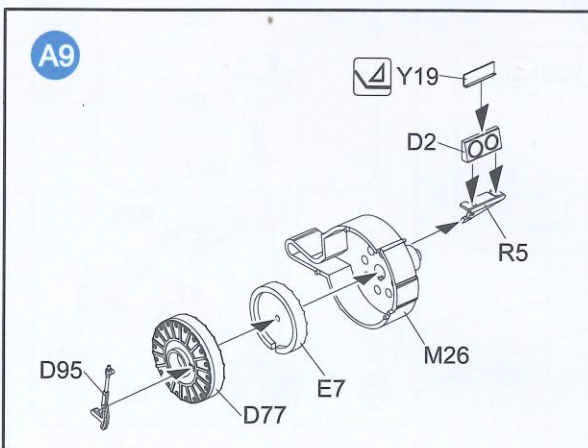
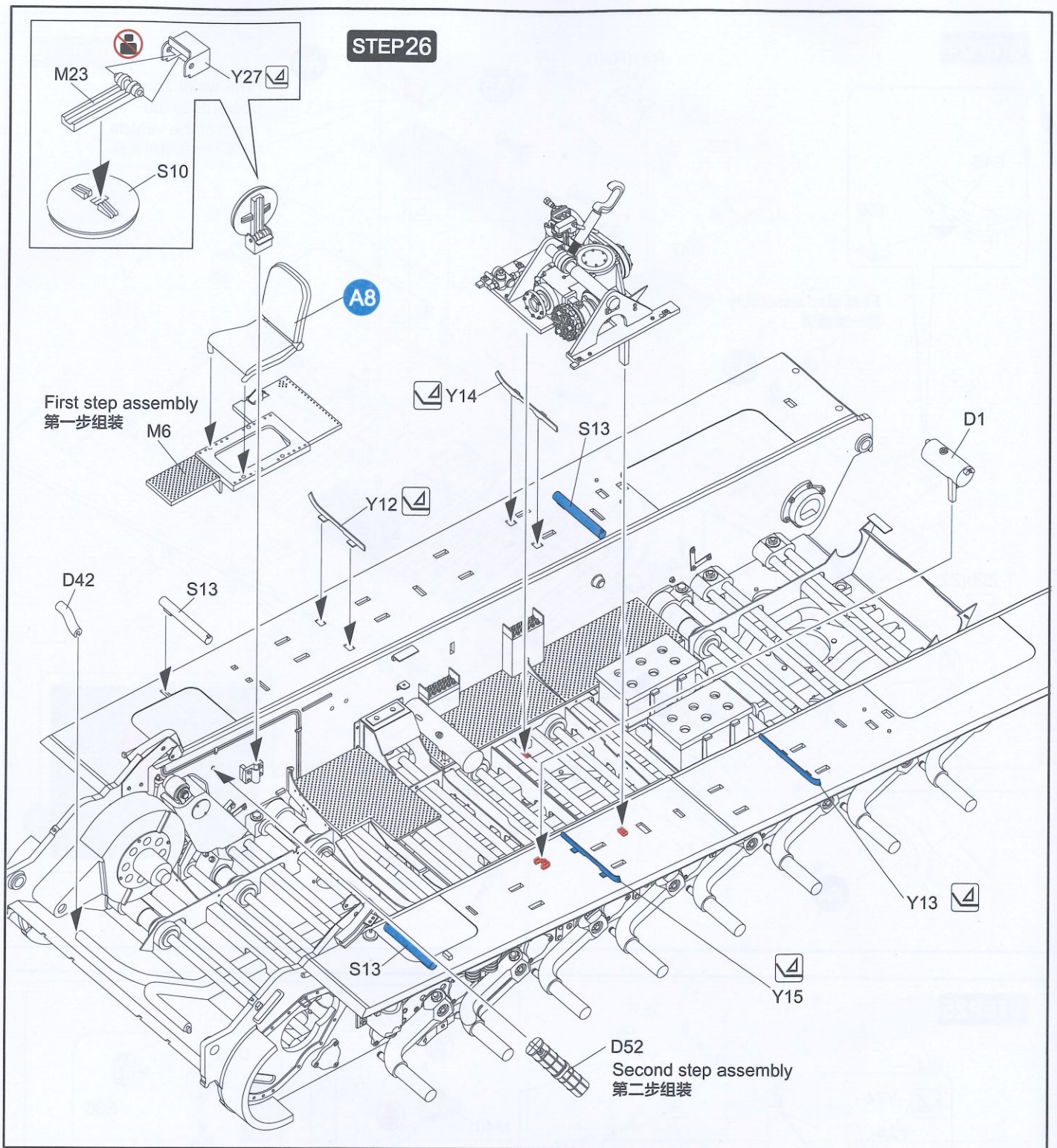
**STEP 25**



M68

M34





# RFM

RYEFIELD MODEL®

www.migjimenez.com



## JAGDPANTHER G2 with full interior & workable track links

### Painting and Marking Guide

A.MIG 003 Resedagrün	A.MIG 012 Dunkelgelb AUS '44 III	A.MIG 014 Rotbraun
A.MIG 033 Rubber & Tires	A.MIG 035 Dark Tracks	A.MIG 036 Old Wood
A.MIG 037 New Wood	A.MIG 045 Gun Metal	A.MIG 096 Crystal Periscope Green



### WEATHERING STEPS WITH AMMO PRODUCTS

<b>1</b> GENERAL WASH A.MIG-1000 Brown Wash for Dark Yellow	<b>3</b> STREAKING A.MIG-1203 Streaking Grime	<b>5</b> RUST A.MIG-1204 Streaking Rust Effects	<b>7</b> MUD A.MIG-1701 Thick Soil A.MIG-1751 Dry Steppe
<b>2</b> FILTER A.MIG-1511 Brown for Dark Yellow	<b>4</b> TRACK WASH A.MIG-1002 Tracks Wash	<b>6</b> DUST A.MIG-3012 Sand	<b>8</b> GREASE & OIL A.MIG-1408 Fresh Engine Oil

Color info and profiles  
by



A.MIG-0010  
RAL 7028 DUNKELGELB (MID WAR)

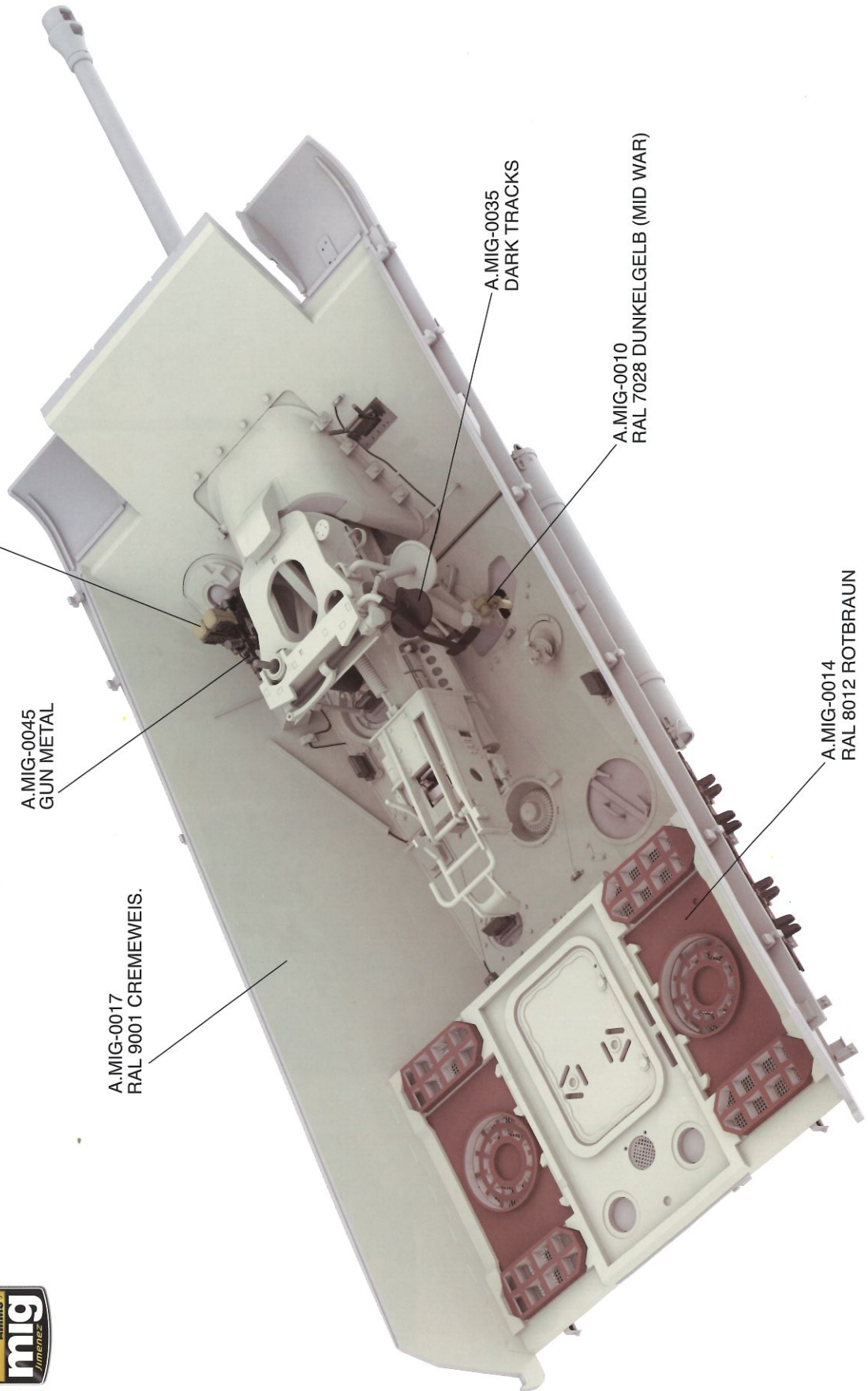
A.MIG-0045  
GUN METAL

A.MIG-0017  
RAL 9001 CREMEWEIS.

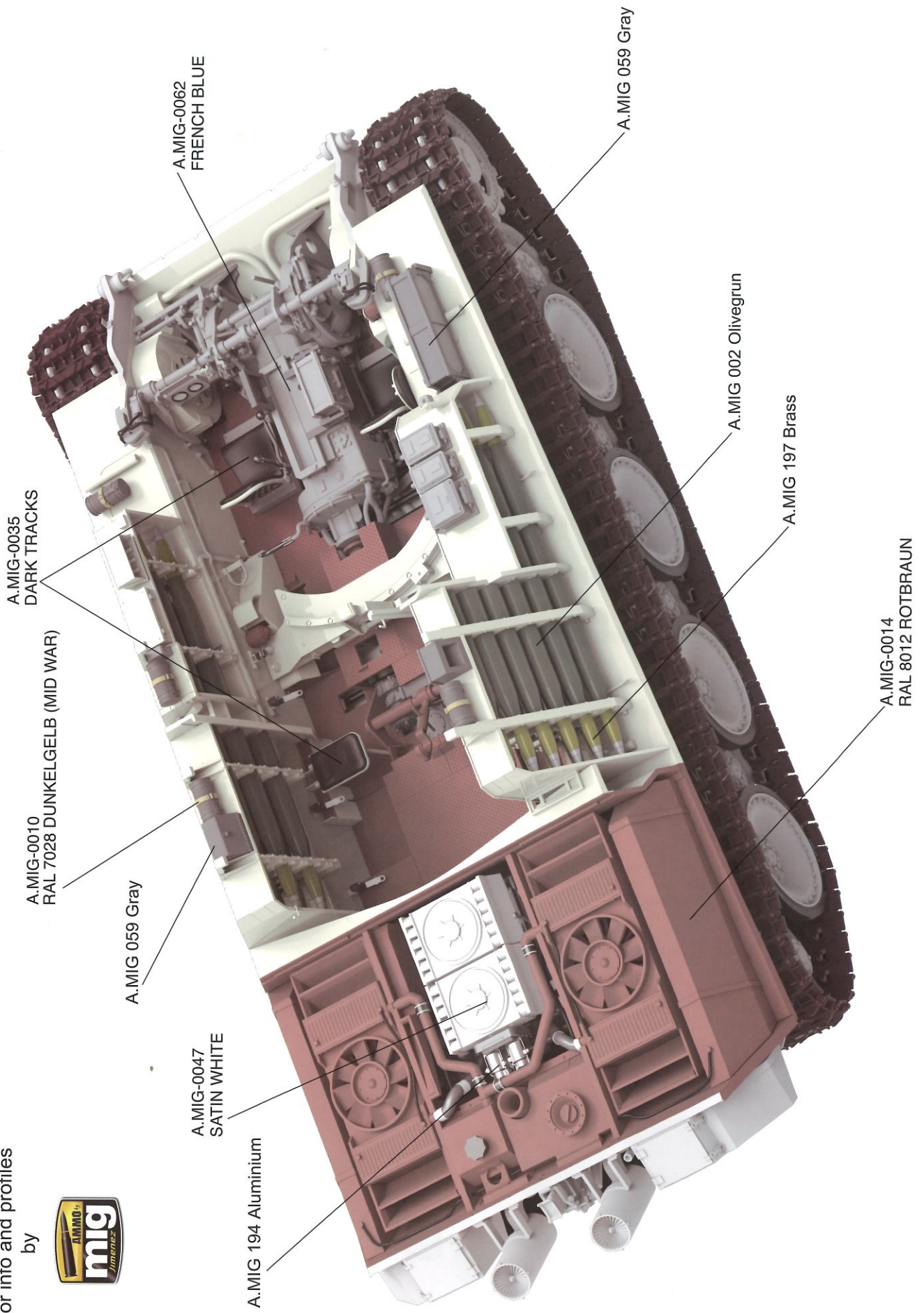
A.MIG-0035  
DARK TRACKS

A.MIG-0010  
RAL 7028 DUNKELGELB (MID WAR)

A.MIG-0014  
RAL 8012 ROTBRAUN



Color info and profiles  
by



A.MIG-0035  
DARK TRACKS

A.MIG-0010  
RAL 7028 DUNKELGELB (MID WAR)

A.MIG 059 Gray

A.MIG-0047  
SATIN WHITE

A.MIG 194 Aluminium

A.MIG-0062  
FRENCH BLUE

A.MIG 059 Gray

A.MIG 002 Olivegrun






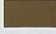


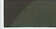
A.MIG 197 Brass

A.MIG-0014  
RAL 8012 ROTBRAUN



# JAGDPANTHER G2 with full interior & workable track links

## Painting and Marking Guide

 A.MIG 004 B Resedagrün	 A.MIG 011 Dunkelgelb AUS'44 I	 A.MIG 014 Rotbraun
 A.MIG 033 Rubber & Tires	 A.MIG 035 Dark Tracks	 A.MIG 036 Old Wood
 A.MIG 038 Light Wood	 A.MIG 045 Gun Metal	 A.MIG 096 Crystal Periscope Green

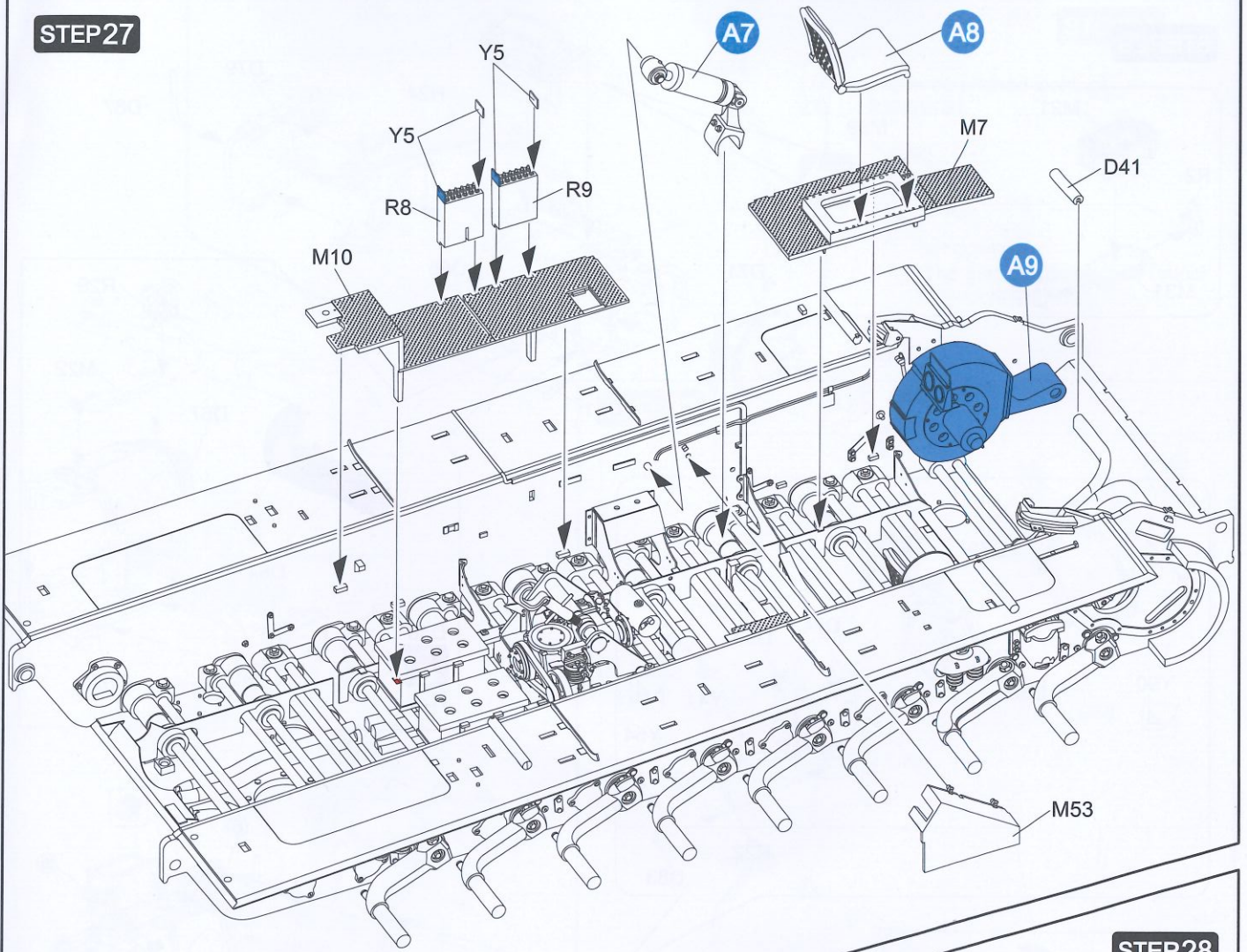


### WEATHERING STEPS WITH AMMO PRODUCTS

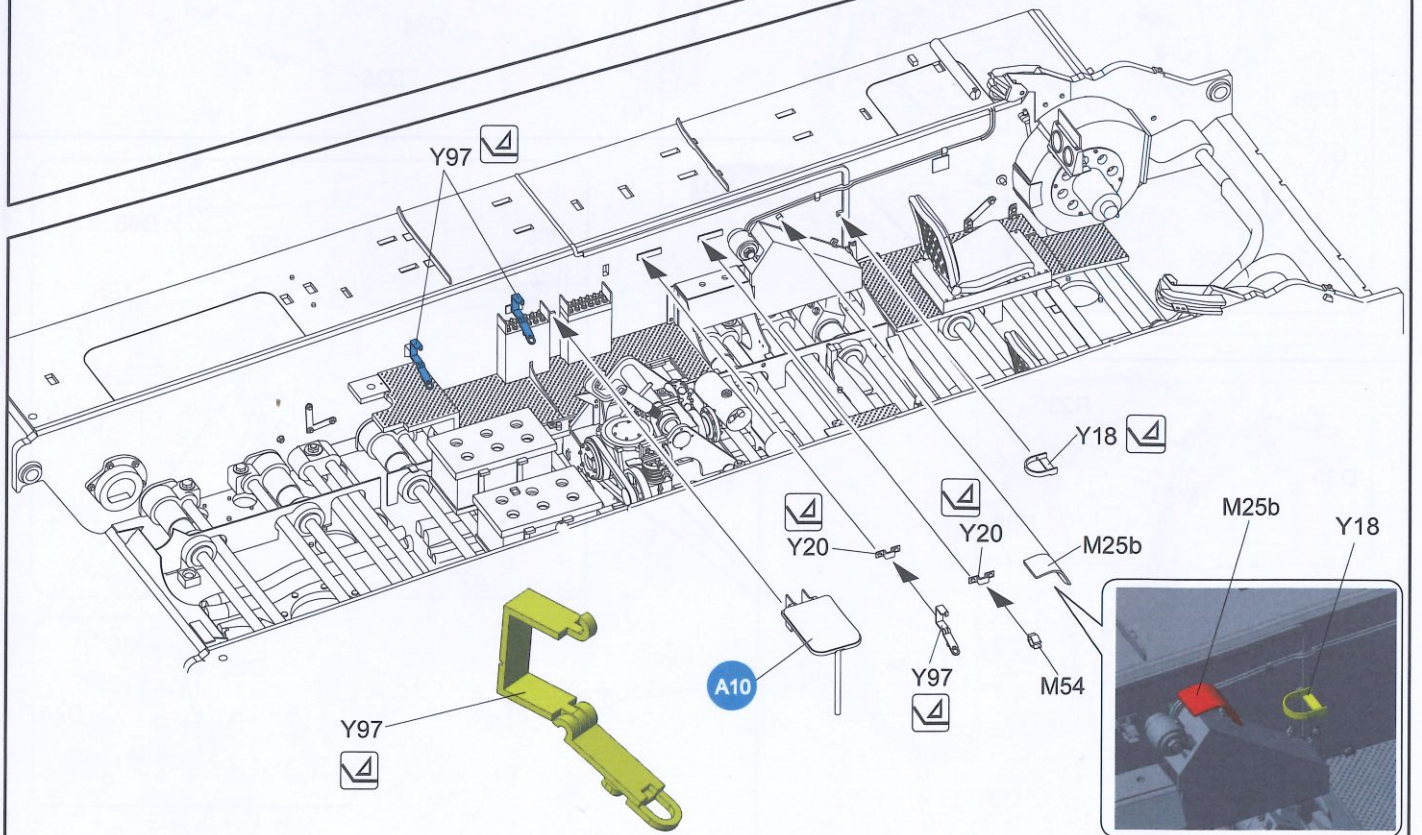
<b>1 GENERAL WASH</b> A.MIG-1005 Dark Brown Wash for Green vehicles	<b>3 STREAKING</b> A.MIG-1206 Dark Streaking Grime	<b>5 RUST</b> A.MIG-3510 Rust	<b>7 MUD</b> A.MIG-1704 Heavy Earth A.MIG-1753 Turned Dirt
<b>2 FILTER</b> A.MIG-1510 Tan for 3 Tone Camo	<b>4 TRACK WASH</b> A.MIG-1002 Tracks Wash	<b>6 DUST</b> A.MIG-3011 Airfield Dust	<b>8 GREASE &amp; OIL</b> A.MIG-1408 Fresh Engine Oil



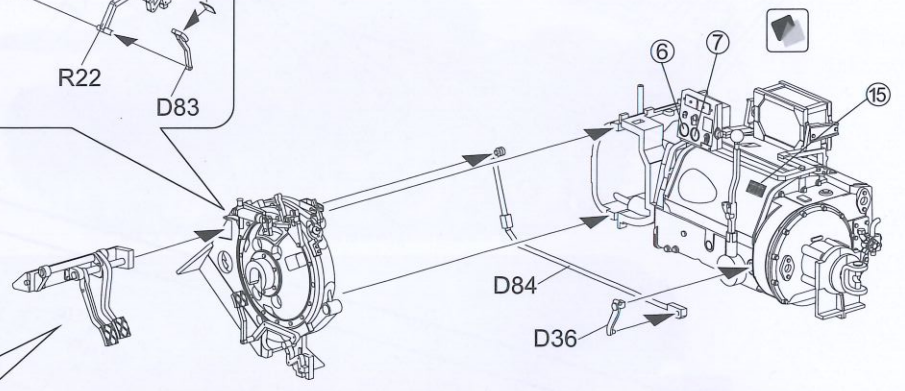
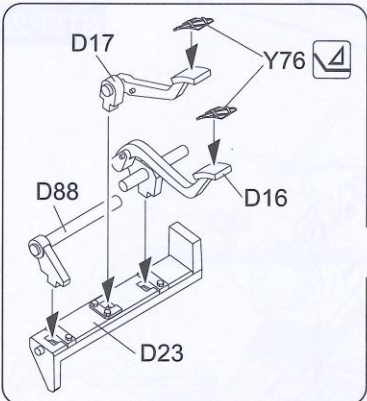
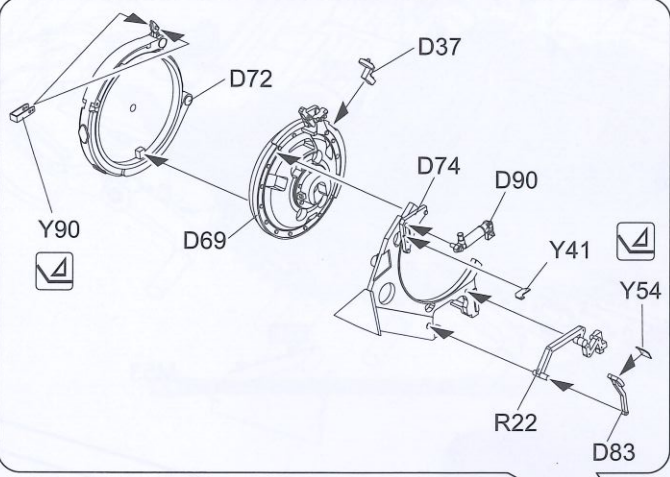
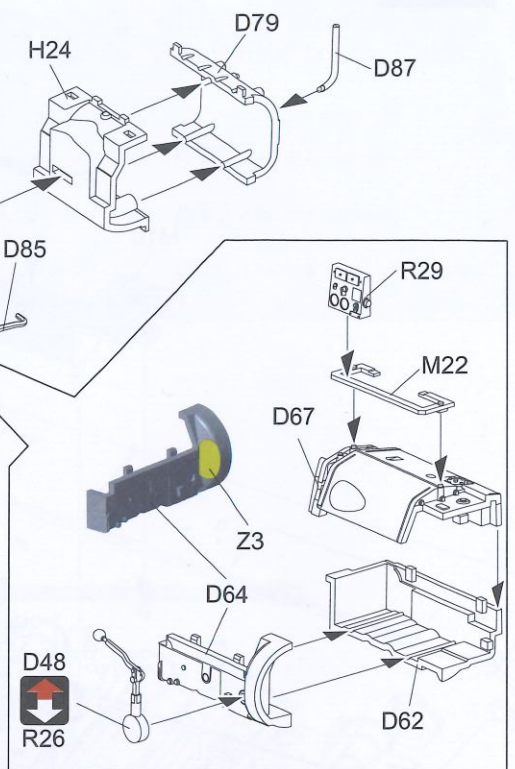
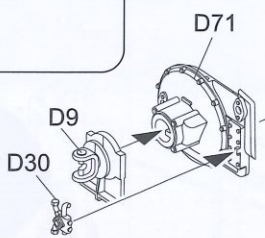
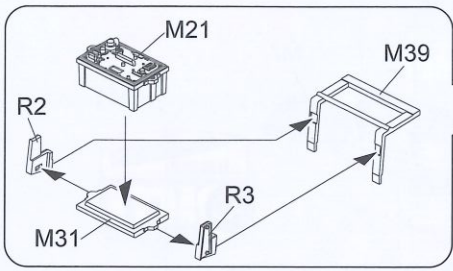
**STEP 27**



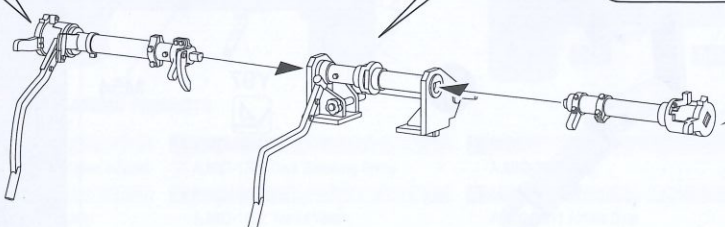
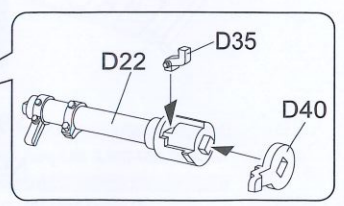
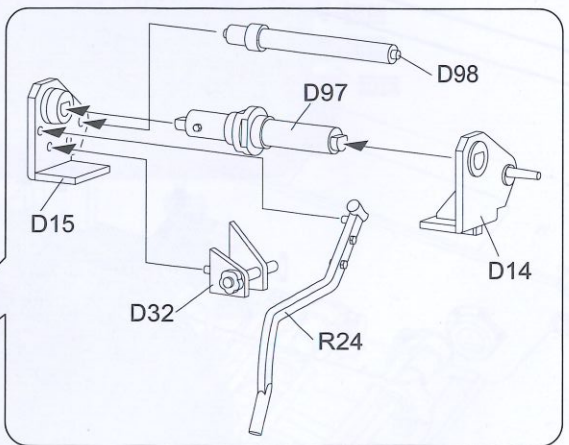
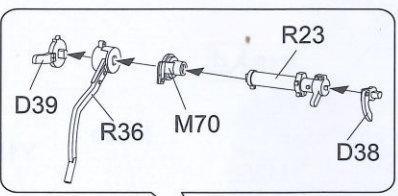
**STEP 28**



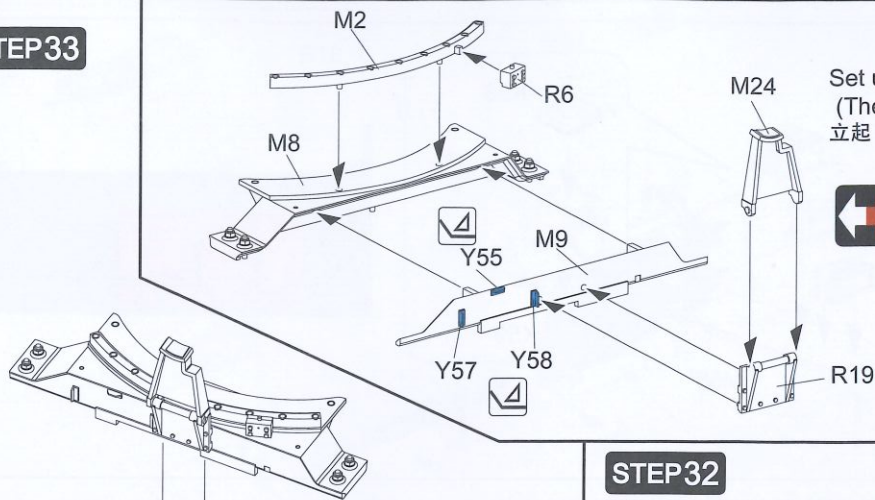
**STEP 29**



**STEP 30**



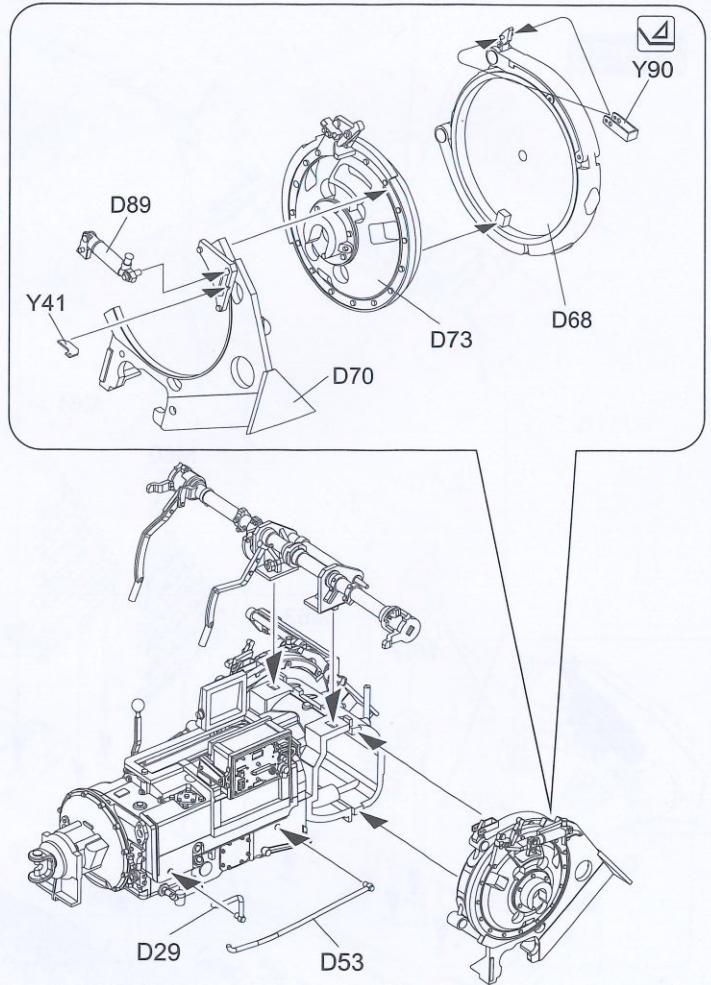
**STEP33**



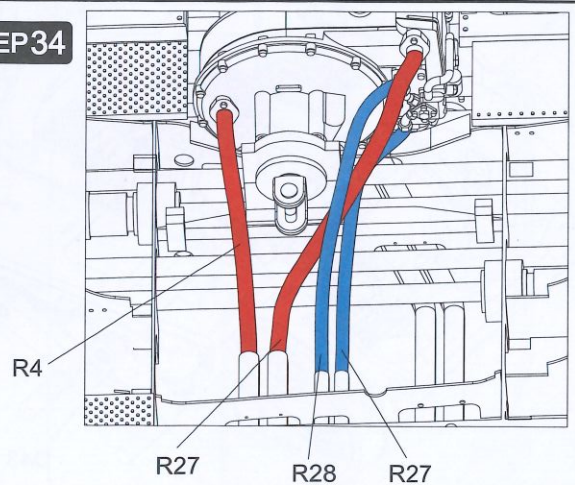
**STEP31**



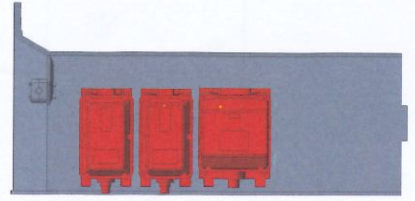
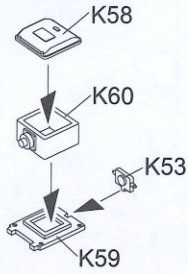
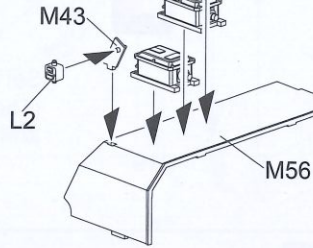
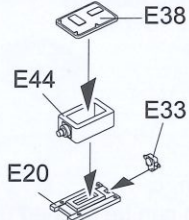
**STEP32**



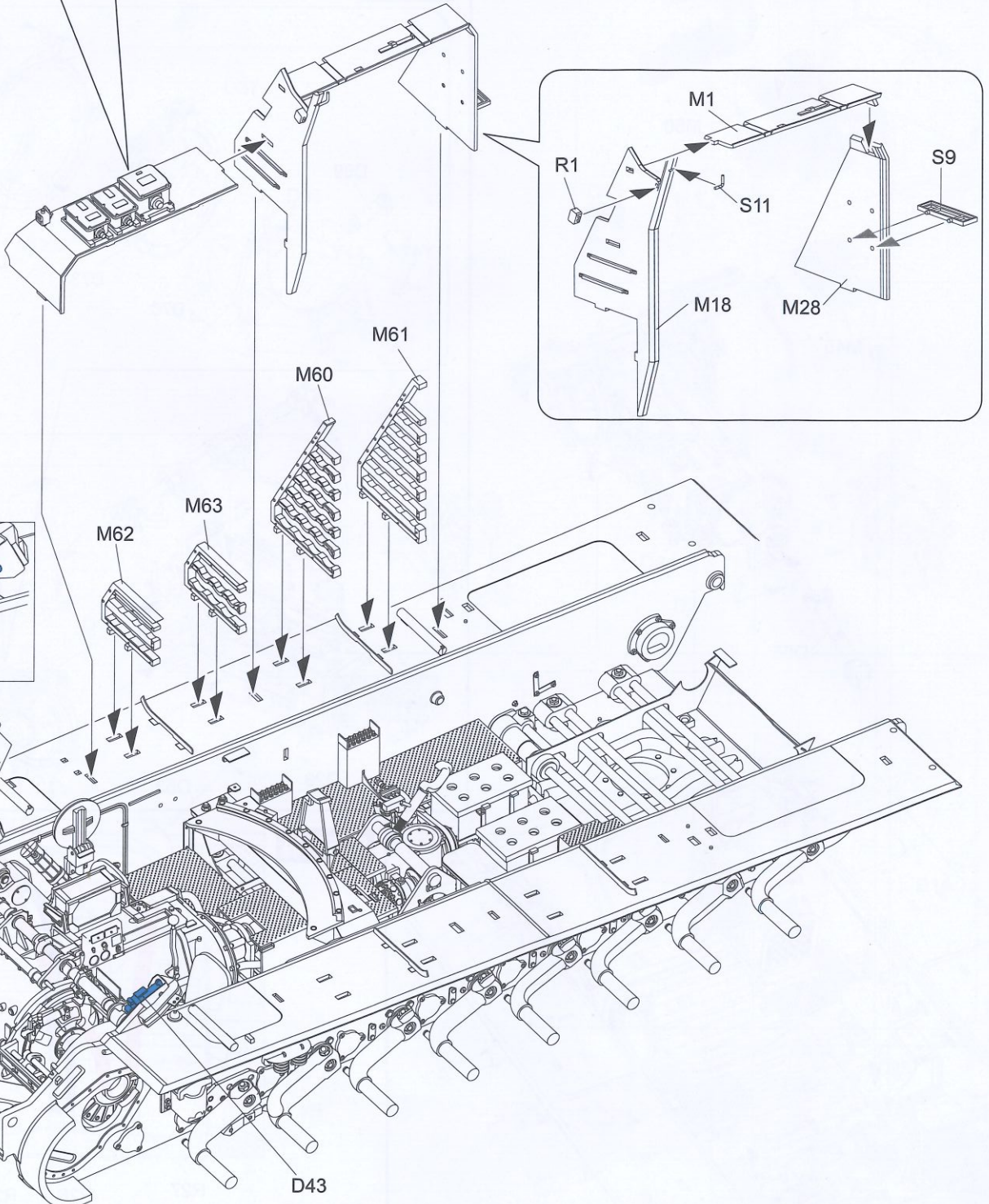
**STEP34**



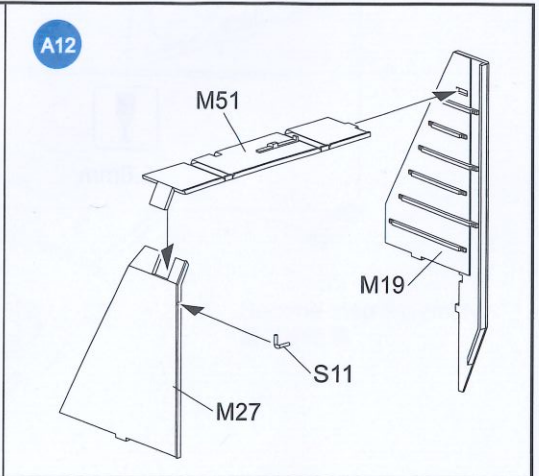
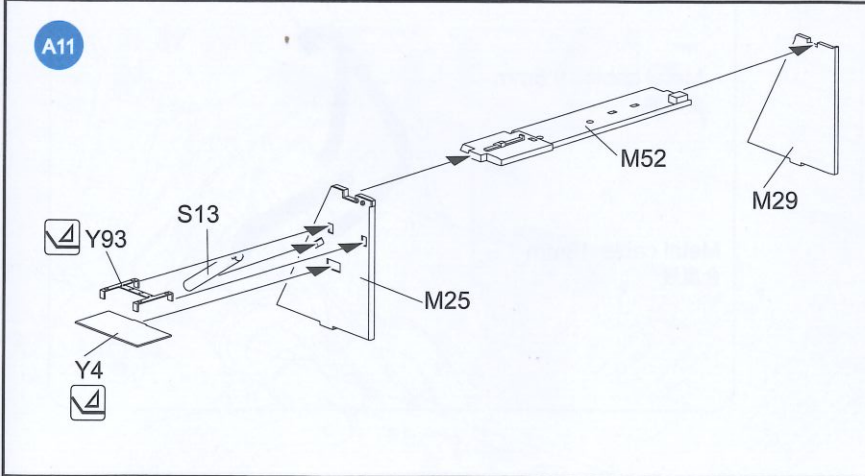
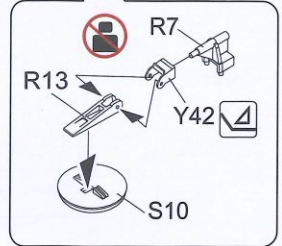
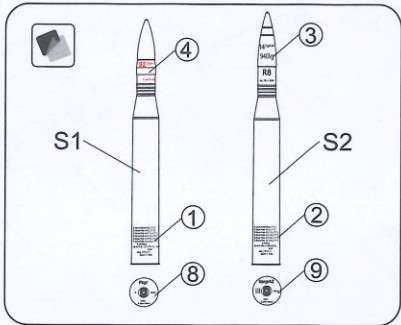
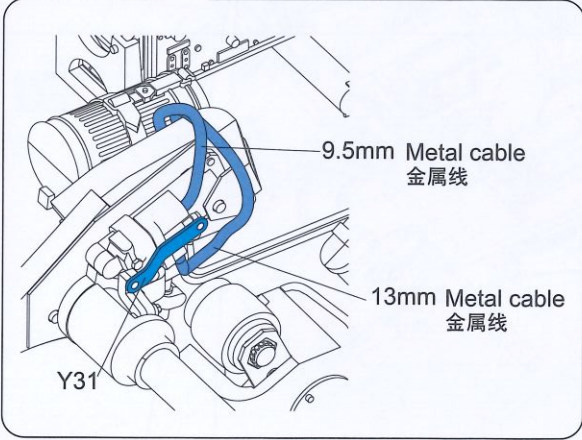
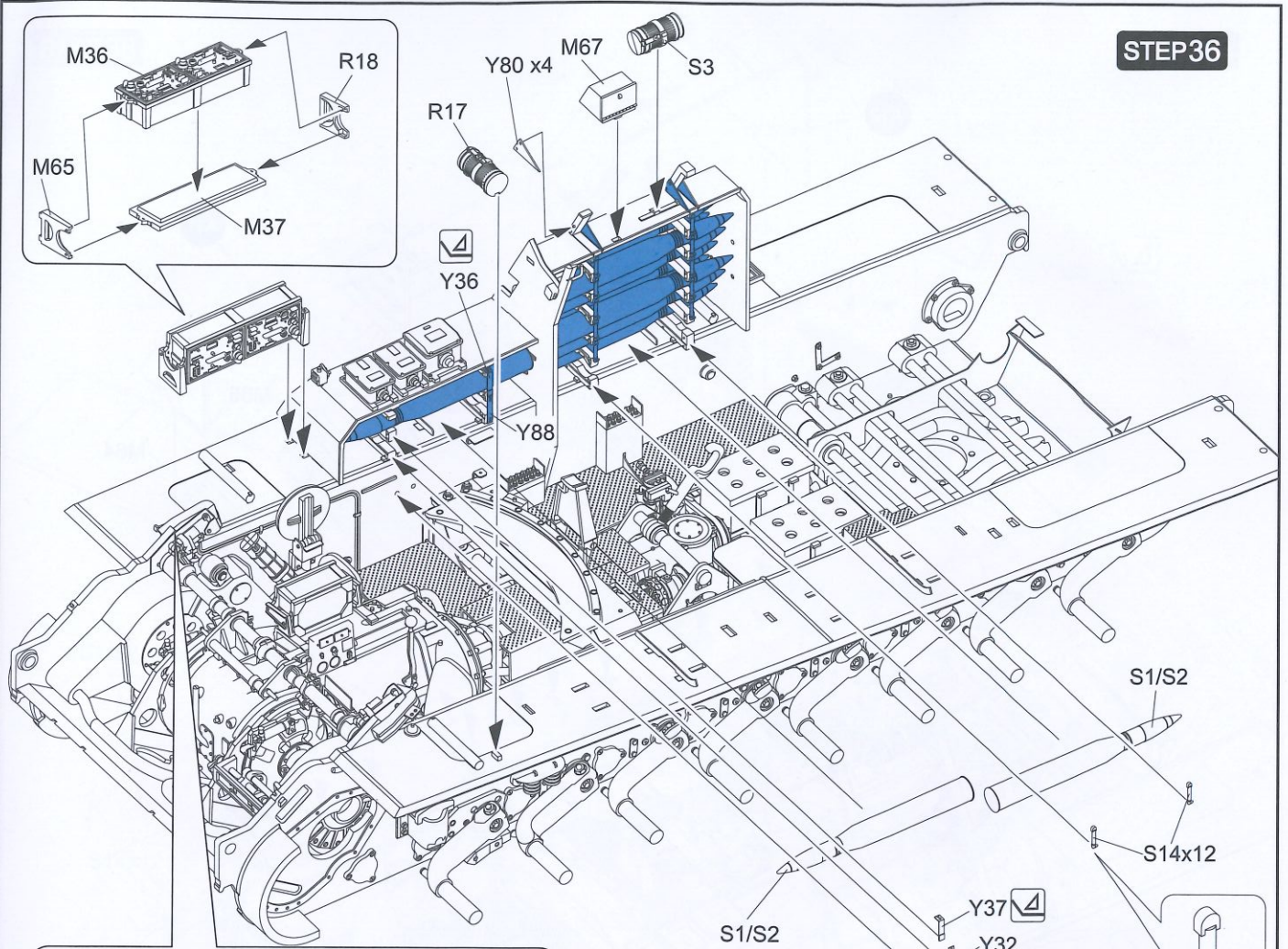
Make 2  
制作2组



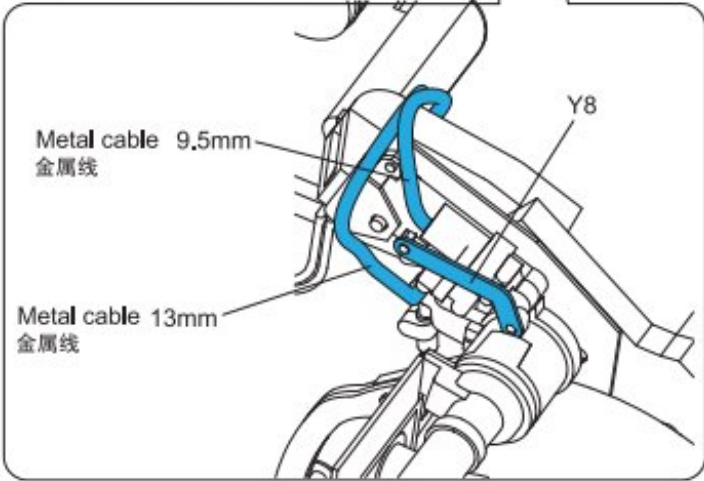
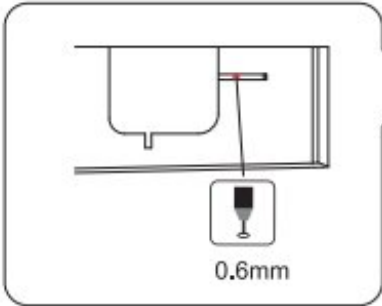
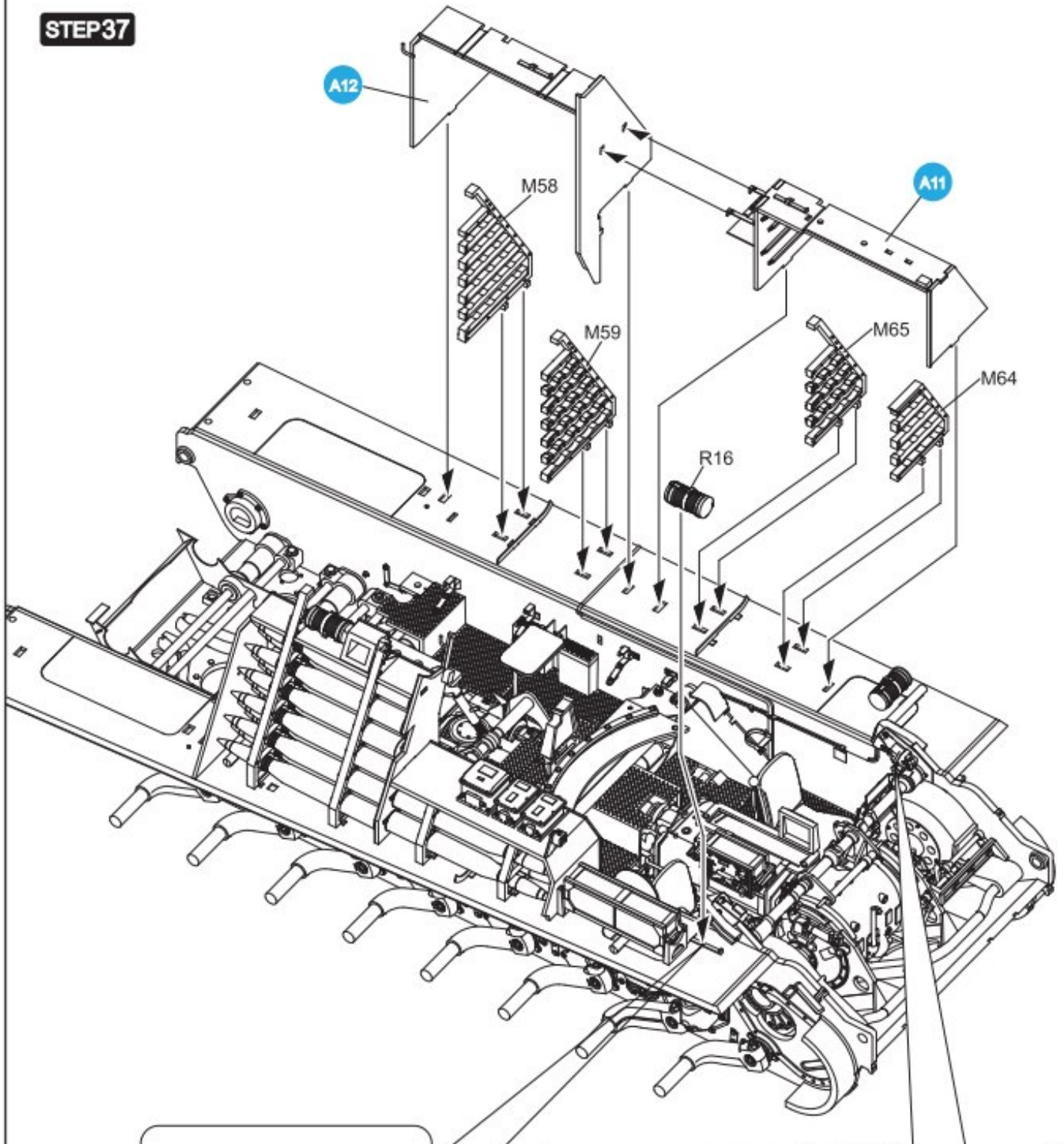
**STEP35**



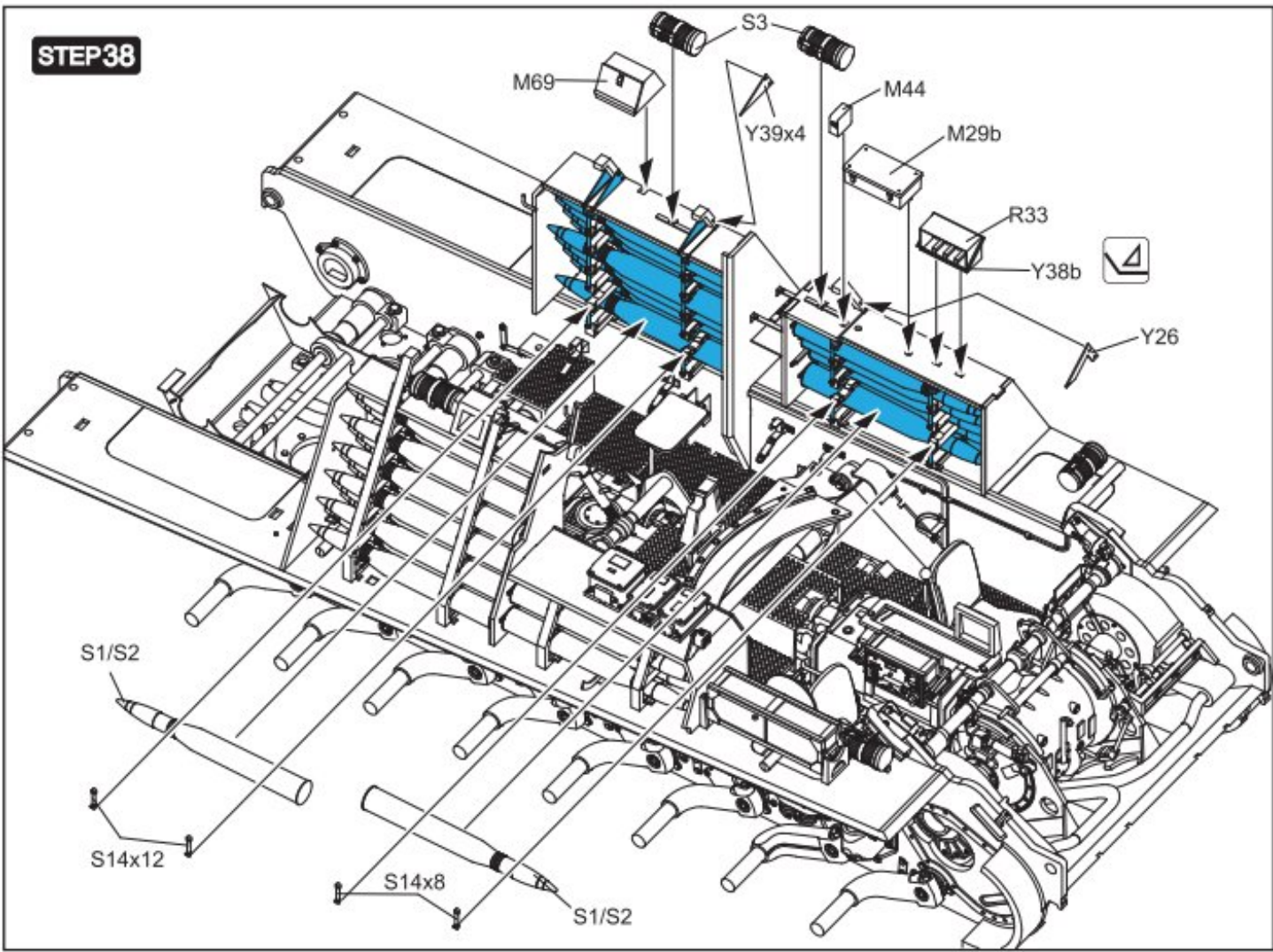
**STEP 36**



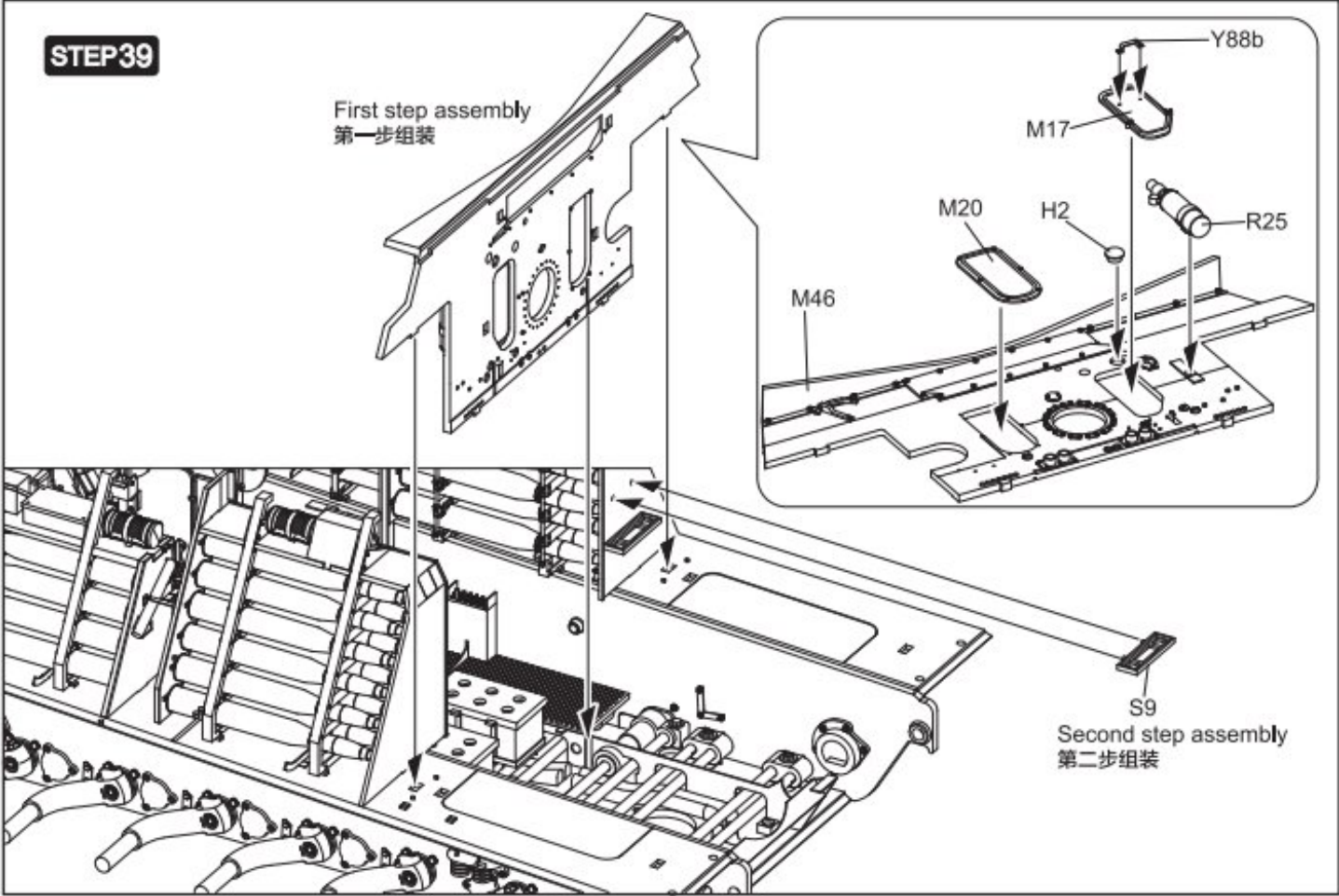
**STEP 37**



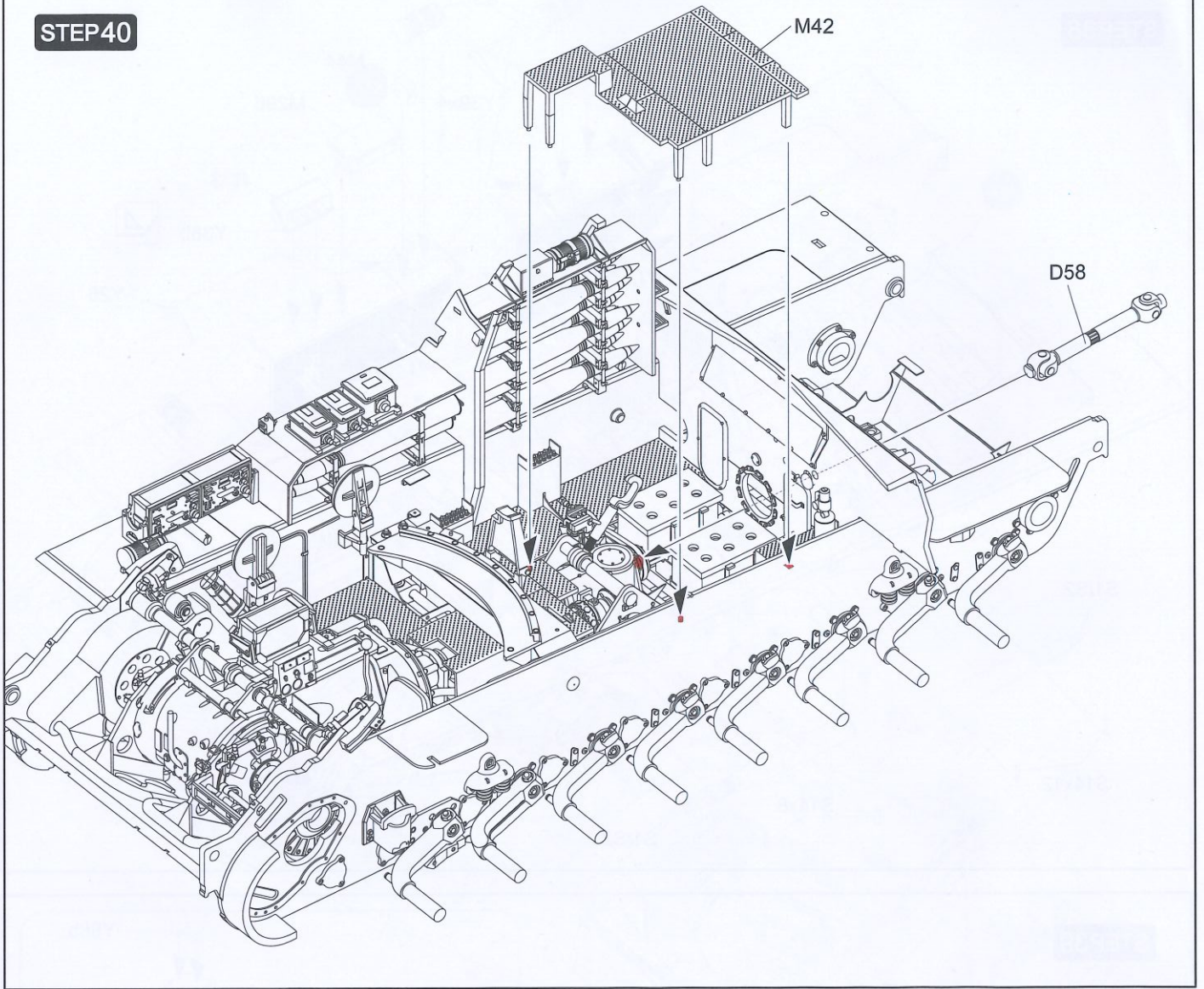
**STEP 38**



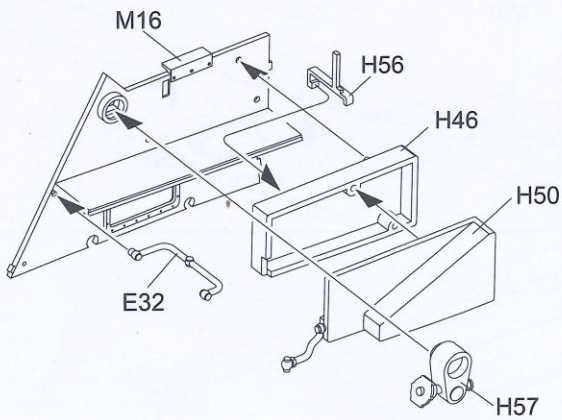
**STEP 39**



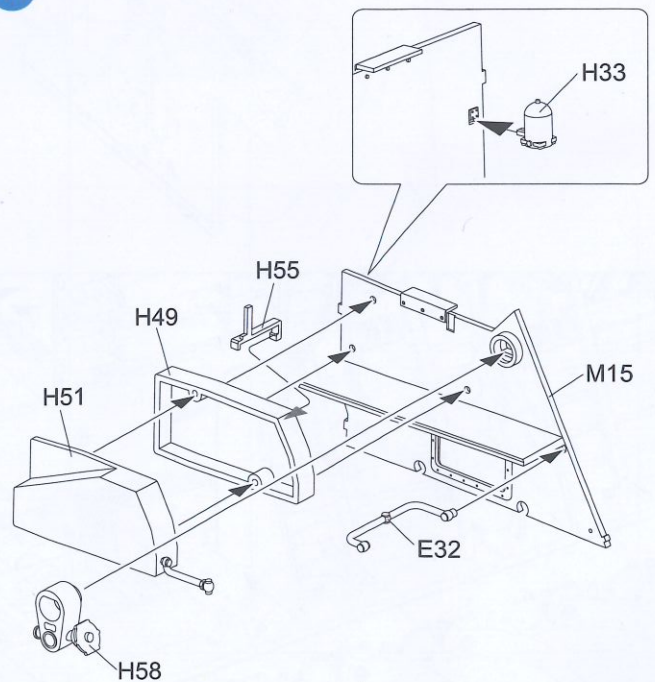
**STEP 40**



**A13**

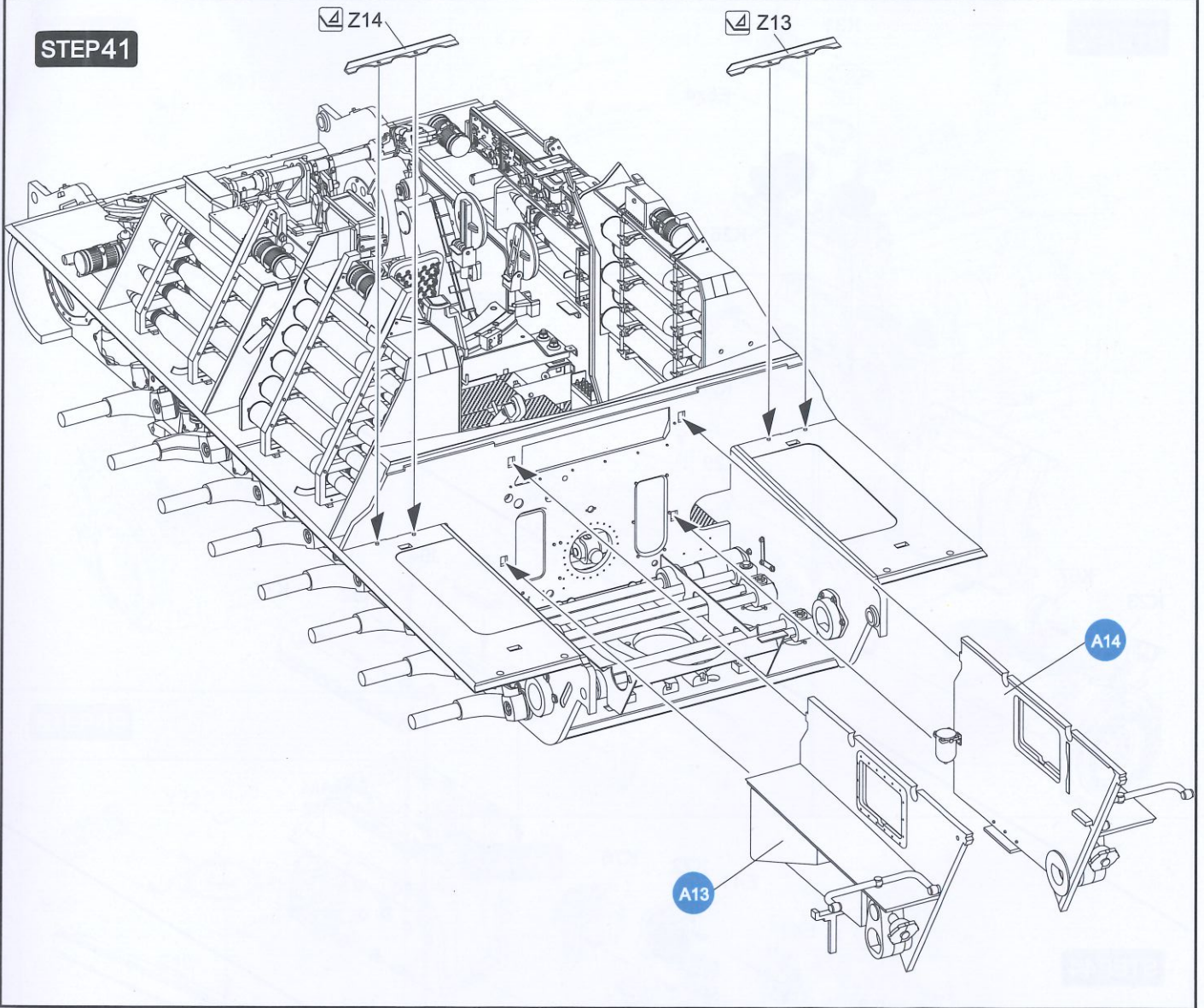


**A14**

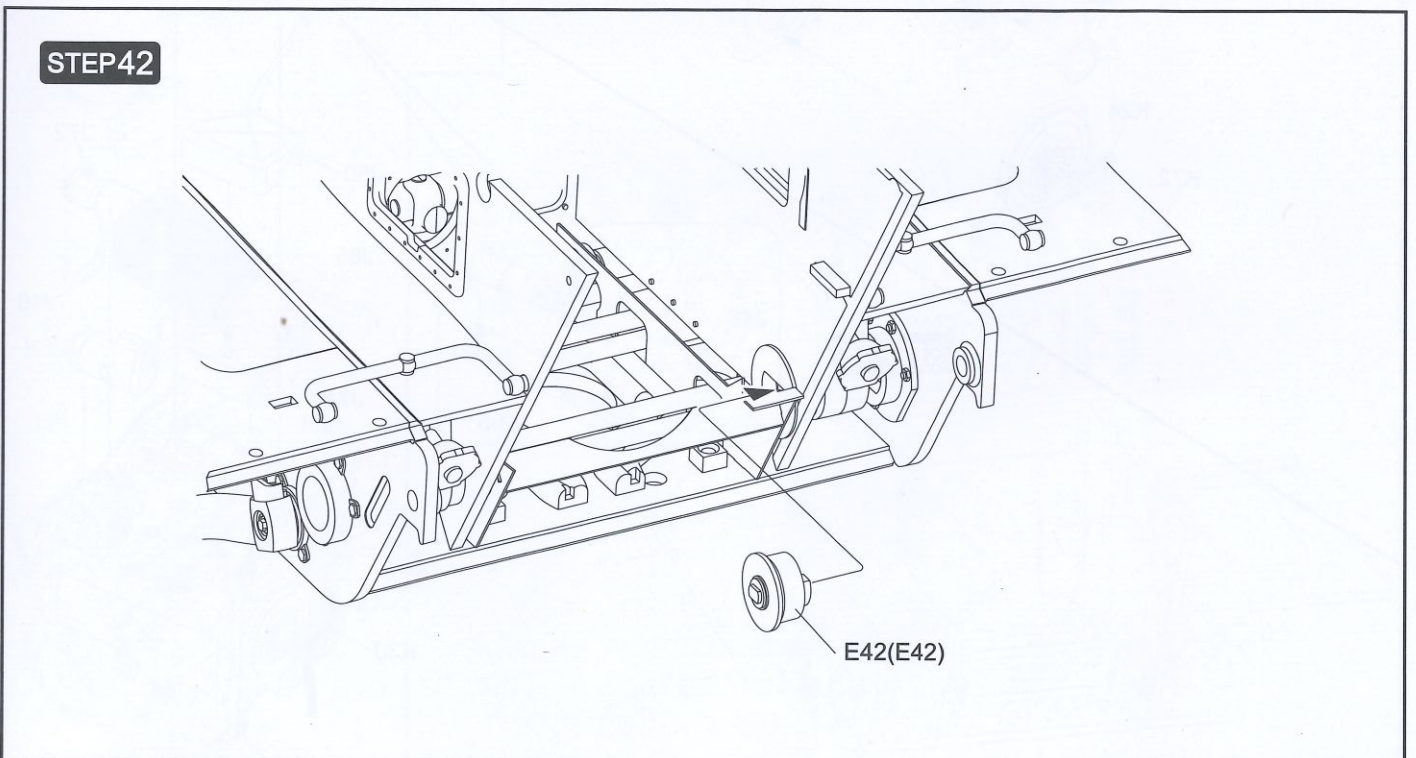




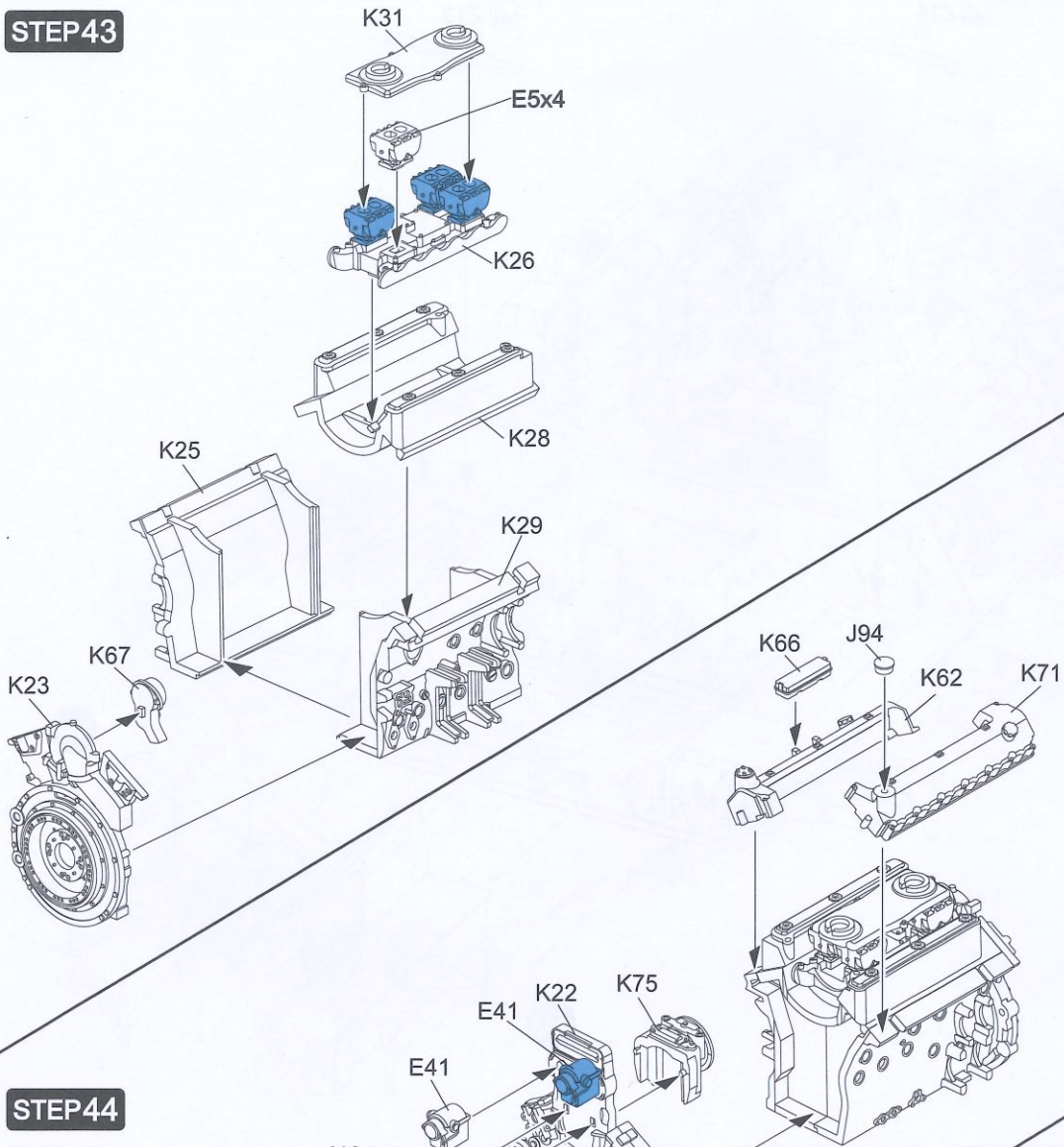
**STEP41**



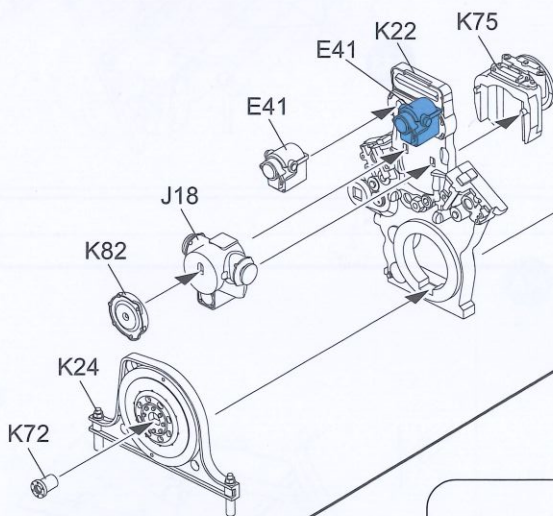
**STEP42**



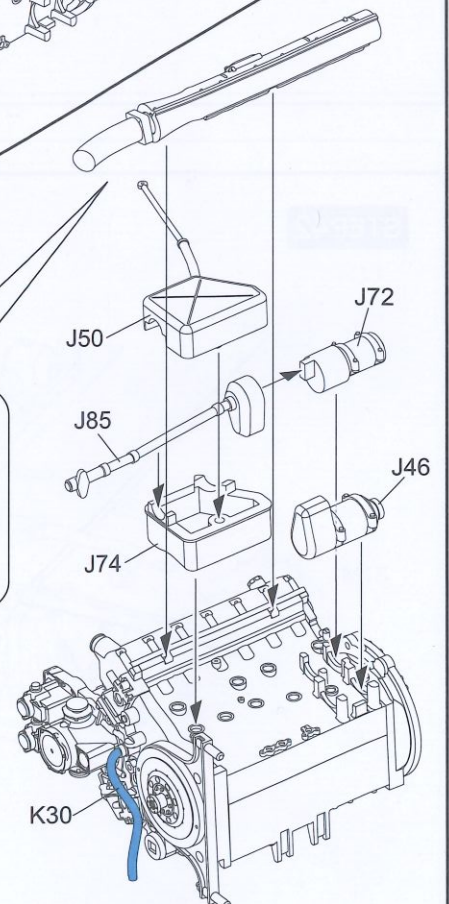
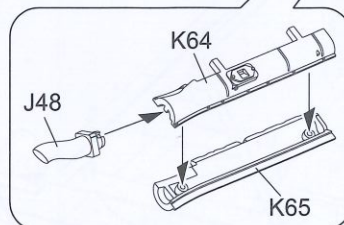
**STEP43**



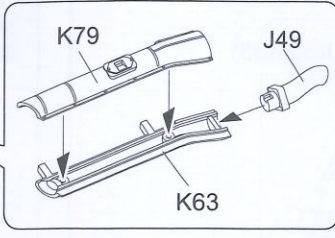
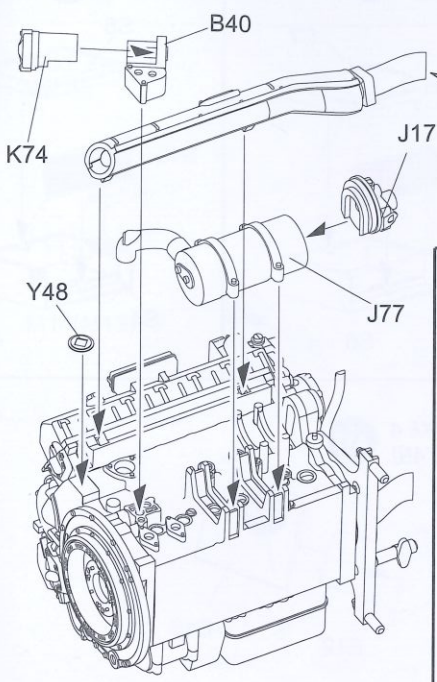
**STEP44**



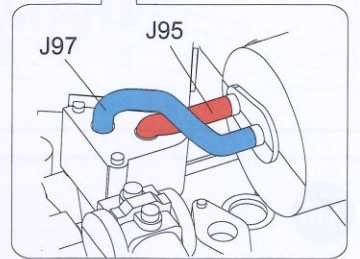
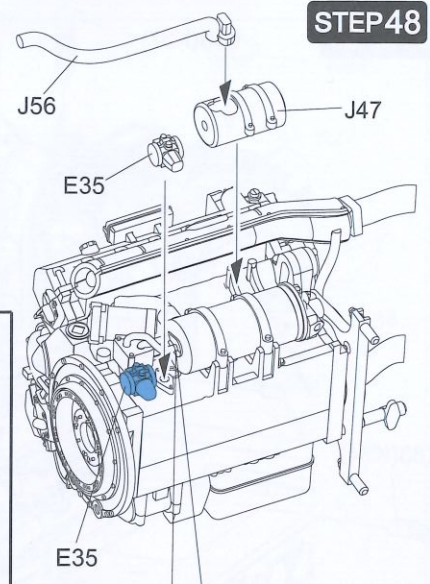
**STEP45**



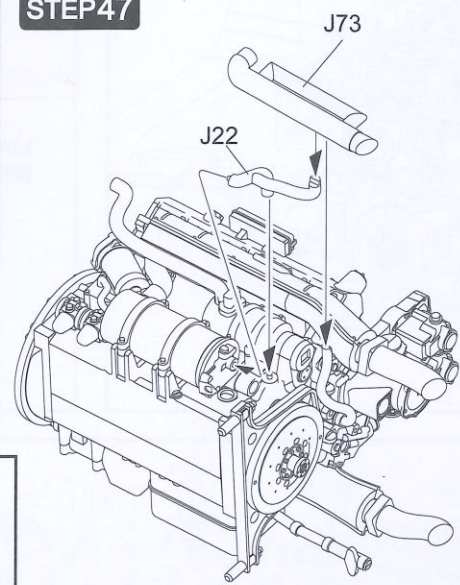
**STEP46**



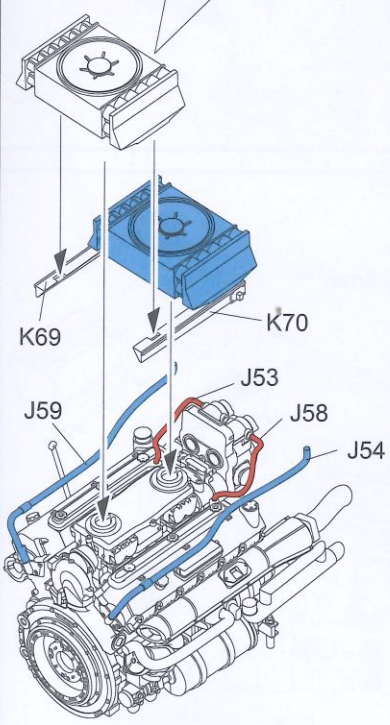
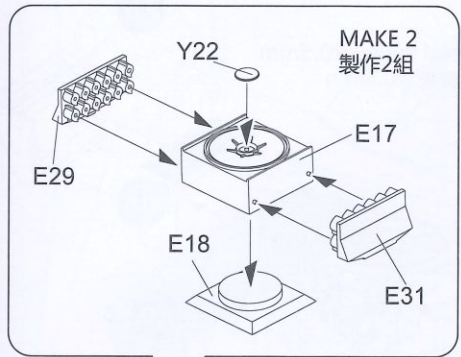
**STEP48**



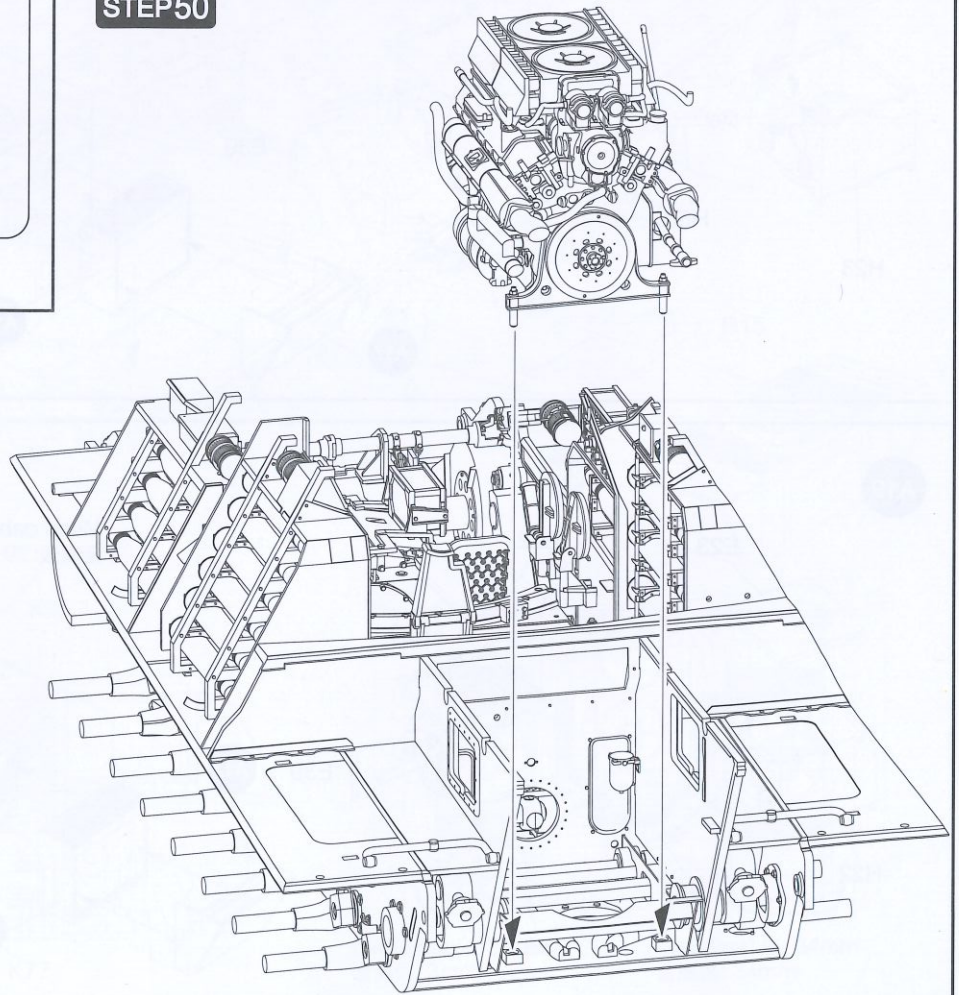
**STEP47**



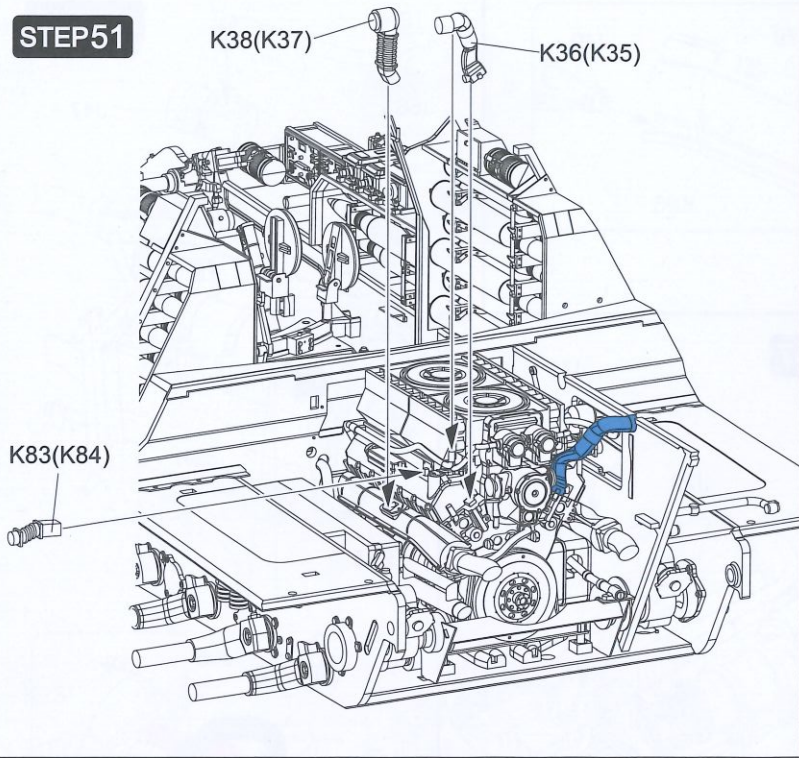
**STEP49**



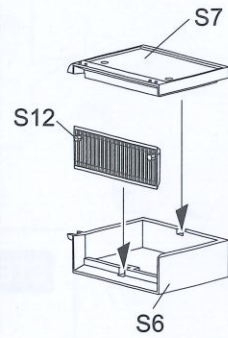
**STEP50**



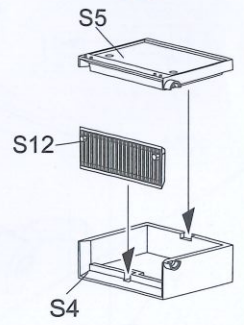
**STEP 51**



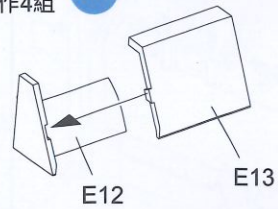
MAKE 2  
製作2組 **A15**



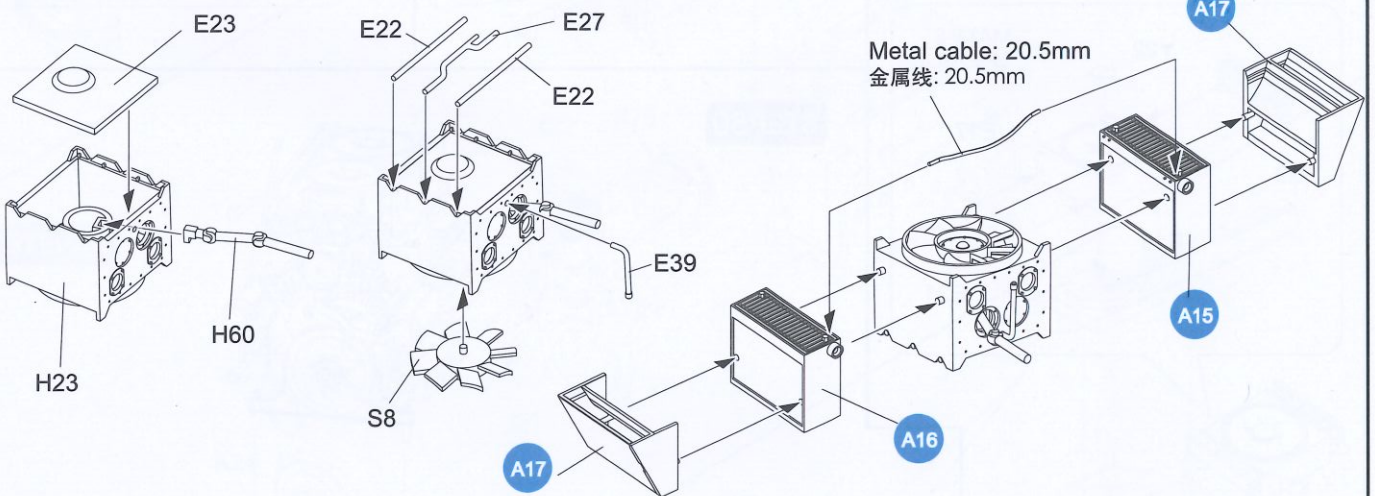
MAKE 2  
製作2組 **A16**



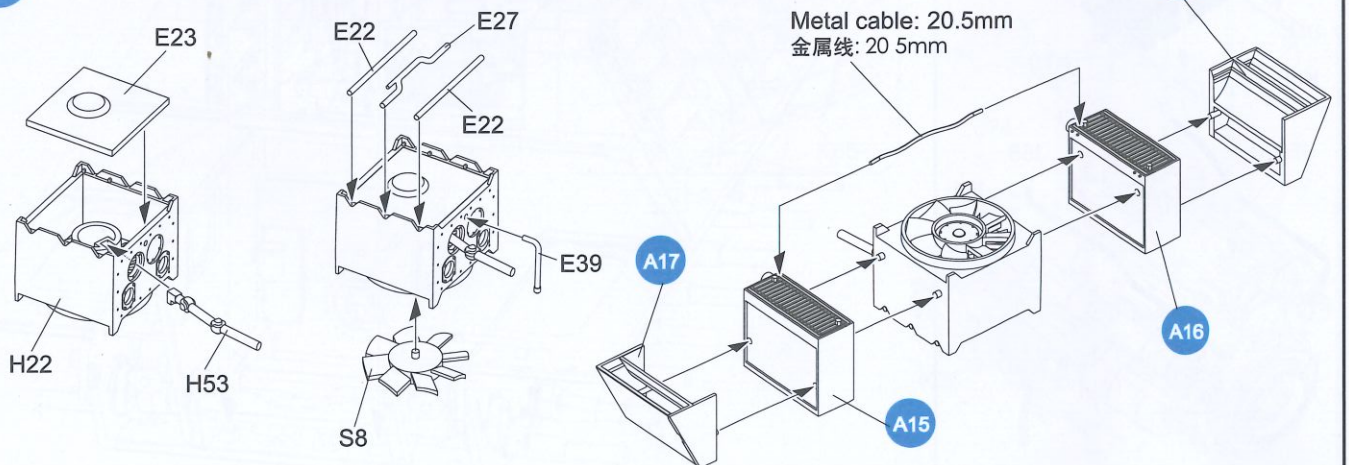
MAKE 4  
製作4組 **A17**



**A18**

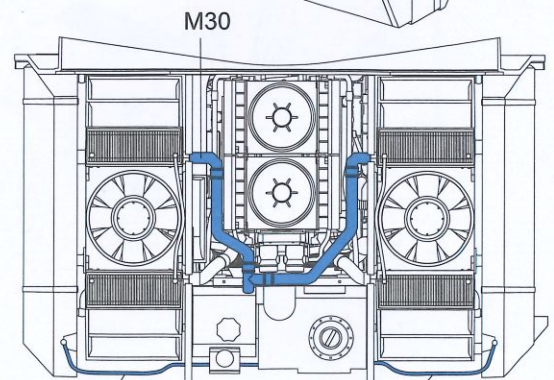
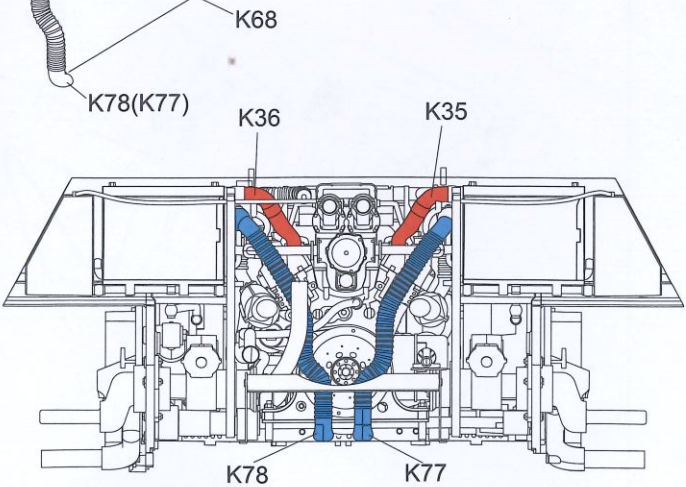
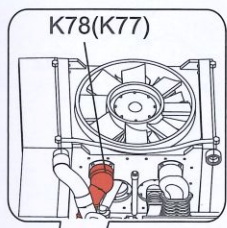
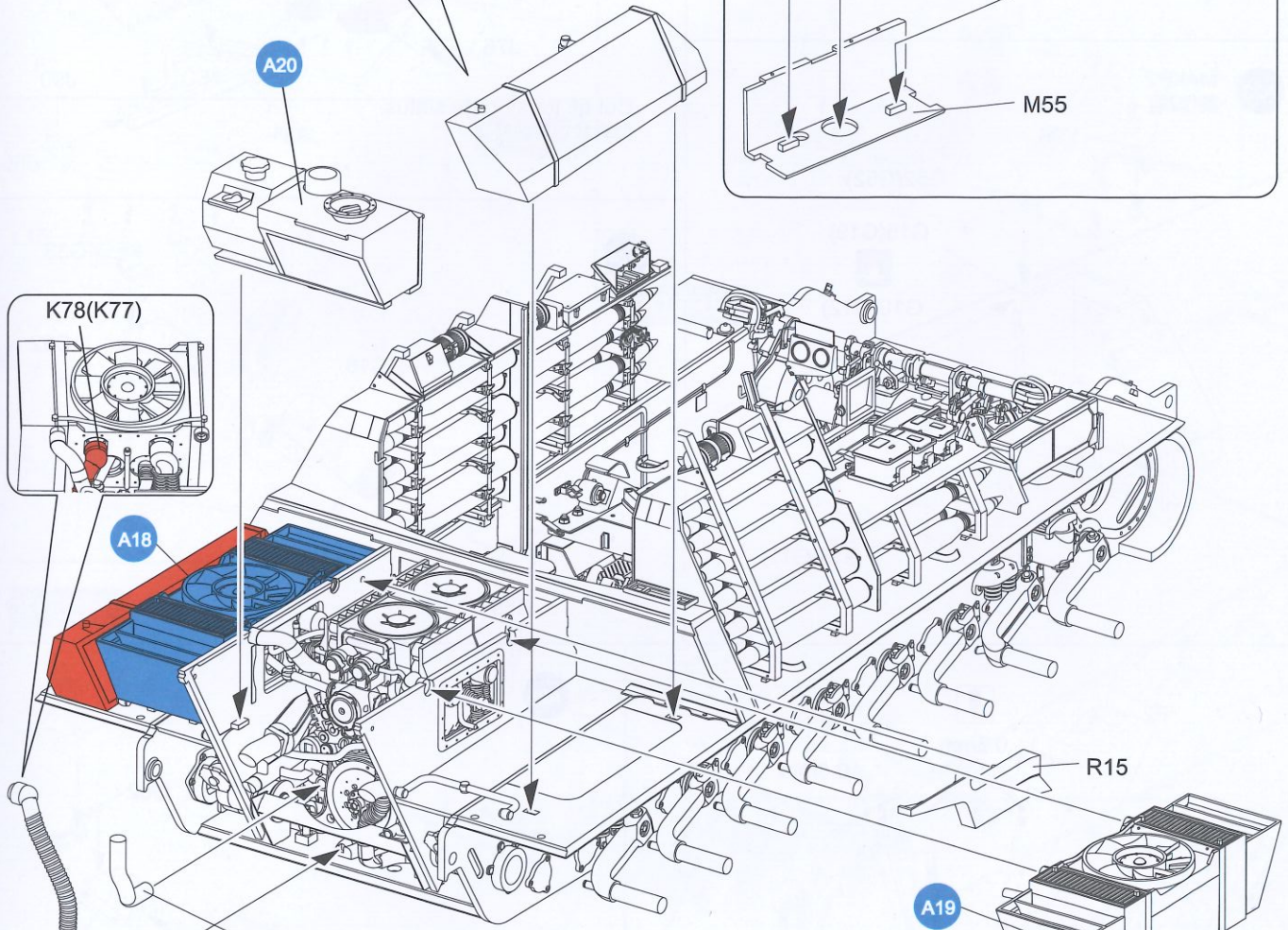
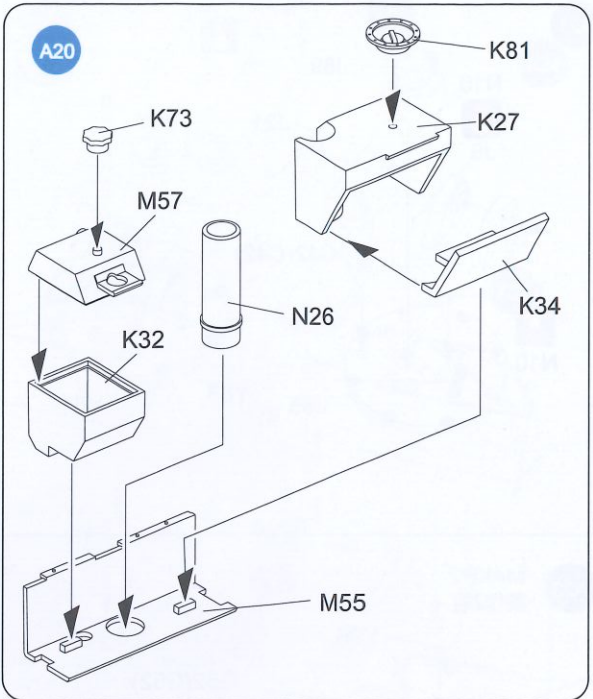
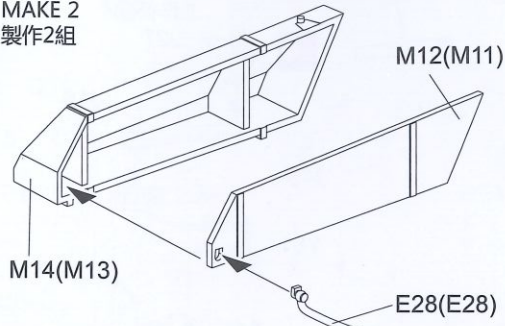


**A19**



**STEP52**

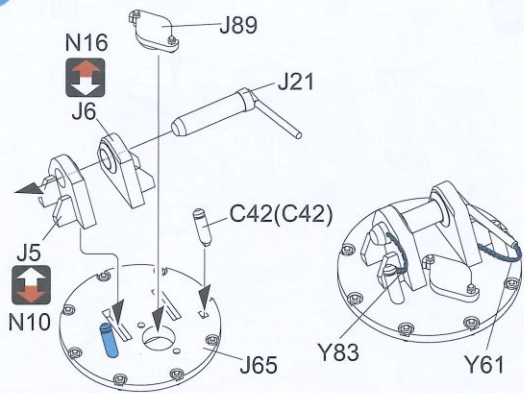
MAKE 2  
製作2組



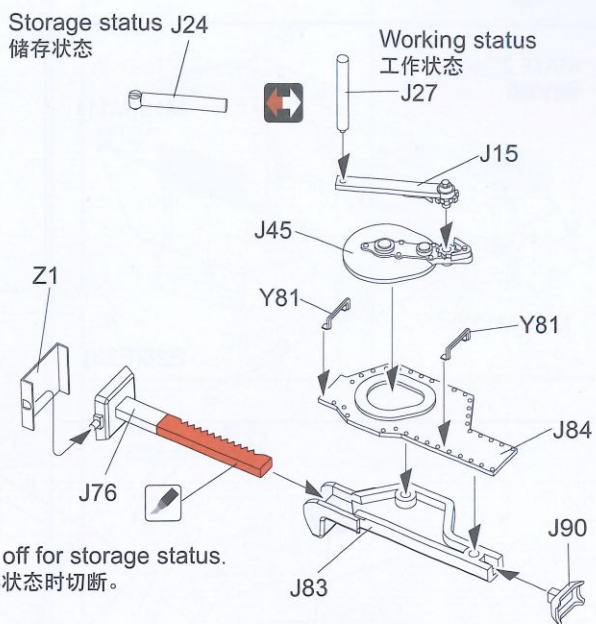
Metal cable: 34mm  
金属线: 34mm

Metal cable: 34mm  
金属线: 34mm

A21

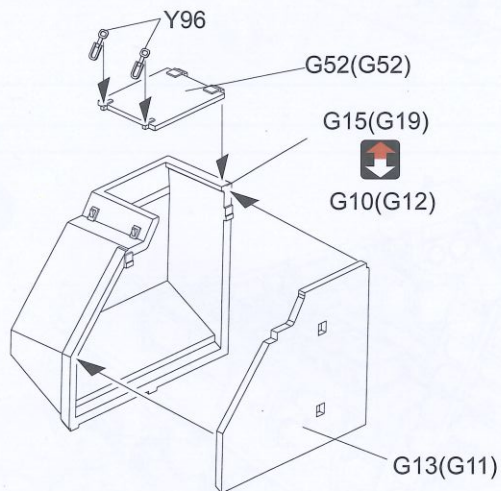


A22

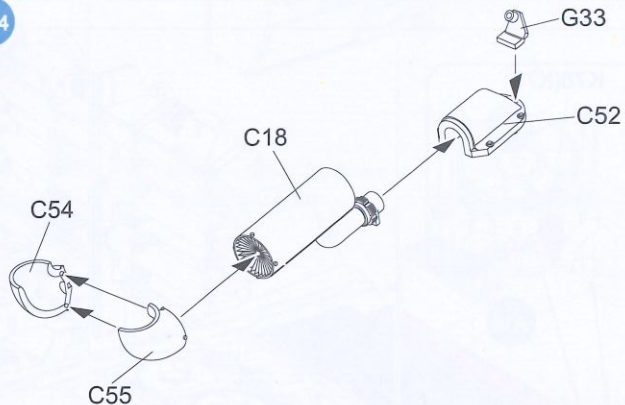


A23

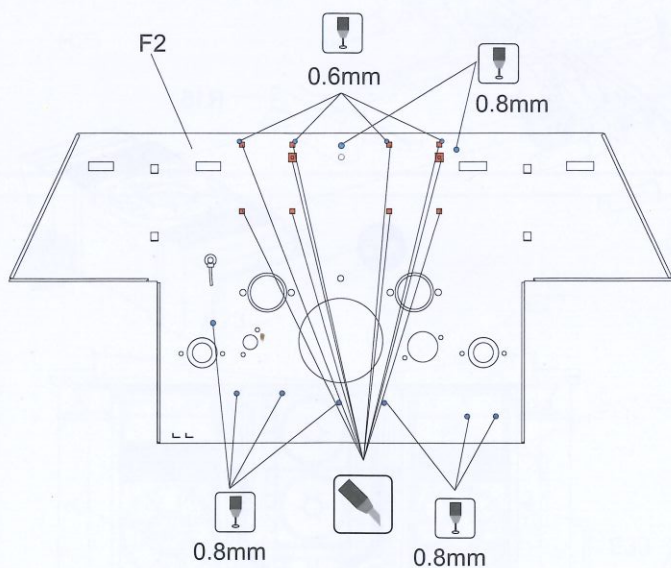
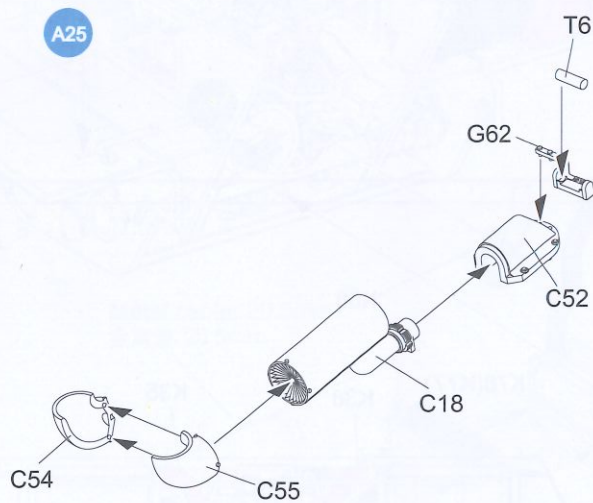
MAKE 2  
製作2組



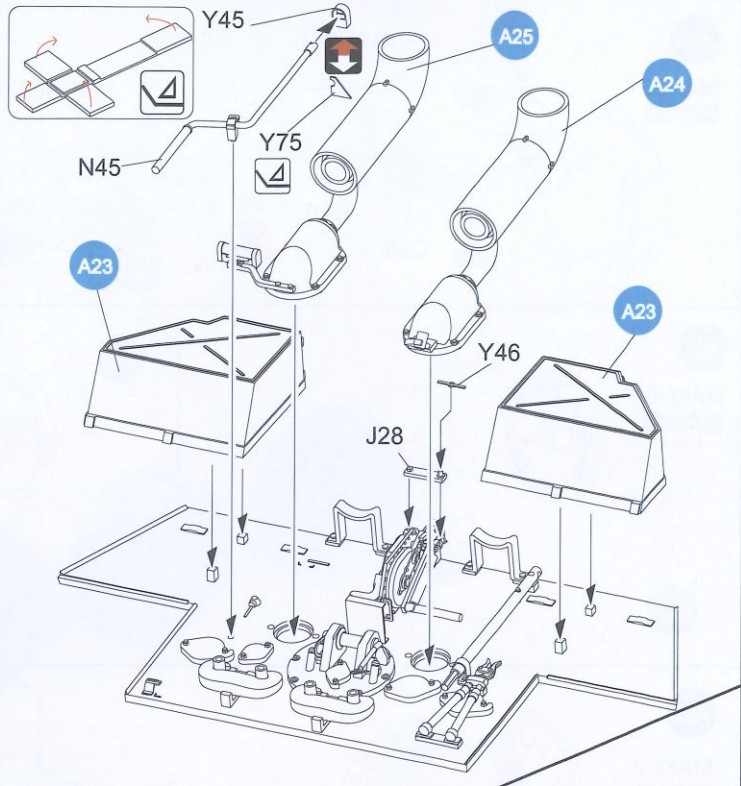
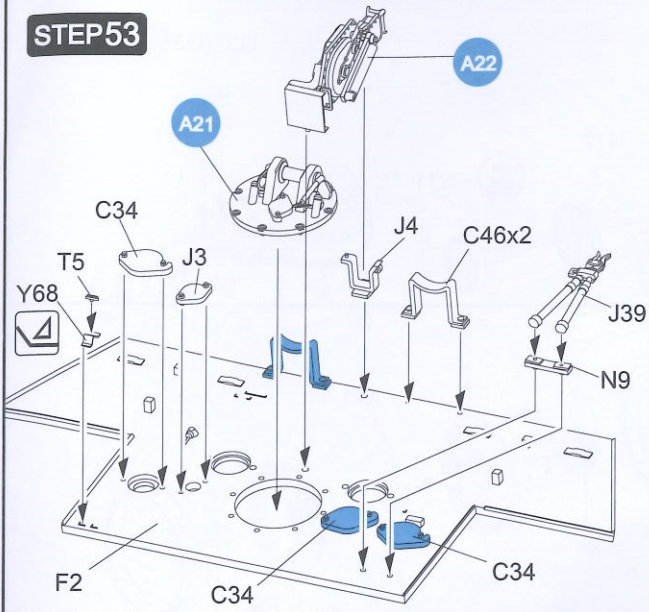
A24



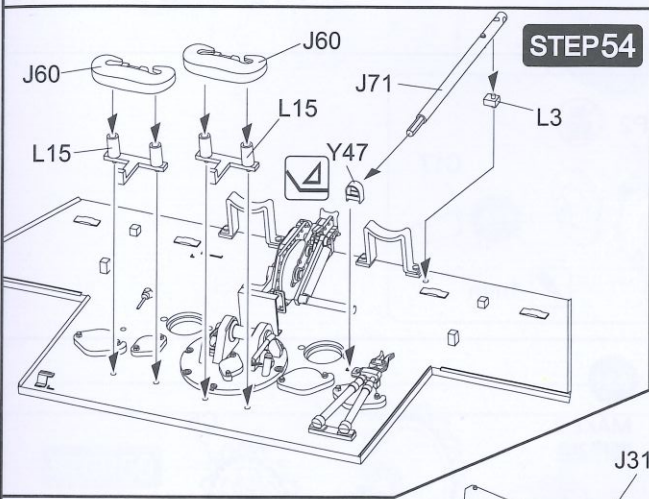
A25



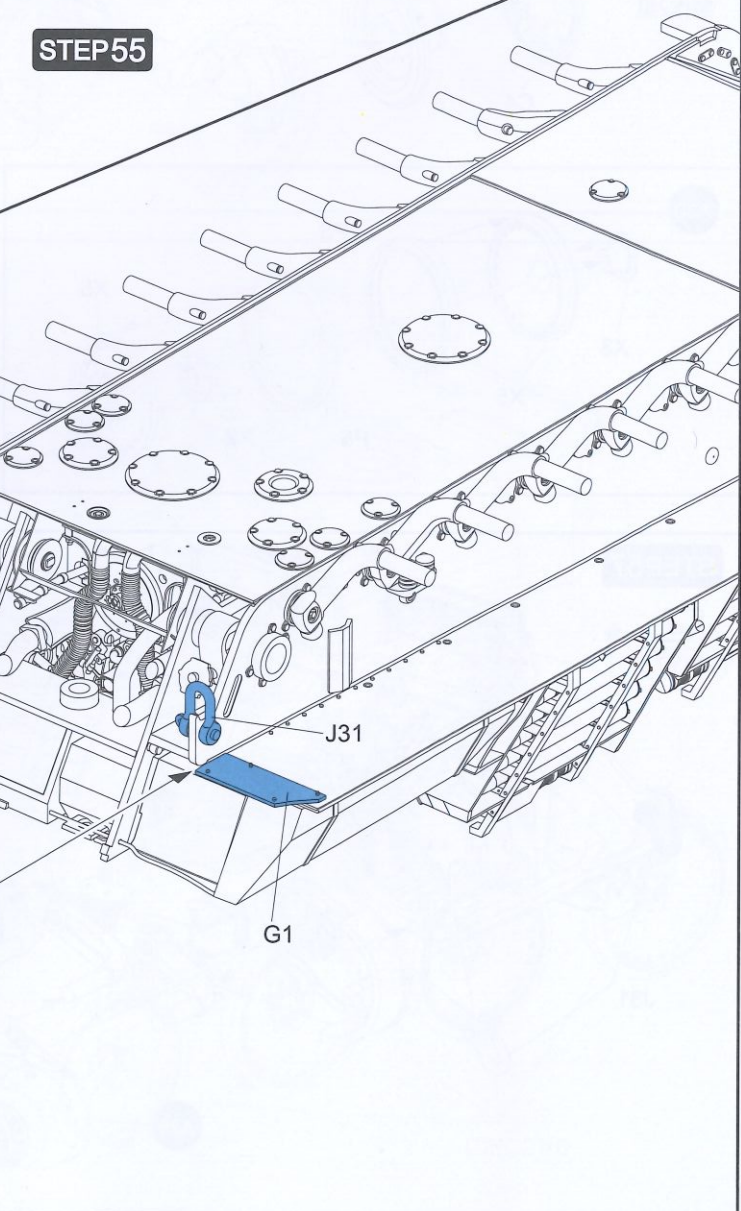
**STEP53**



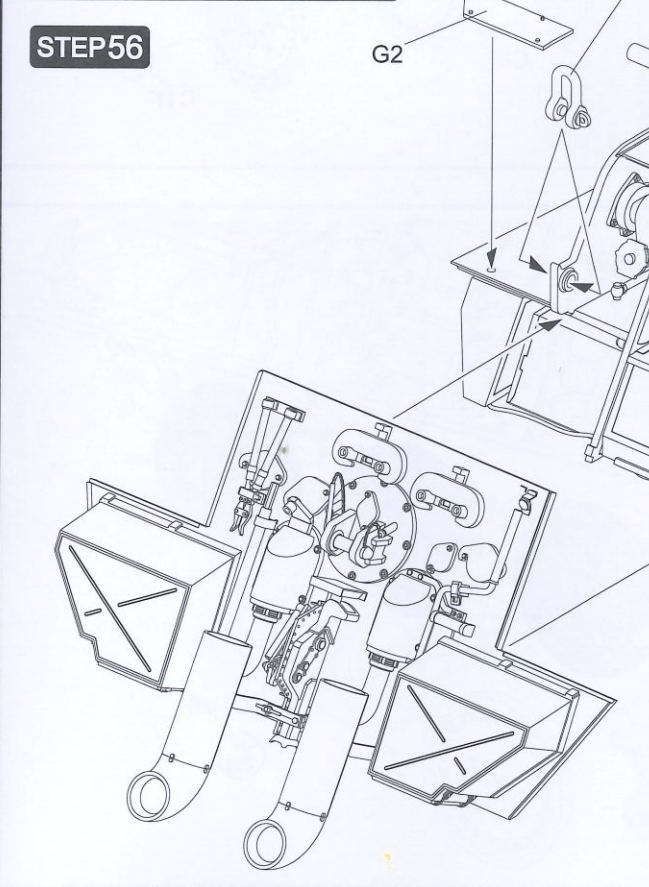
**STEP54**



**STEP55**

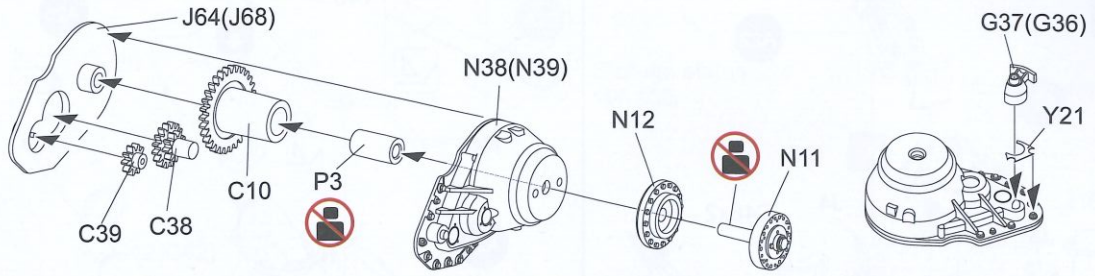


**STEP56**



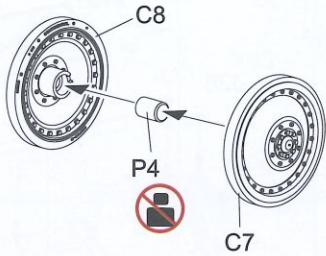
A26

MAKE 2  
製作2組

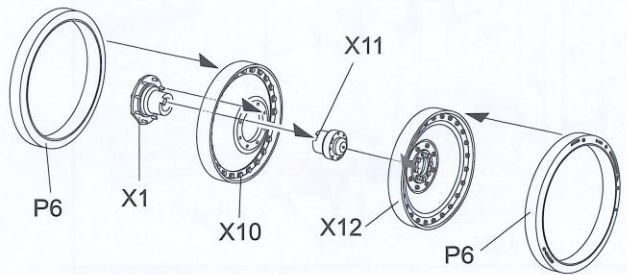


A27

MAKE 8  
製作8組

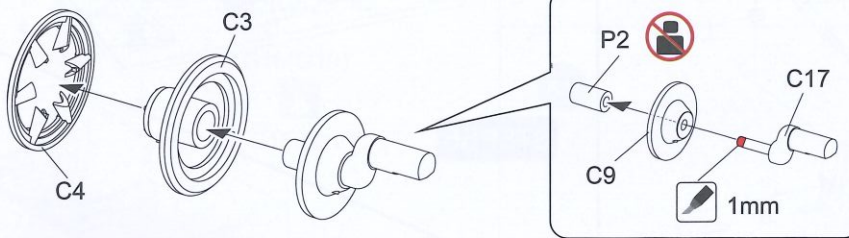


A28

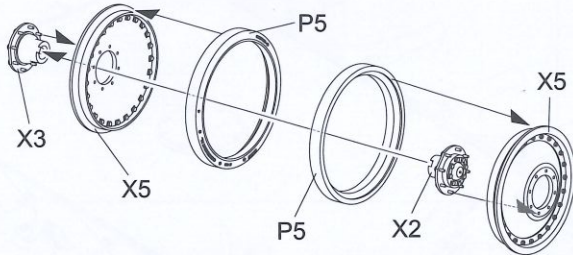


A29

MAKE 2  
製作2組

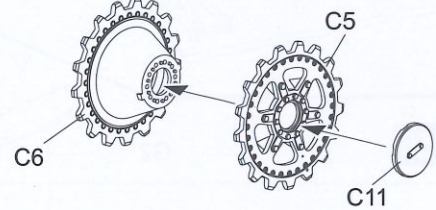


A30



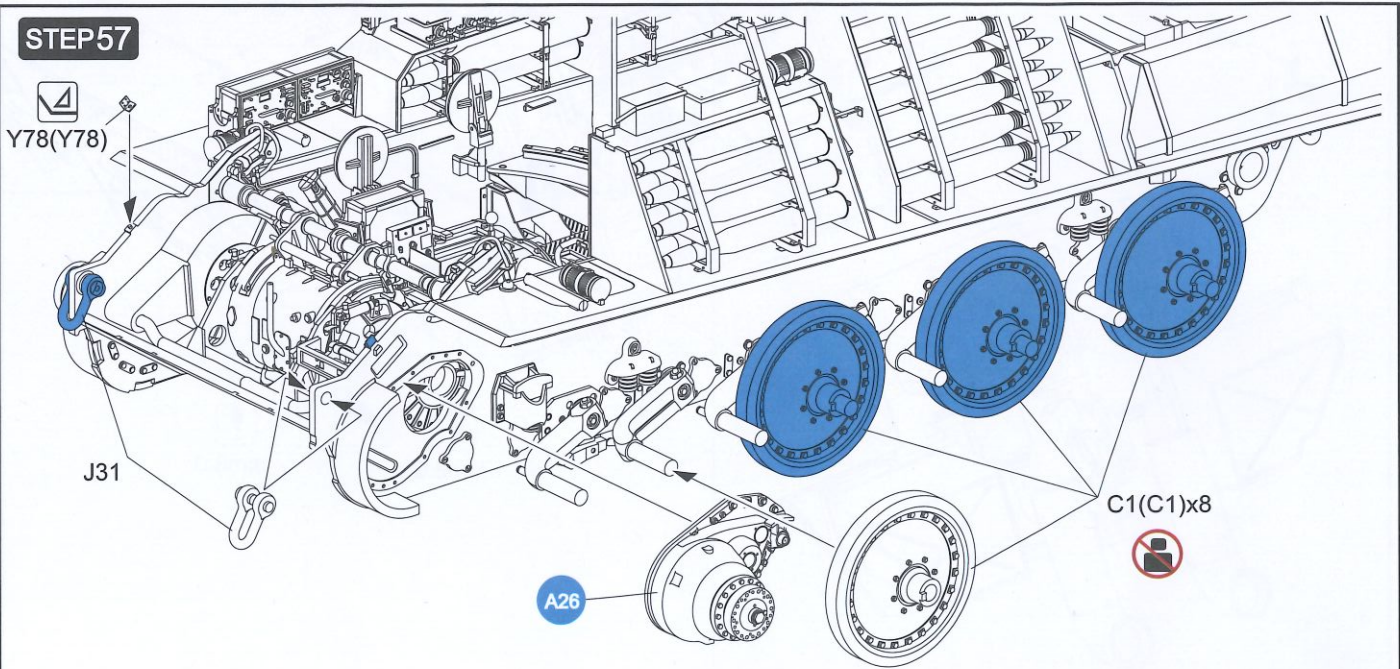
A31

MAKE 2  
製作2組



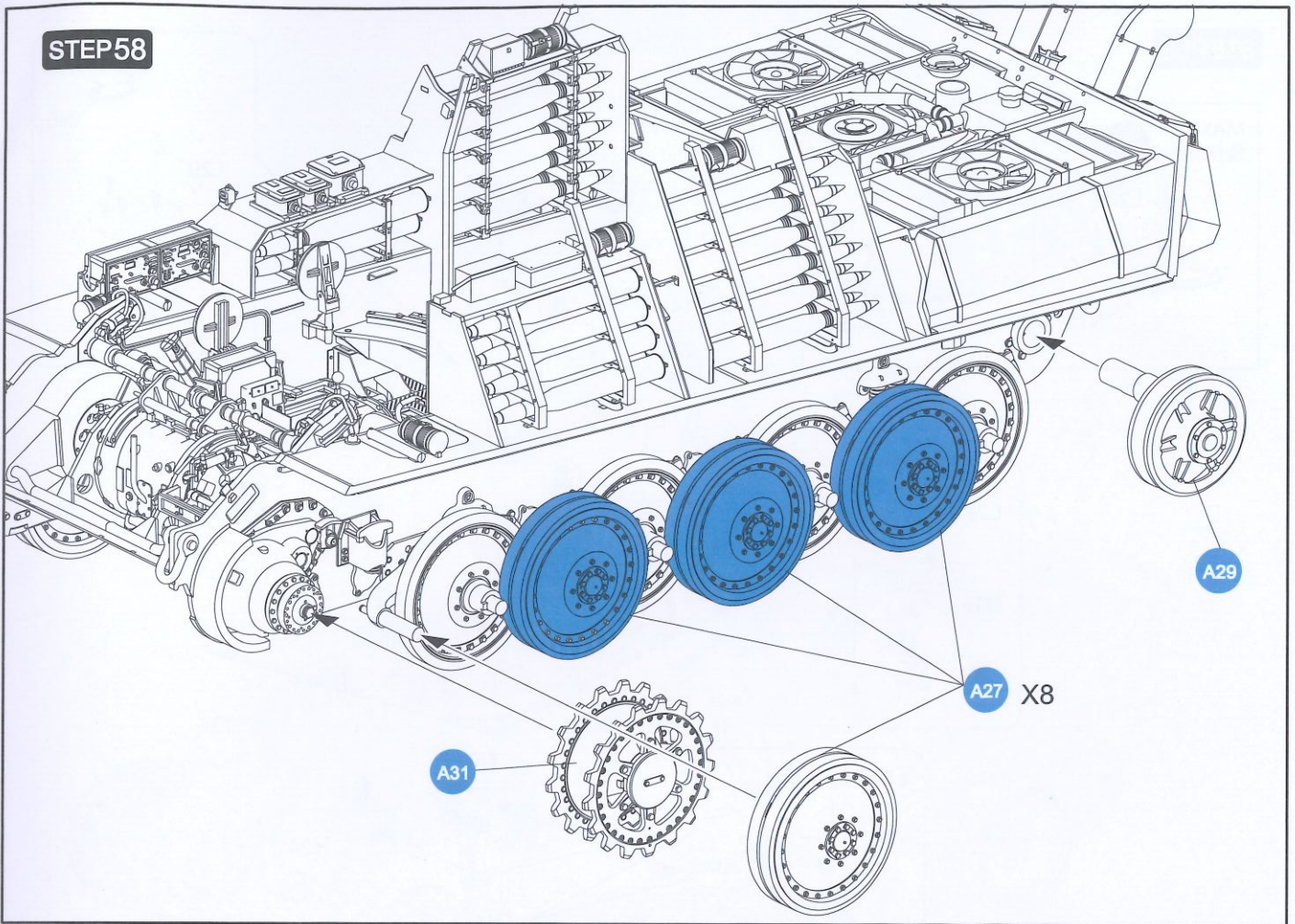
STEP 57

Y78(Y78)

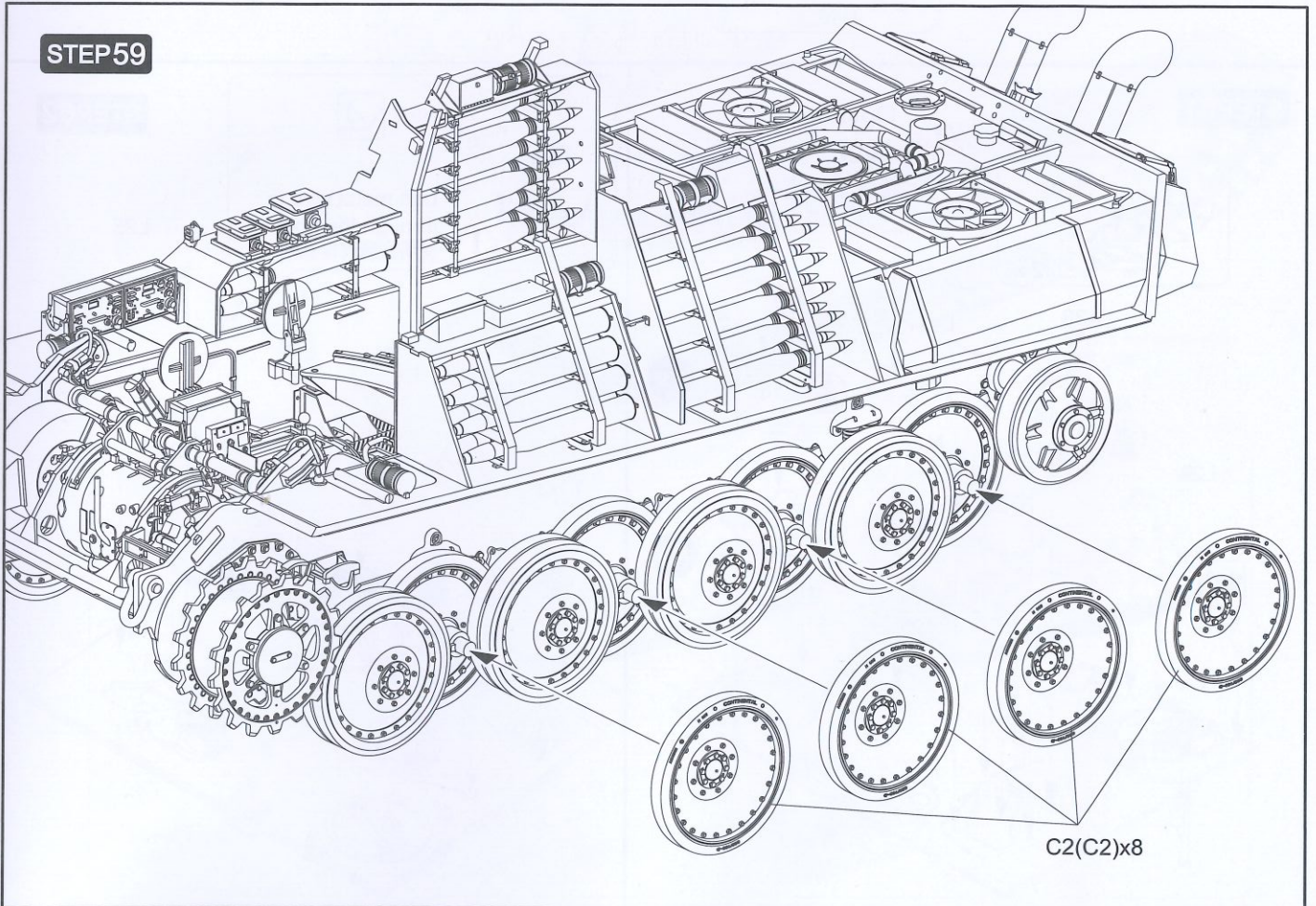




**STEP58**



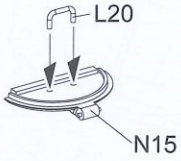
**STEP59**



# STEP60

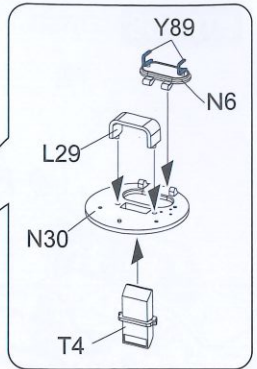
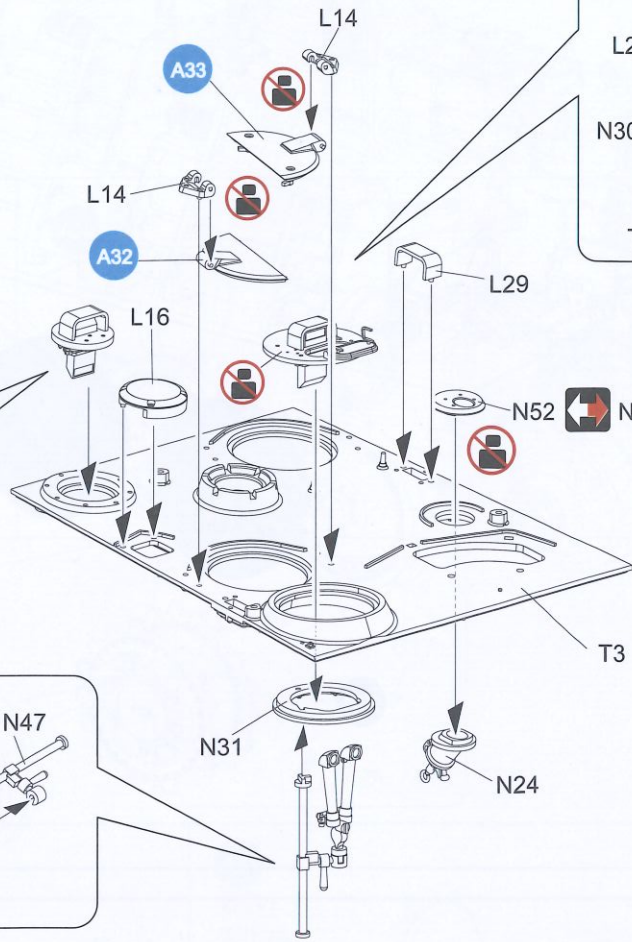
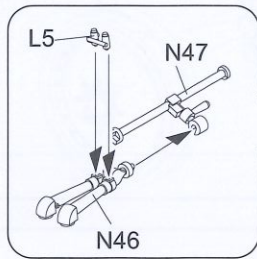
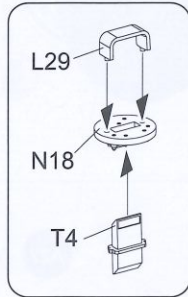
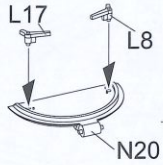
MAKE 2  
製作2組

A32



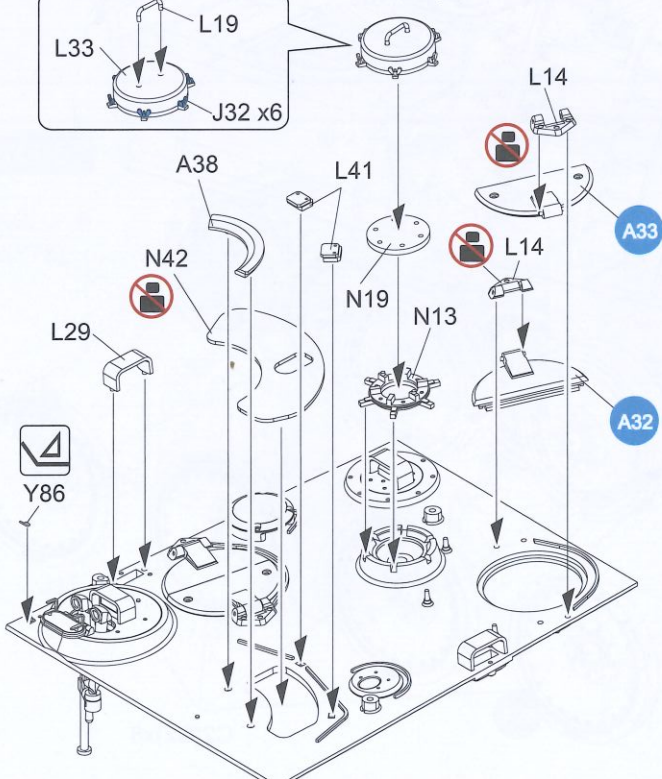
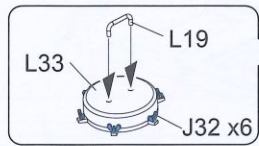
MAKE 2  
製作2組

A33



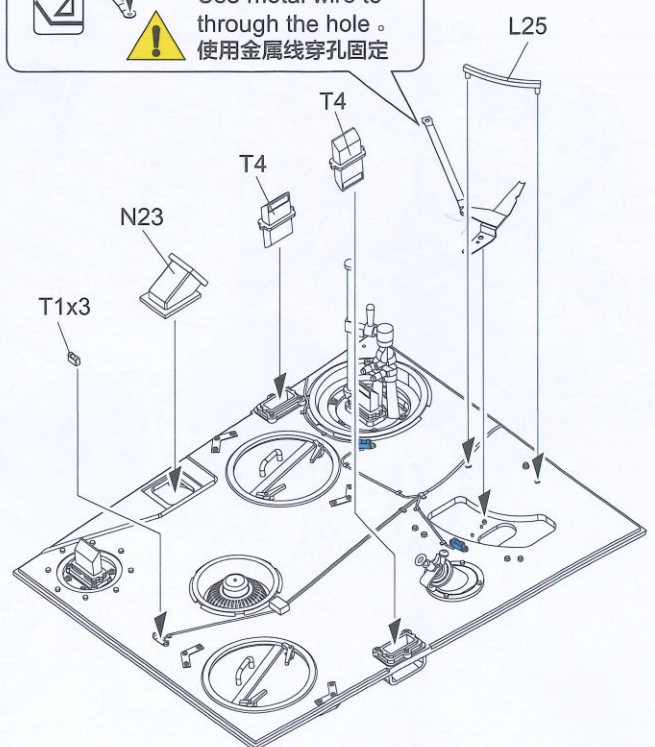
# STEP61

Optional  
选装

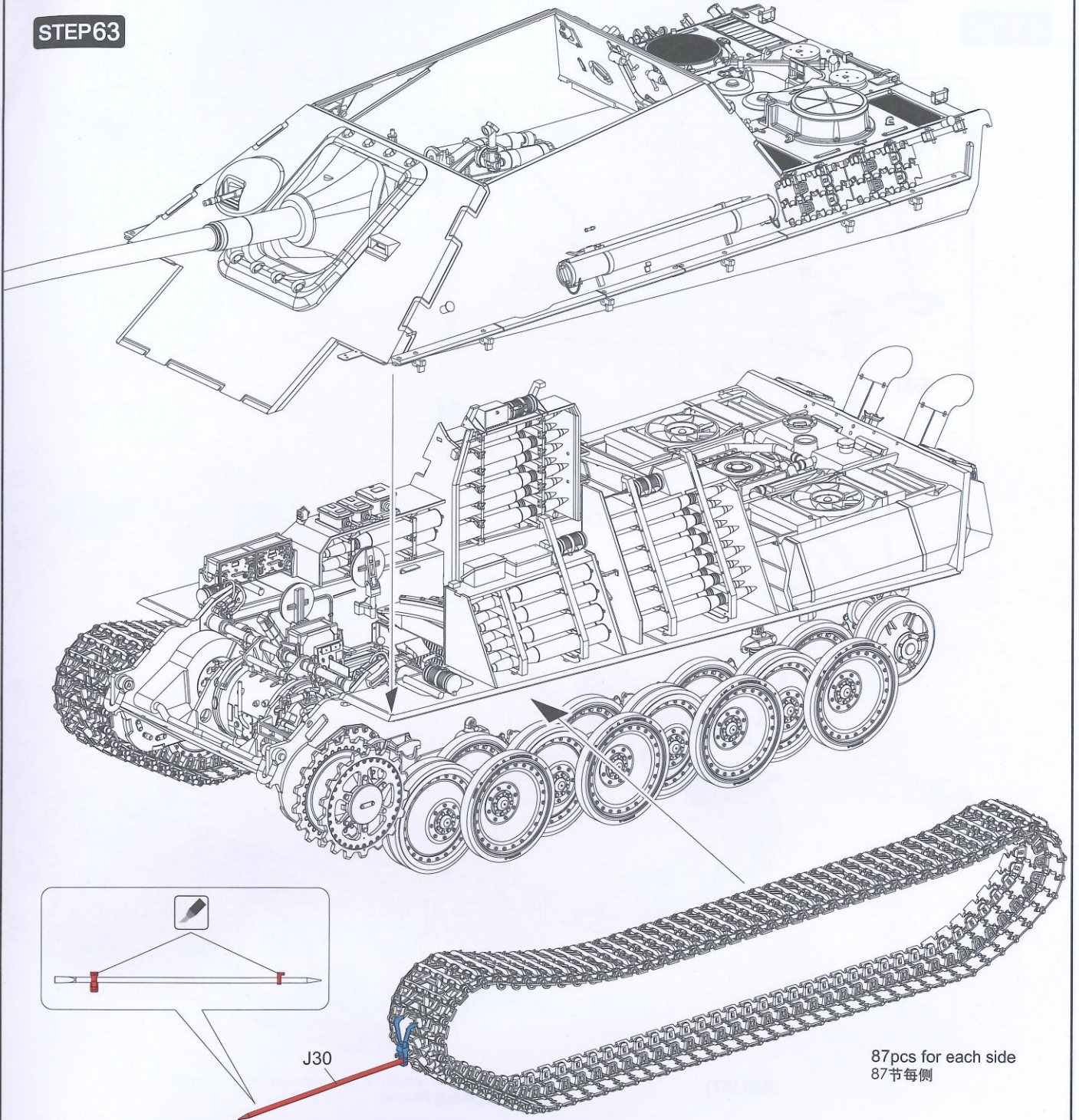


# STEP62

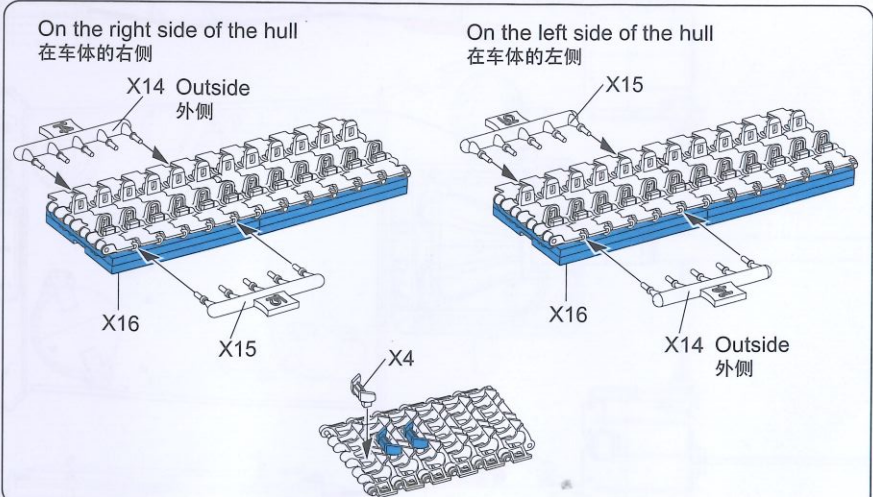
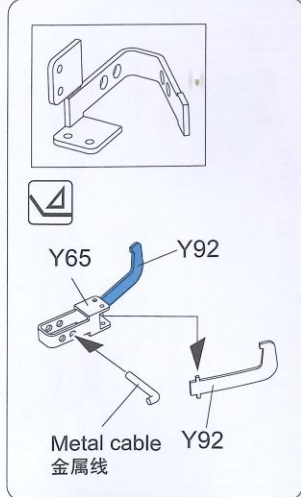
Y79 Y29  
Use metal wire to  
through the hole.  
使用金属线穿孔固定



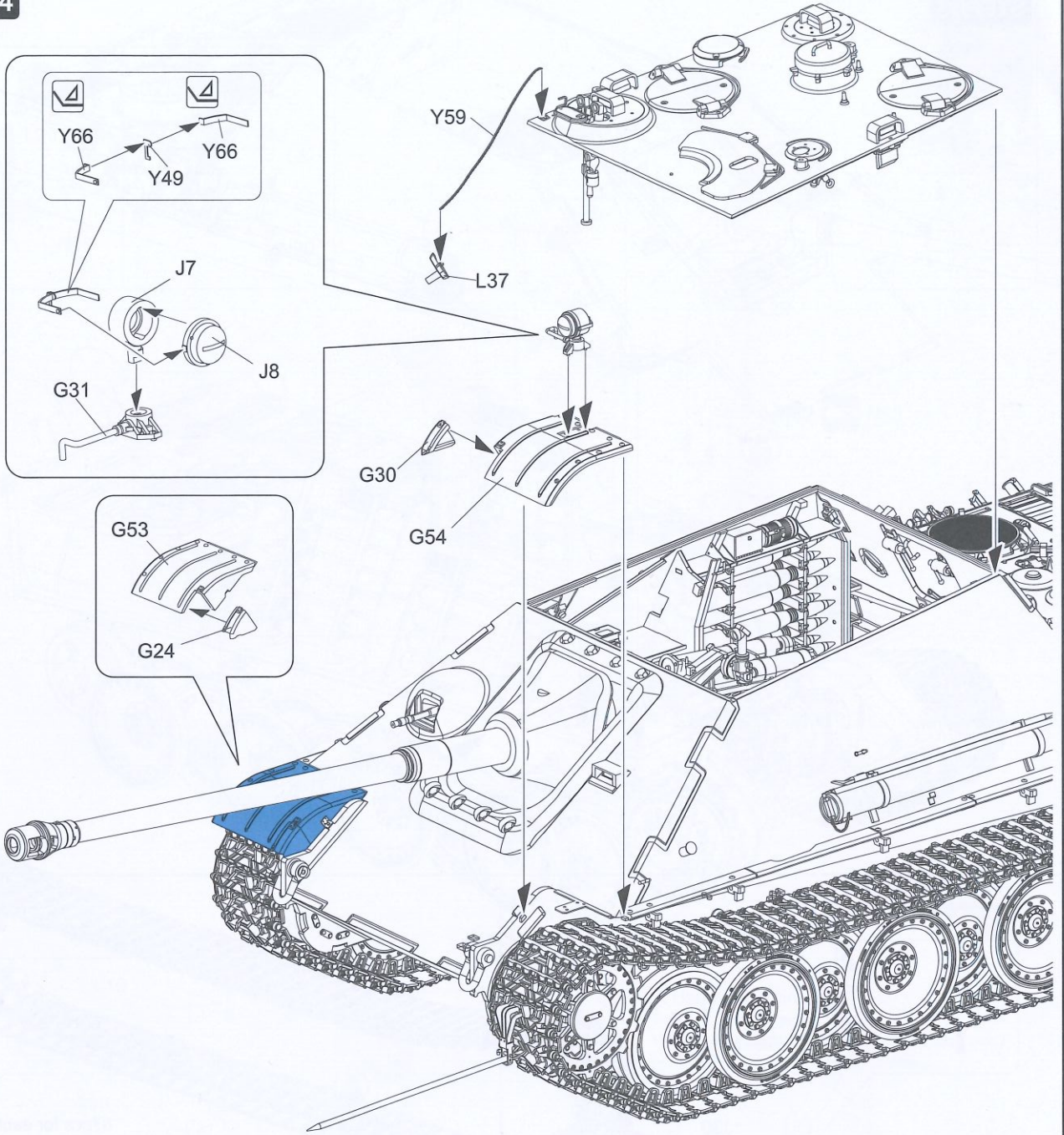
**STEP 63**



87 pcs for each side  
87节每侧



**STEP 64**



J86(J87)

Each side of the length of the metal cable is 200mm.  
 缆绳的长度单侧是200mm。

