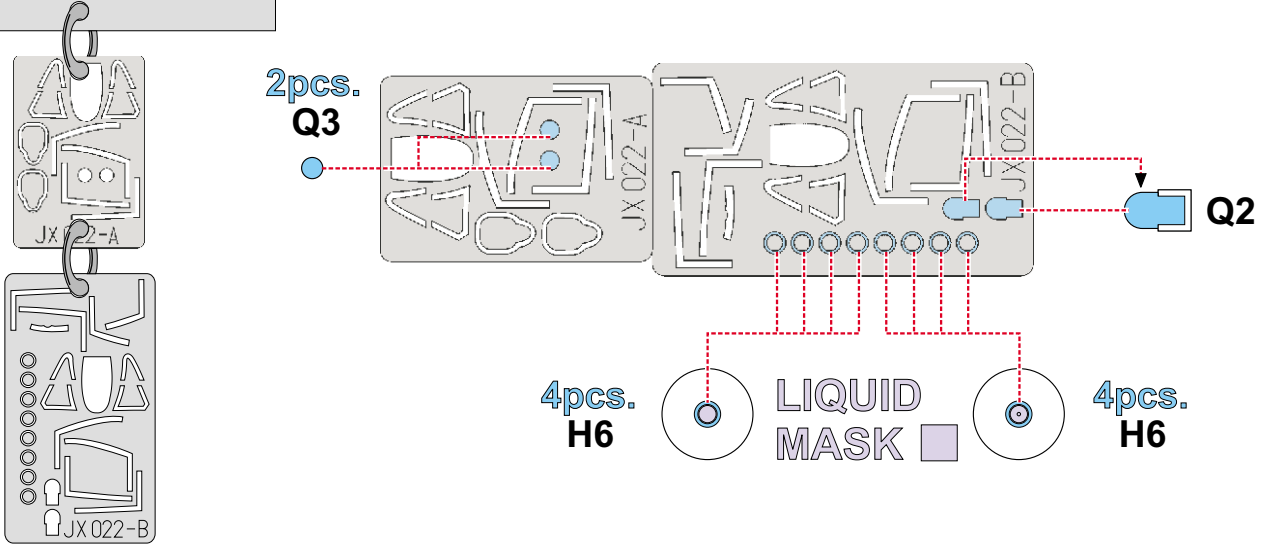


eduard
MASK

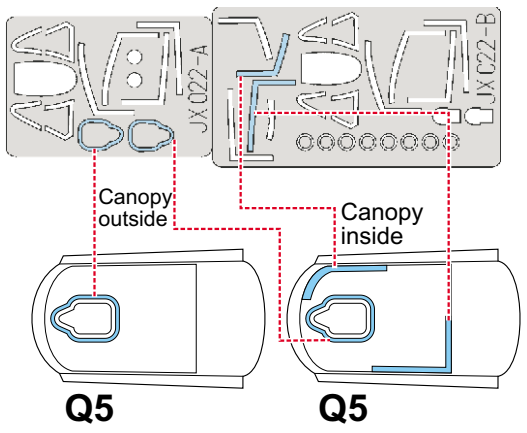
MiG-21 MF 1/32

The die-cut mask for accurate canopy frame painting of the
Trumpeter 1/32 KIT

JX 022

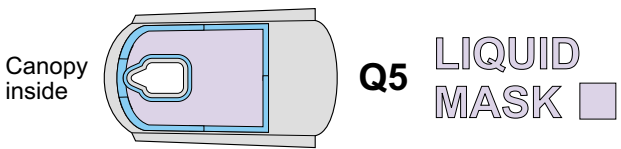


1.)

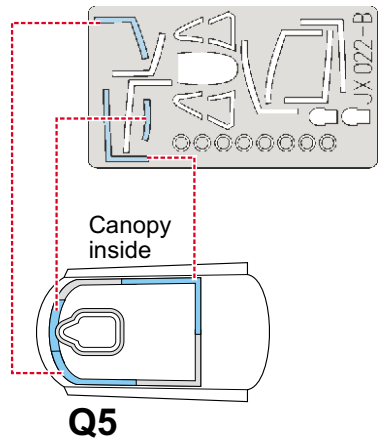


3.)

INTERIOR COLOR

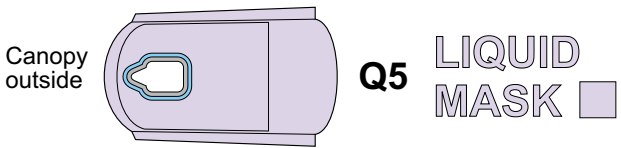


2.)

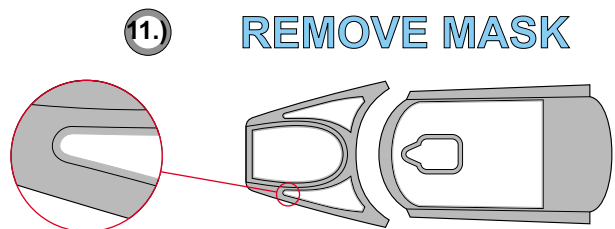
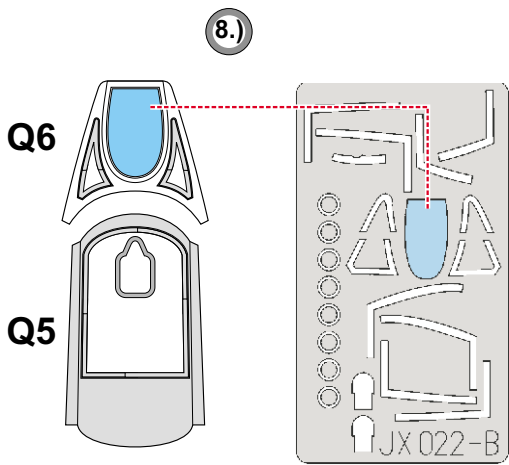
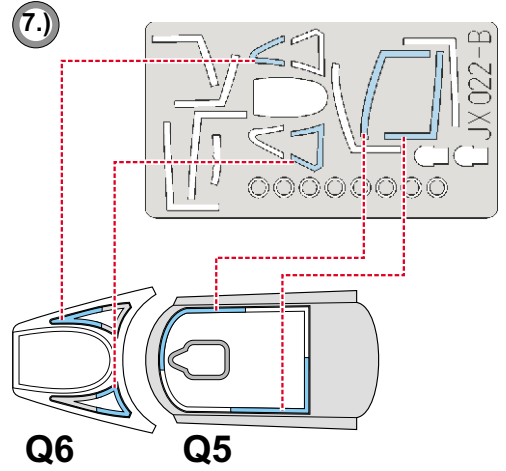
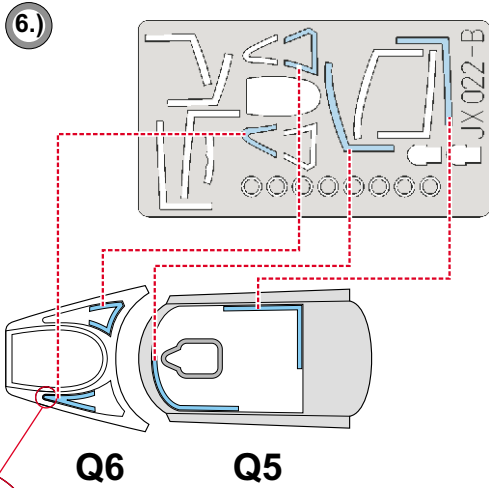
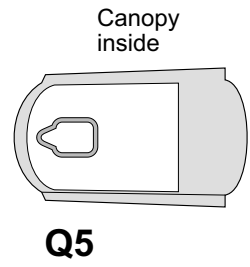
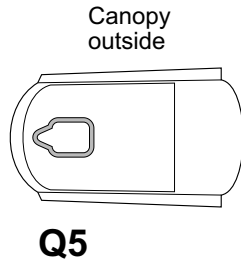


4.)

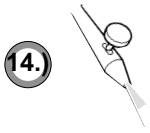
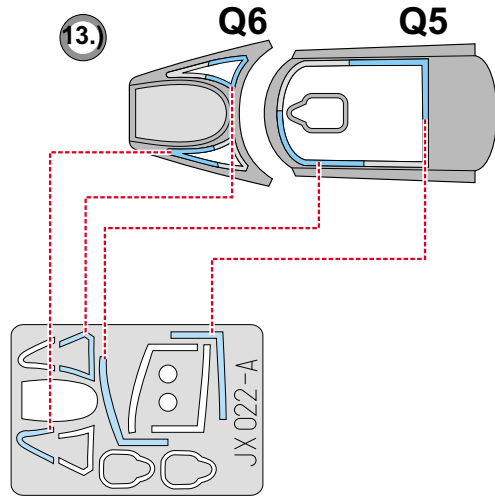
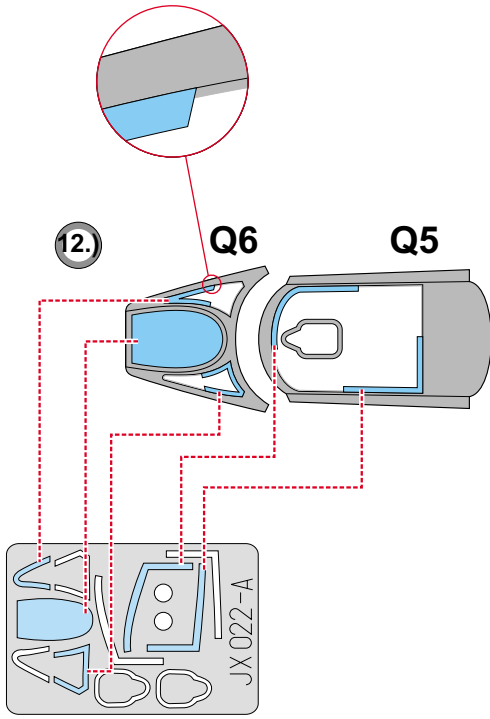
CAMOUFLAGE COLOR



5.) REMOVE MASK

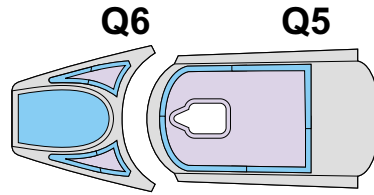


LIQUID MASK ■



14.

CAMOUFLAGE COLOR



LIQUID MASK ■

15.

REMOVE MASK

