

READ BEFORE ASSEMBLY

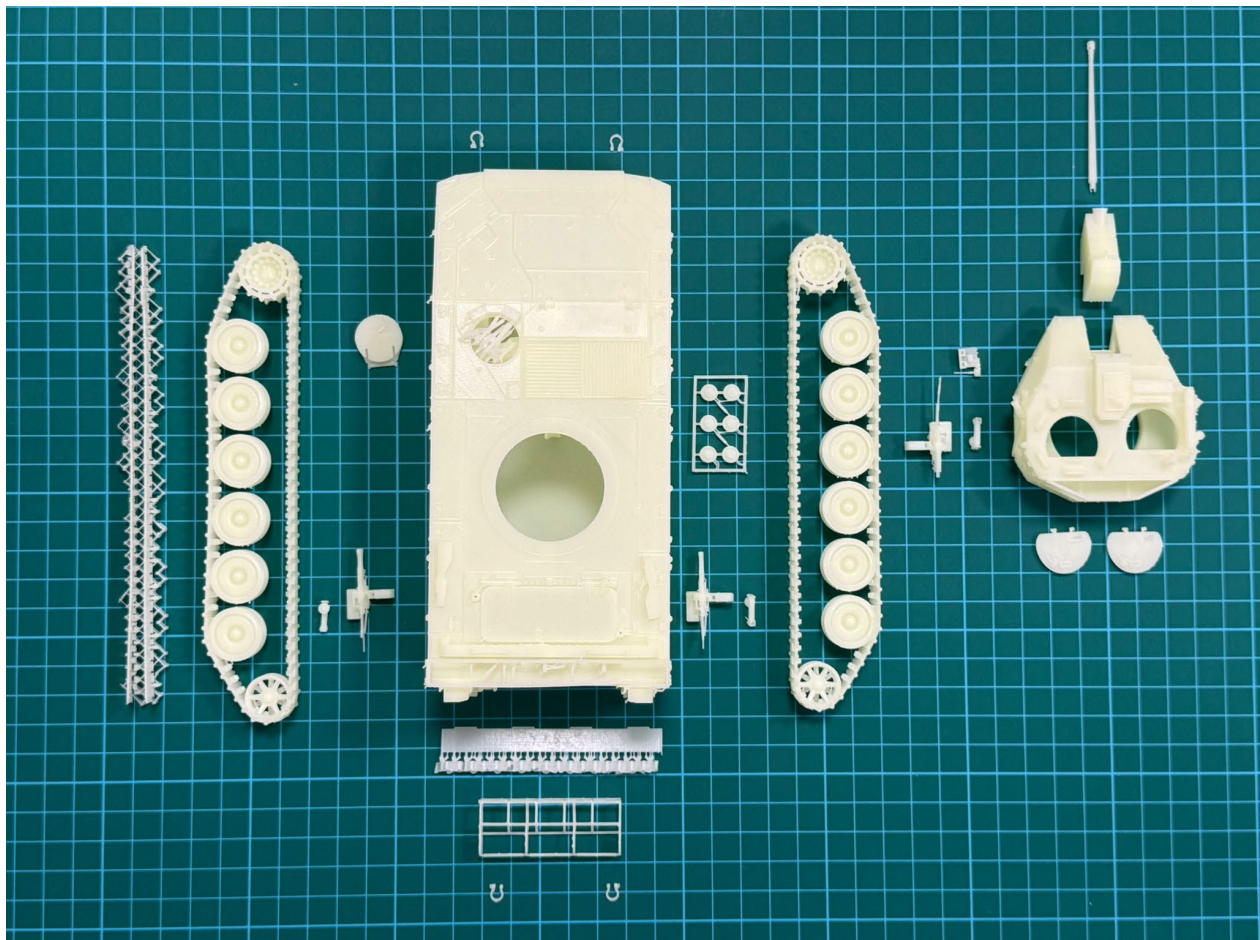
1. Remove the excess print gates from the parts with a cutter carefully.
2. Should the parts warp, you may straighten the parts with a tweezer in the hot water.
3. Apply superglue to attach the (green) parts as shown in the diagram.

RECOMMENDED COLOUR

Main Body : Tamiya XF-22 RLM Gray
Rubber Tire : Tamiya XF-85 Rubber Black

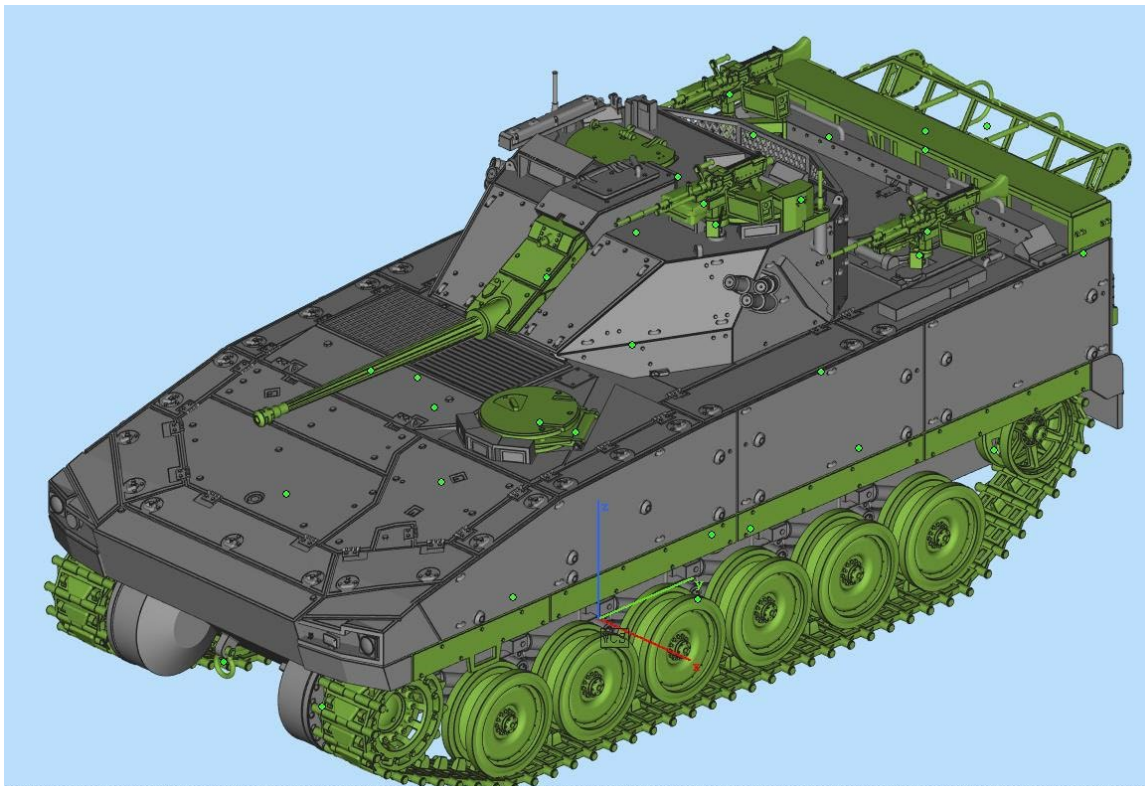
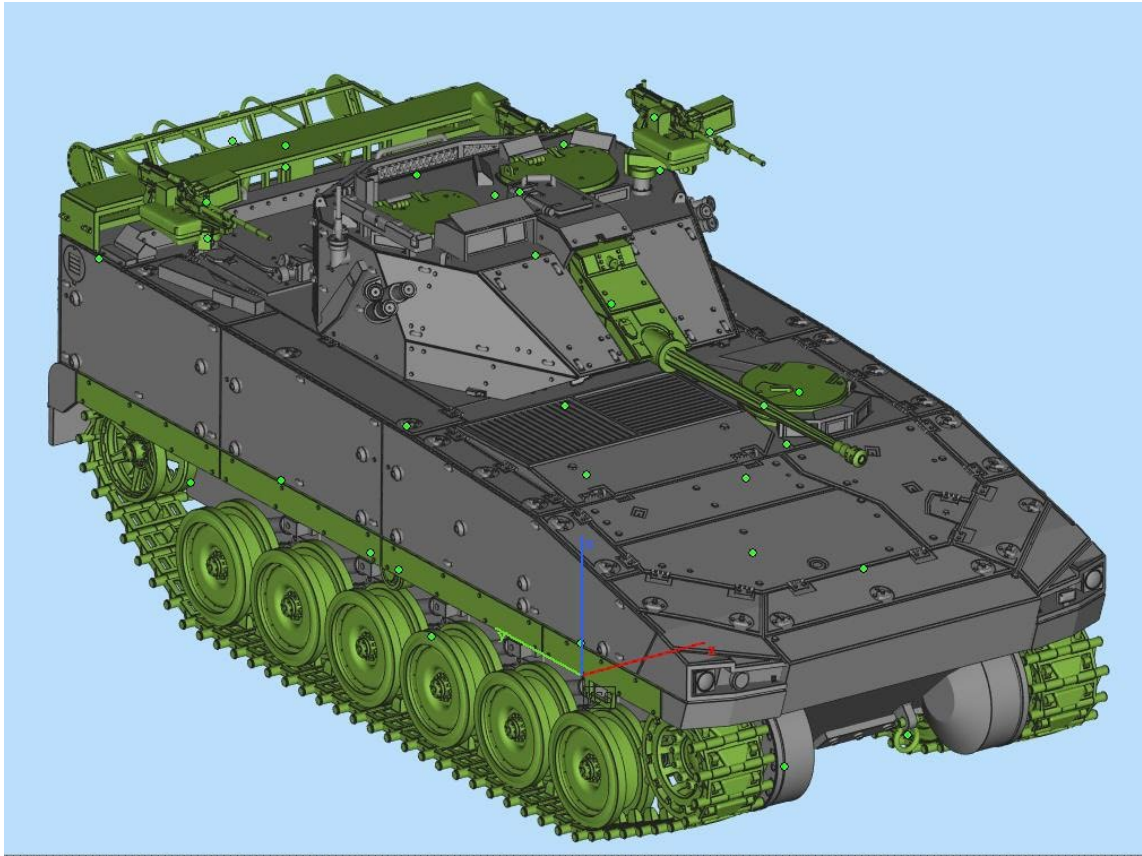
Machine Gun : Tamiya X-10 Gun Metal
Brake Light : Tamiya XF-27 Clear Red

PARTS LAYOUT



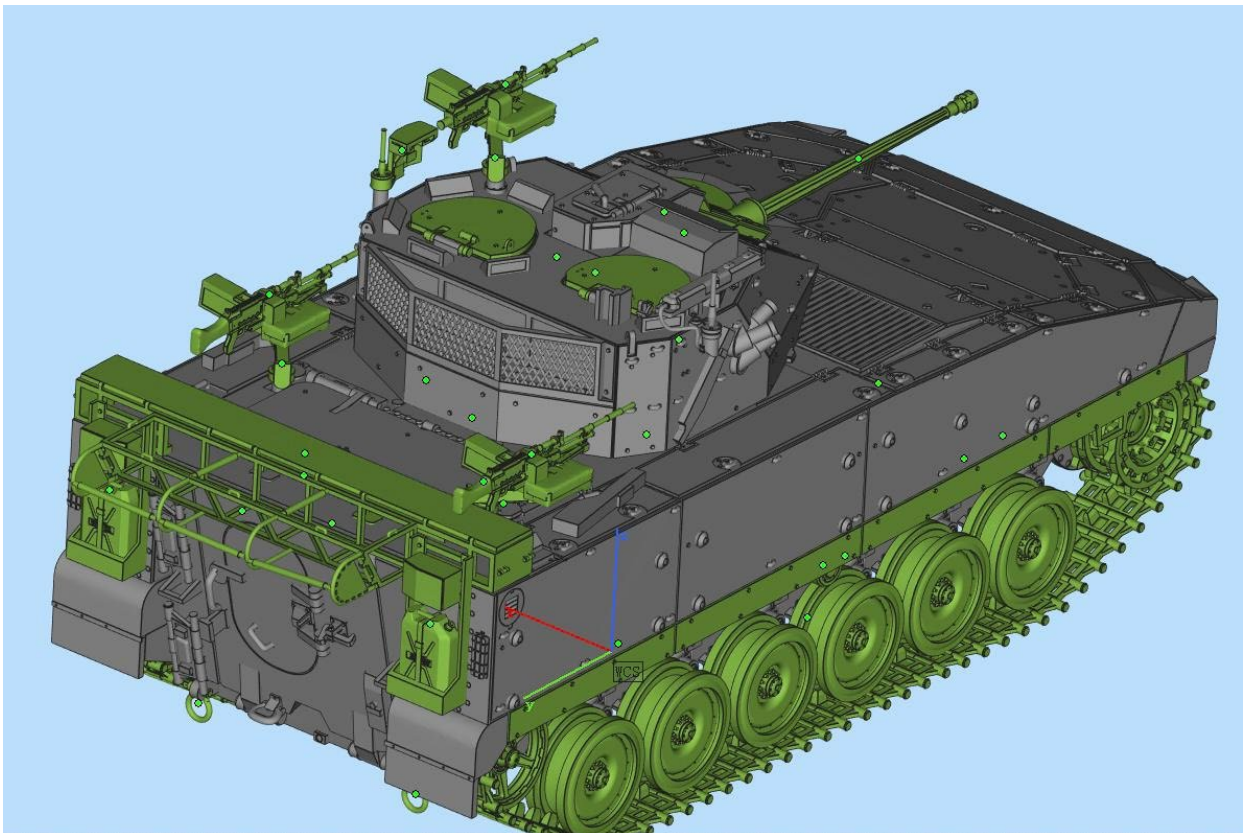
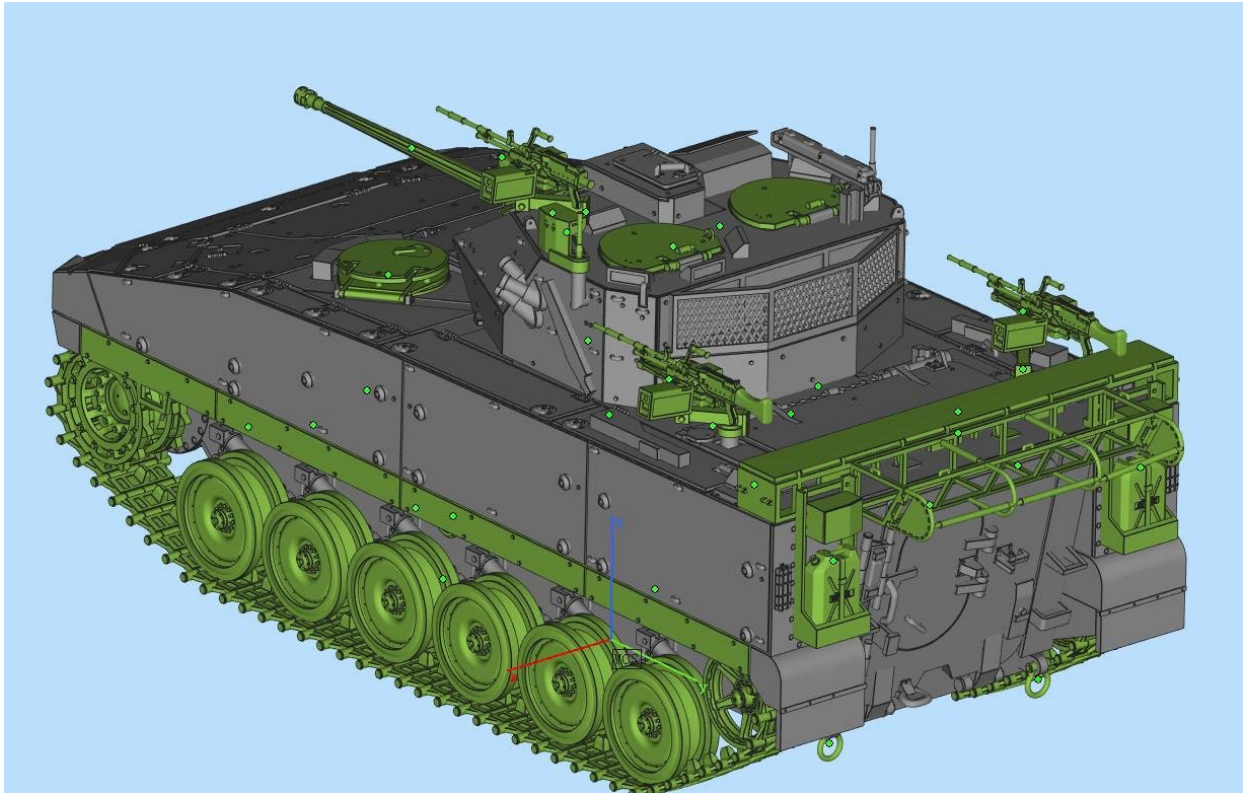
PARTS ATTACHMENT

Attached the green coloured parts as shown in the diagram accordingly.



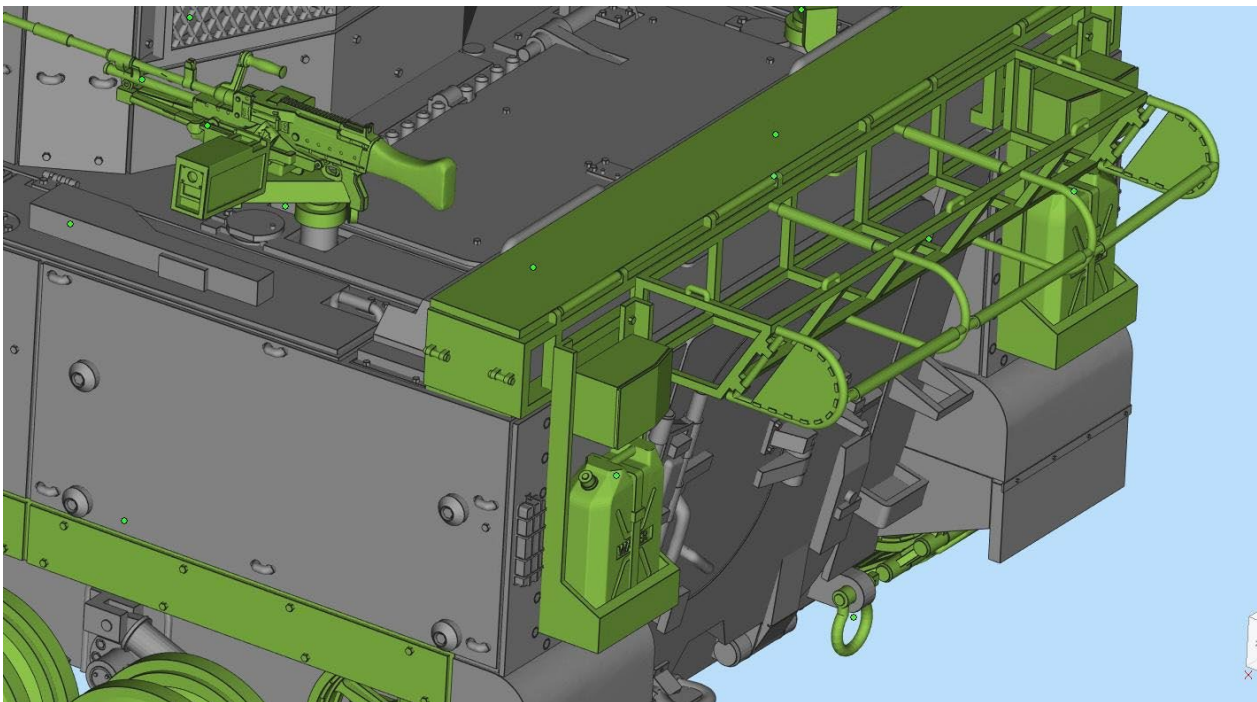
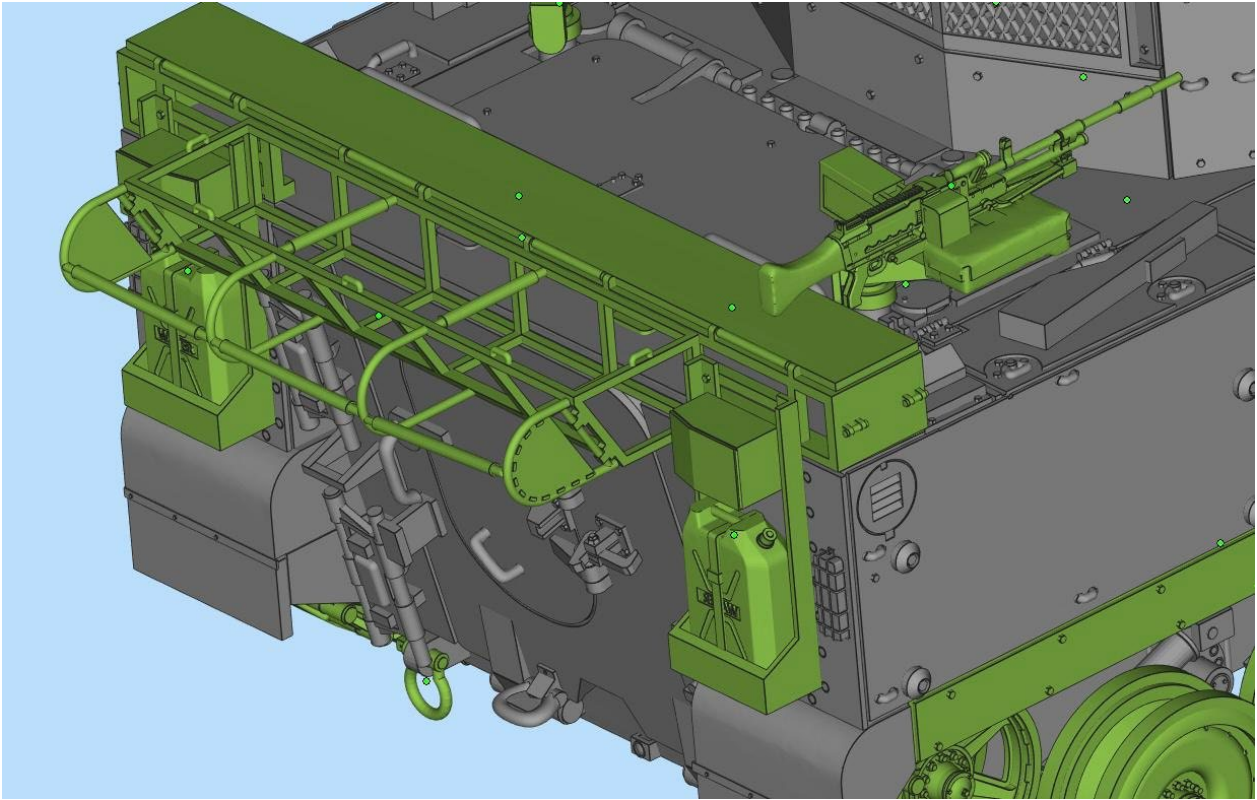
PARTS ATTACHMENT

Attached the green coloured parts as shown in the diagram accordingly.



PARTS ATTACHMENT

Attached the green coloured parts as shown in the diagram accordingly.



PARTS ATTACHMENT

Attached the green coloured parts as shown in the diagram accordingly.

