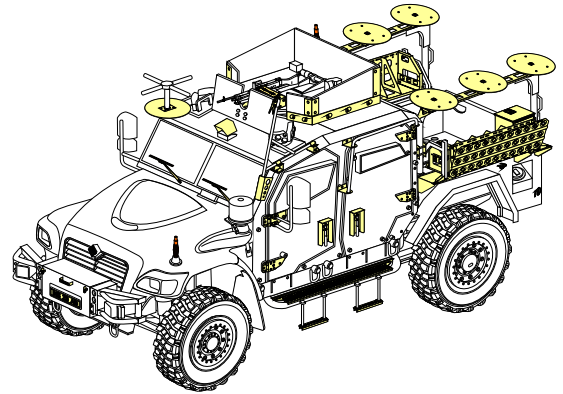


1/35 MILITARY MINIATURE VEHICLE UPGRADE SERIES PE35972

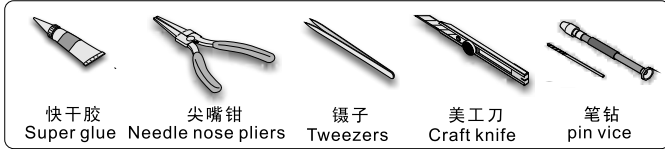
Modern British Husky T.S.V. Basic

现代英军哈士奇战术支援车

[For MENG VS-009]



■ 推荐使用工具 RECOMMENDED TOOLS



- 安装
install
- 折叠
bend
- A1**
改造件零件编号
PE/resin part number
- B12**
原零件编号
kit part number
- C22**
被替换的原零件编号
replaced kit part number
- 另一侧相同制作
repeat on opposite side
- 切除
remove
- 打磨
grind off
- 弧度卷曲
radial bending
- x2**
制作若干组
multiple assembly
- 选择安装
alternative
- 钻孔
drill
- 用胶棒制作
make from plastic rod

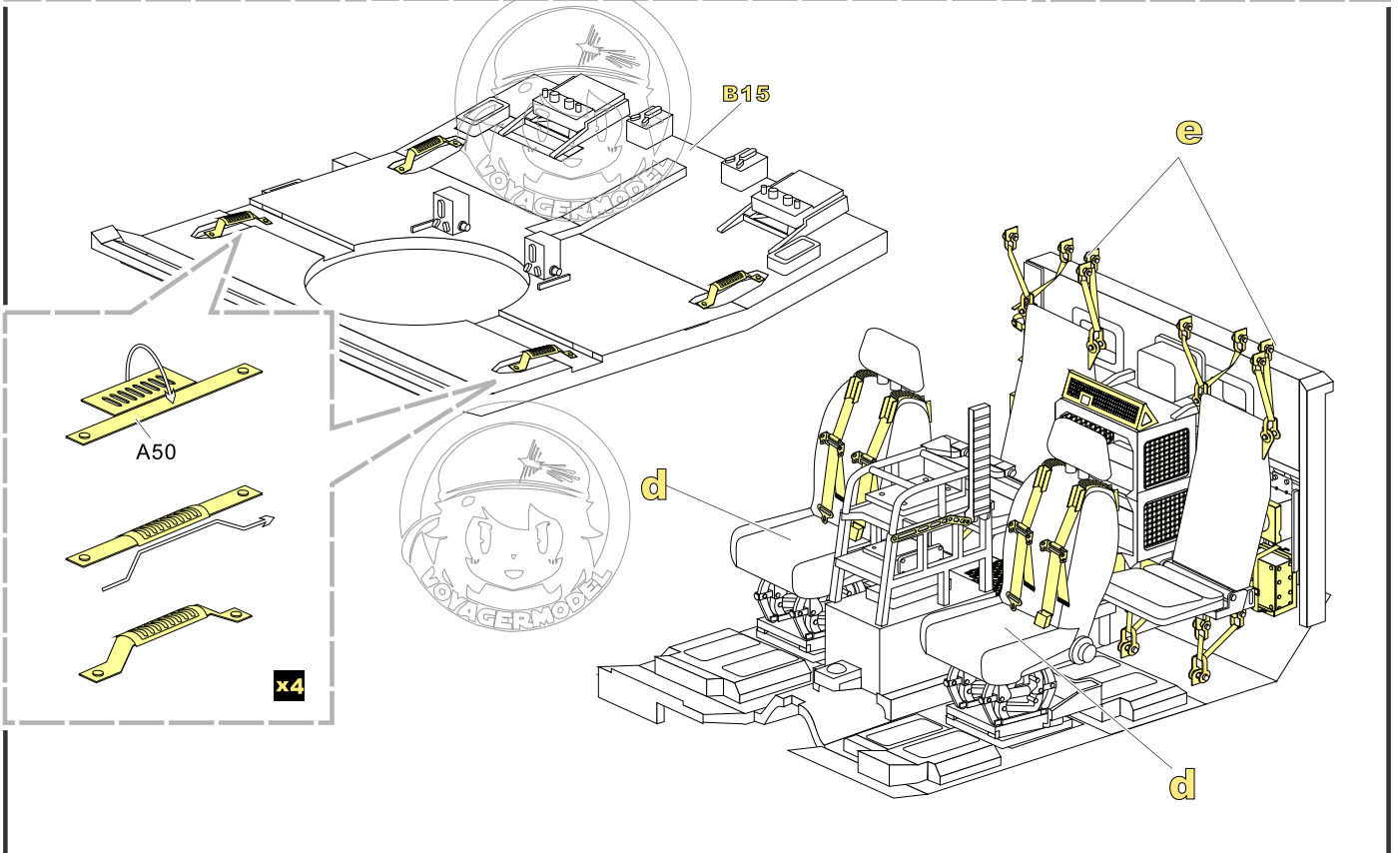
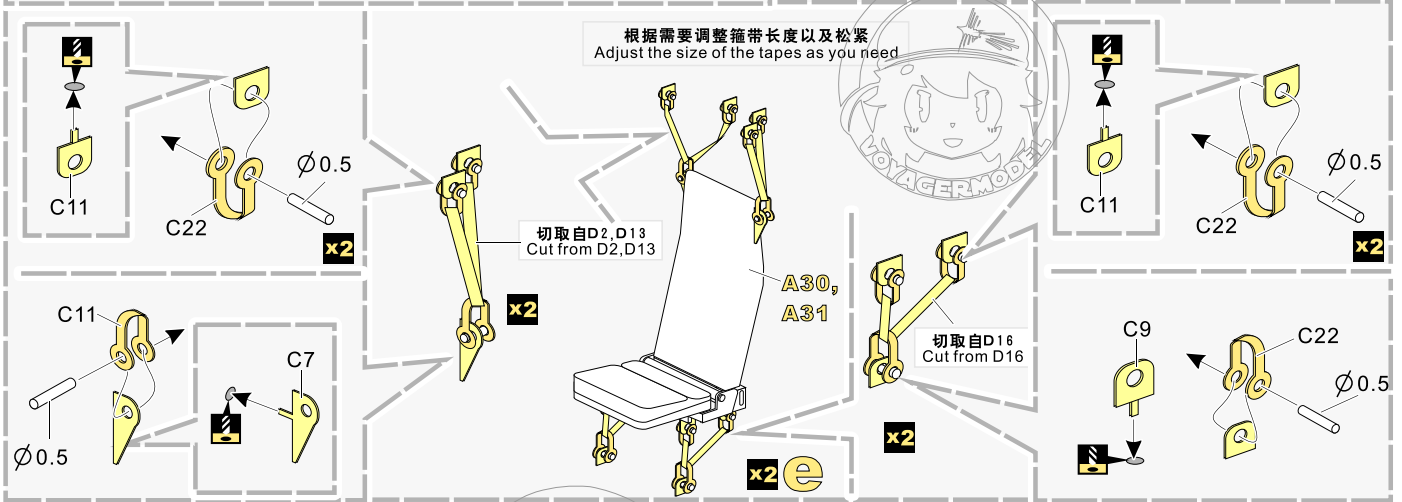
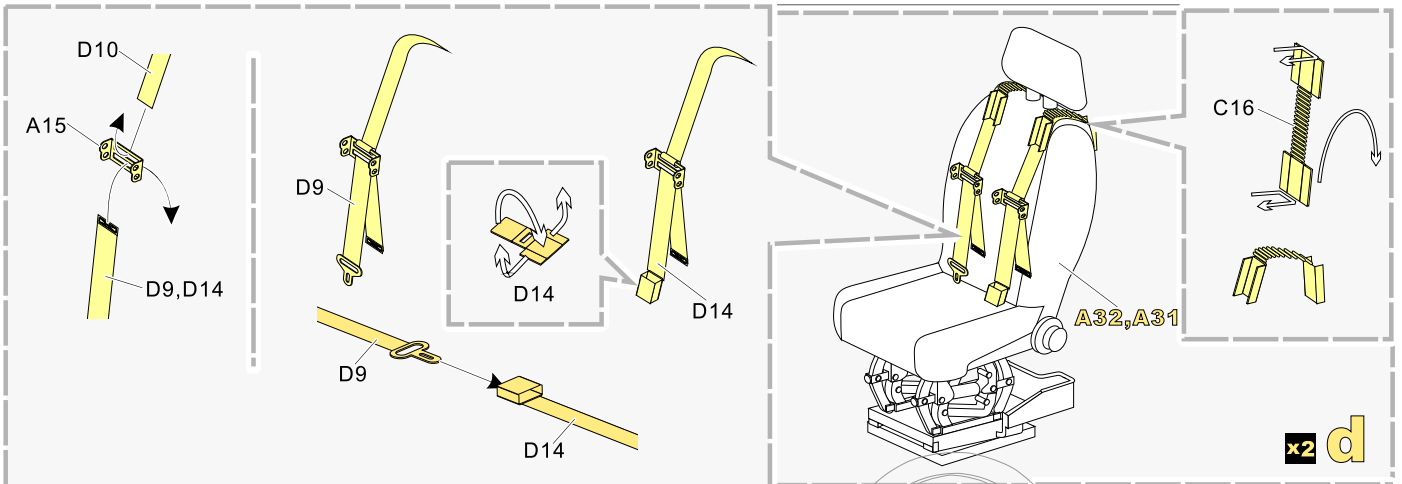
用尖端在凹槽处冲压
use penpoint to press on the dent

蚀刻片零件内朝面向上
Put the part upside down
用笔尖在凹槽处刺
Use penpoint to press on the dent

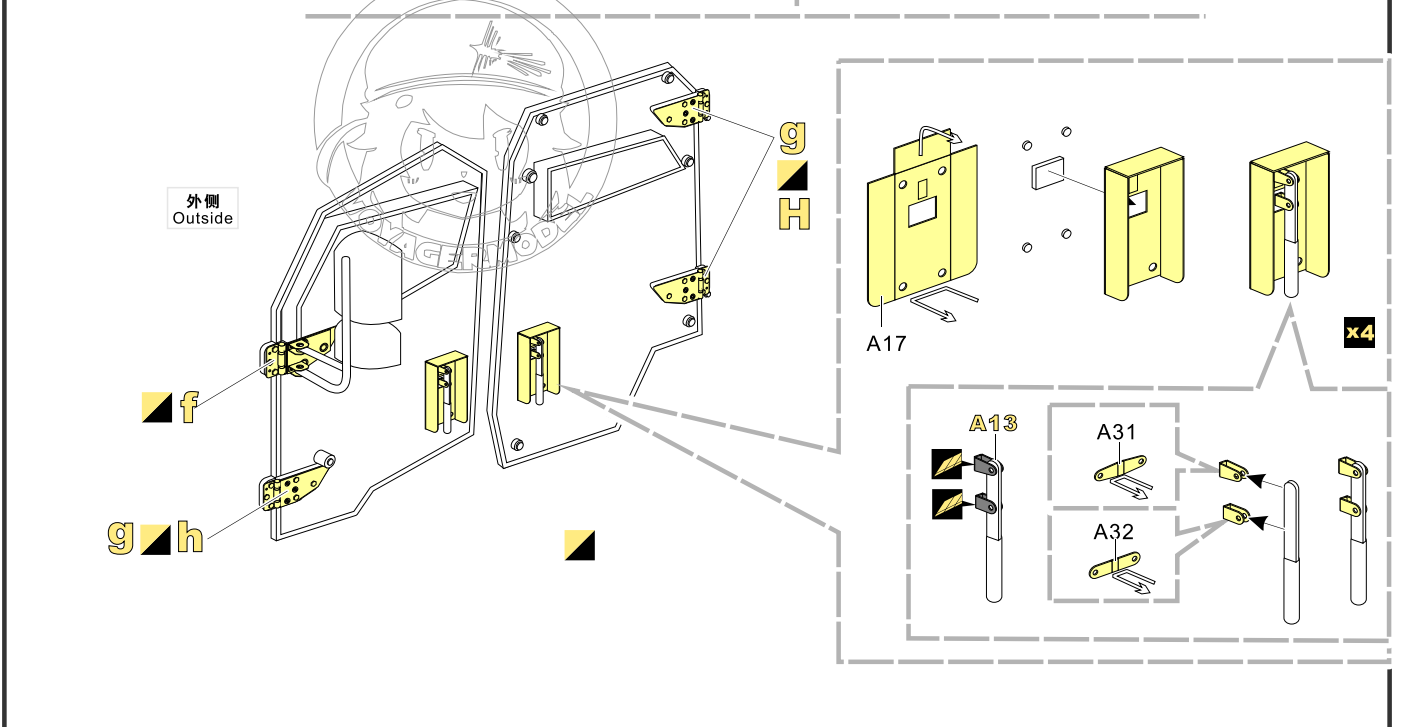
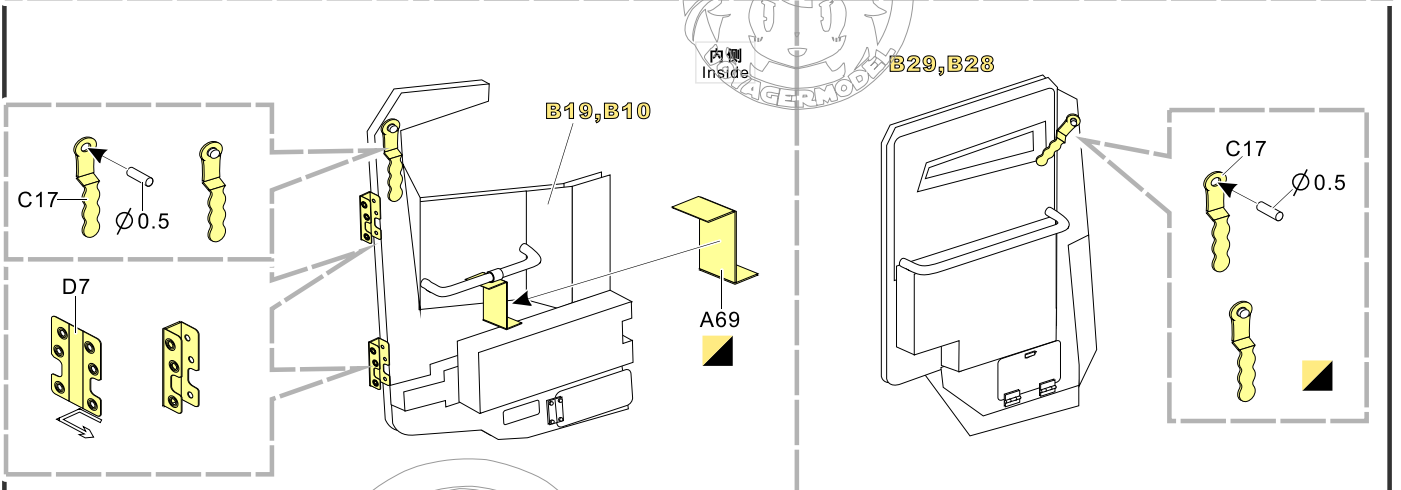
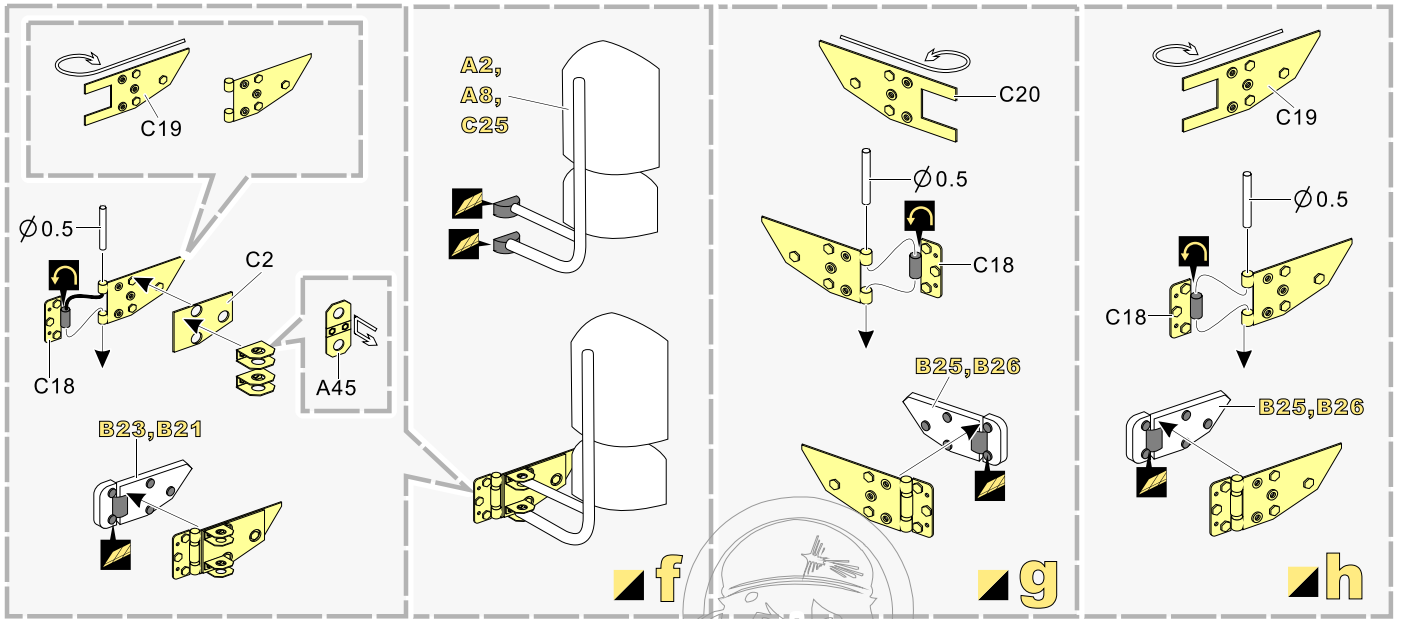
a

c

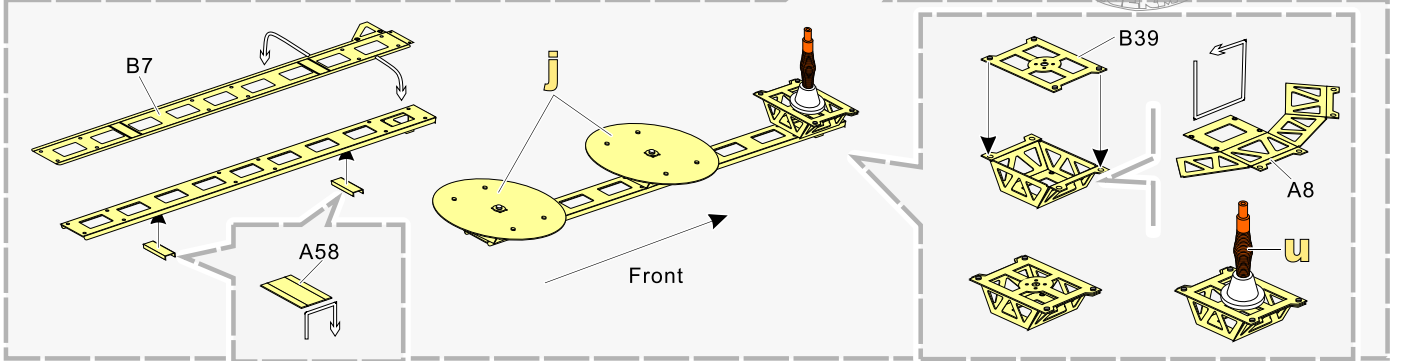
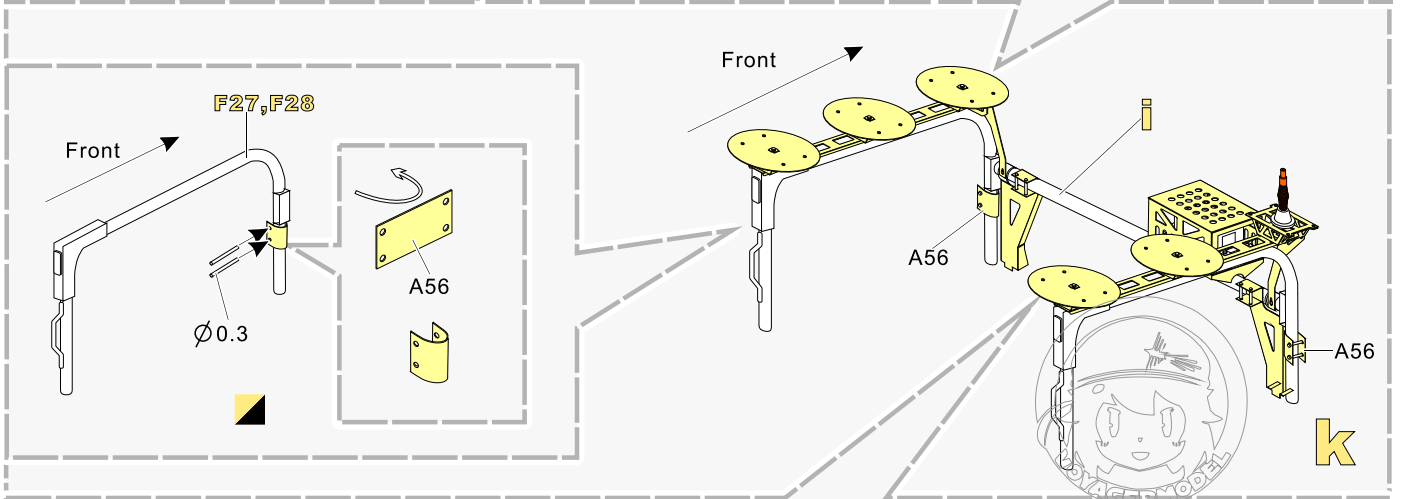
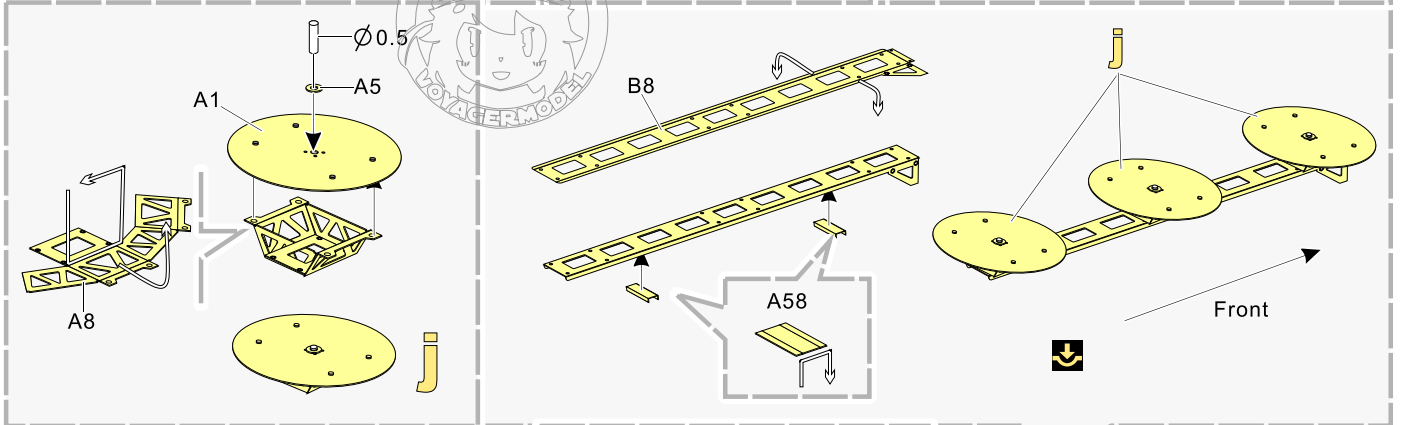
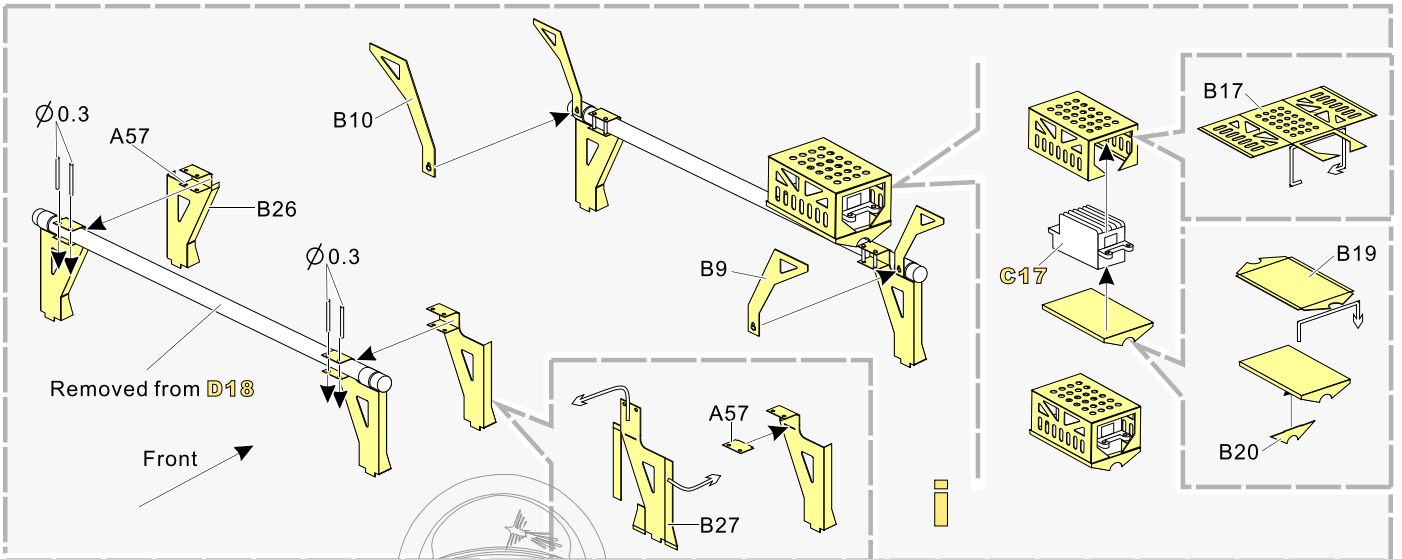
1/35 MILITARY MINIATURE VEHICLE UPGRADE SERIES PE35972



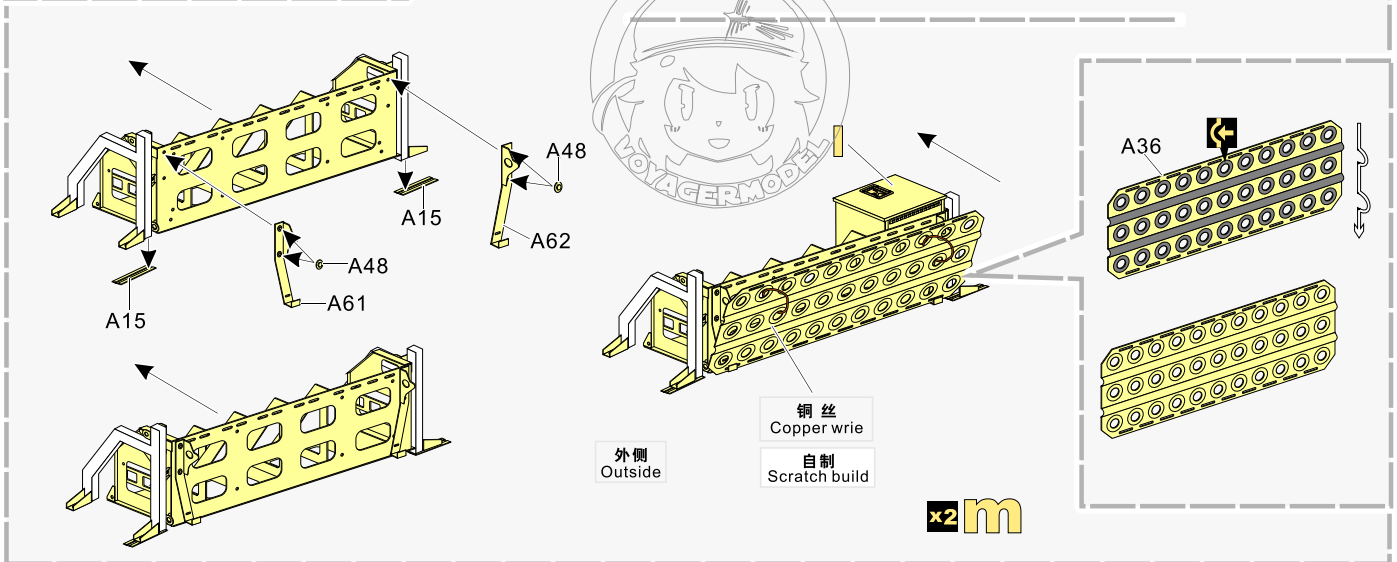
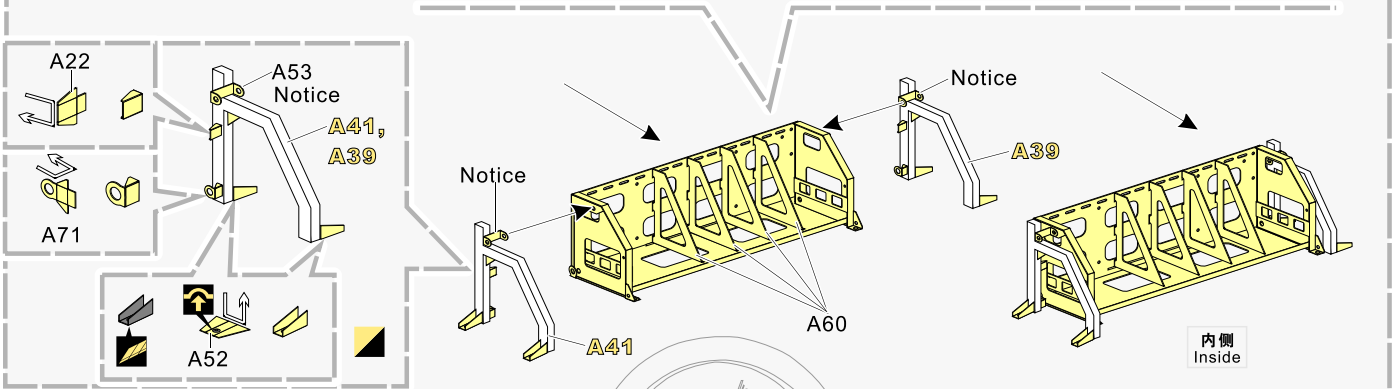
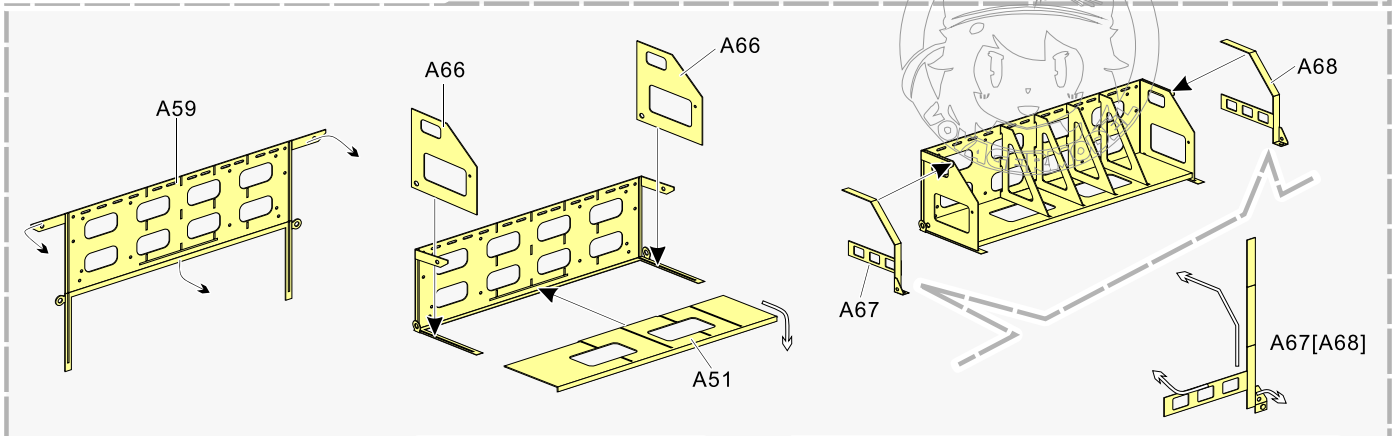
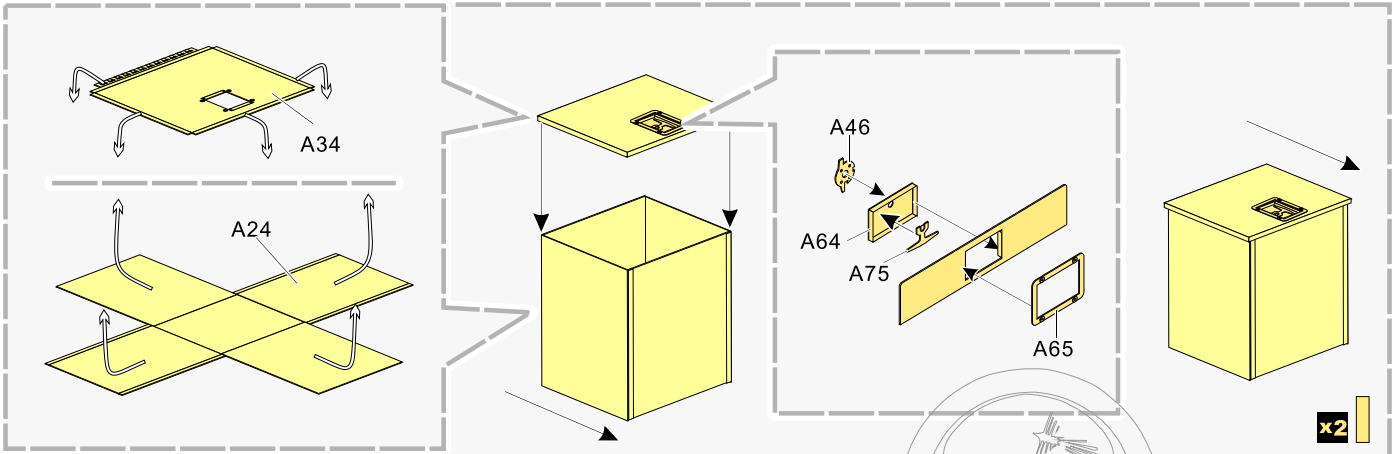
1/35 MILITARY MINIATURE VEHICLE UPGRADE SERIES PE35972



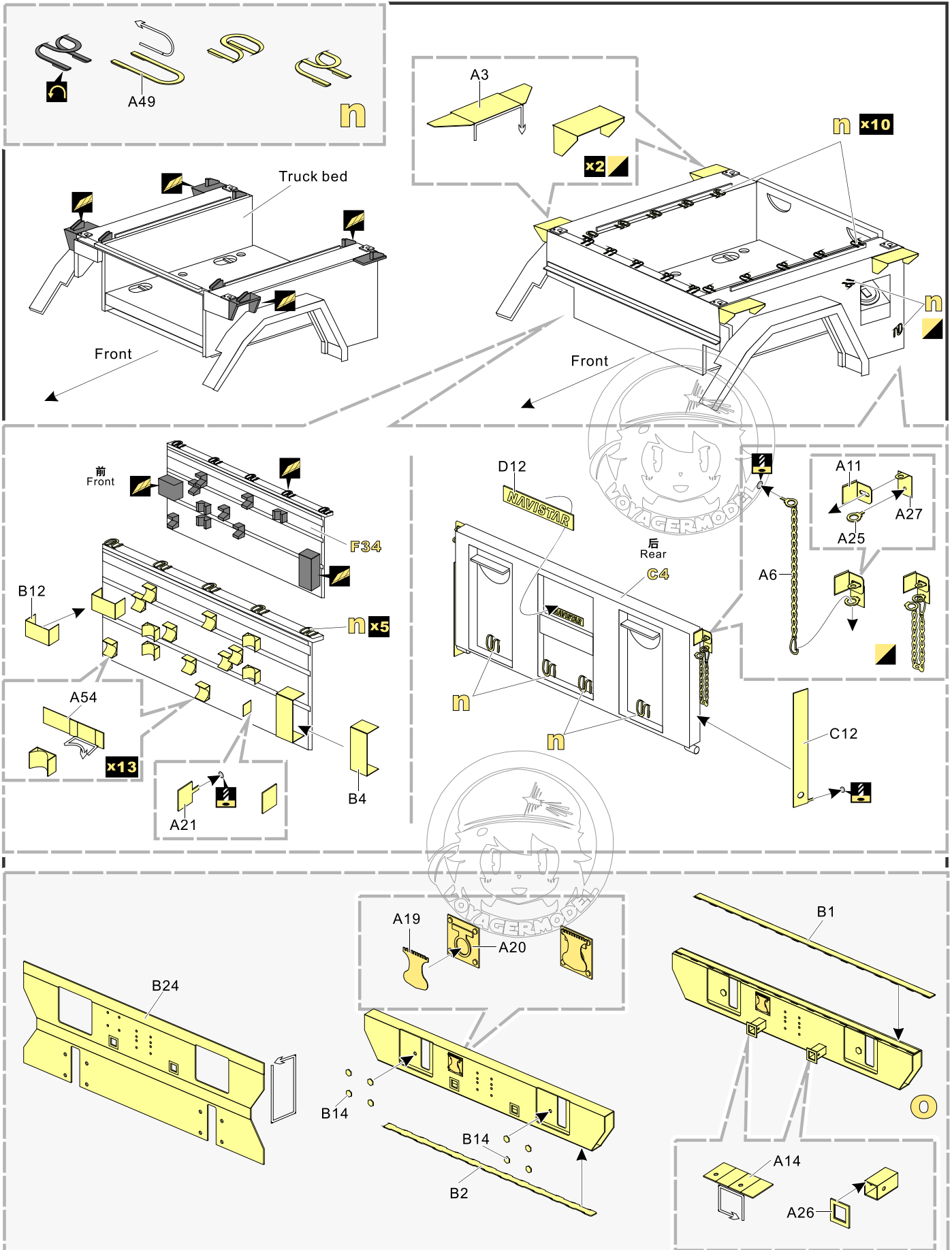
1/35 MILITARY MINIATURE VEHICLE UPGRADE SERIES PE35972



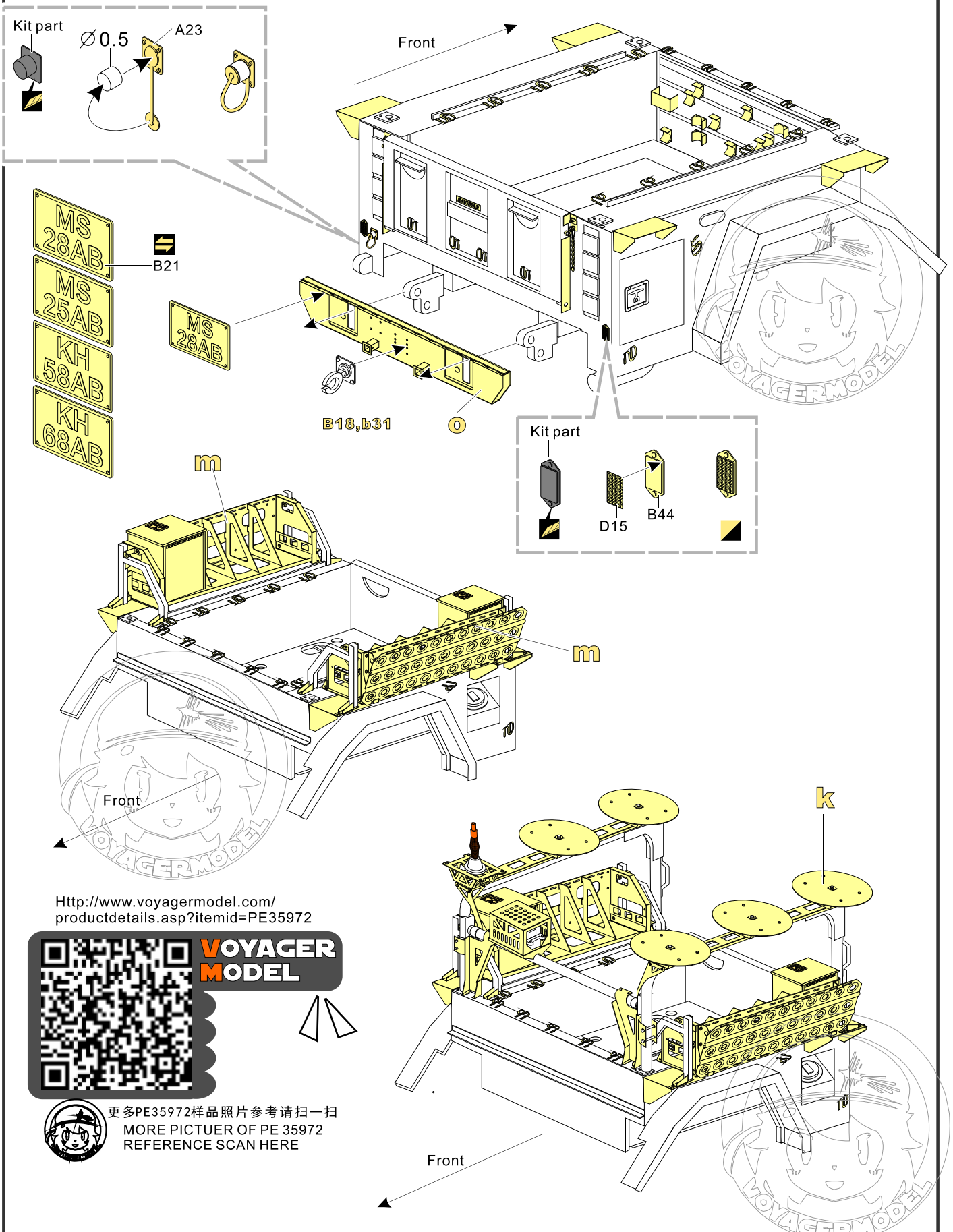
1/35 MILITARY MINIATURE VEHICLE UPGRADE SERIES PE35972



1/35 MILITARY MINIATURE VEHICLE UPGRADE SERIES PE35972



1/35 MILITARY MINIATURE VEHICLE UPGRADE SERIES PE35972

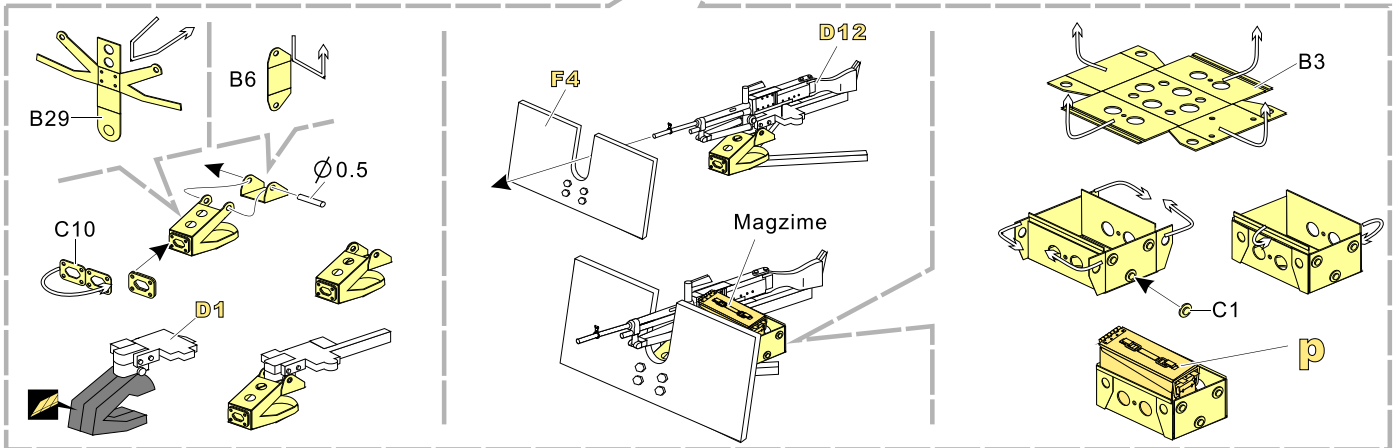
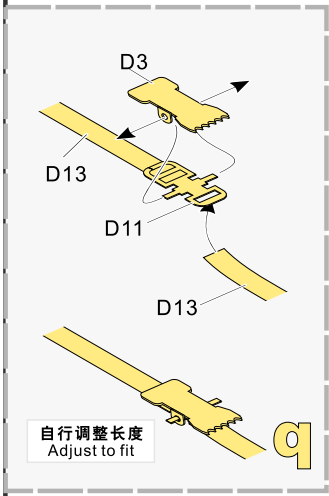
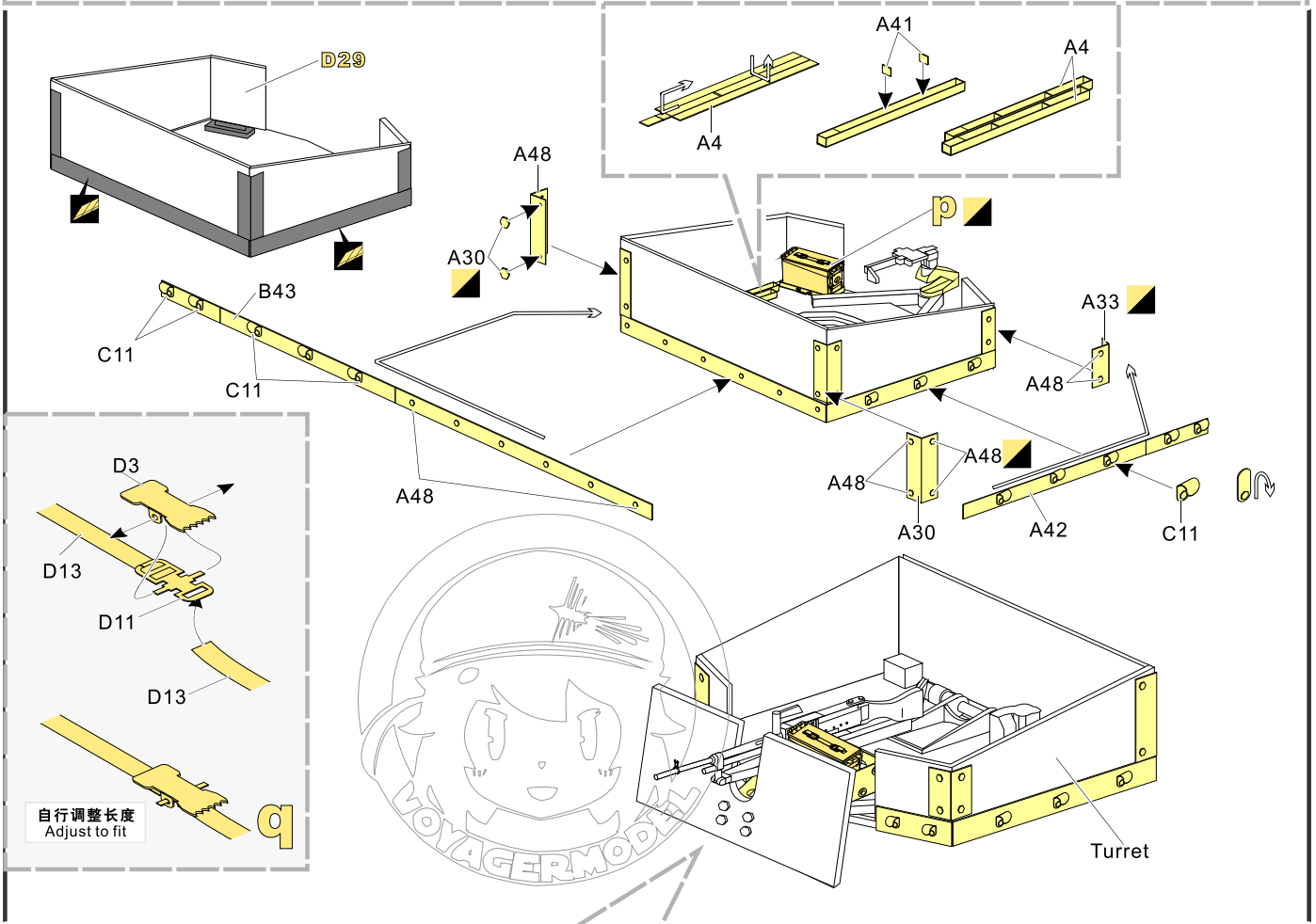
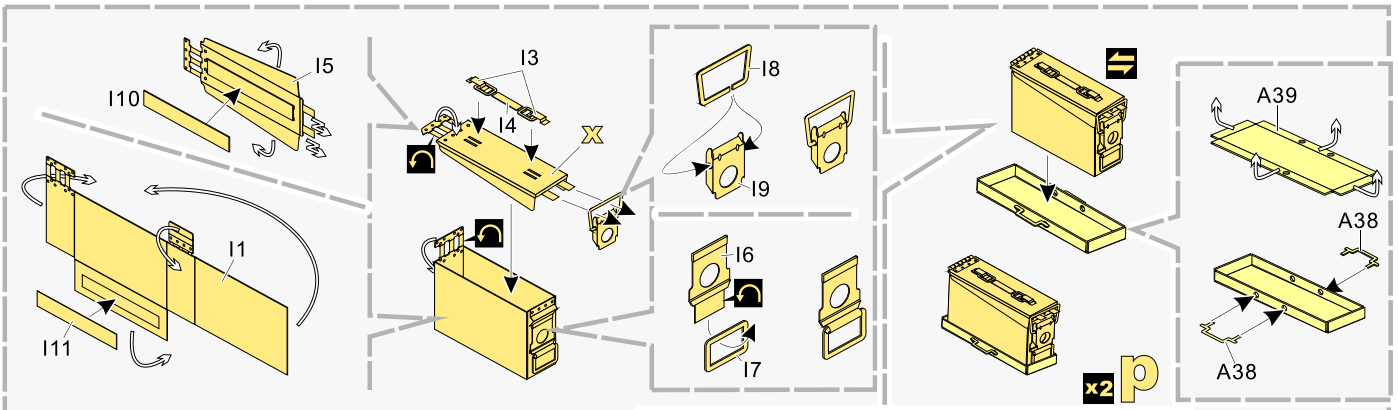


[Http://www.voyagermodel.com/productdetails.asp?itemid=PE35972](http://www.voyagermodel.com/productdetails.asp?itemid=PE35972)

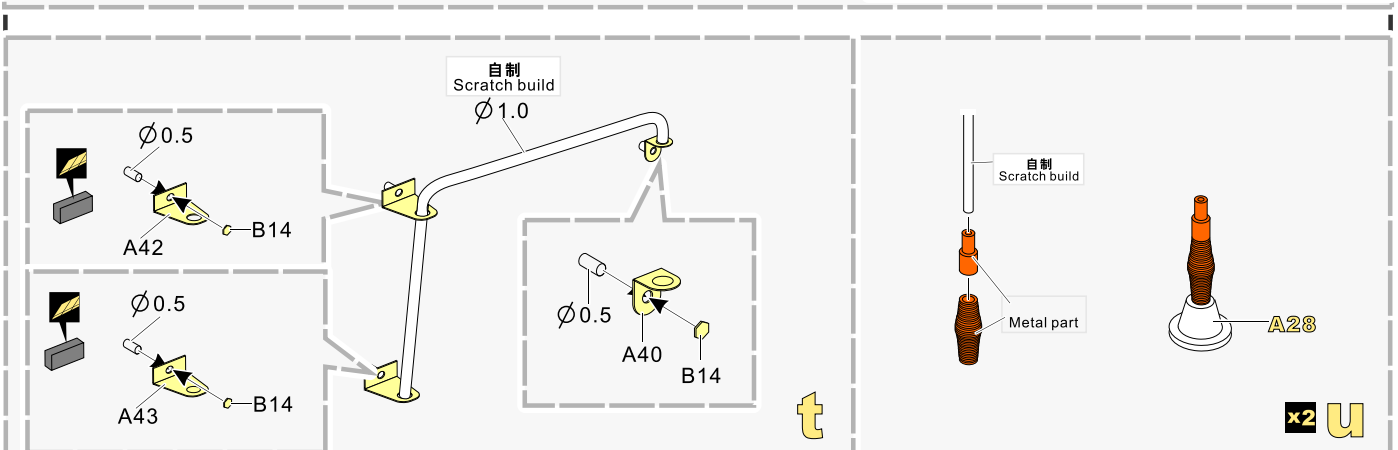
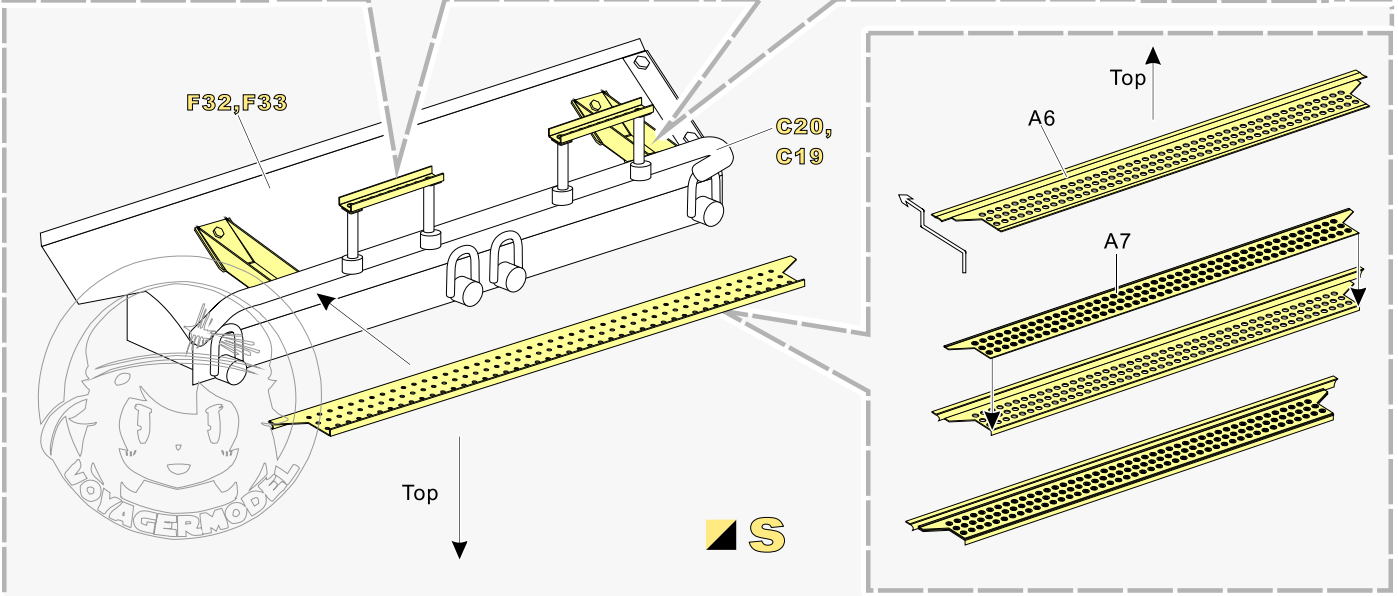
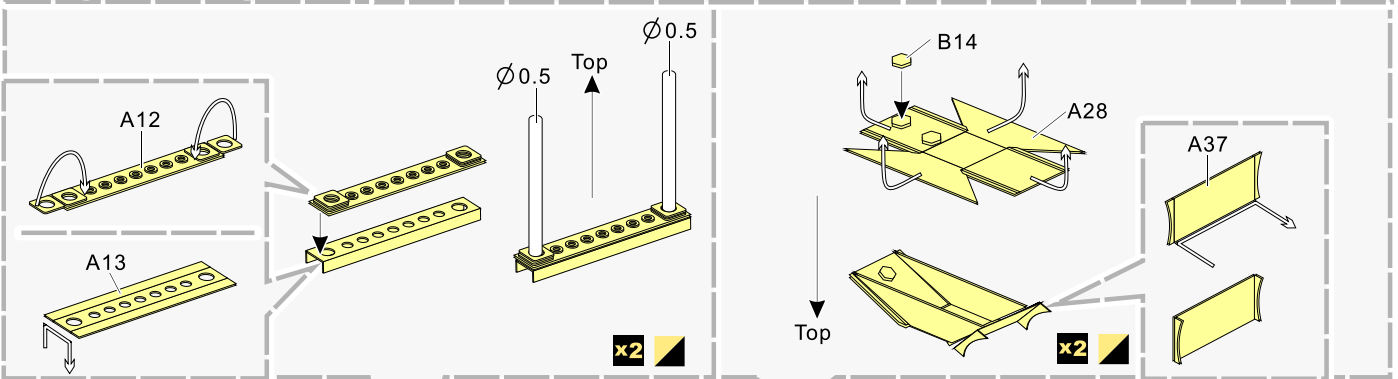
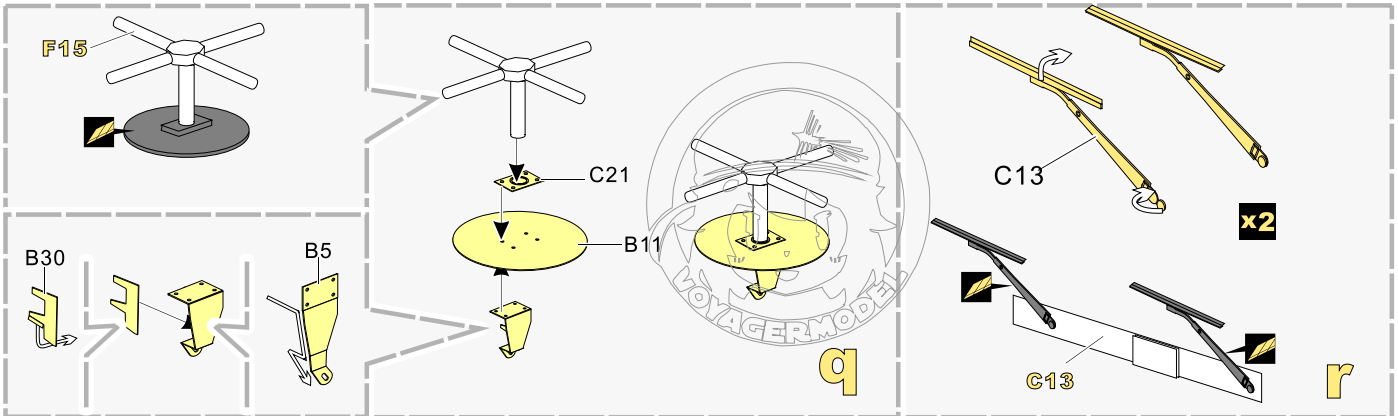


更多PE35972样品照片参考请扫一扫
MORE PICTUER OF PE 35972
REFERENCE SCAN HERE

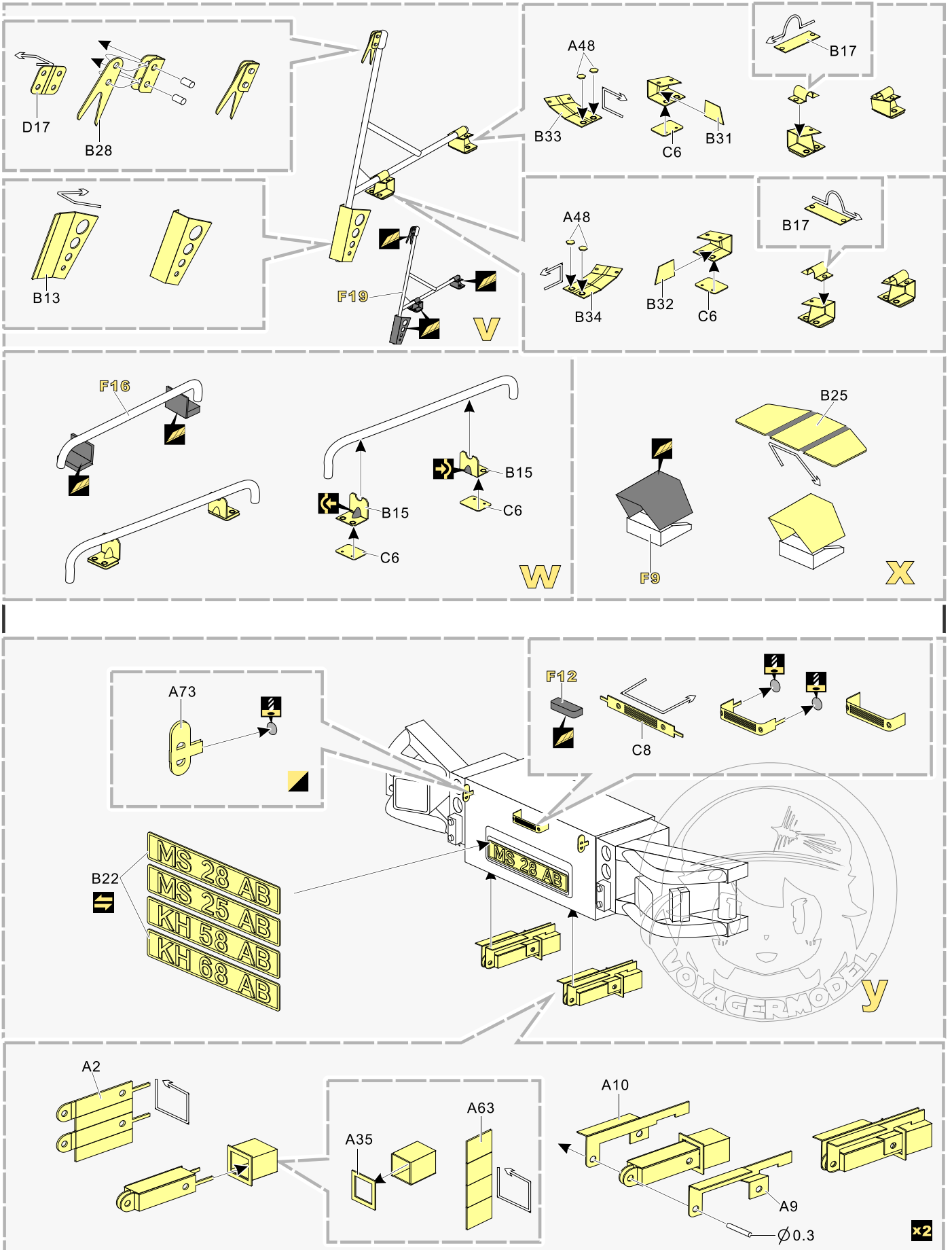
1/35 MILITARY MINIATURE VEHICLE UPGRADE SERIES PE35972



1/35 MILITARY MINIATURE VEHICLE UPGRADE SERIES PE35972



1/35 MILITARY MINIATURE VEHICLE UPGRADE SERIES PE35972



1/35 MILITARY MINIATURE VEHICLE UPGRADE SERIES PE35972

