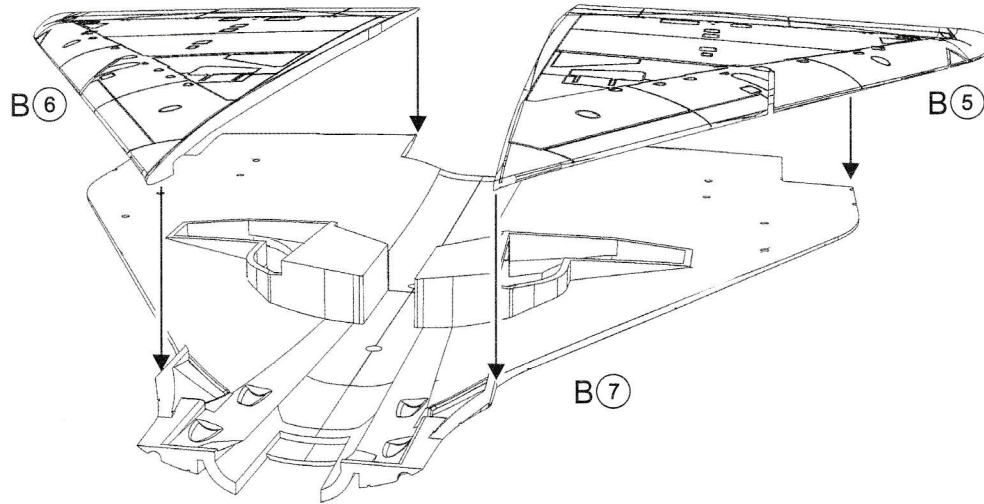
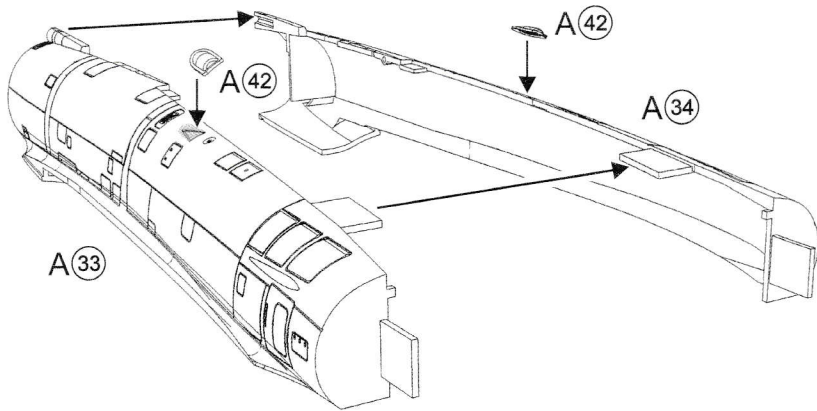


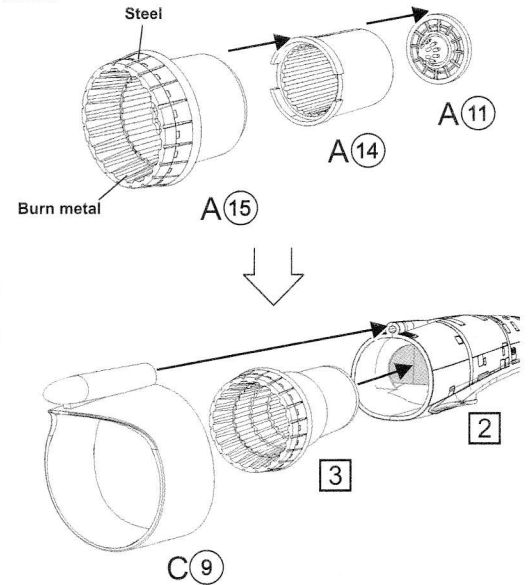
1 Wings



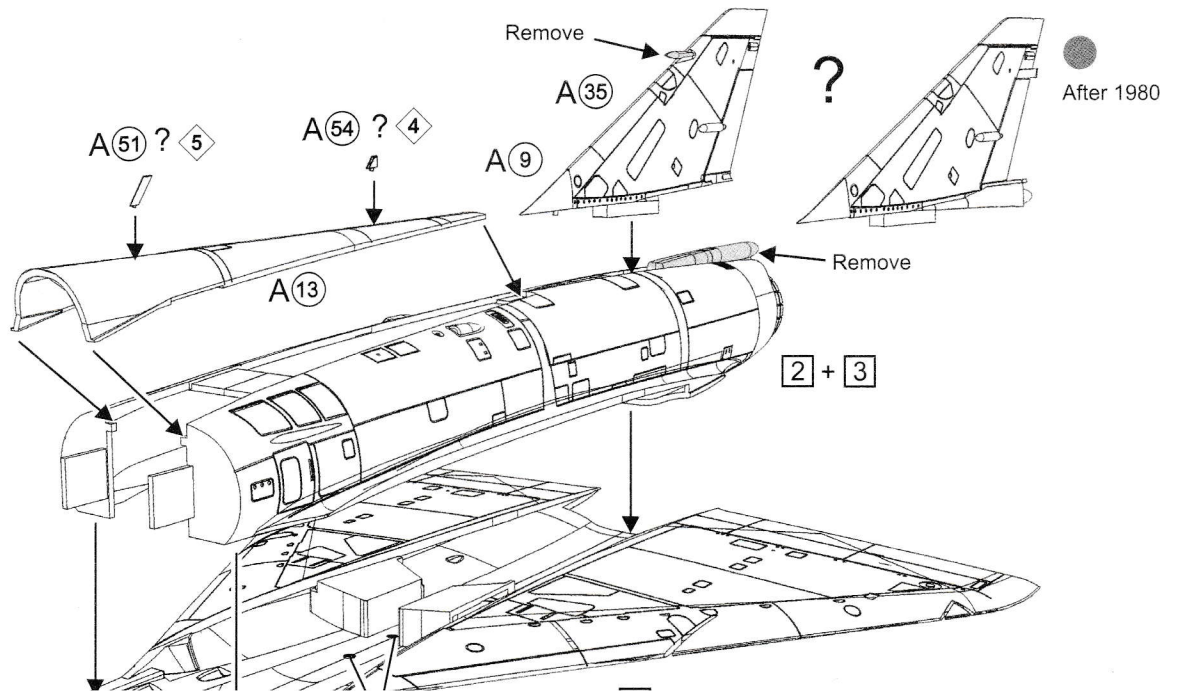
2 Rear fuselage



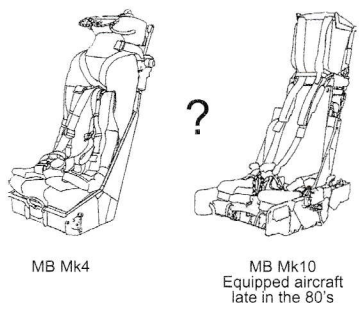
3 Exhaust



4

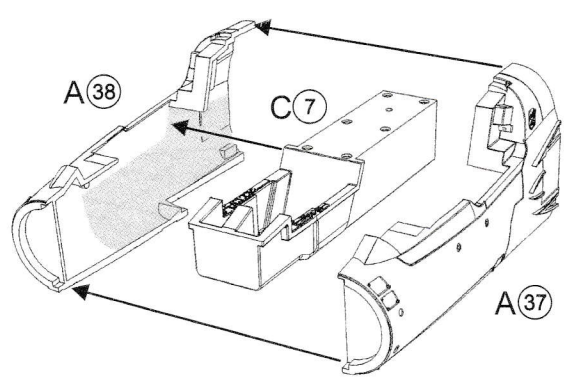


5 Seats



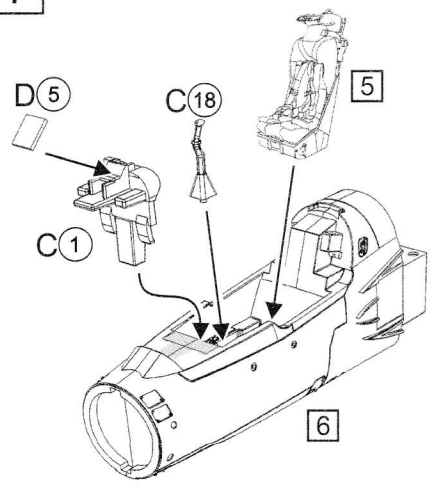
Seat: Matt Black
 Cushions: Tan or Kaki Brown
 Seat belts: Blue
 Handles: Black/Yellow striped

6 Front fuselage



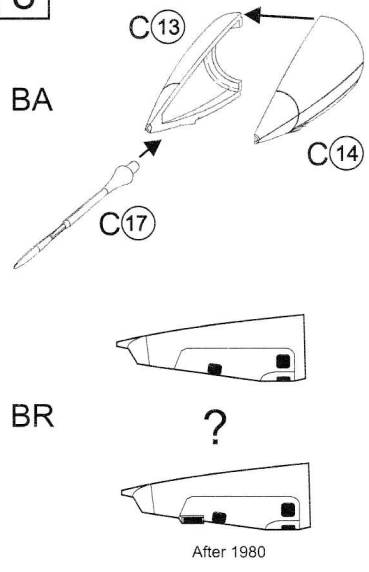
Inside cockpit: Matt Black

7 Cockpit

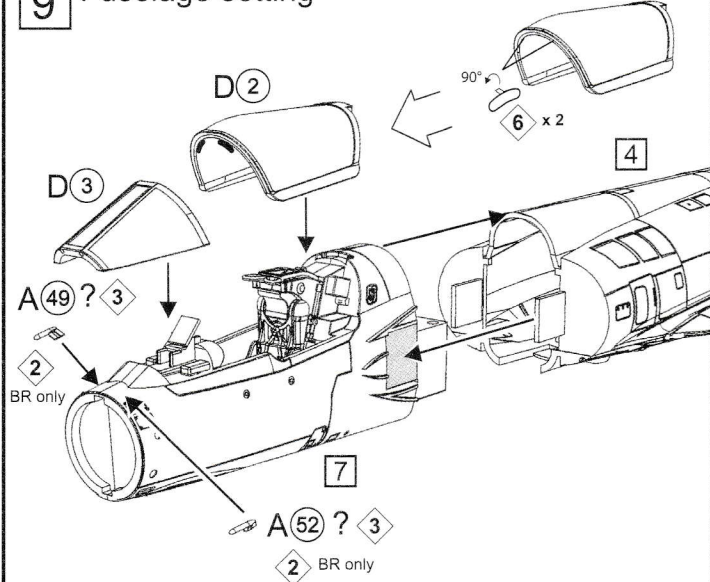


Inside cockpit: Matt Black

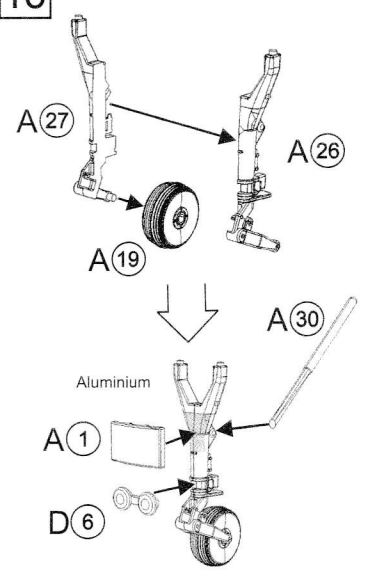
8 Noses



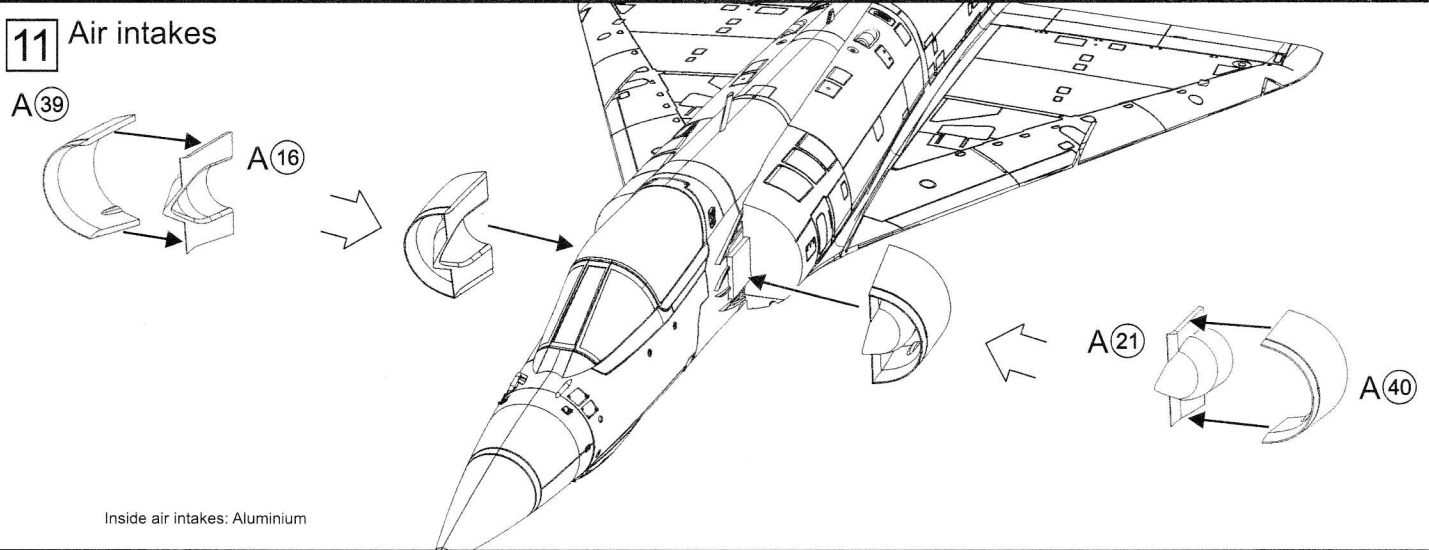
9 Fuselage setting



10 Nose wheel

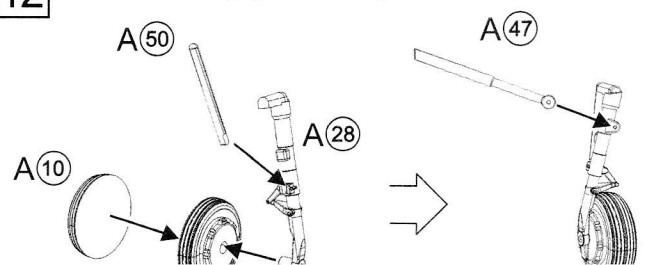


11 Air intakes

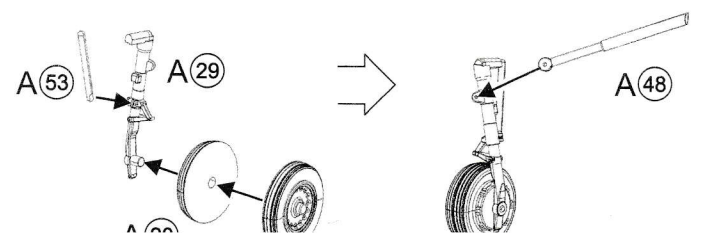


Inside air intakes: Aluminium

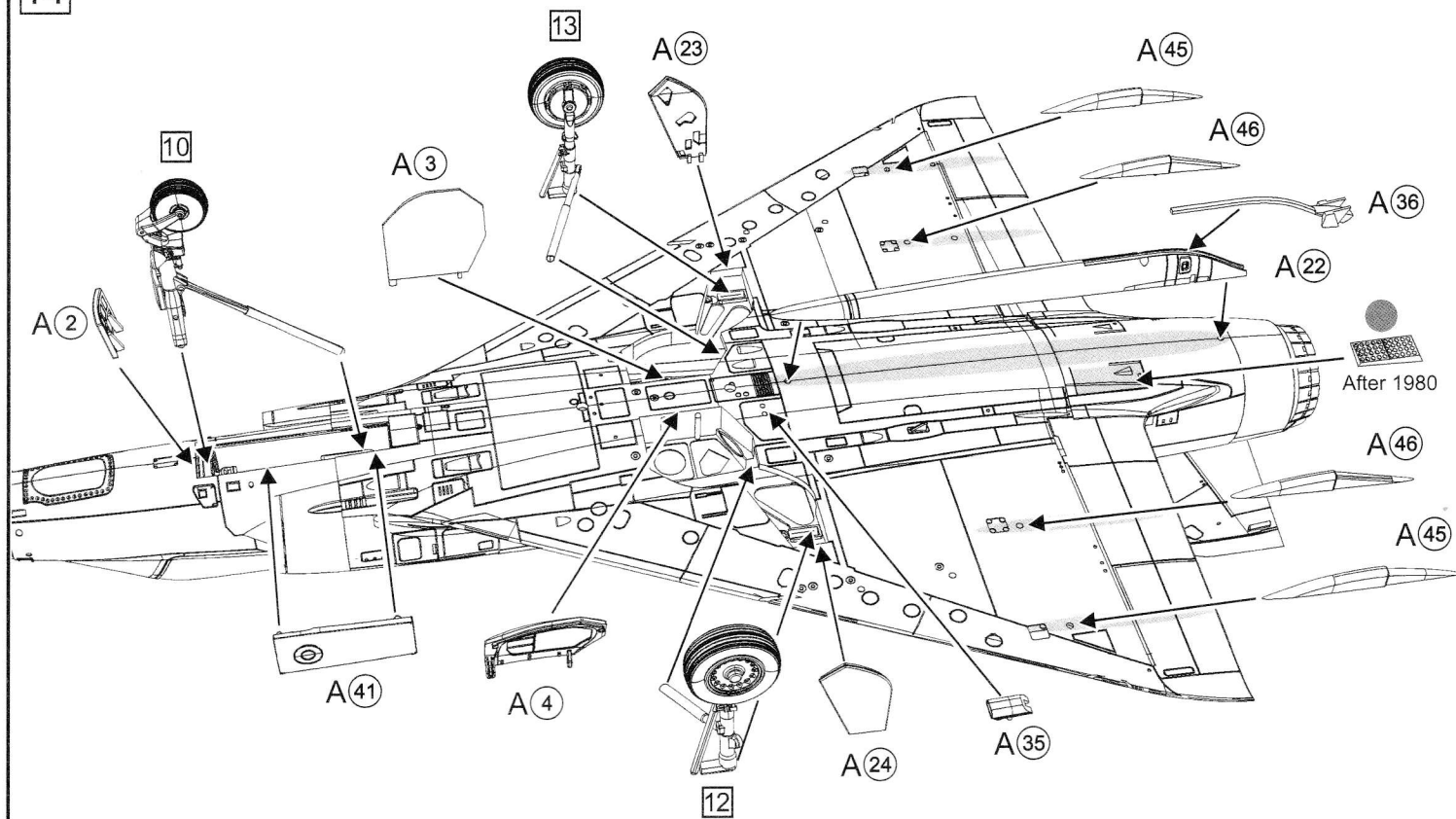
12 Main landing gear - Right



13 Main landing gear - Left

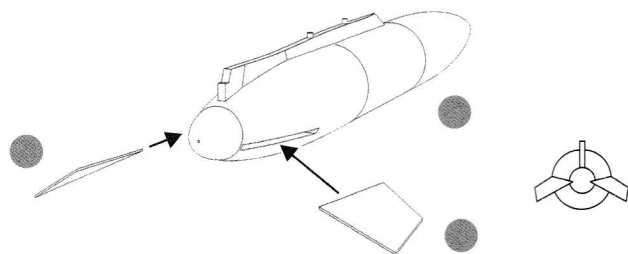


14

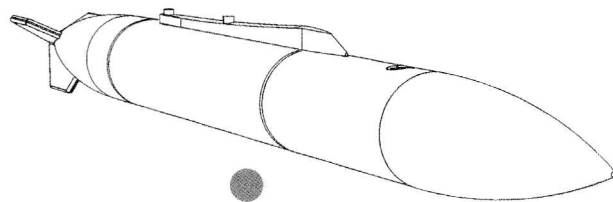


Landing gears doors and wheels bays : Aluminium

15 External fuel tanks

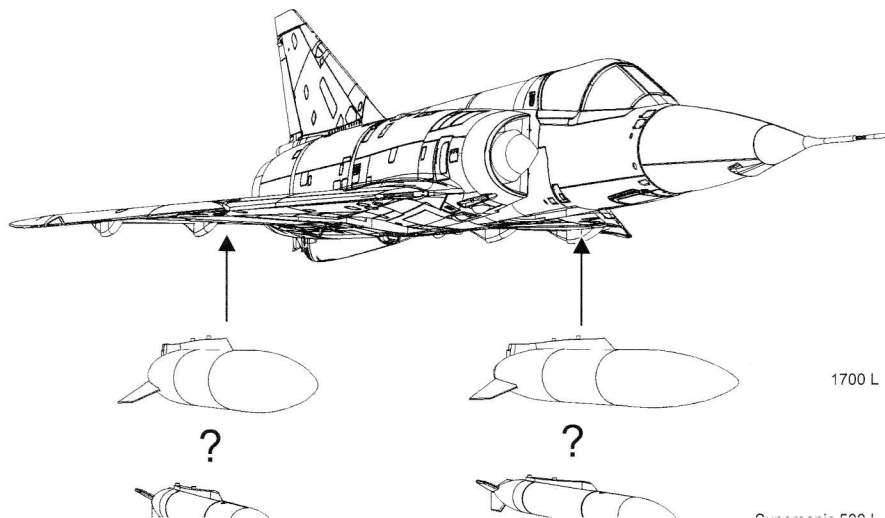


1700 L



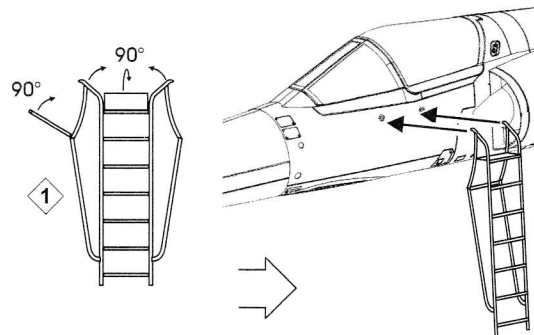
Supersonic 500 L

16 Tanks positioning

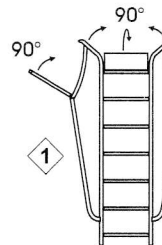


1700 L

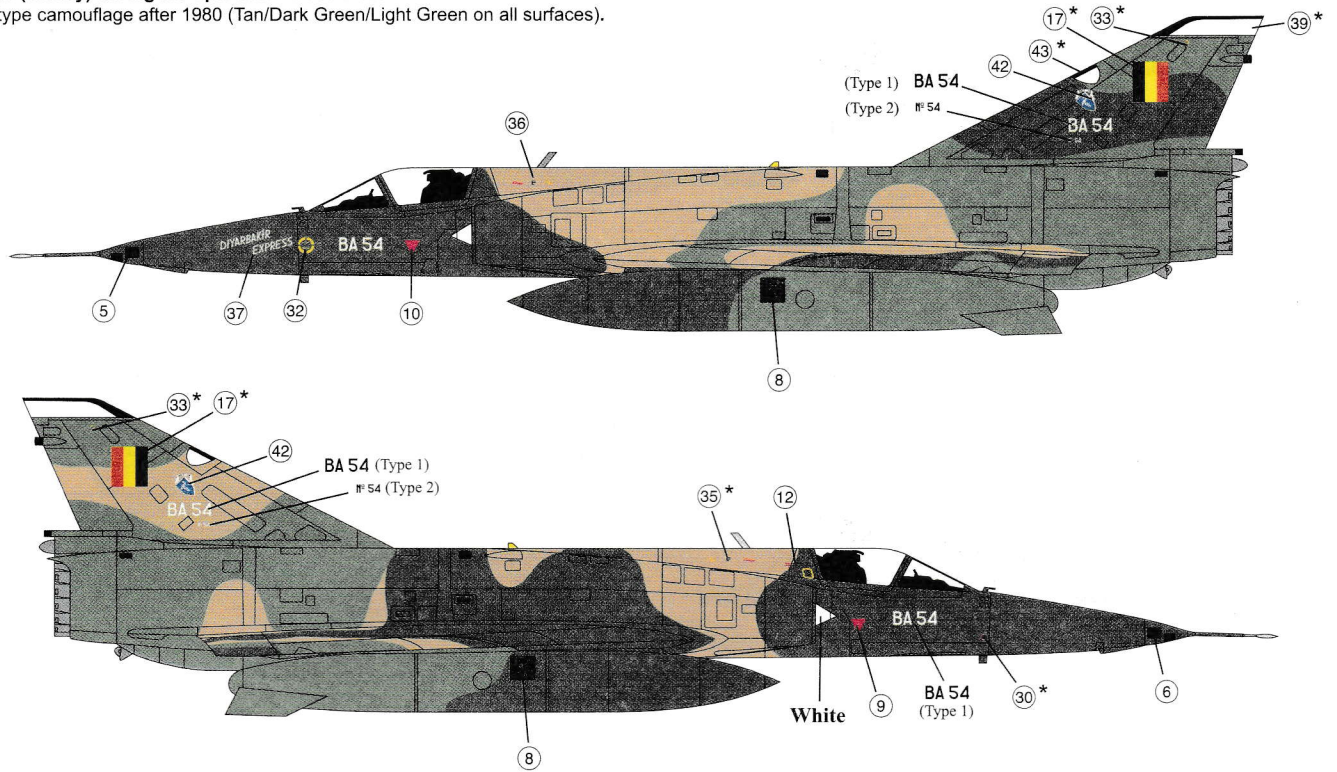
17 Ladder



1



Mirage V BA of the No 8 Squadron based at Bierset and temporarily detached at Diyarbakir (Turkey) during the operation "Desert Storm".
Vietnam type camouflage after 1980 (Tan/Dark Green/Light Green on all surfaces).

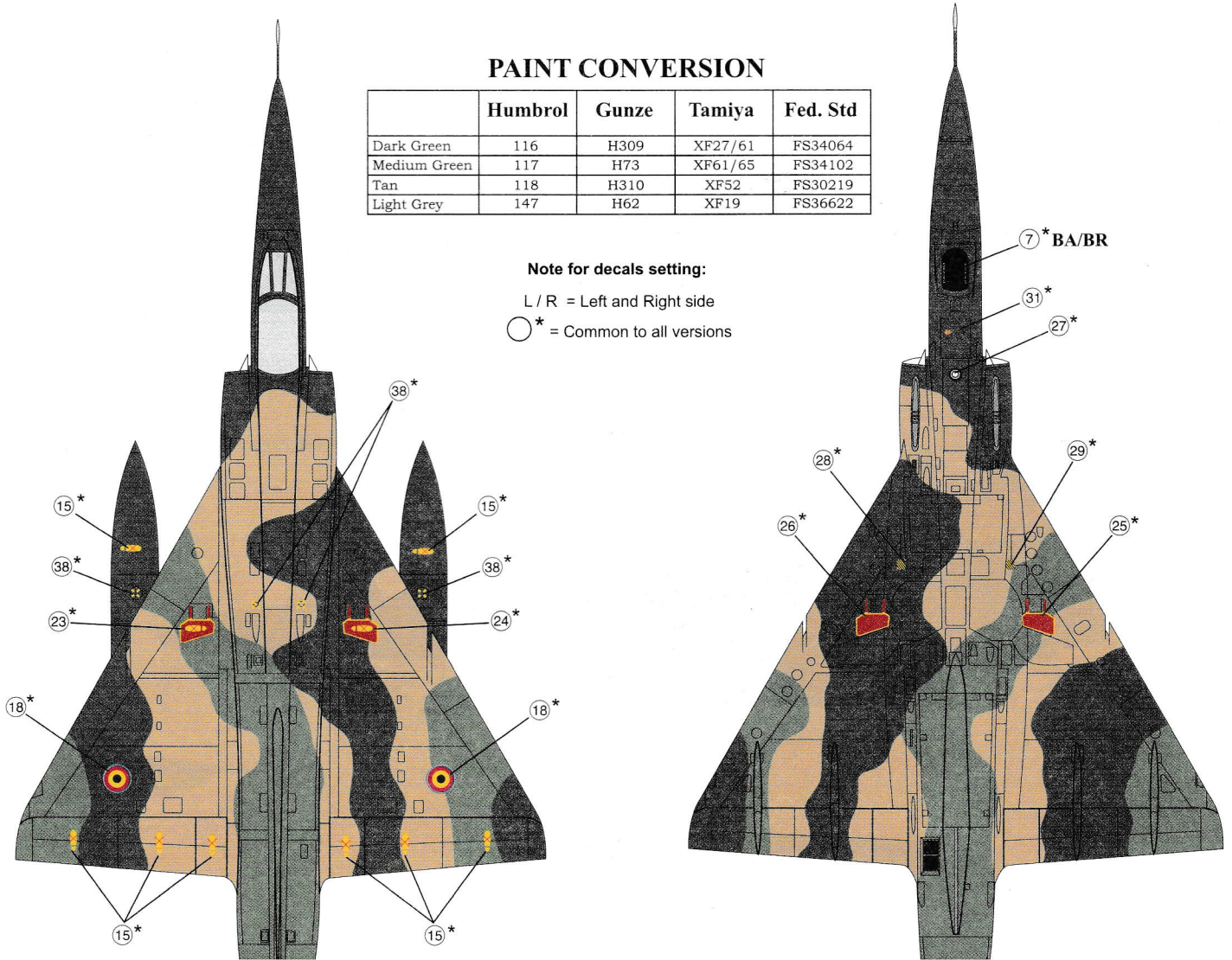


PAINT CONVERSION

| | Humbrol | Gunze | Tamiya | Fed. Std |
|--------------|---------|-------|---------|----------|
| Dark Green | 116 | H309 | XF27/61 | FS34064 |
| Medium Green | 117 | H73 | XF61/65 | FS34102 |
| Tan | 118 | H310 | XF52 | FS30219 |
| Light Grey | 147 | H62 | XF19 | FS36622 |

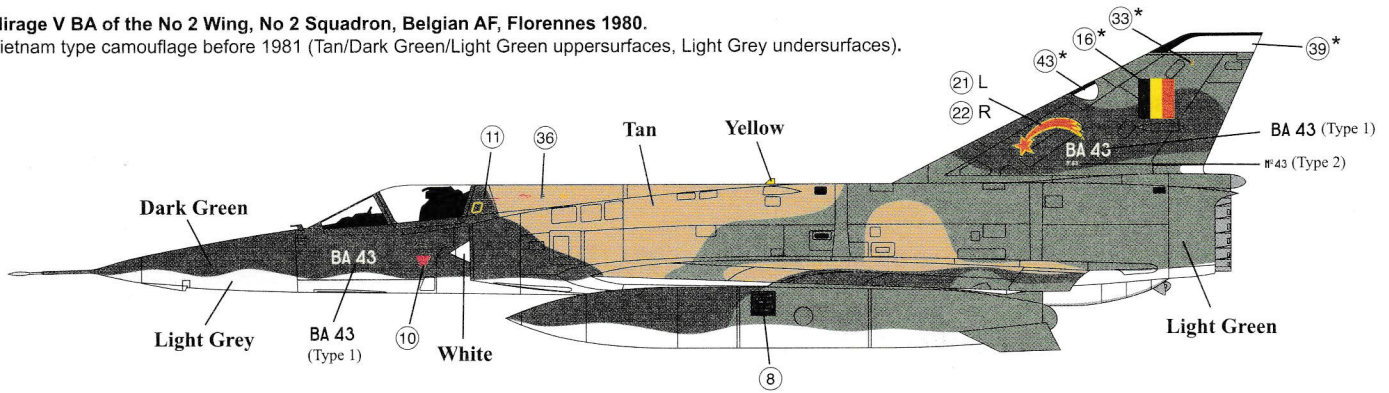
Note for decals setting:

L / R = Left and Right side
○* = Common to all versions



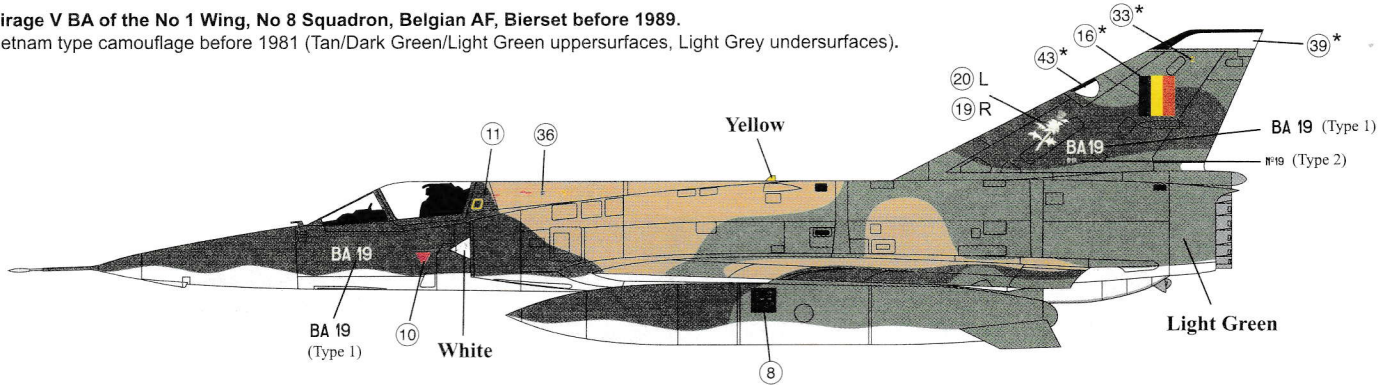
Mirage V BA of the No 2 Wing, No 2 Squadron, Belgian AF, Florennes 1980.

Vietnam type camouflage before 1981 (Tan/Dark Green/Light Green uppersurfaces, Light Grey undersurfaces).



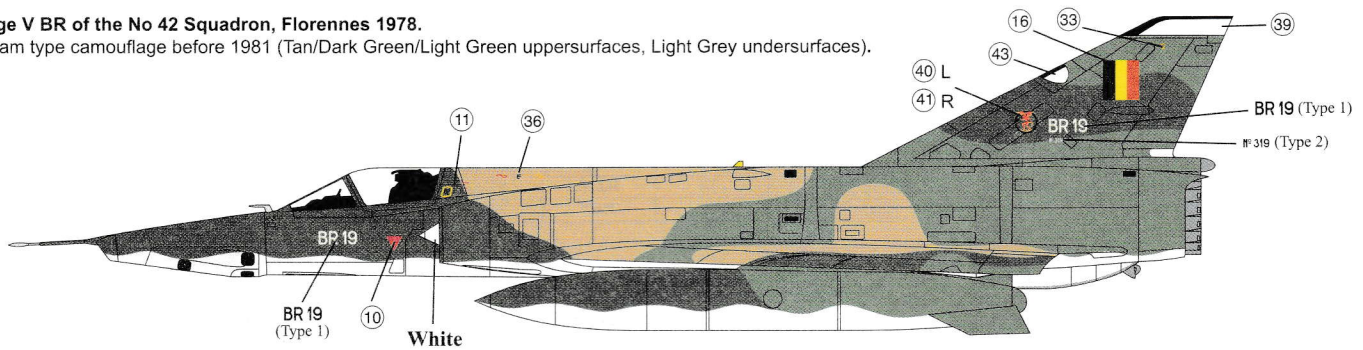
Mirage V BA of the No 1 Wing, No 8 Squadron, Belgian AF, Bierset before 1989.

Vietnam type camouflage before 1981 (Tan/Dark Green/Light Green uppersurfaces, Light Grey undersurfaces).



Mirage V BR of the No 42 Squadron, Florennes 1978.

Vietnam type camouflage before 1981 (Tan/Dark Green/Light Green uppersurfaces, Light Grey undersurfaces).



Mirage V BR of the No 42 Squadron, Bierset late in the 80's.

Vietnam type camouflage on all surfaces.

