

Red - Remove

Green - PE (Photo Etch)

Blue - Wash off Decal

1/350 SCALE

ITEM NO.:05352



HMS Kent

英国皇家海军“肯特”号重型巡洋舰

READ BEFORE ASSEMBLY

- This kit is not recommended for inexperienced modelers or for children under 14 years of age
- Study and understand these instructions thoroughly before beginning assembly
- When needed, remove photo-etch parts carefully using a modeling knife or photo etch sprue cutter, being careful not to damage or lose small parts.
- Take extra care in handling photo etch parts in order to avoid injury
- Apply instant cement sparingly to photo etch parts where instructed

- Tools recommended(not included in kit):Plastic and instant cements,sprue cutters,long nose pliers,modeling knife, small files, tweezers, pin vise & scissors. Soft cloth and sandpaper will also assist in construction
- Glue and paint are not included in the kit. Use plastic cement and hobby paints only. Color guide for purchasing paint is included in the kit.
- Keep out of reach of children. They must not be allowed to ingest small parts or handle plastic bags in any way

装配之前仔细阅读

- 小心用模型剪刀剪下所有零件表面的蚀刻部分。
- 小心用刀片刮下蚀刻的零件，不要丢失小零件。
- 用镊子夹住零件并配合使用钳子和金属刷，以避免零件在胶水使用前因震动而脱落。小心处理。
- 取件时请小心处理以避免受伤。防止零件掉落于地。
- 某些零件表面粗糙，请打磨。请选择在包装内附带的砂纸。
- 准备模型工具(自磨)、胶水、水口剪、刮刀、刀片、剪刀、镊子等。
- 软布和细砂纸同样也是必备的工艺。
- 请使用塑料胶水和油漆。模型内不含。
- 谨防小孩吸食塑料零件，或是将塑料袋吞入口中。制作时应将零件远离小孩。
- 本产品不适合14岁以下儿童拼装和玩耍。

水贴纸的使用:

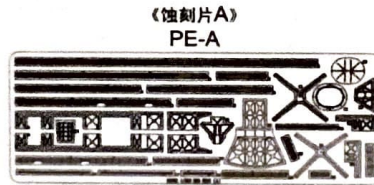
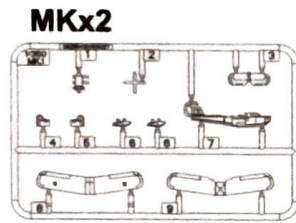
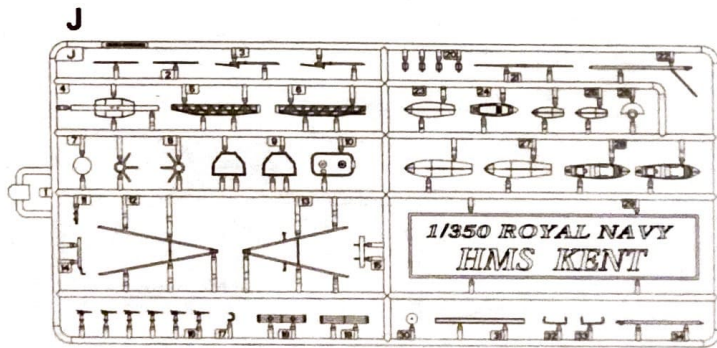
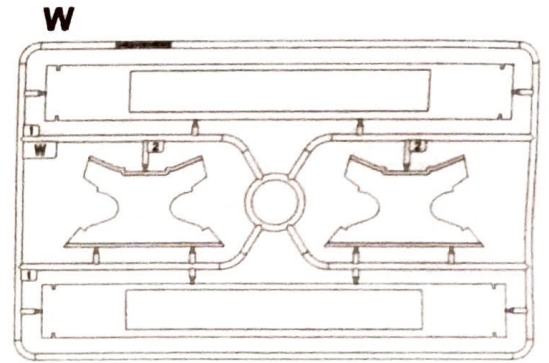
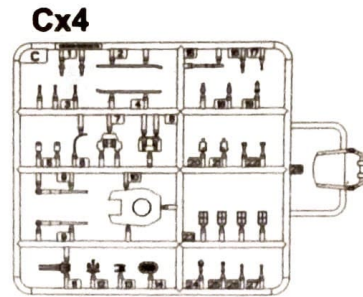
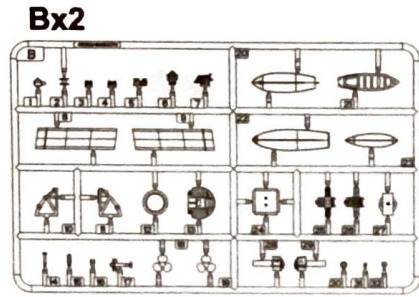
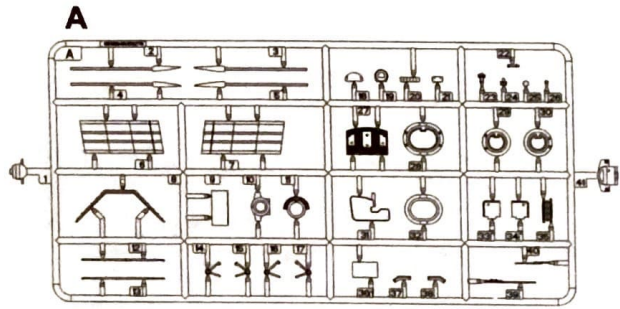
1. 从水贴纸上剪下印花;
2. 将印花放入温水中浸10秒, 然后放在干净布上;
3. 拿着印花纸将印花移到模型上;
4. 手指蘸水将印花移到适当的位置;
5. 用软布轻压印花直至水干, 汽泡消失。

DECAL APPLICATION:

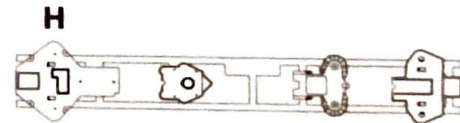
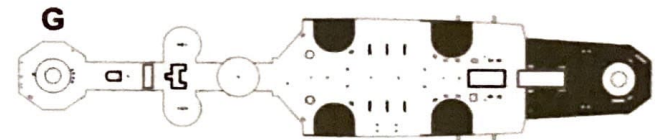
1. Cut decals from sheet as needed
2. Dip the decal in warm water for about 10 seconds and then place on soft clean cloth.
3. Hold the decal backing sheet edge and gently slide the decal onto the model in its proper position.

4. While still wet, decal can be adjusted for better fit on model by dampening it gently with your finger.
5. When placed in the proper position, gently press decal down with a soft cloth until excess water and air bubbles are gone.
6. Allow decal to dry completely before handling model.

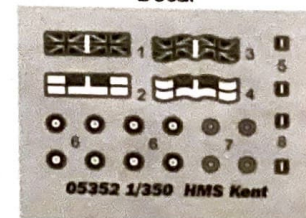




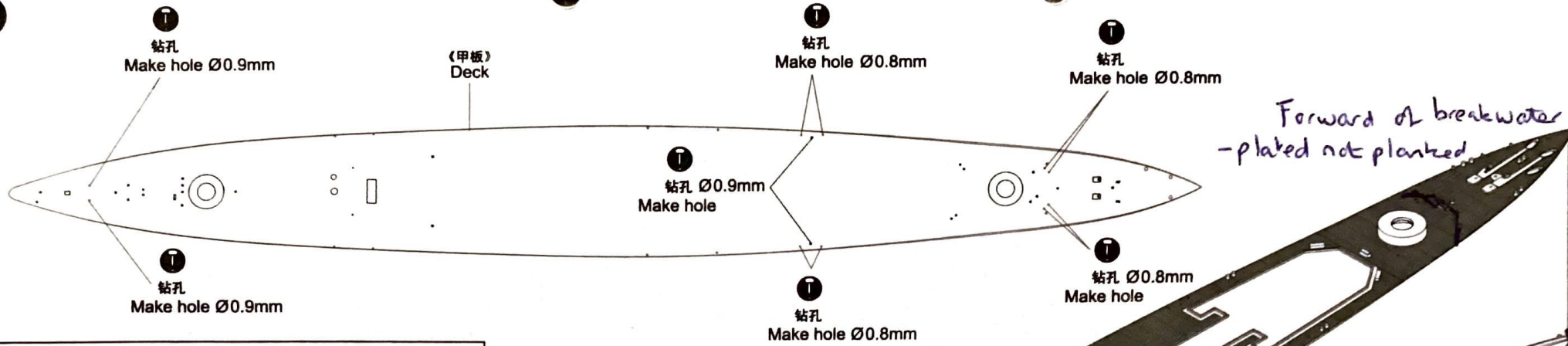
《锁链》
Chain



《水贴》
Decal



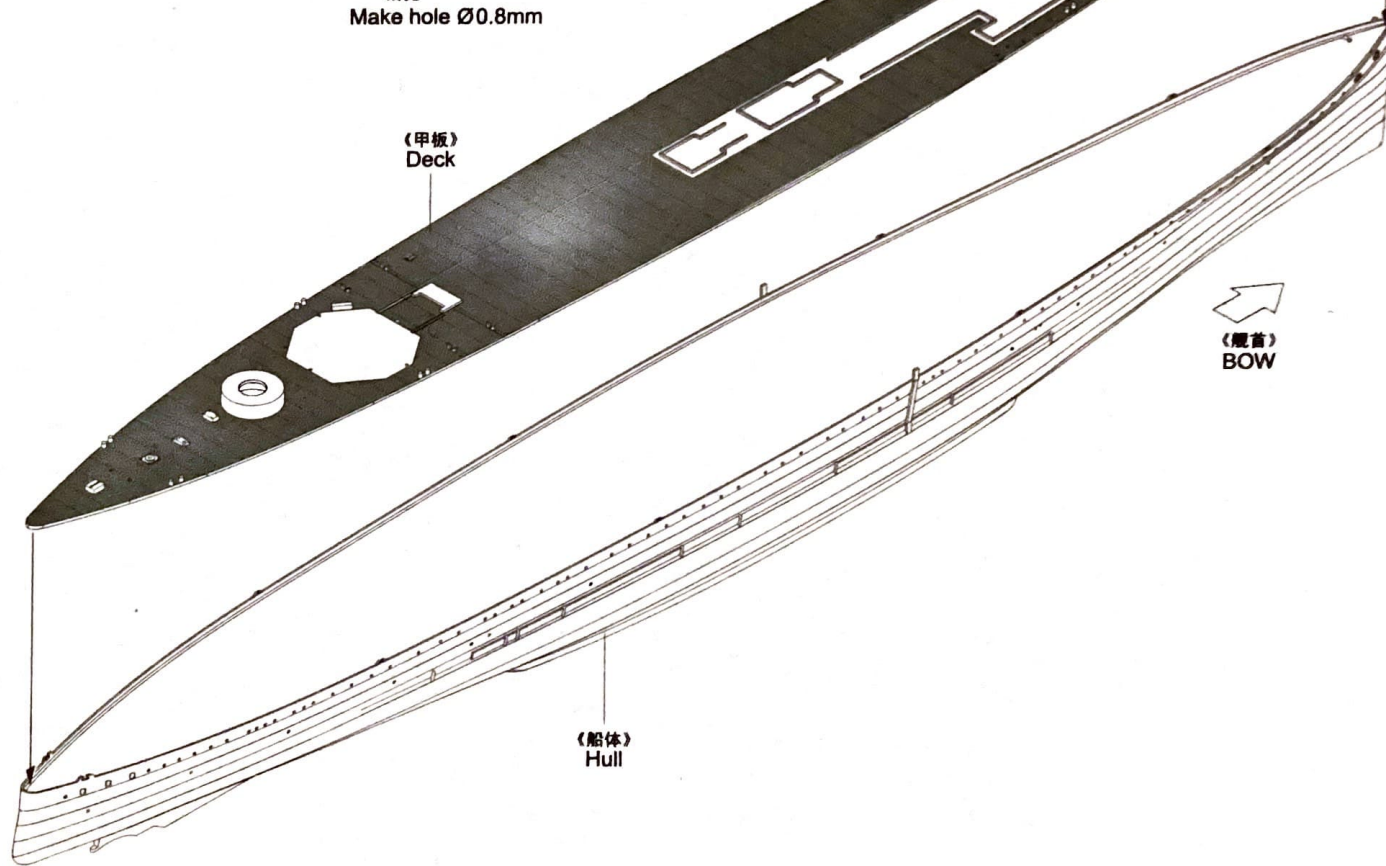
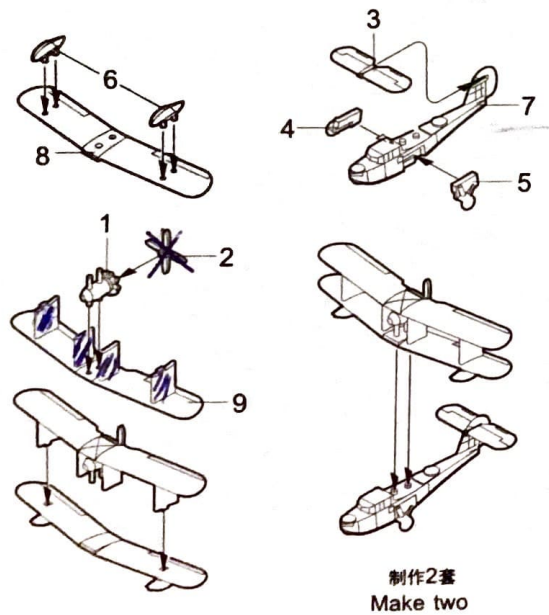
1



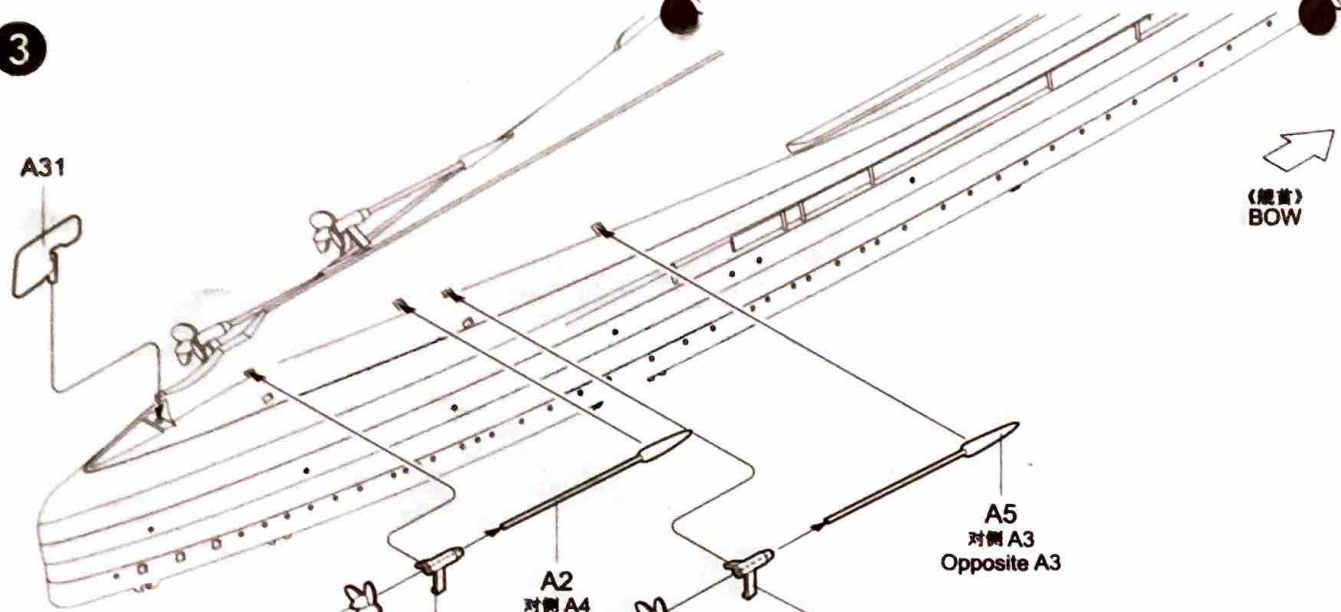
2

MK的组装
Assembly of MK

Remove struts and replace with P/E



3



Micromaster propellers

Plated.

PE-B11

J16

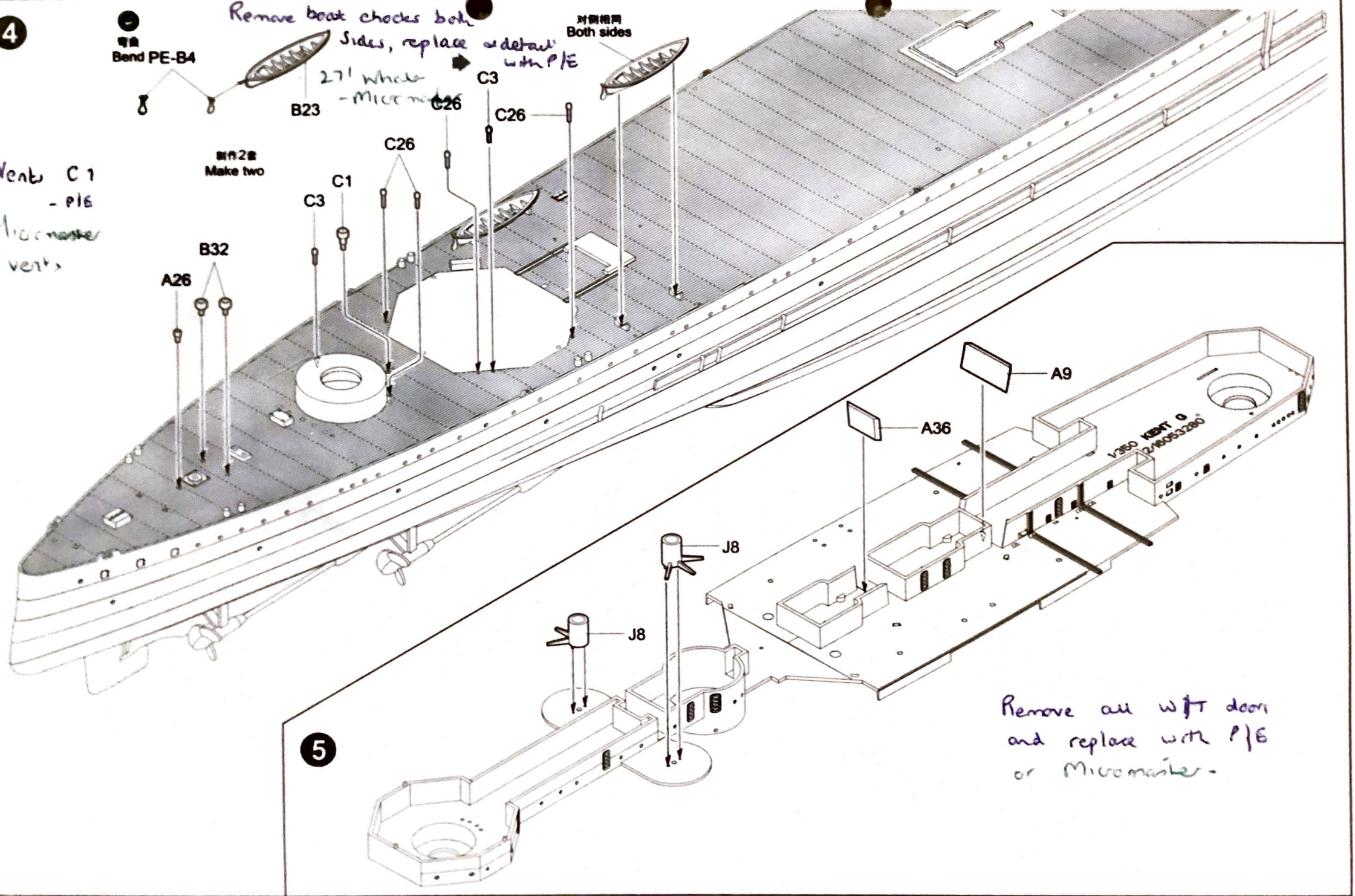
Replace with PIE

制作2组
Make two

对侧相同
Both sides

J33
对侧 J32
Opposite J32

《舰首》
BOW



6

C18x4
C3
C3

对侧 PE-A15
Opposite PE-A15
PE-A28
弯曲 Bend

对侧相同
Both sides
PE-B1

弯曲 Bend
PE-A26

PE-A29

PE-A1
弯曲 Bend

C22
对侧相同
Both sides
PE-B3

对侧相同
Both sides
C23

对侧相同
Both sides
PE-B15

对侧 PE-A3
Opposite PE-A3
PE-A7
弯曲 Bend

弯曲 Bend
对侧 PE-A4
Opposite PE-A4
PE-A5
弯曲 Bend

对侧相同
Both sides
PE-B8

弯曲 Bend
PE-A2

C18-PIE

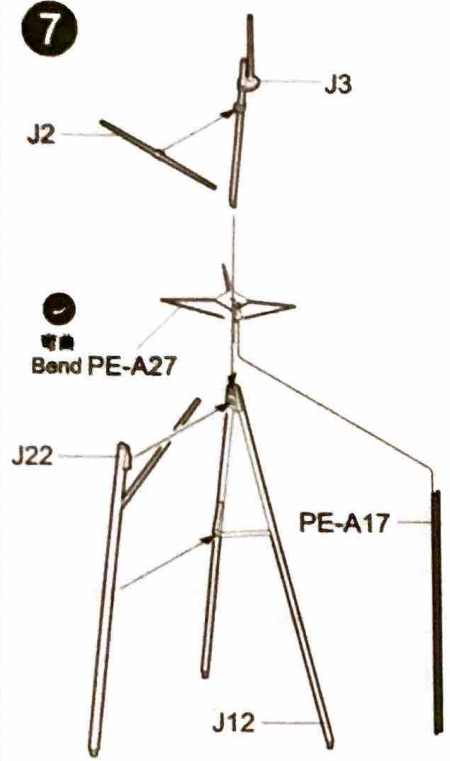
C18
C1x2

Remove boat chock
a replace with PIE
Lockers - Micromaster
C23 - 4"

弯曲 Bend
PE-A22

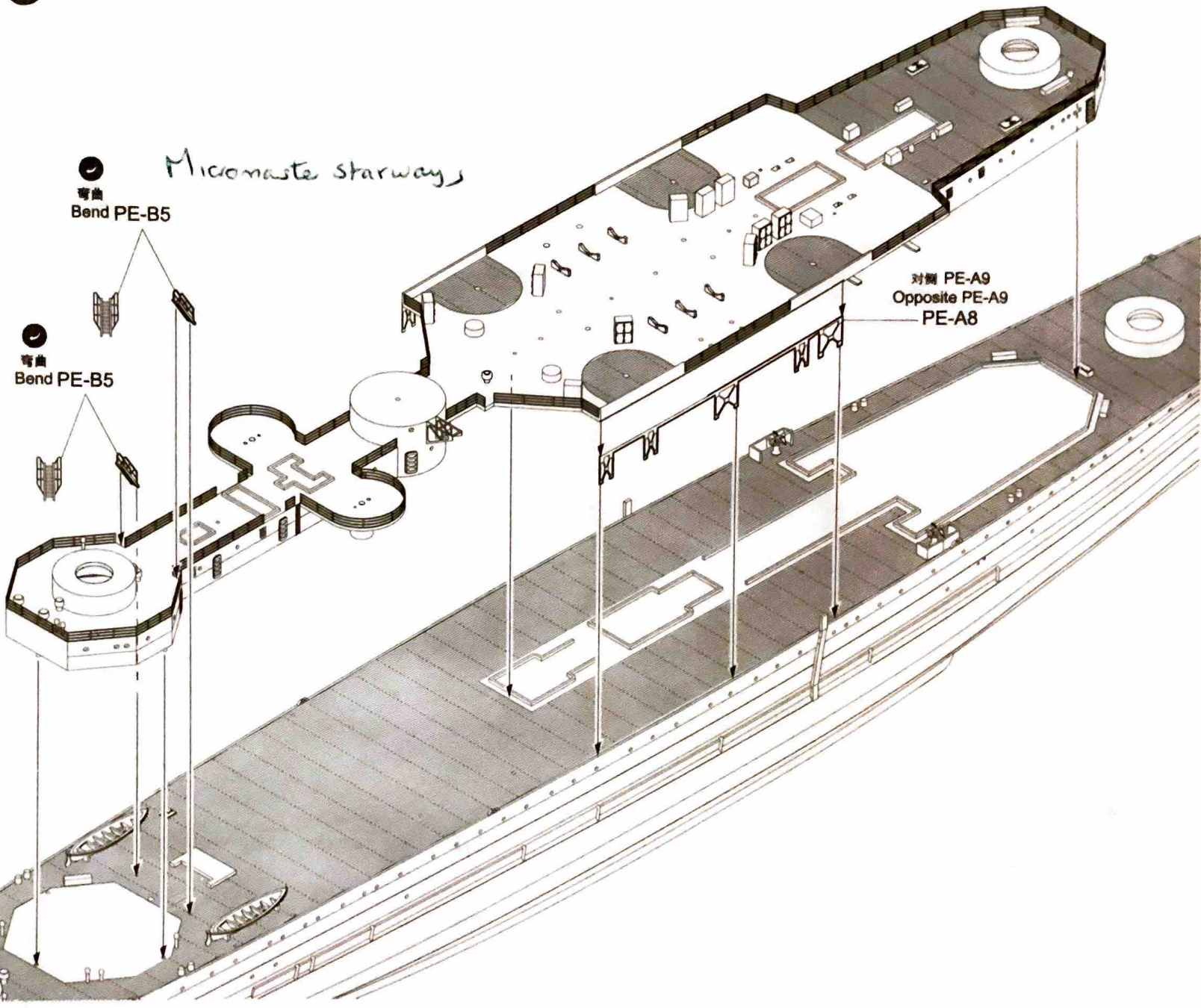
Replace all
verts with
Micro Master

7

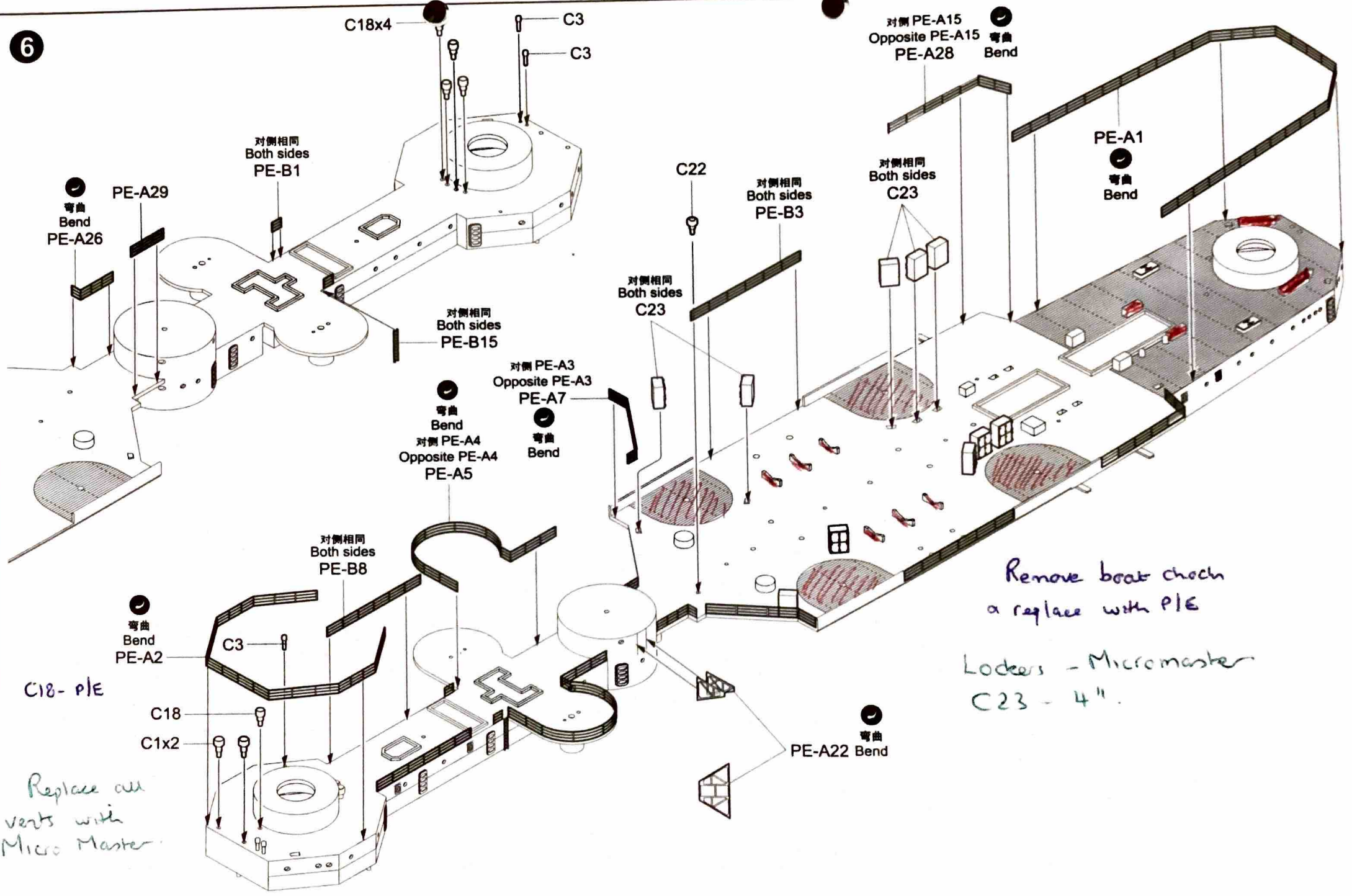


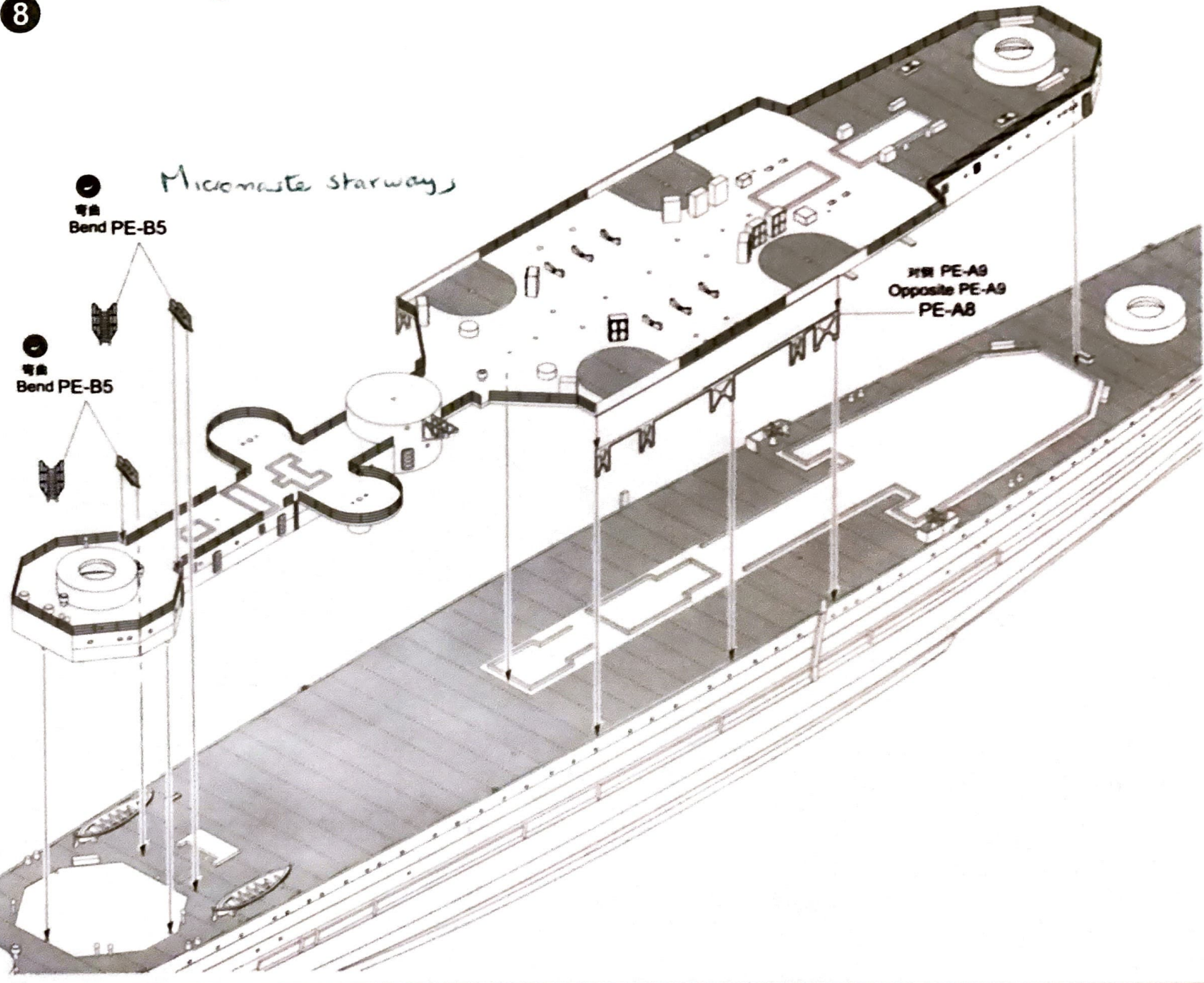
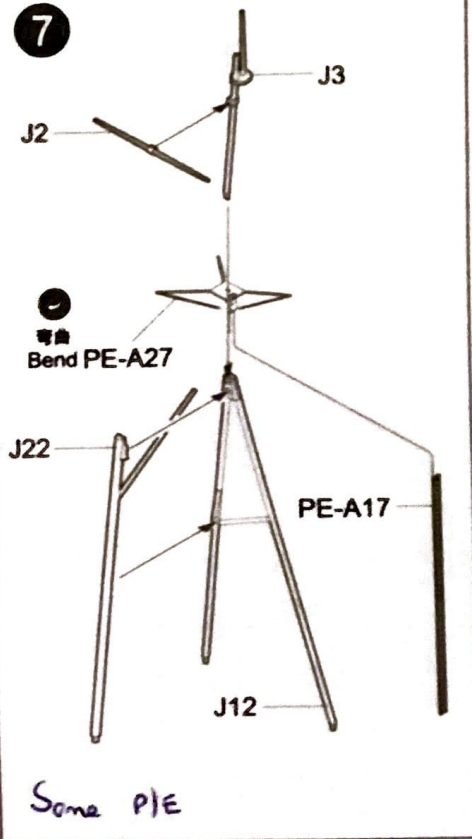
Some PIE

8

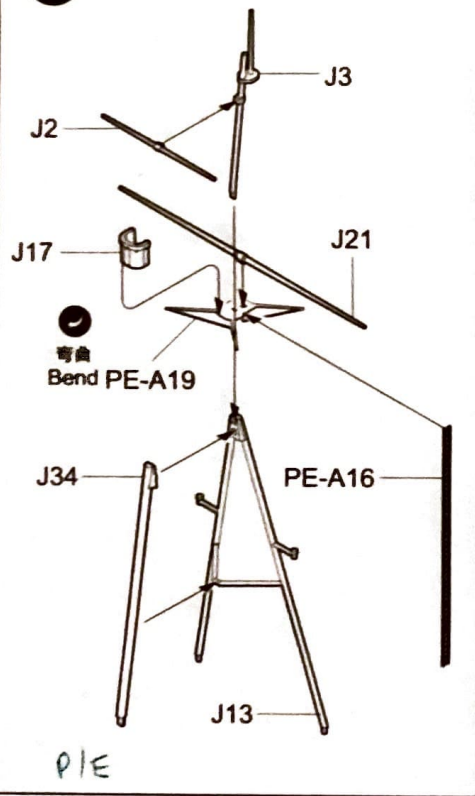


6

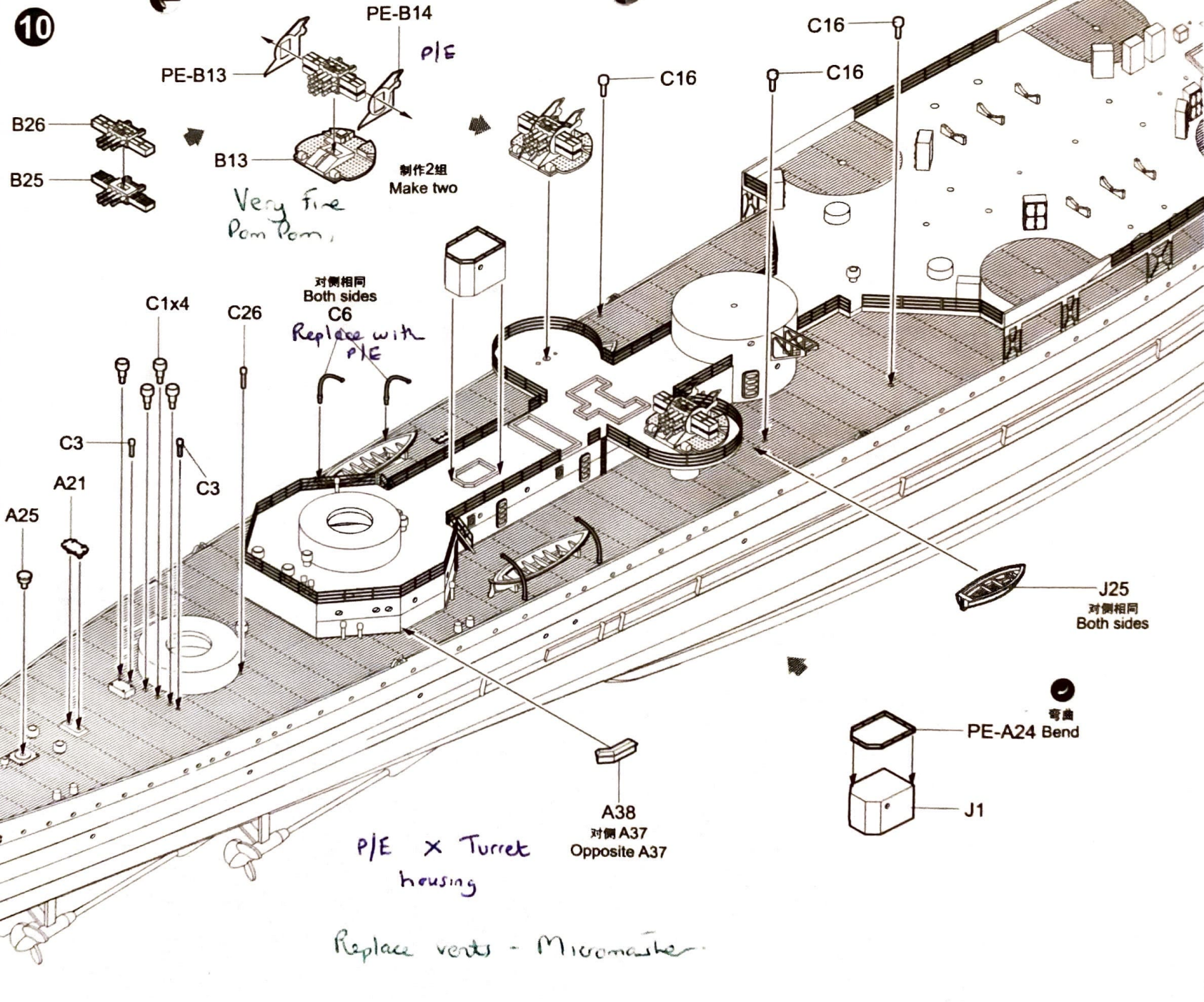




9



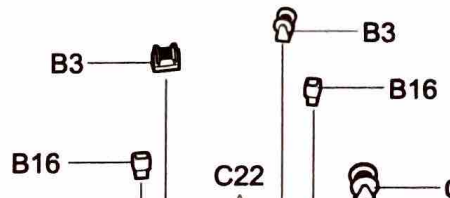
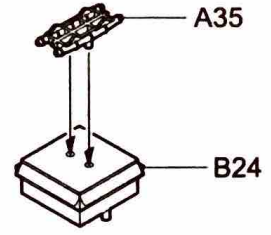
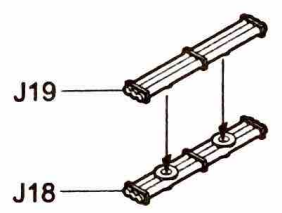
10



C14 - add P/E

B16 - P/E

C13 - P/E



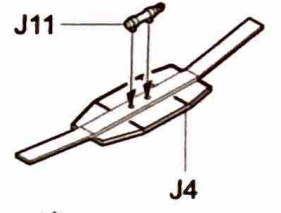
对侧相同
Both sides
C23

Micro Master

C14

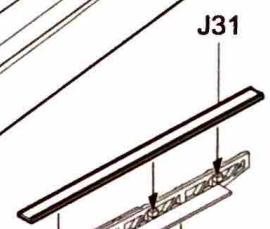
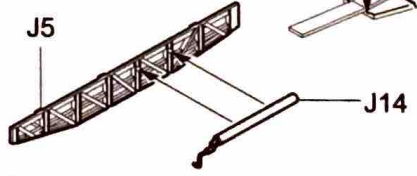
P/E
Micro
Master

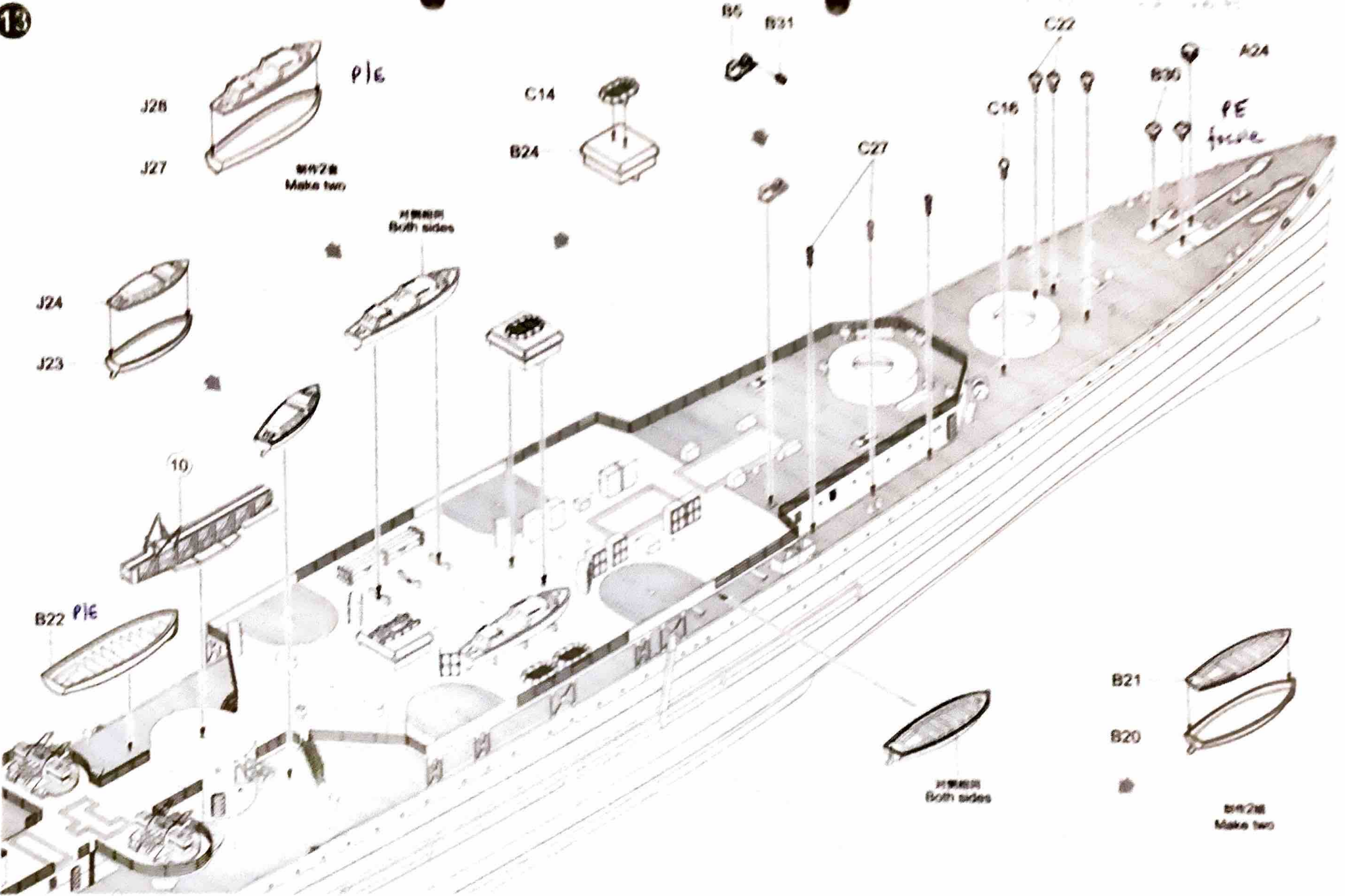
Use P/E
from Edward

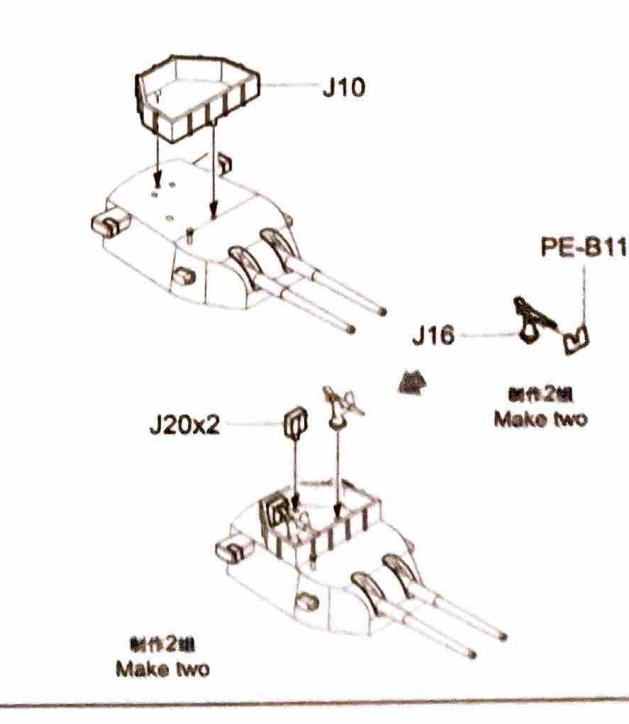
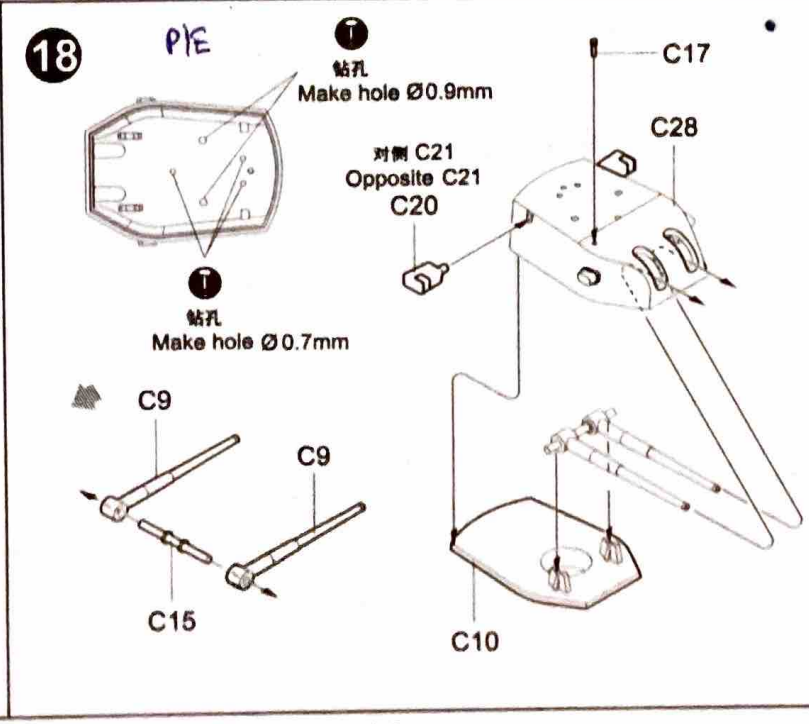
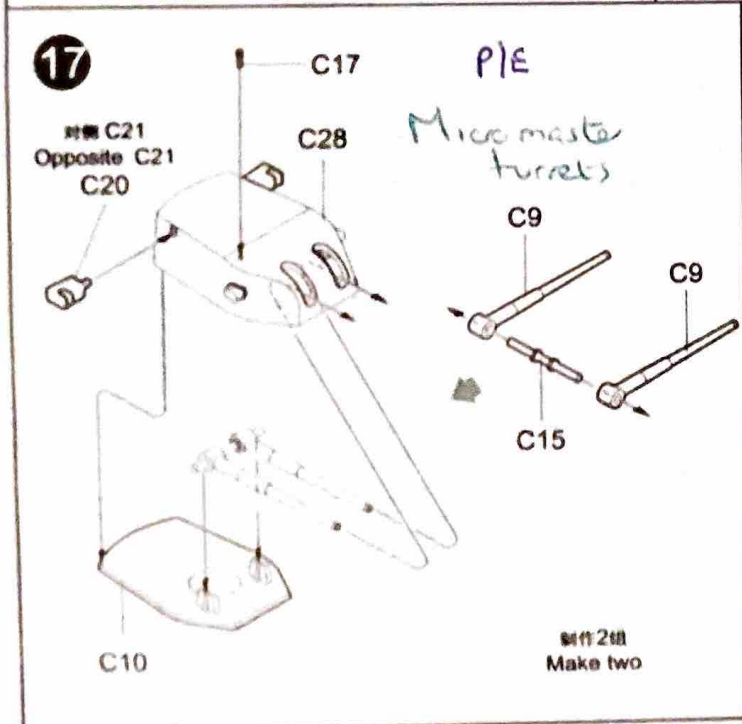
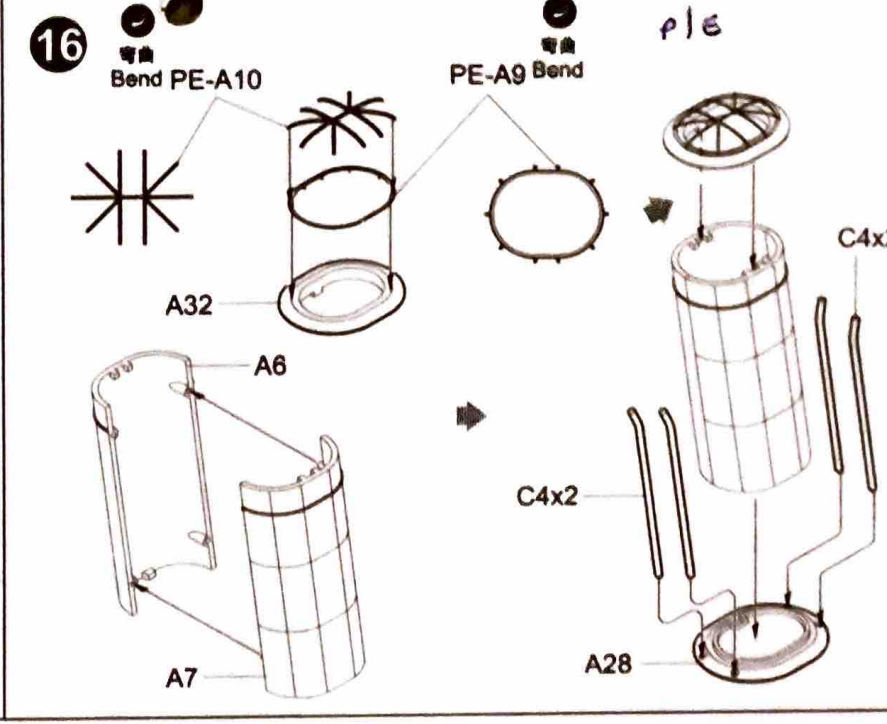
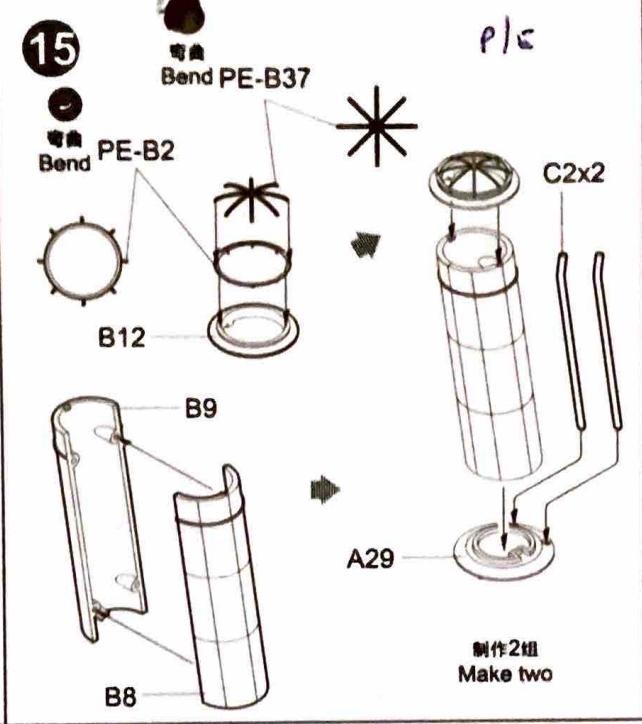
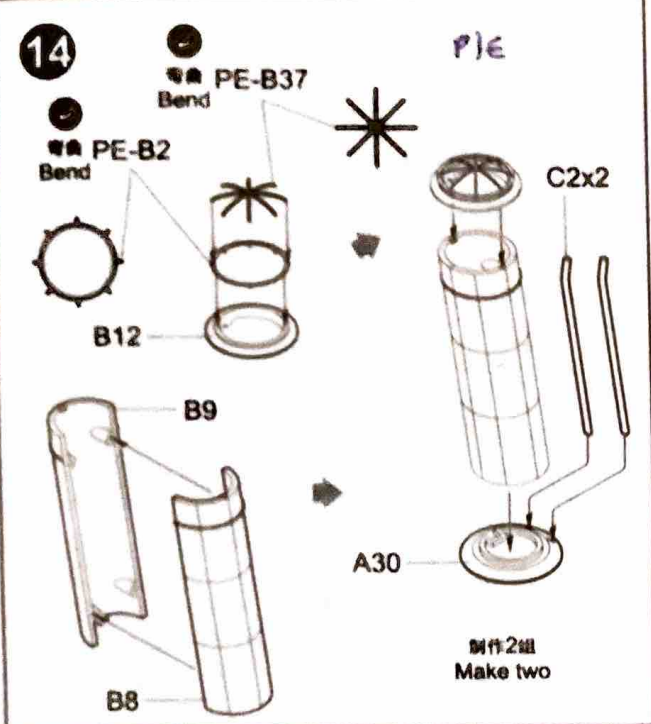


弯曲
PE-A13 Bend

J6







19

PE-B16

弯曲 Bend

PE-B16 Bend

对侧 PE-A11
Opposite PE-A11
PE-A12

对侧 PE-A14
Opposite PE-A14
PE-A6

弯曲 Bend

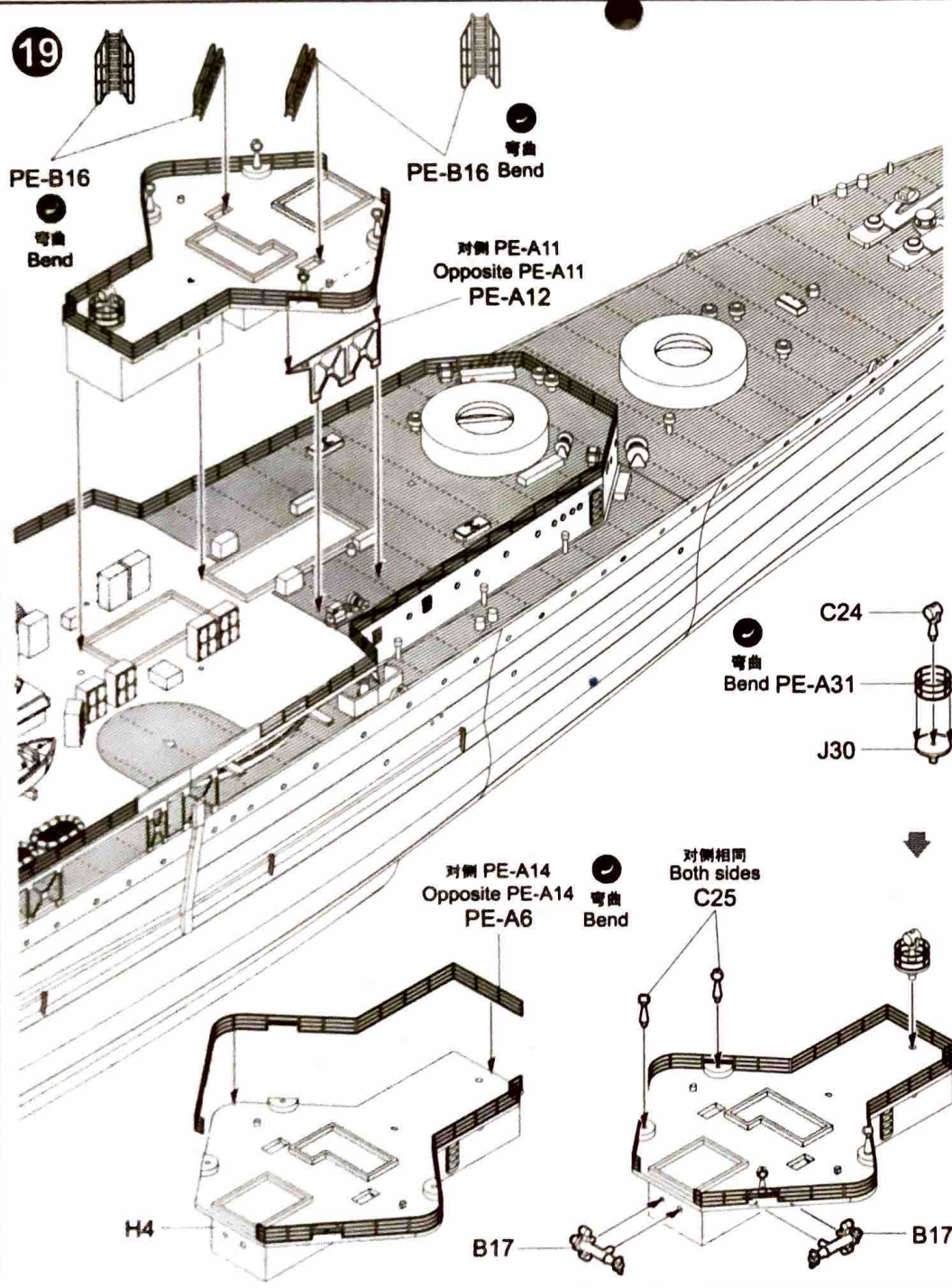
对侧相同
Both sides
C25

C24
弯曲 Bend
PE-A31
J30

H4

B17

B17



05352

Some p/e

20

PE-B17
弯曲 Bend

C19

制作2组
Make two

对侧 PE-A30
Opposite PE-A30
PE-A25

对侧相同
Both sides
弯曲 Bend
PE-B10

Detail bridge
as per Britmodeler

A23

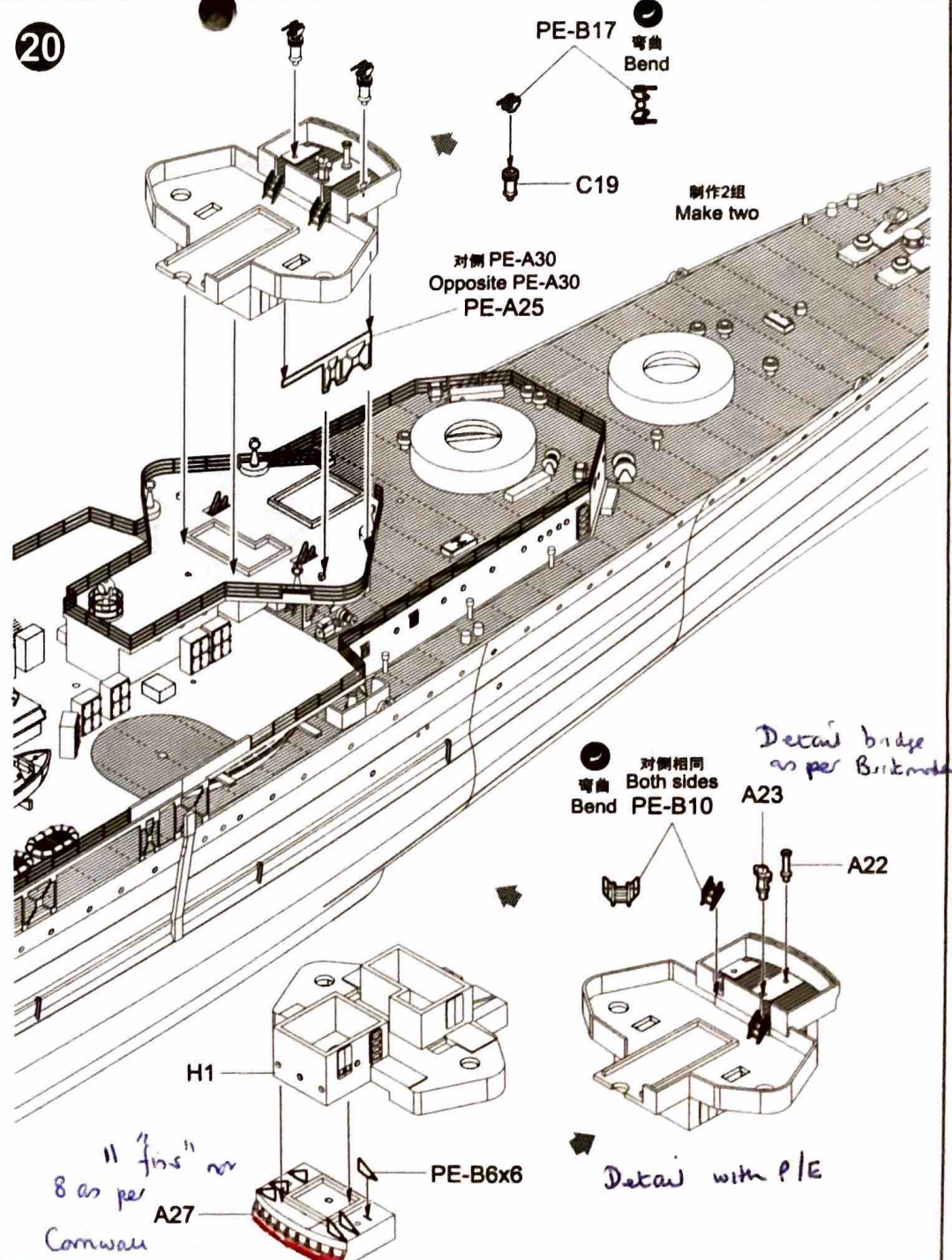
A22

H1

PE-B6x6

11 fins as per
8 as per
A27
Comwall

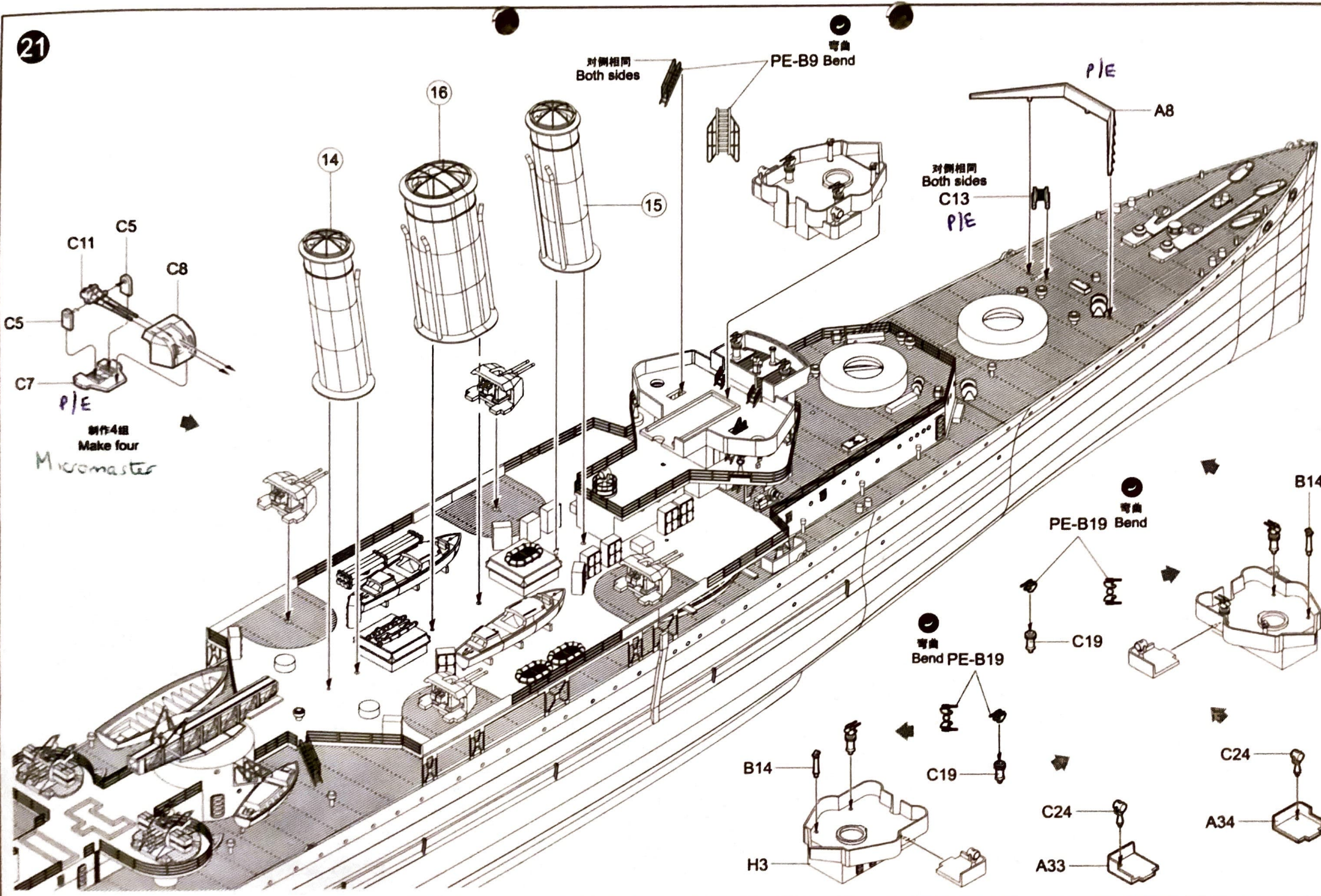
Detail with p/e

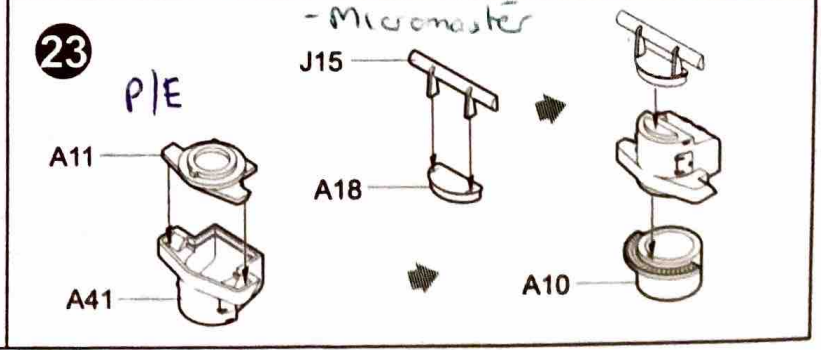
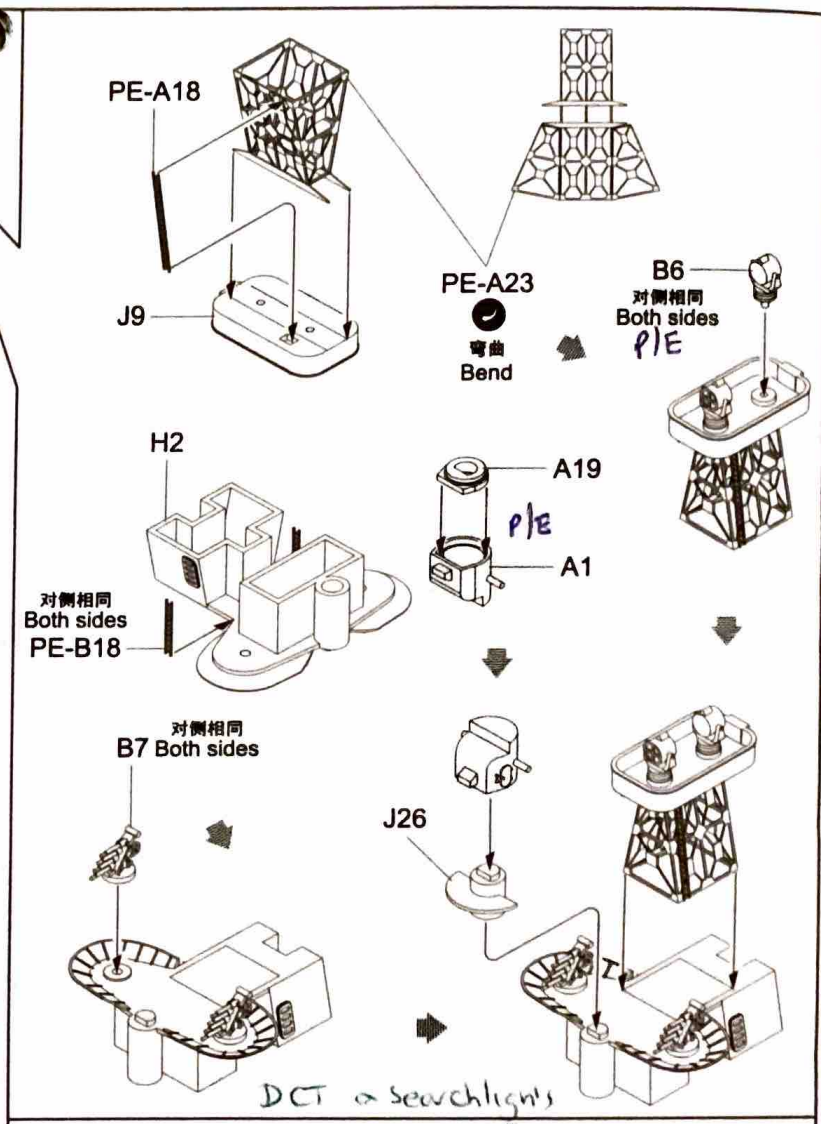
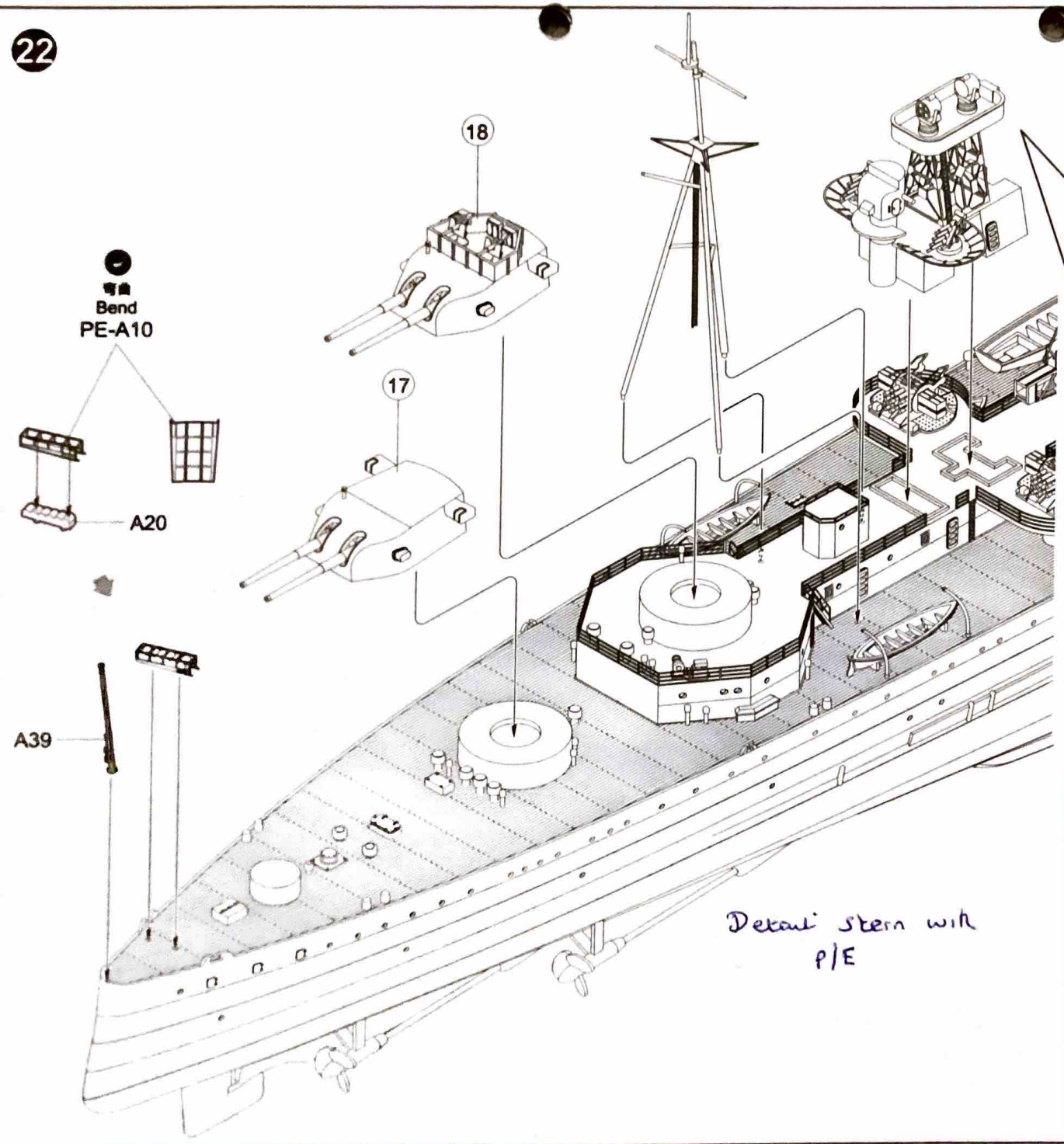


12

See Britmodeler

21

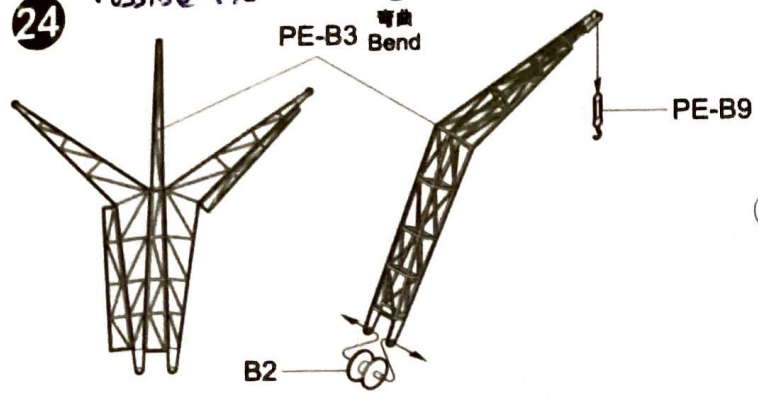




24

Possible p/e

PE-B3 Bend



PE-B9

B2

B11

B15

B10

制作2组
Make two

B1

B27

9

23

对侧相同
Both sides

B28

B29

制作2组
Make two

18

17

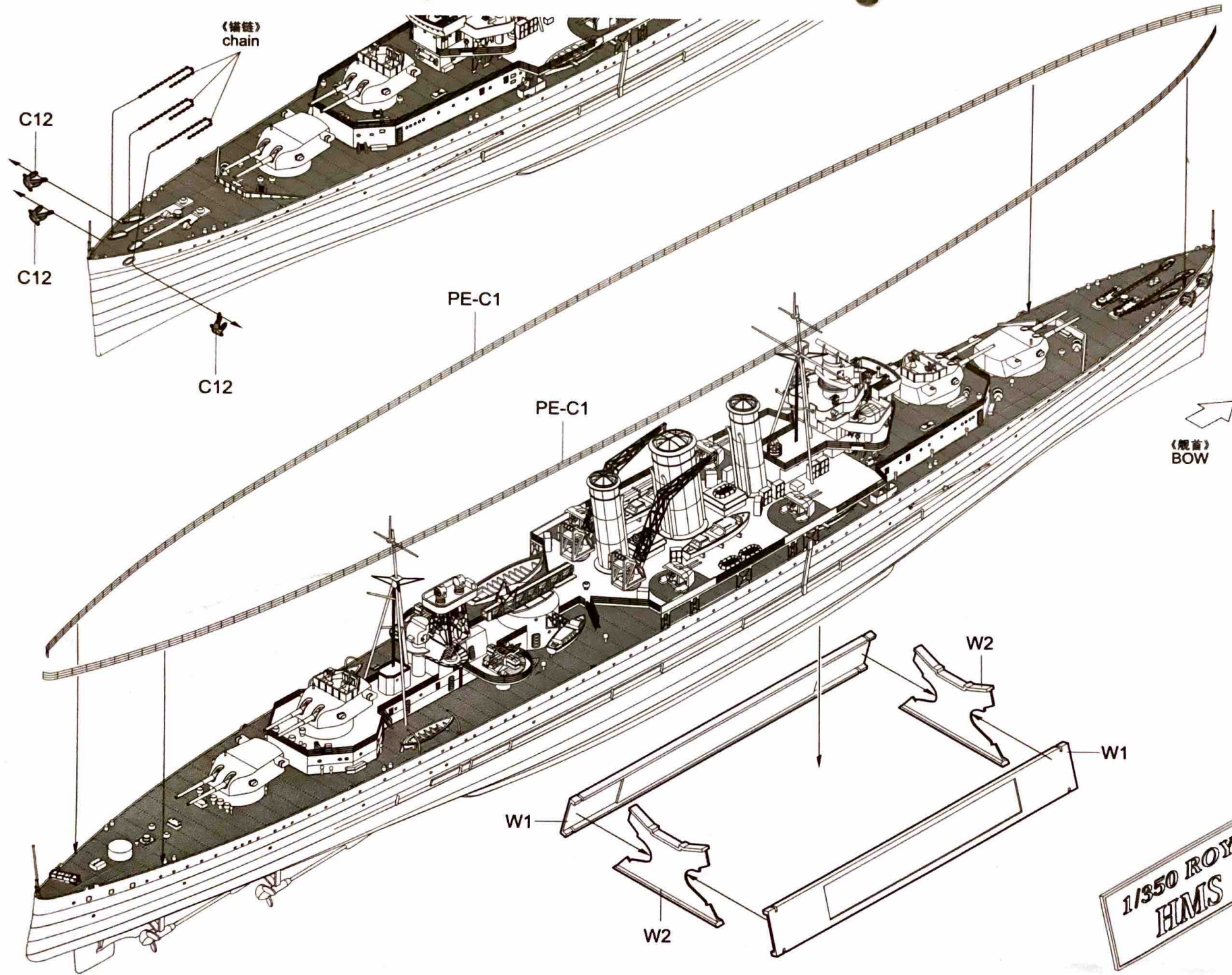
A40

Detail lockers
with p/e

A13
对侧 A12
Opposite A12

HACS

- Micromaster



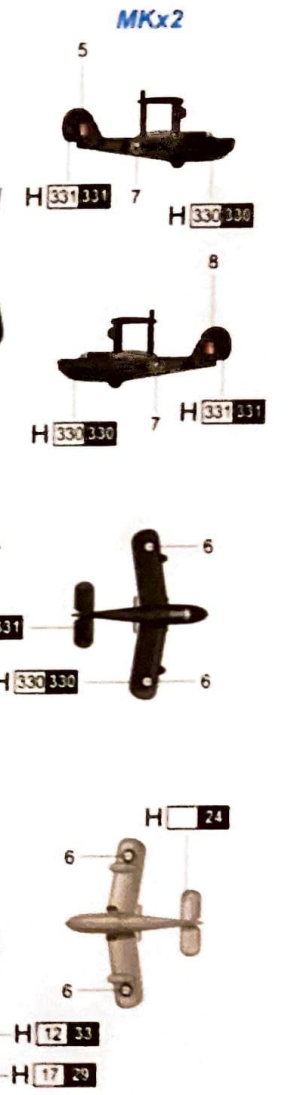
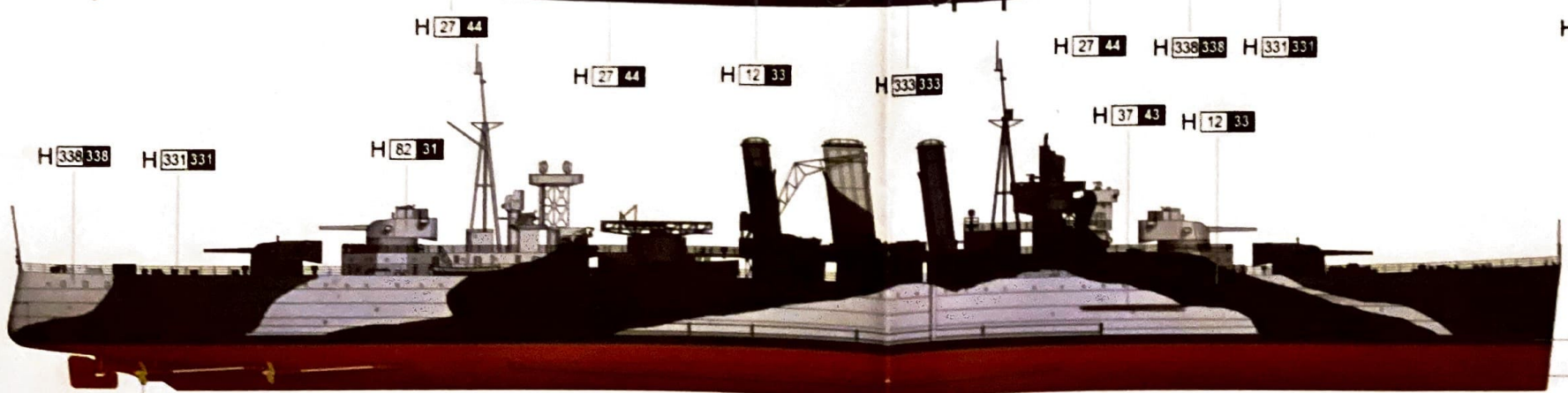
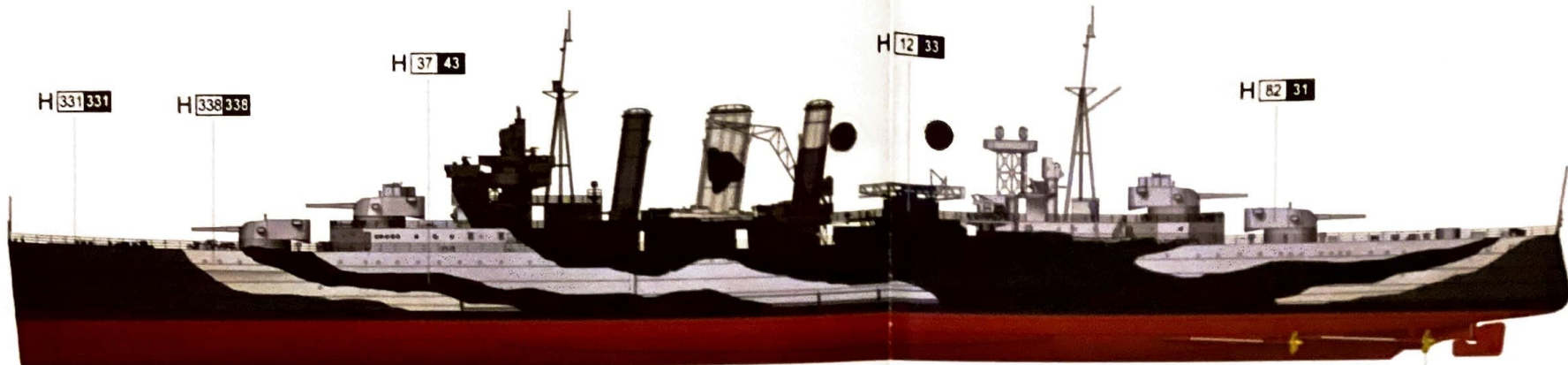
1/350 ROYAL NAVY
HMS KENT

涂装同标贴指示

Painting & Marking guide

REFERENCE COLOR

Color	Mr.Hobby	Acrycion	Vallejo	Model Master	Tamiya	Humbrol	Color	Mr.Hobby	Acrycion	Vallejo	Model Master	Tamiya	Humbrol
Gold 金色	H 9 9	N 9	878	1744	X12	16	Dark Green 深绿色	H 330 330	N 330	892	-	-	163
Sky 天空色	H 24	N	-	-	-	-	Dark Seagrass 深海灰	H 331 331	N 331	-	-	XF54	164
Cocoa Brown 赭底色	H 17 29	N 17	985	-	XF9	177	Dark Seagrass 深海灰	H 333 333	N 333	994	-	XF50	123
Flat Black 消光黑	H 12 33	N 12	950	1749	XF1	33	Light Gray 浅灰色	H 338 338	N 338	907	1732	XF14	147
Tan 黄褐色	H 27 44	N 27	981	-	-	9	Wood Brown 木棕色	H 37 43	N 37	983	1701	-	186
							Dark Gray(1) 深海灰	H 82 31	N 82	-	-	XF53	-



H AQUEOUS HOBBY COLOR
 ■ Mr. COLOR
N ACRYCION COLOR