

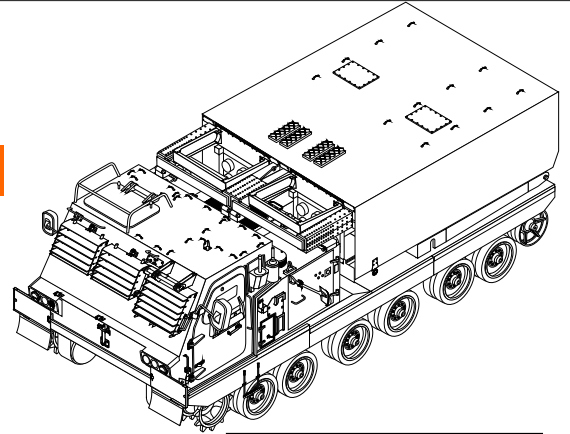
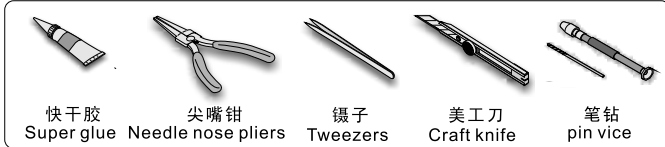
1/35 MILITARY MINIATURE VEHICLE UPGRADE SERIES PE35897


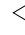








Modern US M270A1 Mittlere Artillerie Raketensystem (MARS) Cabin Interior


现代美军M270/A1多管火箭系统驾驶室内部改造

[For TRUMPETER 01046]

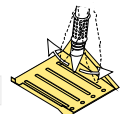
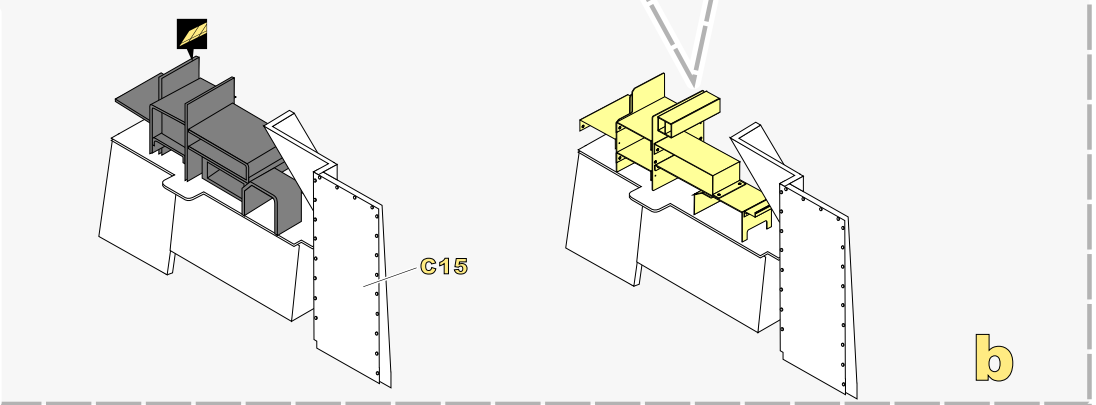
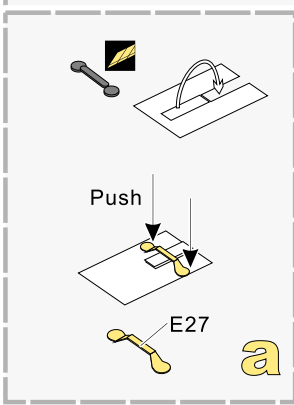
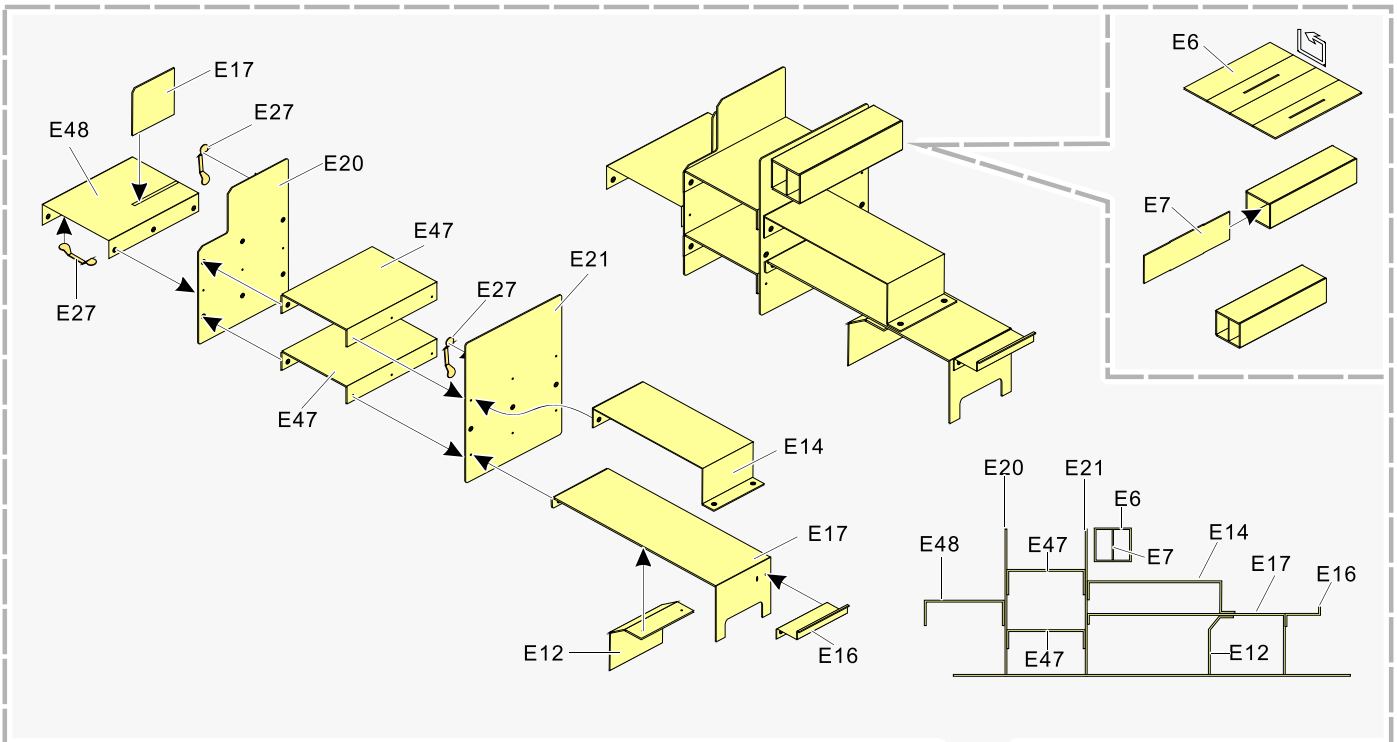
推荐使用工具 RECOMMENDED TOOLS



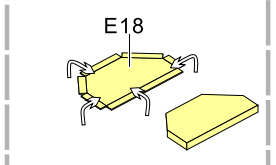
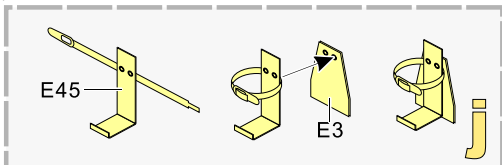
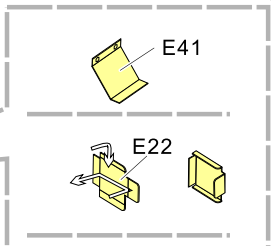
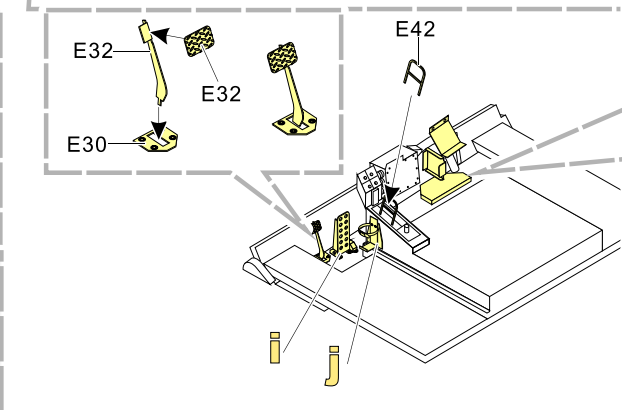
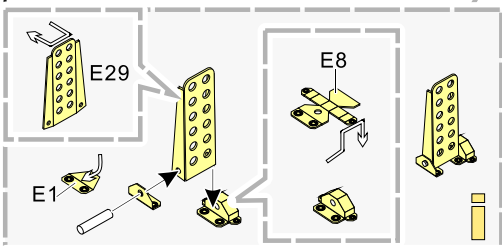
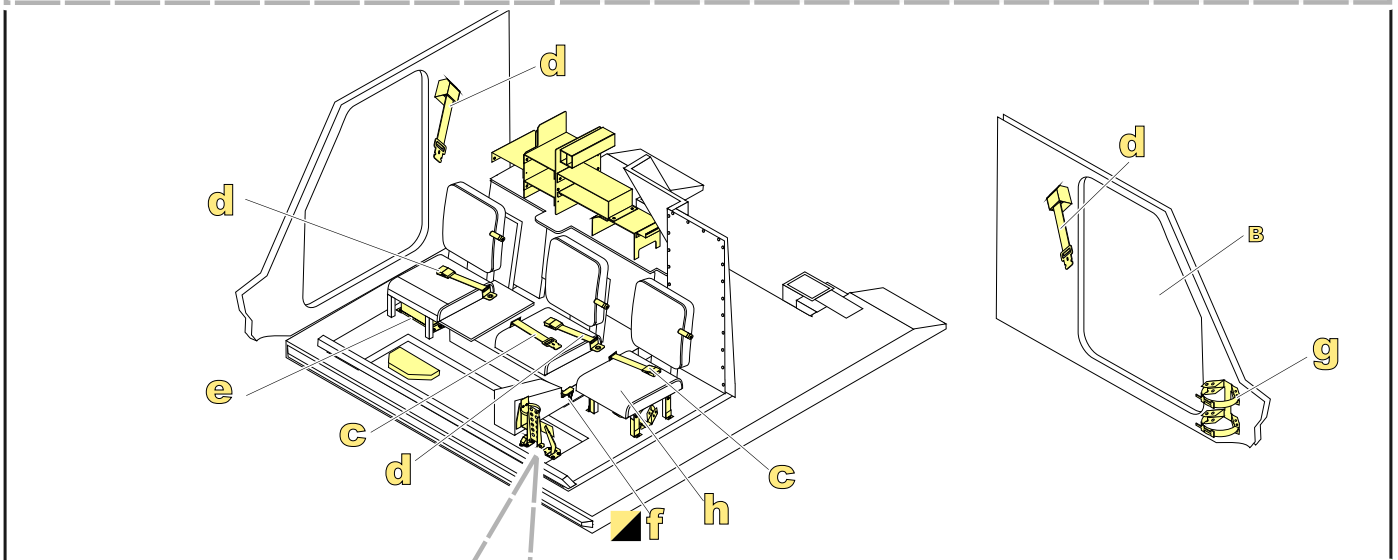
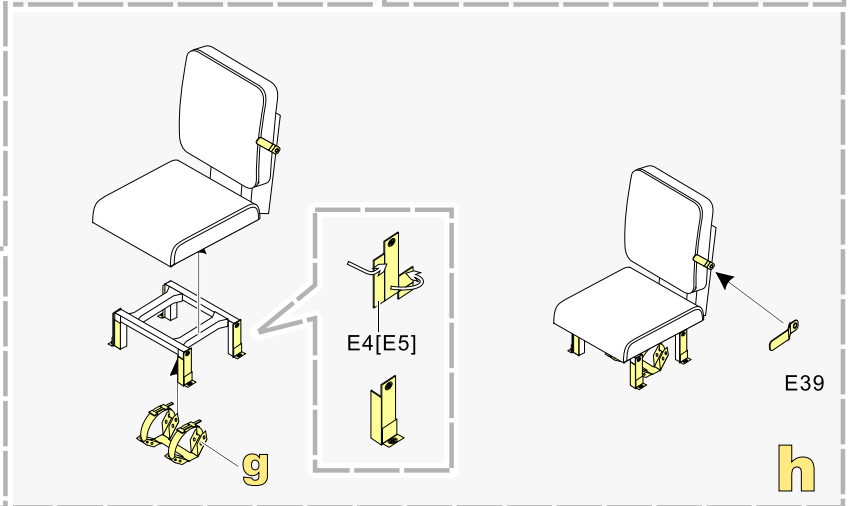
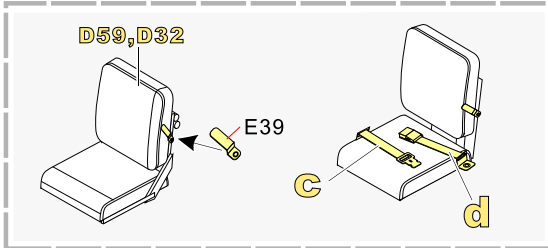
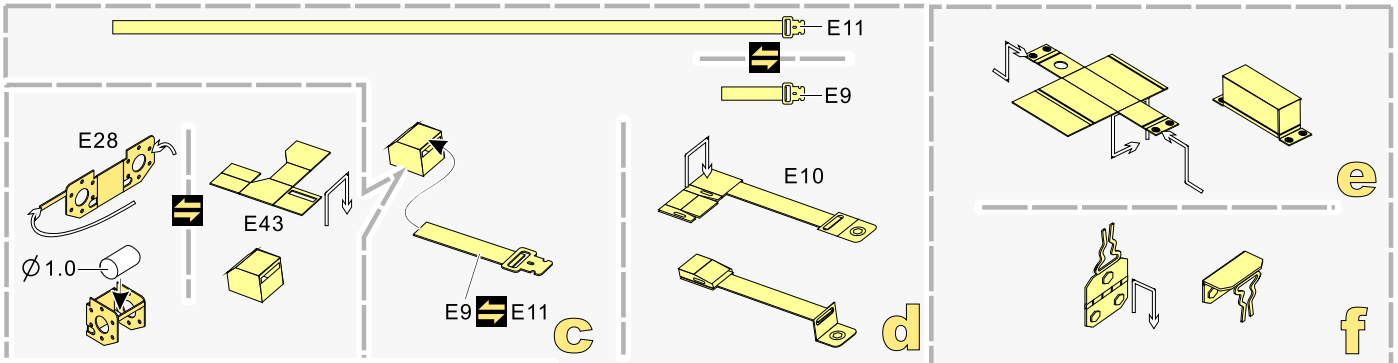
- 
安装
install
- 
折叠
bend
- A1**
改造件零件编号
PE/resin part number
- B12**
原零件编号
kit part number
- C22**
被替换的原零件编号
replaced kit part number
- 
 另一侧相同制作
repeat on opposite side
- 
切除
remove
- 
打磨
grind off
- 
弧度卷曲
radial bending
- 
制作若干组
multiple assembly
- 
选择安装
alternative
- 
钻孔
drill
- 
用胶棒制作
make from plastic rod


 用尖端在凹槽处冲压
use penpoint to press on the dent

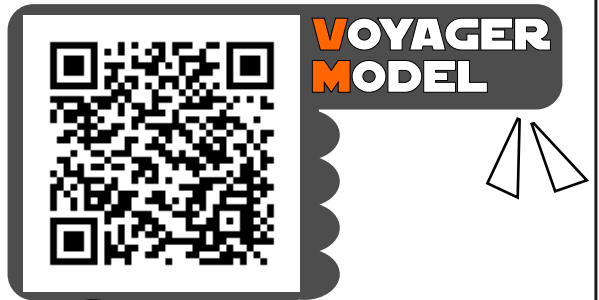
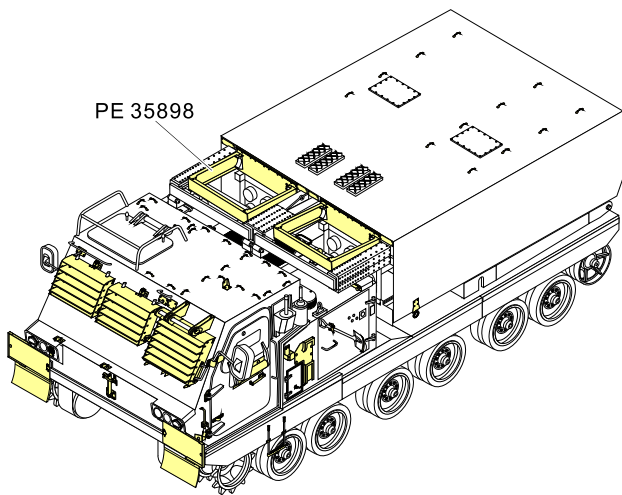
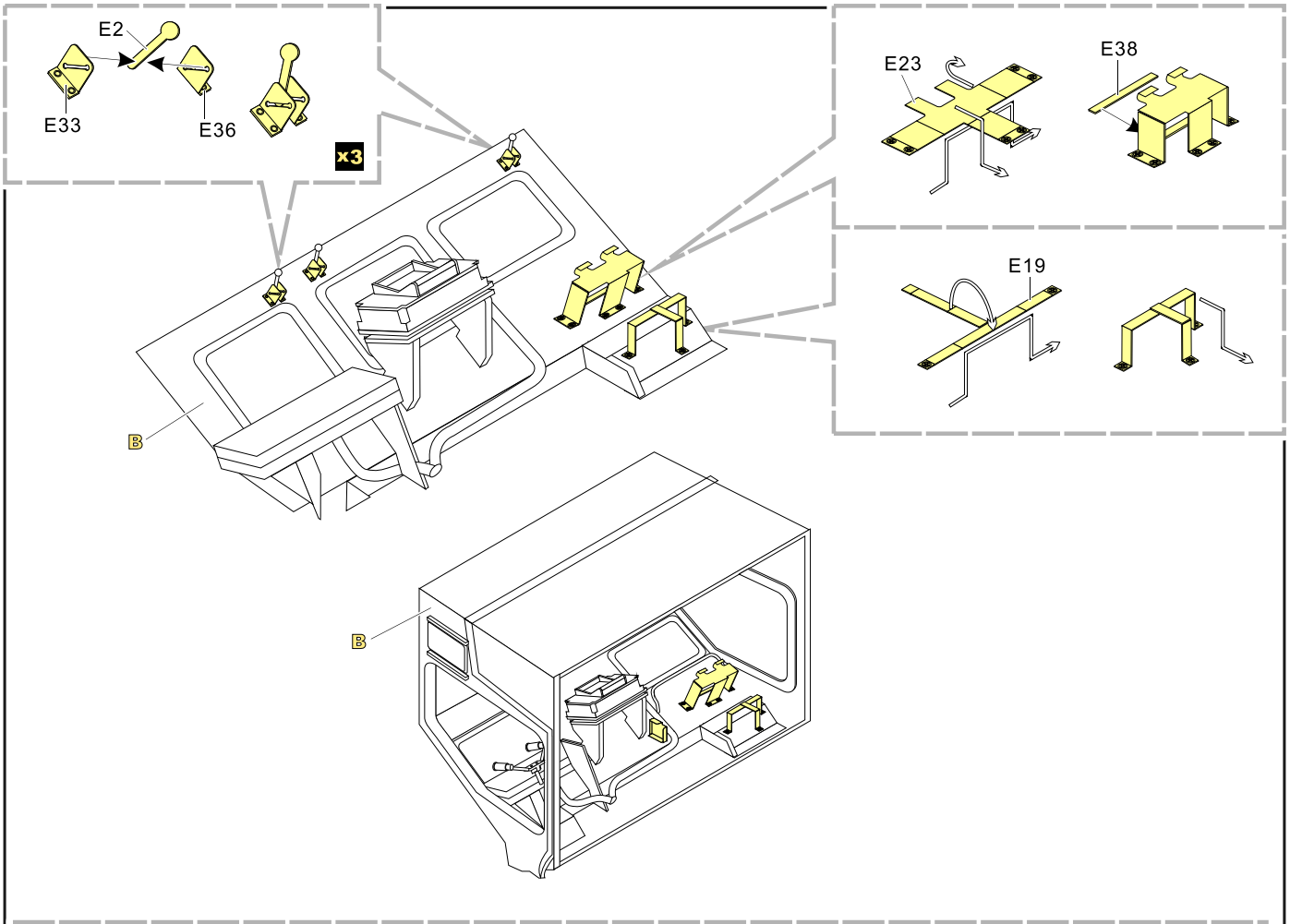
蚀刻片零件内侧面向上
Put the part upside down
用笔尖在凹槽处刺
Use penpoint to press on the dent

1/35 MILITARY MINIATURE VEHICLE UPGRADE SERIES PE35897



1/35 MILITARY MINIATURE VEHICLE UPGRADE SERIES PE35897



更多PE35897样品照片参考请扫一扫
MORE PICTUER OF PE 35897
REFERENCE SCAN HERE

VOYAGERMODEL® 无微不至 极尽享受 The Best Upgrade Solution	
Recommended item	
PE 35898	Modern US M270A1 Mittlerle Artillerie Raketten System (MARS)Basic
PE 35189	Modern US Army M1128 MGS
PE 35321	Modern US Army M1134
PE 35350	Modern US ARMY AAVP-7A1 RAM/RS
PE 35415	Modern US Army M1A1 AIM Abrams Basic
PE 35416	Modern US Army M1A2 SEP Abrams Basic
PE 35555	Modern US M1A2 SEP Abrams w/TUSK I/II Basic
PE 35540	Modern US Army M109A2 Self-propelled howitzer
PE 35541	Modern US Army M109A6 Self-propelled howitzer

VOYAGERMODEL® 无微不至 极尽享受 The Best Upgrade Solution	
Recommended item	
PE 35550	Modern US Army M109A2 Self-propelled howitzer
PE 35385	Modern US ARMY AAVP-7A1w/EAAK
PE 35417	Modern USMC M1A1 TUSK1 Abrams Basic
PE 35607	Modern US Army D9R Armored BullDozer
PE 35632	Modern US Army M88A1 Recovery Vehicle (smoke discharger include)
PE 35629	Modern US Army M109A6 Self-propelled howitzer
PE 35661	Modern US Army M2A3 BRADLEY ERA set
PE 35660	Modern US Army M2A3 BRADLEY w/BUSK III IFV Basic (Gun barrel ,smoke discharger include)
PE 35724	Modern US Army M3A3 BRADLEY w/BUSK III IFV Basic (Gun barrel ,smoke discharger include)
PE 35725	Modern US Army M3A3 BRADLEY ERA set
PE 35746	Modern US Army M1A2 SEP V2 Abrams Basic