

CAUTION

- A supervising adult should read the instructions if a small child (under 14 years old) assembles the model.
- The kit contains small parts, they can be dangerous if swallowed, keep away from reach of small children.
- Keep plastic bag away from small children! Suffocation hazard!
- When assembling this kit, tools including knives and scissors are used. Be careful with sharp edges to avoid personal injury!
- When using cement, adhesives and paints, don't use these in closed room or near fire, avoid contact of chemicals with your eyes, face and clothes!

PLEASE READ BEFORE ASSEMBLY!

- Read carefully and fully understand the instructions before starting.
- Cut all parts off carefully and trim any excess of plastic before assembling.
- Use plastic cement and paints only.
- Apply cement on inside surfaces only and use small amount of cement to avoid damage of your model.
- Use rubber bands or tape to hold parts together until cement bands.
- After assembly, prime and apply decals. Please refer to the included Painting & Marking instruction.

RECOMMENDED TOOLS (not included in this kit)

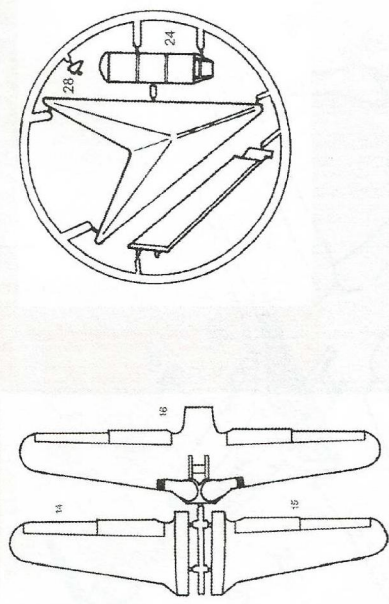
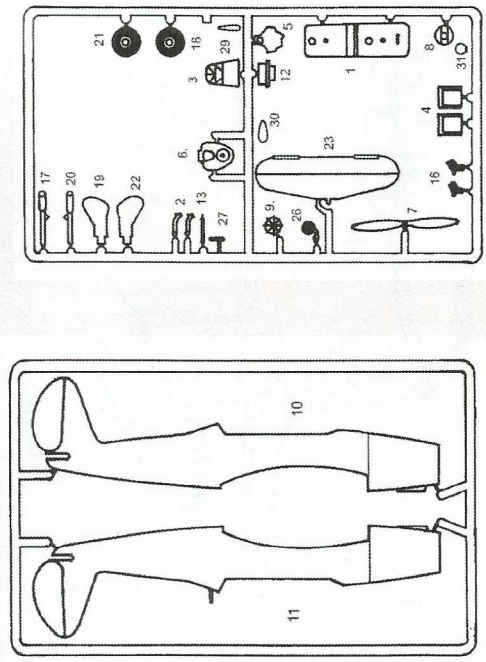
- Styrene cement
- Enamel and/or acrylic paints
- Side cutters, Sharp edged pliers
- Modelling knife, Scissors
- Nippers & Drill
- Sand paper, Soft cloth

Please take your time, do not hurry! You'll find your finished model will reflect your time, work and patience. Enjoy your kit.

LEGEND

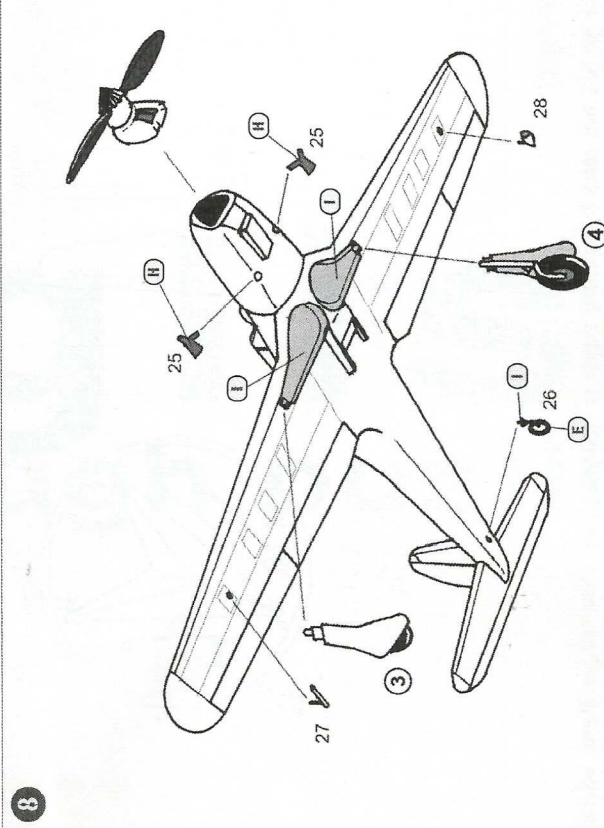
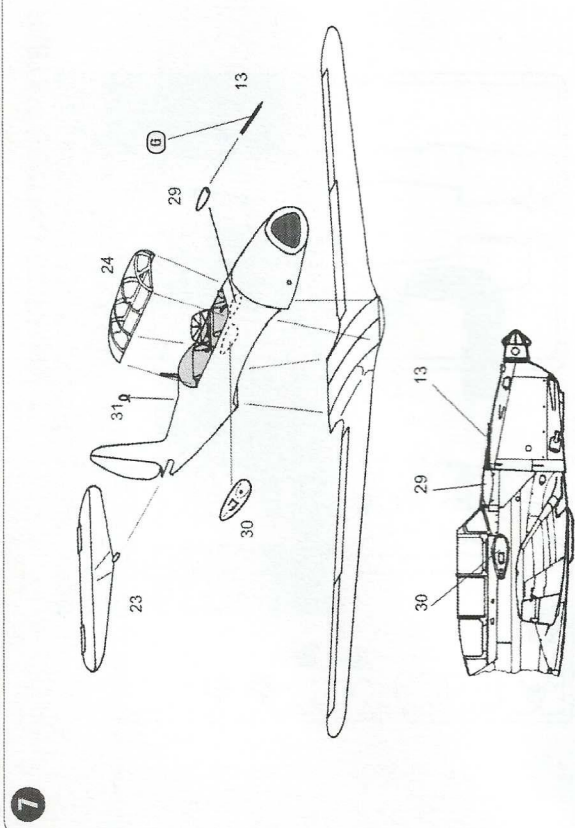
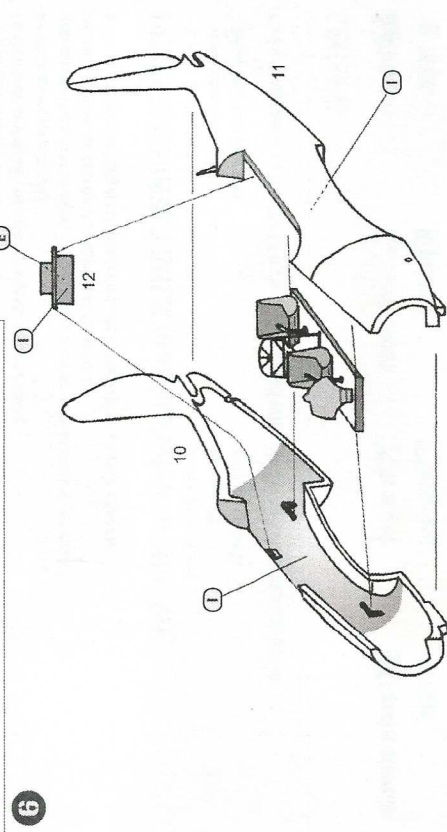
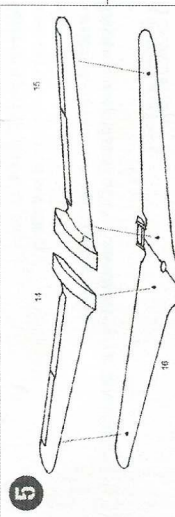
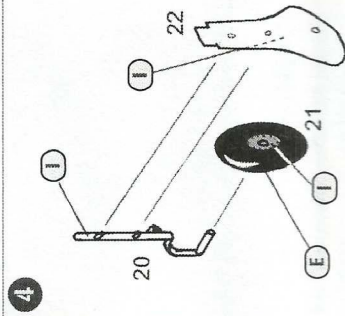
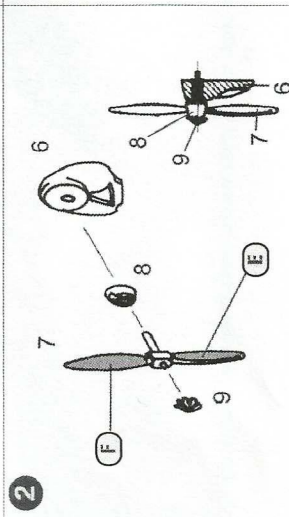
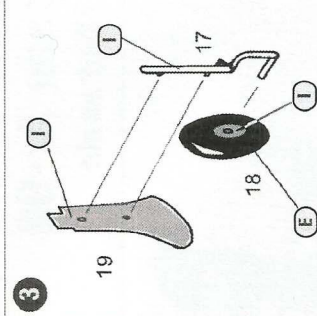
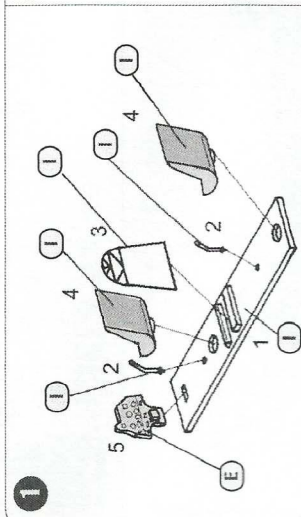
- Drill a hole
- Cut off / remove
- No cement
- Weight
- Optional
- Apply decal
- Repeated operation
- Point

PARTS LOCATING DIAGRAM



SUPPORT

In case you need help, advice from modeling experts or replacement parts, please visit our internet website: www.kp-models.com. Under Building Log menu point you'll find useful tips & tricks as well you can follow building process on pictures. Don't hesitate to post your comment or question, our experts will answer you.



Painting and Marking

Item No.: P72151

Arado Ar-96

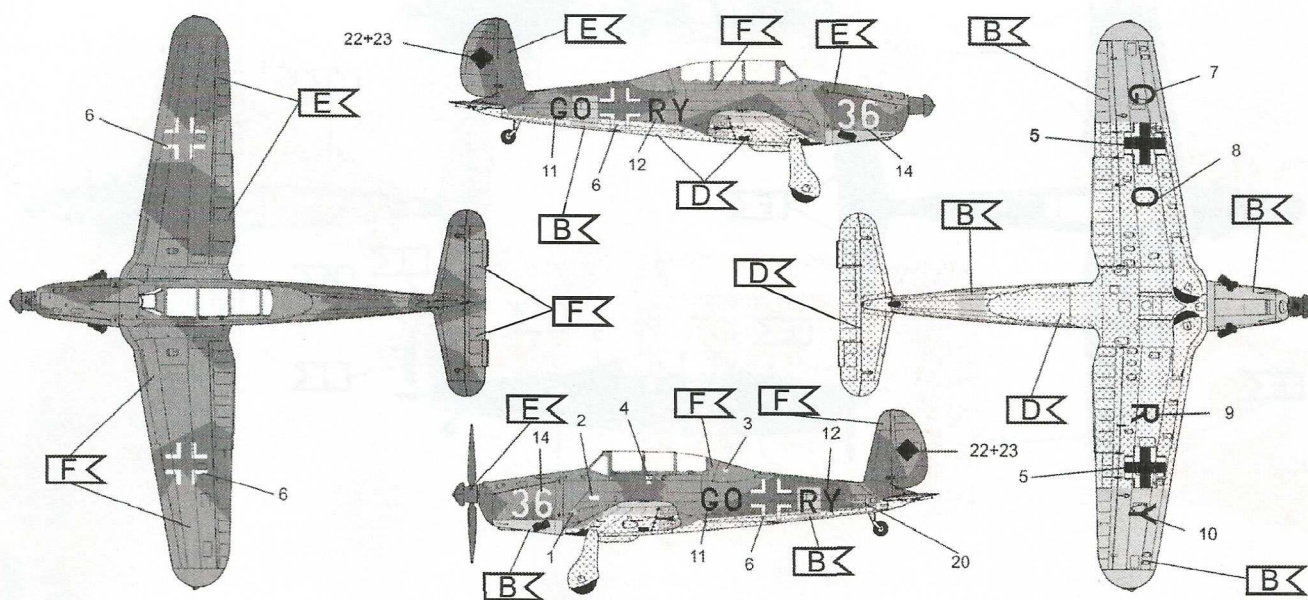


Colour Code		HUMBROL	AGAMA
A	White	34	01
B	Yellow	99	02
C	Red	60	04
D	Green	101	06
E	Black	33	07
F	Silver	11	08
G	Gunmetal	53	32
H	Exhaust tubs	113	54
I	Grey	-31	N 6

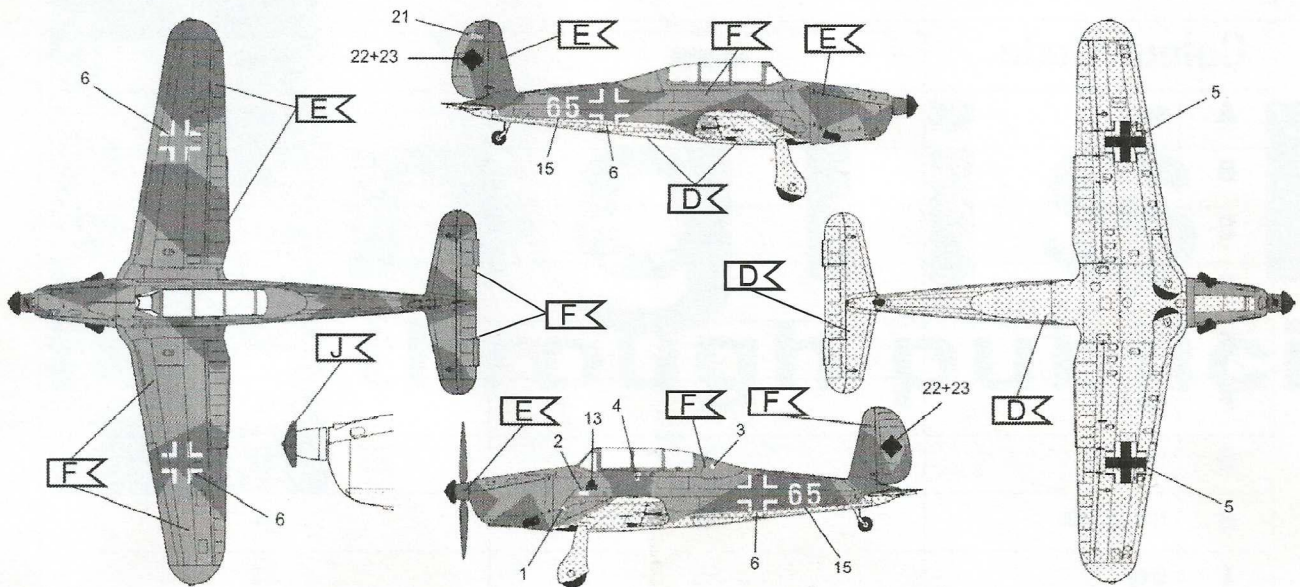
Decal Application

- Cut off decal from sheet.
- Dip the decal in tepid water for about 10 sec and place on a clean cloth for 10 sec.
- Hold the backing sheet edge and slide decal onto the model.
- Move decal into position by wetting decal with finger.
- Press decal gently down with a soft cloth until excess water and air bubbles are gone.

1 Arado 96 B-7, Schlachtgeschwader 102, Havlíckuv Brod (Deutschbrod), X.1944 - III.1945



2 Arado 96B Luftwaffe, 17.VII.1944 Praha-Ruzyn



3 Arado 96 B-1, Armée de l'Air, 1945

