

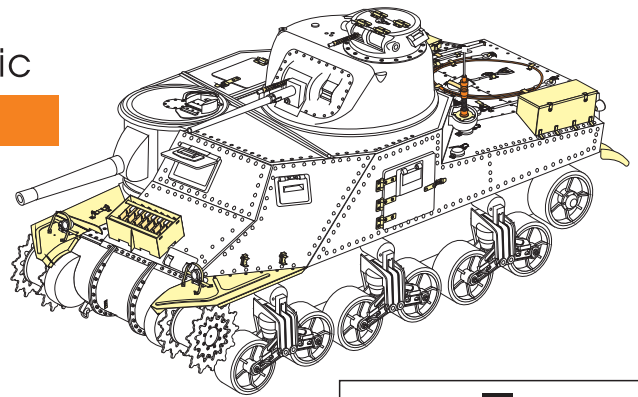
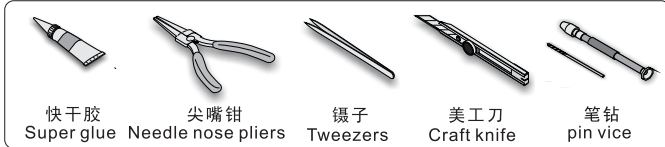
1/35 MILITARY MINIATURE VEHICLE UPGRADE SERIES PE35842










WWII US M3A4 Lee Medium Tank basic


二战美国M3A4 李 式中型坦克基本改造件

[For TAKOM 2085]

推荐使用工具 RECOMMENDED TOOLS



- 
 安装
install
- 
 折叠
bend
- A1**
 改造件零件编号
PE/resin part number
- B12**
 原零件编号
kit part number
- C22**
 被替换的原零件编号
replaced kit part number
- 
 另一侧相同制作
repeat on opposite side
- 
 切除
remove
- 
 打磨
grind off
- 
 弧度卷曲
radial bending
- x2**
 制作若干组
multiple assembly
- 
 选择安装
alternative
- 
 钻孔
drill
- 
 用胶棒制作
make from plastic rod


 用尖端在凹槽处冲压
use penpoint to press on the dent

蚀刻片零件内朝面向上
Put the part upside down
 用笔尖在凹槽处刺
Use penpoint to press on the dent



推荐 VBS0520或VBS0187
 VOYAGERMODEL VBS0301 or VBS0187
 Recommended

Turret
炮塔

先切下一块遮盖胶纸
Cut a piece of masking tape to proper len

未上色零件
Unpainted part

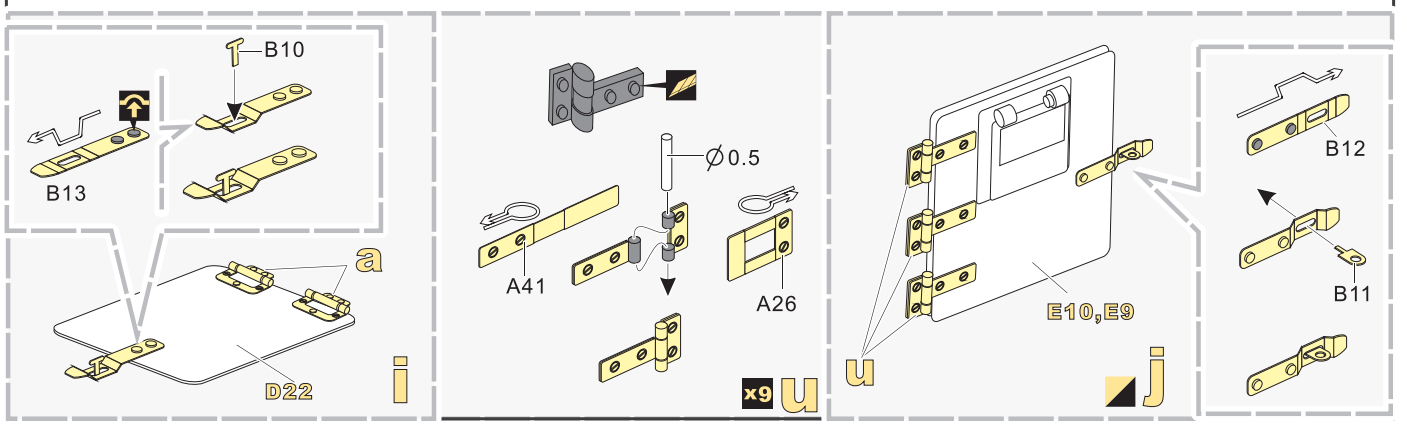
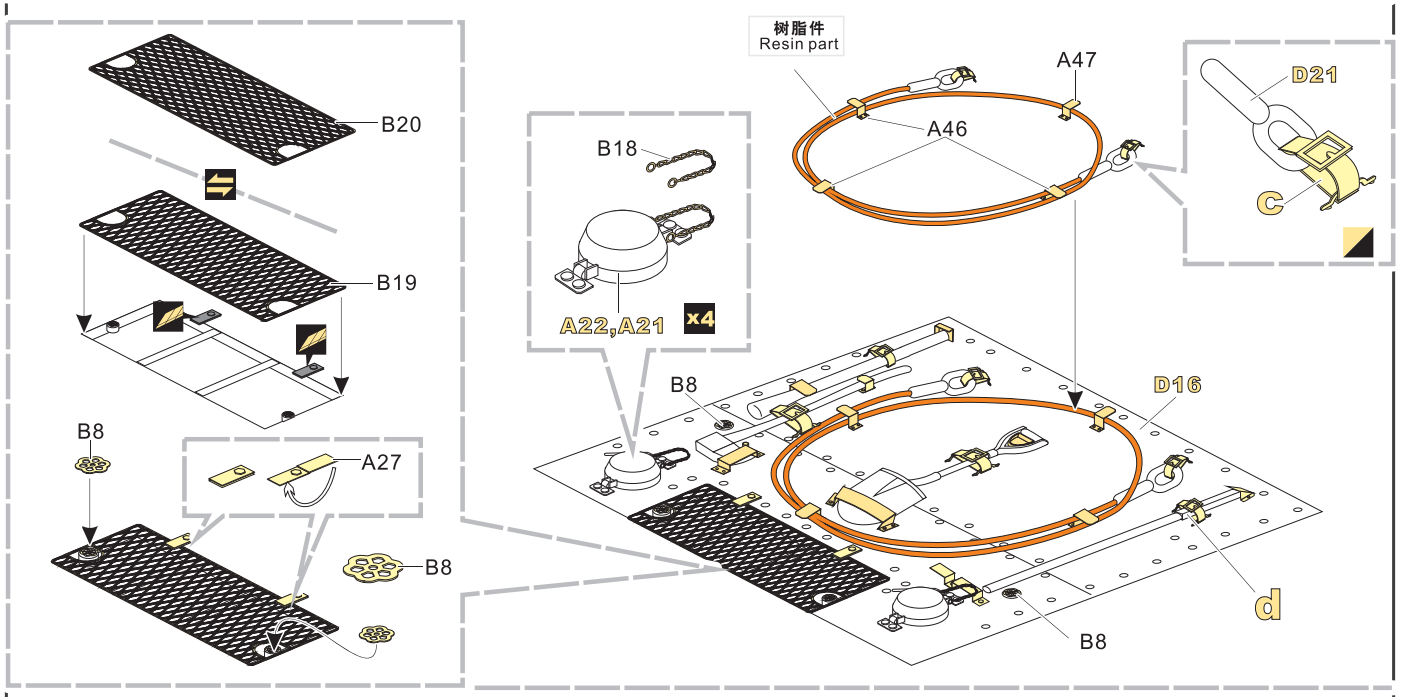
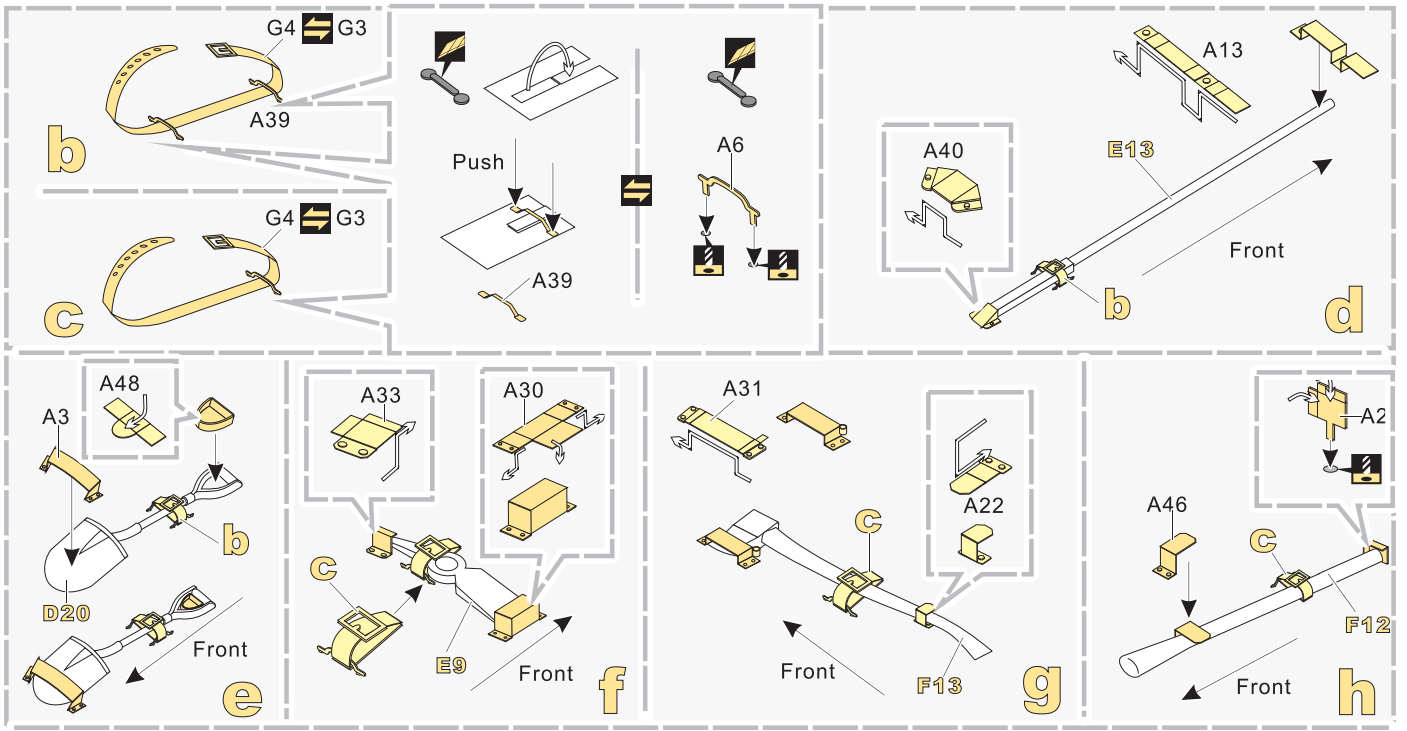
喷上车体色
Spray on hub colour

遮盖好轮毂后喷上橡胶黑
Mask the hub using tape disc, spray on tyre black

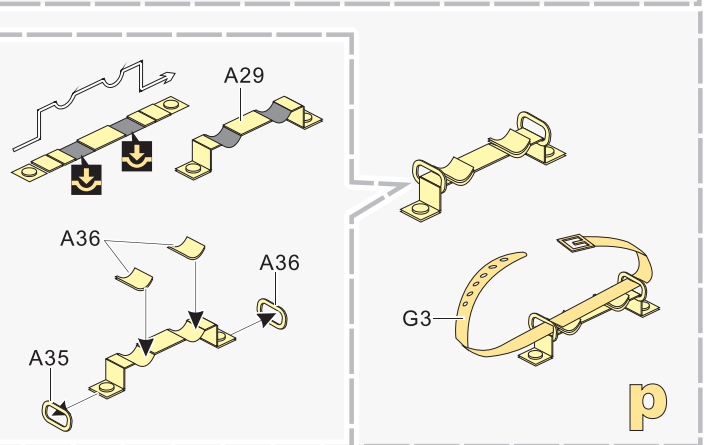
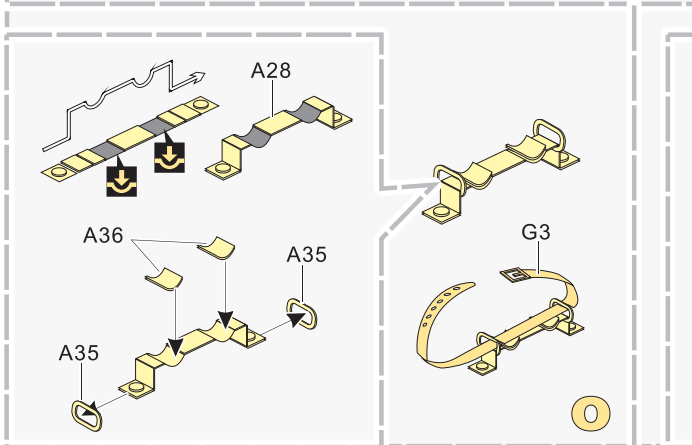
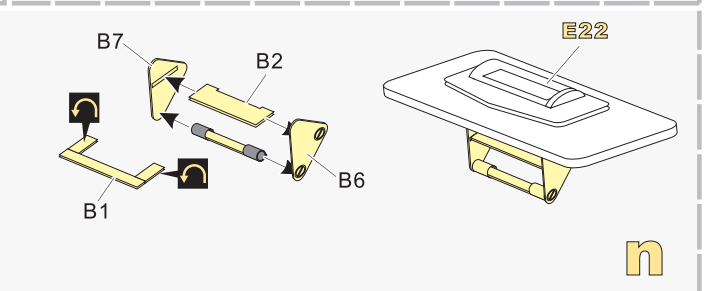
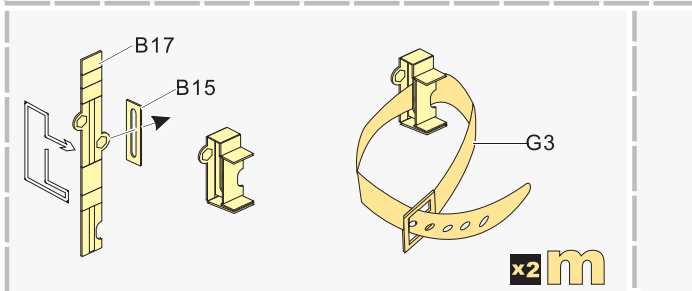
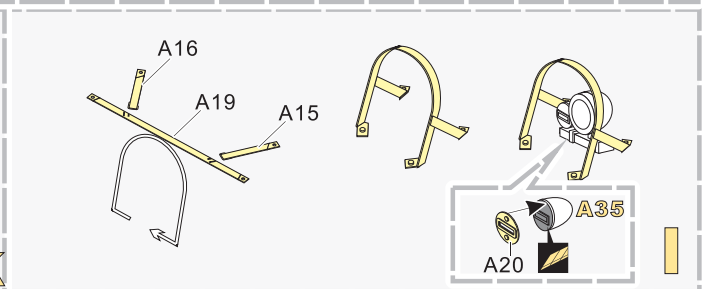
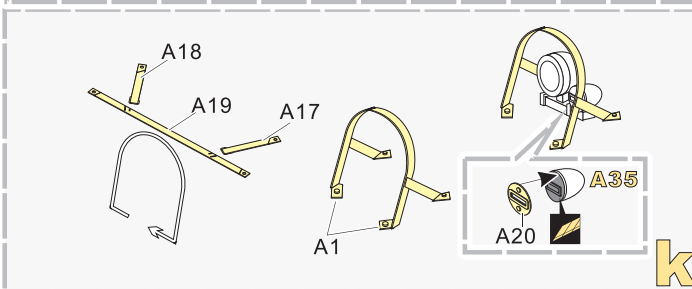
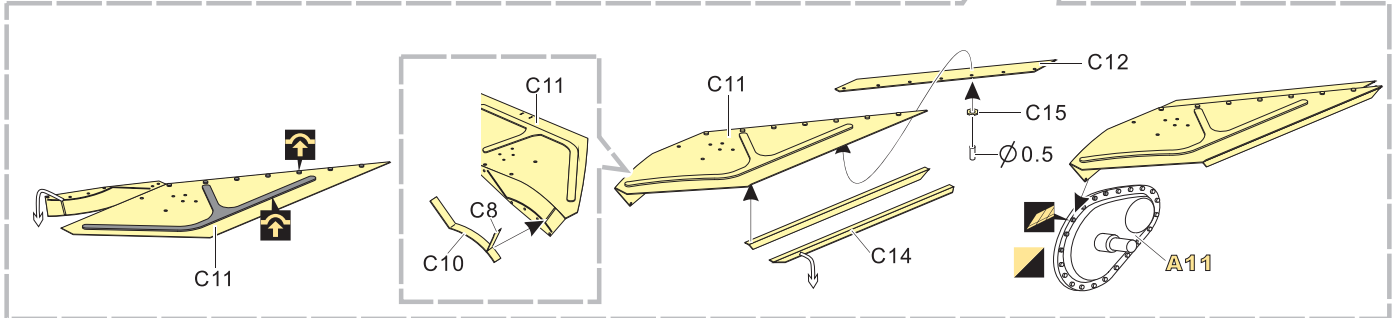
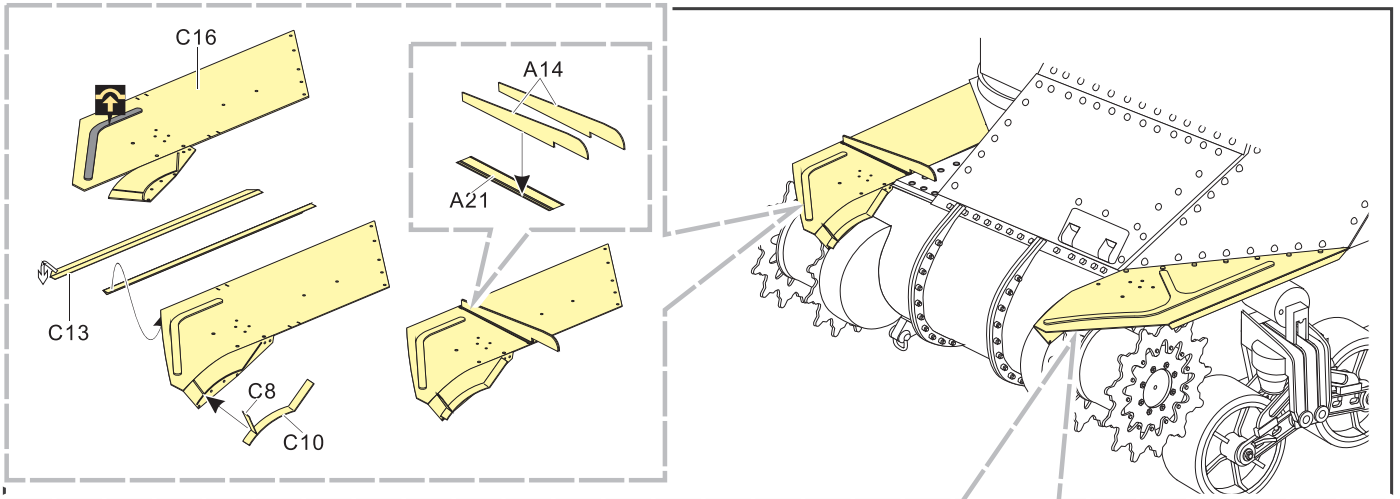
完成
Completed part

模板置于胶纸上，用刀切下
Use stencil template as guide to cut tape into disc

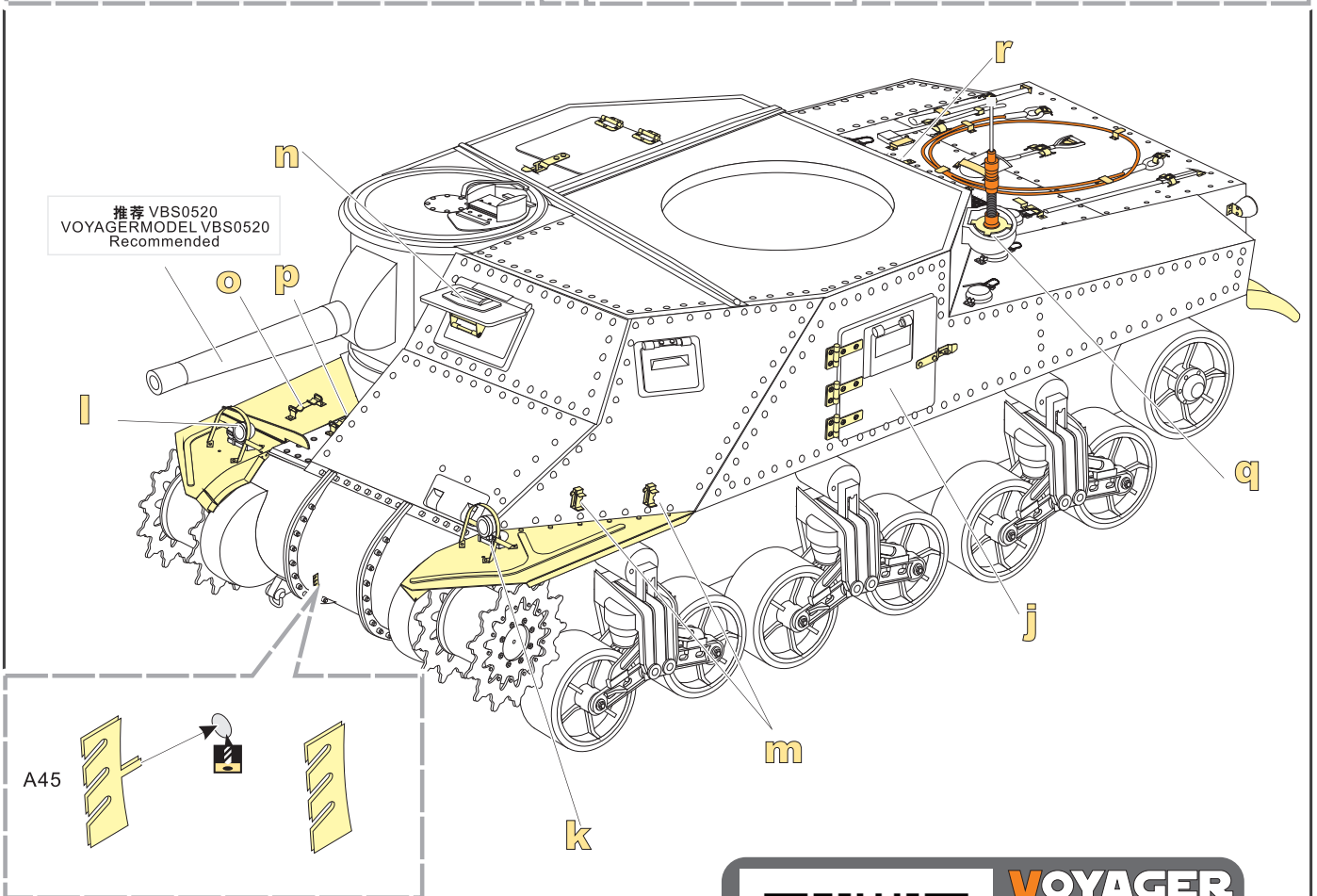
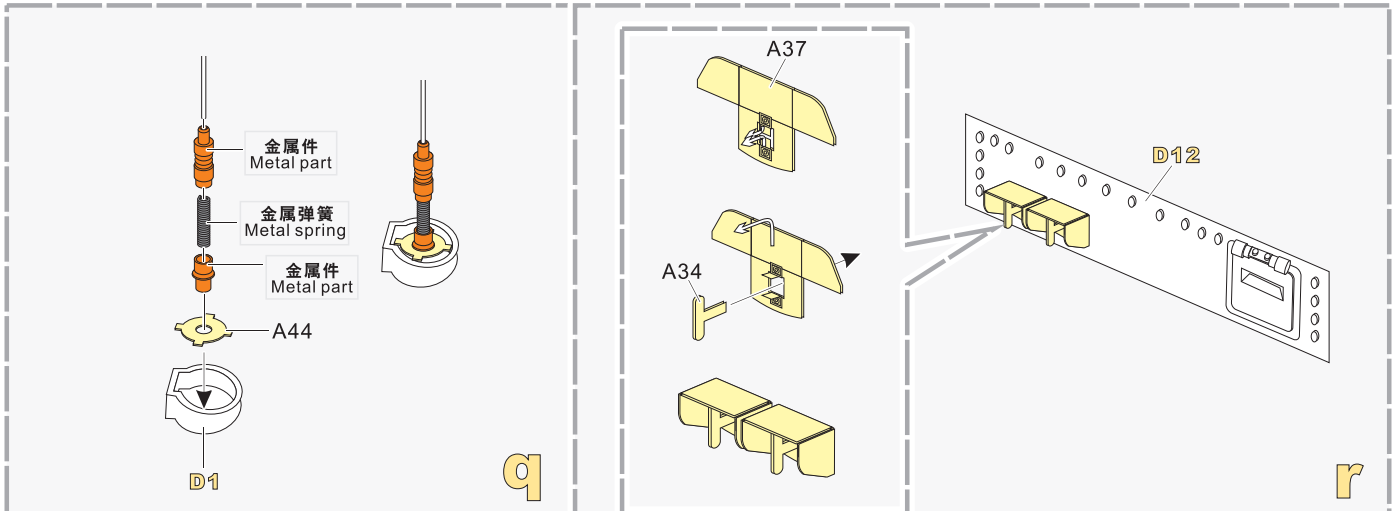
1/35 MILITARY MINIATURE VEHICLE UPGRADE SERIES PE35842



1/35 MILITARY MINIATURE VEHICLE UPGRADE SERIES PE35842



1/35 MILITARY MINIATURE VEHICLE UPGRADE SERIES PE35842

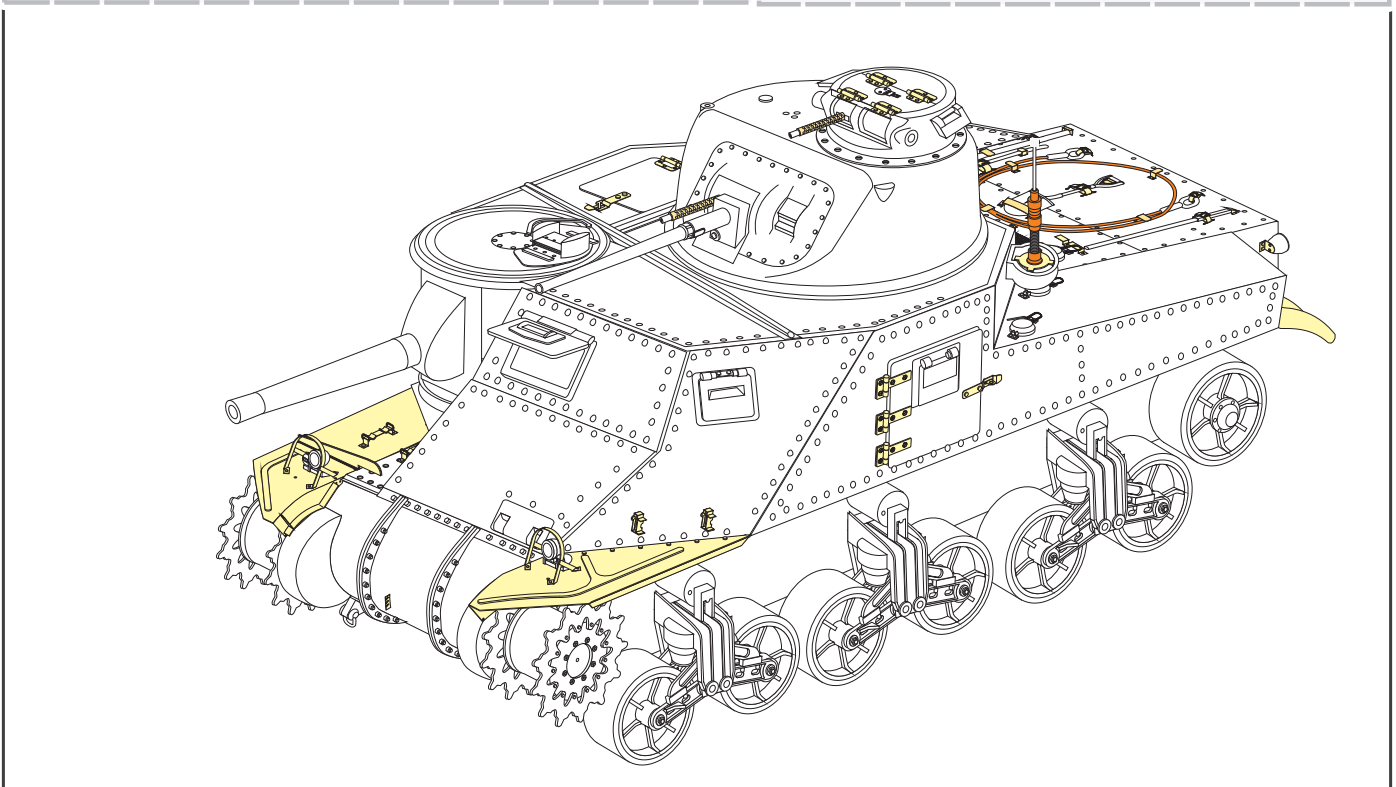
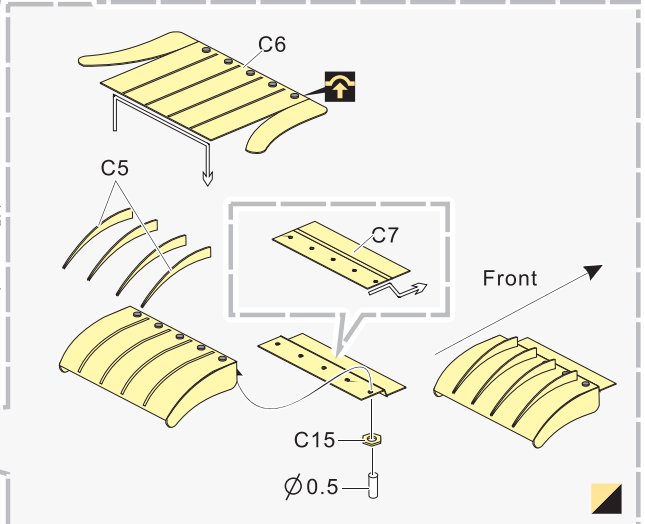
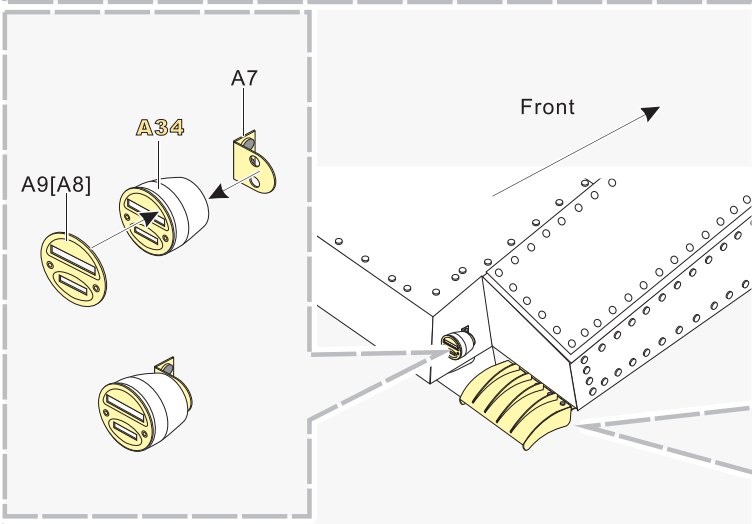
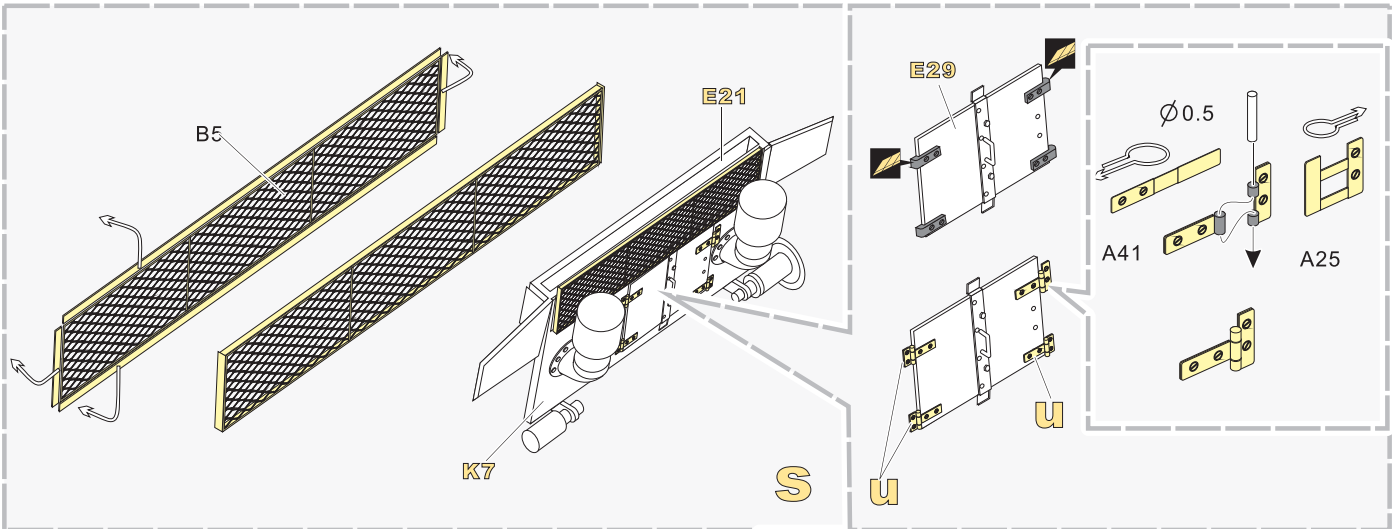


**VOYAGER
MODEL**

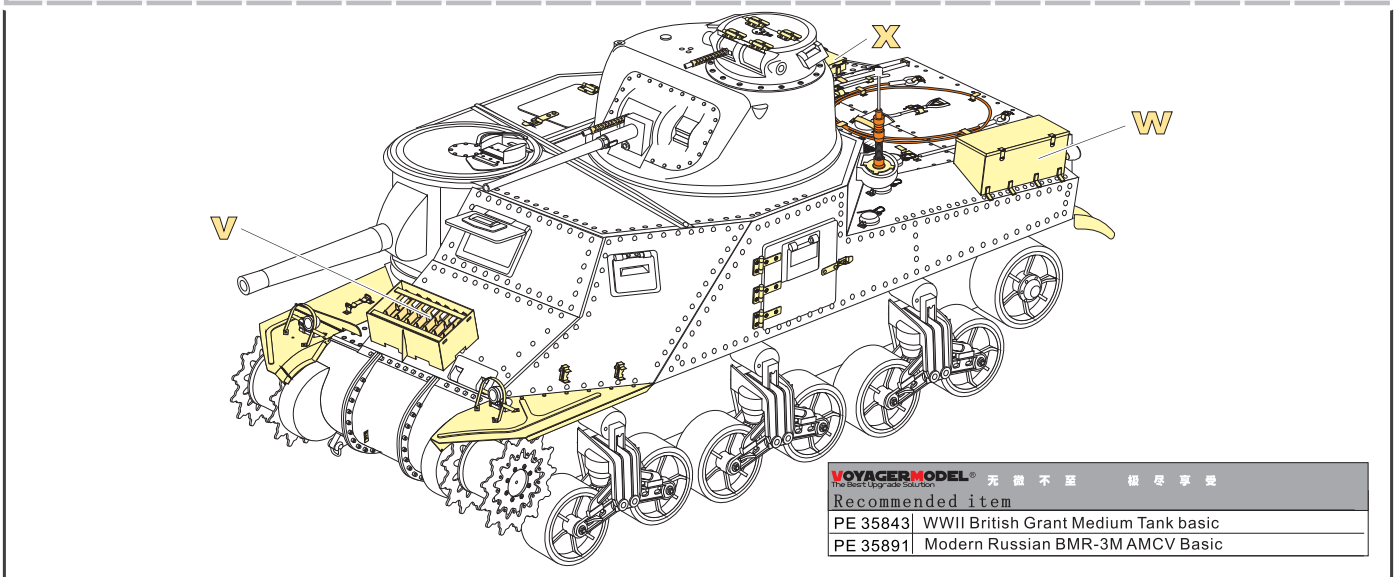
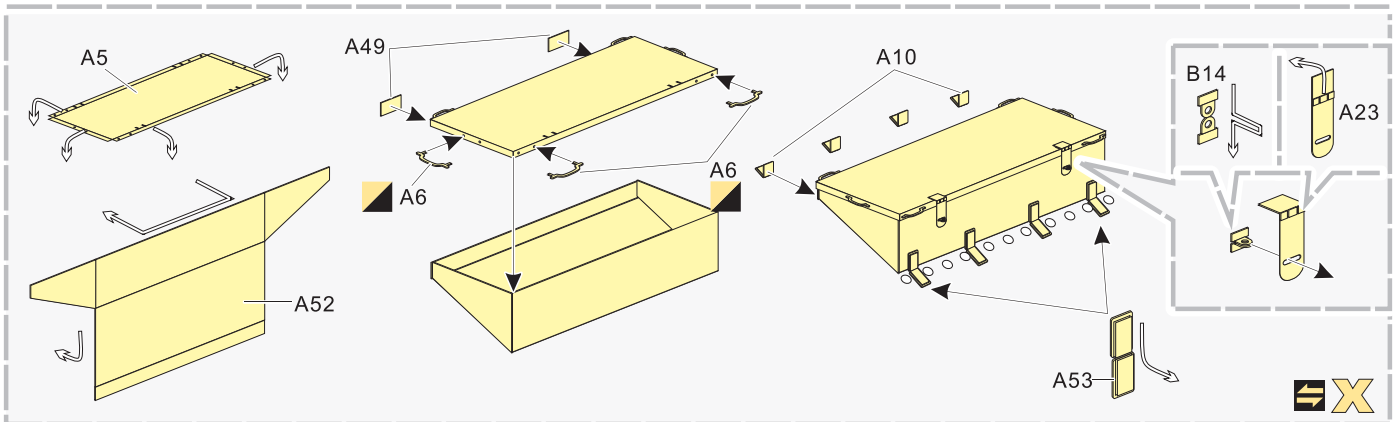
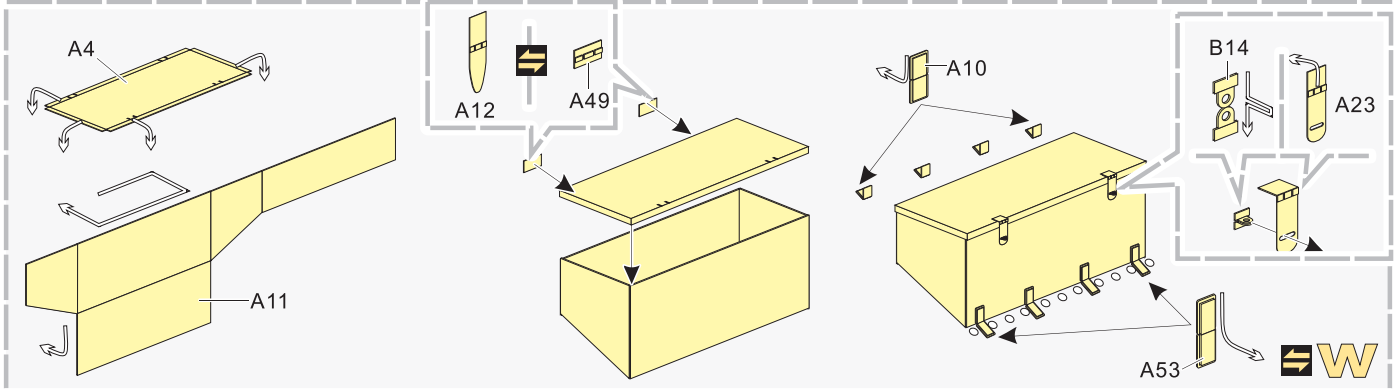
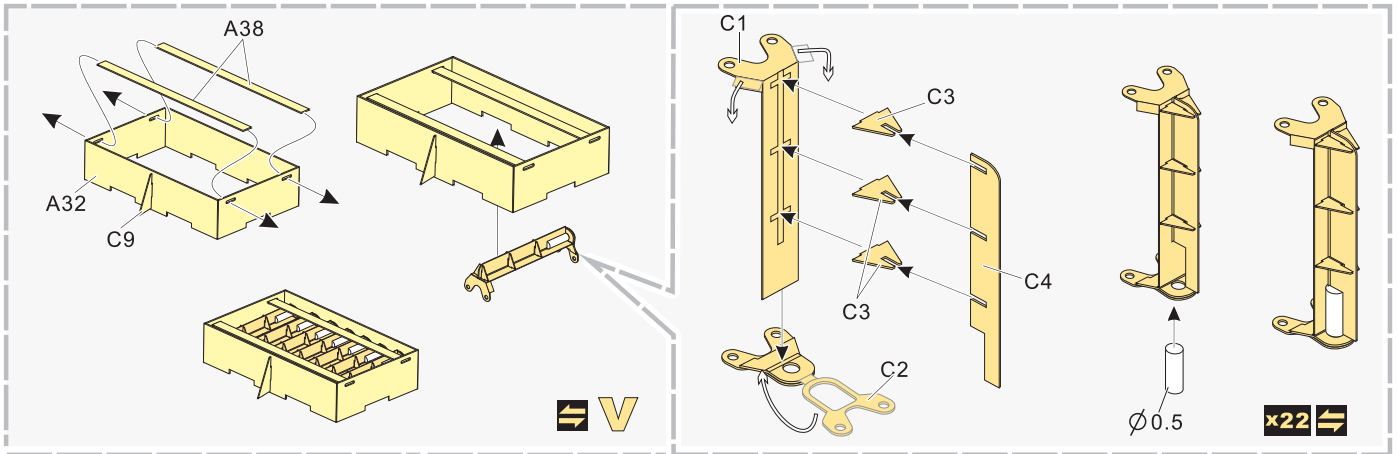


更多PE35842样品照片参考请扫一扫
MORE PICTUER OF PE 35842
REFERENCE SCAN HERE

1/35 MILITARY MINIATURE VEHICLE UPGRADE SERIES PE35842



1/35 MILITARY MINIATURE VEHICLE UPGRADE SERIES PE35842



VOYAGERMODEL® 无微不至 极尽享受
Recommended item
PE 35843 | WWII British Grant Medium Tank basic
PE 35891 | Modern Russian BMR-3M AMCV Basic