

Mikoyan-Gurevich MiG-3

1:32 Scale

米高扬-古列维奇 米格-3

READ BEFORE ASSEMBLY

- Study and understand this instructions thoroughly before beginning assembly.
- Remove all injection pins carefully using a modeling file.
- Cut off the photo-etched parts carefully using a modeling knife. Be sure not to lose small parts.
- Apply instant cement to photo etched parts and shafts. Apply too much instant cement will cause movable parts to stick. Apply cement carefully.
- Extra care should be taken to avoid personal injury when handling the photo etched parts.
- Some parts should depend on decals. Select prior to assembly.
- Tools recommended: (Not included in this kit) Cement; Side cutters; Long nose pliers; Modeling knife; Modeling life; Tweezers; Pin vise; Scissors; Instant cement.
- Soft cloth and sand paper will also assist in construction.
- Glue and paints are not included in the kit. Use plastic cement or paints only.
- Keep out of reach of small children. Children must not be allowed to suck any part, or pull vinyl bag over the head.

装配之前仔细阅读

- 小心用模型锉刀锉平所有零件表面的注射浇口。
- 小心用刀片切下蚀刻片零件，不要遗失小零件。
- 用强力快干胶水粘合蚀刻片零件和金属轴。过量的快干胶水使用可能导致可动零件会粘住，小心涂胶。
- 取蚀刻片时应特别注意安全，防止利边划伤手指。
- 某些零件表面需贴上水贴纸，请选择在装配的同时进行。
- 推荐模型工具(自备)：胶水，水口剪刀，长咀钳，刀片，锉刀，镊子钳，钻，剪刀，瞬间快干胶。
- 软布同砂纸同时也应该是必备工具。
- 请使用塑料胶水和油漆，模型内不含。
- 谨防小孩吸吮塑料零件，或者将塑料袋套在头上，制作时应将套材远离小孩接触。

水贴纸的使用:

1. 从水贴上剪下印花;
2. 将印花放入温水中浸10秒，然后放在干净布上。
3. 拿着印花纸板将印花移到模型上;
4. 手指蘸水将印花移到适当的位置;
5. 用软布轻压印花直至水干，汽泡消失。

DECAL APPLICATION

1. Cut off decal from sheet.
2. Dip the decal in tepid water 40° C for about 10 sec. and place on a clean cloth.
3. Hold the backing sheet edge and slide decal onto the model.
4. Move decal into position by wetting decal with finger.
5. Press decal gently down with a soft cloth until excess water and air bubbles are gone.



cyanoacrylate glue
使用强力胶



weight
配重



make hole
钻孔



cut / remove
切除



option
选择



no cement
不涂胶水



decal
贴纸



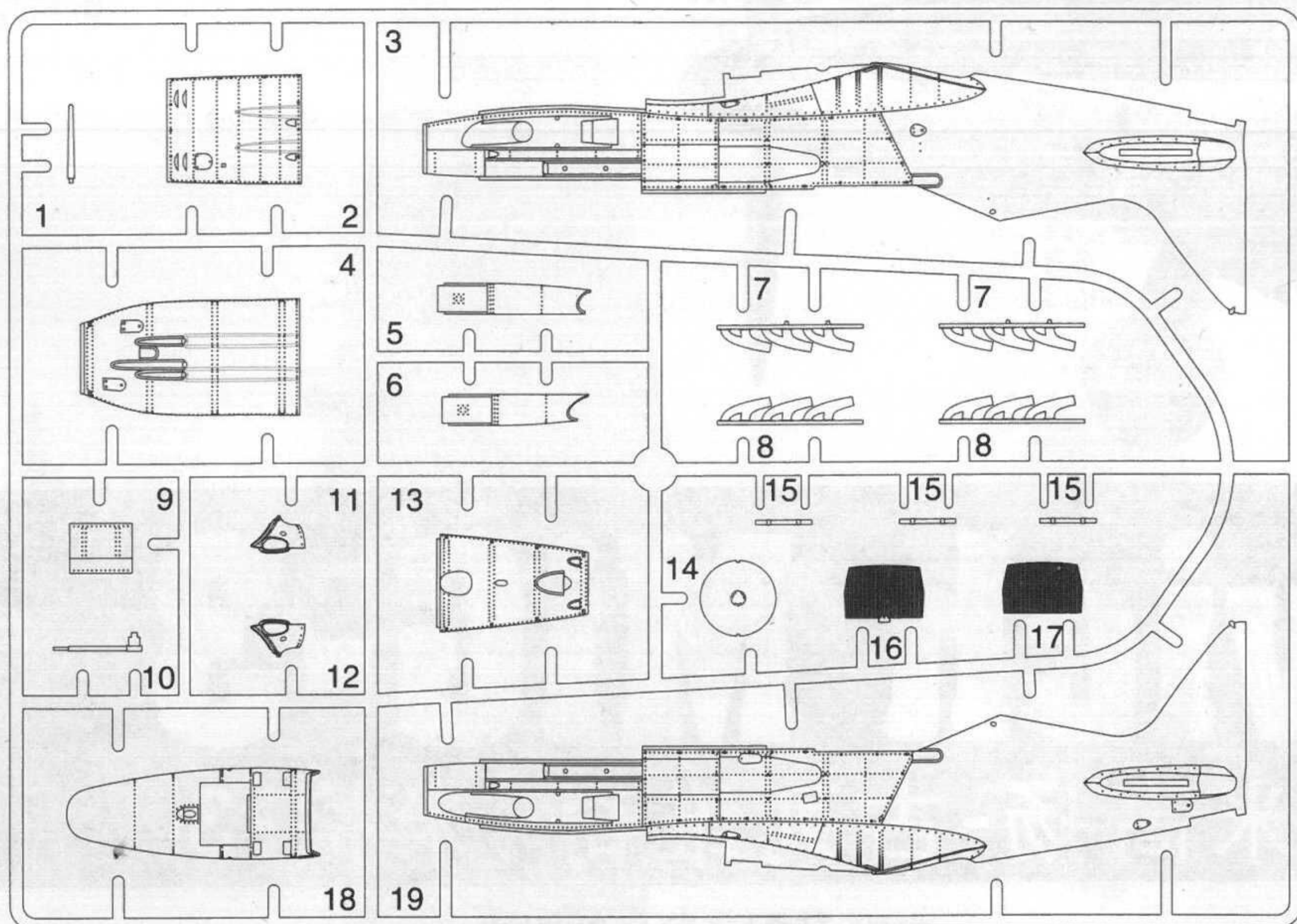
bend
弯曲



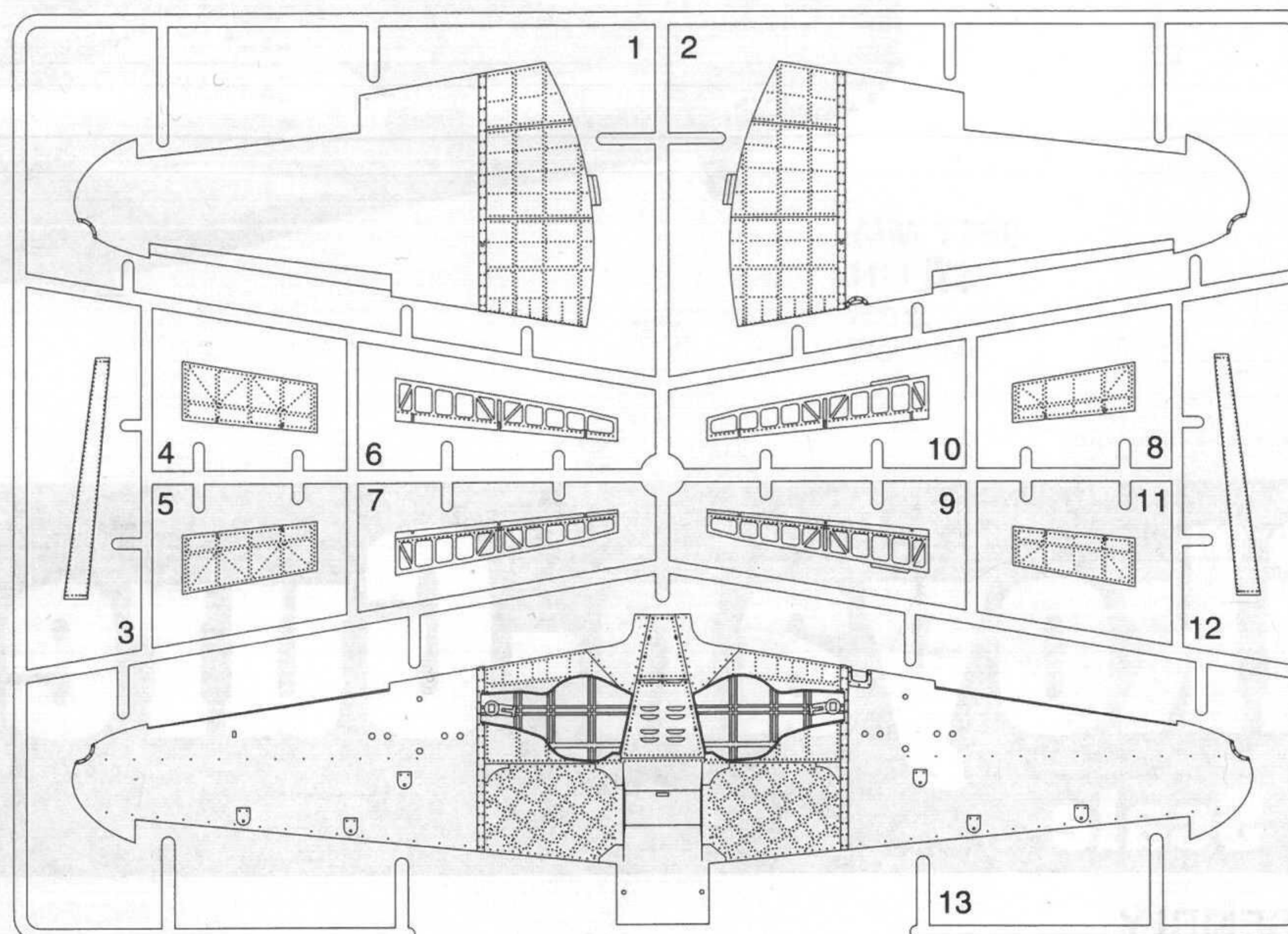
file / sand
锉平

部品图 Parts

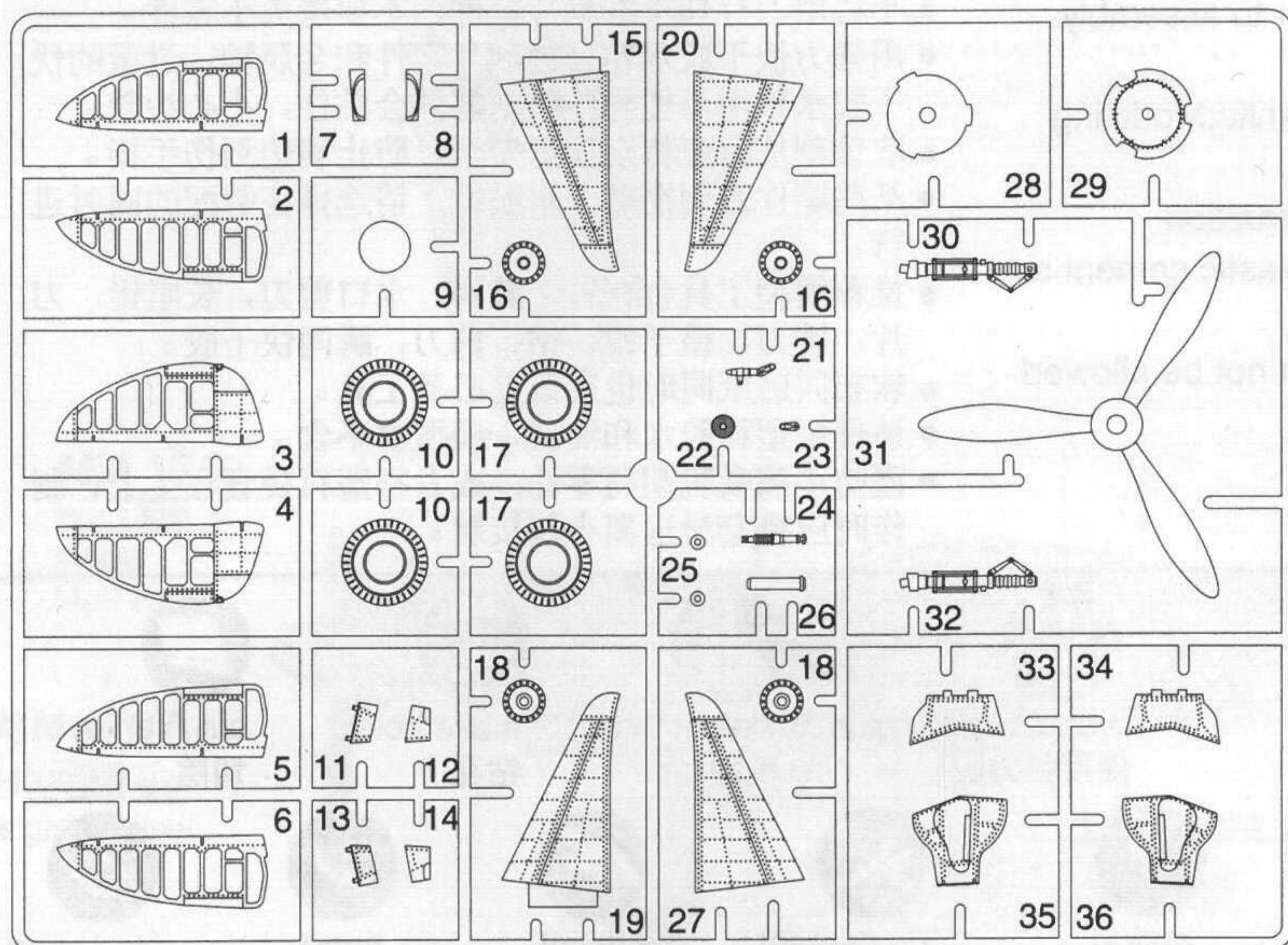
A



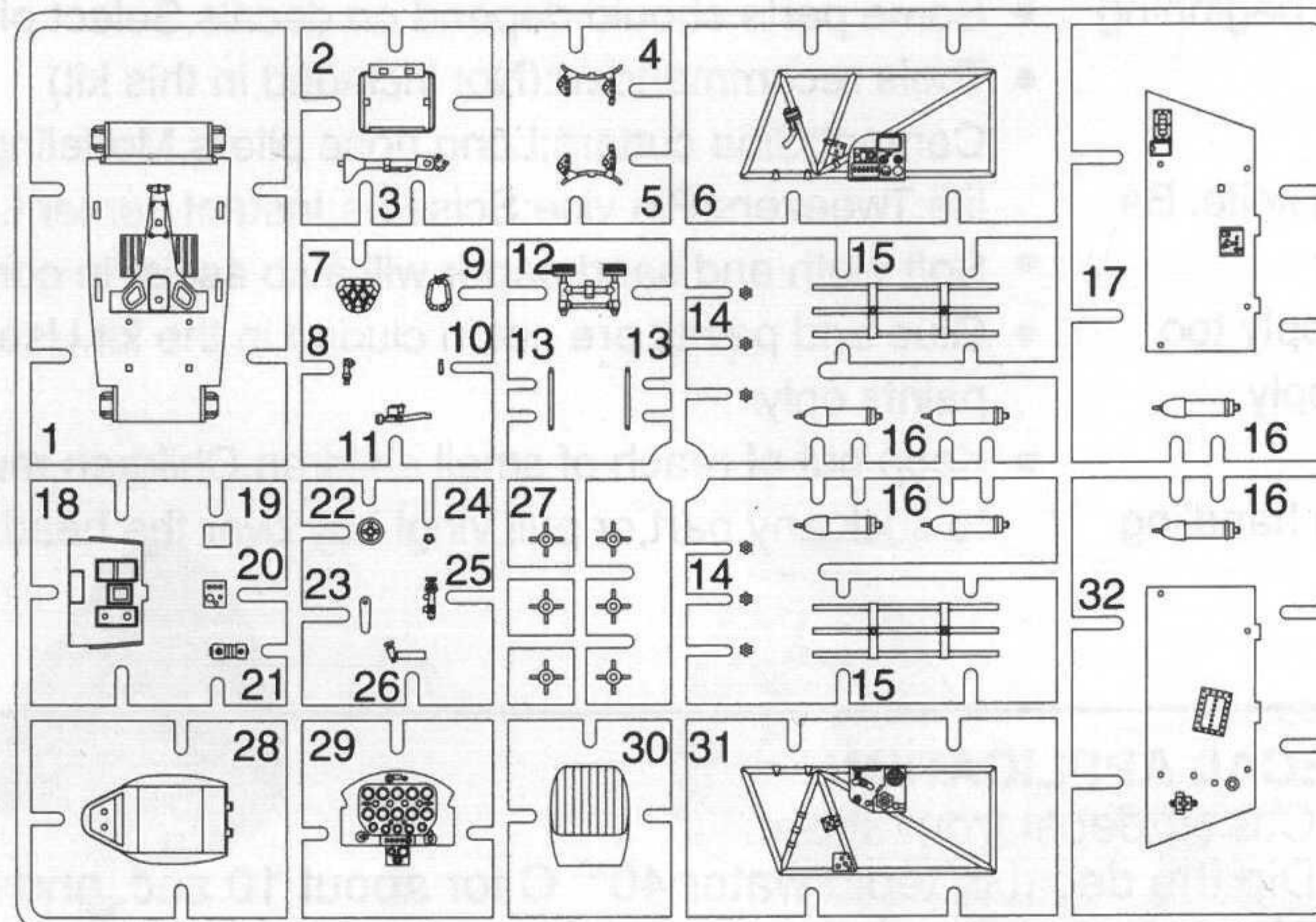
B



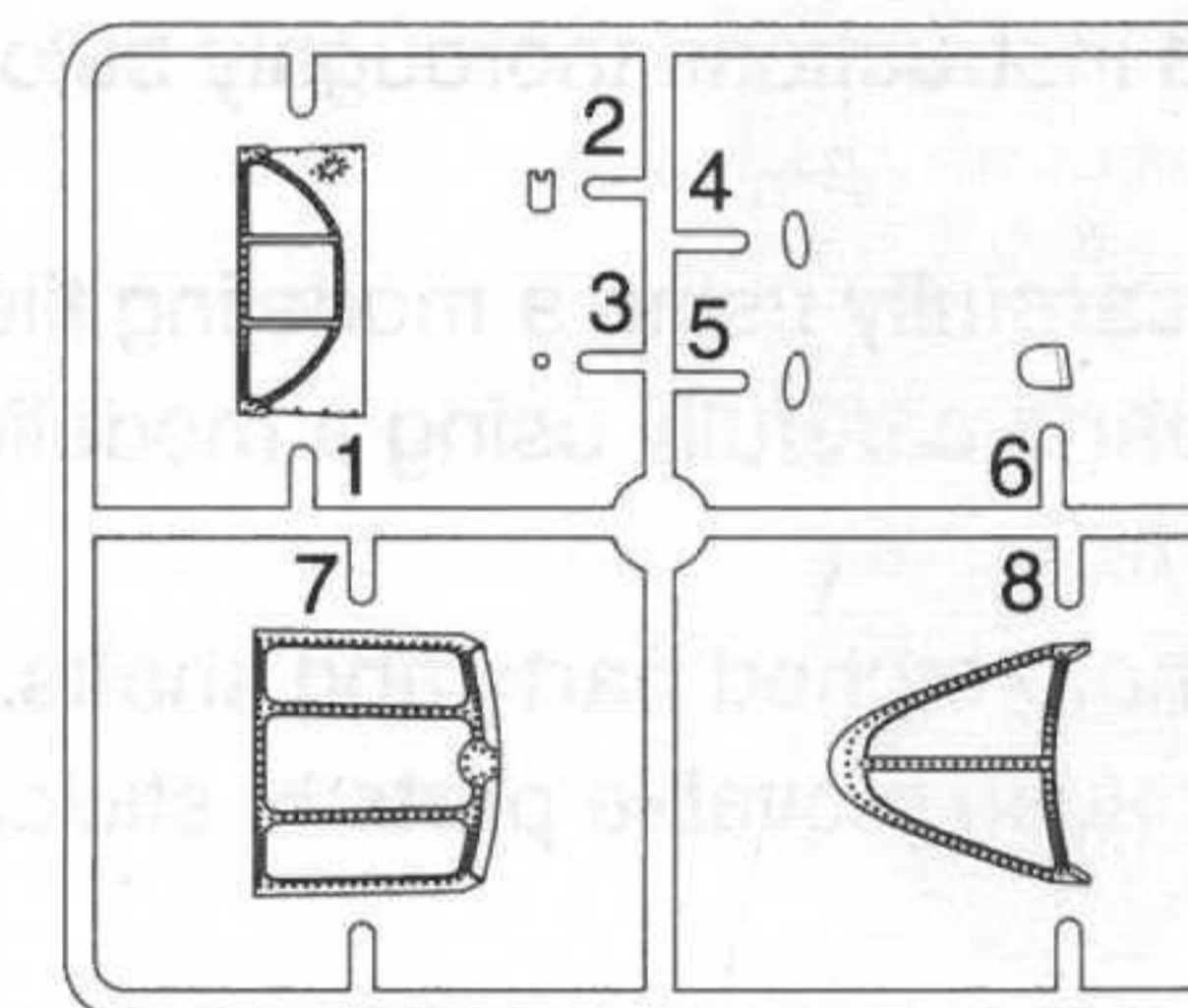
C



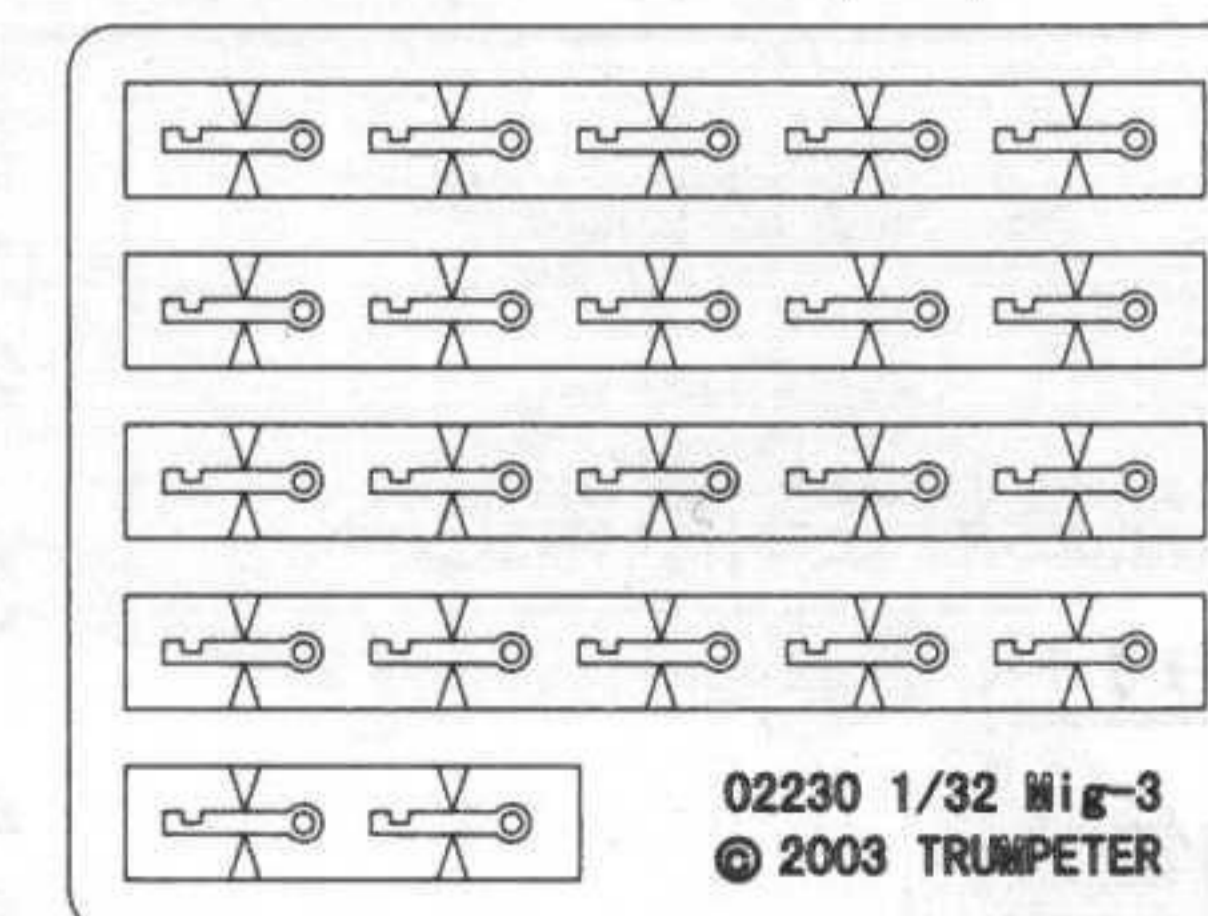
D



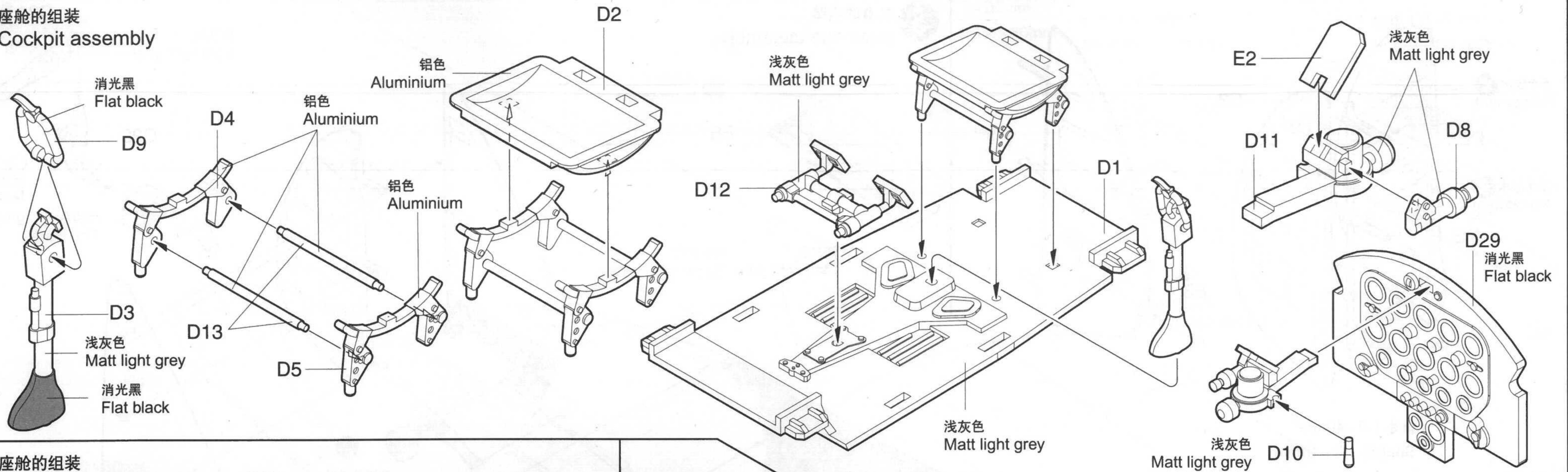
E



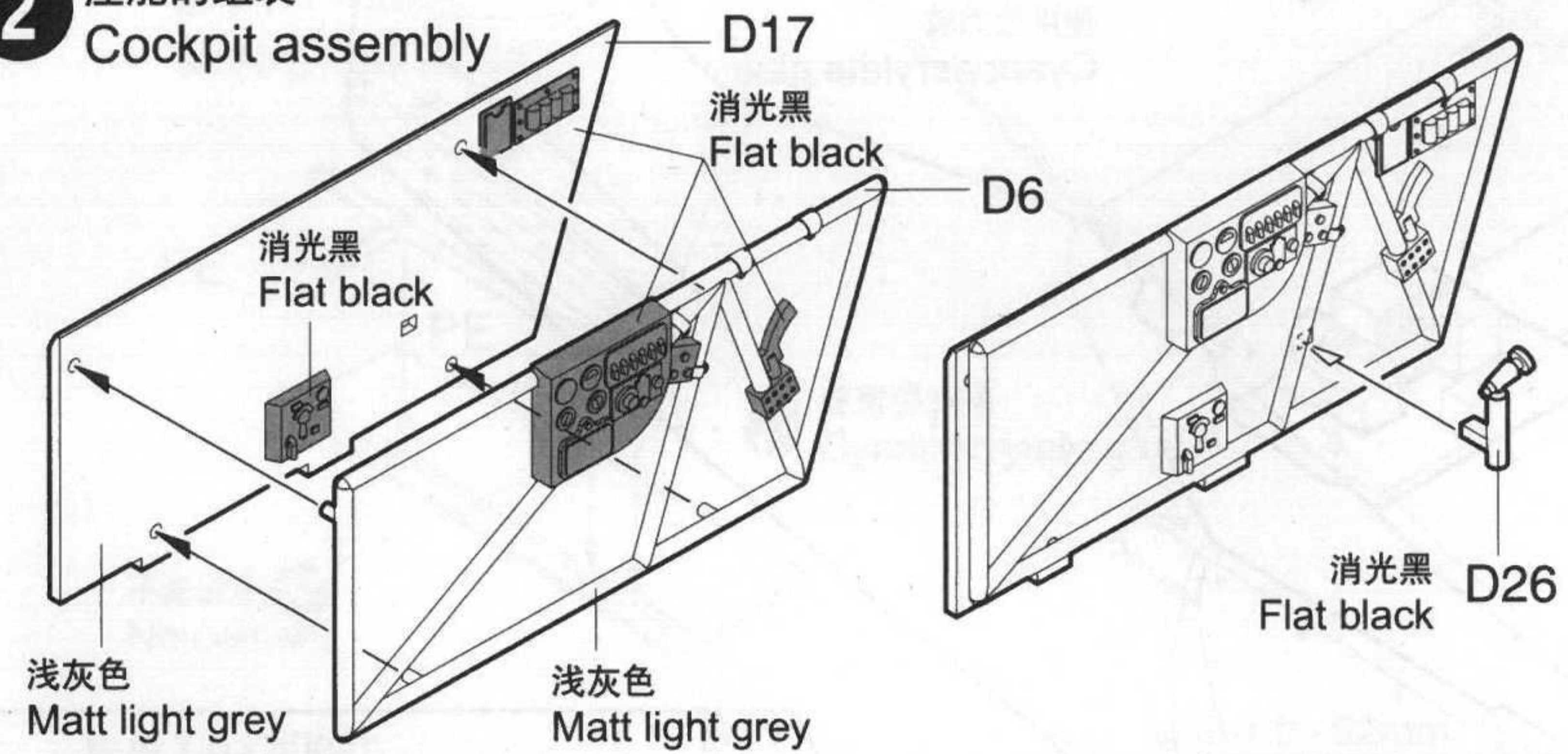
蚀刻片
Photo etched part(PE)



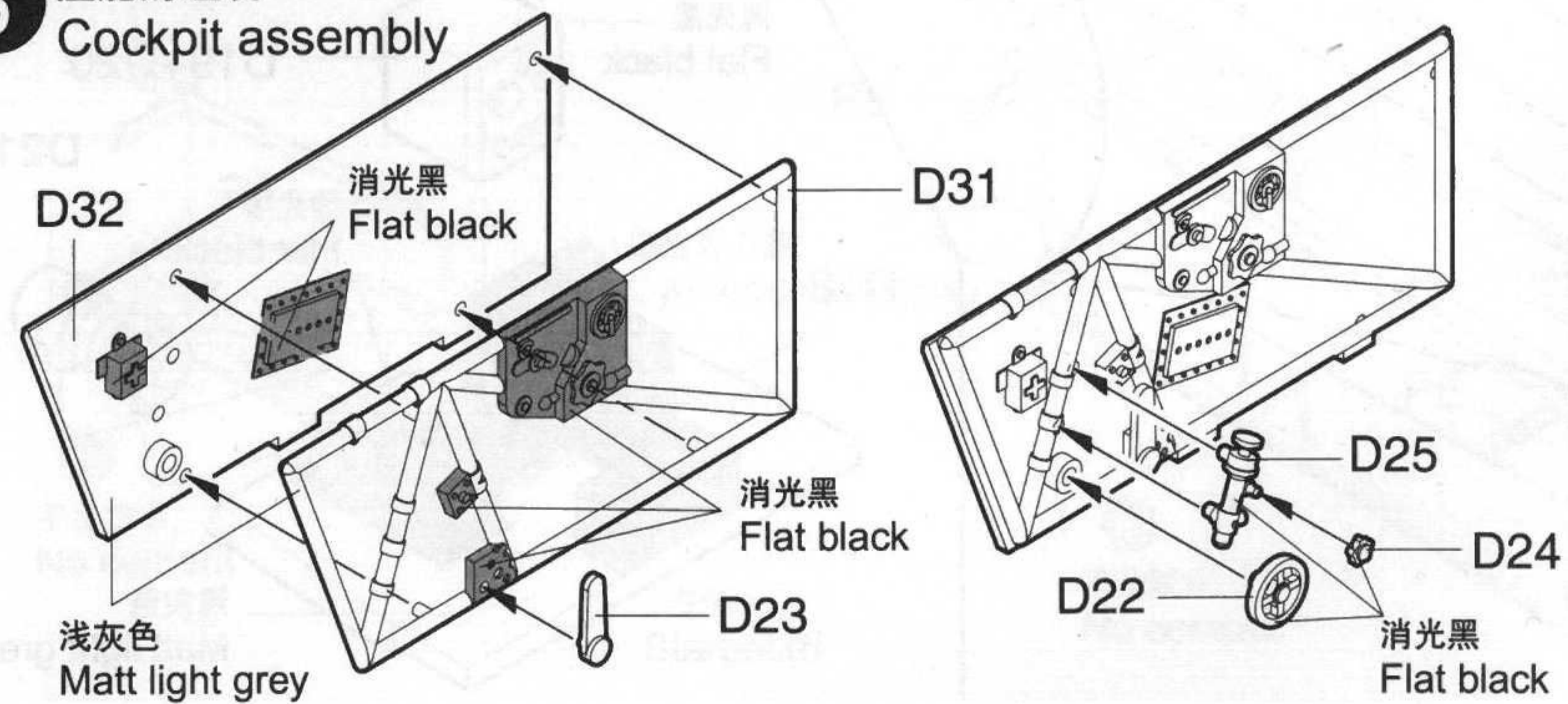
1 座舱的组装
Cockpit assembly



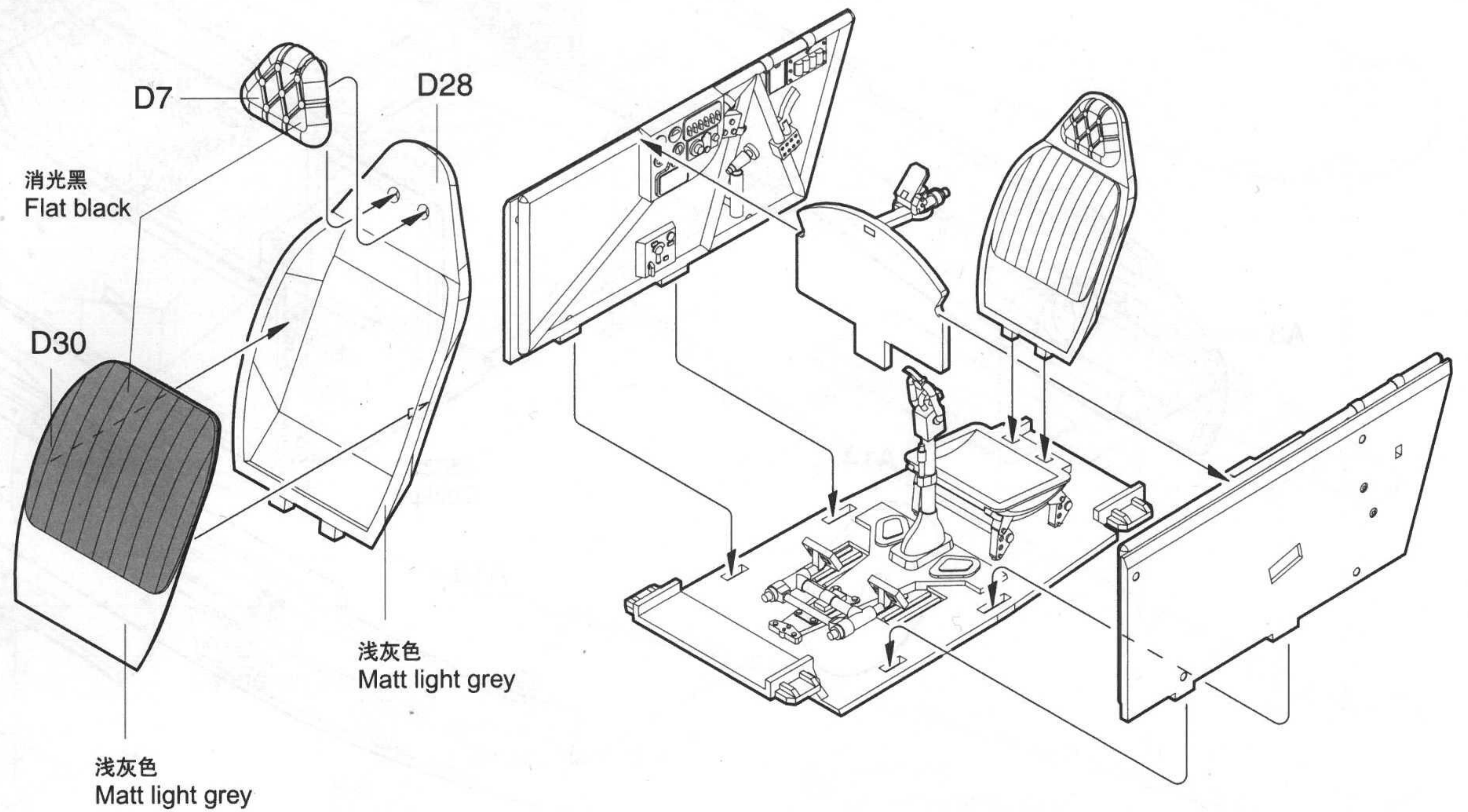
2 座舱的组装
Cockpit assembly



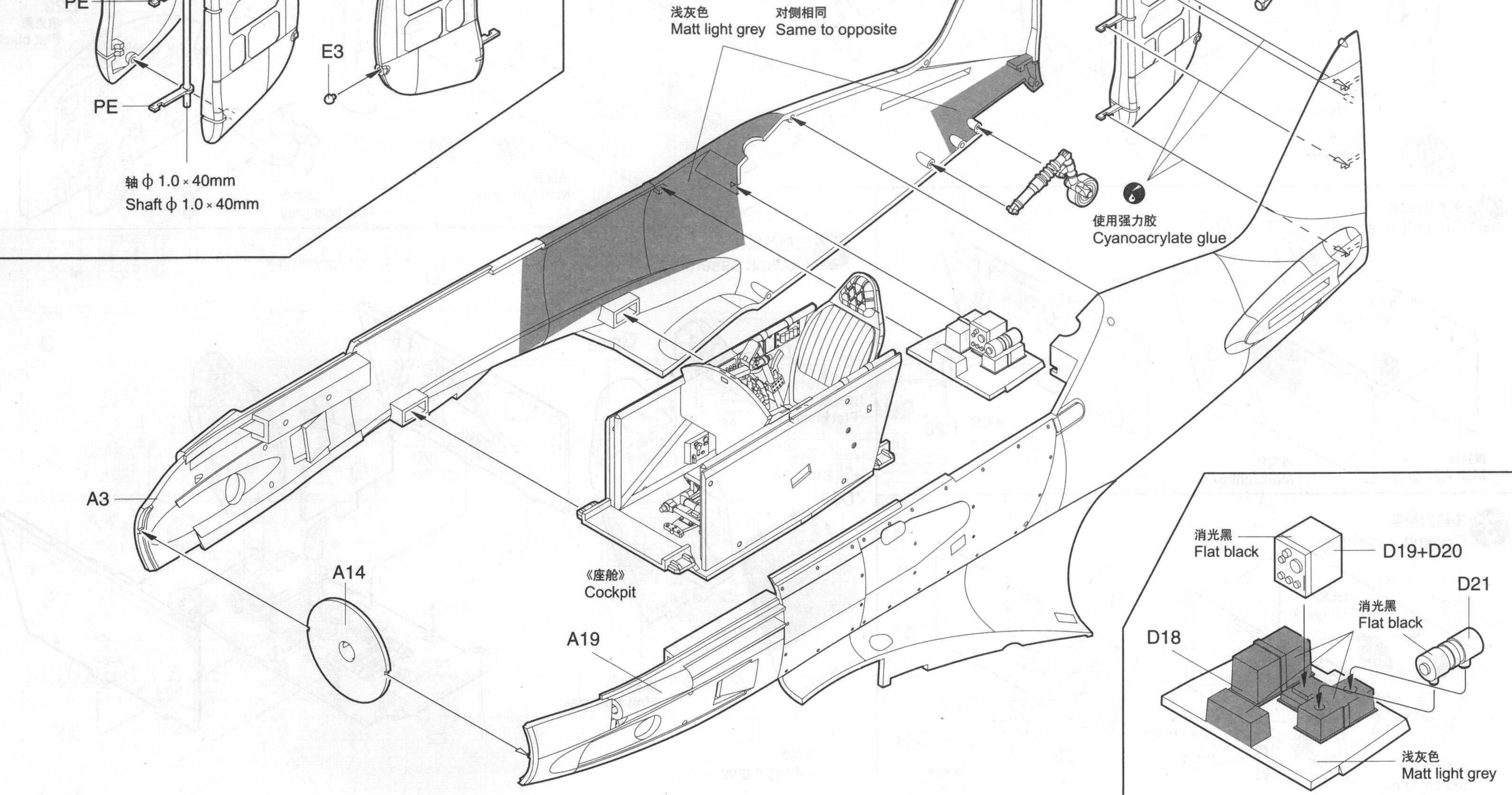
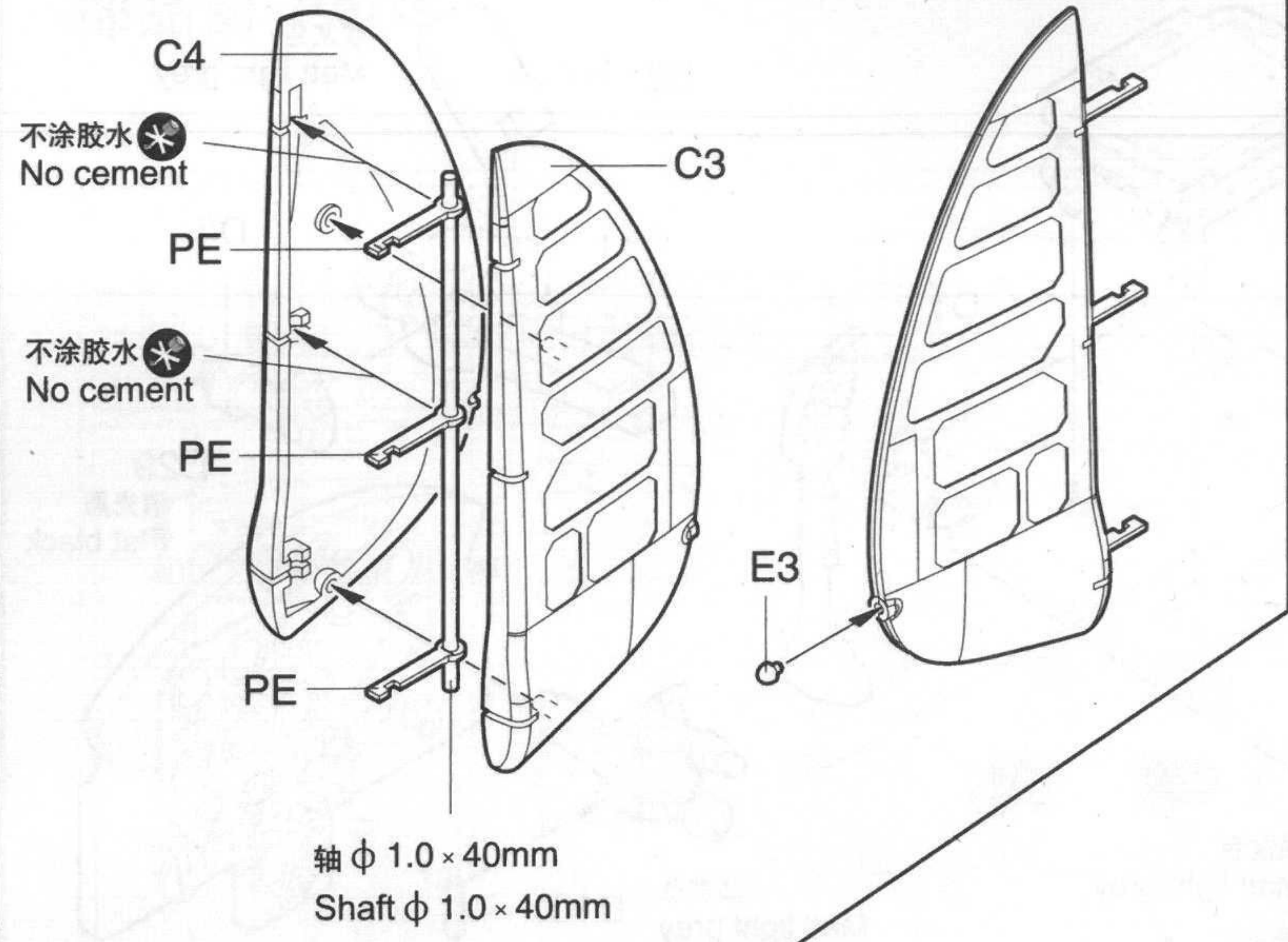
3 座舱的组装
Cockpit assembly



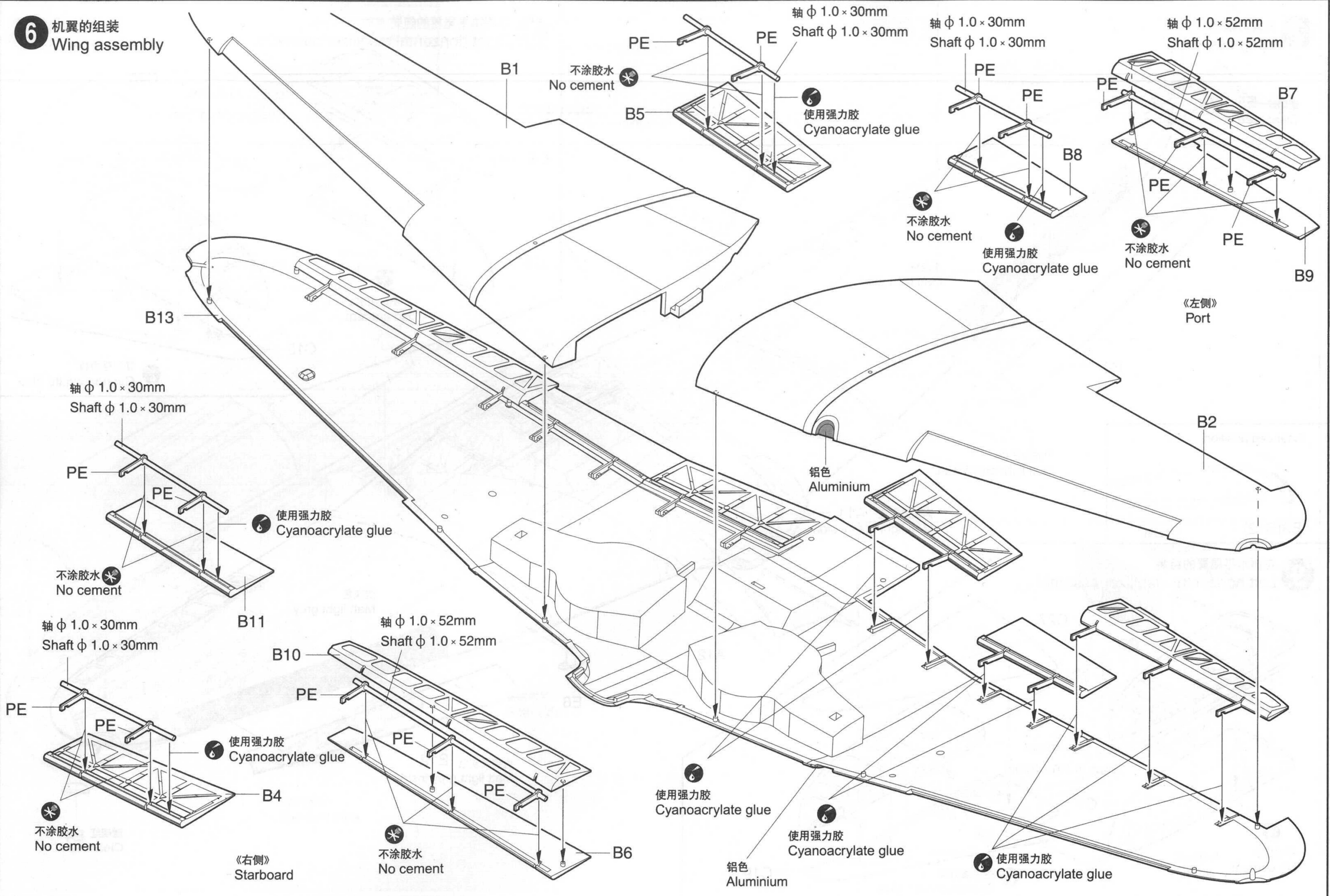
4 座舱的组装
Cockpit assembly



5 机身的组装
Fuselage assembly



6 机翼的组装
Wing assembly



7 机翼的组装
Wing assembly

透明绿 E5
Clear green

浅灰色
Matt light grey

B3

内侧浅灰色
Matt light grey inside

内侧浅灰色 A11
Matt light grey inside

Extended position

B3(B12)

9 左侧水平尾翼的组装
Left horizontal stabilizer assembly

C2

C27

轴 $\phi 1.0 \times 40\text{mm}$
Shaft $\phi 1.0 \times 40\text{mm}$

C1

不涂胶水
No cement

使用强力胶
Cyanoacrylate glue

C19

A12

浅灰色
Matt light grey

内侧浅灰色 B12
Matt light grey inside

透明红 E4
Clear red

8 右侧水平尾翼的组装
Right horizontal stabilizer assembly

轴 $\phi 1.0 \times 40\text{mm}$
Shaft $\phi 1.0 \times 40\text{mm}$

C5

C6

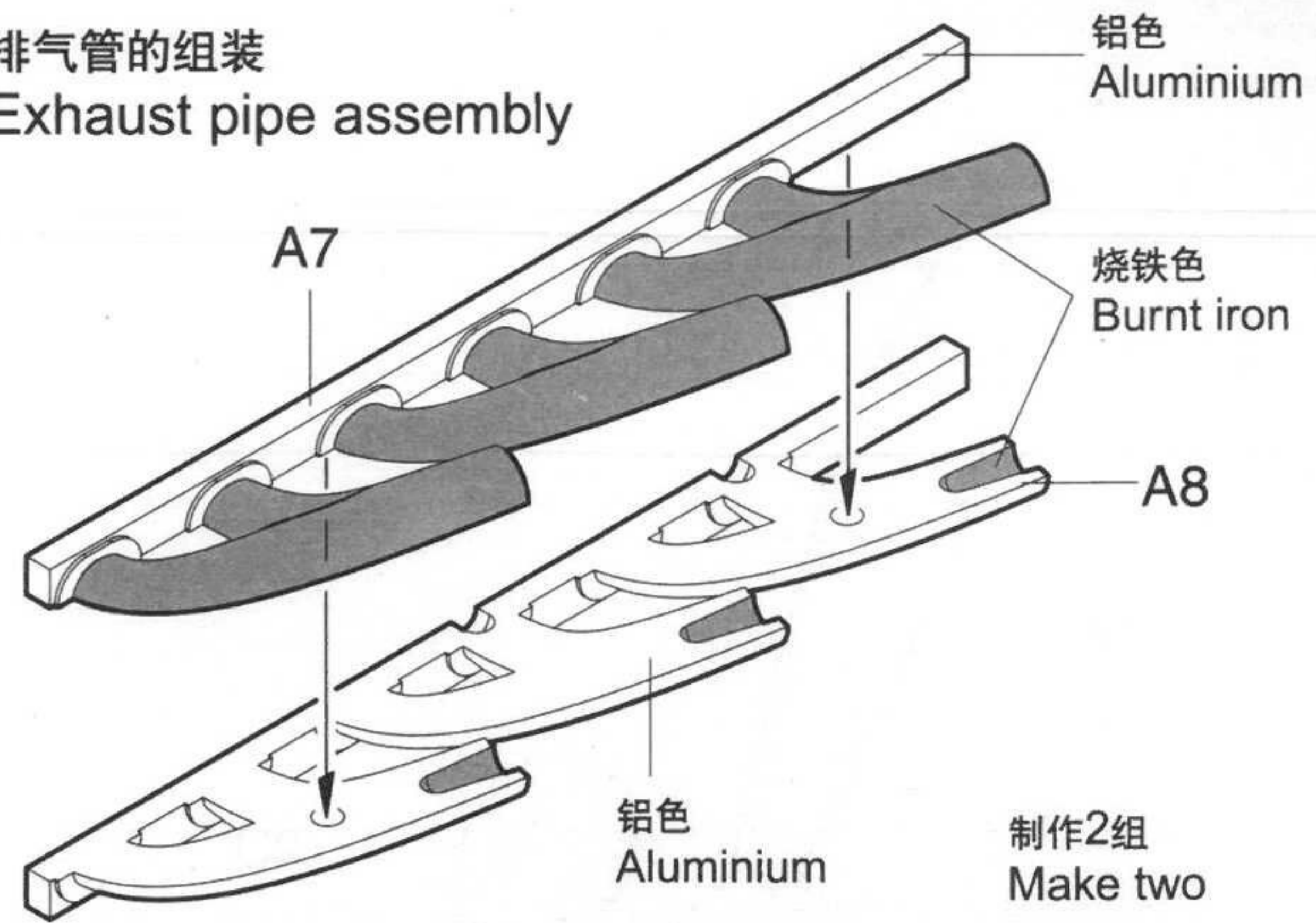
不涂胶水
No cement

C15

使用强力胶
Cyanoacrylate glue

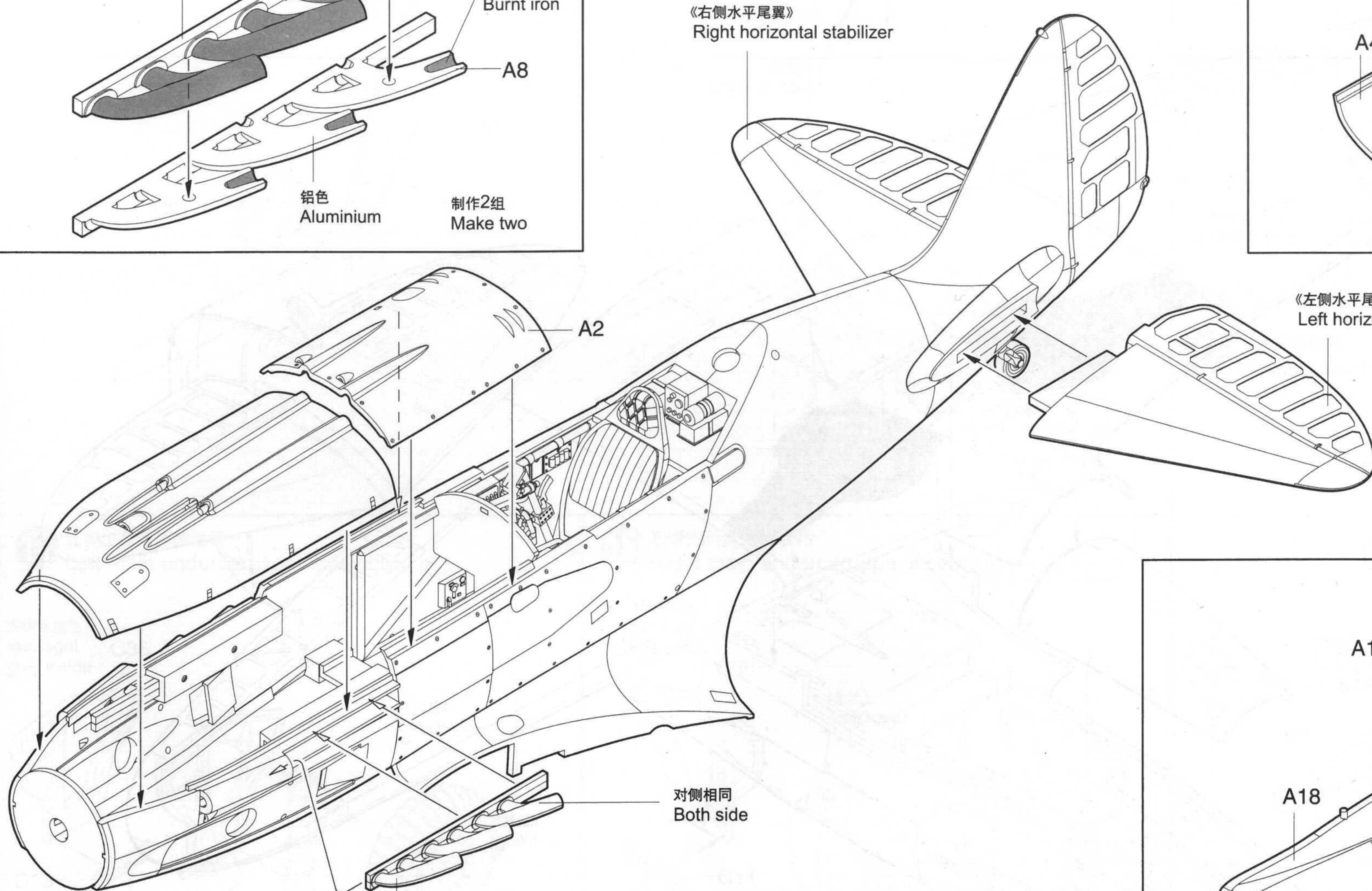
C20

10 排气管的组装
Exhaust pipe assembly



11 排气管的安装
Exhaust pipe installation

《右侧水平尾翼》
Right horizontal stabilizer

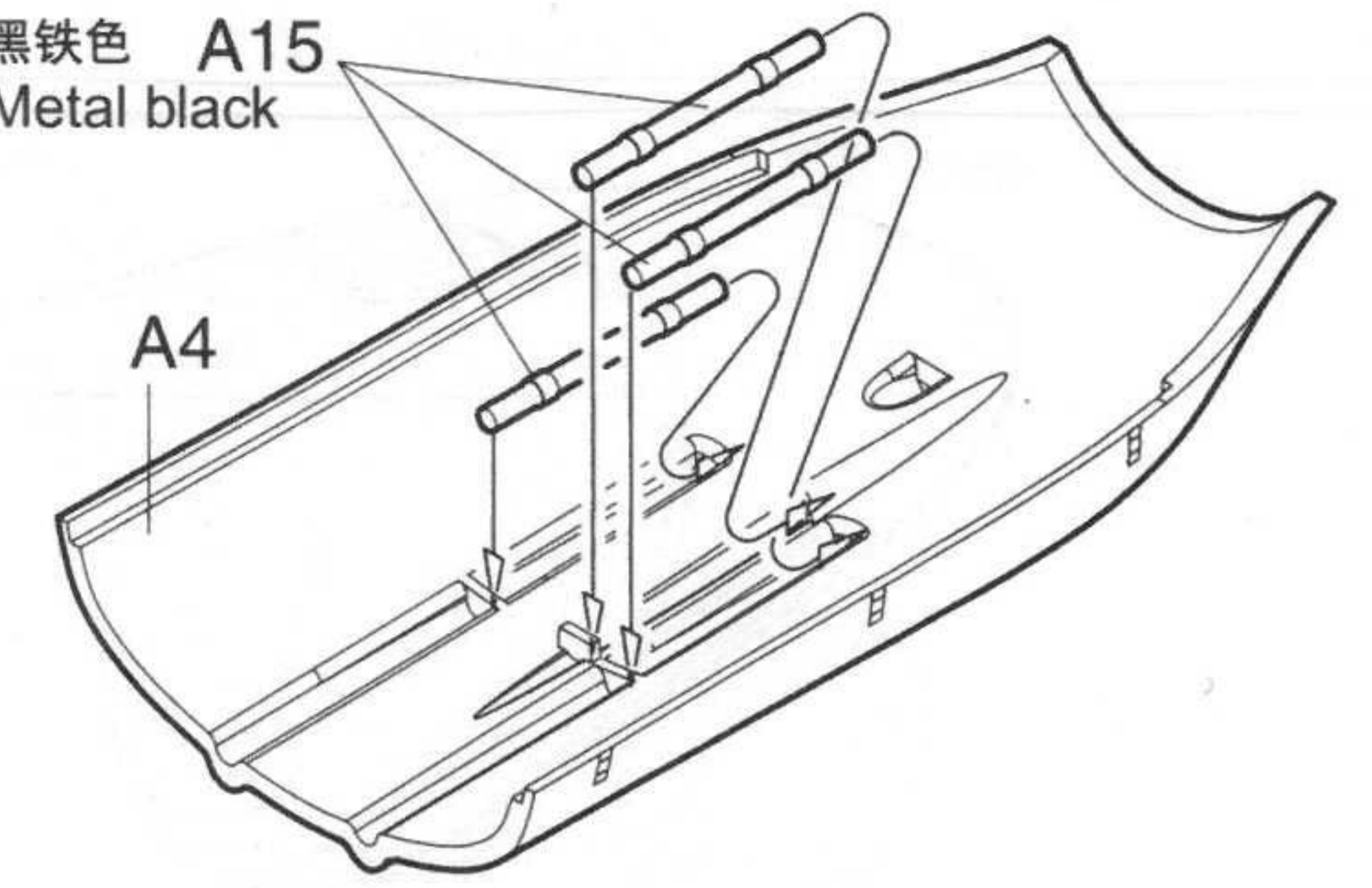


对侧相同
Both side

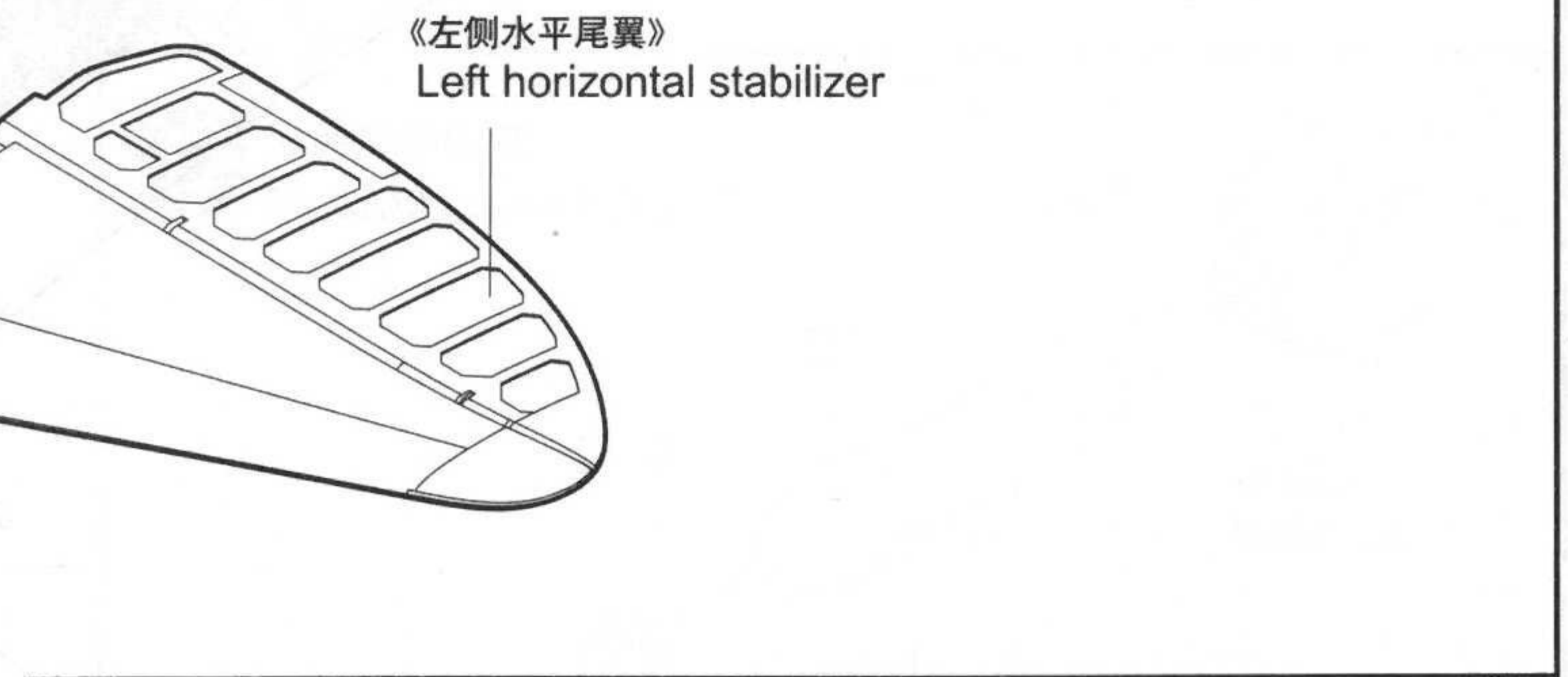
《排气管》
Exhaust pipe

黑铁色 A15
Metal black

A4



《左侧水平尾翼》
Left horizontal stabilizer



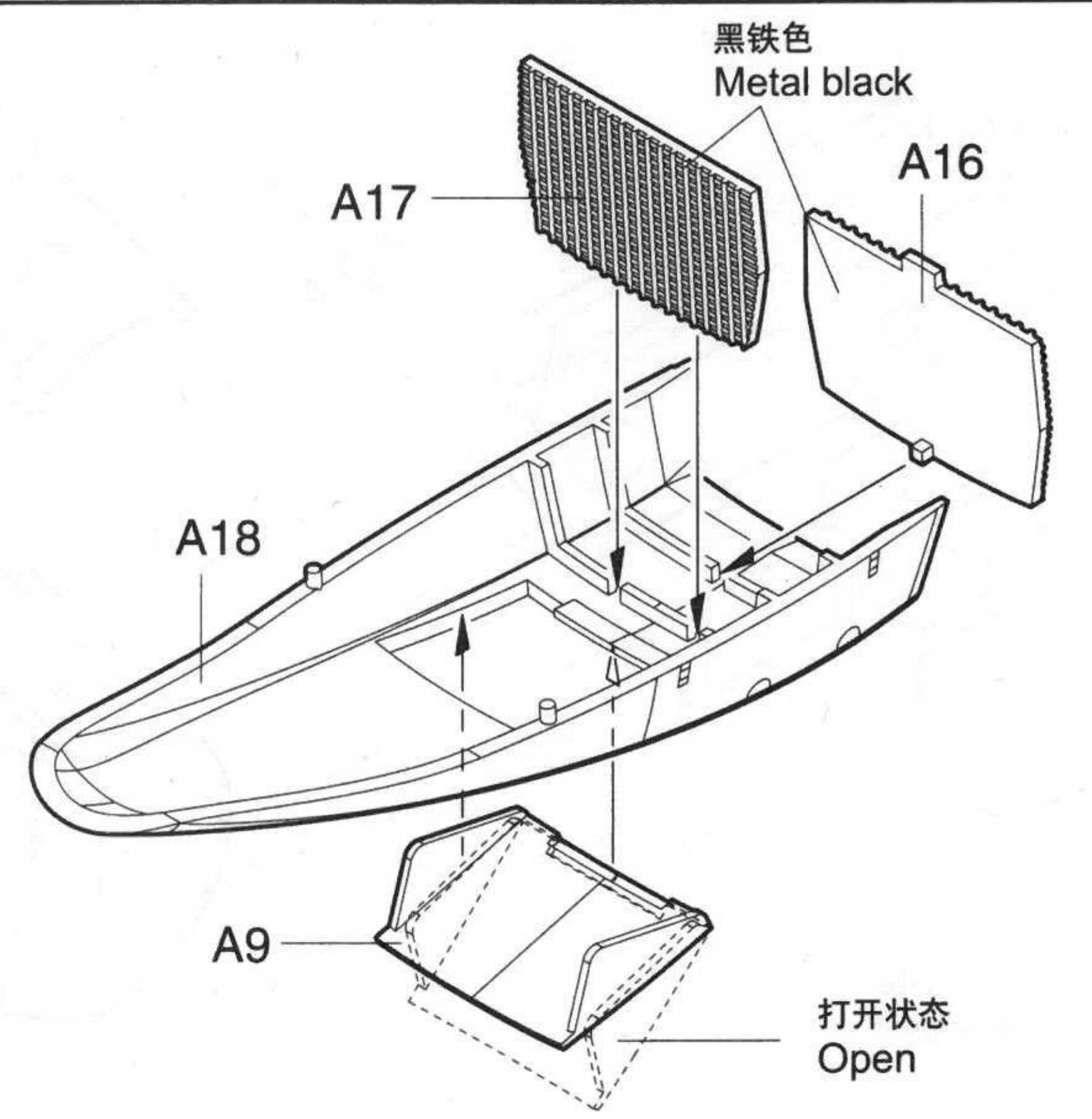
黑铁色
Metal black

A17

A16

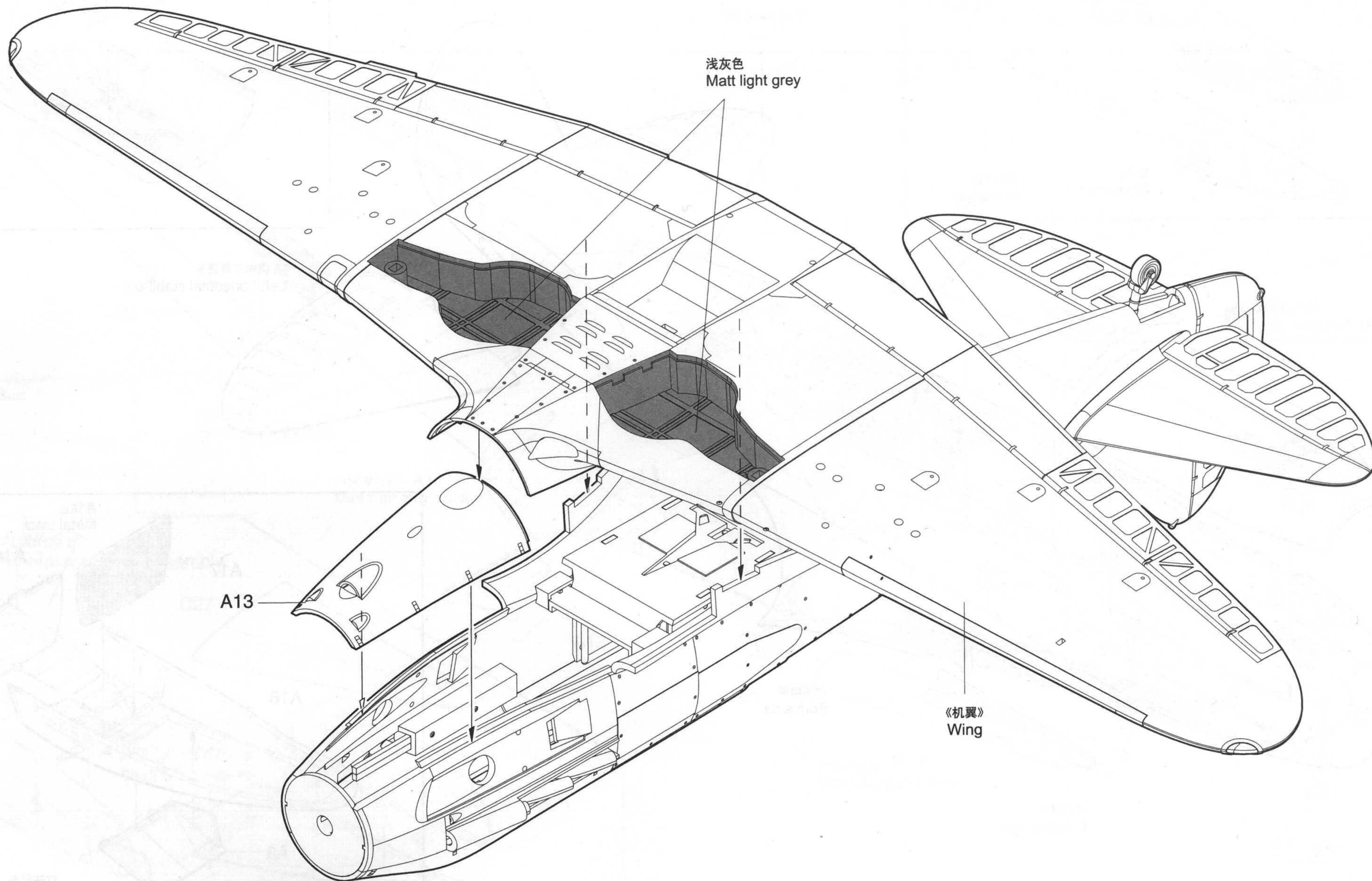
A18

A9

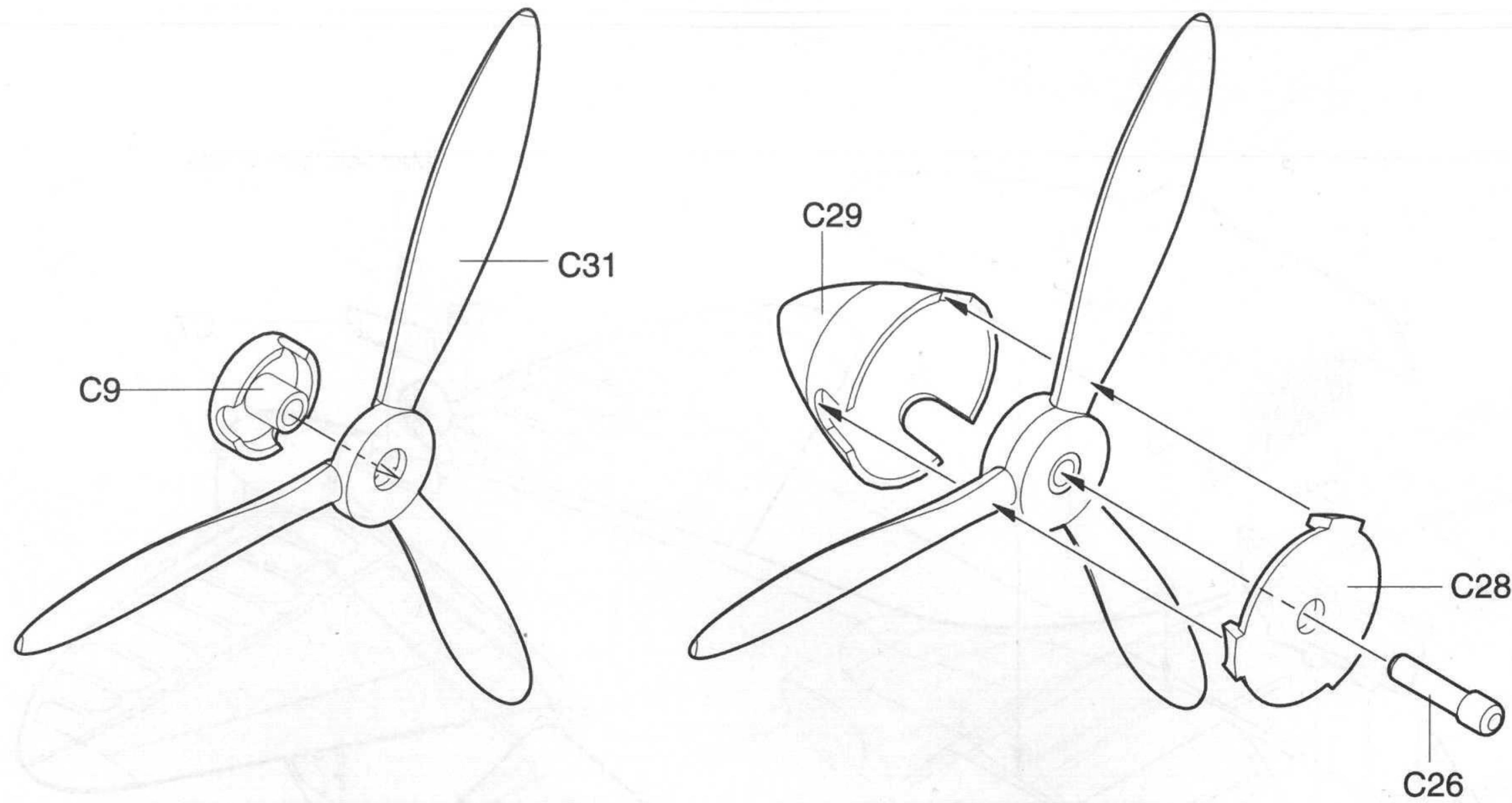


打开状态
Open

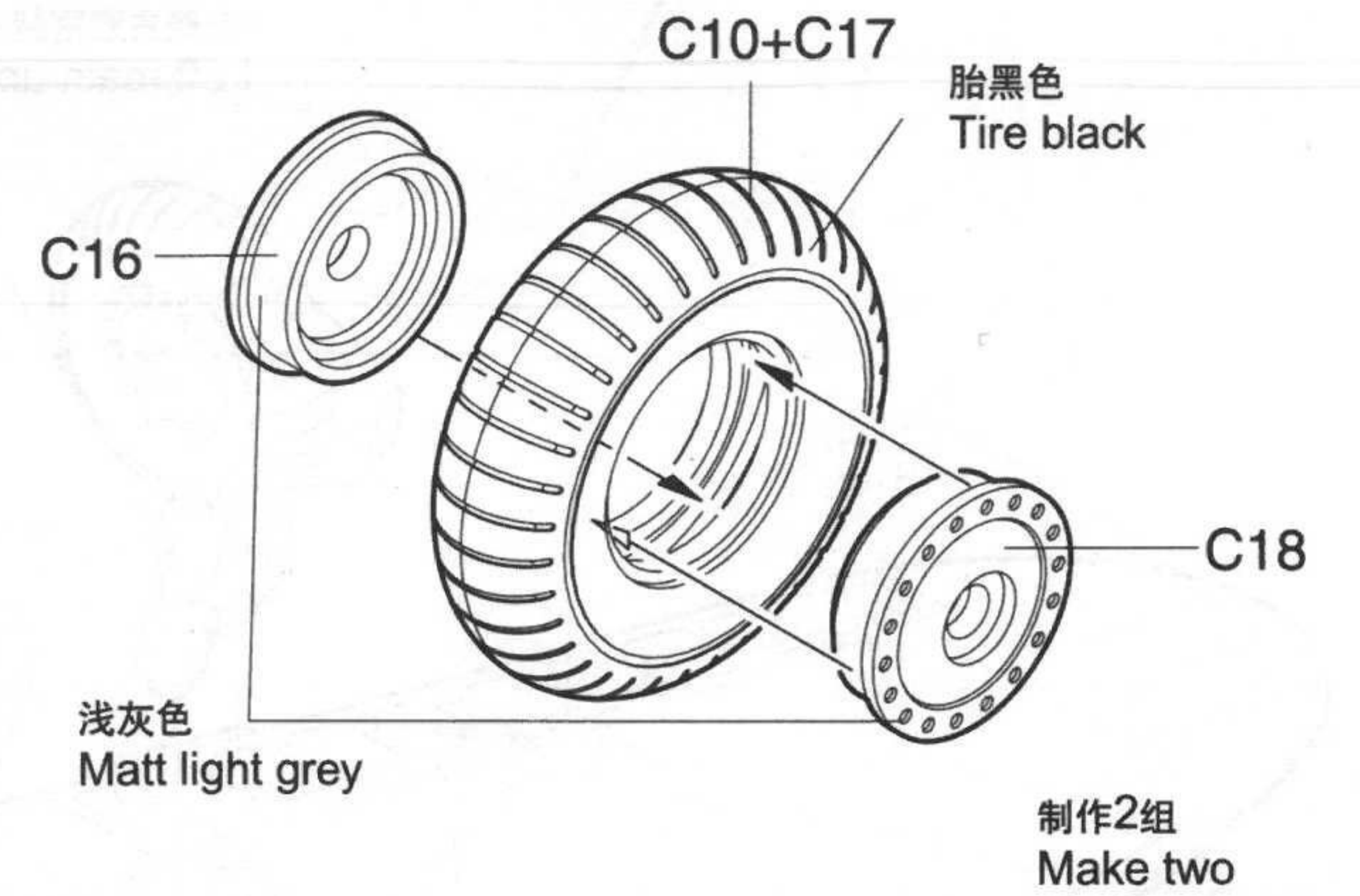
12 机翼的安装
Wing installation



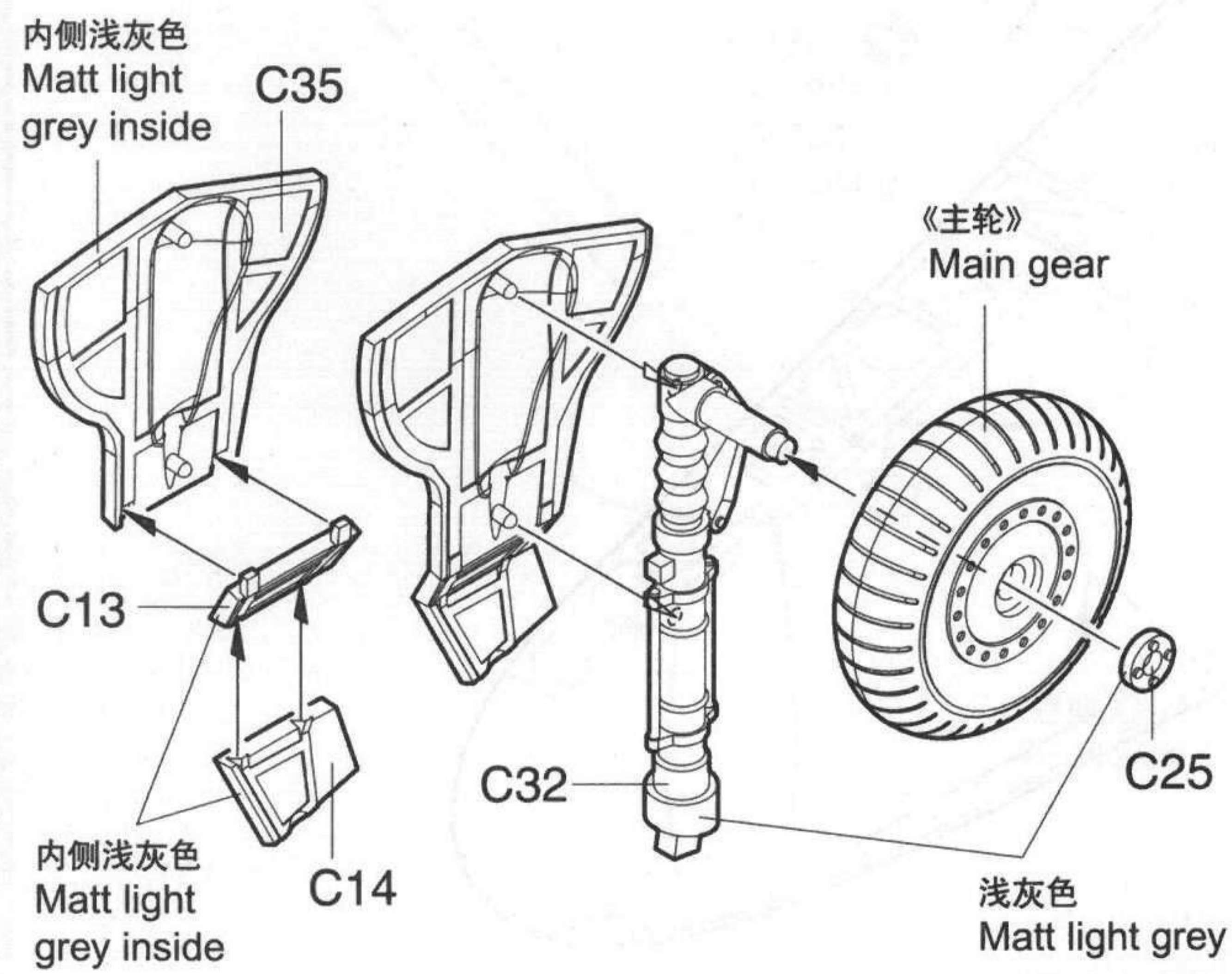
13 螺旋桨的组装
Propeller assembly



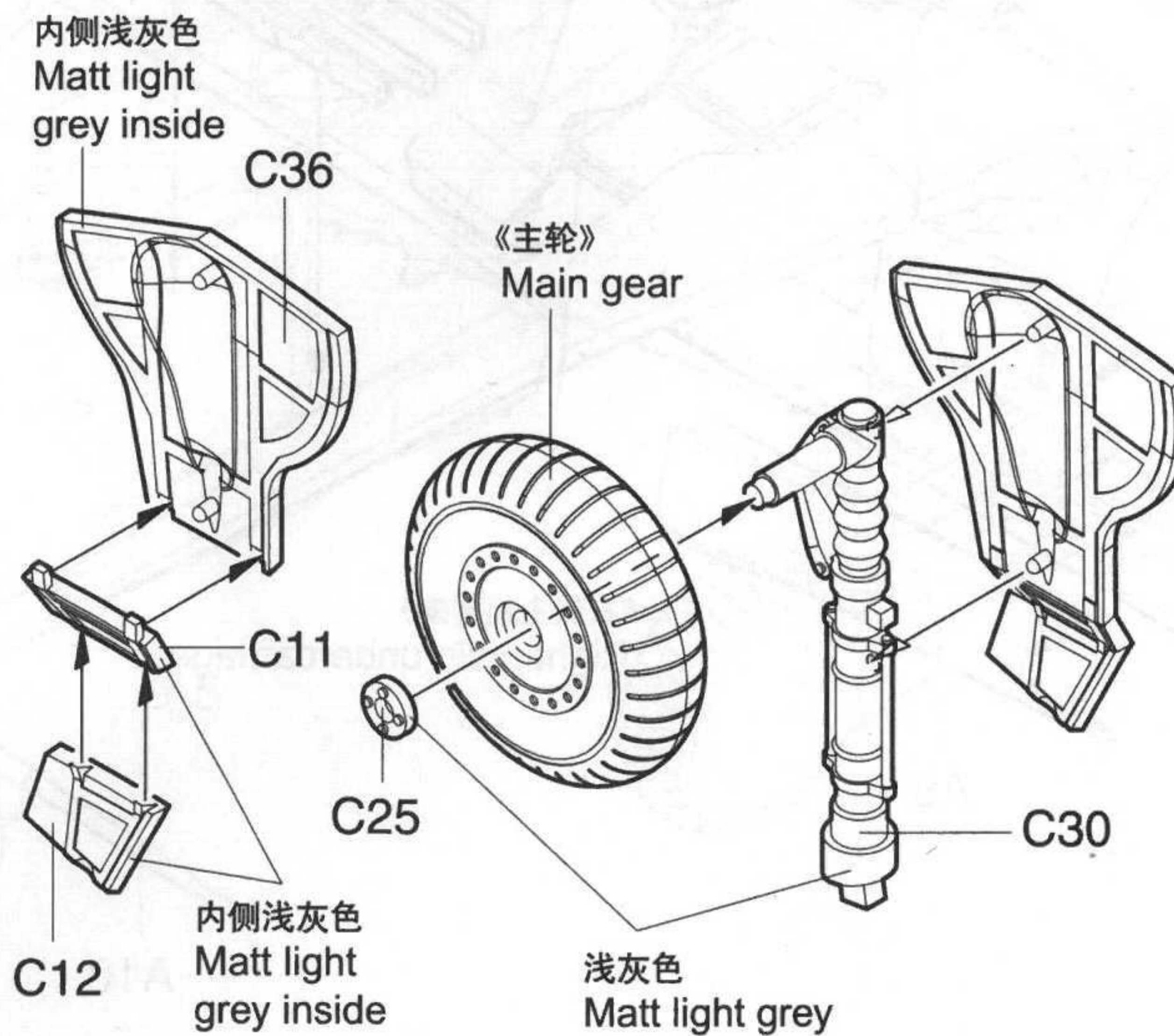
16 主轮的组装
Main gear assembly



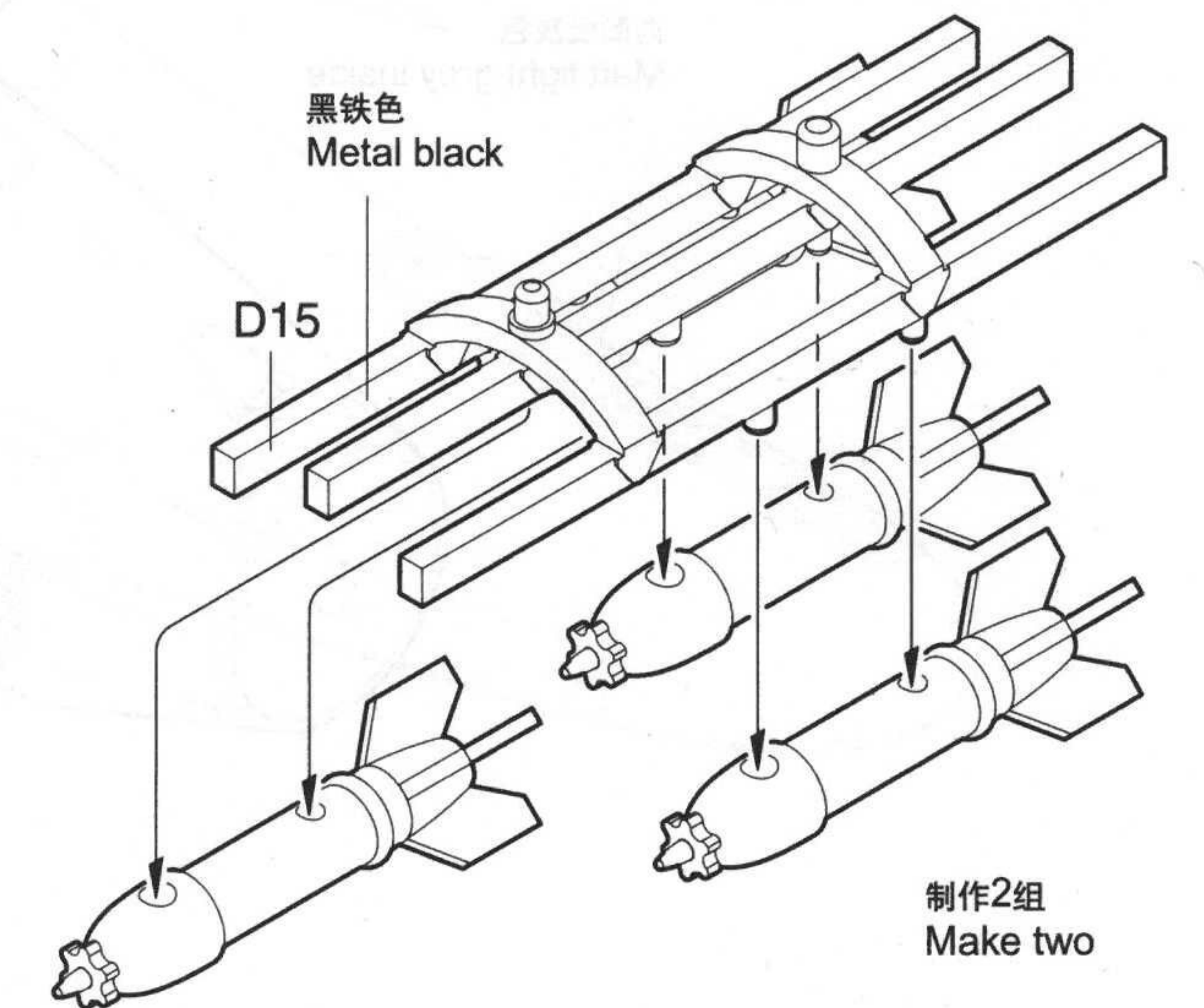
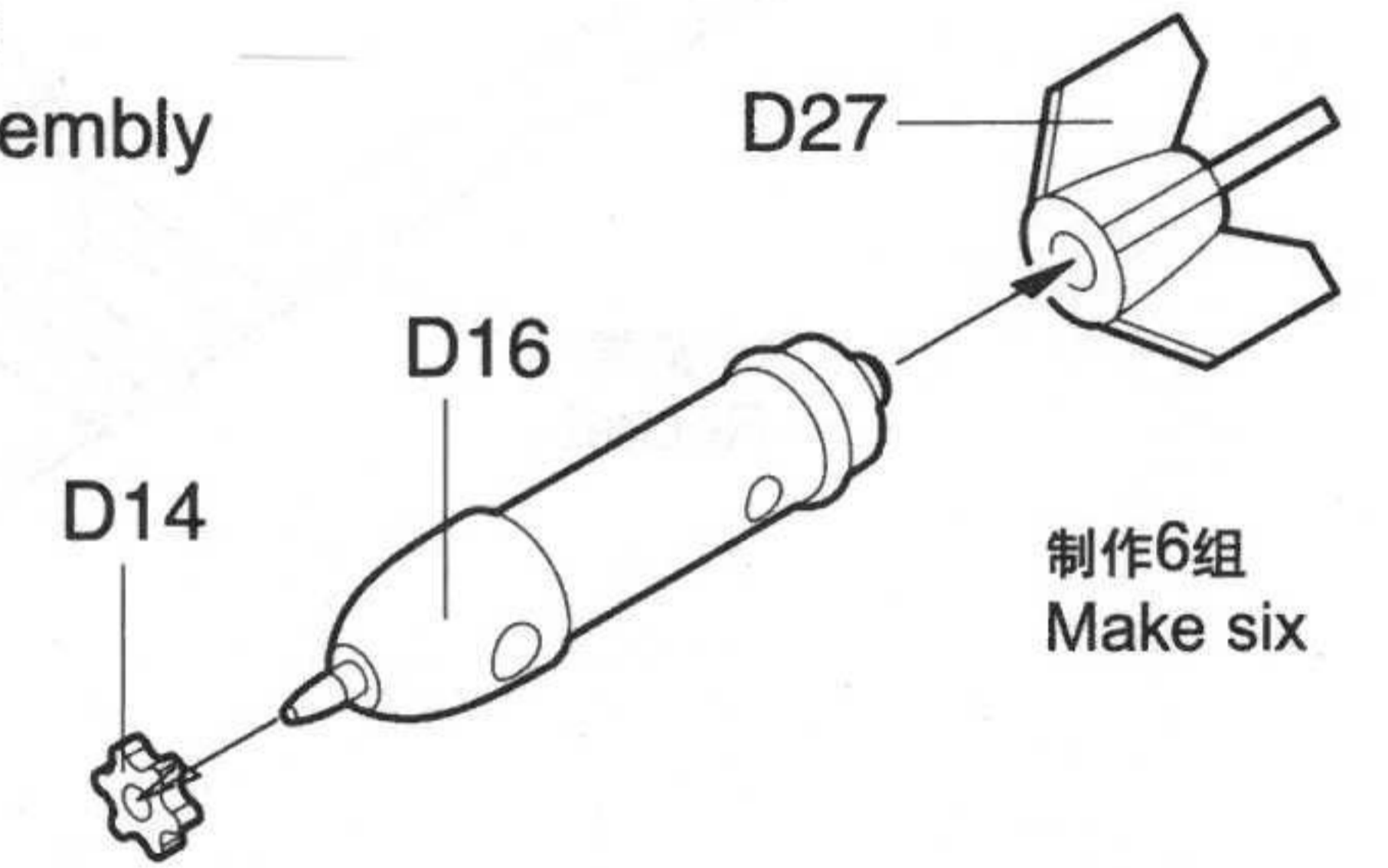
14 左侧主起落架的组装
Left main undercarriage assembly



15 右侧主起落架的组装
Right main undercarriage assembly

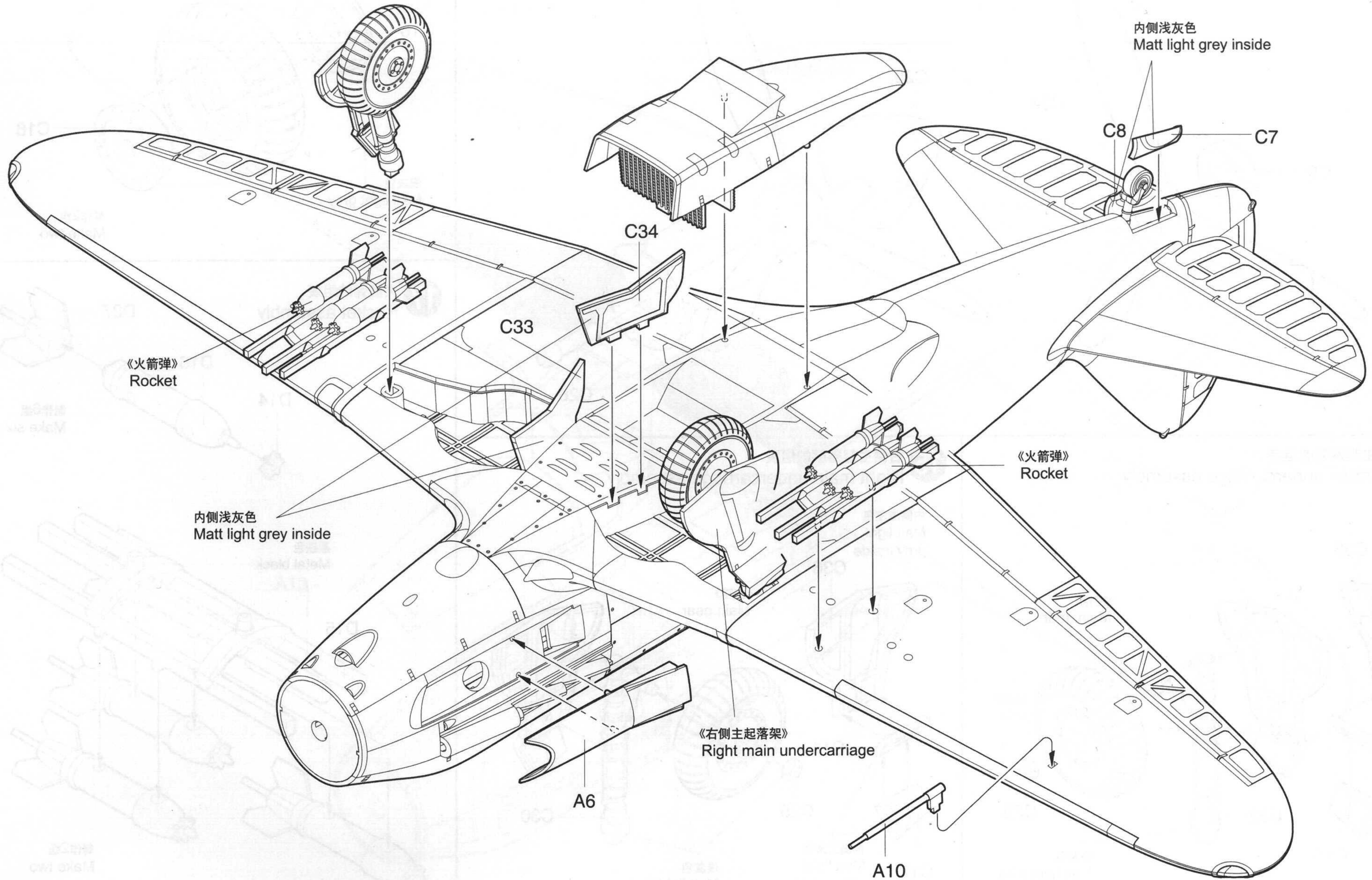


17 火箭弹的组装
Rocket assembly

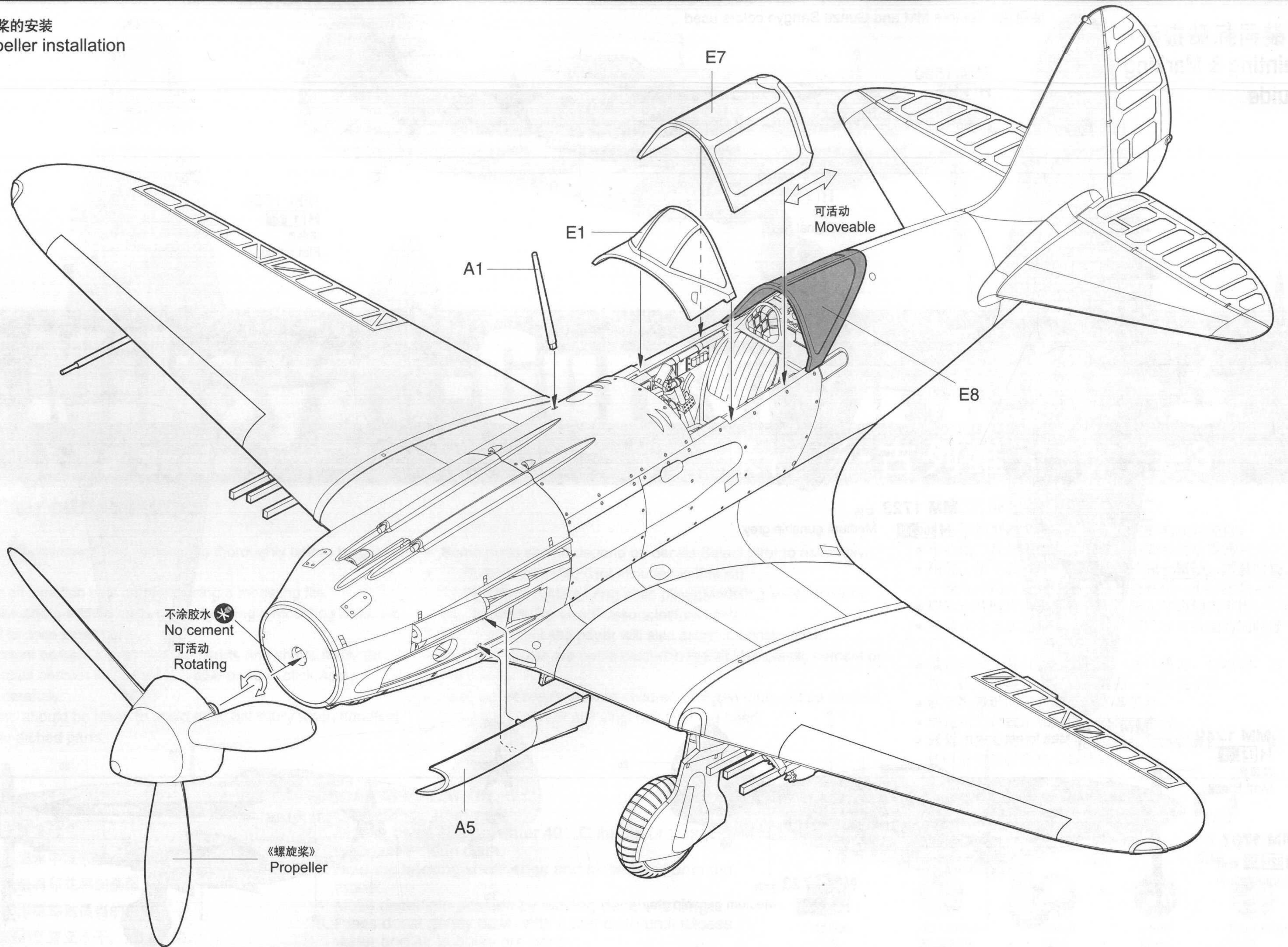


18 主起落架的安装
Main undercarriage installation

《左侧主起落架》
Left main undercarriage

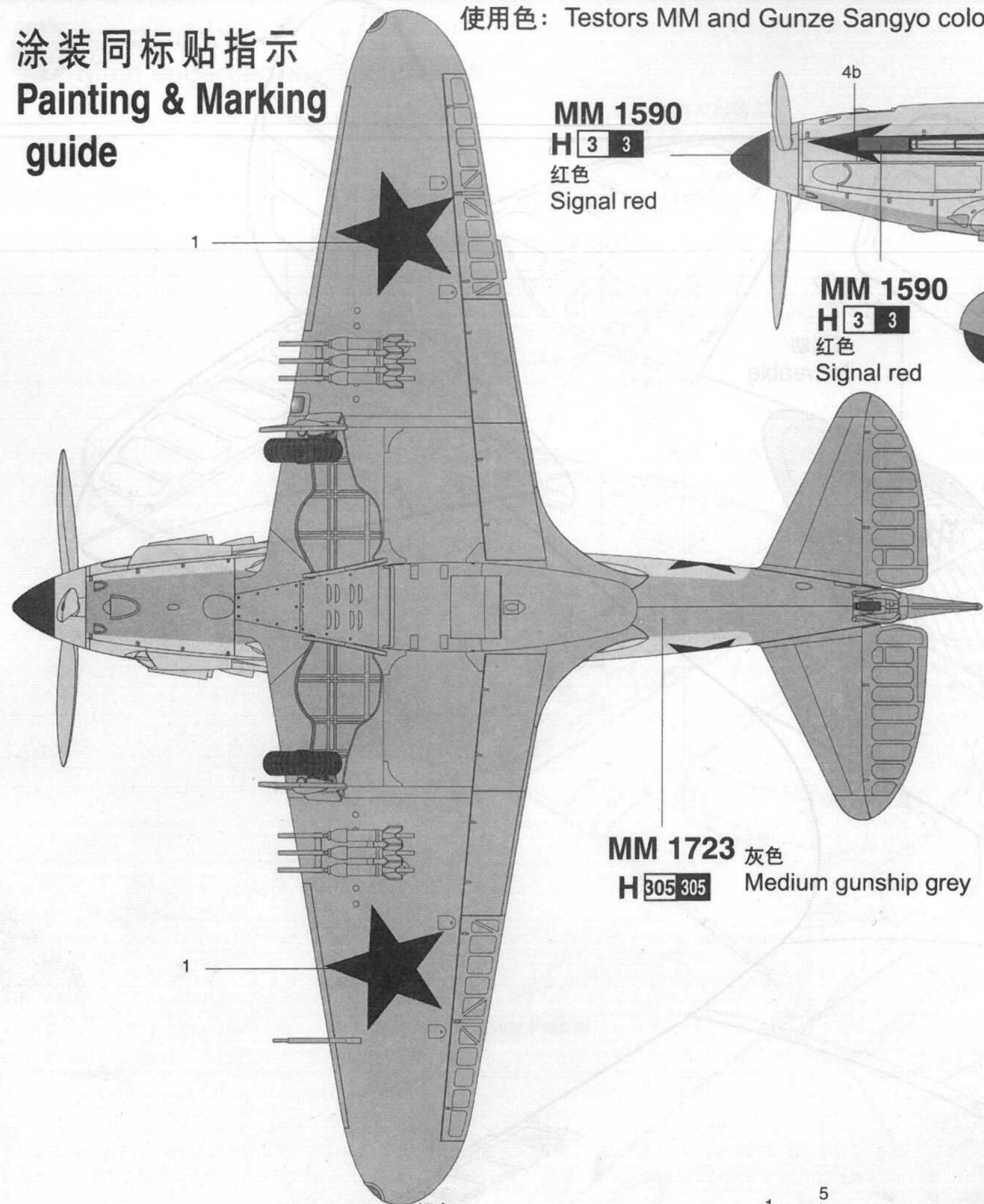


19 螺旋桨的安装
Propeller installation

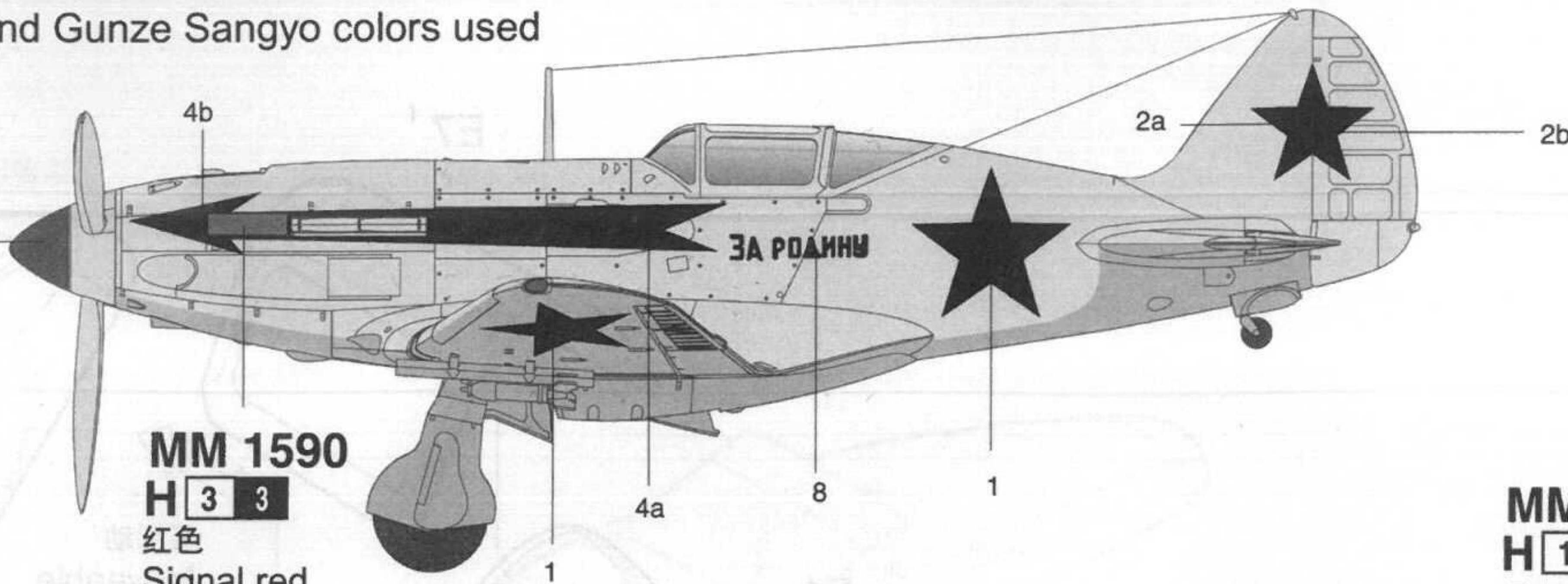


涂装同标贴指示
Painting & Marking
guide

使用色: Testors MM and Gunze Sangyo colors used

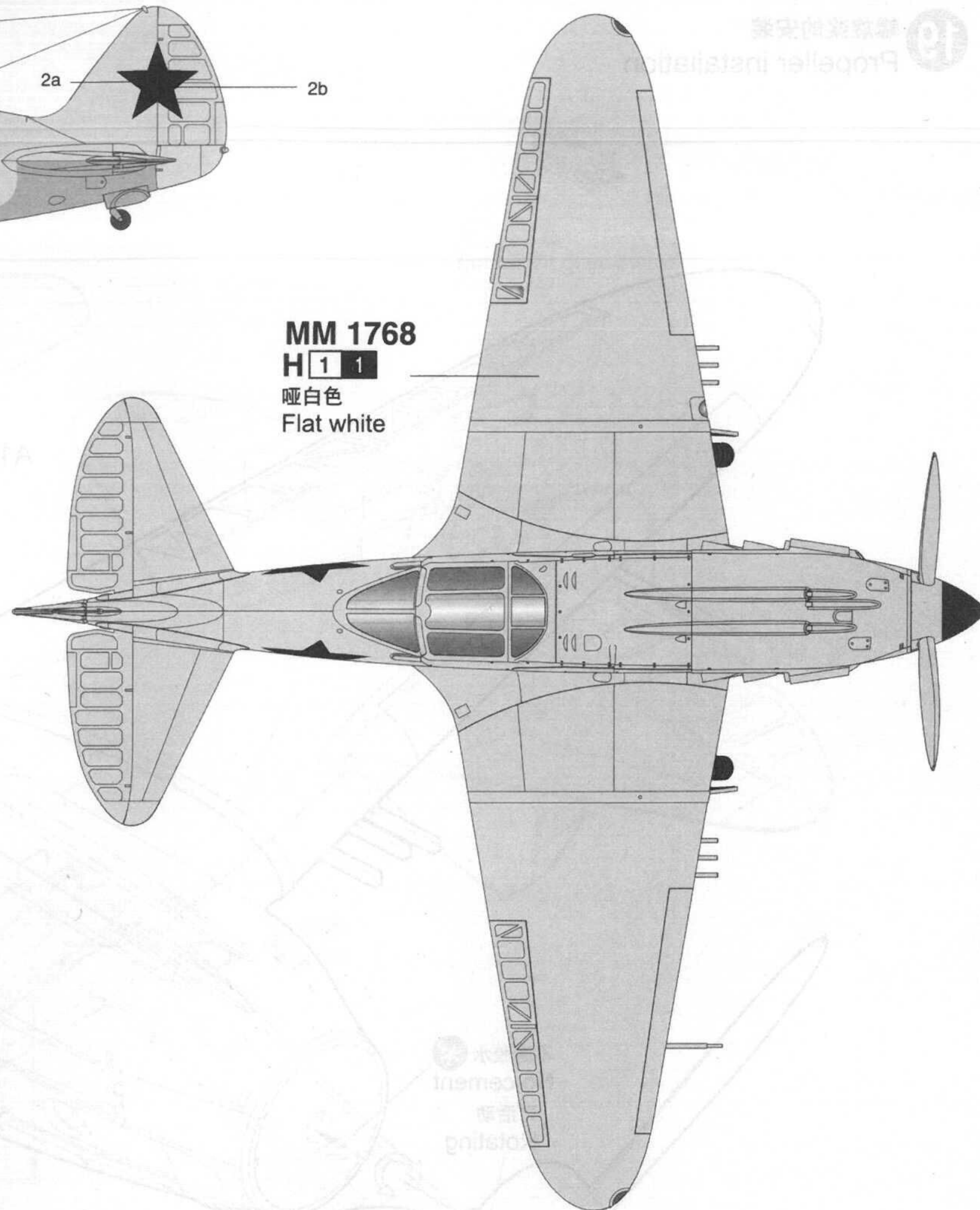


MM 1590
H 3 3
红色
Signal red



MM 1590
H 3 3
红色
Signal red

MM 1768
H 1 1
哑白色
Flat white

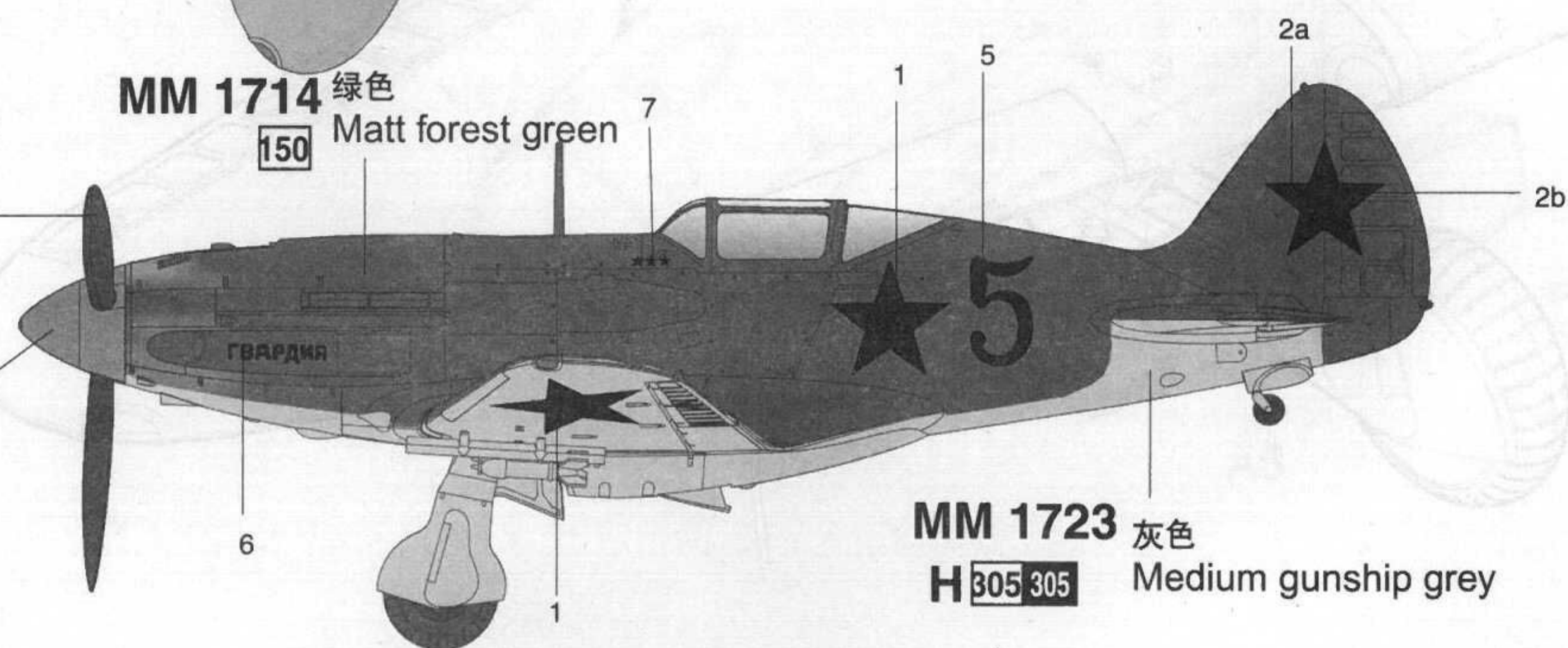


MM 1723 灰色
H 305 305
Medium gunship grey

MM 1749
H 12 33
哑黑光
Matt Black

MM 1714 绿色
H 150
Matt forest green

MM 1707
H 329 329
黄色
Insignia Yellow



MM 1723 灰色
H 305 305
Medium gunship grey

