



The F9F-8 Cougar was a development of the F9F Panther carrier based fighter, having swept wings rather than straight wings.

The two seat F9F-8T trainer version of the Cougar, or 'Twoogar' was a strengthened and lengthened F9F-8 with increased wing area and refuelling probe.

377 were delivered to the U.S Navy from 1956 to 1960.

The aircraft was armed with two 20mm (0.79 inch) cannons, and could carry a bomb or missile load.

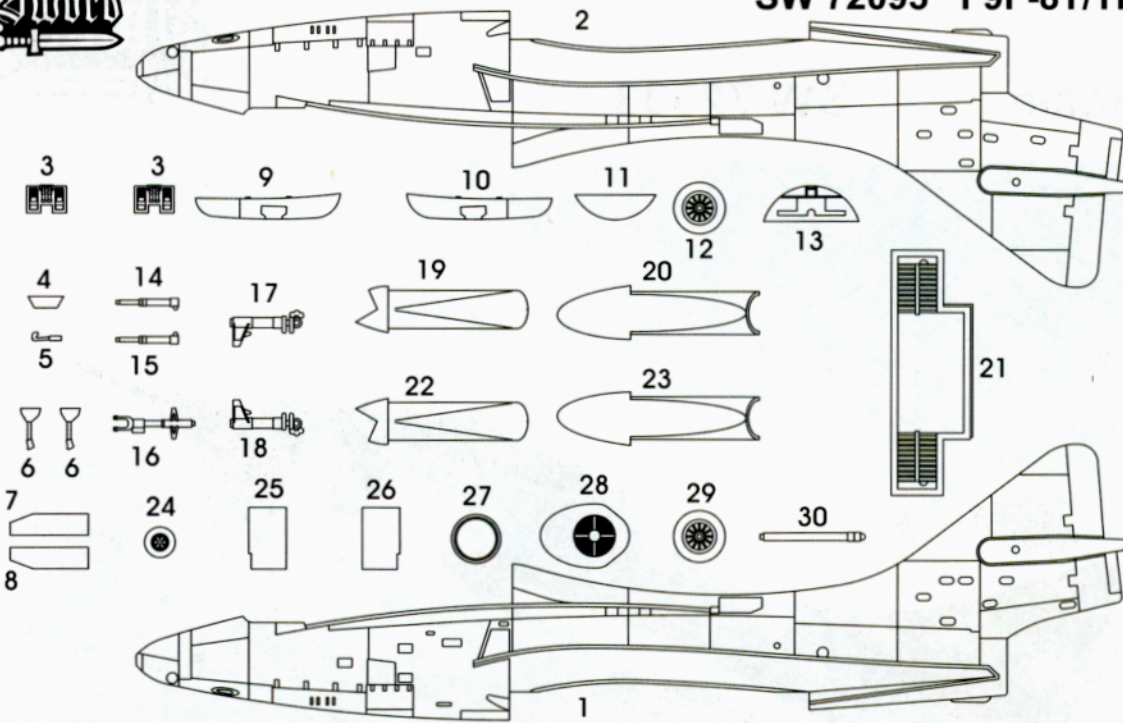
In 1962 it was redesignated TF-9J and this was the only version to see combat when it served the U.S Marines Headquarters and Maintenance Squadrons at Da Nang and Chu Lai, as fast Forward Air Control in South Vietnam in 1966 and 1967.

The Cougars or 'Twoogars' were replaced by the F11F Tiger and F8U Crusader in 1968-1969 although navy aircraft remained in service until 1974.

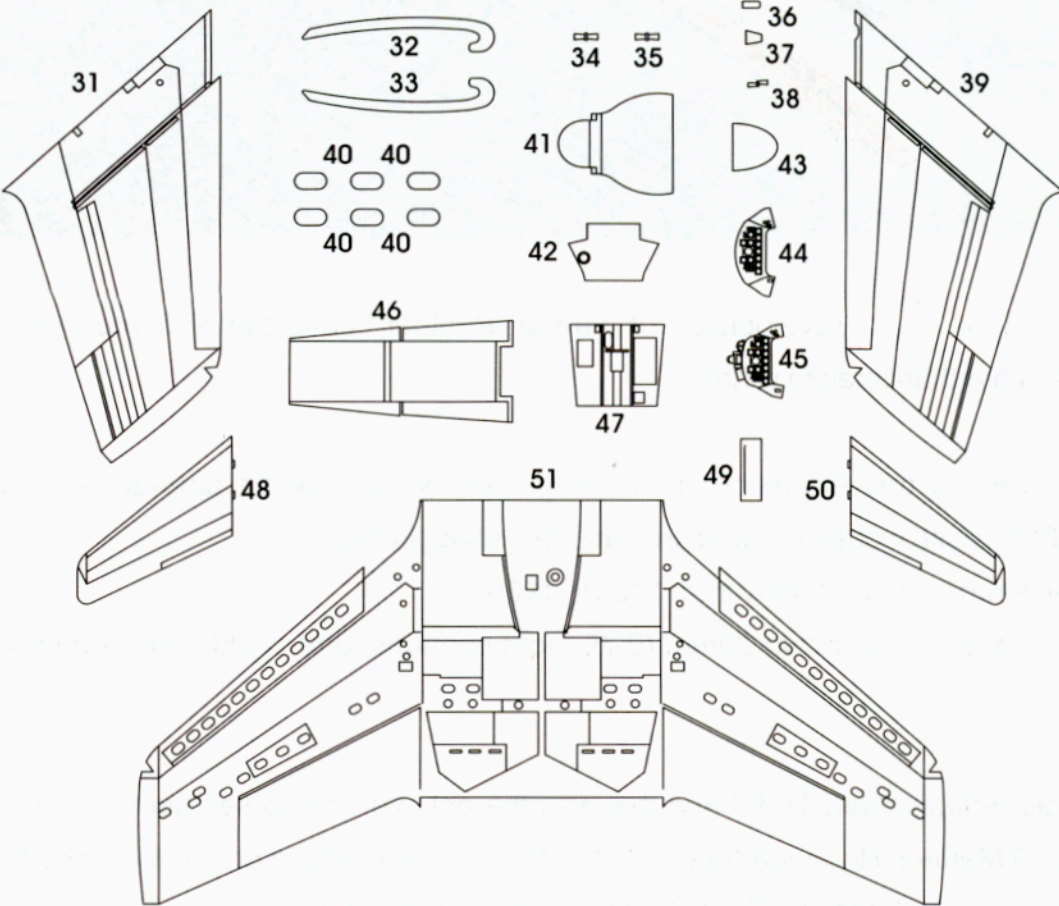
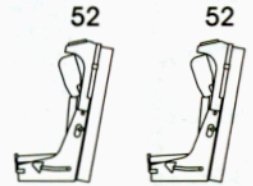
A modified version was rejected in favour of the TA-4F Skyhawk.



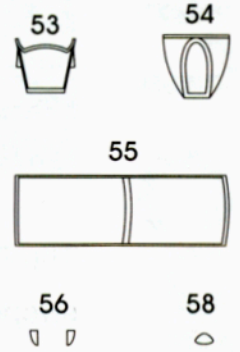
# SW 72093 F9F-8T/TF-9J Cougar/Twogor



PUR díly/ PUR parts  
 Lepit  
 kyanokrylátovým  
 lepidlem/  
 instant cyanoacrylate glue



čiré díly/ clear parts



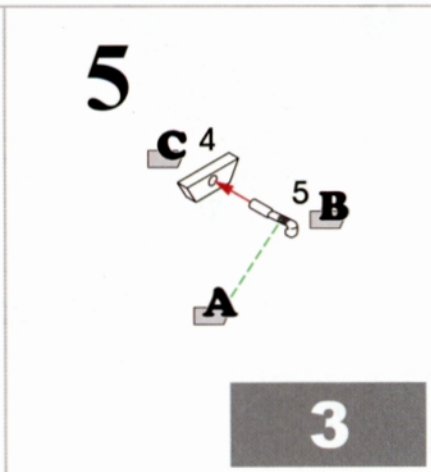
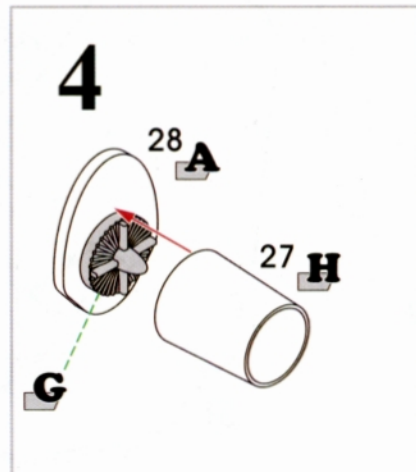
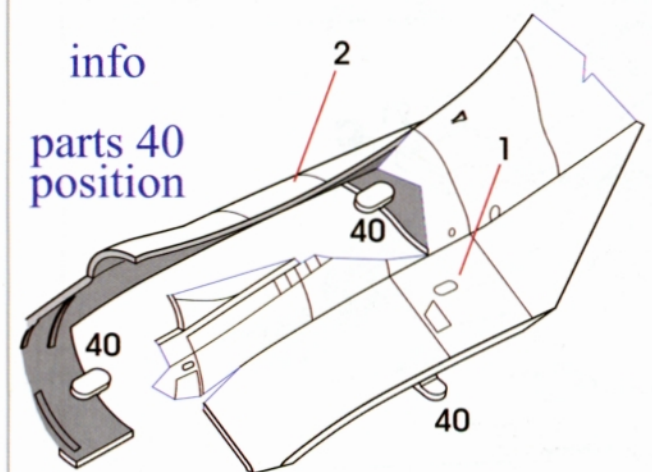
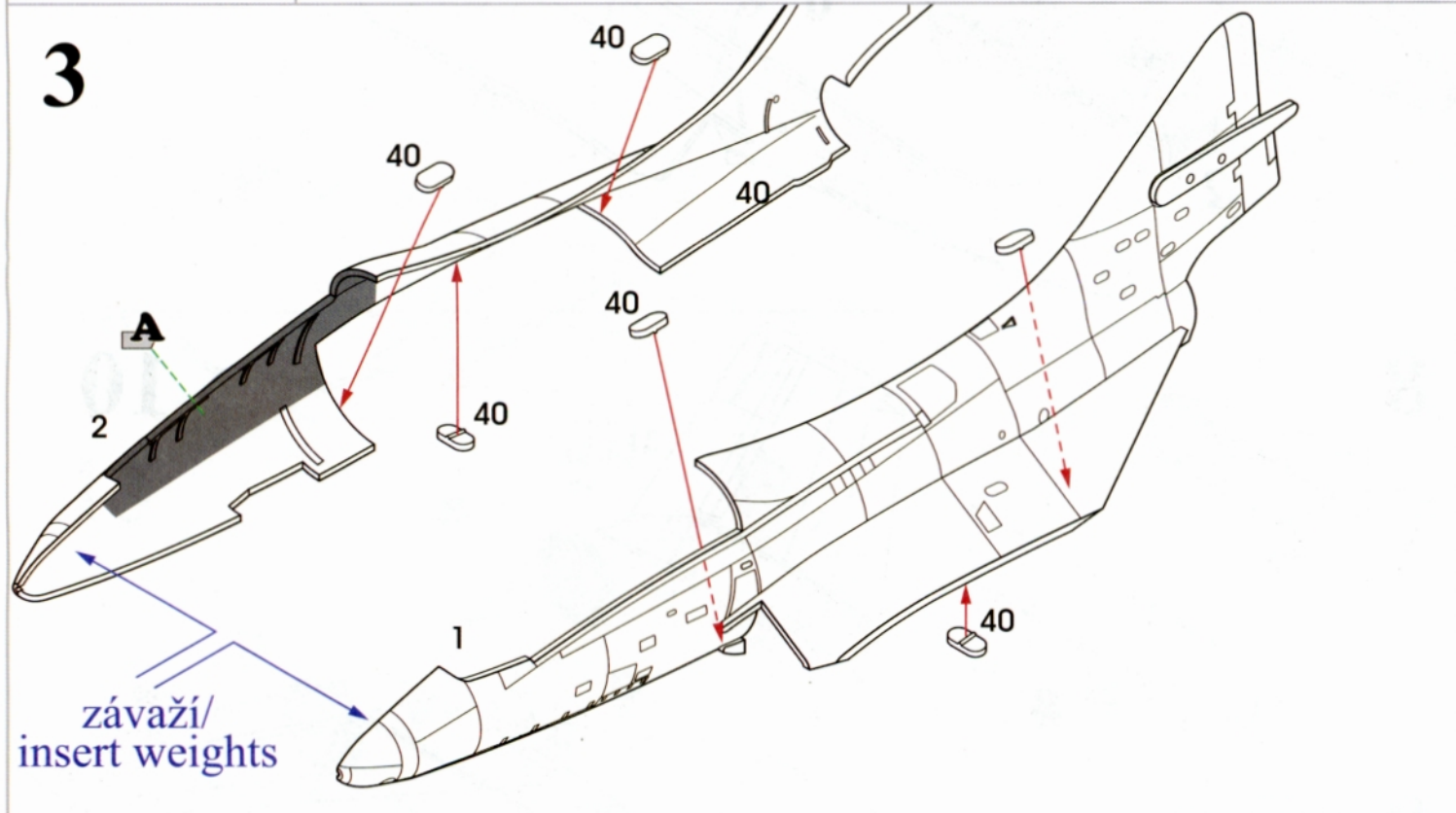
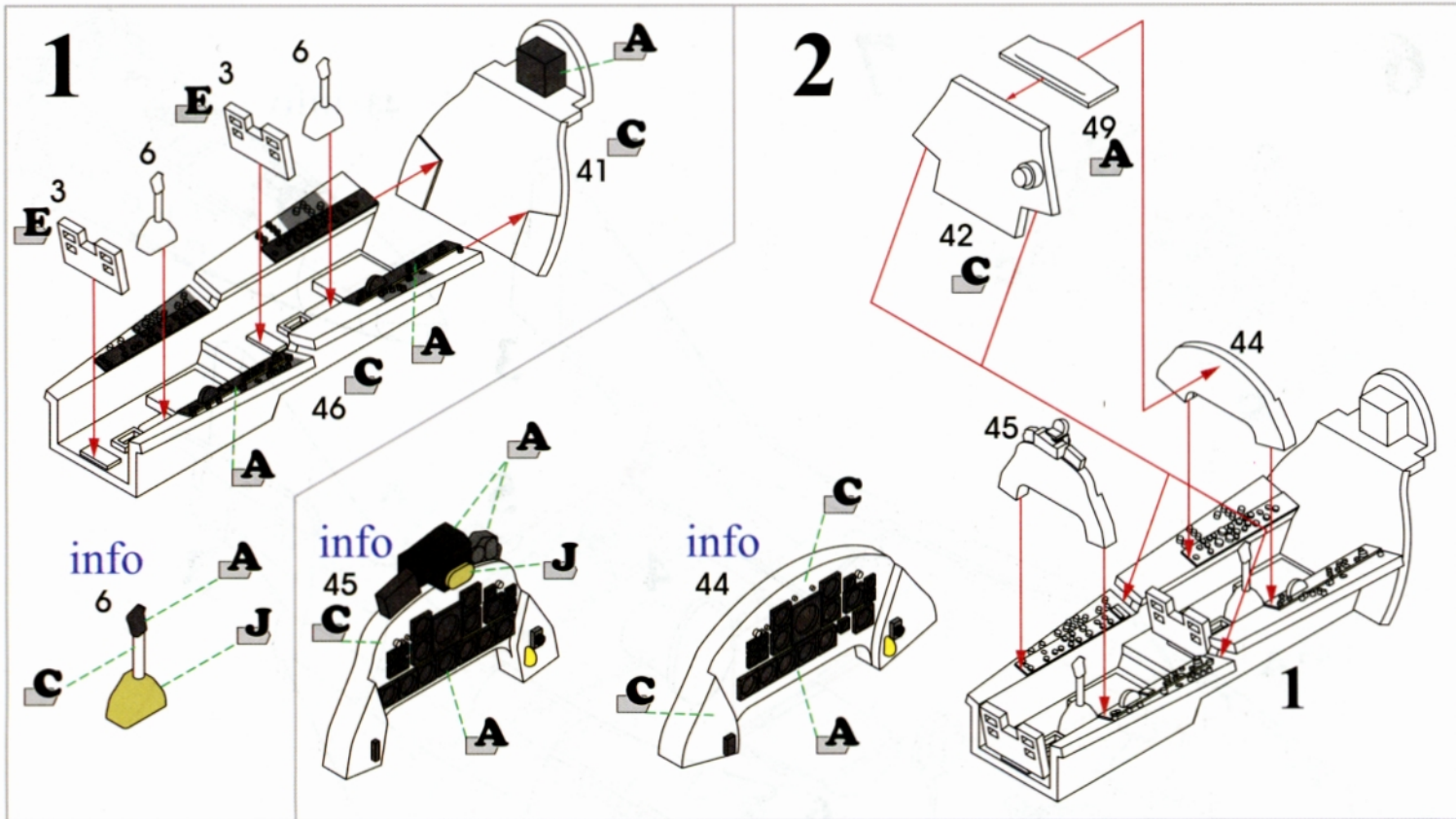
čirý díl/ clear part (VACU)



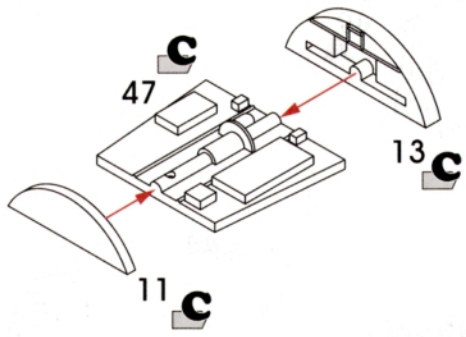
### barvy/ colours

- A** — černá  
Black
- B** — bílá  
White
- C** — světle šedá  
Light Gray
- D** — červená  
Red
- E** — hliníková  
Aluminium

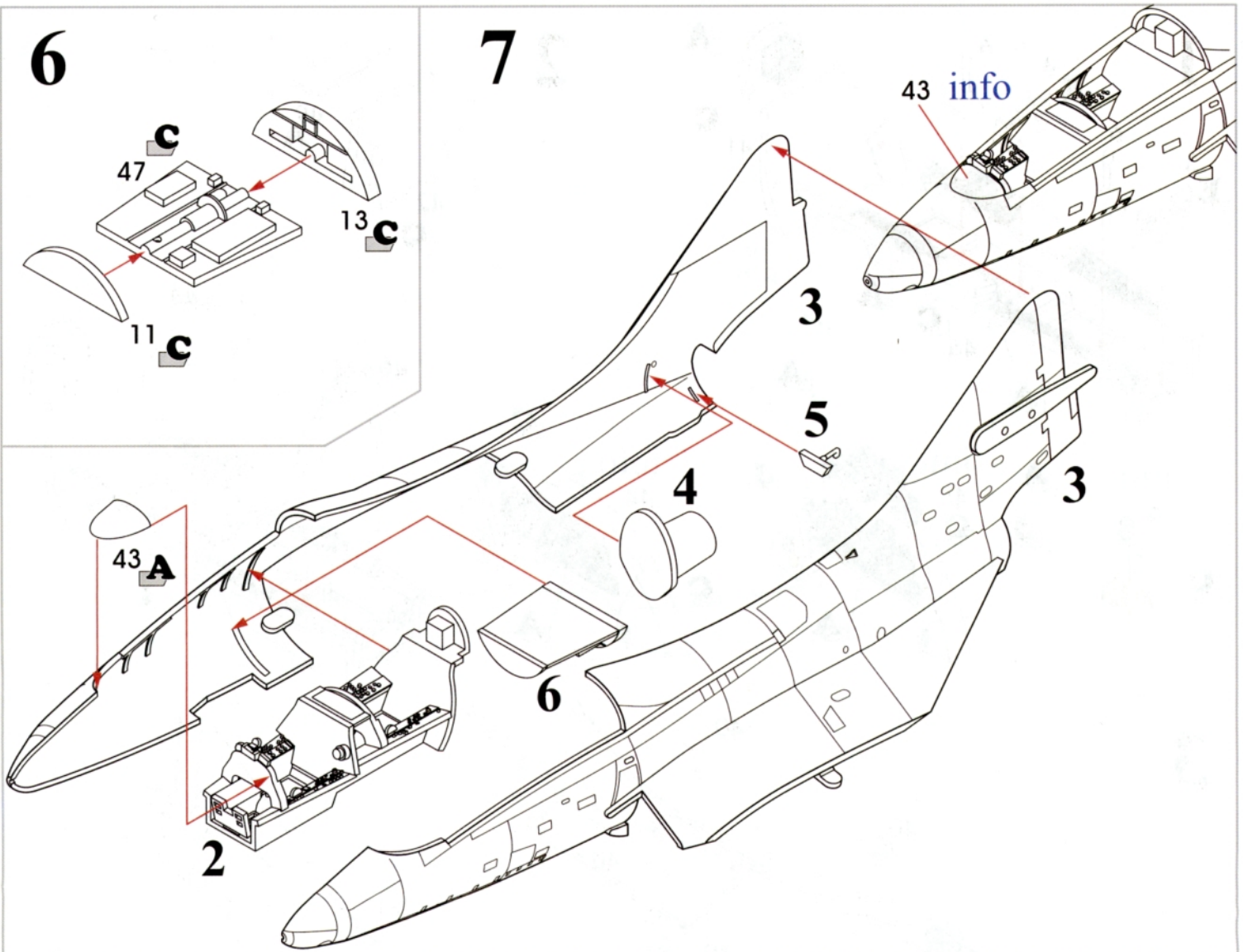
- F** — šedočerná  
Tyre Black
- G** — kovová tmavá  
Gun Metal
- H** — opálený kov  
Burnt Iron
- I** — chromová  
Chrome
- J** — hnědá kožená  
Brown Leather



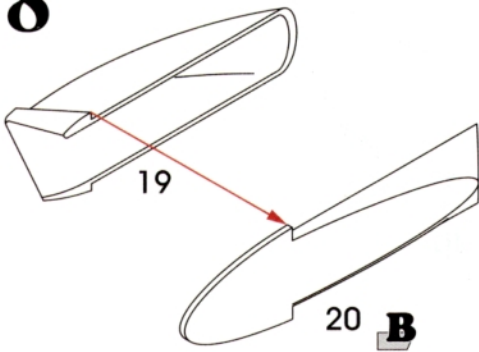
6



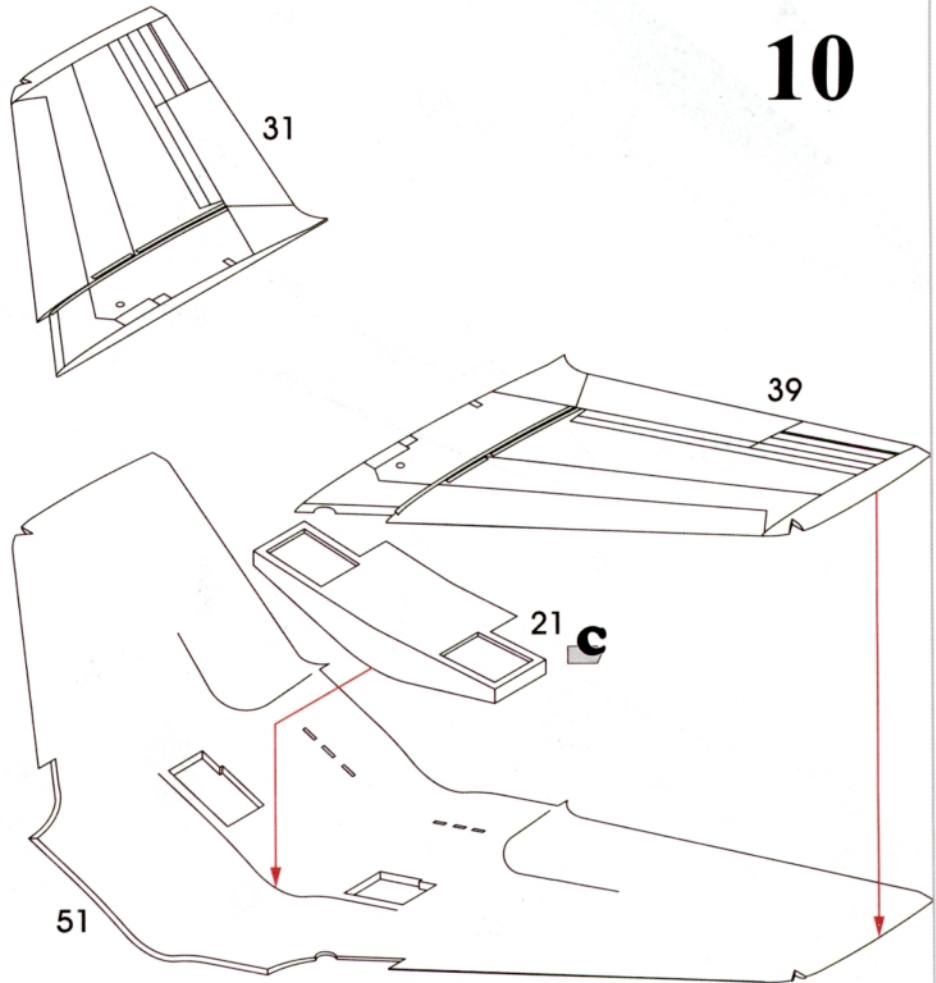
7



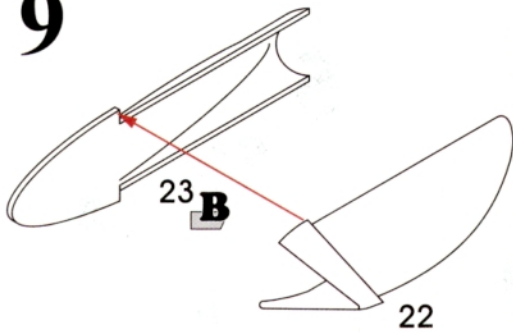
8



10

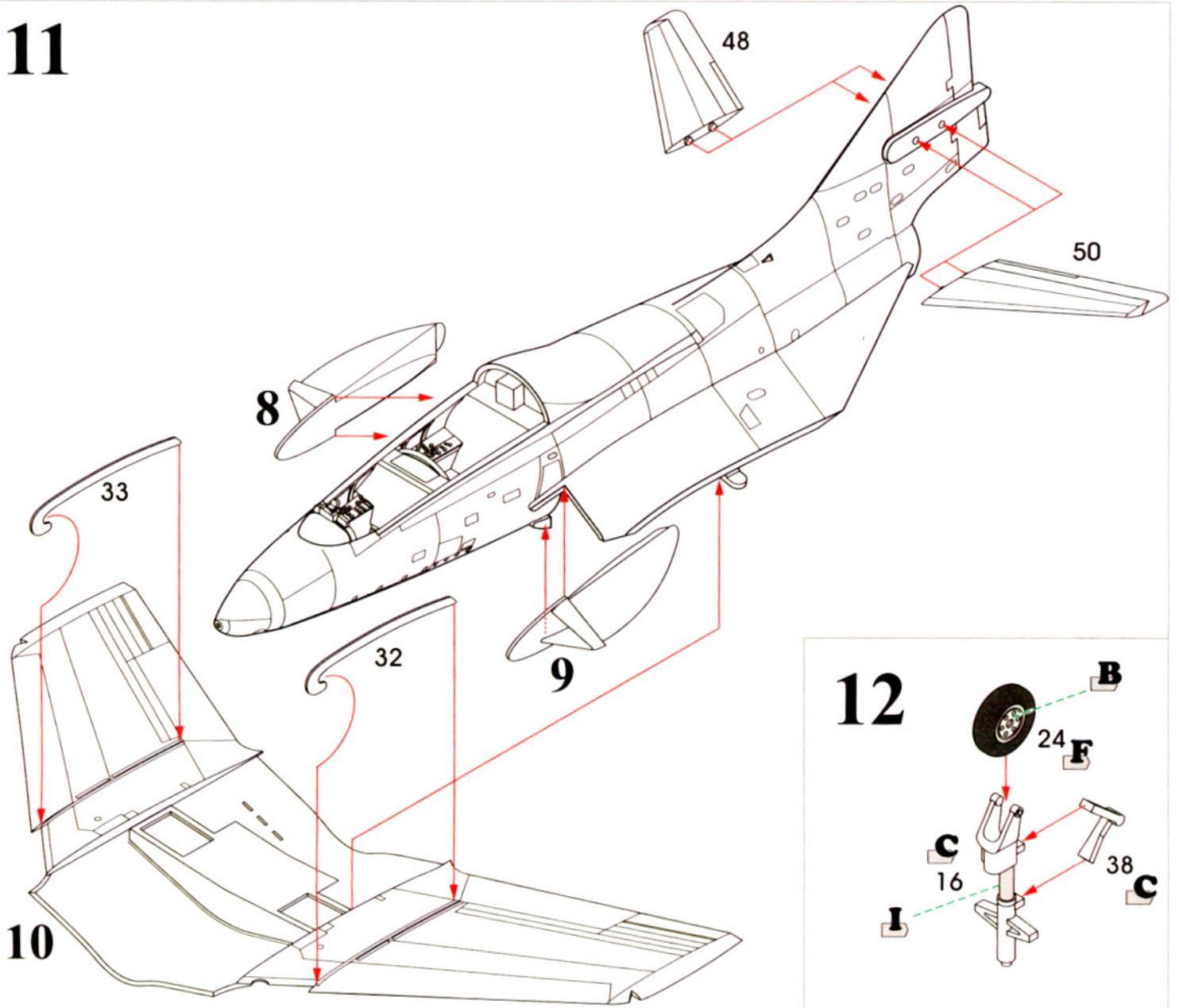


9

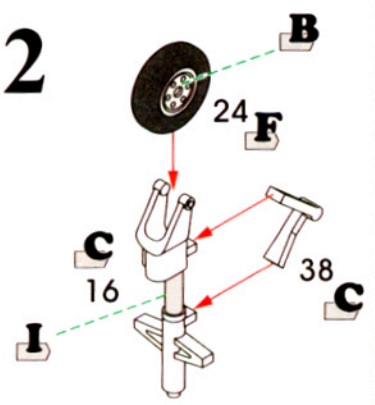


4

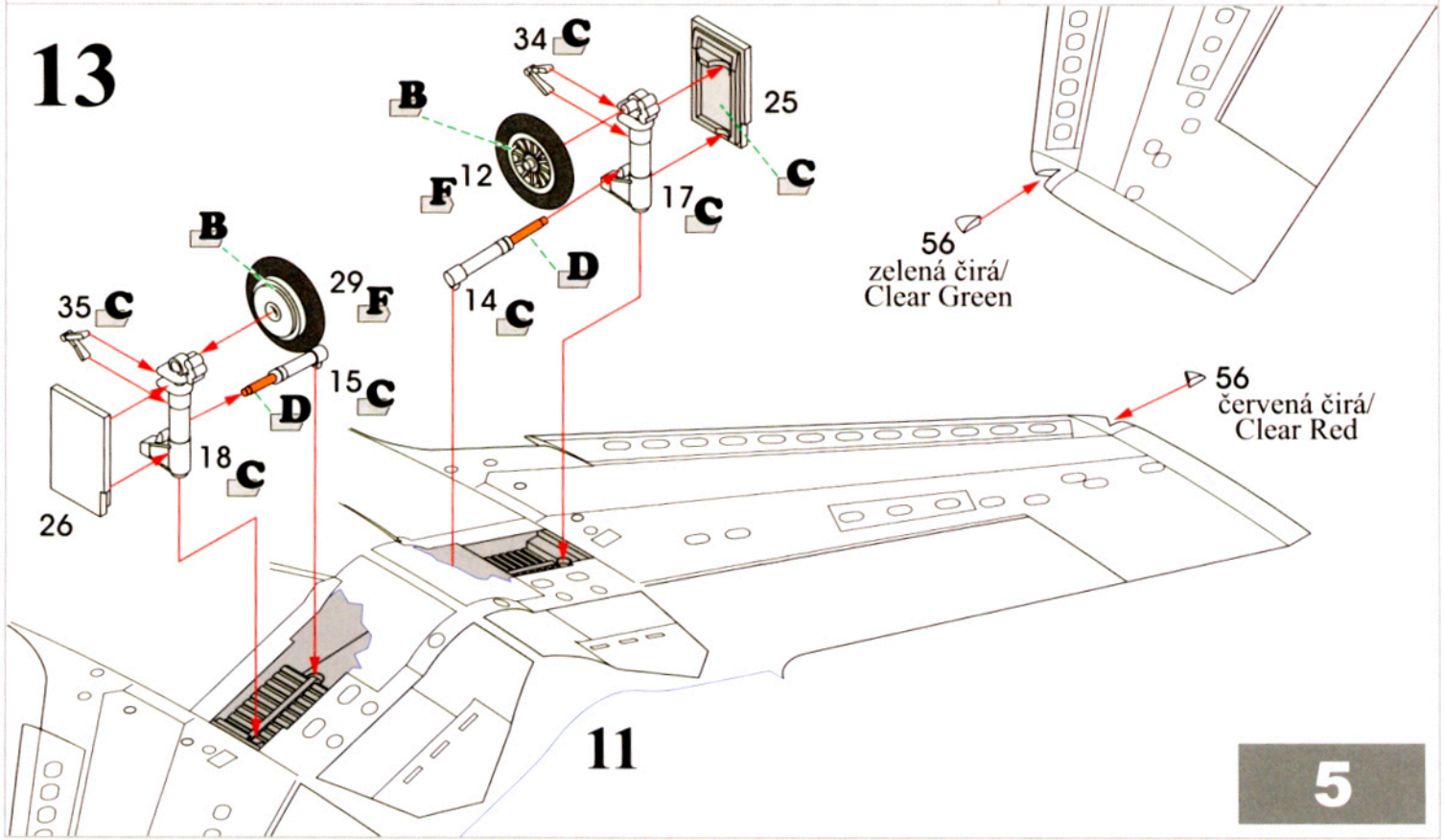
# 11



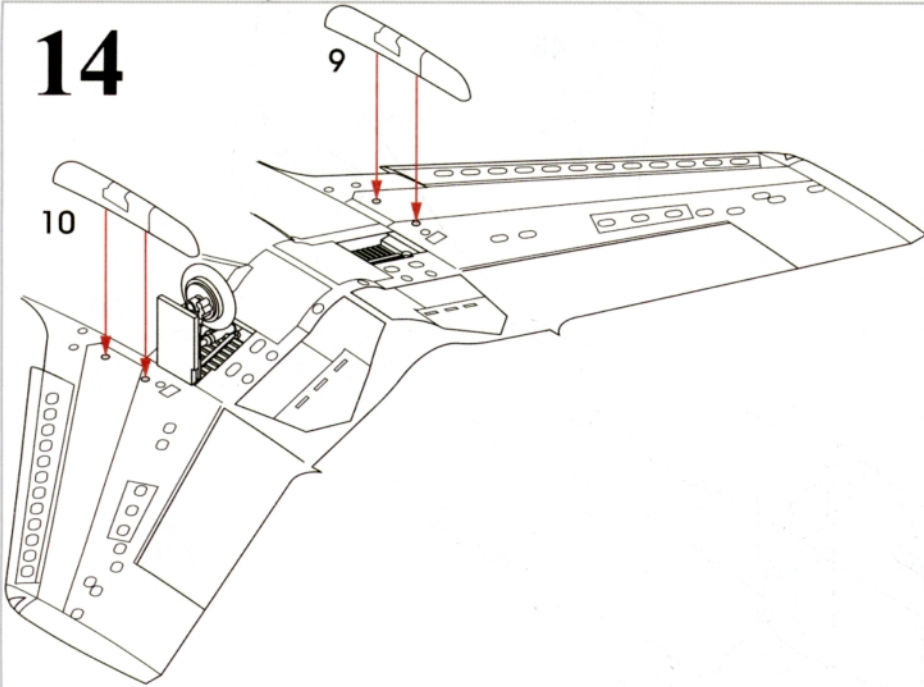
# 12



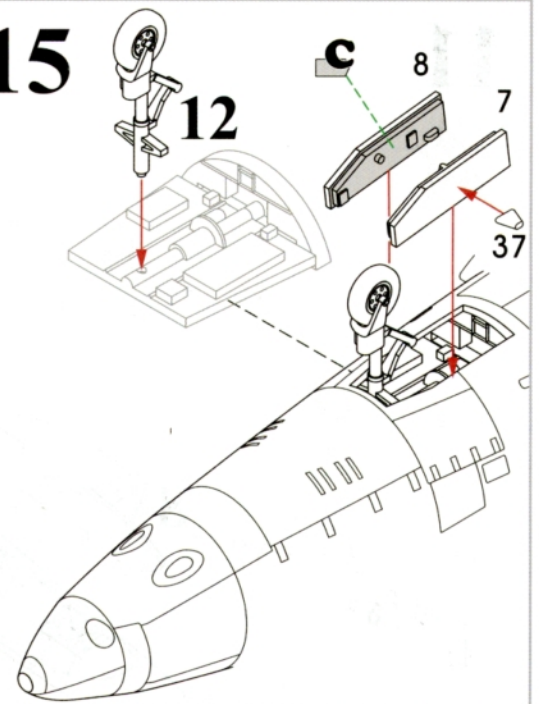
# 13



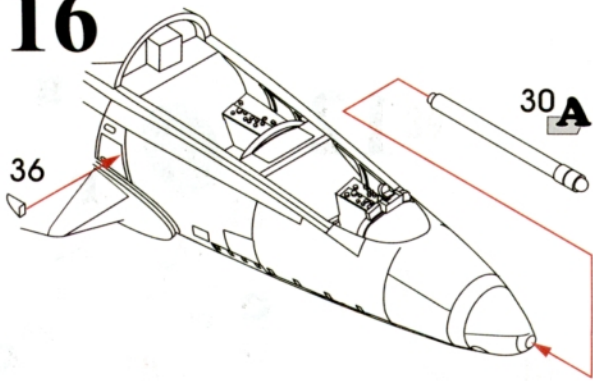
14



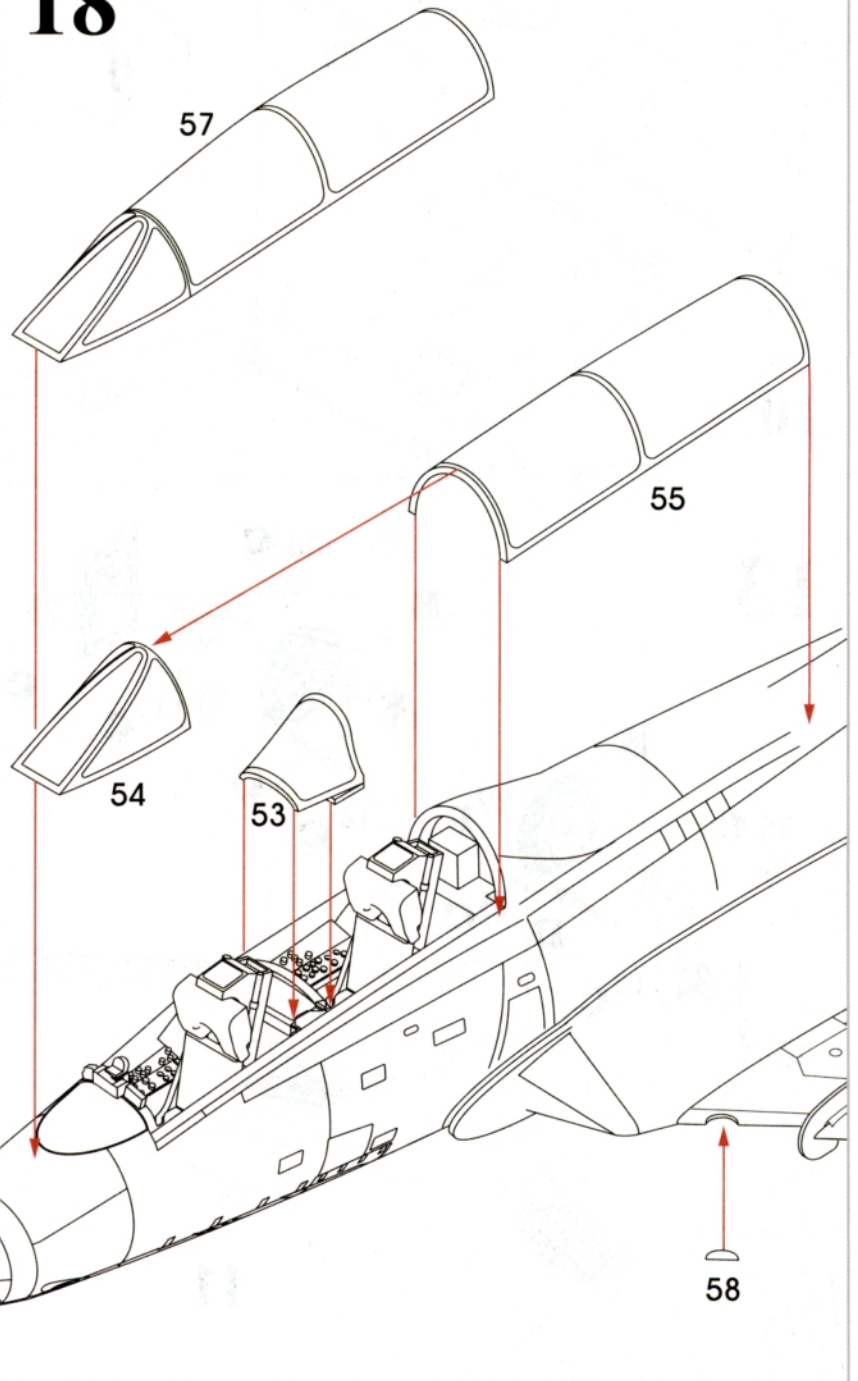
15



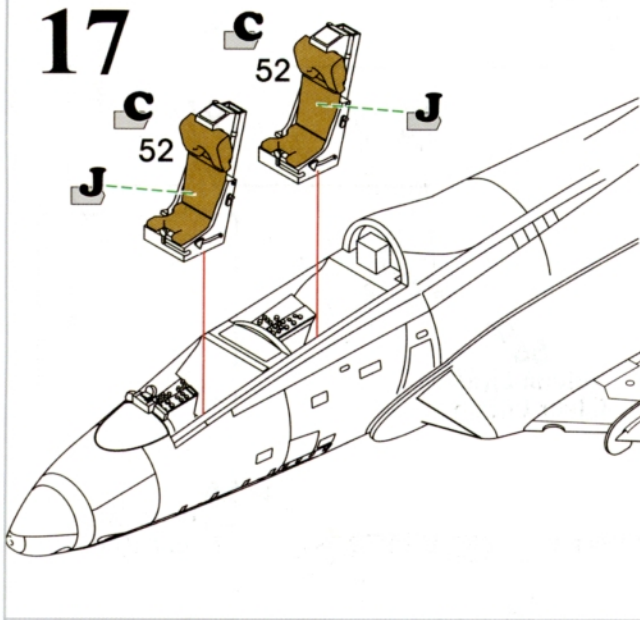
16



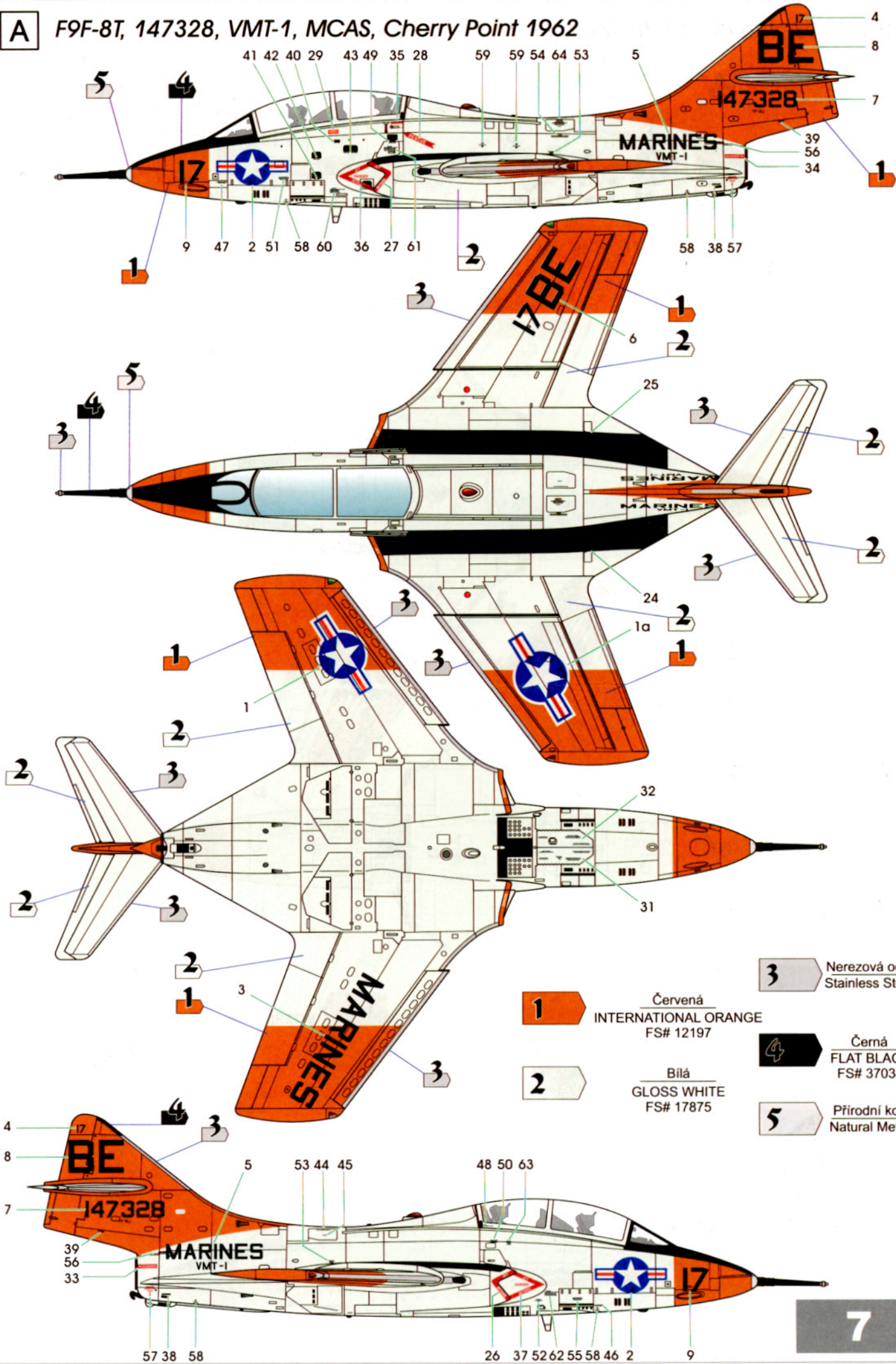
18



17



**A** F9F-8T, 147328, VMT-1, MCAS, Cherry Point 1962



**3** Nerezová ocel  
Stainless Steel

**1** Červená  
INTERNATIONAL ORANGE  
FS# 12197

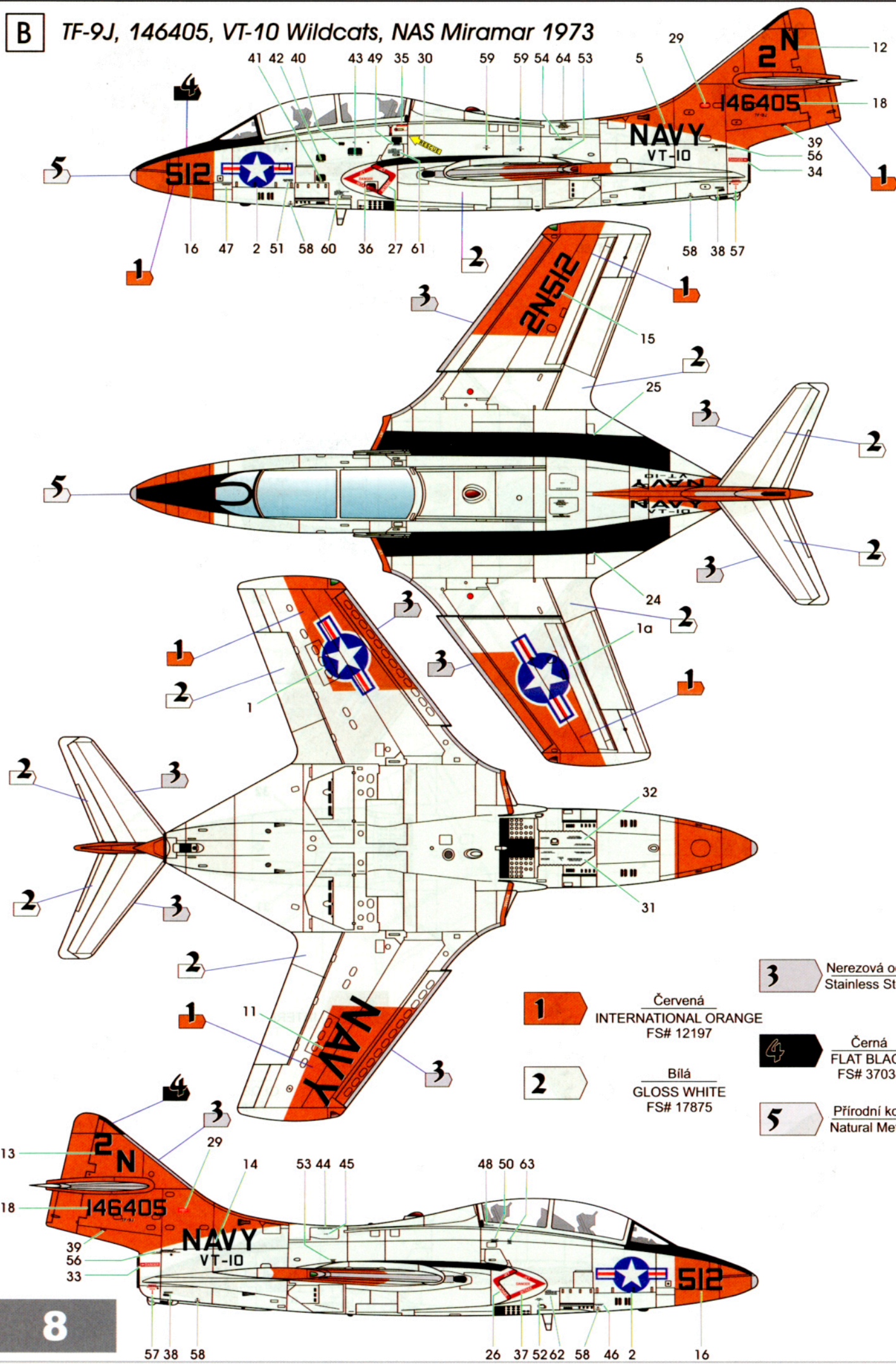
**4** Černá  
FLAT BLACK  
FS# 37038

**2** Bílá  
GLOSS WHITE  
FS# 17875

**5** Přírodní kov  
Natural Metal

**B**

TF-9J, 146405, VT-10 Wildcats, NAS Miramar 1973



**3** Nerezová ocel  
Stainless Steel

**1** Červená  
INTERNATIONAL ORANGE  
FS# 12197

**4** Černá  
FLAT BLACK  
FS# 37038

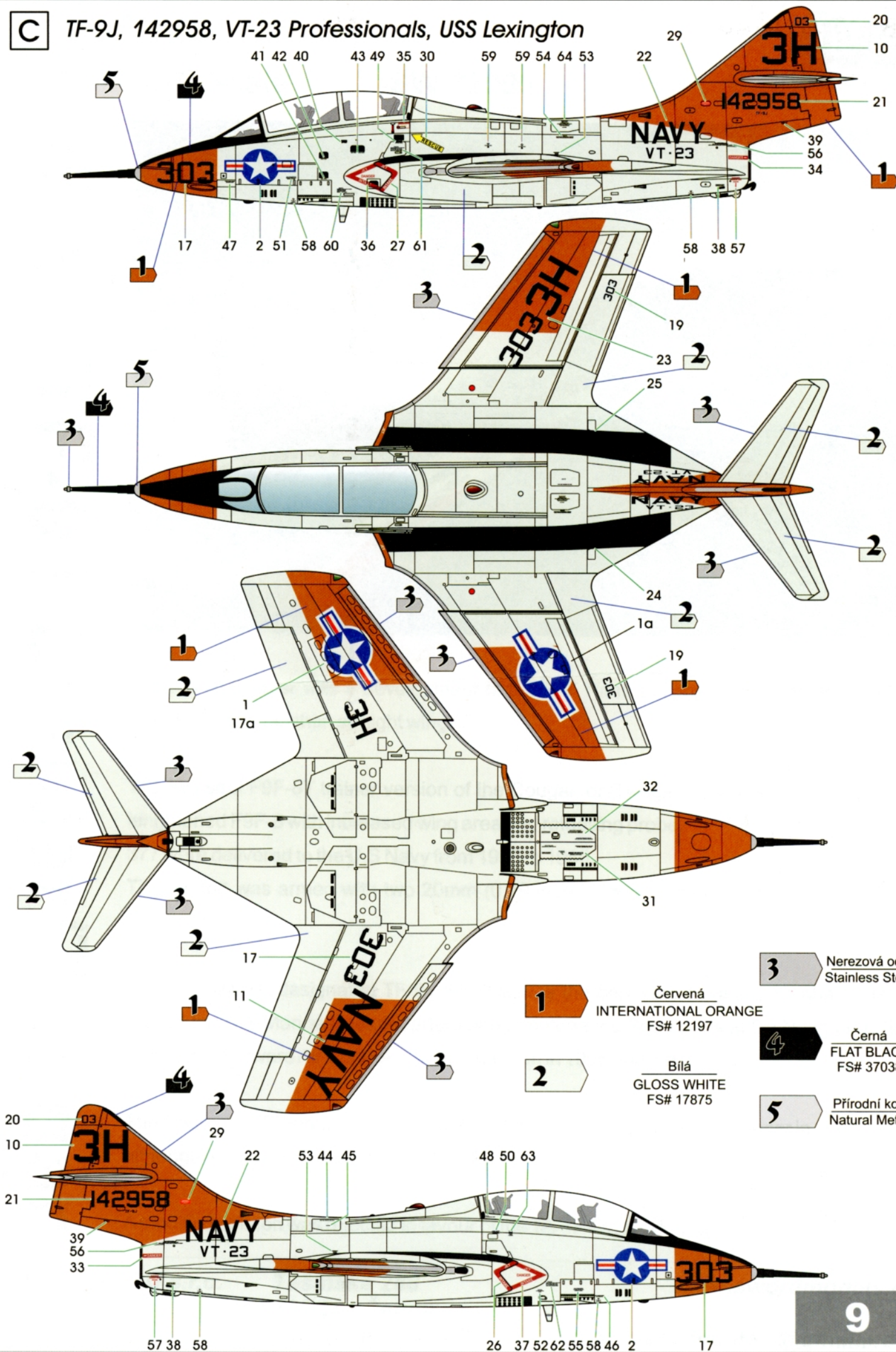
**2** Bílá  
GLOSS WHITE  
FS# 17875

**5** Přírodní kov  
Natural Metal

**8**



**C** TF-9J, 142958, VT-23 Professionals, USS Lexington



- 3** Nerezová ocel  
Stainless Steel
- 1** Červená  
INTERNATIONAL ORANGE  
FS# 12197
- 2** Bílá  
GLOSS WHITE  
FS# 17875
- 4** Černá  
FLAT BLACK  
FS# 37038
- 5** Přírodní kov  
Natural Metal