

BMP-3(UAE) w/ERA tiles and combined screens

阿联酋陆军BMP-3附加装甲型

READ BEFORE ASSEMBLY:

- Study and understand these instructions thoroughly before beginning assembly
- When needed, remove photo-etch parts carefully using a modeling knife or photo etch sprue cutter, being careful not to damage or lose small parts.
- Take extra care in handling photo etch parts in order to avoid injury
- Apply instant cement sparingly to photo etch parts where instructed
- Tools recommended(not included in kit):Plastic and instant cements, sprue cutters,long nose pliers,modeling knife, small files, tweezers, pin vise & scissors. Soft cloth and sandpaper will also assist in construction
- Glue and paint are not included in the kit. Use plastic cement and hobby paints only. Color guide for purchasing paint is included in the kit.

装配之前仔细阅读

- 小心用模型锉刀锉平所有零件表面的注射浇口。
- 小心用刀片切下蚀刻片零件，不要遗失小零件。
- 用强力快干胶水粘合蚀刻片零件和金属轴。过量快干胶水使用可能导致可动零件会粘住，小心涂胶。
- 取蚀刻片时应特别注意安全，防止利边划伤手指。
- 某些零件表面需贴水上贴纸，请选择在装配的同时进行。
- 推荐模型工具(自备)：胶水，水口剪刀，长咀钳，刀片，锉刀，镊子，钳，钻，剪刀，瞬间快干胶。
- 软布同砂纸同时也应该是必备工具。
- 请使用塑料胶水和油漆，模型内不含。



配重
Weight



使用强力胶
Cyanoacrylate glue



钻孔
Make hole



切除
Cut / Remove



贴纸
Decal



锉平
File / Sand



选择
Option



不涂胶水
No cement



弯曲
Bend

水贴纸的使用:

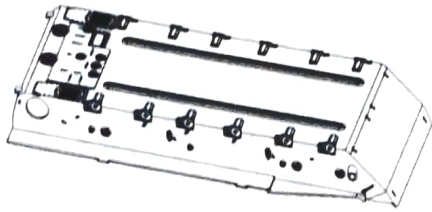
- 1.从水贴上剪下印花;
- 2.将印花放入温水中浸10秒, 然后放在干净布上。
- 3.拿着印花纸板将印花移到模型上;
- 4.手指蘸水将印花移到适当的位置;
- 5.用软布轻压印花直至水干, 气泡消失

DECAL APPLICATION

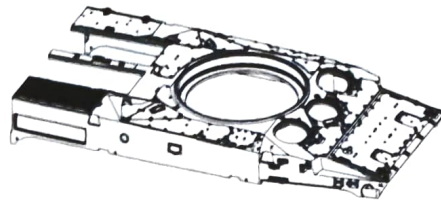
- 1.Cut decals from sheet as needed
- 2.Dip the decal in warm water for about 10 seconds and then place on soft clean cloth.
- 3.Hold the decal backing sheet edge and gently slide the decal onto the model in its proper position.
- 4.While still wet,decal can be adjusted for better fit on model by dampening it gently with your finger.
- 5.When placed in the proper position,gently press decal down with a soft cloth until excess water and air bubbles are gone.
- 6.Allow decal to dry completely before handling model

部品图 Parts

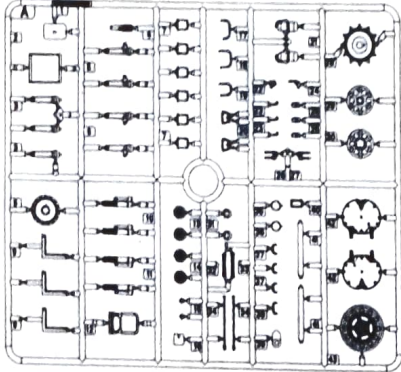
《车底》 Lower hull



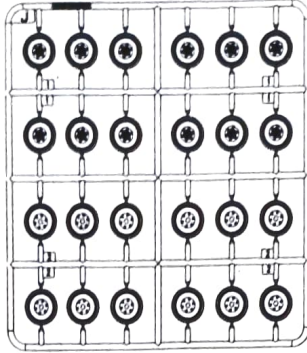
《车面》 Upper hull



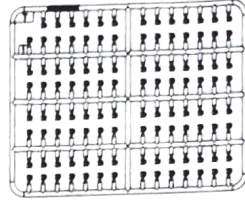
Ax2



J



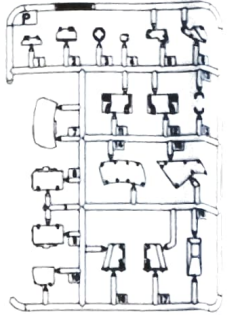
Tx2



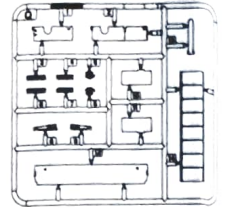
《炮塔》 Turret



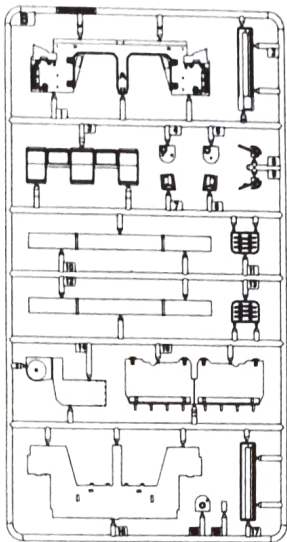
P



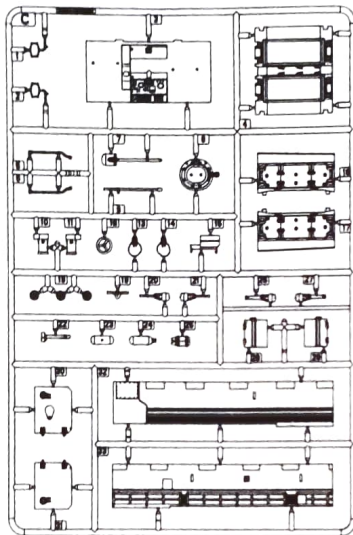
Q



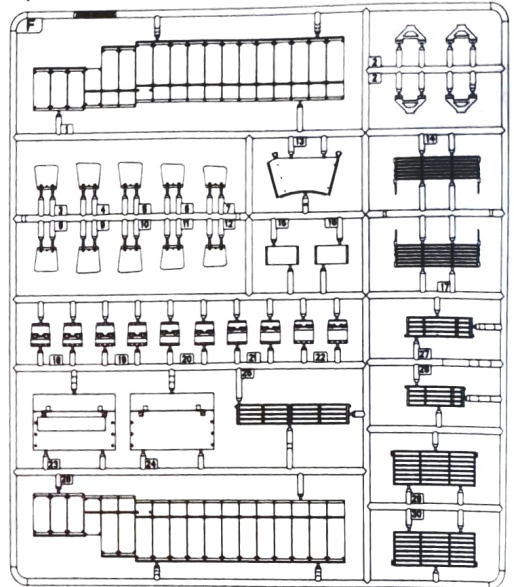
B



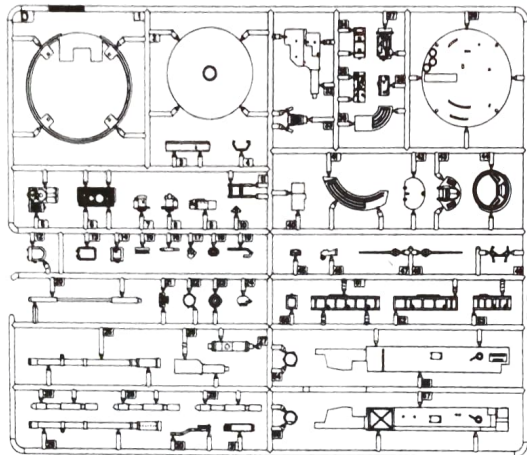
C



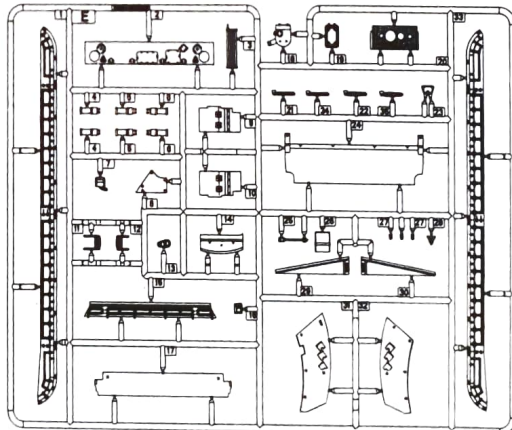
F



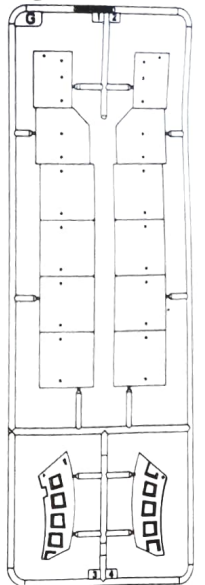
D



E



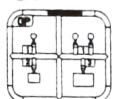
G



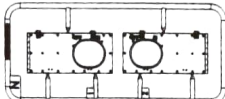
《履带》 Track X90



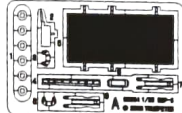
GP



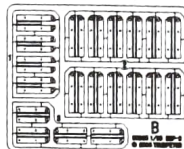
N



PE-A



PE-B

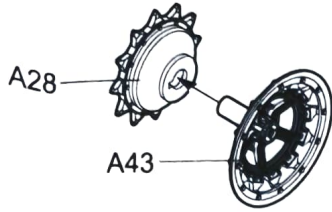


《水贴》 Decal



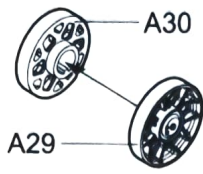
1

《主动轮》
Drive sprocket



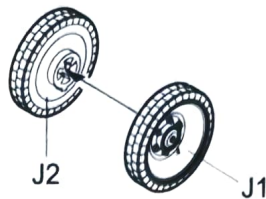
《制作2组》
Make two

《诱导轮》
Idler wheel

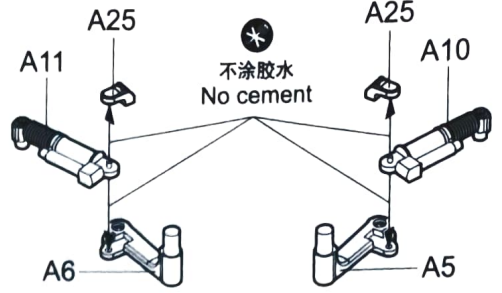


《制作2组》
Make two

《负重轮》
Road wheel



《制作12组》
Make twelve



《A-A》

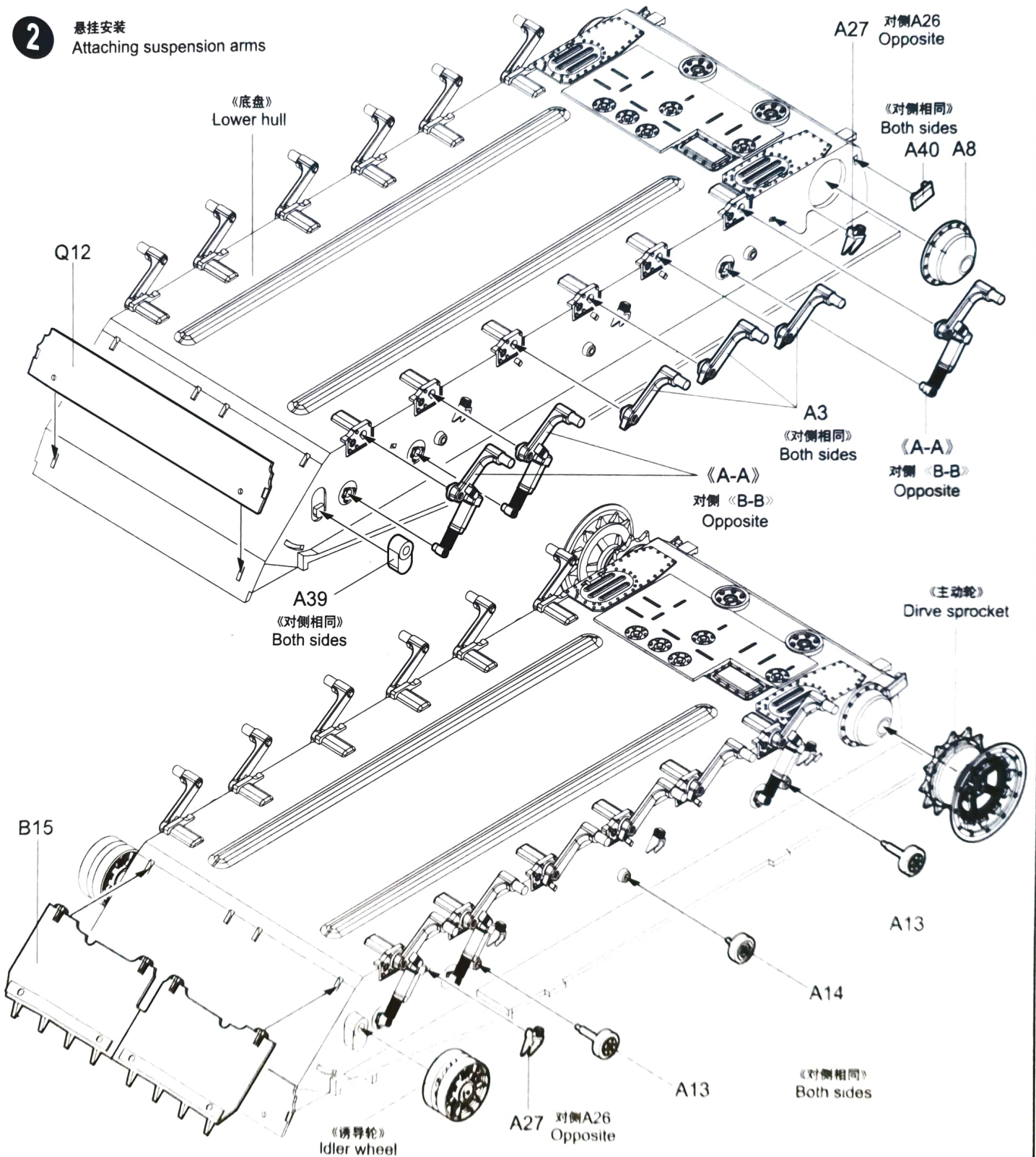
《制作3组》
Make three

《B-B》

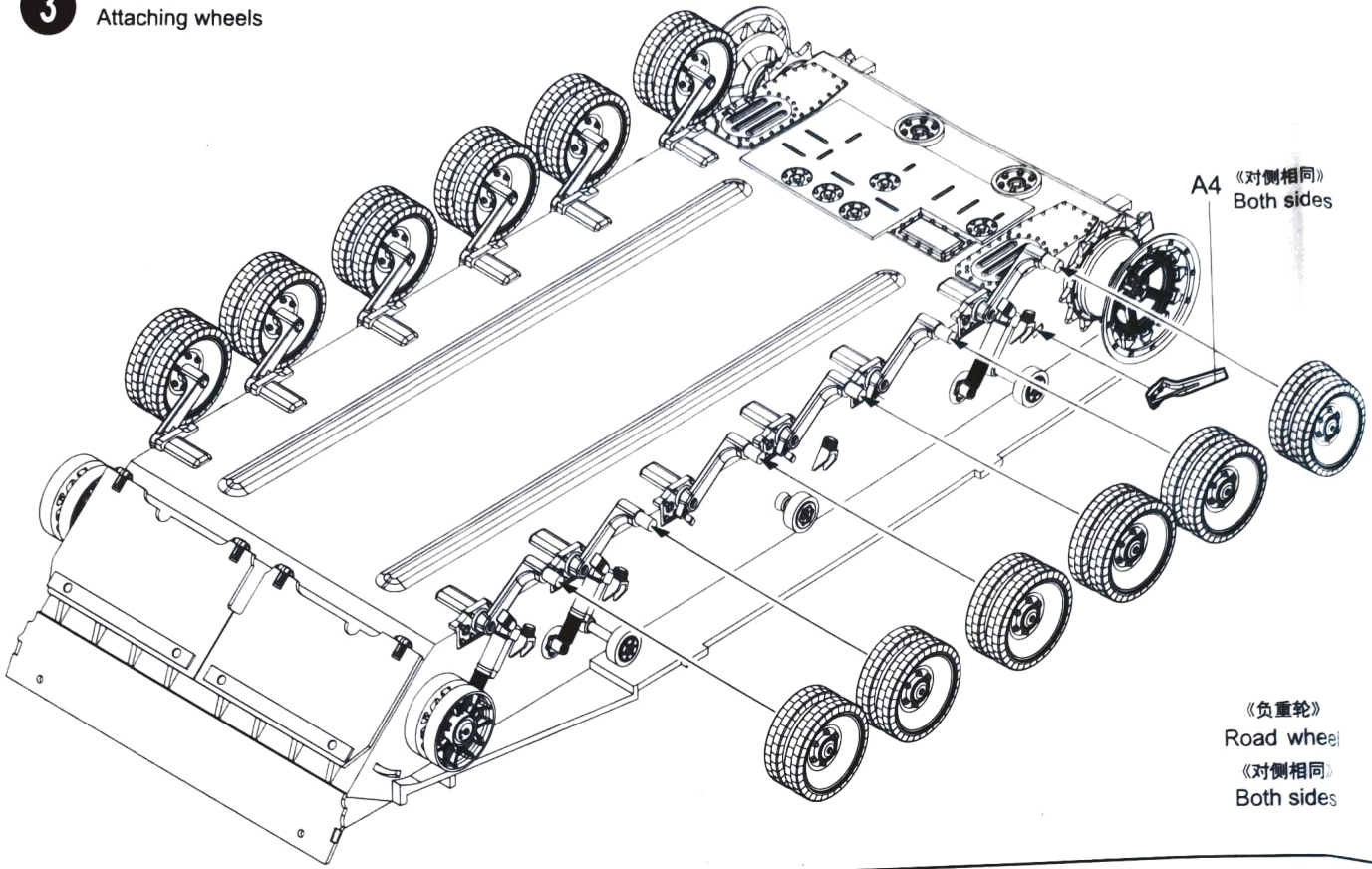
《制作3组》
Make three

2

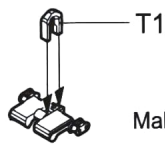
悬挂安装
Attaching suspension arms



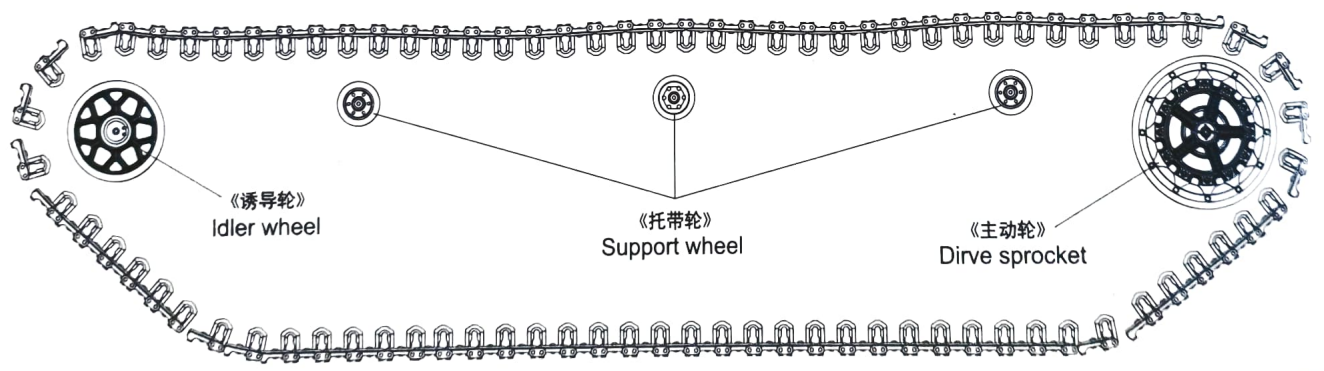
3 车轮安装
Attaching wheels



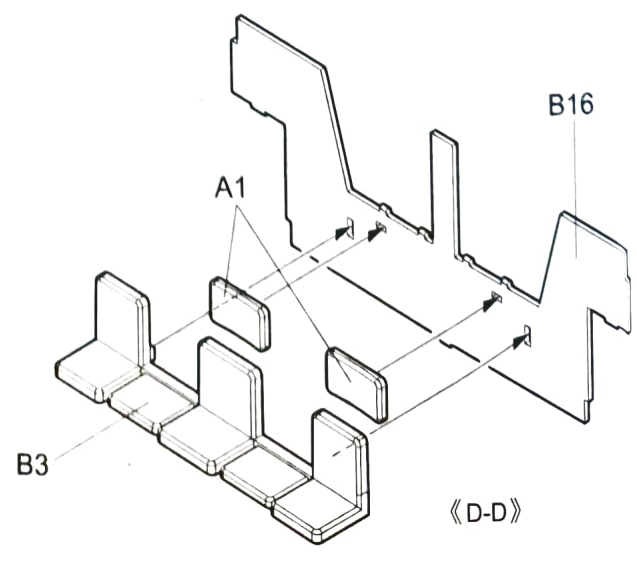
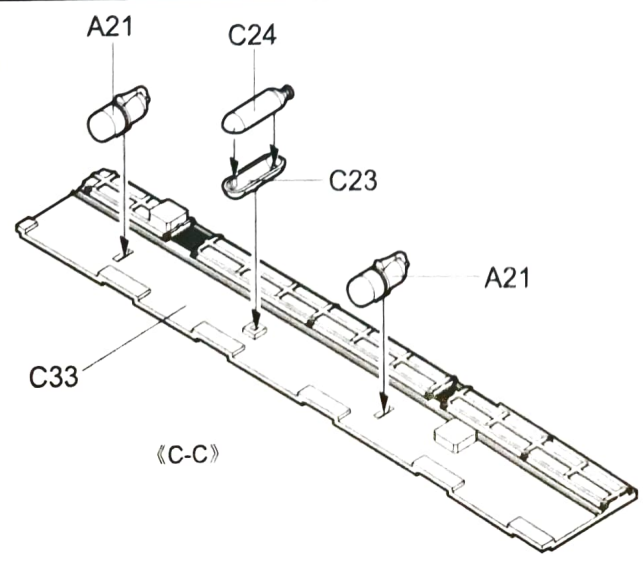
4 履带连接
Track installation



《制作168组》
Make one hundred and sixty-eight



5



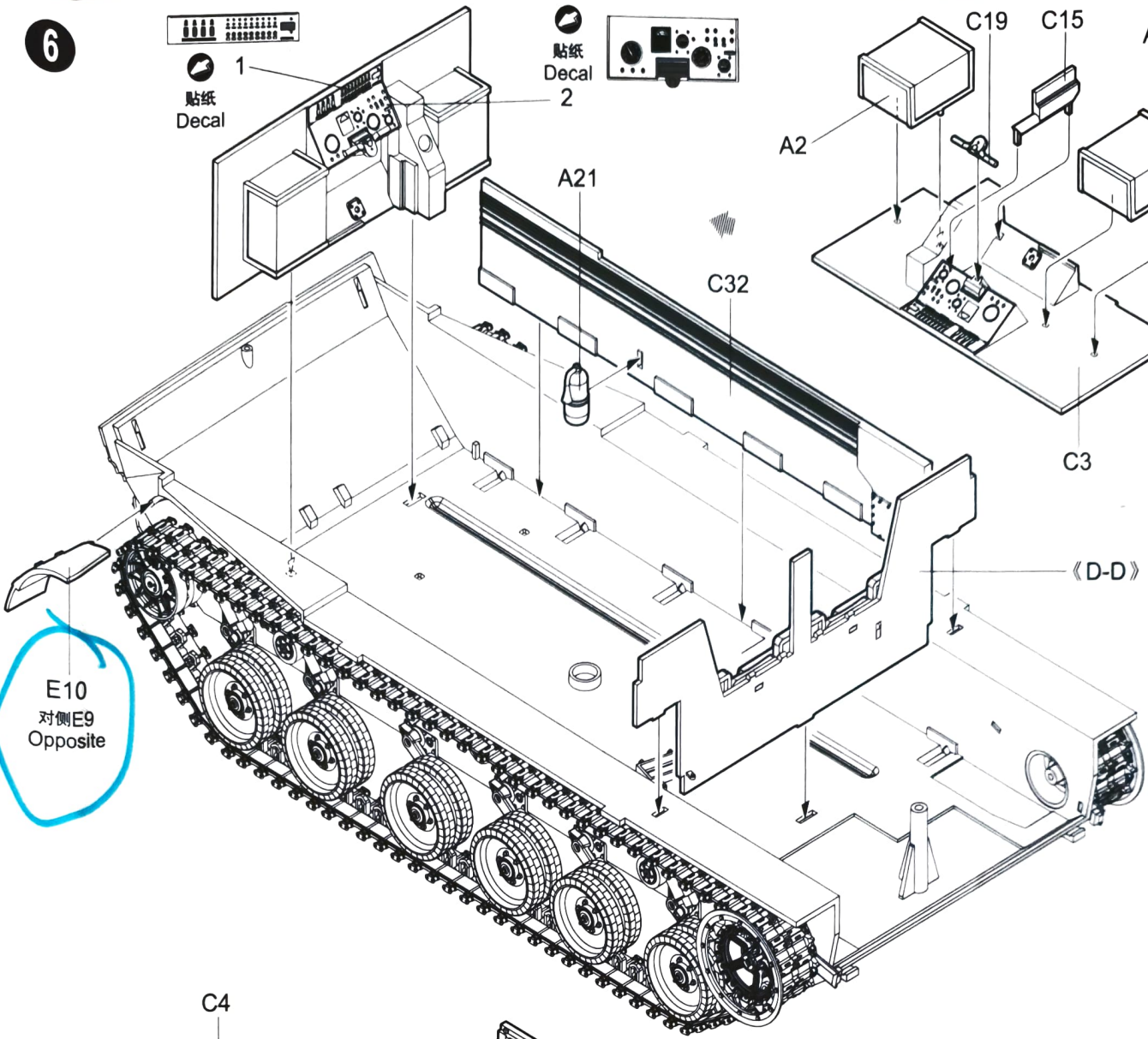
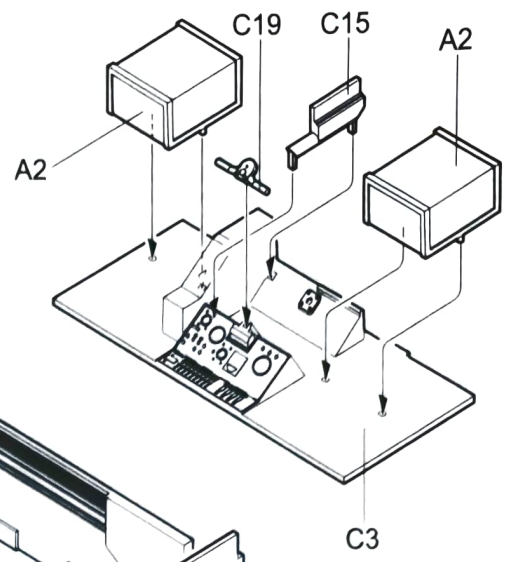
6



1
贴纸
Decal

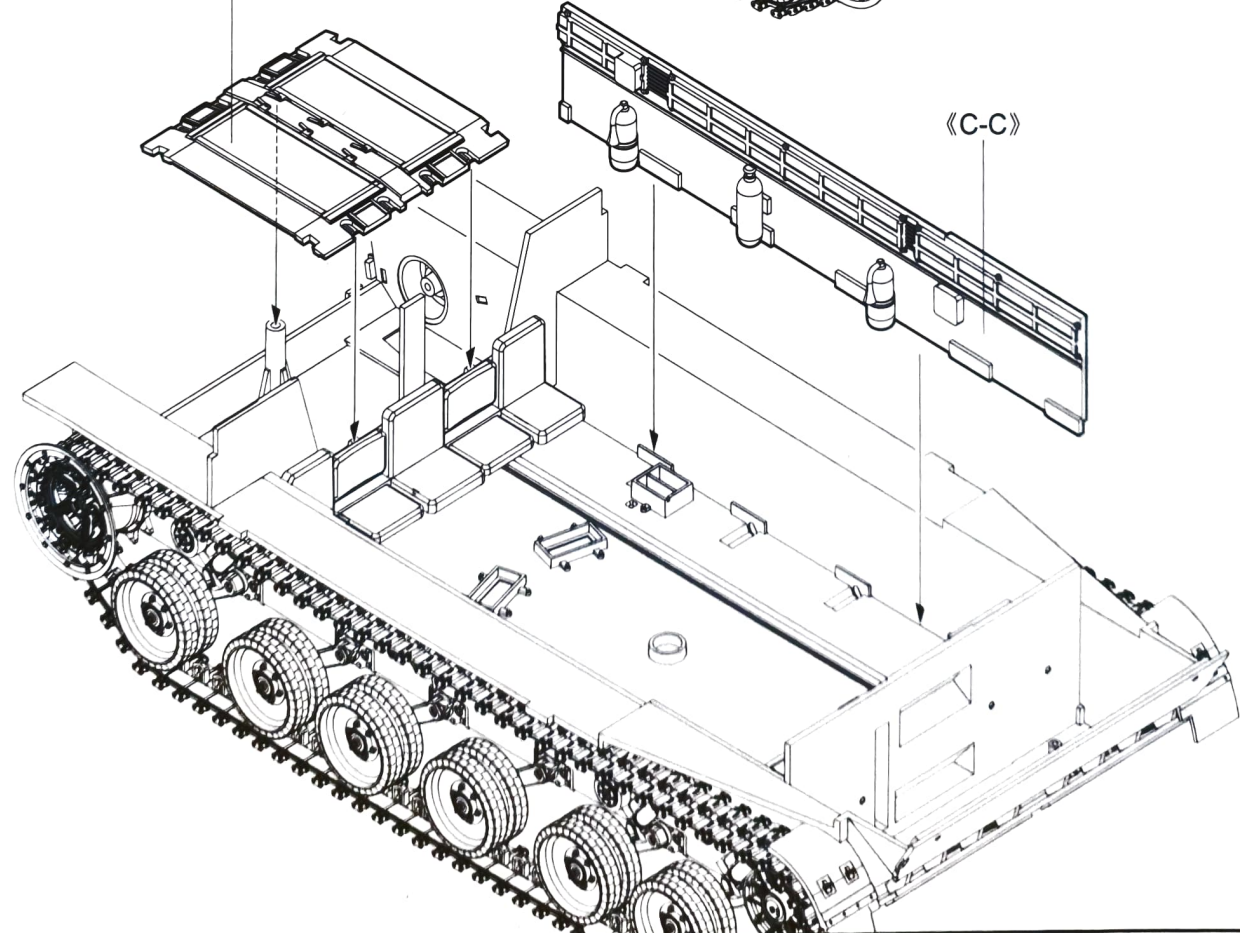


2
贴纸
Decal



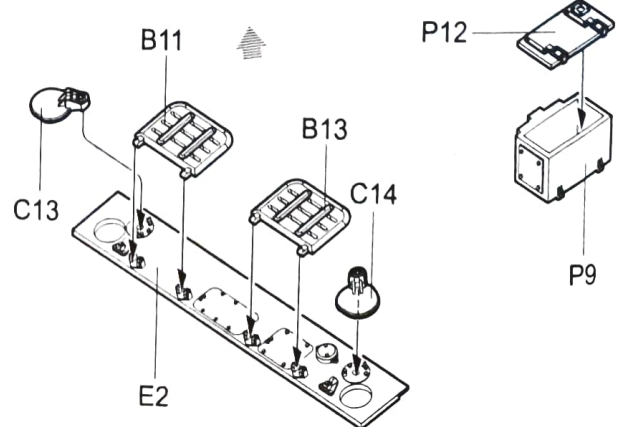
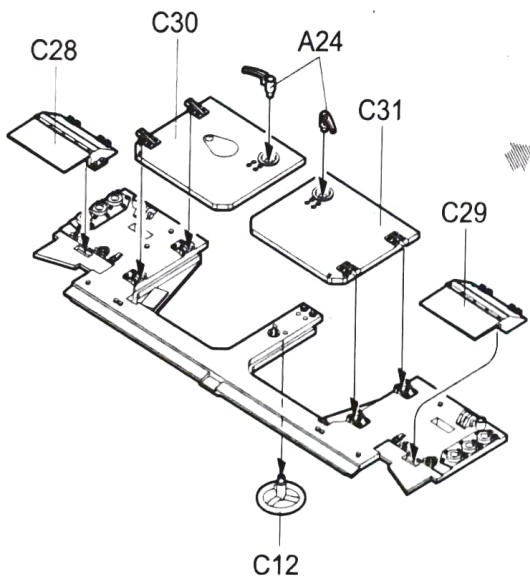
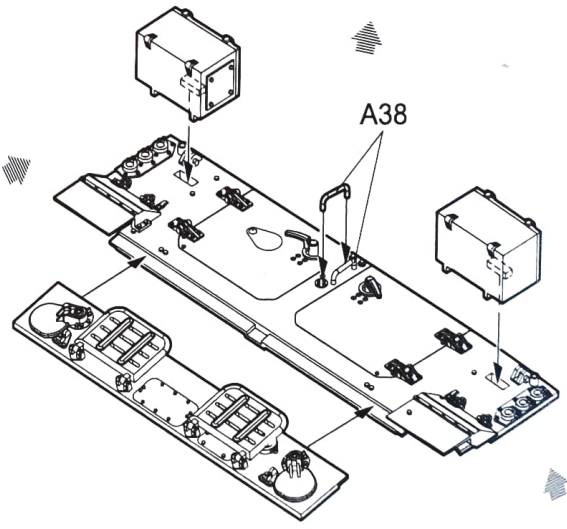
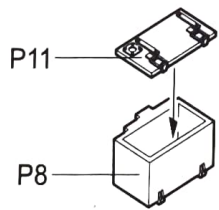
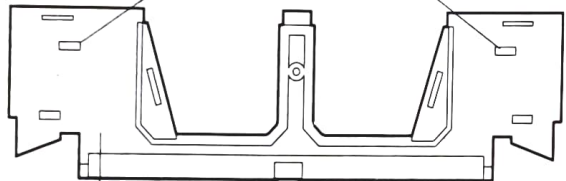
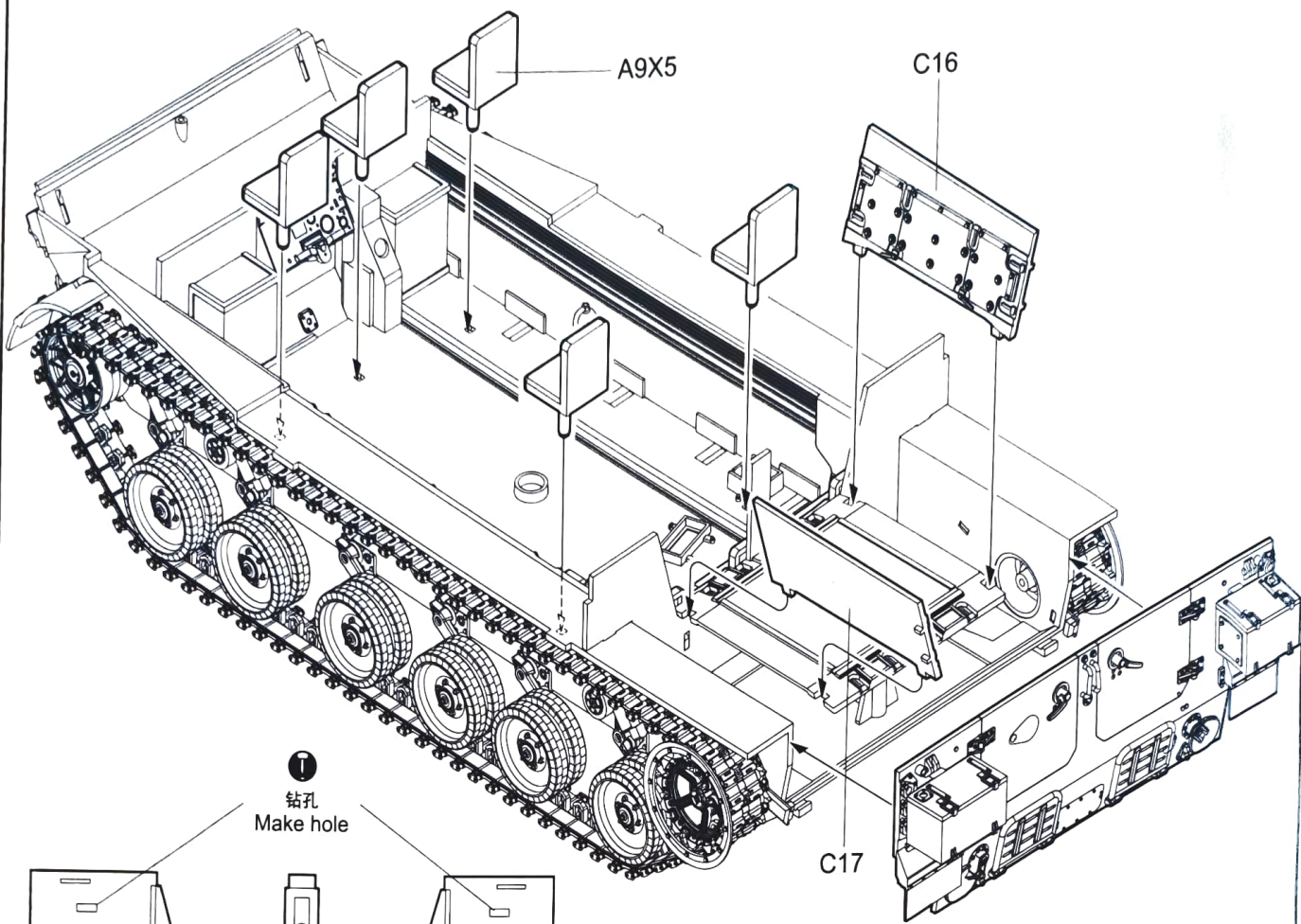
E10
对侧E9
Opposite

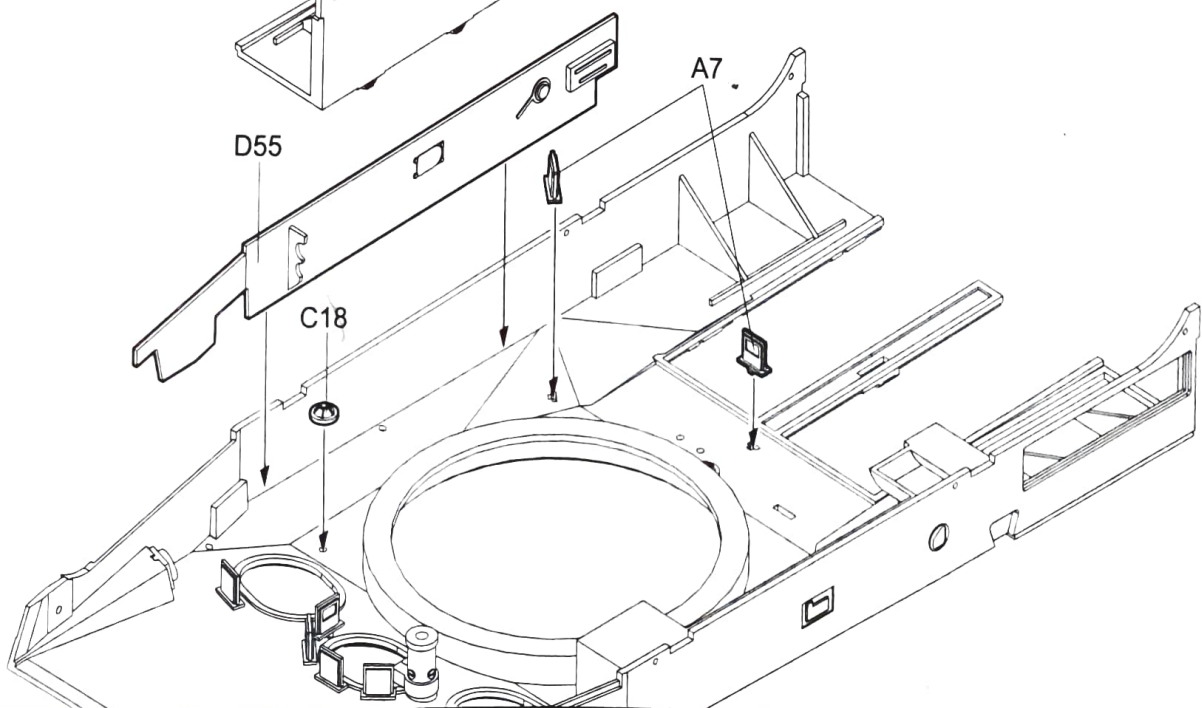
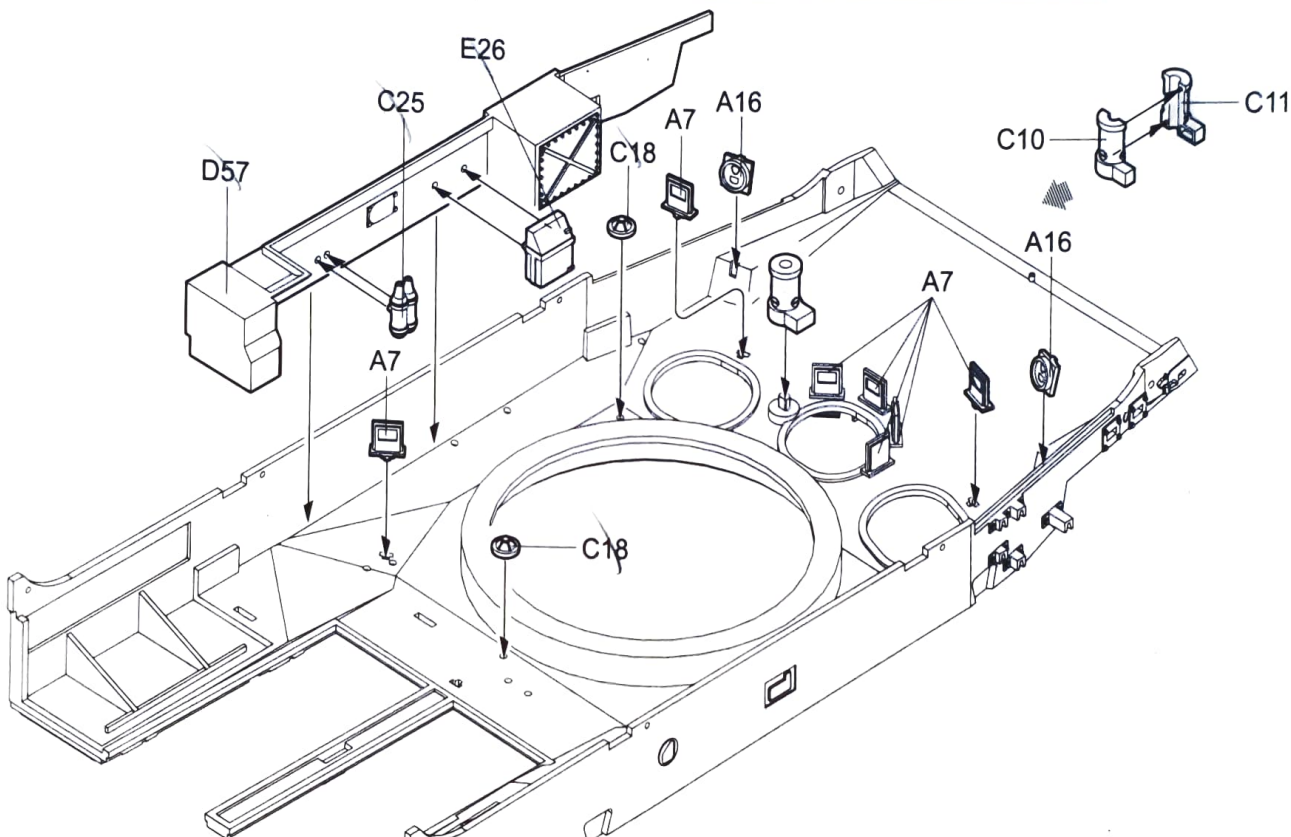
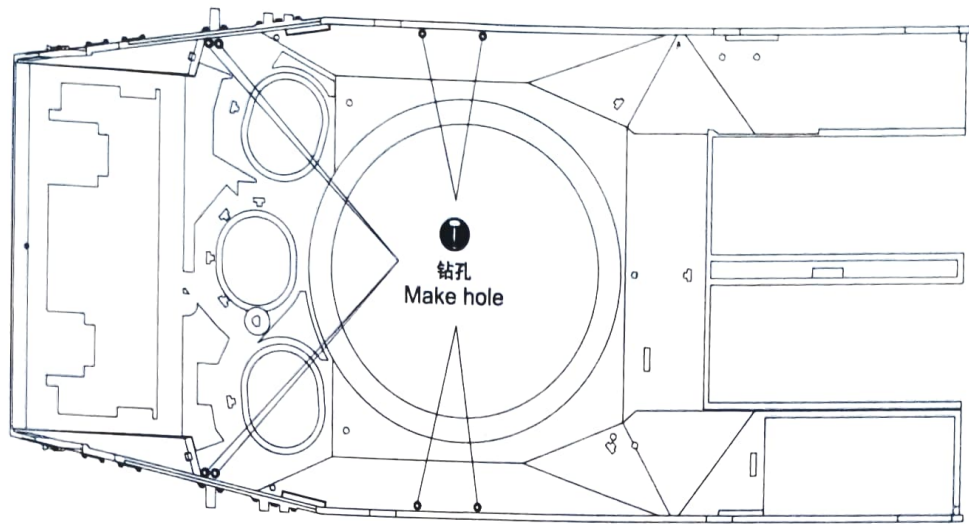
C4



<C-C>

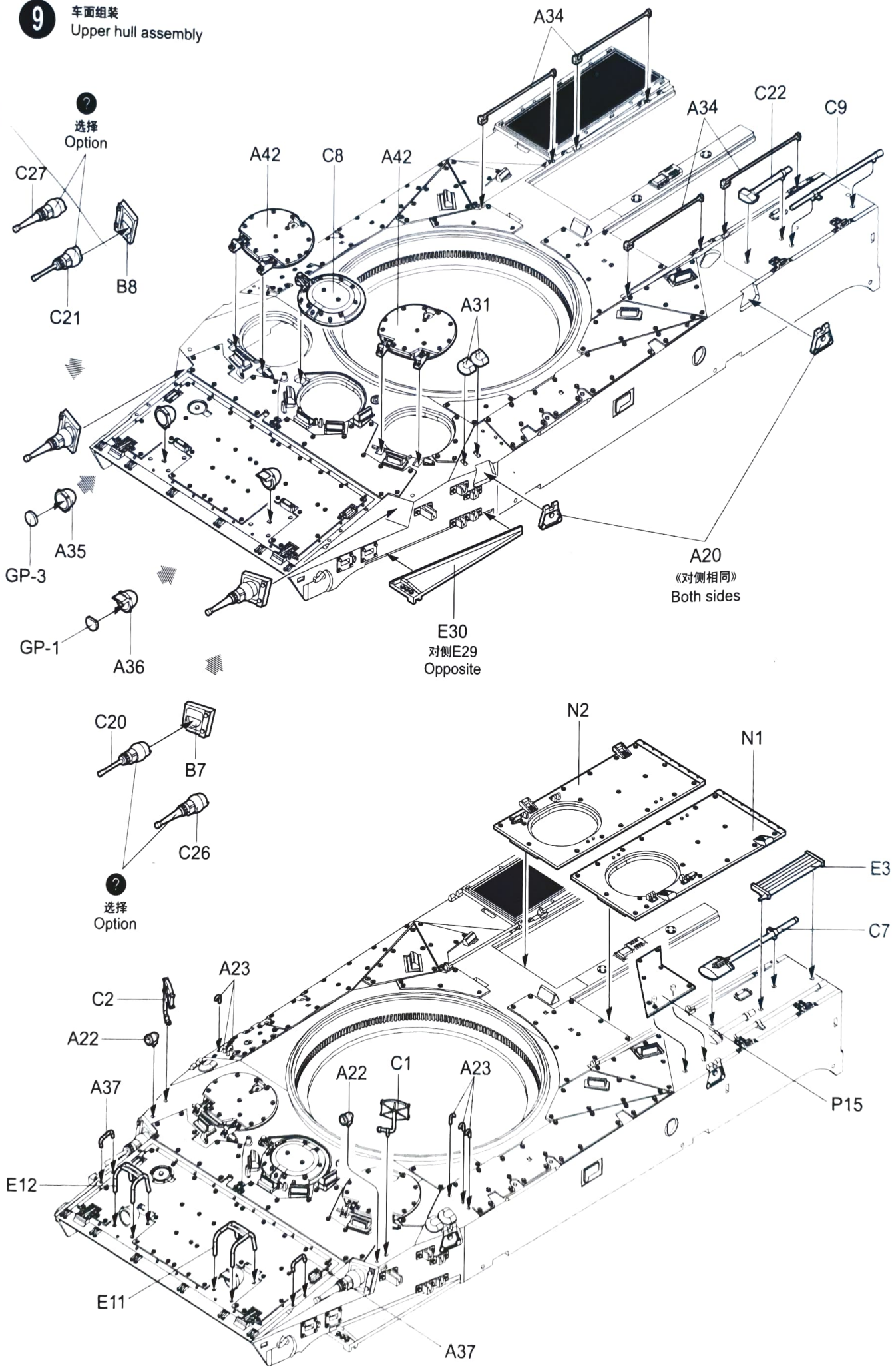
7





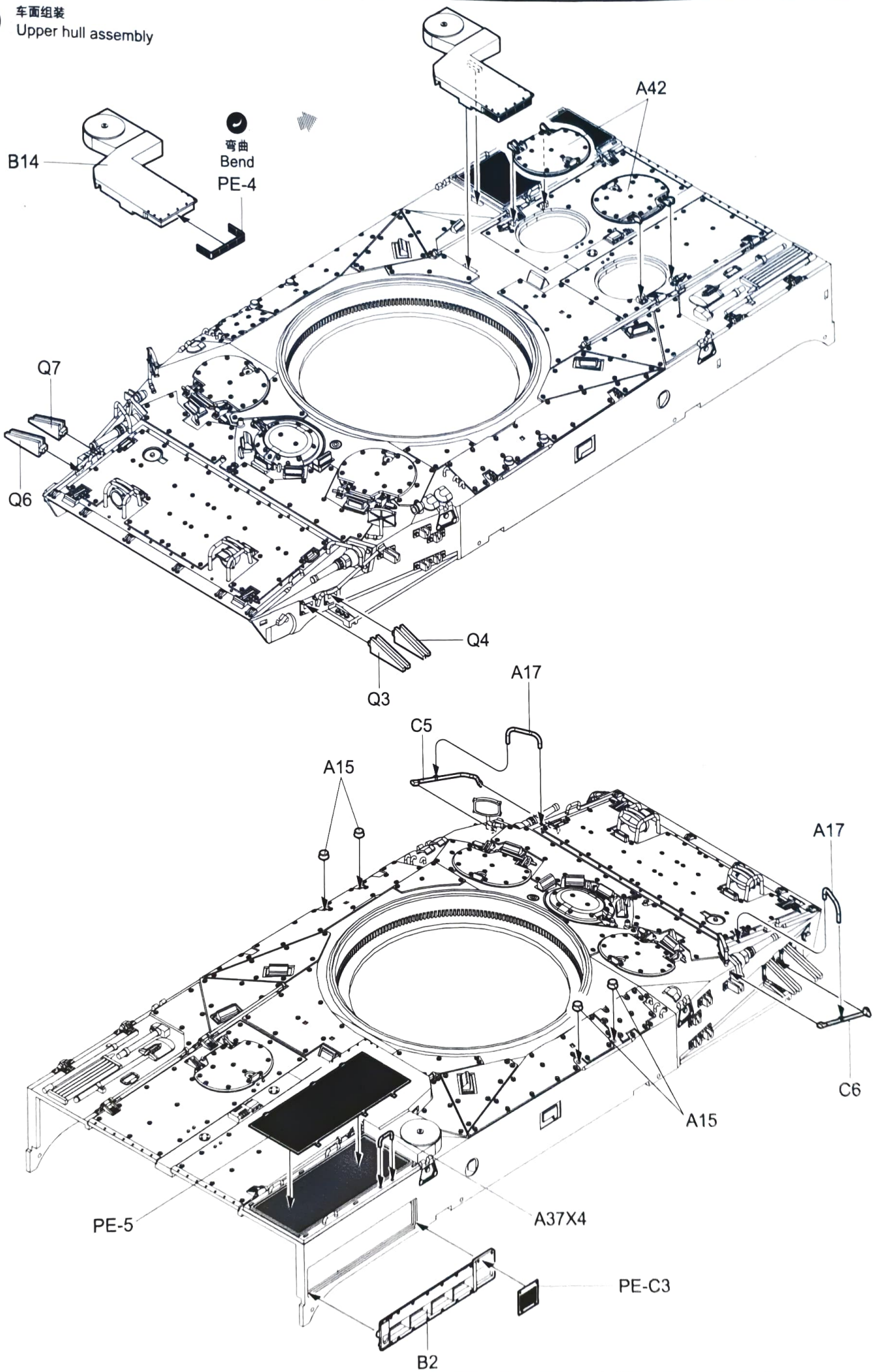
9

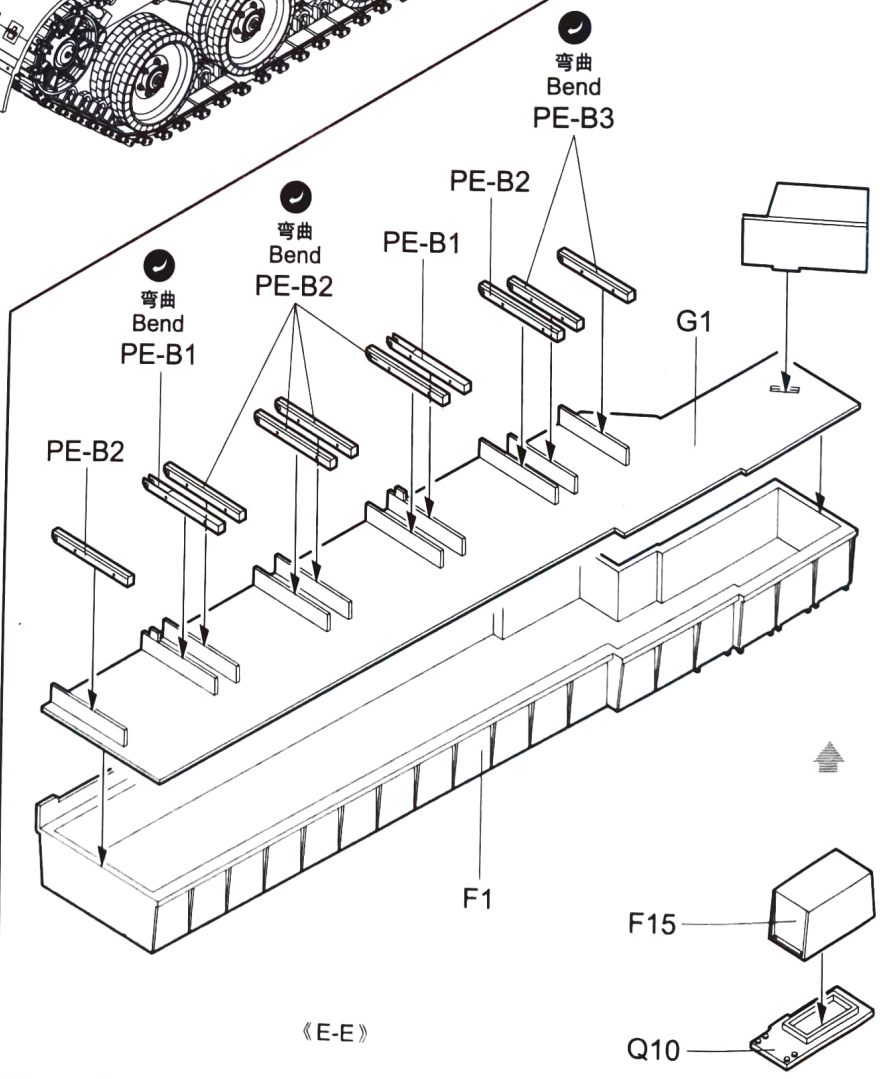
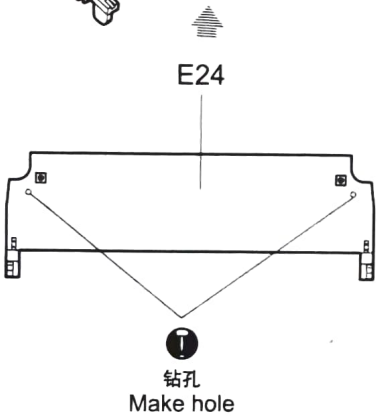
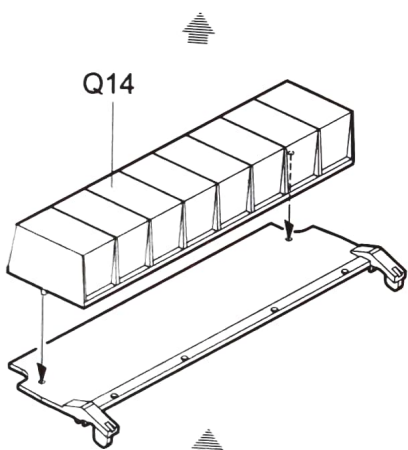
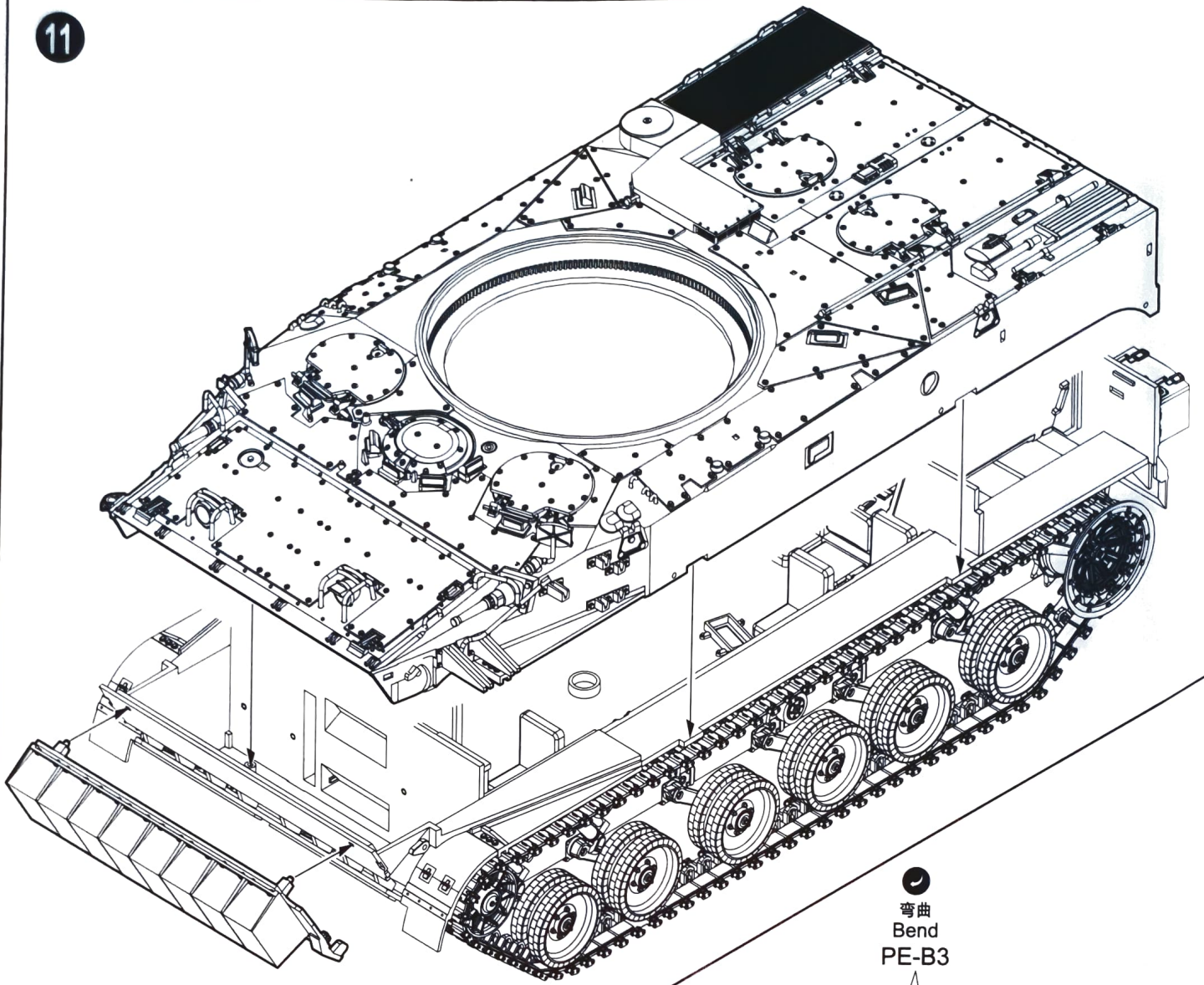
车面组装
Upper hull assembly

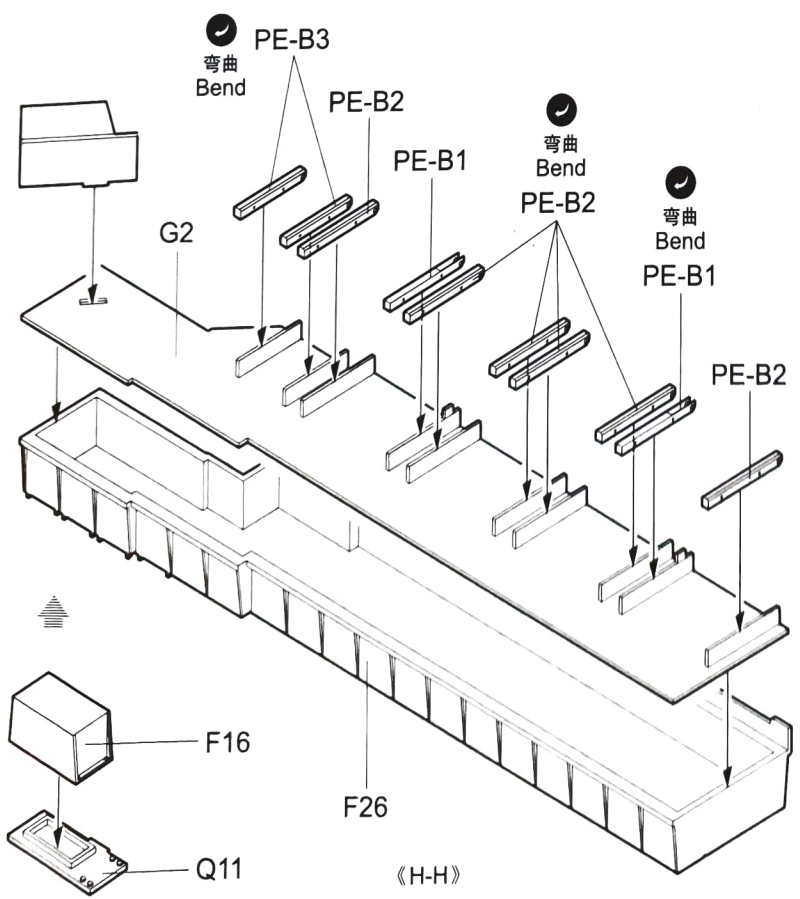
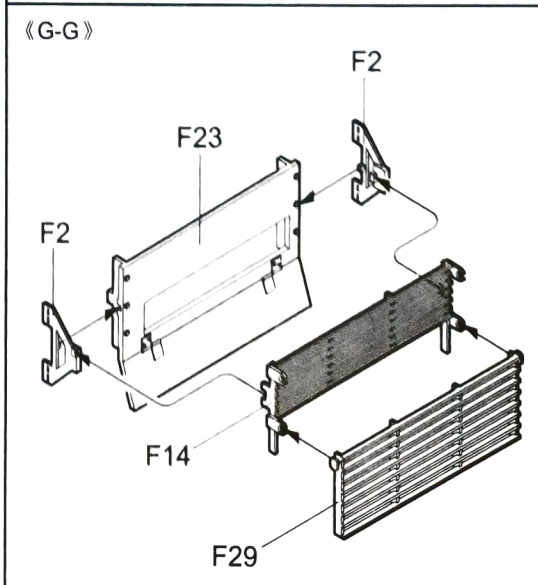
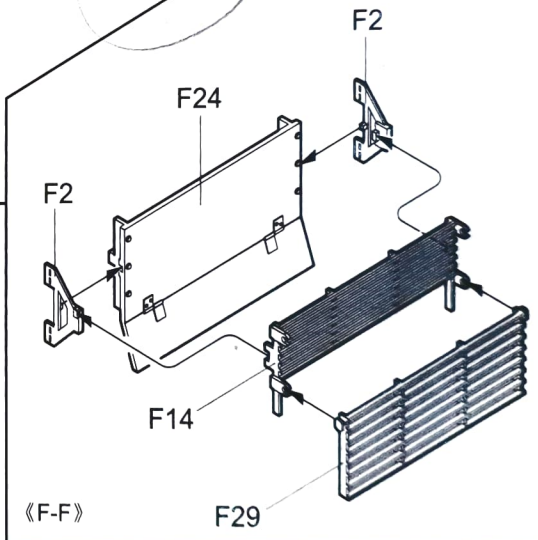
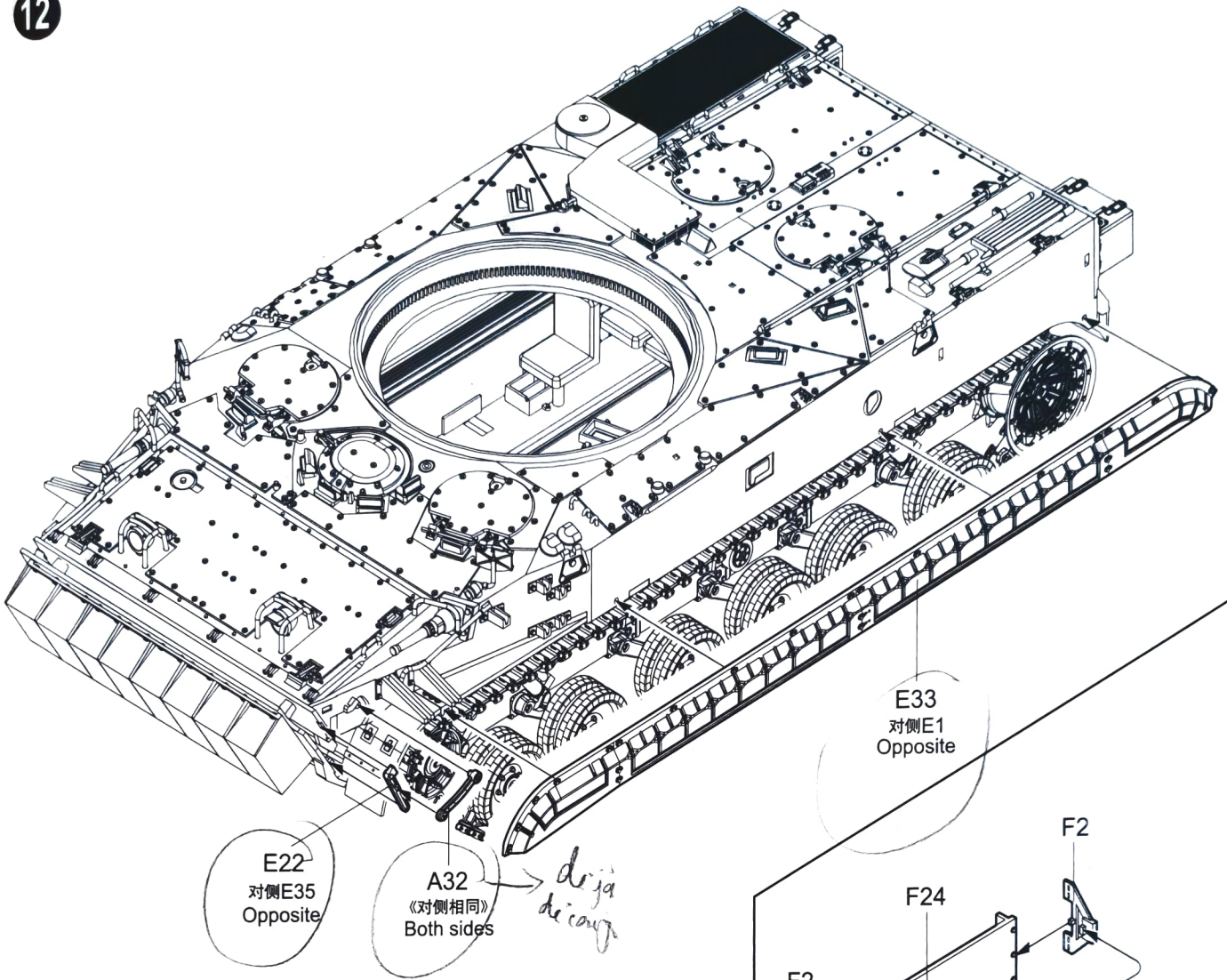


10

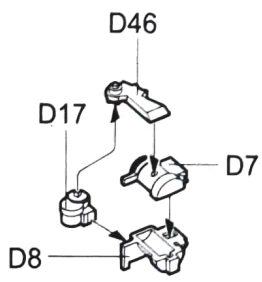
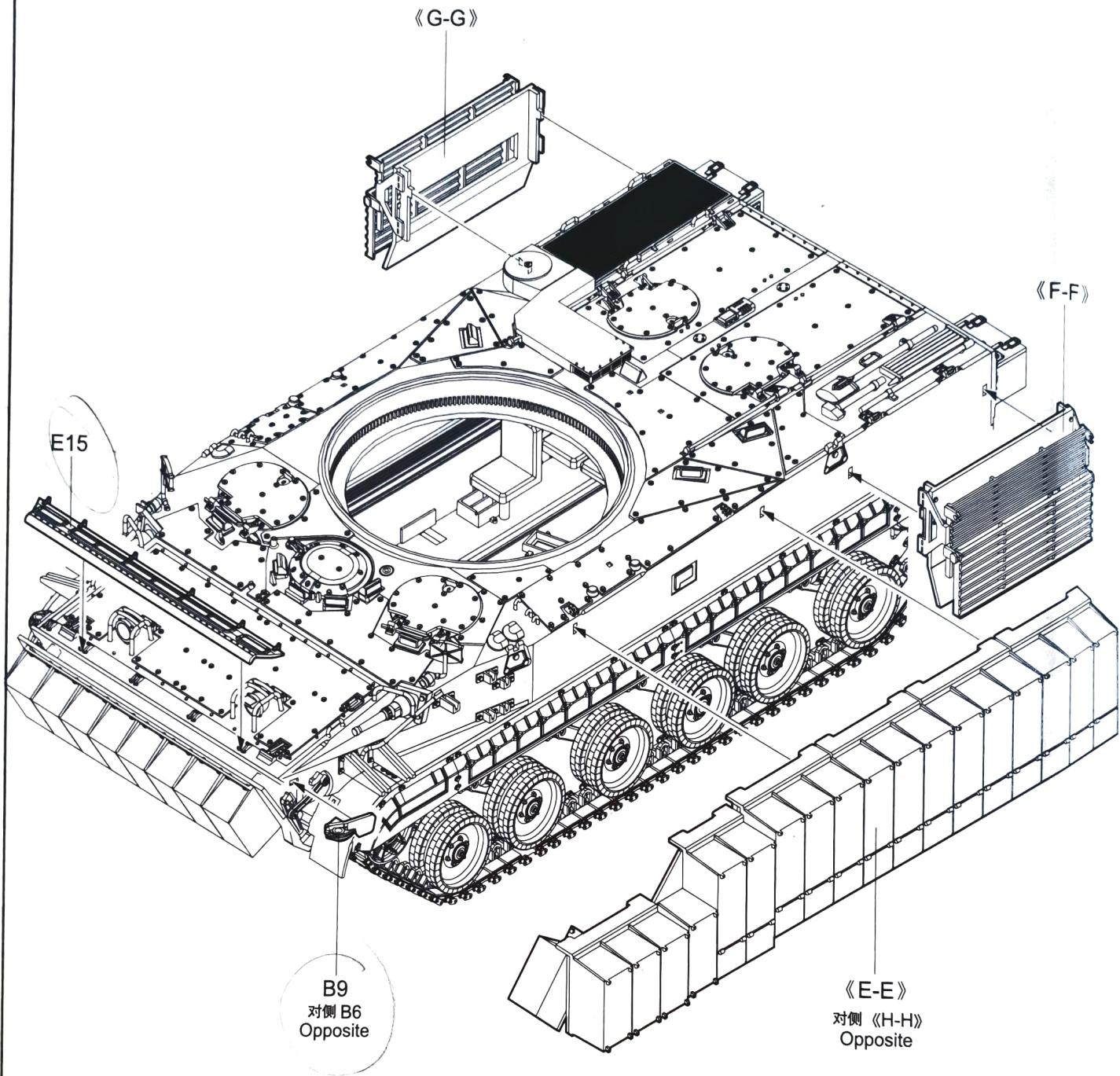
车面组装
Upper hull assembly



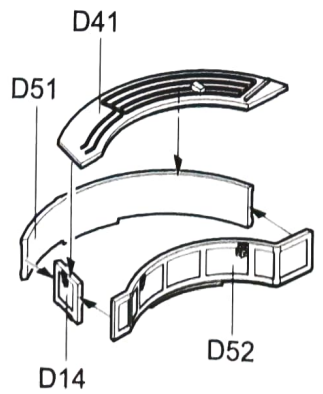




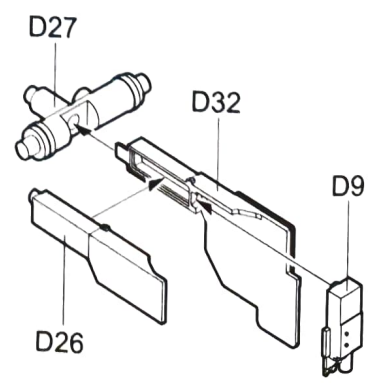
13



$\langle J-J \rangle$



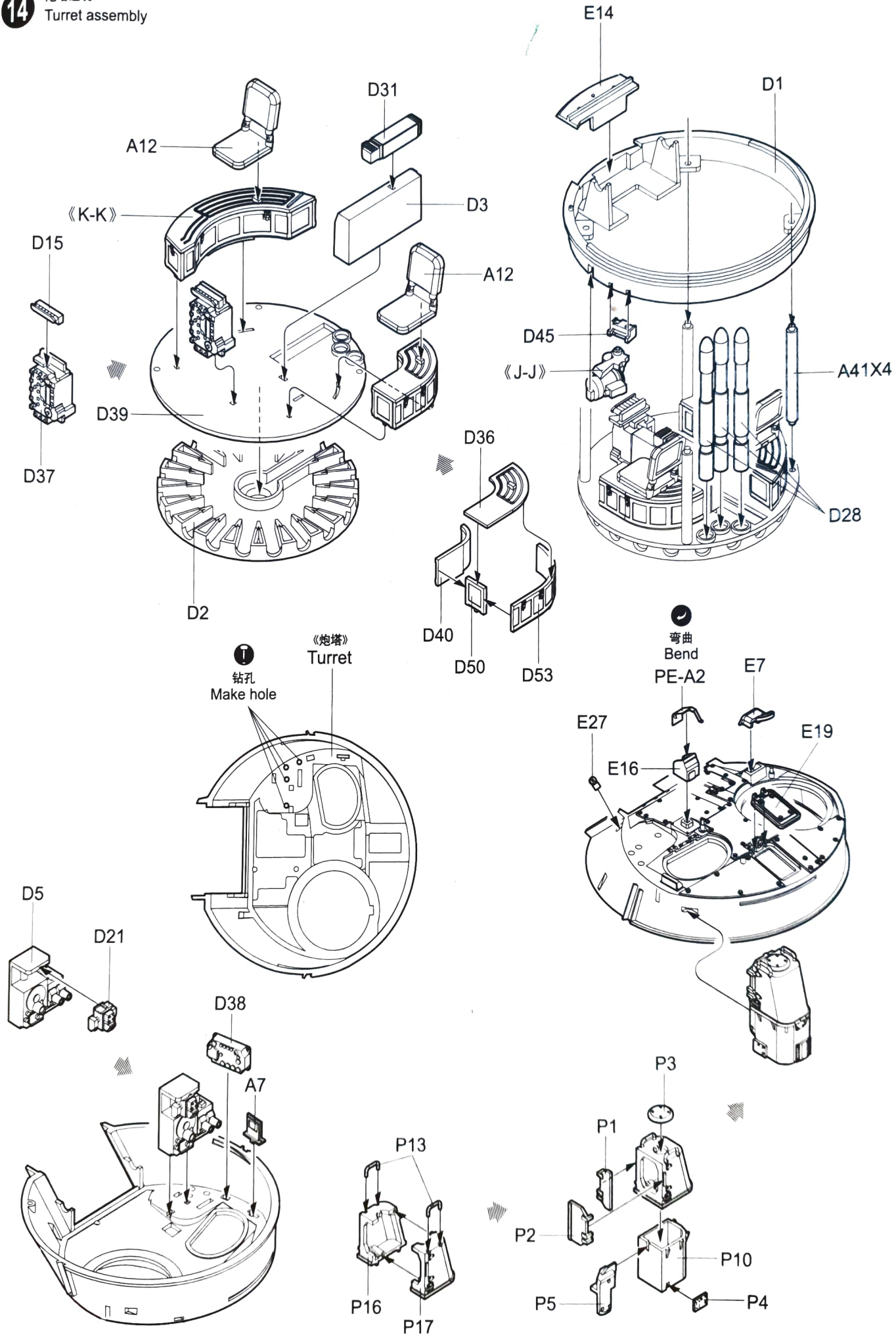
$\langle K-K \rangle$

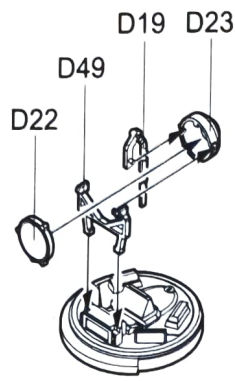
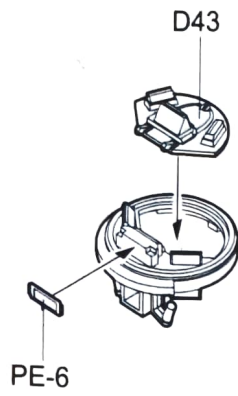
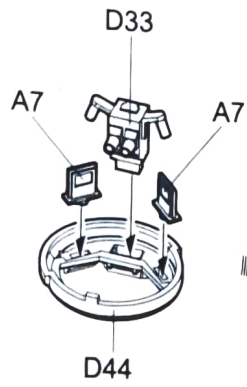


$\langle L-L \rangle$

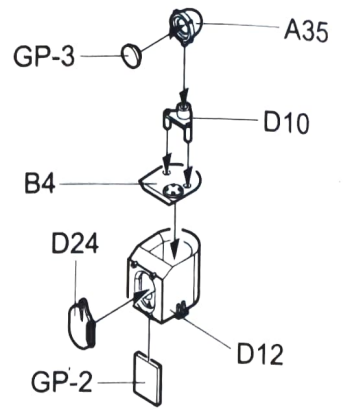
14

炮塔组装
Turret assembly





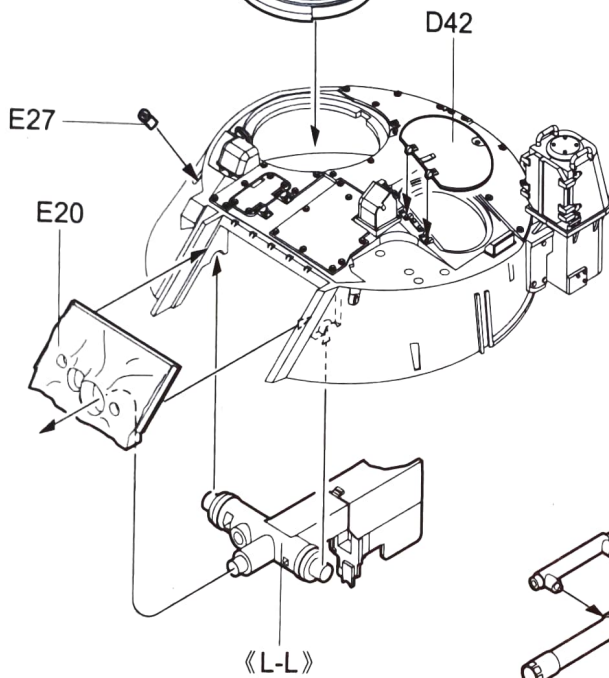
《M-M》



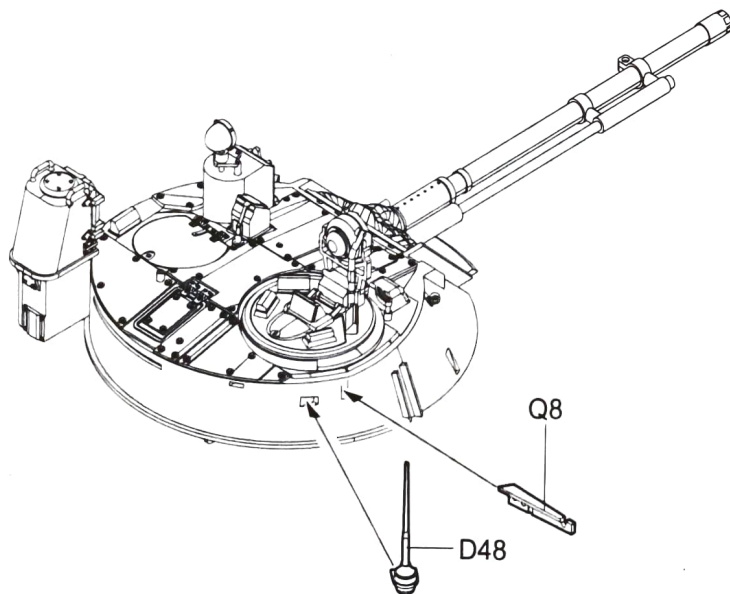
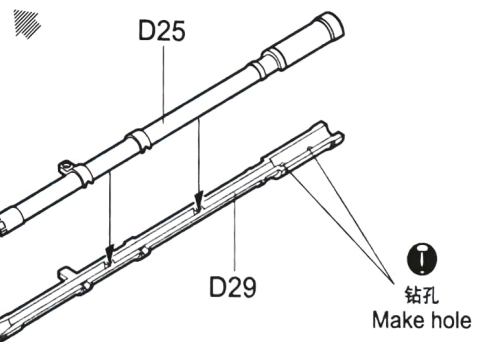
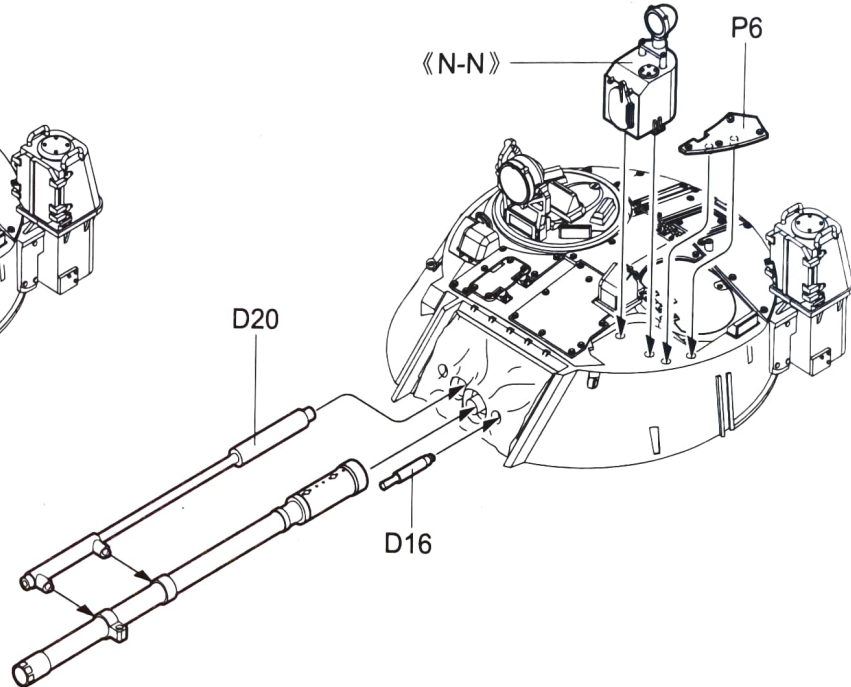
《N-N》

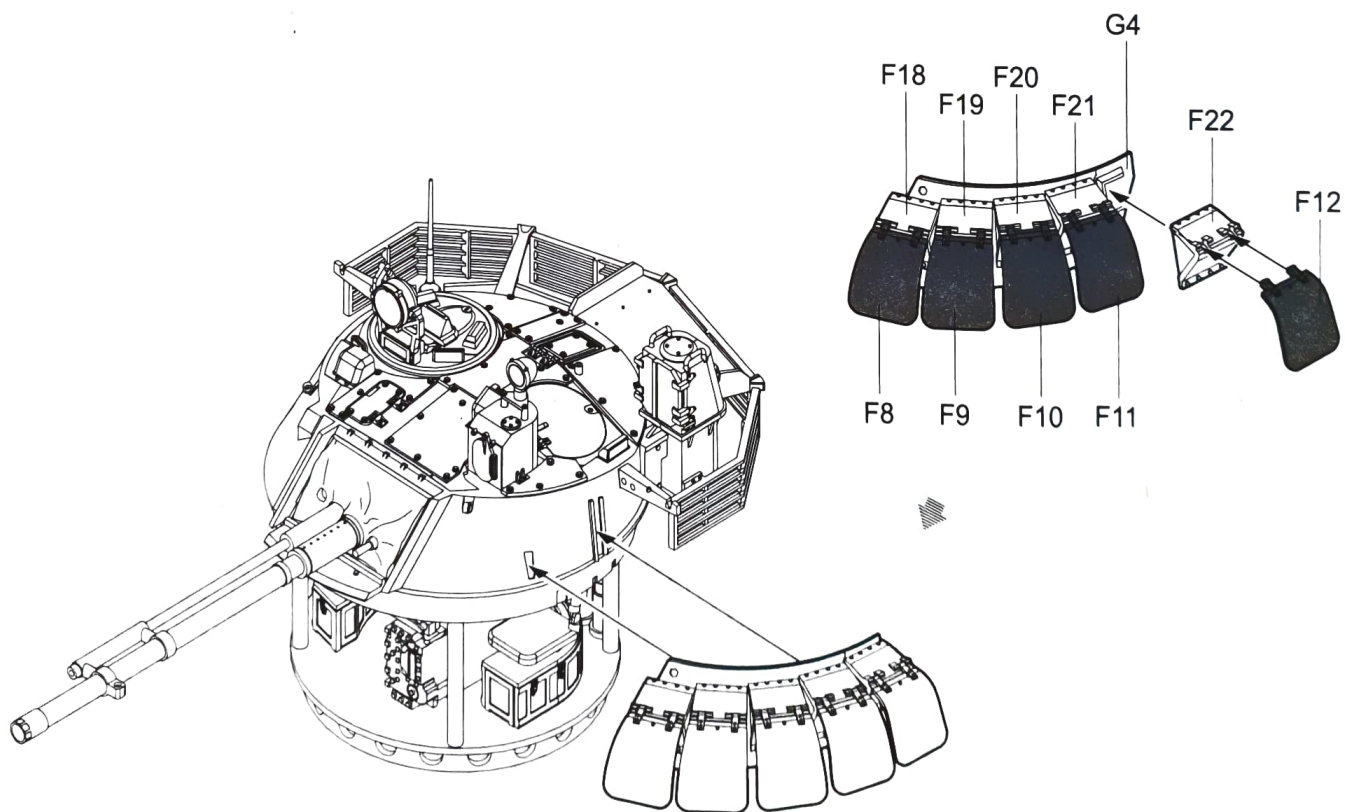
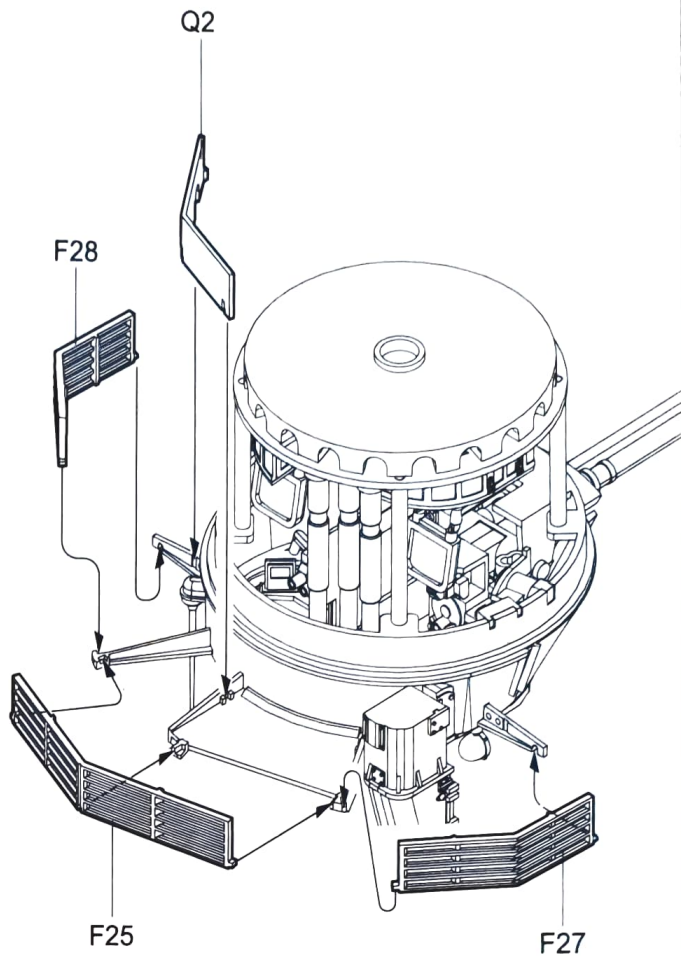
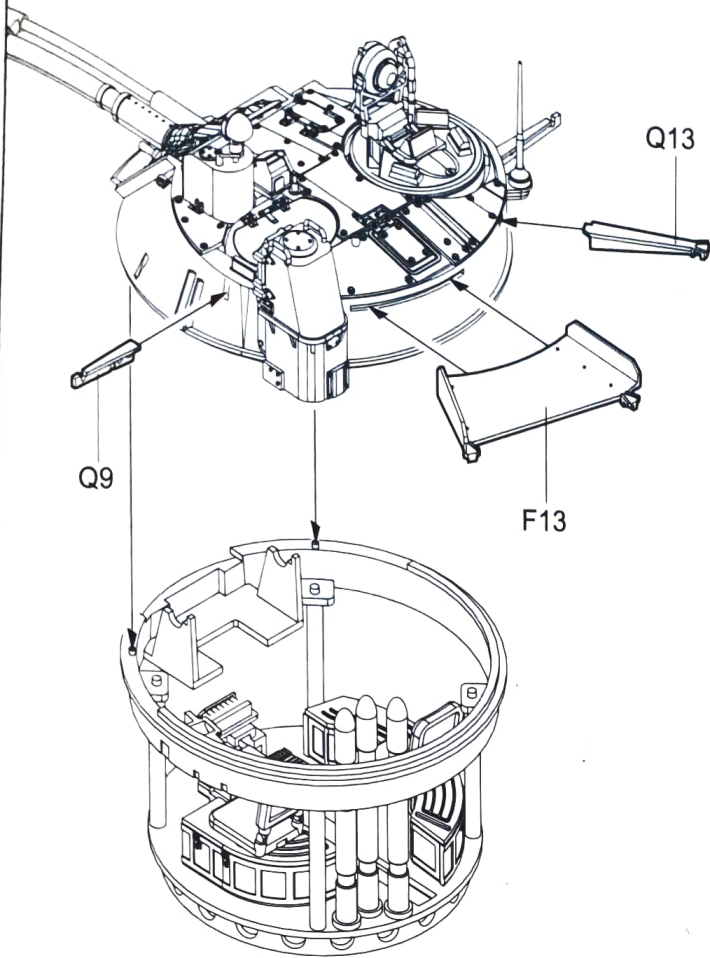
15

《M-M》

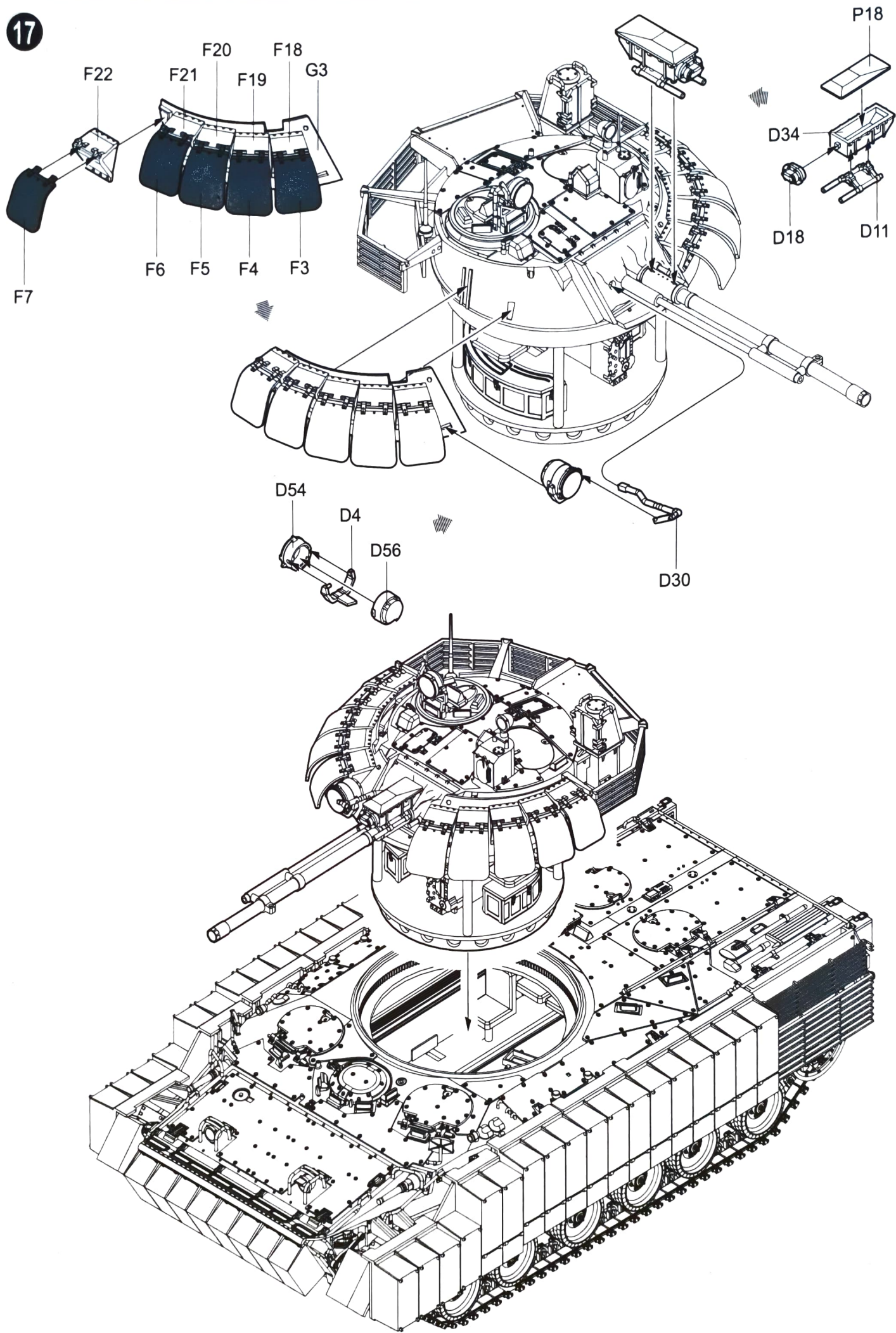


《N-N》





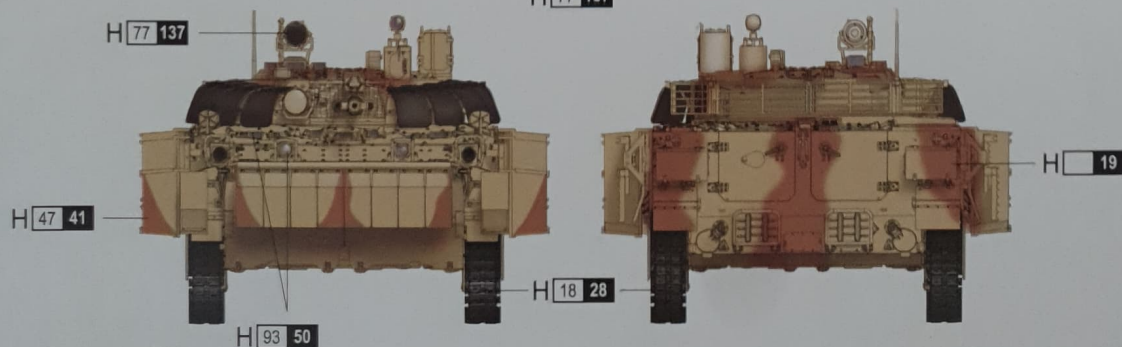
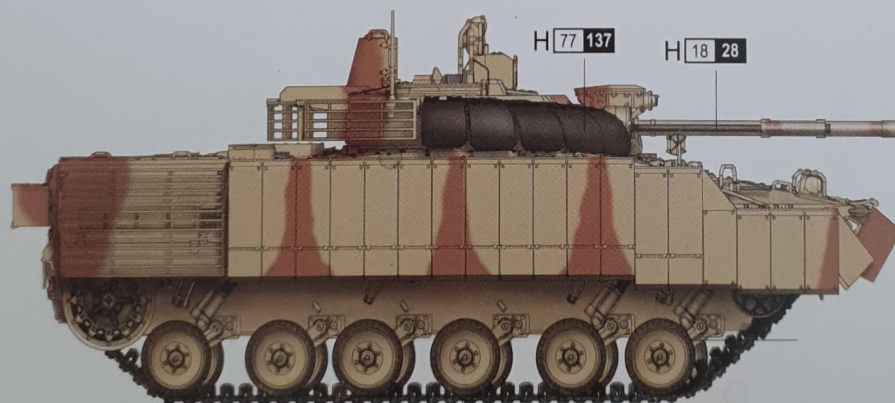
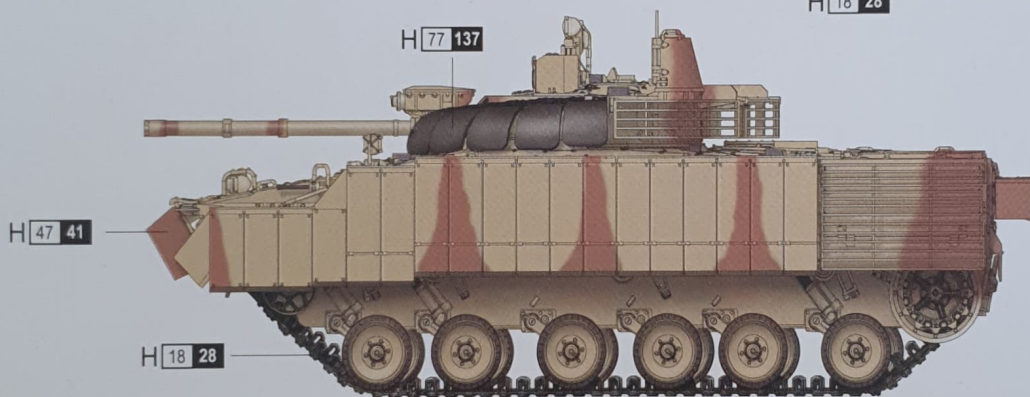
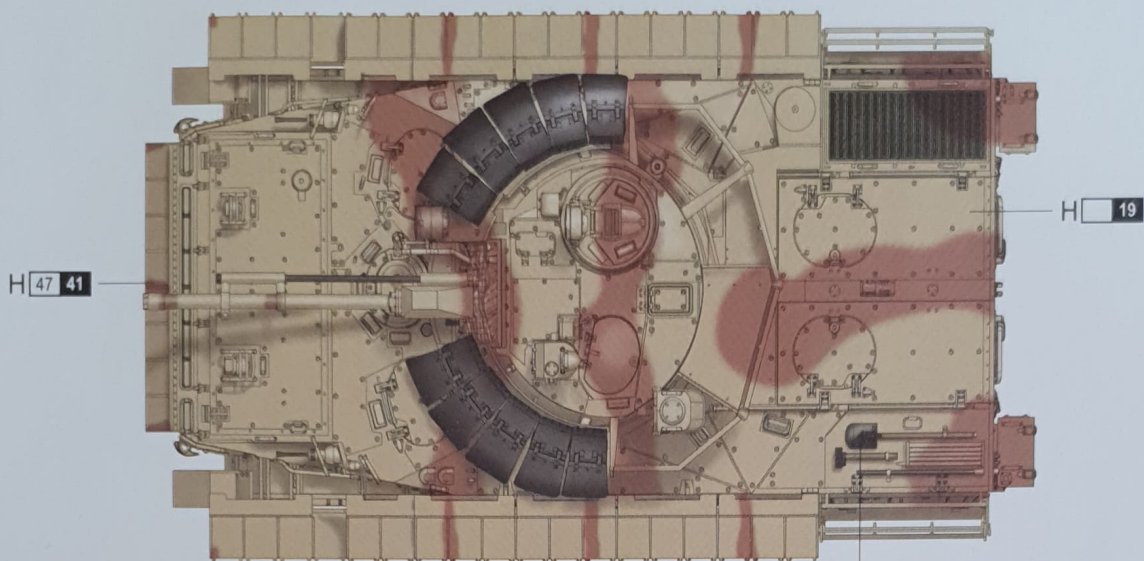
17



涂装同标贴指示
Painting & Marking guide

PAINT REFERENCE COLOUR

Color	Mr.Hobby	Vallejo	Model Master	Tamiya	Humbrol
Sandy Brown 沙褐色	H 19	—	—	—	—
Steel 黑铁色	H 18 28	864	1402	—	—
Red Brown 红棕色	H 47 41	984	—	XF64	160
Tire Black 胎黑色	H 77 137	—	—	—	—
Clear Blue 透明蓝	H 93 50	938	—	X23	—



H X AQUEOUS HOBBY COLOR

X Mr. COLOR