

Bf109K-4

HC1539 • 1:48 • "Last of the Last" 109

Kit features: detailed cockpit • landing gear • precise moldings • authentic markings.

Particularités du kit: • l'intérieur détaillé • train d'atterrissage très détaillé • moulage précis • les marques authentiques.

Caratteristiche del modello: • carlinga dettagliata e carrello di atterraggio • dettagli incisi • decals autentici.

Der Bausatz enthält: • detailliertes Cockpit und Fahrwerk • fein eingravierte Details • authentische Abziehbilder.

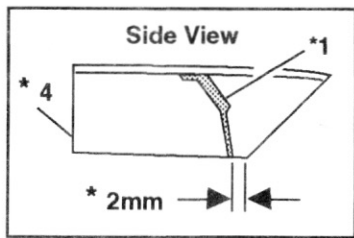
Características del kit: • se detallan la cabina del piloto y el aterrizador • marcas auténticas.

COLOR	FLOQUIL CLASSIC**	HUMBROL**	TESTORS MODELMASTER**
Dark Gray RLM 74	Ger. Dk. Gray 74 303247	Matt Tank Gray 67*	Gunship Gray 1723*
Gray Violet RLM 75	Ger. Gray Violet 75 303249	Matt Sea Gray 27*	Medium Gray 1721*
Light Blue-Gray RLM 76	Ger. Lt. Blue 76 303251	Hellgrau 76 175*	Lt. Ghost Gray 1728*
Brown Violet RLM 81	Ger. Brn. Violet 81 303263	Matt Leather 62*	Wood 1735*
Dark Green RLM 82	Ger. Dk. Green 82 303265	Matt Dark Green 30*	Euro I Dk. Green 1764*
Sky Green RLM 84	Ger. Sky Green 84 303268	Hellgrau 76 175*	Lt. Ghost Gray 1728*
Dark Green RLM 71	Ger. Dk. Green 71 303243	Matt Dark Green 30*	Euro I Dk. Green 1764*
Luftwaffe Yellow RLM 04	Yellow 303269	Insignia Yellow 154	Insignia Yellow* 1708

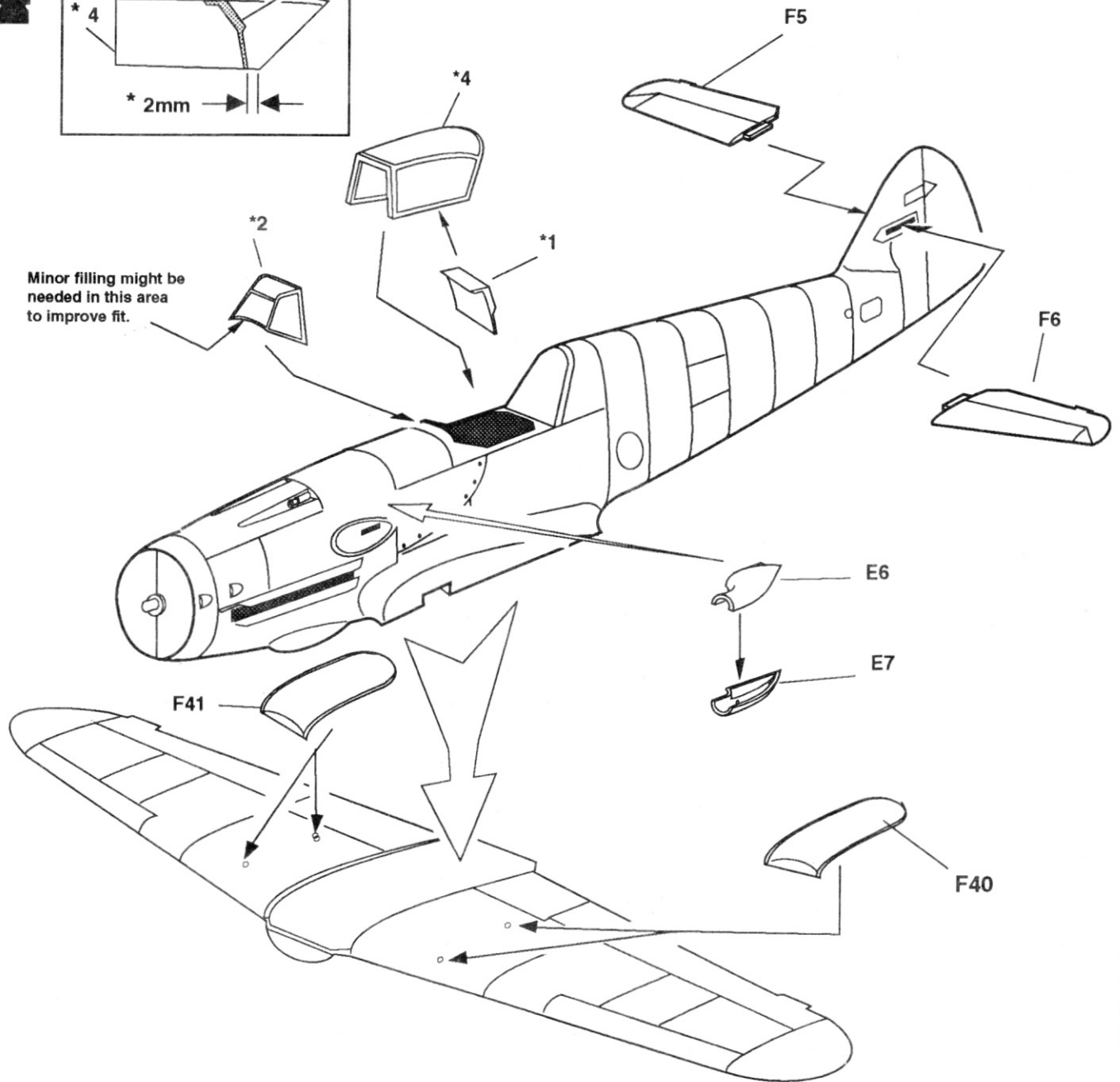
*Approximate Match. **Some paints may not be available in your country. Please check with your local hobby shop for substitute colors.

 cyanoacrylate glue collier cyanoacrylate Cyanoacrylate kleben incollare cyanoacrylate pegar cyanoacrylate	 cut couper schneiden tagliare cortar	 bend plier sich biegen plegare doblar	 file / sand poncer verspachteln levigare lijar	 weight à lester Gewicht zavorra lastre	 drill or pierce percer bohren forare agujerear	 two deux zwei due dos
 painting instructions mode d'emploi Anleitungen der Farben istruzioni per la verniciatura instrucciones sobre la pintura	 caution! attention! vorsichten! attenzione! atención	 alternative en option Alternativ alternativo alternativa	 cement colier kleben incollare pegar	 paint peindre bemalen vernicciare pintar	 decal decalcomania Abziehbild decalcomania calcomanias	 no! no! nein! no! ¡no!

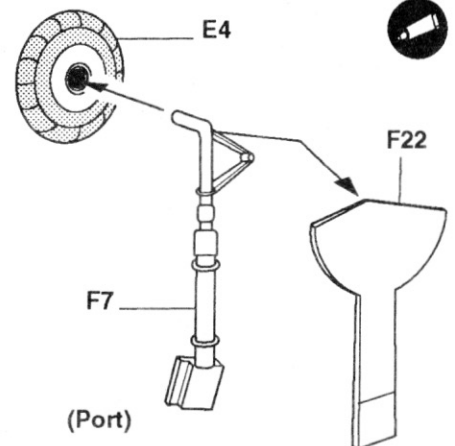
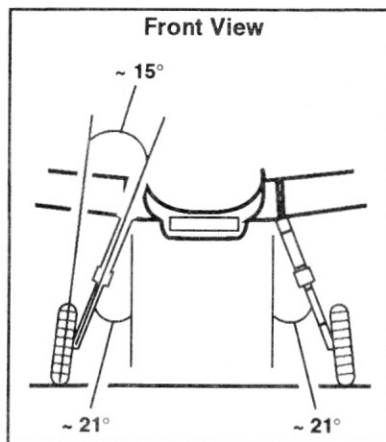
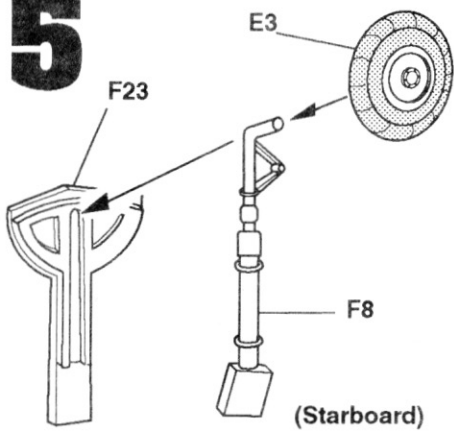
4



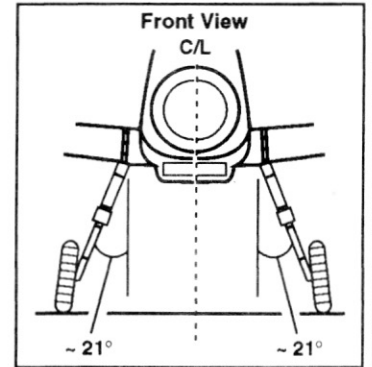
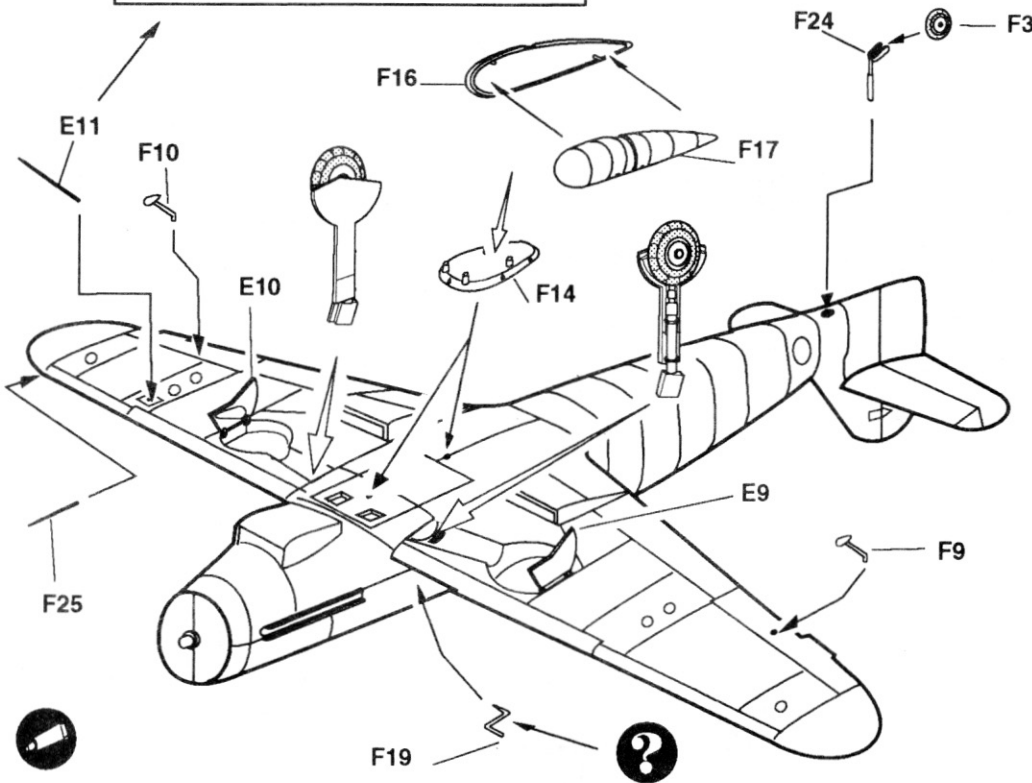
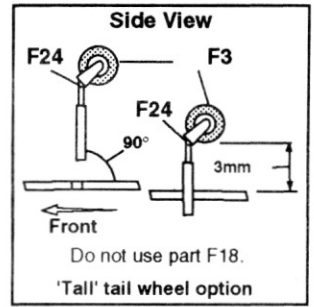
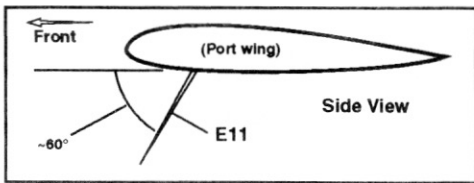
Minor filling might be needed in this area to improve fit.



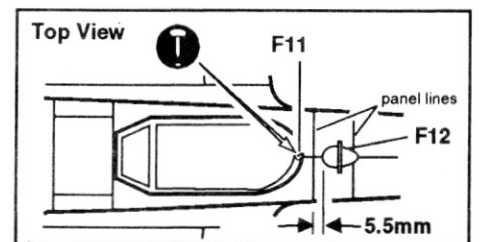
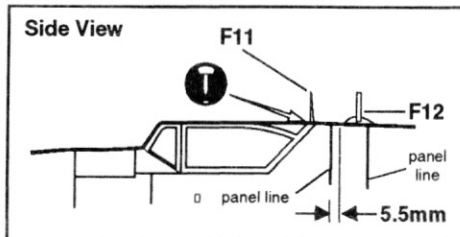
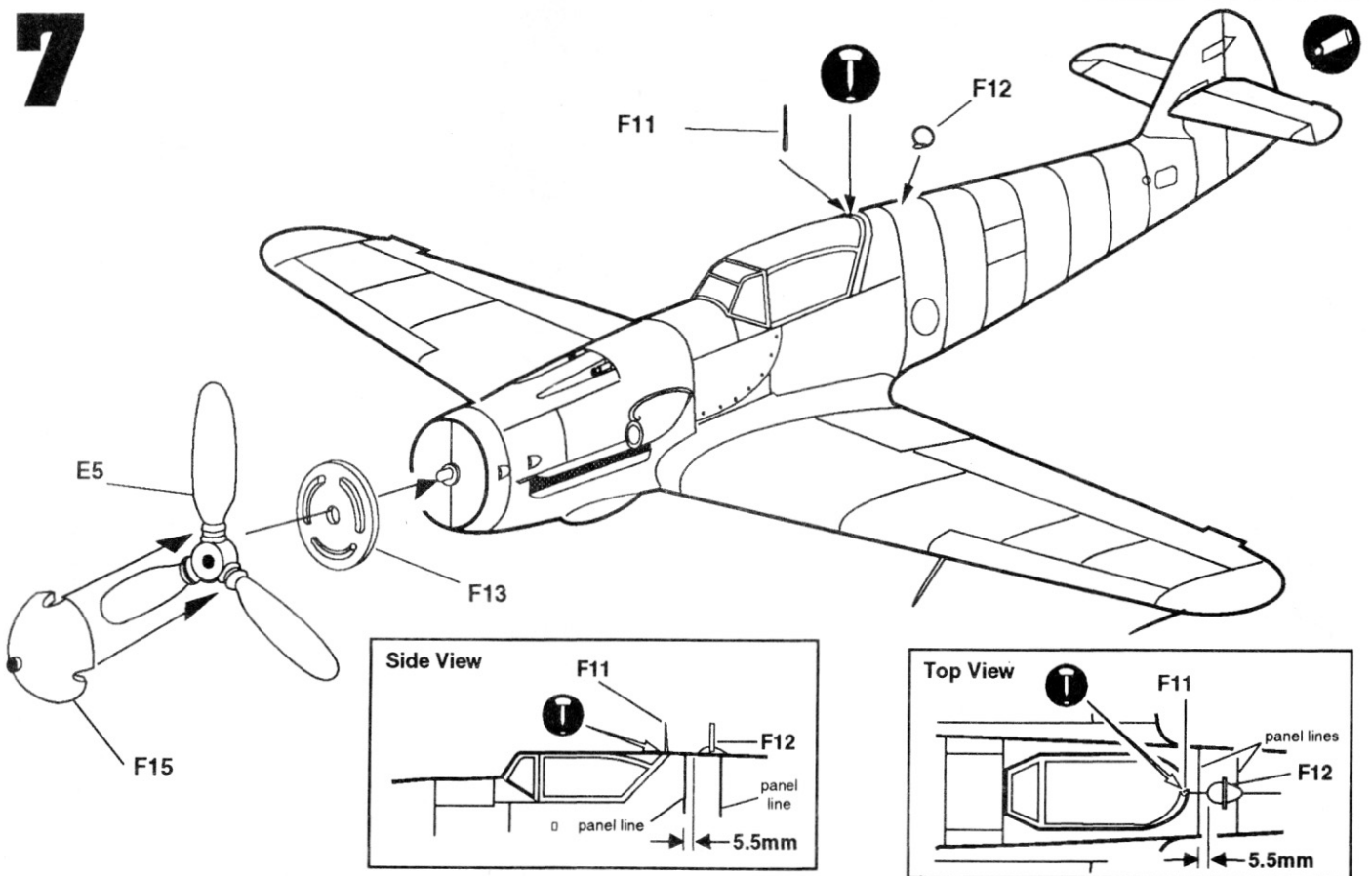
5



6



7

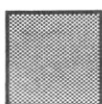


Bf109K-4

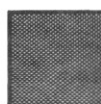
Markings • Appliques



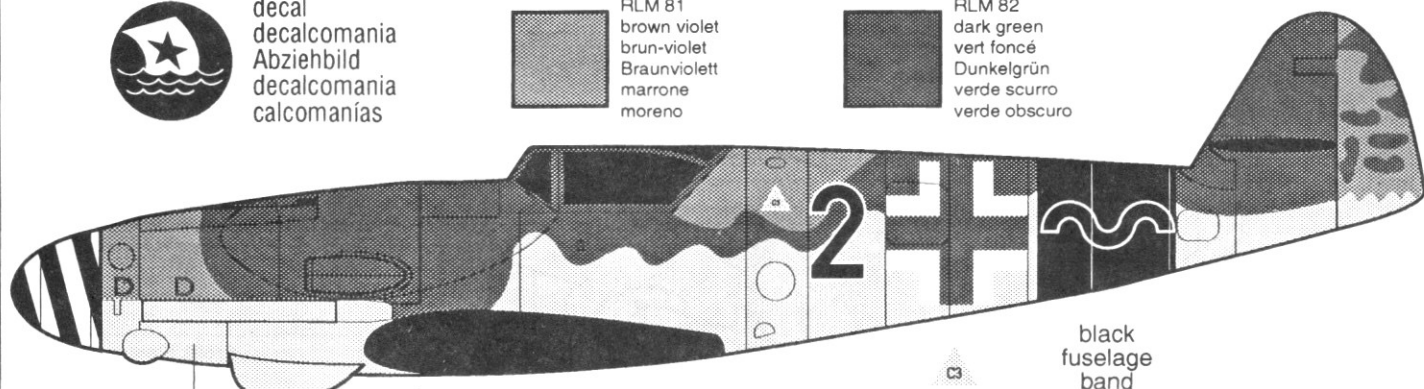
decal
decalcomania
Abziehbild
decalcomania
calcomanías



RLM 81
brown violet
brun-violet
Braunviolett
marrone
moreno

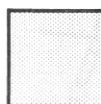


RLM 82
dark green
vert foncé
Dunkelgrün
verde scuro
verde obscuro



black
fuselage
band

Bf 109K-4, 14./JG 53, 1945 ("Black 2")

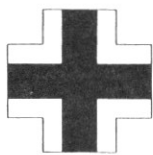


RLM 76 or RLM 84
light gray
gris clair
Hellgrau
grigio chiaro
gris claro

RLM 84
sky green
vert clair
Hellgrün
verde chiaro
verde claro



paint
peindre
bemalen
verniciare
pintar



"Black 2" &
"Yellow 4"
only!



RLM 21
white
blanc
Weiß
bianco
blanco



RLM 22
black
noir
Schwarz
negro
negro



green
fuselage
band

**Some details
omitted for
clarity**

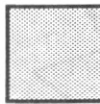
Bf 109K-4, 11./JG 27, 1945 ("Yellow 1")

Bf109K-4

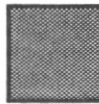
Markings • Appliques



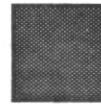
paint
peindre
bemalen
verniciare
pintar



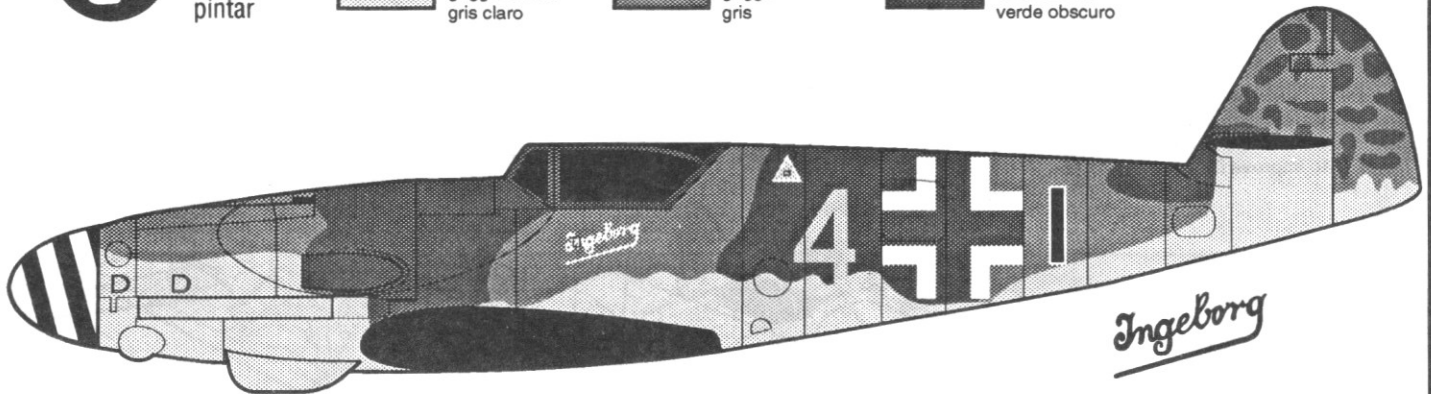
RLM 76
light gray
gris clair
Hellgrau
grigio chiaro
gris claro



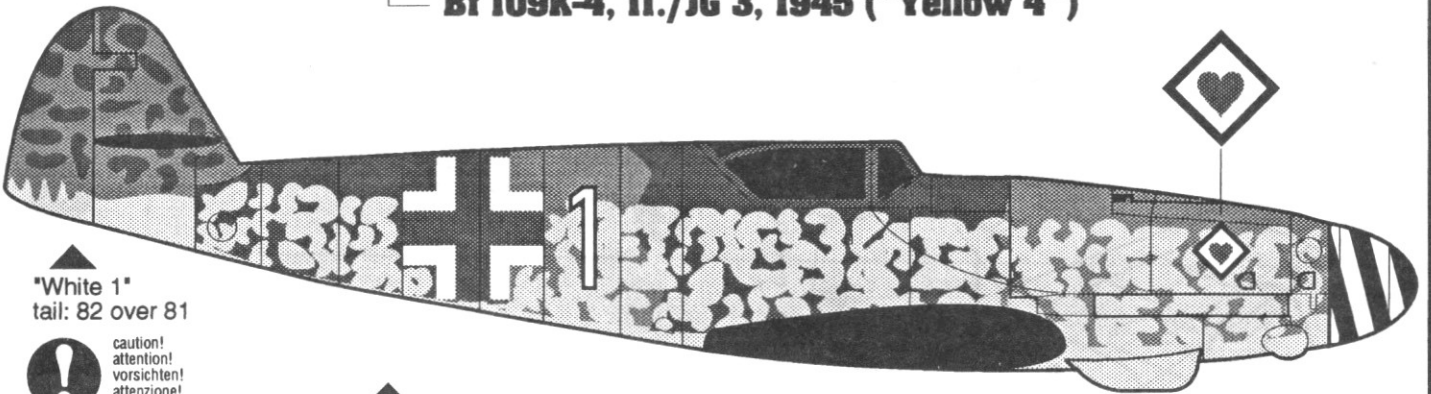
RLM 75
gray
gris
Grau
griggio
gris



RLM 82
dark green
vert foncé
Dunkelgrün
verde scuro
verde oscuro



↑ Bf 109K-4, II./JG 3, 1945 ("Yellow 4")

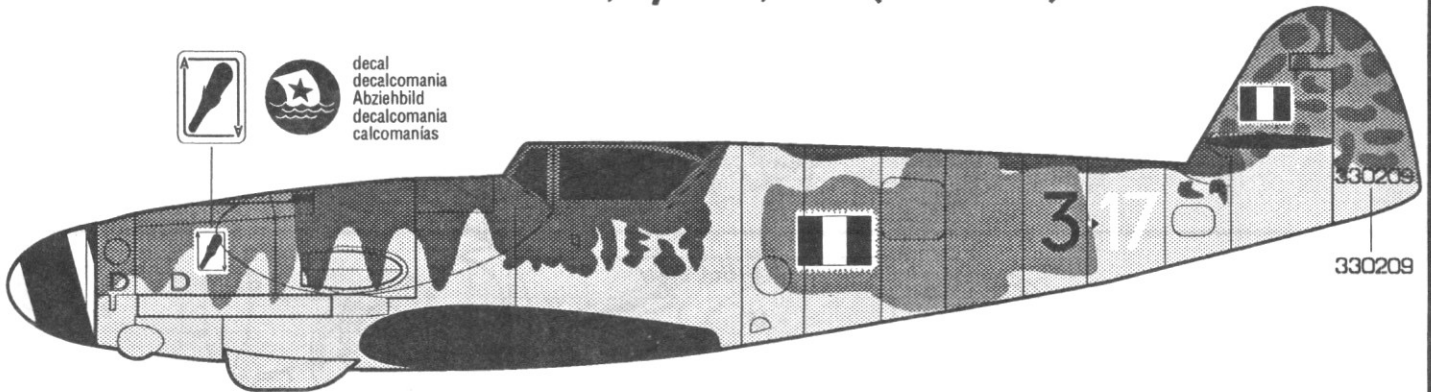


"White 1"
tail: 82 over 81



caution!
attention!
vorsichten!
attenzione!
atención

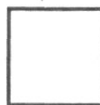
↑ Bf 109K-4, I./JG 77, 1945 ("White 1")



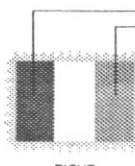
decal
decalcomania
Abziehbild
decalcomania
calcomanias

↑ Bf 109K-4, Italy (ANR), 3^o Sq., 1^o Gr.C. 1945

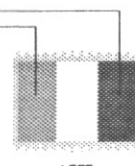
RLM 22
black
noir
Schwarz
negro
negro



RLM 21
white
blanc
Weiß
bianco
blanco



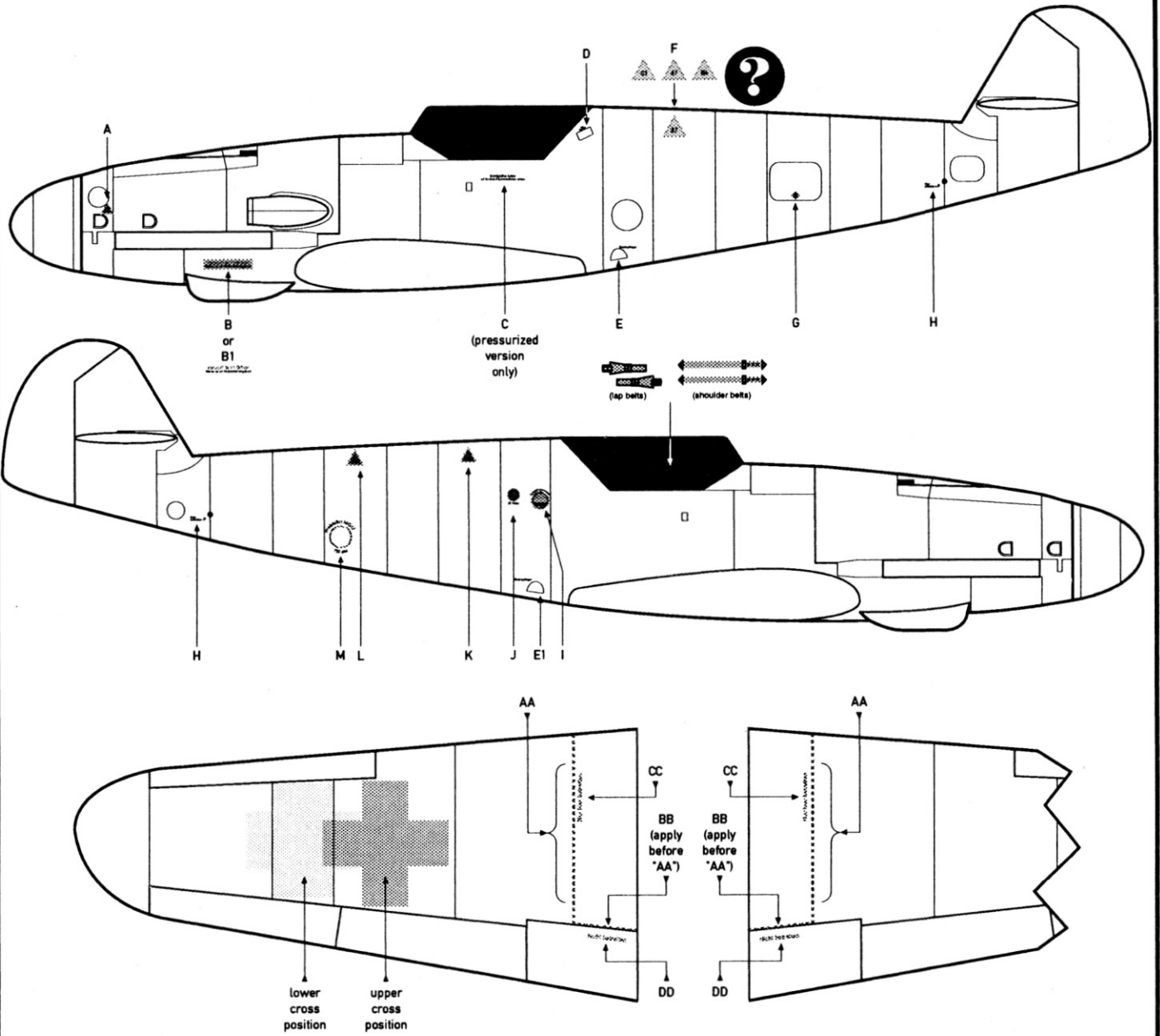
RIGHT
FWD



LEFT
FWD

Bf109G/K

Stencil Applications



©1994 Hobbycraft™ Canada • Bf 109 G/K Stencils (all marks)

Legend for stencil applications:

- B**: [Symbol]
- B1**: [Symbol]
- C**: [Symbol]
- D**: [Symbol]
- E1**: [Symbol]
- F**: [Symbol]
- G**: [Symbol]
- H**: [Symbol]
- J**: [Symbol]
- K**: [Symbol]
- M**: [Symbol]
- AA**: [Symbol]
- BB**: [Symbol]
- CC**: [Symbol]
- DD**: [Symbol]
- lap belts**: [Symbol]
- shoulder belts**: [Symbol]

Additional text in legend:

- Nur hier betreten
- Nur hier betreten
- Nicht betreten
- Nicht betreten