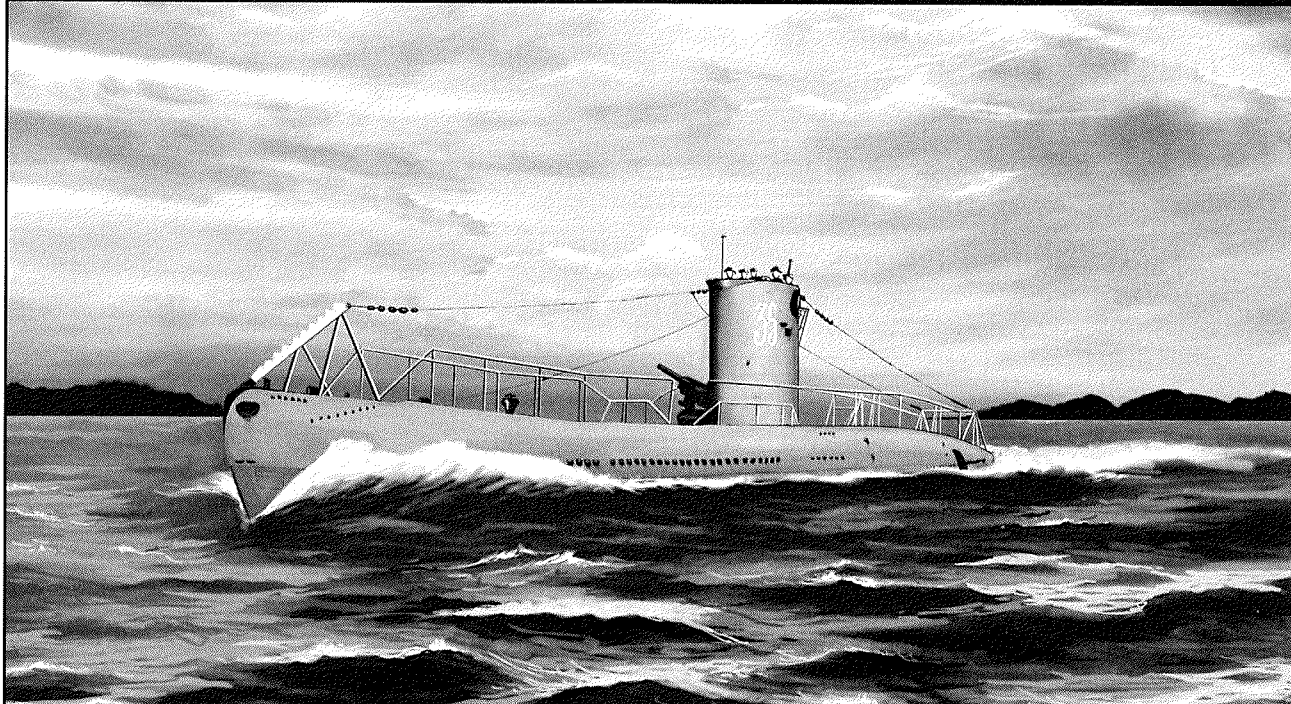


1/350 Scale

ITEM No.:83503



DKM Type VII-A U-Boat

ドイツ海軍 Uボート VII-A

德国海军VII-A型U艇

PLEASE READ BEFORE OPERATION!

- * Tools recommended as below: (Not included)
Adhesives; Paints; Side Cutters; Sharp Edged Pliers; Modeling Knife; Modeling File; Nippers; Drill; Scissors; Sand Paper; Soft Cloth; Cyanoacrylate Glue.
- * Make sure to read this instruction listed below before assembling.
- * The kit contains the small parts, they can be dangerous if swallowed by mistake, so keep them away from reach of children.
- * Cut the all parts off carefully and remove the waste parts into the garbage can.
- * More caution and care should be needed for cutting and handling the photo etched parts.
- * Make attention that some parts should be attached the decal when assembled.
- * During assembling, please tear up and throw away the plastic bags, or may cause the dangerous if wearing over head by children's mistake.
- * When using the adhesives and paints, please do not use them in the closed room or near the fire, also must be very careful to protect your eyes, face and clothes.
- * Adult supervised when assembled by children under 14 years old.

装配前请仔细阅读:

- * 推荐使用的模型工具(请自备):
专用模型胶水, 专用模型油漆, 水口剪刀, 长咀钳, 刀片, 锉刀, 镊子钳, 钻, 剪刀, 软布, 砂纸, 瞬间快干胶等。
- * 用水口剪刀或刀片小心切下所有塑胶零件和蚀刻片零件, 不要遗失小零件。
- * 切取蚀刻片时应特别注意防止利边划伤手指。
- * 用模型锉刀小心锉平所有零件表面的注射浇口。
- * 用适量的强力快干胶水粘合蚀刻片零件和金属轴, 切忌过量, 否则可能导致可动零件被粘住。
- * 注意某些零件表面需在装配时同步贴上水贴纸。
- * 制作时应远离幼儿并将包装袋及时收妥, 谨防小孩玩耍而引起意外。



cyanoacrylate glue
强力胶



weight
配重



make hole
钻孔



cut / remove
切除



option
选择



no cement
不涂胶水



decal
贴纸



bend
弯曲



repair
填补

The method to apply the decals

1. Cut off the decal from the decal paper and put it into the warm water 40°C for 10 seconds.
2. Take the decal from the water and put it on a piece of clean cloth.
3. Remove the decal slowly from the paper to the targeted location by a wet finger.
4. Use a piece of dry and soft cloth to press it gently on the decal until it getting dry and no bubble existing.

水贴纸的使用方法:

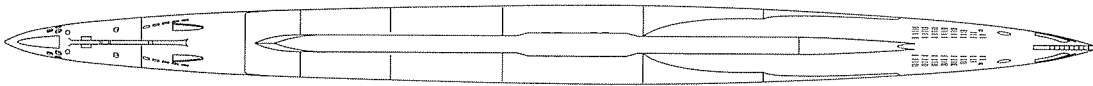
- 一. 把相关的印花从水贴纸上剪下, 放入40°C左右的温水中浸10秒。
- 二. 然后将印花放在干净的布上。
- 三. 拿上印花纸, 手指蘸水将印花移到适当的位置。
- 四. 用软干布轻压印花直至水干, 气泡消失。

部品图 Parts

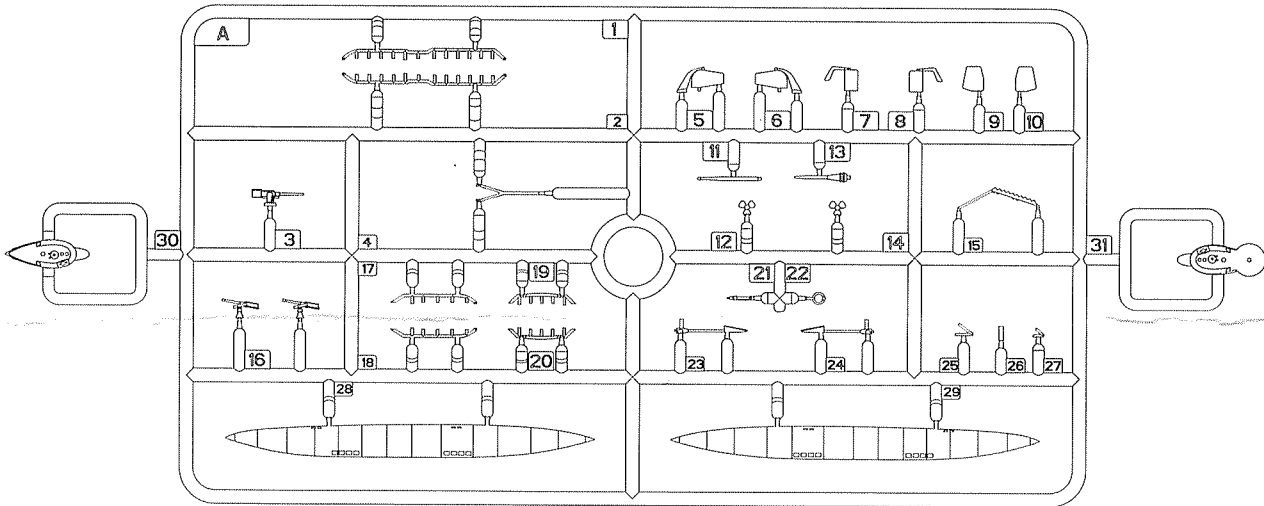
《上艇体》
Upper hull



《下艇体》
Lower hull

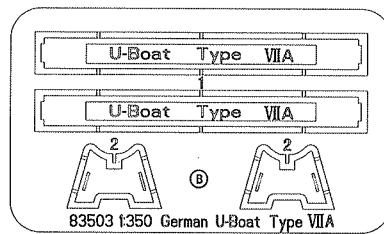


A



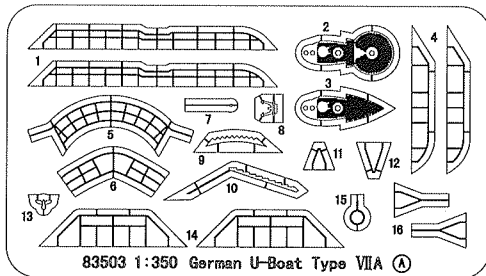
《蚀刻片》B

Photo etched parts B

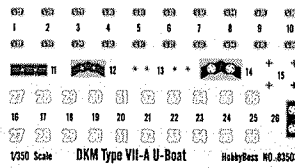


《蚀刻片》A

Photo etched parts A

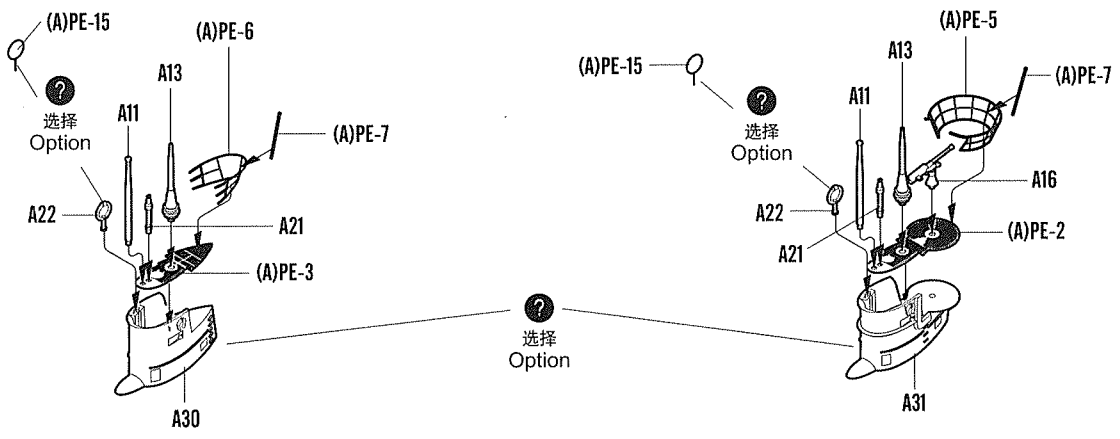


《水贴纸》
Decal



1/350 Scale DKM Type VII-A U-Boat HobbyBoss NO.83503

1
STEP



《上艇体》
Upper hull

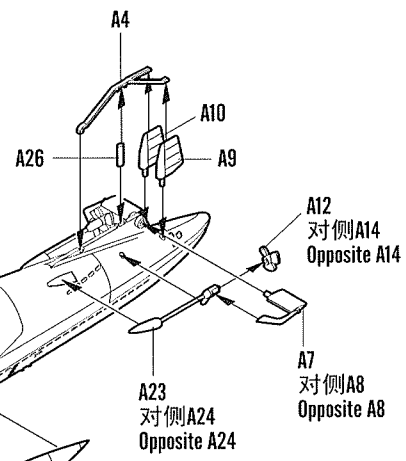
选择 Option
钻孔 Make hole

《上艇体》
Upper hull

《下艇体》
Lower hull

选择 Option
切除 Cut / Remove

(A)PE-9

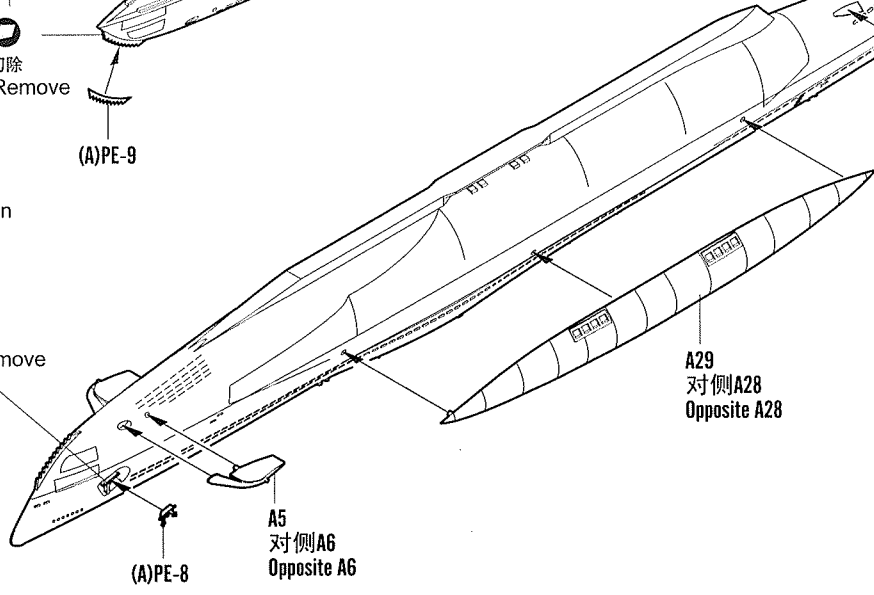


选择 Option
切除 Cut / Remove

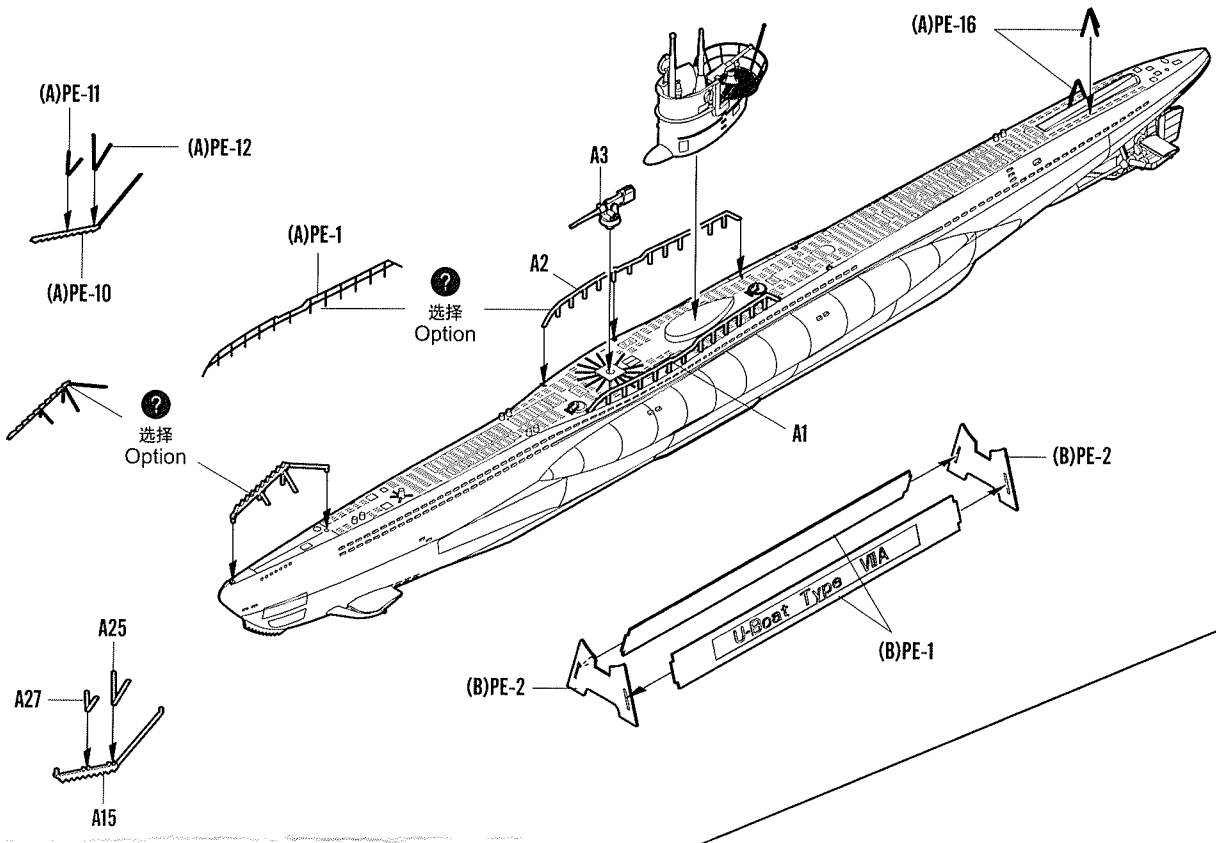
(A)PE-8

A5 对侧A6 Opposite A6

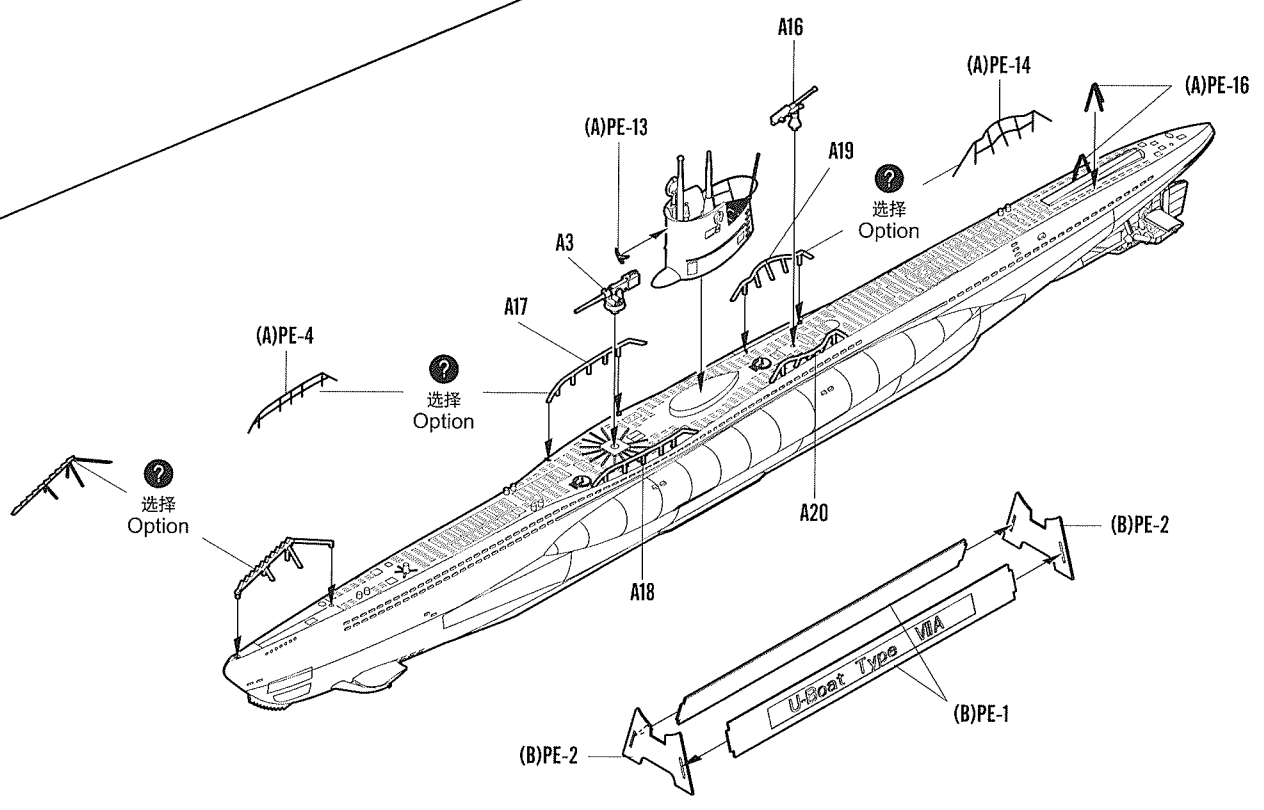
A29 对侧A28 Opposite A28



2
STEP



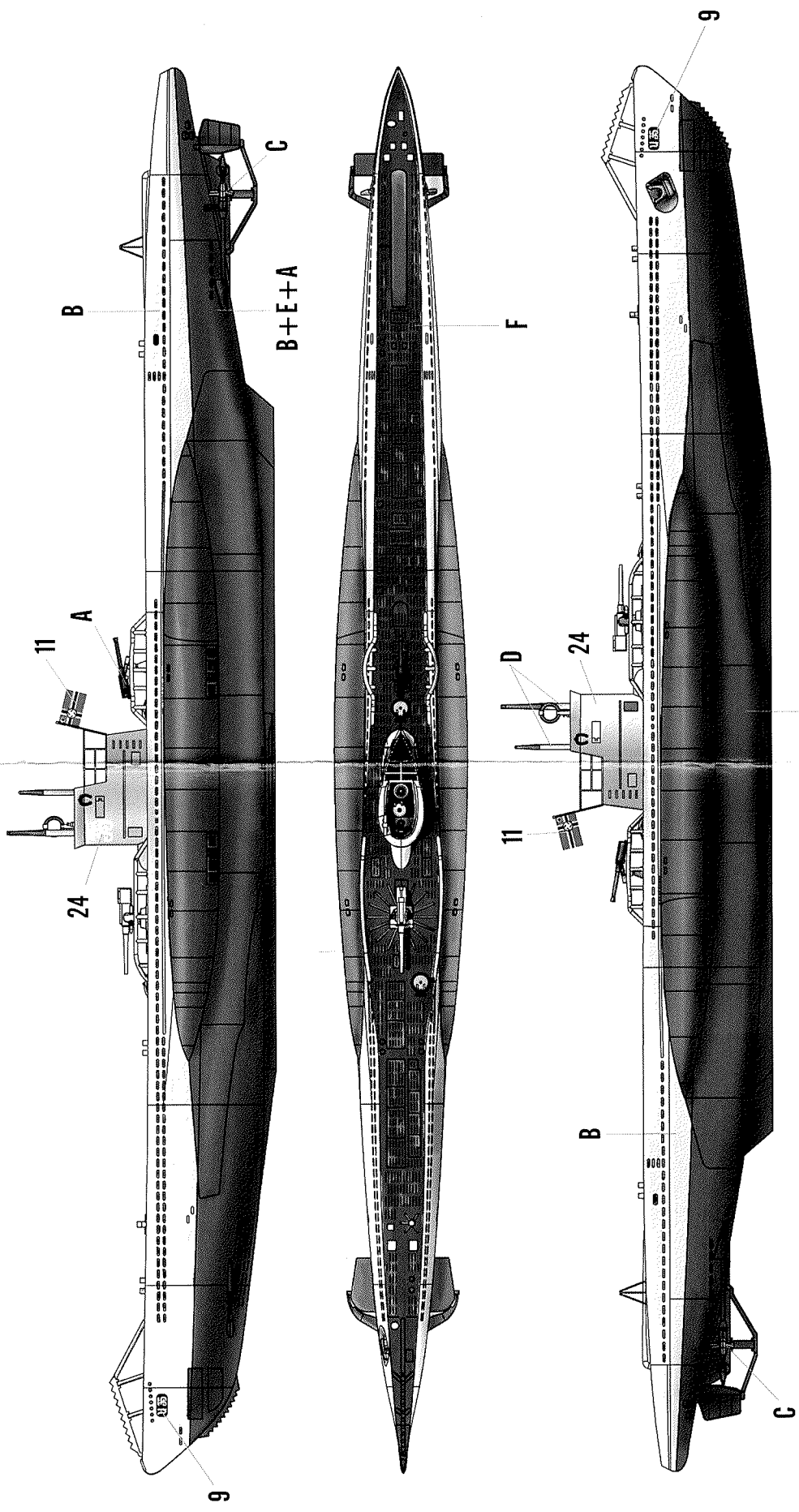
选择 Option



DKM Navy Type VII-A U-Boat
ドイツ海軍UボートVII-A 德国海軍U-7A型潜艇



I



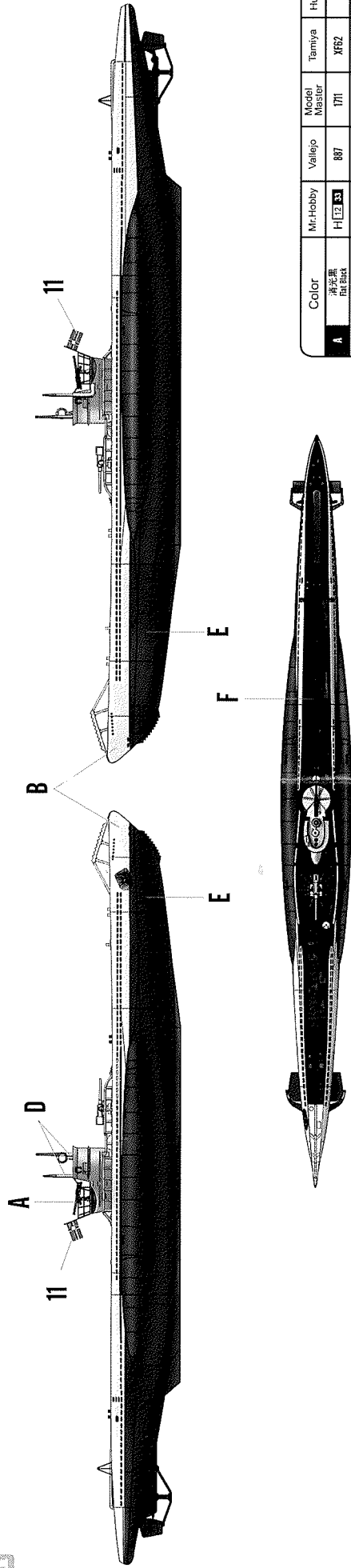
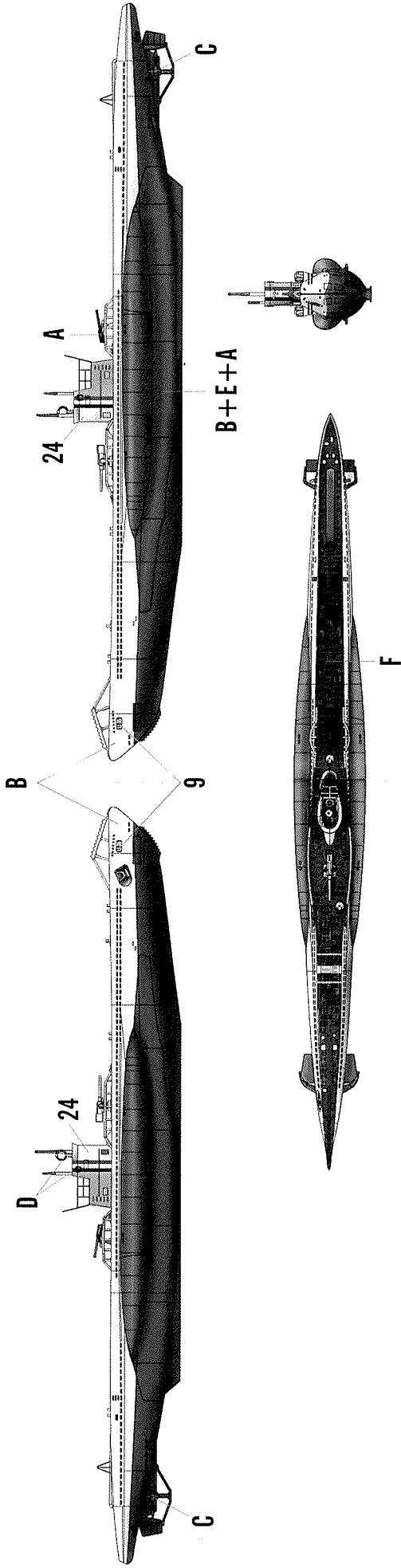
Color	Mr.Hobby	Vallejo	Model Master	Tamiya	Humbrol
A 海軍黒 Ein Black	H[E]2 33	887	1711	XF62	155
B 灰色 Gray	H[E]3 303	990	1728	XF19	127
C 白色 White	H[E]3 3	878	1744	X12	16
D 銀色 Silver	H[E]3 14	997	1546	X11	11
E 灰青色 Grünblau	H[E]3 303	868	1723	XF38	125
F 海軍灰 Ein Grau	H[E]3 32	--	--	--	--

NO.:83503

※ Some paints may not be available in your country. Please check your local hobby shop for substitute

DKM Navy Type VII-A U-Boat

ドイツ海軍 Uボート VII-A 德国海軍U-7A型潜艇



Color	Mr.Hobby	Vallejo	Model Master	Tamiya	Humbrol
A 海灰色 Blue Grey	H133 133	887	1711	XF62	155
B 灰色 Grey	H103 103	990	1728	XF19	127
C 白色 White	H12 12	878	1744	X12	16
D 银色 Silver	H13 13	997	1546	X11	11
E 深灰色 Dark Grey	H103 103	868	1723	XF59	125
F 深海灰 Dark Blue Grey	H133 133	--	--	--	--

NO. 83503

※ Some paints may not be available in your country. Please check your local hobby shop for substitute